



US00D929251S

(12) **United States Design Patent**  
**Shah**

(10) **Patent No.:** **US D929,251 S**

(45) **Date of Patent:** **\*\* Aug. 31, 2021**

- (54) **PRECIOUS STONE SETTING**
- (71) Applicant: **KGS Jewels Inc.**, New York, NY (US)
- (72) Inventor: **Pranav Shah**, New York, NY (US)
- (73) Assignee: **KGS JEWELS INC.**, New York, NY (US)

D666,522 S *	9/2012	Dholakiya	.....	D11/91
D666,523 S *	9/2012	Dholakiya	.....	D11/91
D682,139 S *	5/2013	Kothari	.....	D11/91
D812,518 S *	3/2018	Yep	.....	D11/92
D849,594 S *	5/2019	Pereira	.....	D11/92
D851,534 S *	6/2019	Bhosale	.....	D11/91
D885,246 S *	5/2020	Shah	.....	D11/91
2019/0343248 A1 *	11/2019	Shah	.....	A44C 17/02

(\*\*) Term: **15 Years**

\* cited by examiner

(21) Appl. No.: **29/681,733**

*Primary Examiner* — Llorelys Martinez

(22) Filed: **Feb. 27, 2019**

(74) *Attorney, Agent, or Firm* — Ostrolenk Faber LLP

(51) **LOC (13) Cl.** ..... **11-01**

(57) **CLAIM**

The ornamental design for a precious stone setting, as shown and described.

(52) **U.S. Cl.**  
USPC ..... **D11/91**

**DESCRIPTION**

(58) **Field of Classification Search**  
 USPC ..... D11/1–6, 26, 34, 79, 86, 90, 91, 92  
 CPC ..... A44C 17/00; A44C 17/001; A44C 17/005;  
 A44C 17/02; A44C 17/0275; A44C  
 17/0283; A44C 17/0291; A44C 25/001;  
 A44C 1/00

FIG. 1 is a perspective view of a precious stone setting showing my new design;  
 FIG. 2 is top view thereof;  
 FIG. 3 is a front side view thereof, the rear, left side and right side views being identical thereto;  
 FIG. 4 is a bottom view of FIG. 1; and,  
 FIG. 5 is a vertical cross-sectional view thereof, taken along lines 5-5 in FIG. 2.

See application file for complete search history.

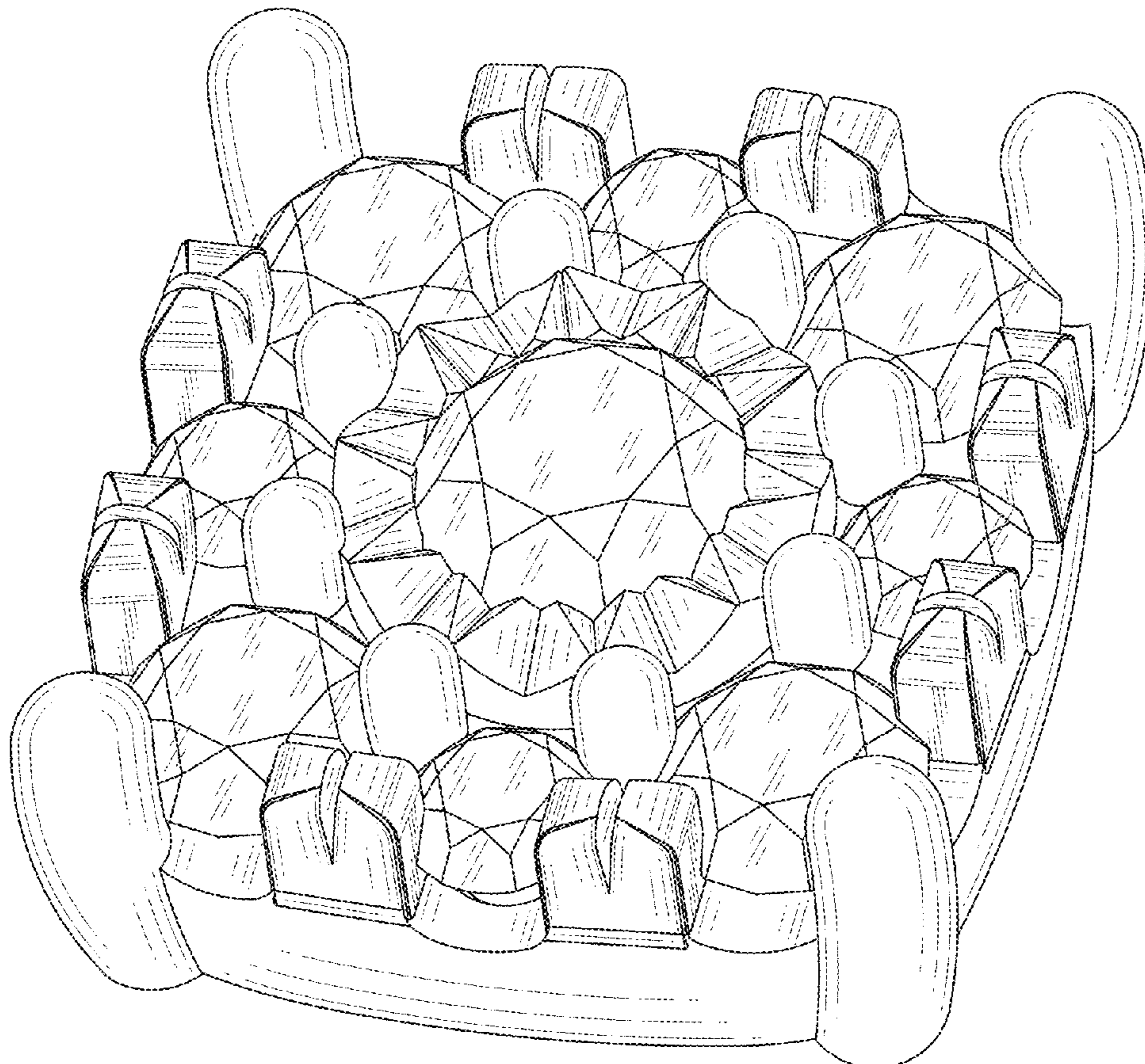
The broken lines in the drawings illustrate portions of the precious stone setting that form no part of the claimed design.

(56) **References Cited**

**U.S. PATENT DOCUMENTS**

D130,419 S *	11/1941	Schaeffer	.....	D11/92
D655,219 S *	3/2012	Kothari	.....	D11/91

**1 Claim, 5 Drawing Sheets**



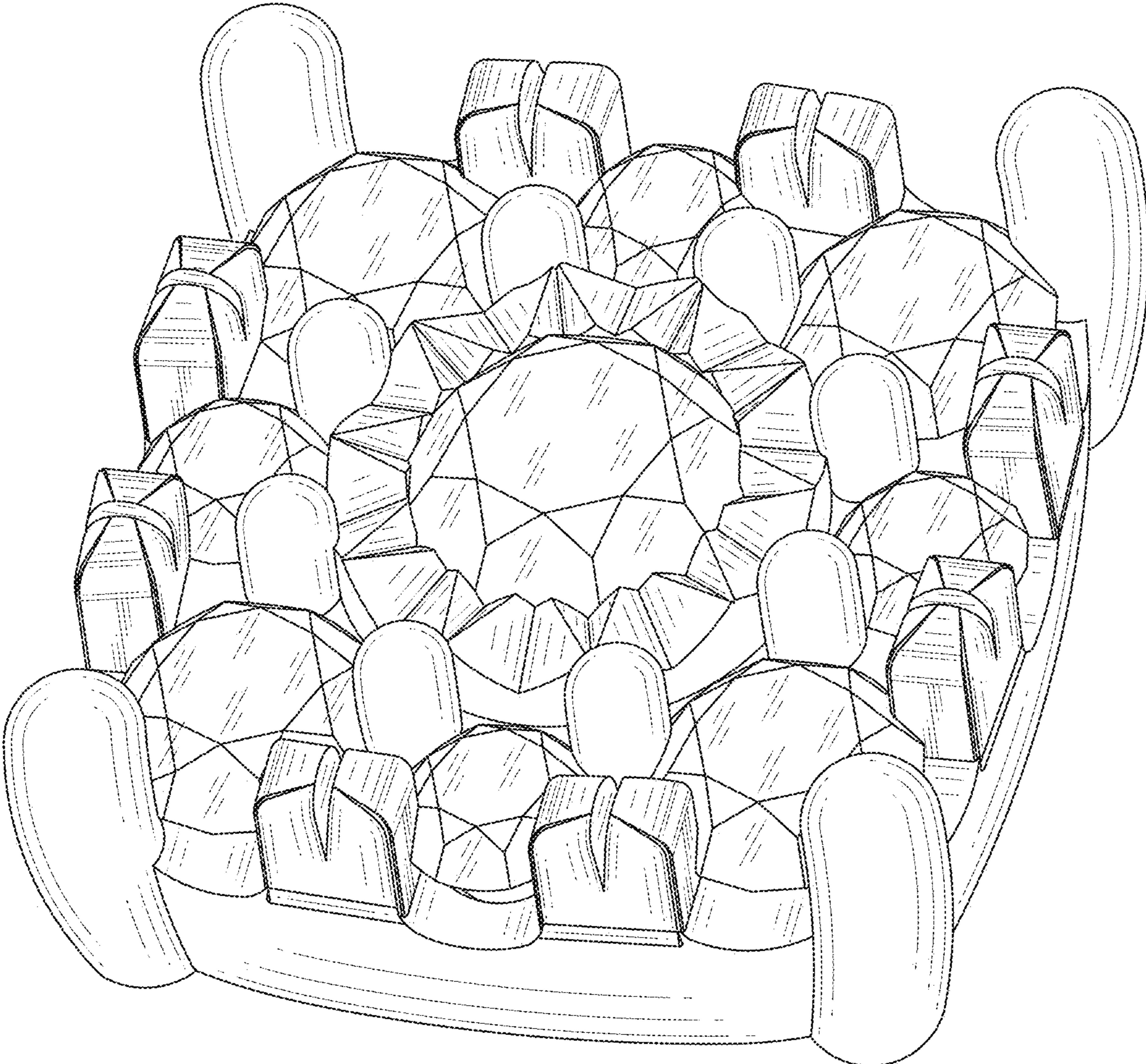


FIG. 1

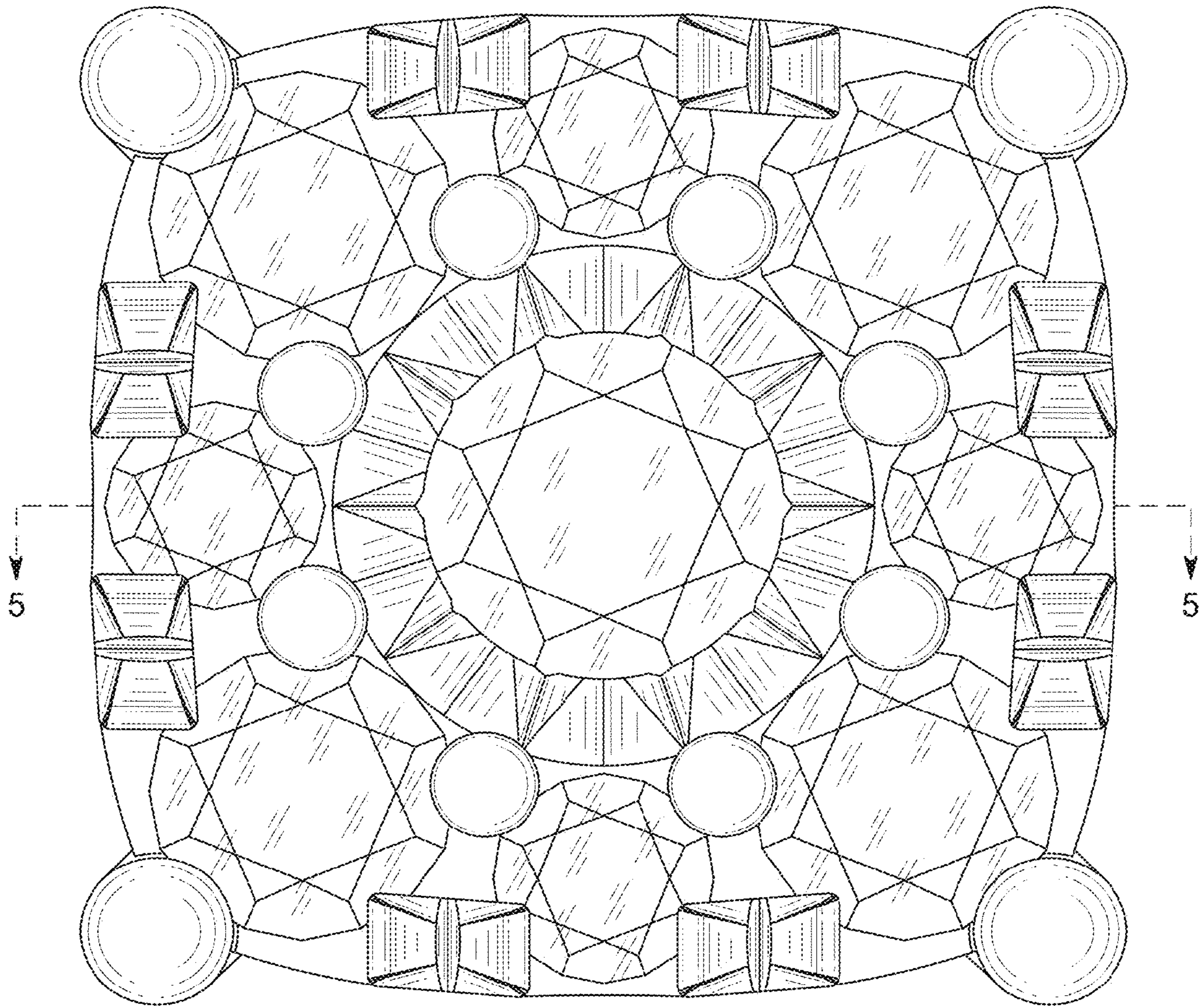


FIG. 2

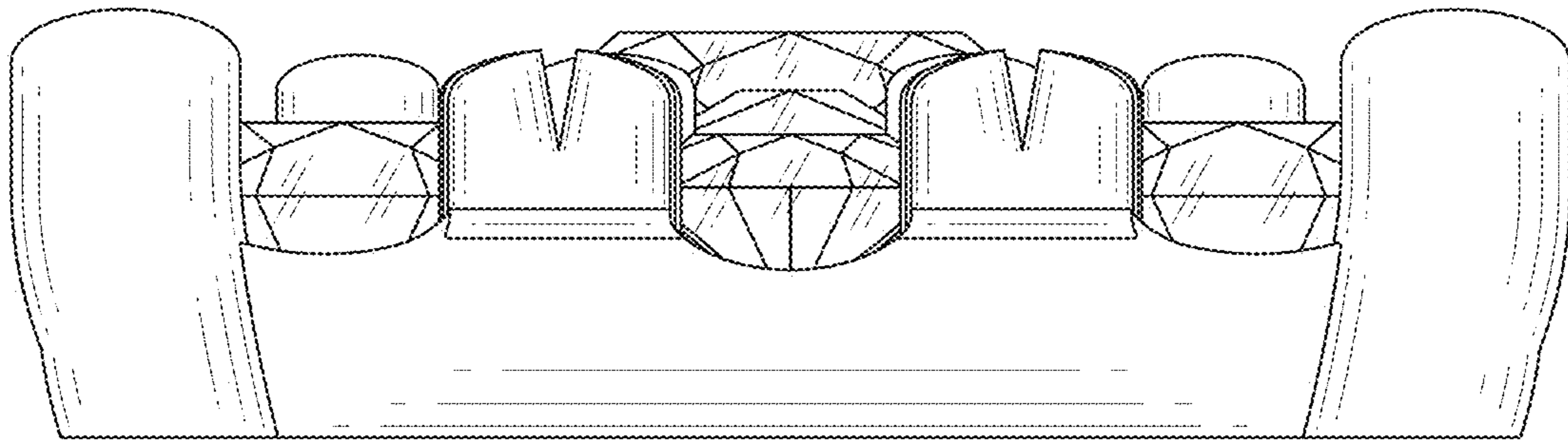


FIG. 3

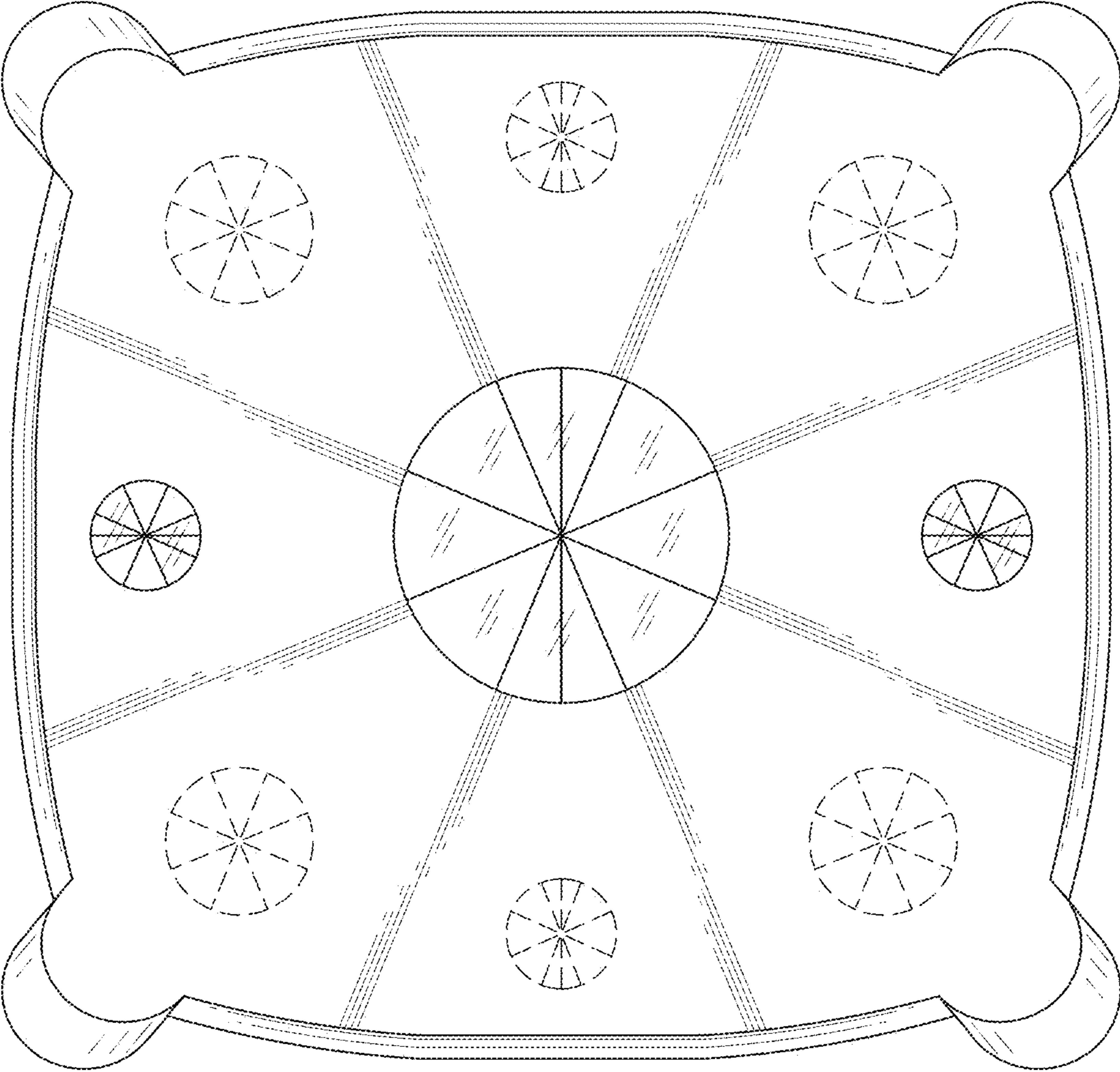


FIG. 4

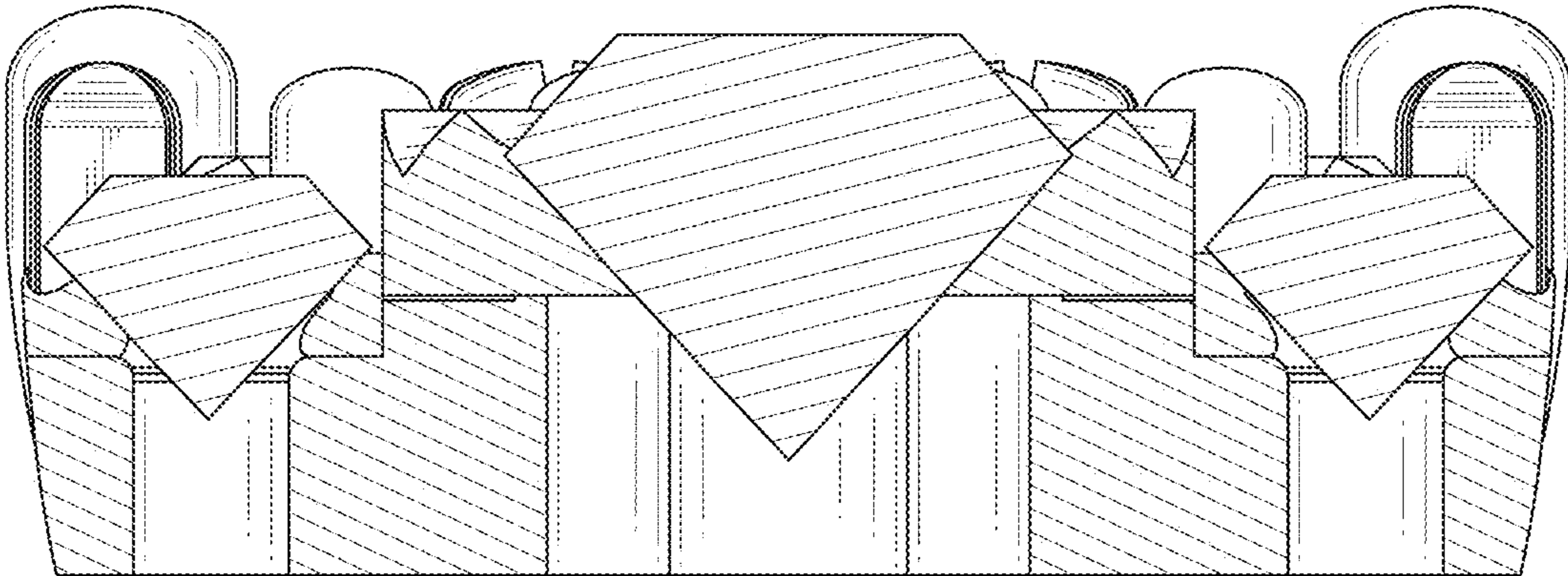


FIG. 5