



US00D929250S

(12) **United States Design Patent**  
**Han et al.**

(10) **Patent No.:** **US D929,250 S**

(45) **Date of Patent:** **\*\* Aug. 31, 2021**

(54) **WARNING LIGHT BAR**

(71) Applicant: **Senken Group Co., Ltd.**, Wenzhou (CN)

(72) Inventors: **Yingjie Han**, Wenzhou (CN); **Jian Han**, Wenzhou (CN); **Dong Wang**, Wenzhou (CN)

(73) Assignee: **Senken Group Co., Ltd.**, Wenzhou (CN)

(\*\*) Term: **15 Years**

(21) Appl. No.: **29/690,000**

(22) Filed: **May 3, 2019**

(51) **LOC (13) Cl.** ..... **10-05**

(52) **U.S. Cl.**  
USPC ..... **D10/114.4**

(58) **Field of Classification Search**  
USPC ..... D26/28-36, 139; D10/114.1, 114.4  
CPC ..... F21S 48/00; F21S 48/10; F21S 48/115;  
F21S 48/225; F21S 48/1233; F21S 48/1266; F21S 48/1388; F21S 48/2268;  
F21V 5/00; F21V 21/04; F21V 29/004;  
B60Q 9/13; B60Q 9/135; B60Q 9/1375  
See application file for complete search history.

(56) **References Cited**

U.S. PATENT DOCUMENTS

D658,526 S *	5/2012	Shin	.....	D10/114.4
D729,095 S *	5/2015	Chiang	.....	D10/114.4
D793,891 S *	8/2017	Deyaf	.....	D10/114.4
D795,114 S *	8/2017	Deyaf	.....	D10/114.4
D835,535 S *	12/2018	Deyaf	.....	D10/114.4

\* cited by examiner

*Primary Examiner* — Marcus A Jackson

(74) *Attorney, Agent, or Firm* — Cooley LLP

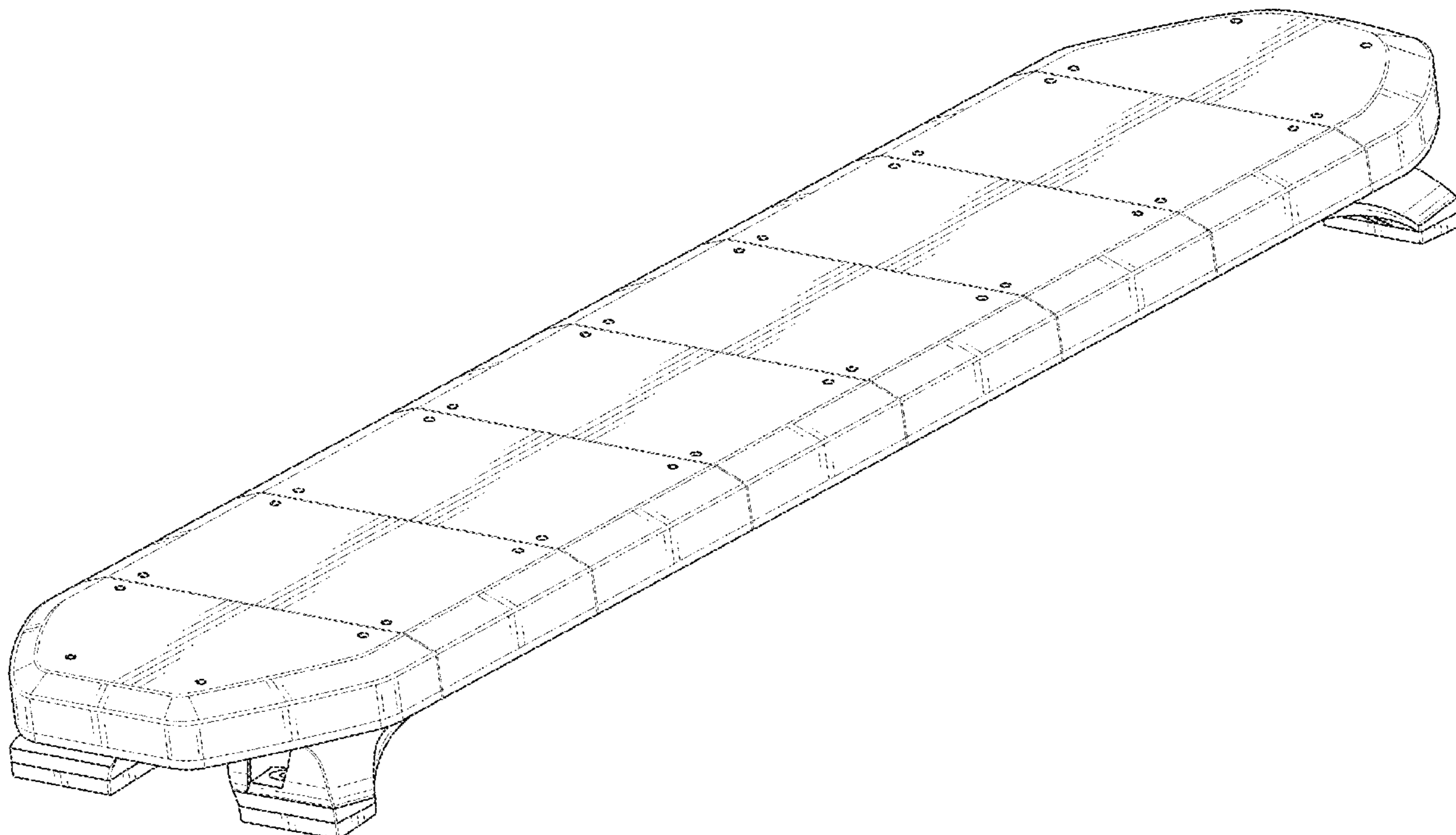
(57) **CLAIM**

The ornamental design for a warning light bar, as shown and described.

**DESCRIPTION**

FIG. 1 is a top perspective view of a warning light bar showing the new design;  
FIG. 2 is a bottom perspective view thereof;  
FIG. 3 is a top plan view thereof;  
FIG. 4 is bottom plan view thereof;  
FIG. 5 is a front view thereof;  
FIG. 6 is a rear view thereof;  
FIG. 7 is a left side view thereof; and,  
FIG. 8 is a right side view thereof.

**1 Claim, 8 Drawing Sheets**



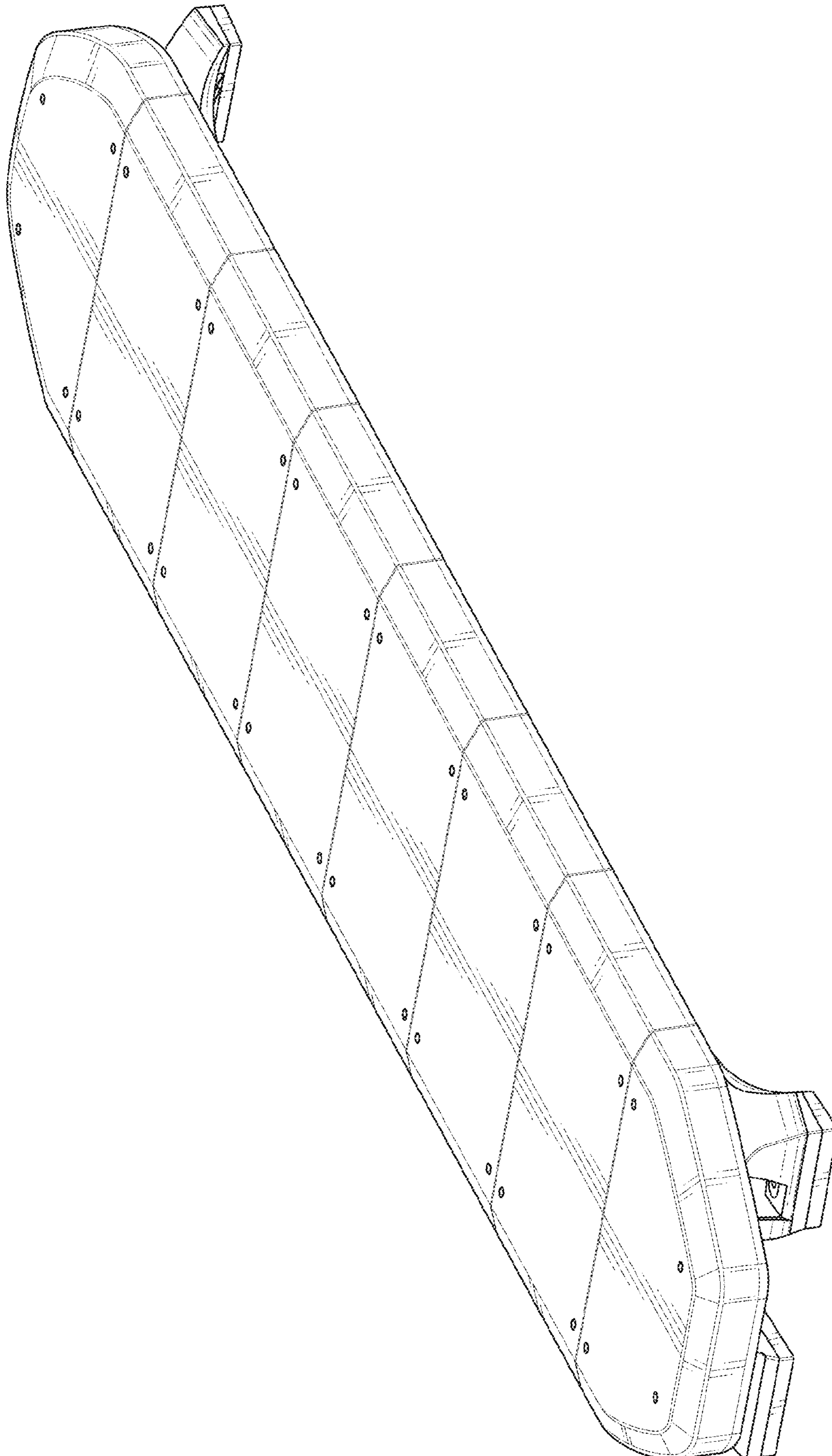


FIG. 1

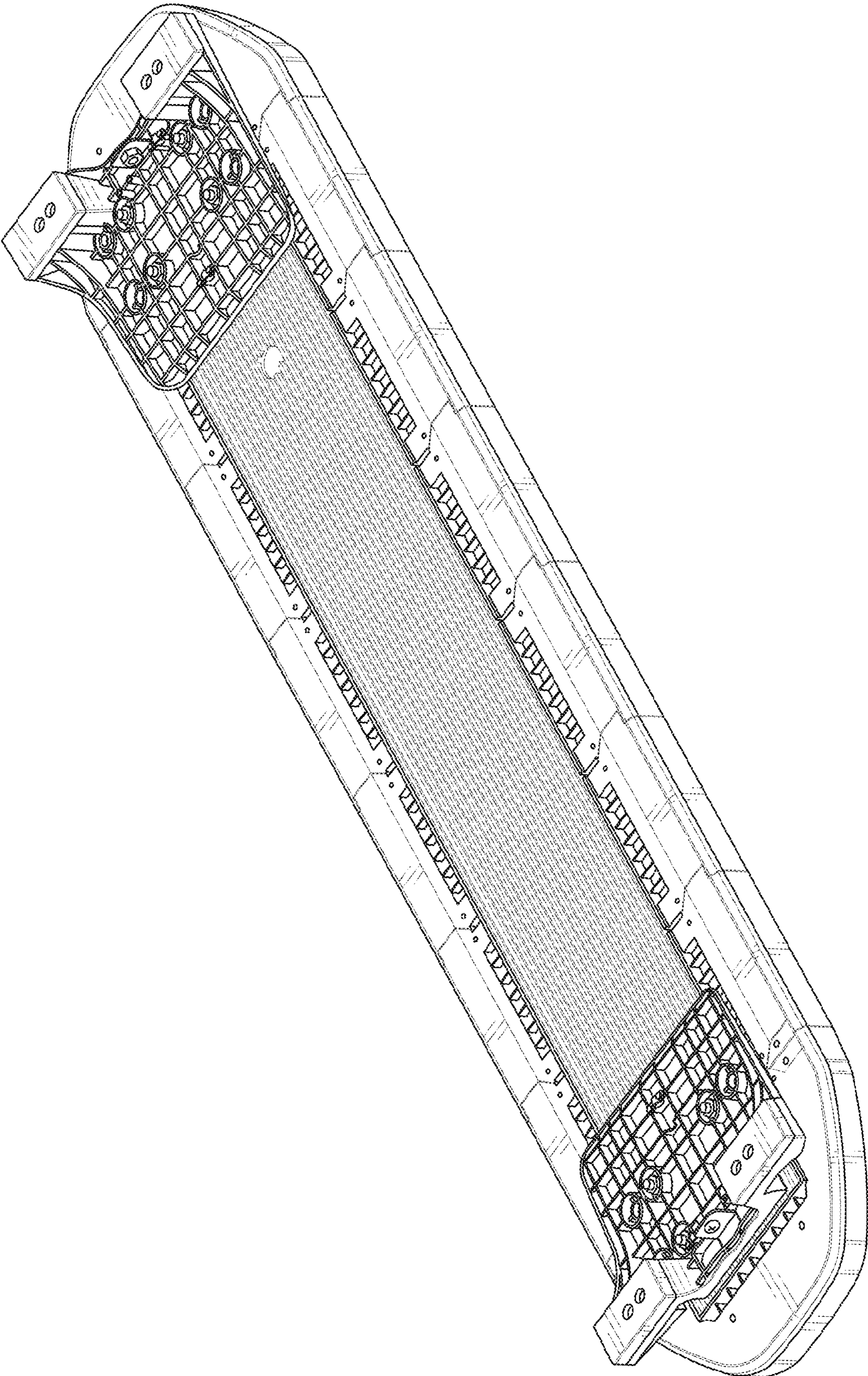


FIG. 2

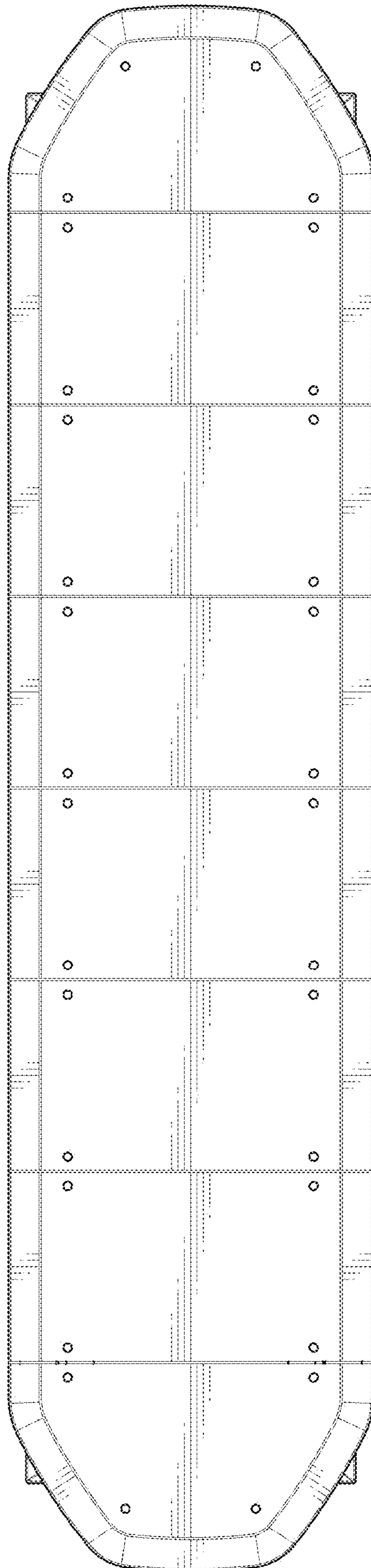


FIG. 3

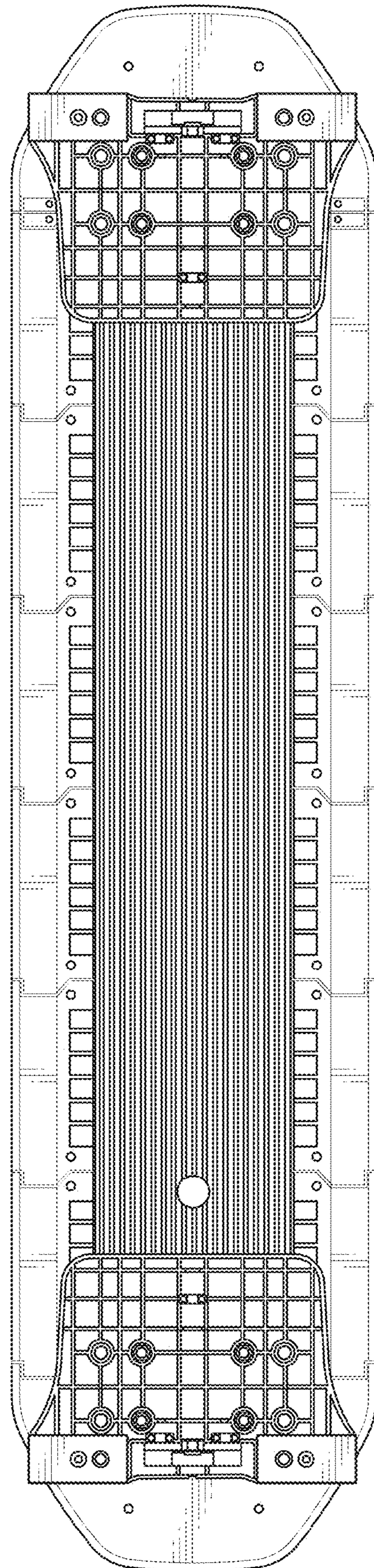


FIG. 4

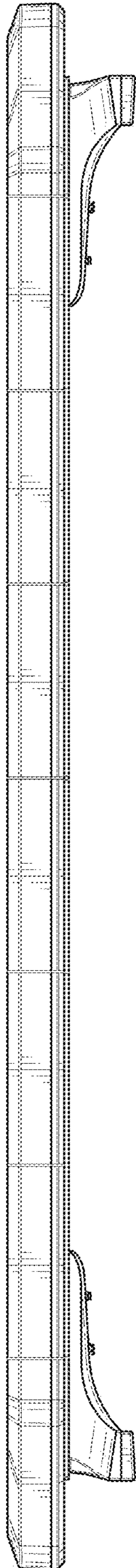


FIG. 5

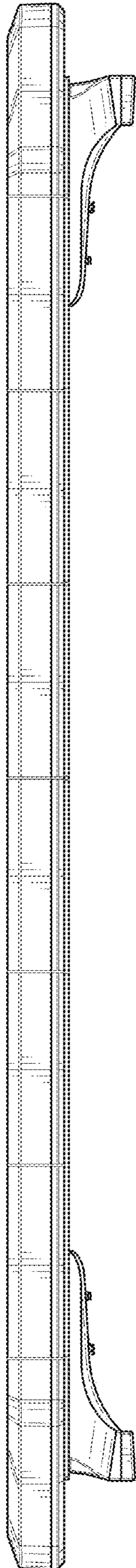


FIG. 6

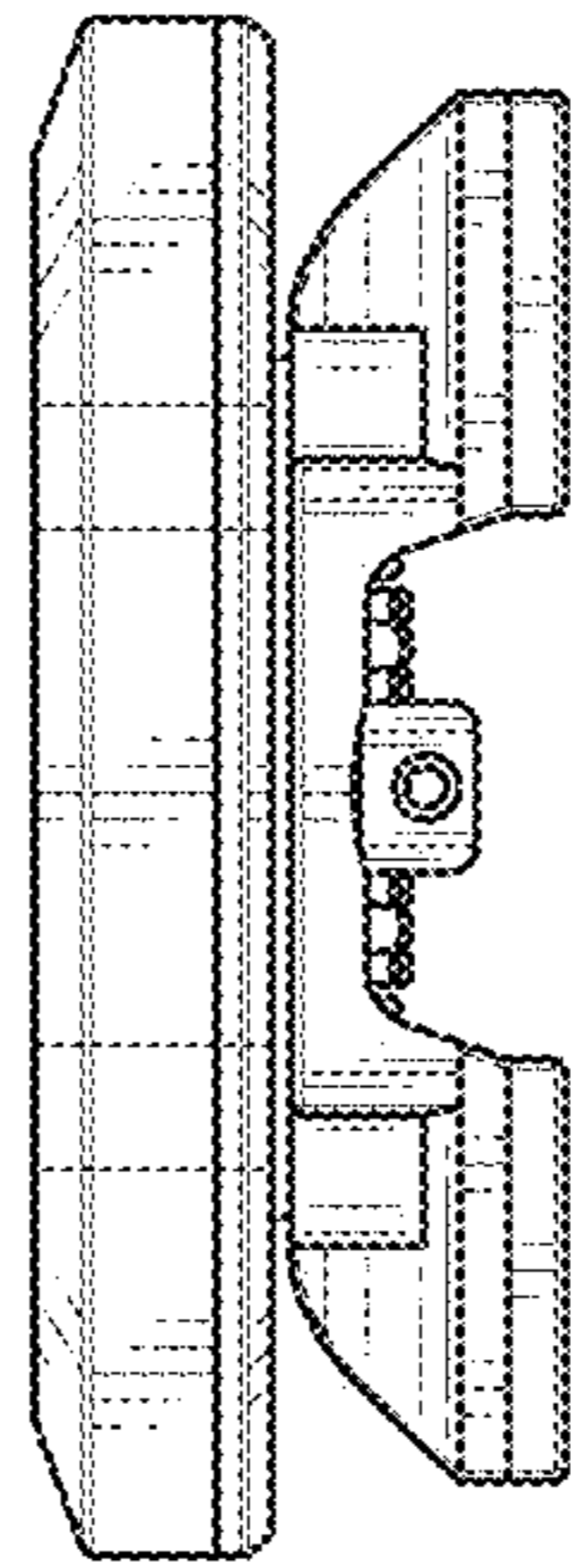


FIG. 7



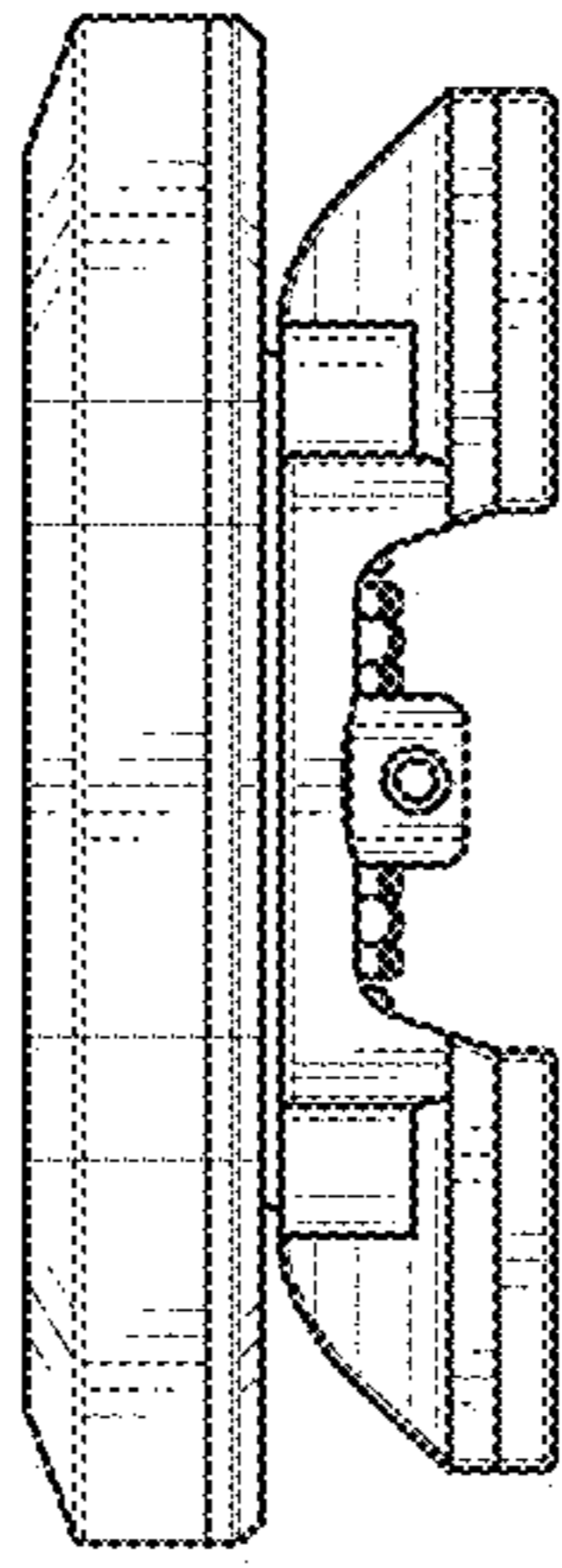


FIG. 8