



US00D929245S

(12) **United States Design Patent**
Hirsch

(10) **Patent No.:** **US D929,245 S**

(45) **Date of Patent:** **** Aug. 31, 2021**

(54) **MULTI-SENSOR HOUSING FOR CONVEYOR BELT INSTALLATION**

(71) Applicant: **Karl F. Hirsch**, Sammamish, WA (US)

(72) Inventor: **Karl F. Hirsch**, Sammamish, WA (US)

(73) Assignee: **Karl F. Hirsch**, Sammamish, WA (US)

(**) Term: **15 Years**

(21) Appl. No.: **29/696,269**

(22) Filed: **Jun. 26, 2019**

(51) **LOC (13) Cl.** **10-04**

(52) **U.S. Cl.**
USPC **D10/49**

(58) **Field of Classification Search**
USPC D10/49, 70
CPC G05B 23/0283; G05B 23/0272
See application file for complete search history.

(56) **References Cited**

U.S. PATENT DOCUMENTS

D888,589 S * 6/2020 Menden D10/49

D898,592 S * 10/2020 Fischer D10/49

* cited by examiner

Primary Examiner — Antoine Duval Davis

(74) *Attorney, Agent, or Firm* — Dickinson Wright PLLC

(57) **CLAIM**

The ornamental design for a multi-sensor housing for conveyor belt installation, as shown and described.

DESCRIPTION

FIG. 1 is a top perspective view of a multi-sensor housing for conveyor belt installation showing an embodiment of our new design;

FIG. 2 is another top perspective view thereof;

FIG. 3 is a bottom perspective view thereof;

FIG. 4 is a top plan view thereof;

FIG. 5 is a bottom plan view thereof;

FIG. 6 is a front elevation view thereof;

FIG. 7 is a back elevation view thereof; and

FIG. 8 is a right side elevation view thereof; and

FIG. 9 is a left side elevation view thereof.

FIG. 10 is a top perspective view of a multi-sensor housing for conveyor belt installation showing another embodiment of our new design;

FIG. 11 is another top perspective view thereof;

FIG. 12 is a bottom perspective view thereof;

FIG. 13 is a top plan view thereof;

FIG. 14 is a bottom plan view thereof;

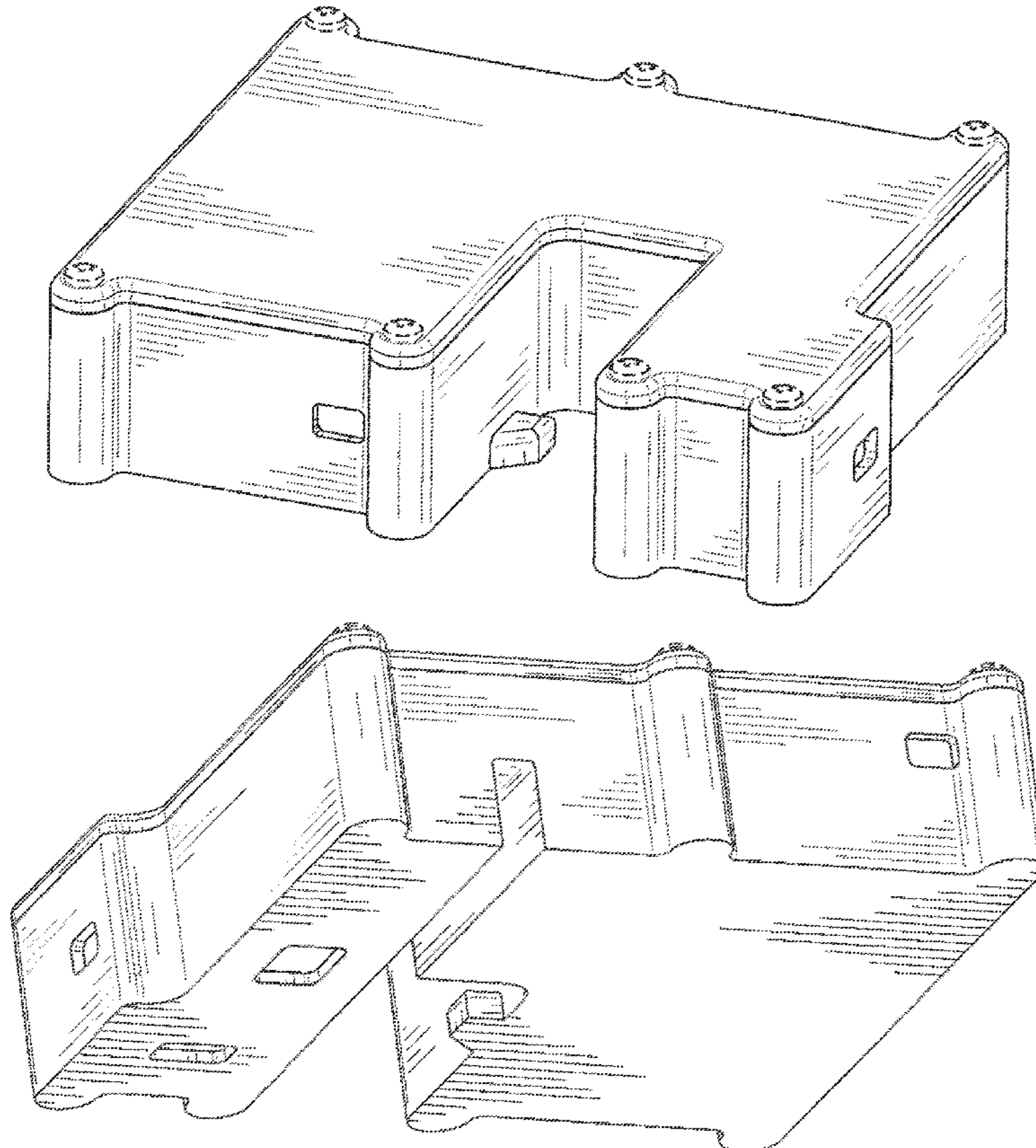
FIG. 15 is a front elevation view thereof;

FIG. 16 is a back elevation view thereof; and

FIG. 17 is a right side elevation view thereof; and,

FIG. 18 is a left side elevation view thereof.

1 Claim, 14 Drawing Sheets



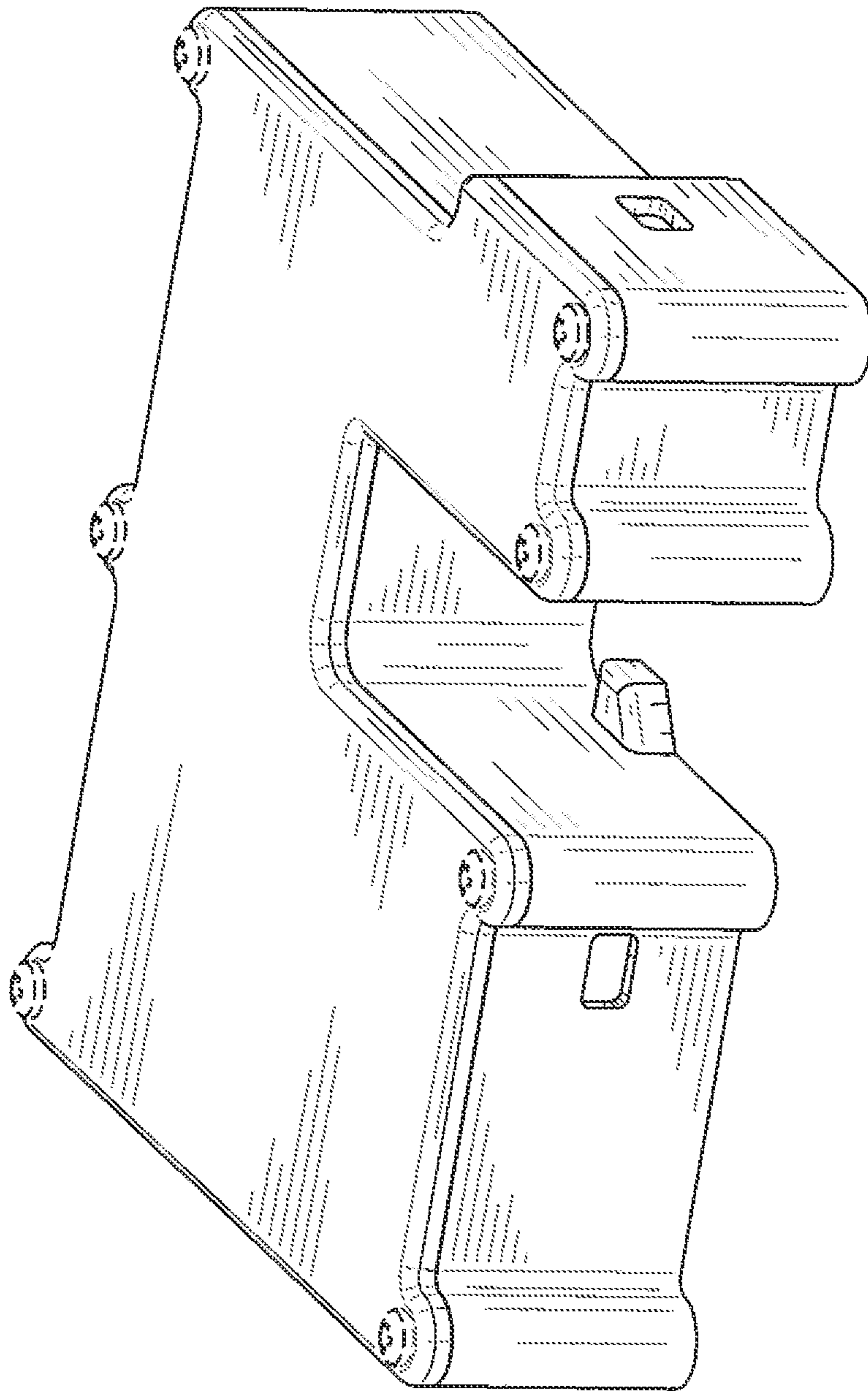


FIG. 1

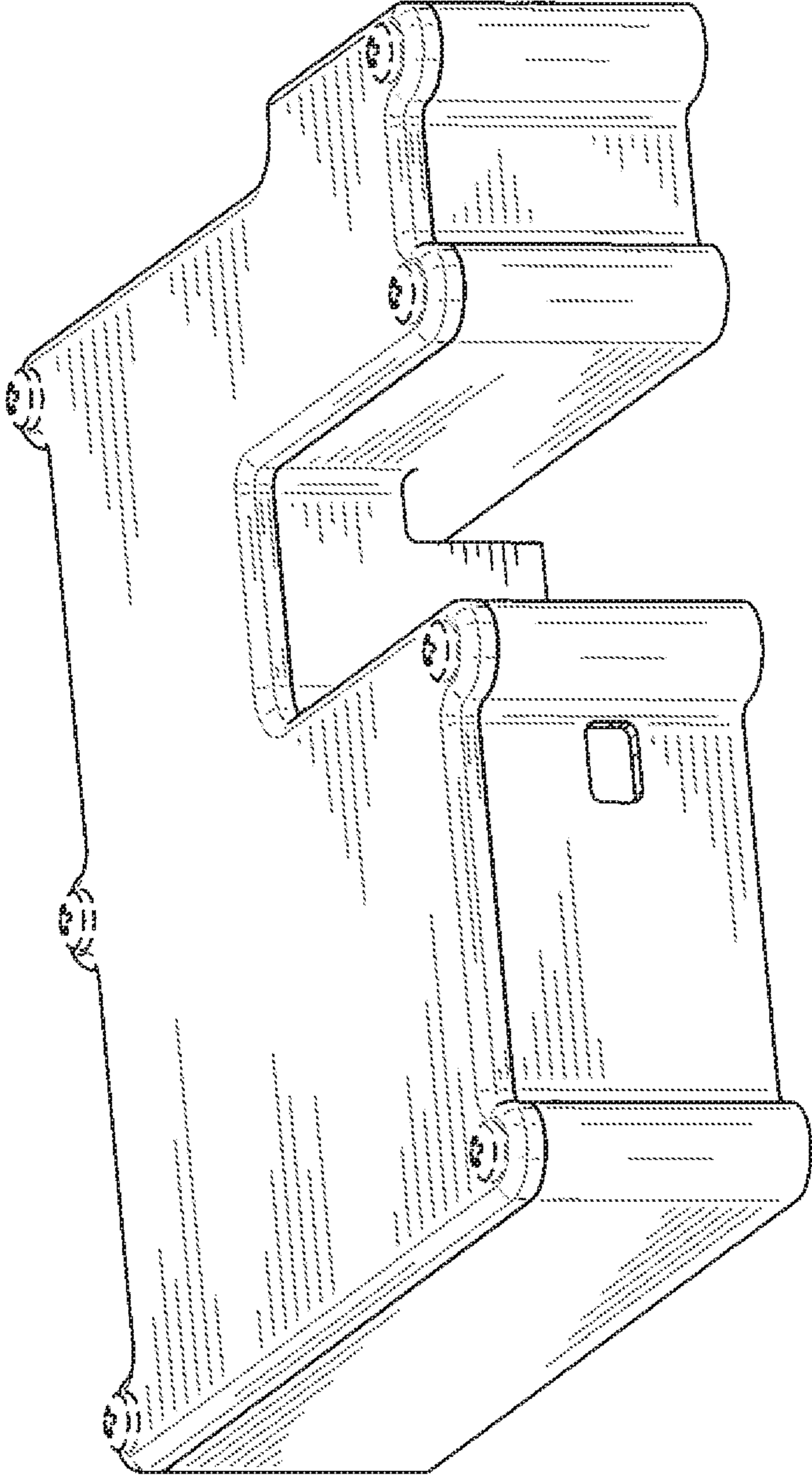


FIG. 2

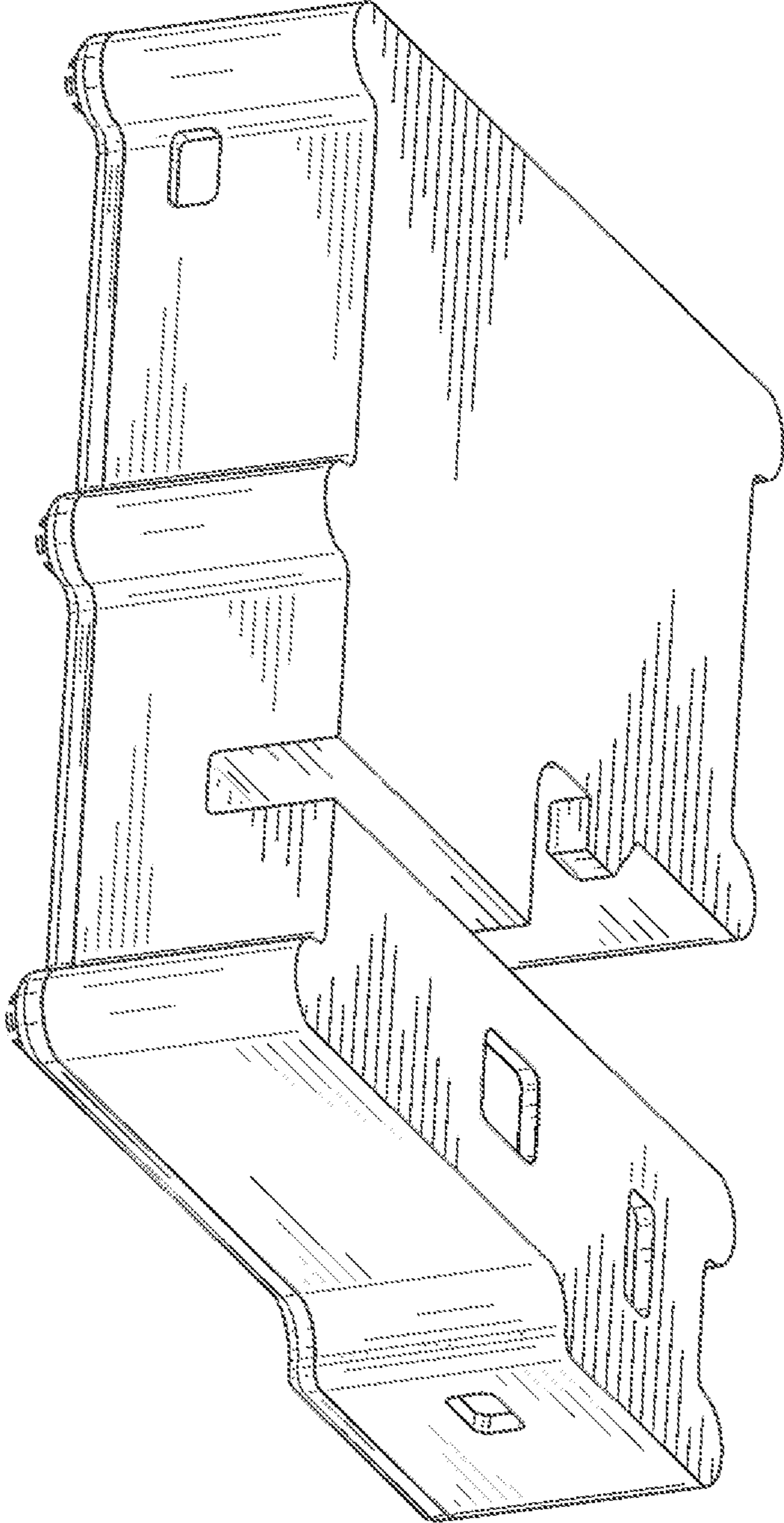


FIG. 3

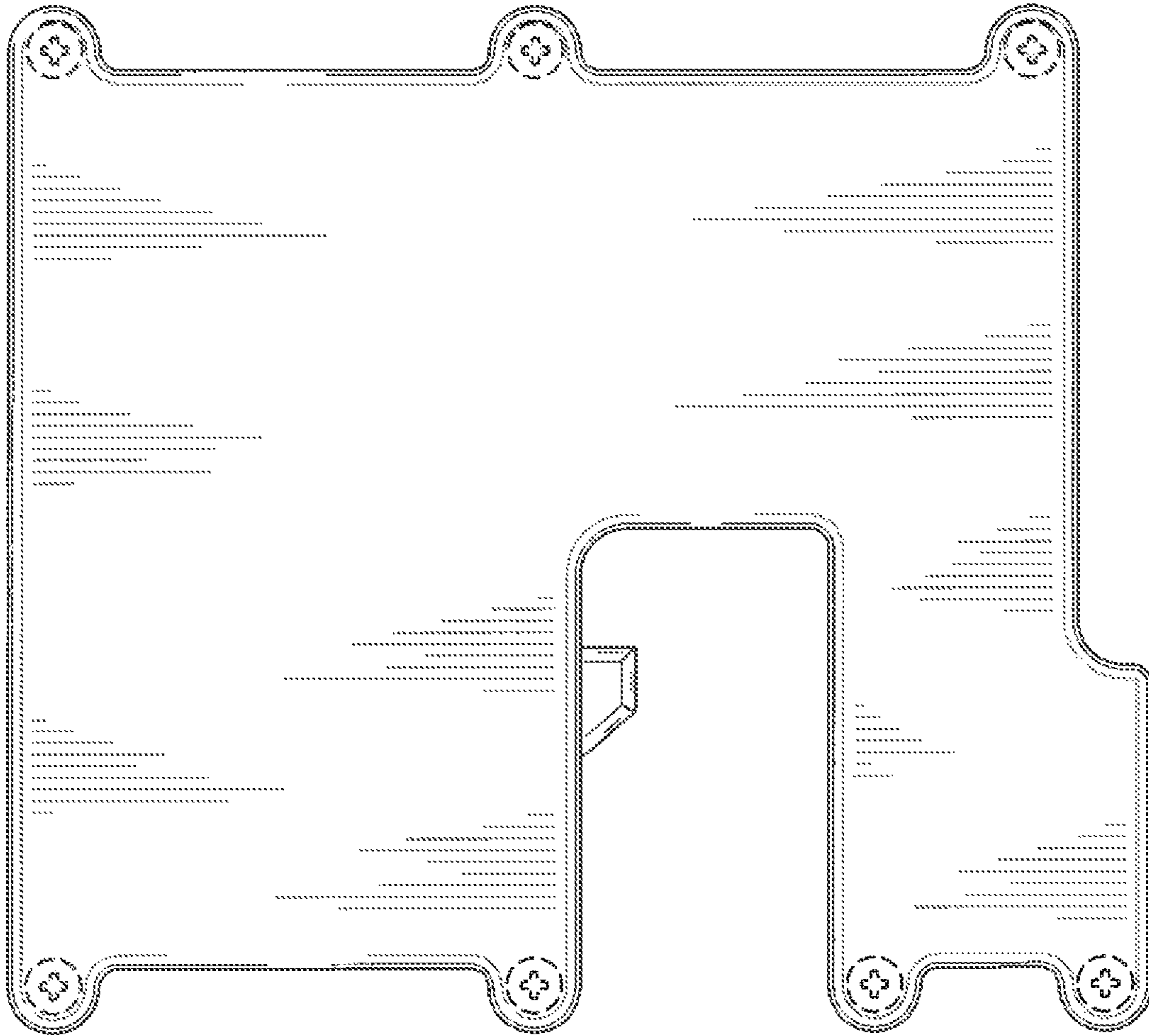


FIG. 4

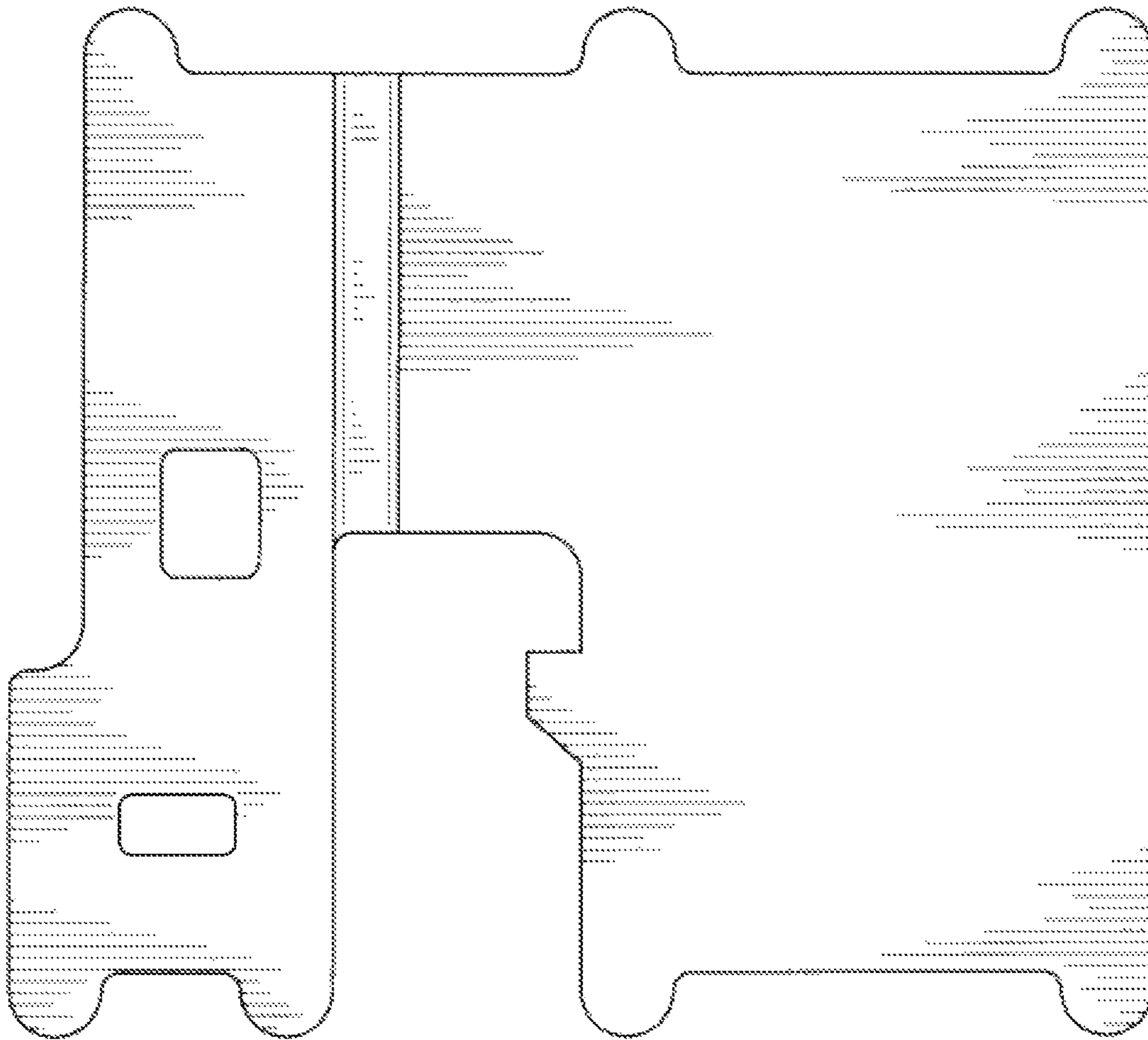


FIG. 5

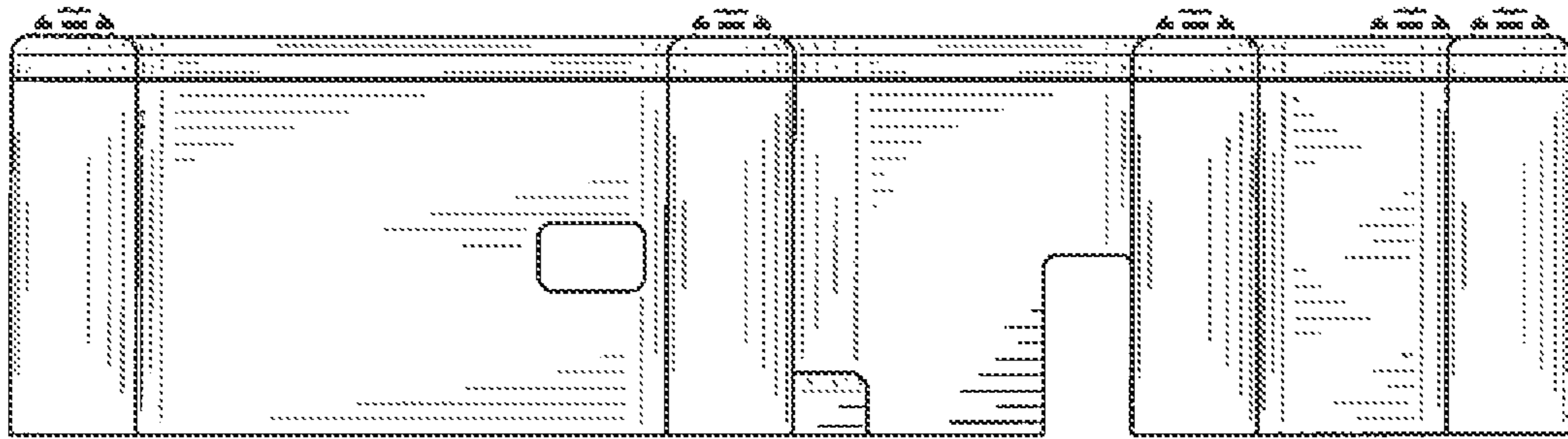


FIG. 6

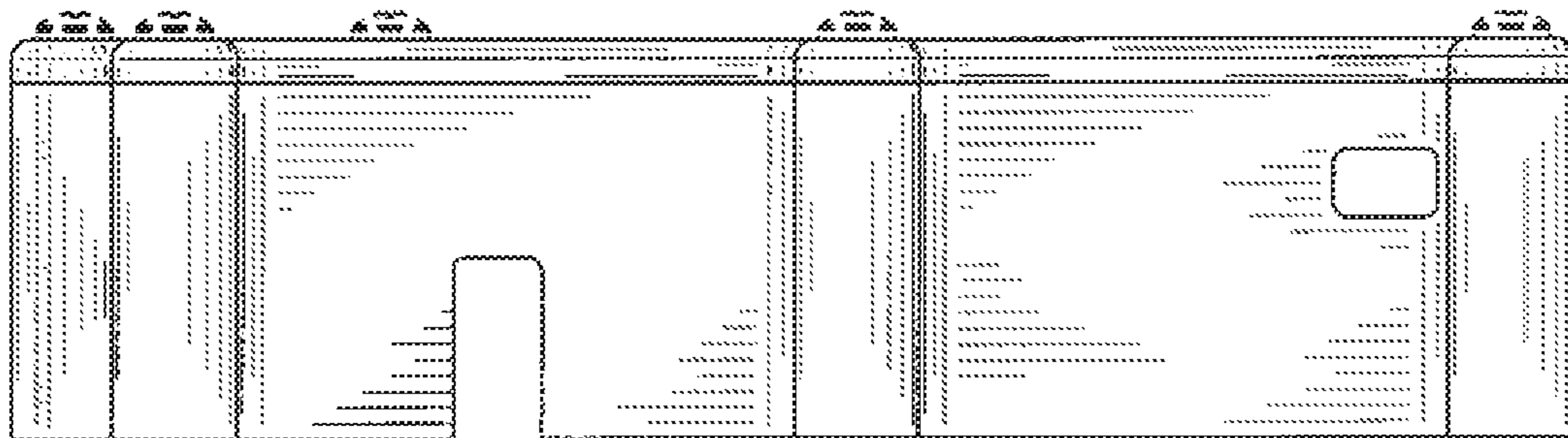


FIG. 7

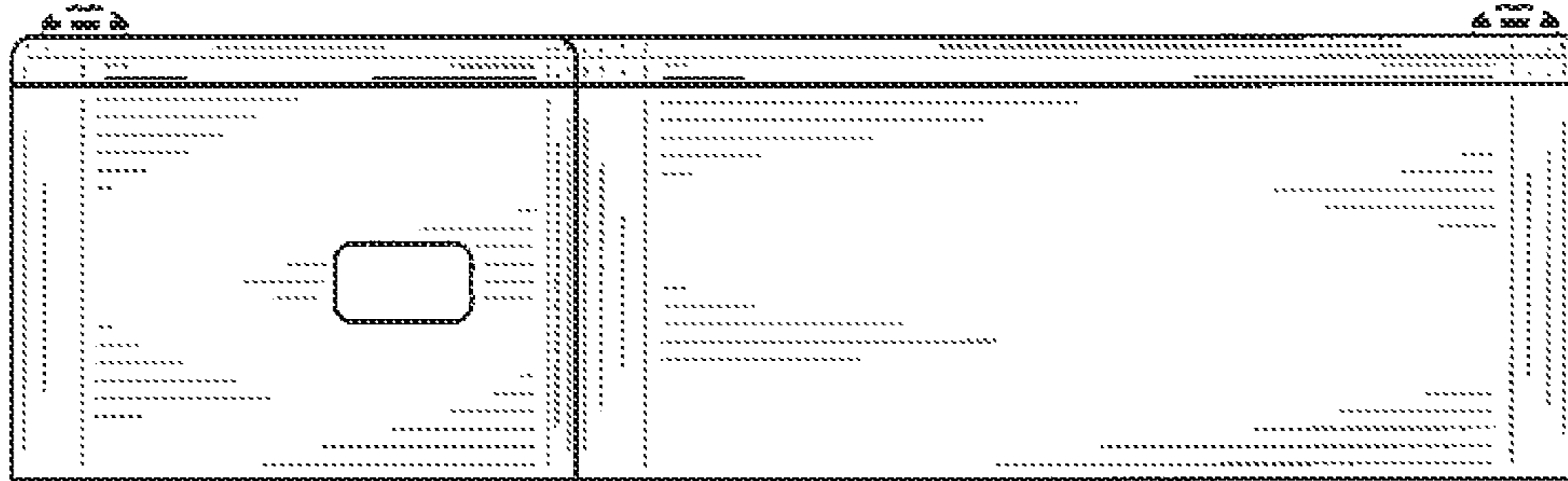


FIG. 8

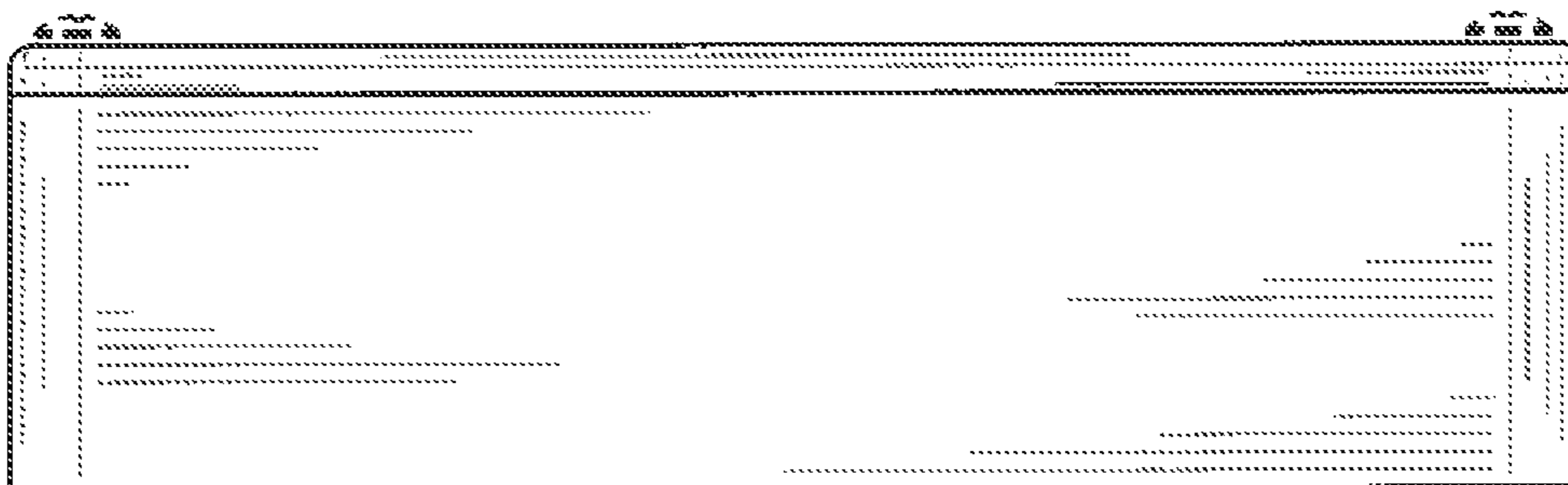


FIG. 9

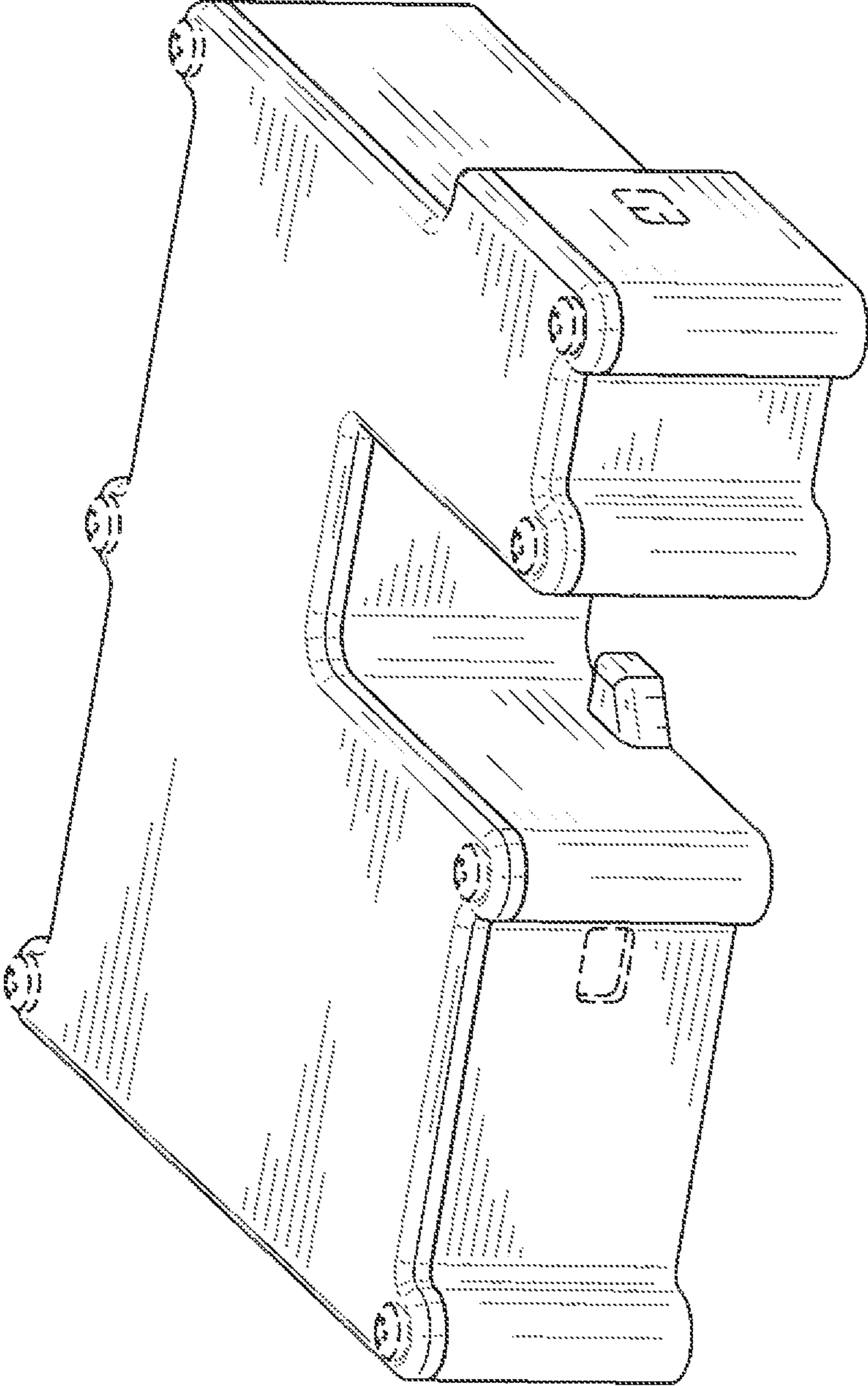


FIG. 10

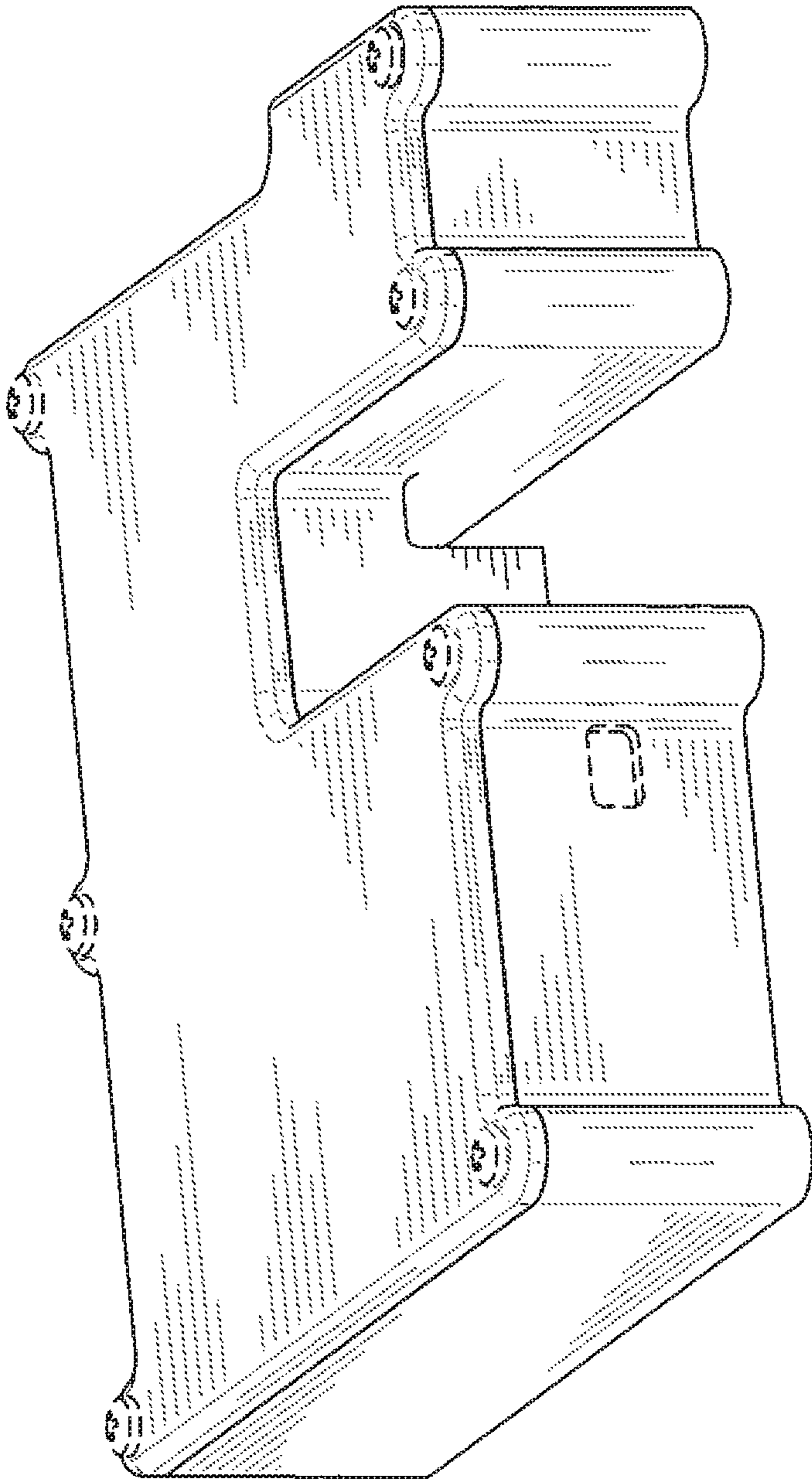


FIG. 11

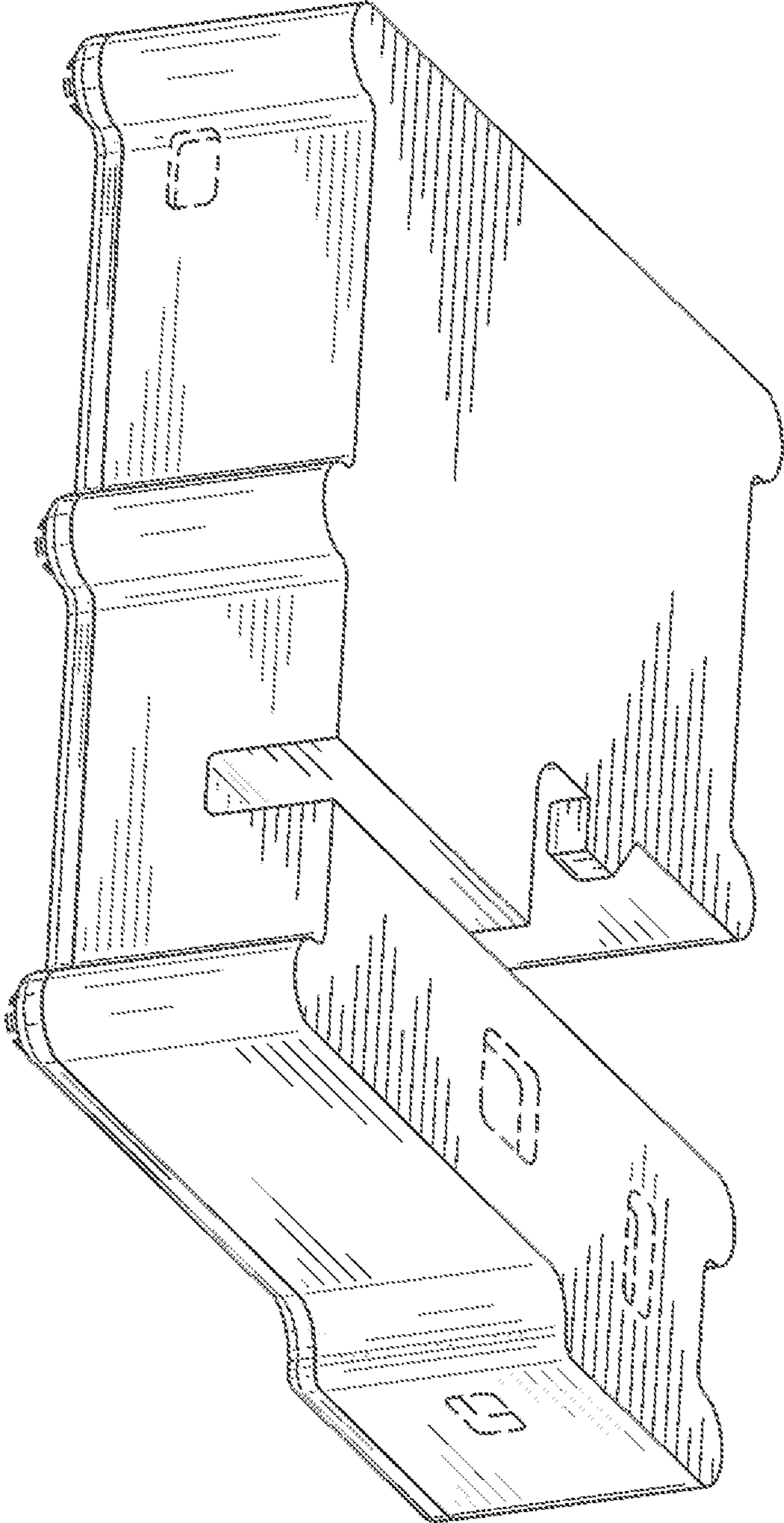


FIG. 12

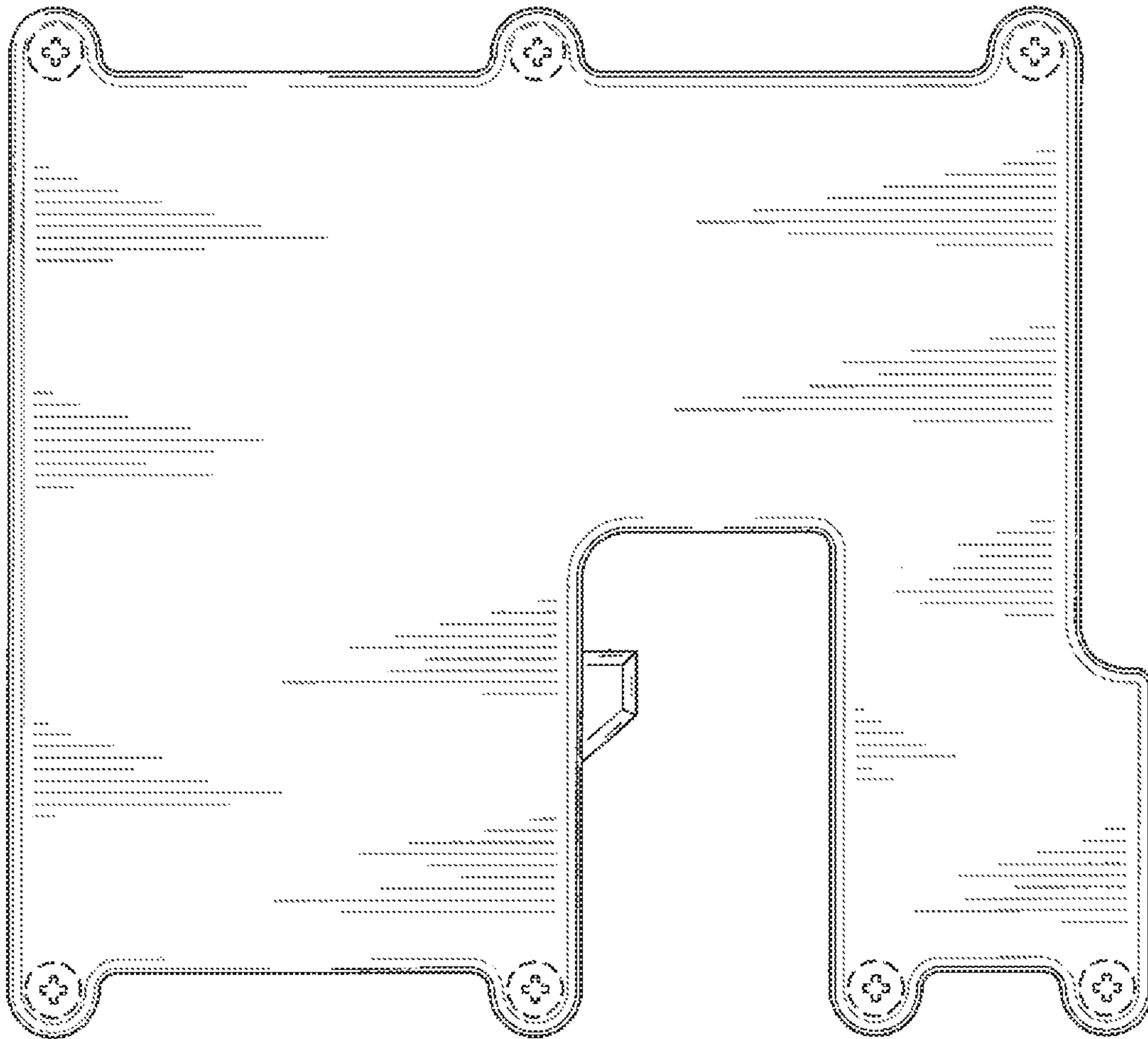


FIG. 13

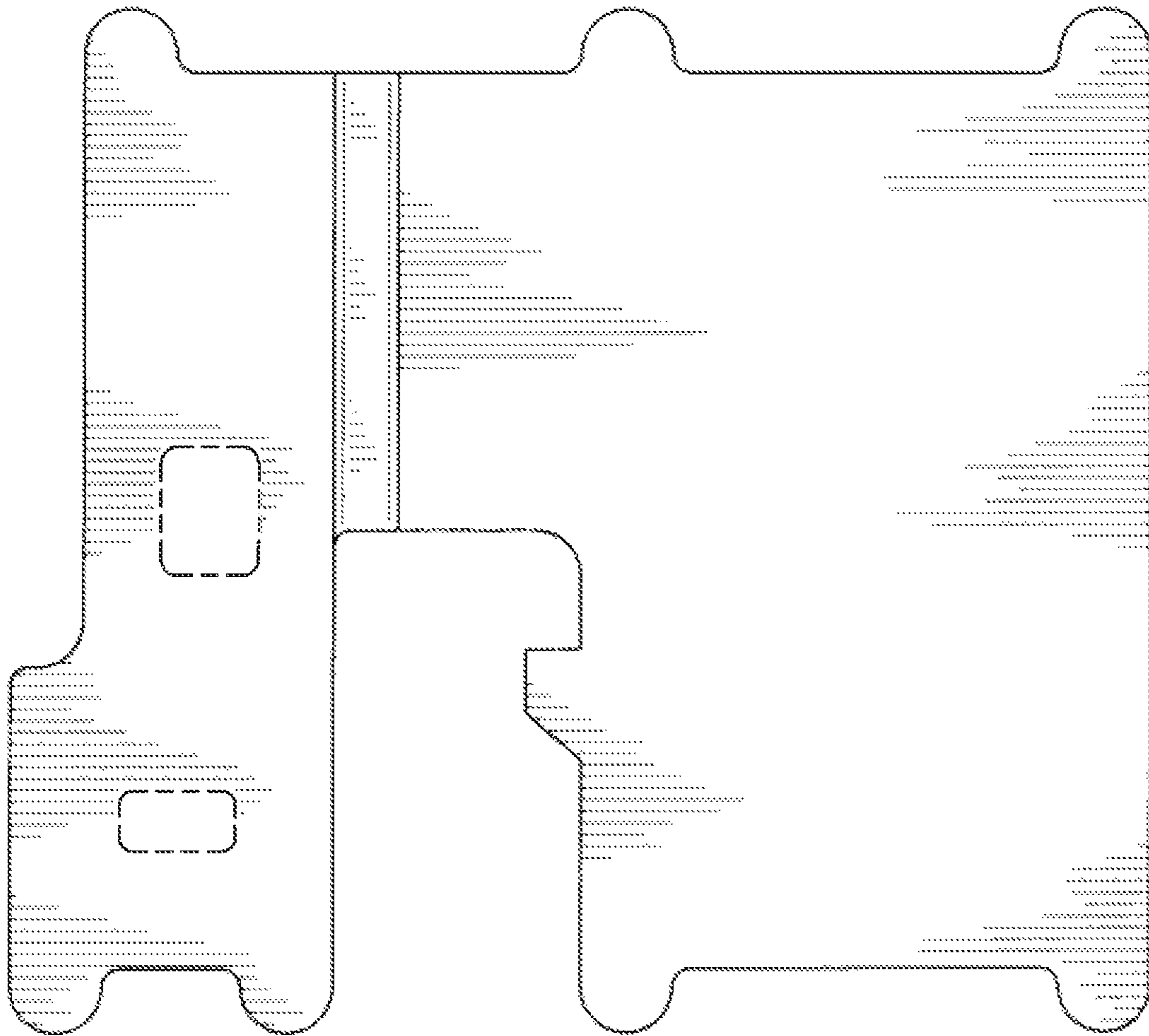


FIG. 14

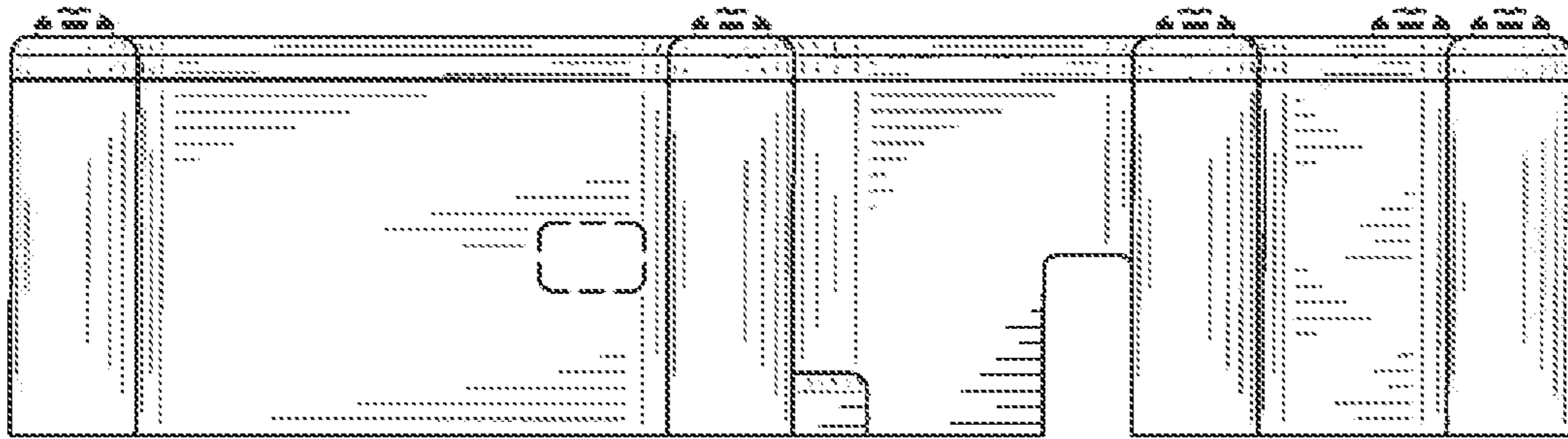


FIG. 15

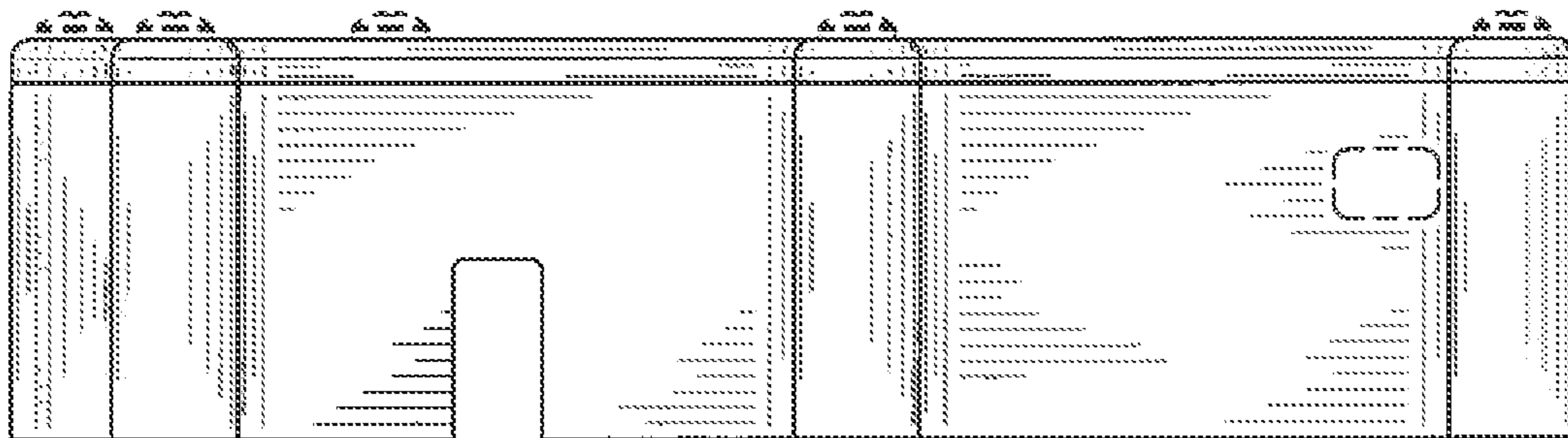


FIG. 16

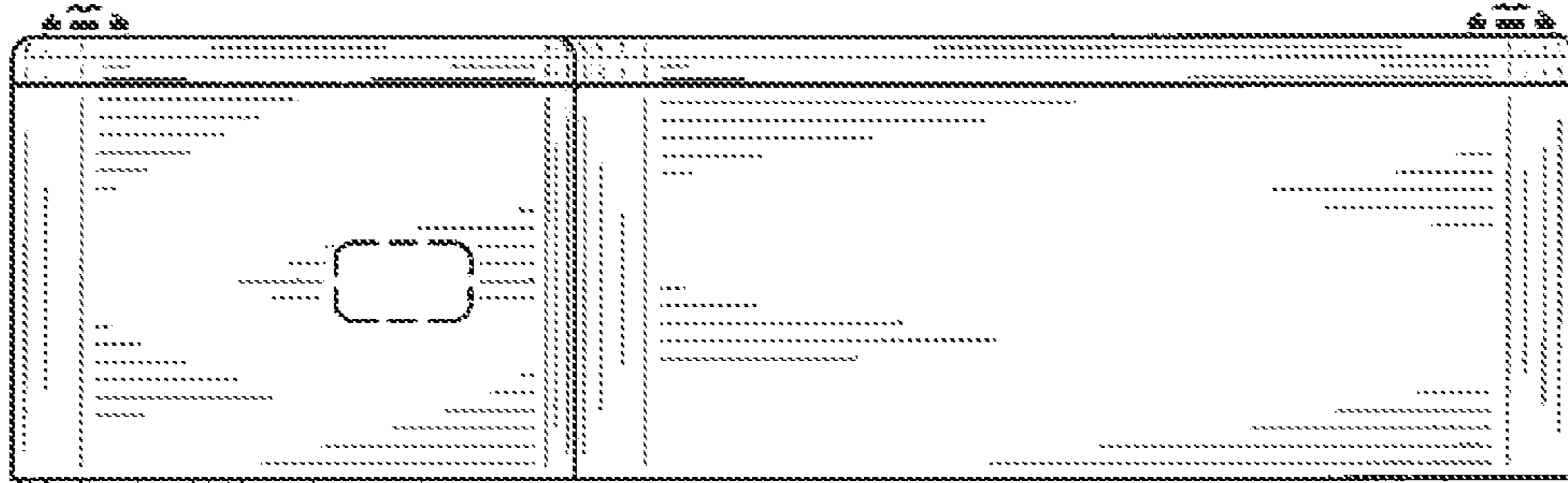


FIG. 17

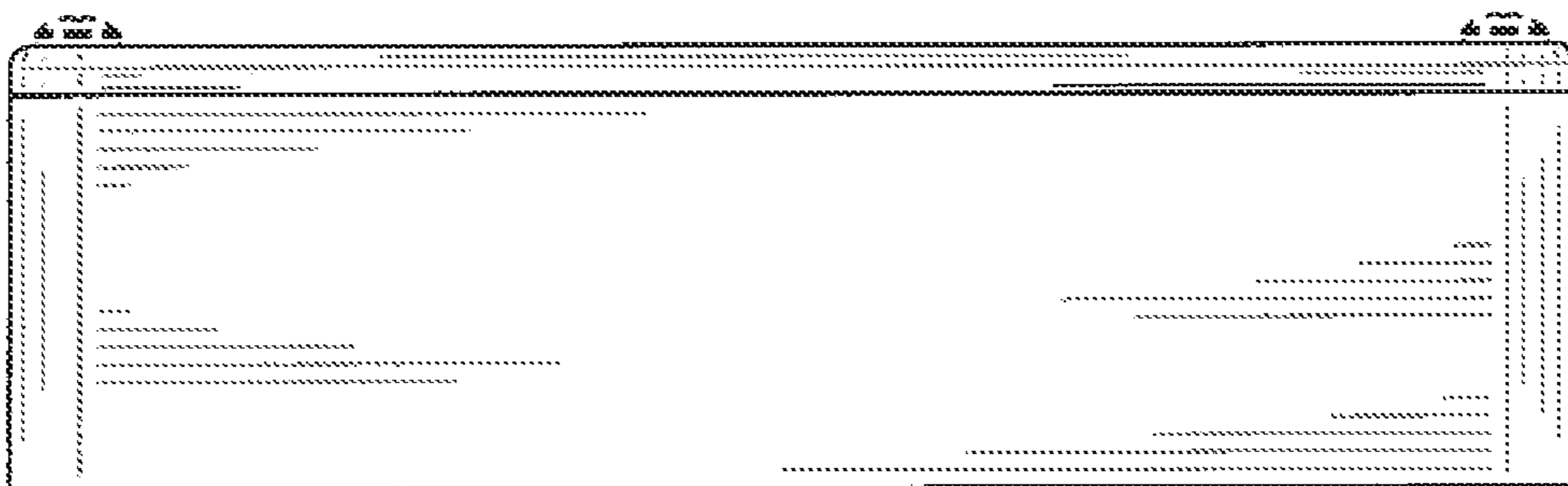


FIG. 18