



US00D929244S

(12) **United States Design Patent**
Deng

(10) **Patent No.:** **US D929,244 S**
(45) **Date of Patent:** **** Aug. 31, 2021**

- (54) **METAL DETECTOR**
- (71) Applicant: **SHANGHAI TIANXUN ELECTRONIC EQUIPMENT CO., LTD**, Shanghai (CN)
- (72) Inventor: **Junhong Deng**, Shanghai (CN)
- (73) Assignee: **SHANGHAI TIANXUN ELECTRONIC EQUIPMENT CO., LTD**, Shanghai (CN)
- (**) Term: **15 Years**
- (21) Appl. No.: **29/753,218**
- (22) Filed: **Sep. 30, 2020**
- (51) **LOC (13) Cl.** **10-04**
- (52) **U.S. Cl.**
USPC **D10/47**
- (58) **Field of Classification Search**
USPC **D10/47**
CPC ... **G01V 3/00; G01V 3/02; G01V 3/04; G01V 3/06; G01V 3/08; G01V 3/081; G01V 3/082; G01V 3/083; G01V 2003/084; G01V 2003/085; G01V 2003/086; G01V 3/087; G01V 3/088; G01V 3/10; G01V 3/101; G01V 3/102; G01V 3/104; G01V 3/105; G01V 3/107; G01V 3/108; G01V 3/12; G01V 3/14; G01V 3/15; G01V 3/16; G01V 3/165; G01V 3/17; G01V 3/175; G01V 3/18; G01V 3/20; G01V 3/22; G01V 3/24; G01V 3/26; G01V 3/265; G01V 3/28; G01V 3/30; G01V 3/32; G01V 3/34; G01V 3/36; G01V 3/38; G01V 3/40**
See application file for complete search history.

- D690,213 S * 9/2013 Walsh A01B 1/00 D10/47
- 8,842,035 B2 * 9/2014 Duvoisin, III G01S 13/86 342/22
- 9,021,661 B2 * 5/2015 Andel B25G 1/04 16/429
- 9,664,809 B2 * 5/2017 Fry G01V 3/104
- 9,733,353 B1 * 8/2017 Carlson G01S 13/885
- 9,864,089 B2 * 1/2018 Andel G01V 3/15
- D844,463 S * 4/2019 Zhang G01V 3/104 D10/47
- D863,077 S 10/2019 Shao
- D867,170 S * 11/2019 Deng B25G 1/04 D10/47

(Continued)

Primary Examiner — Antoine Duval Davis

(57) **CLAIM**

The ornamental design for a metal detector, as shown and described.

DESCRIPTION

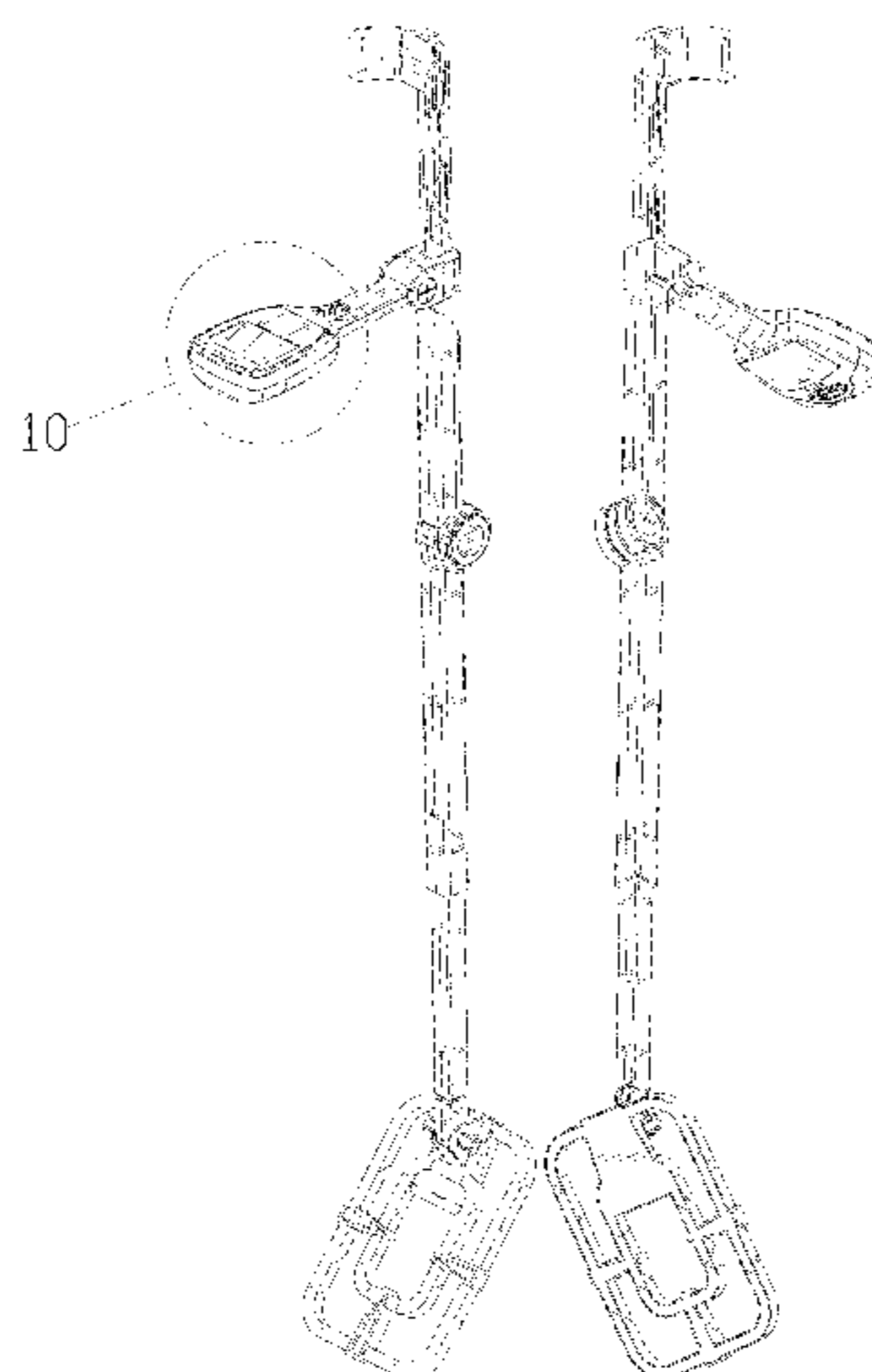
FIG. 1 is a perspective view of a metal detector showing my new design;
 FIG. 2 is another perspective view thereof;
 FIG. 3 is a front elevational view thereof;
 FIG. 4 is a rear elevational view thereof;
 FIG. 5 is a left side elevational view thereof;
 FIG. 6 is a right side elevational view thereof;
 FIG. 7 is a top plan view thereof;
 FIG. 8 is a bottom plan view thereof;
 FIG. 9 is a perspective view of the metal detector where the metal detector is in a folded state; and,
 FIG. 10 is an enlarged view of portion 10 shown in FIG. 1.
 The broken lines in the drawings depict portions of the metal detector that form no part of the claimed design.

1 Claim, 10 Drawing Sheets

(56) **References Cited**

U.S. PATENT DOCUMENTS

- D533,792 S * 12/2006 Johnson H04R 1/028 D10/47
- D605,956 S * 12/2009 Hu H04R 1/028 D10/47



(56)

References Cited

U.S. PATENT DOCUMENTS

D873,682 S * 1/2020 Shao G01S 13/885
D10/47
D885,206 S * 5/2020 Deng D10/47
D889,989 S 7/2020 Qin
D889,999 S * 7/2020 Qin D10/47
2020/0393557 A1 * 12/2020 Manneschi G01V 3/12

* cited by examiner

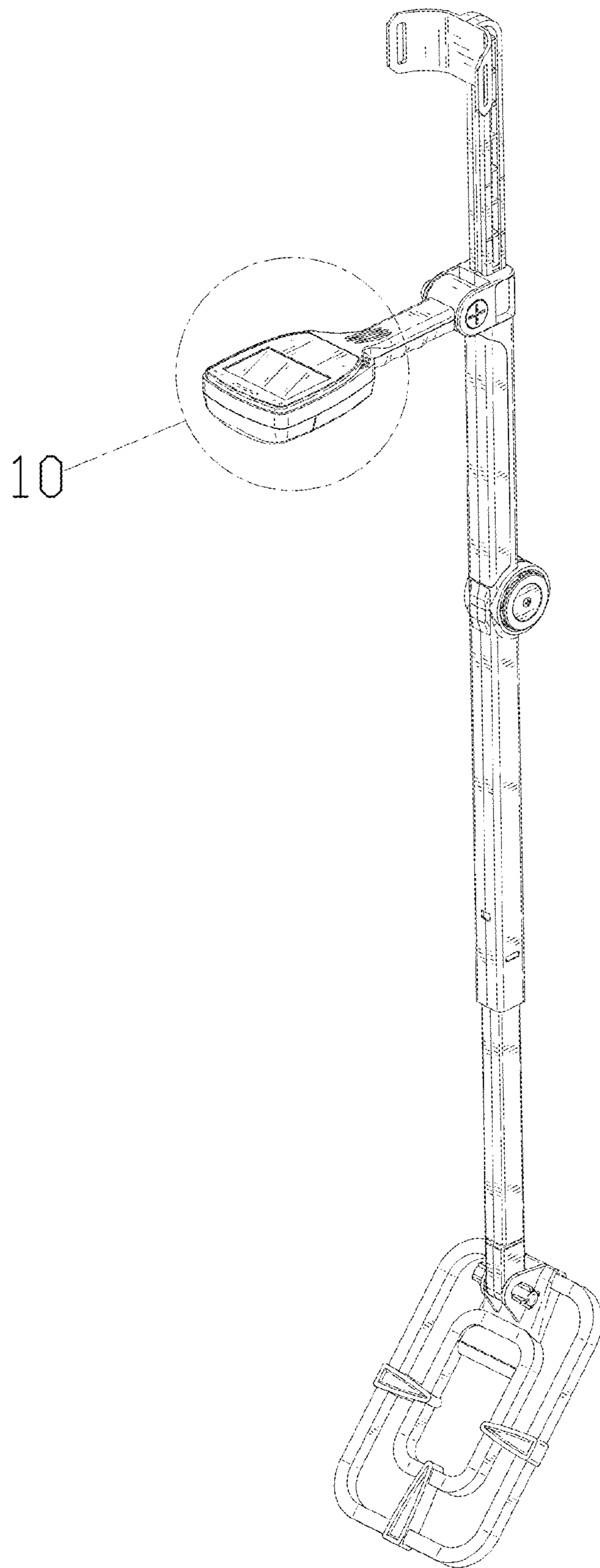


FIG. 1

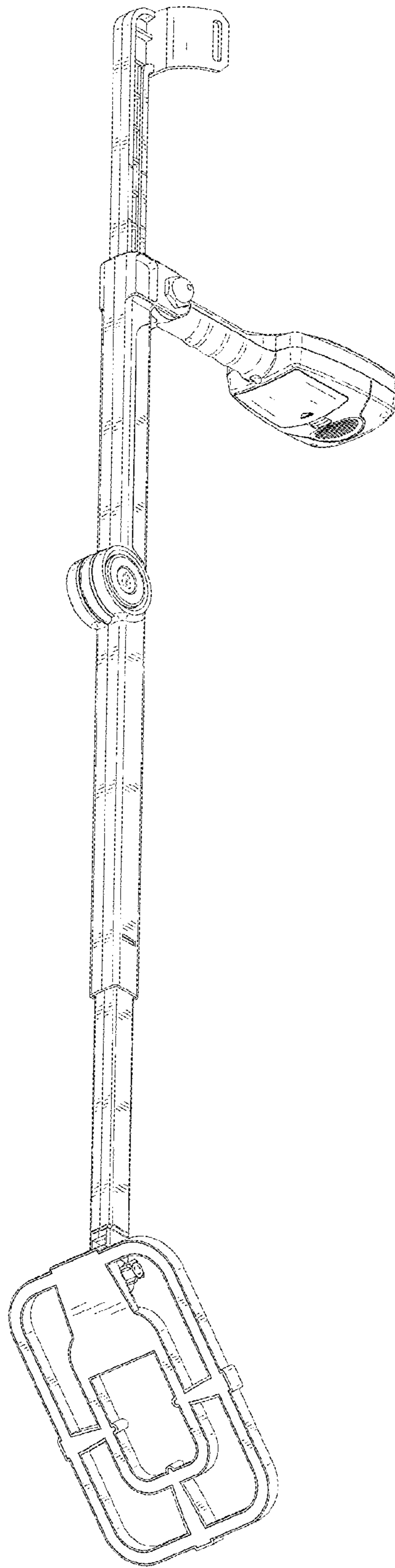


FIG. 2

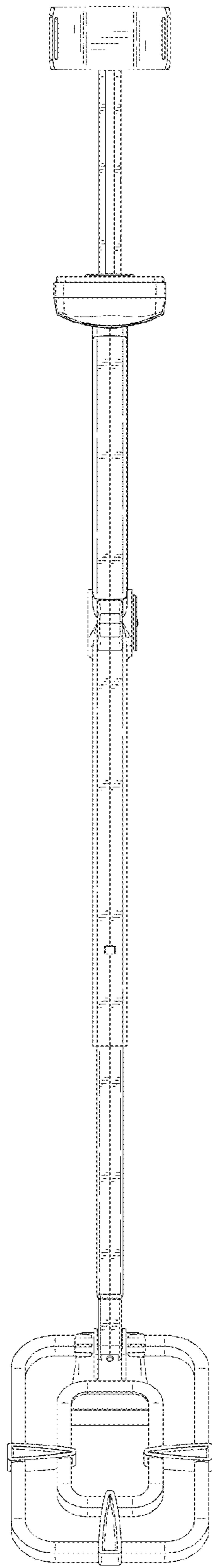


FIG. 3

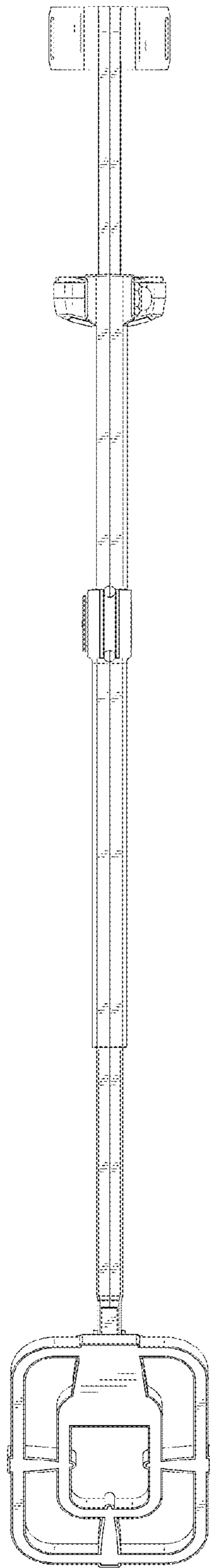


FIG. 4

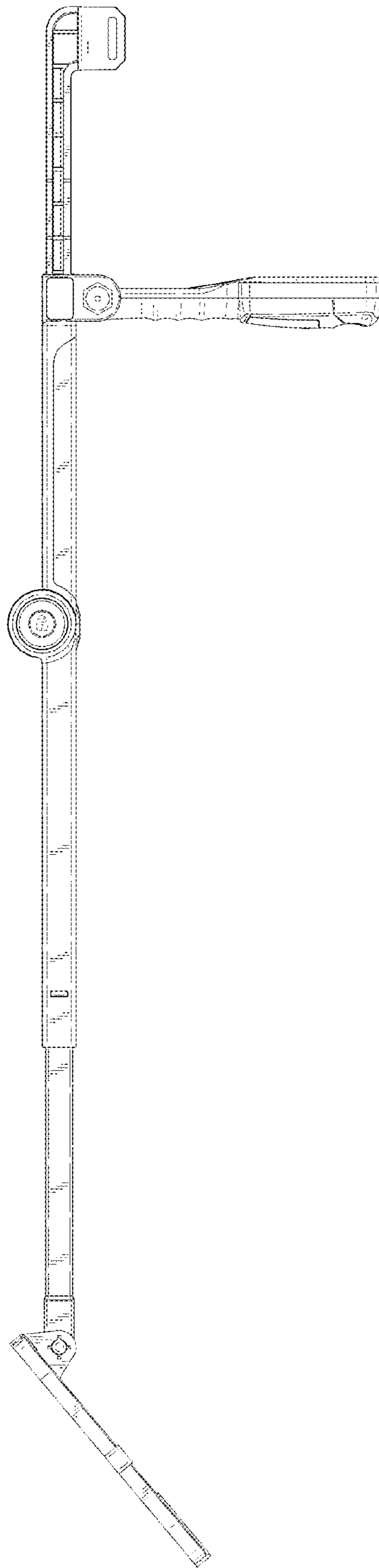


FIG. 5

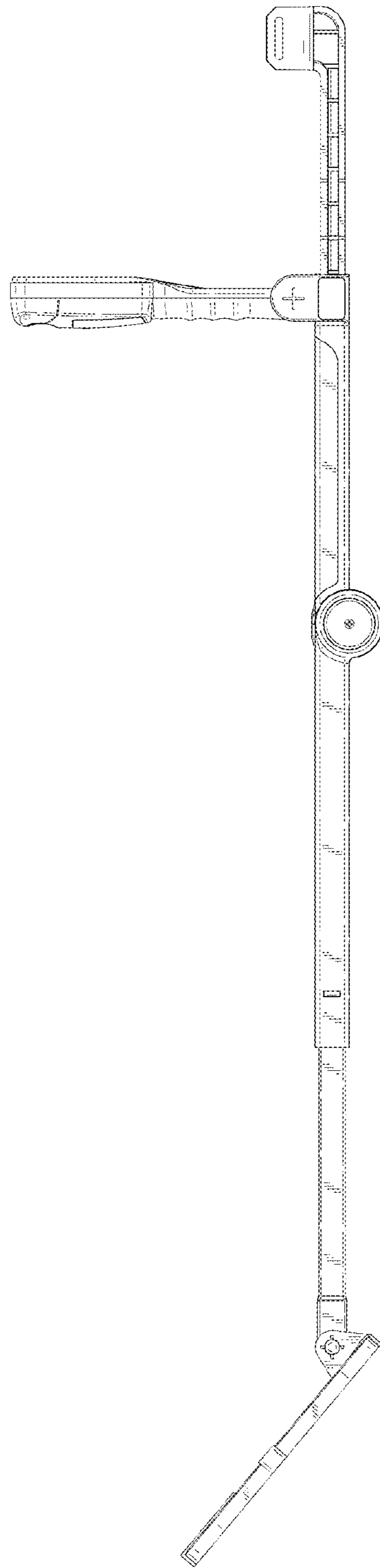


FIG. 6

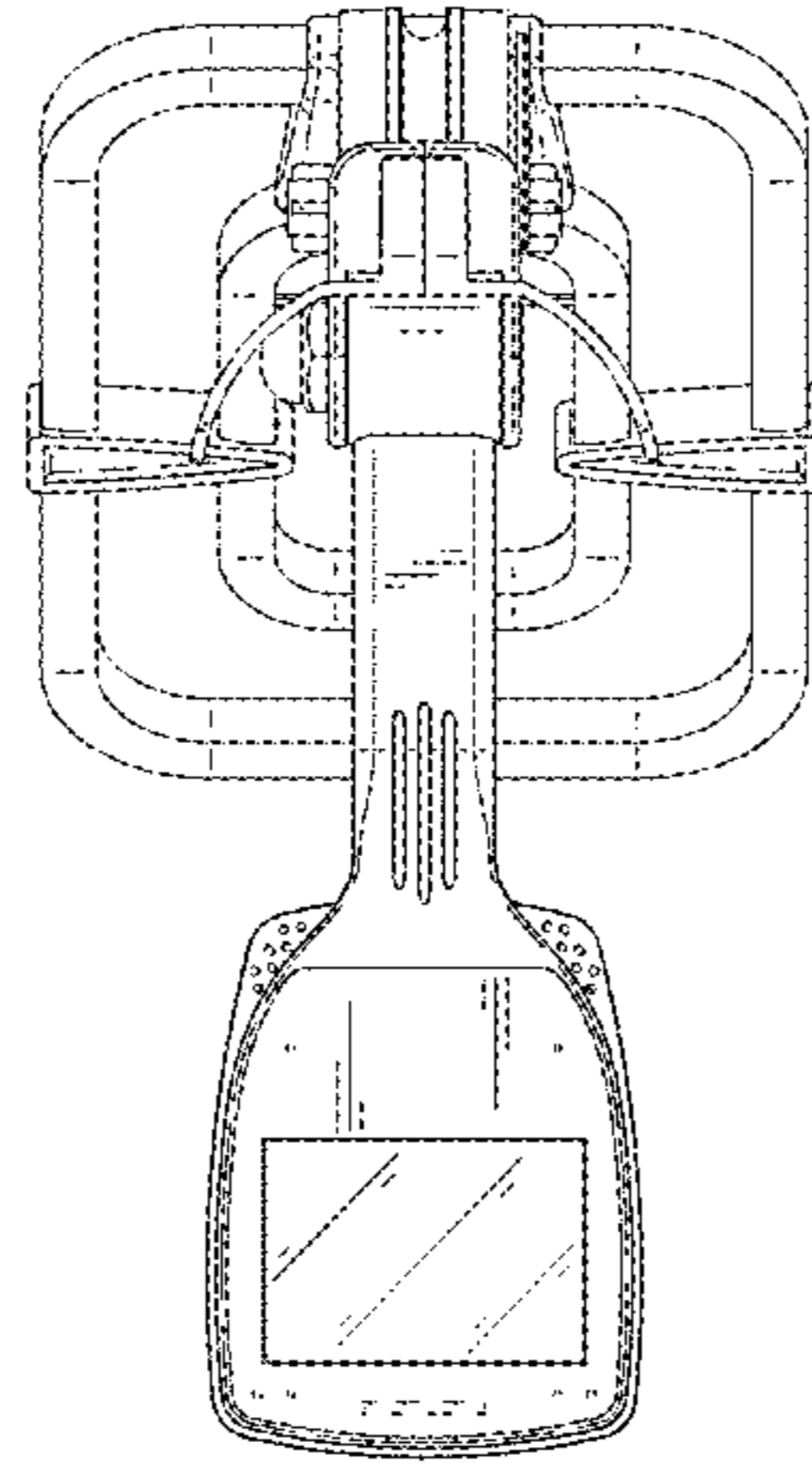


FIG. 7

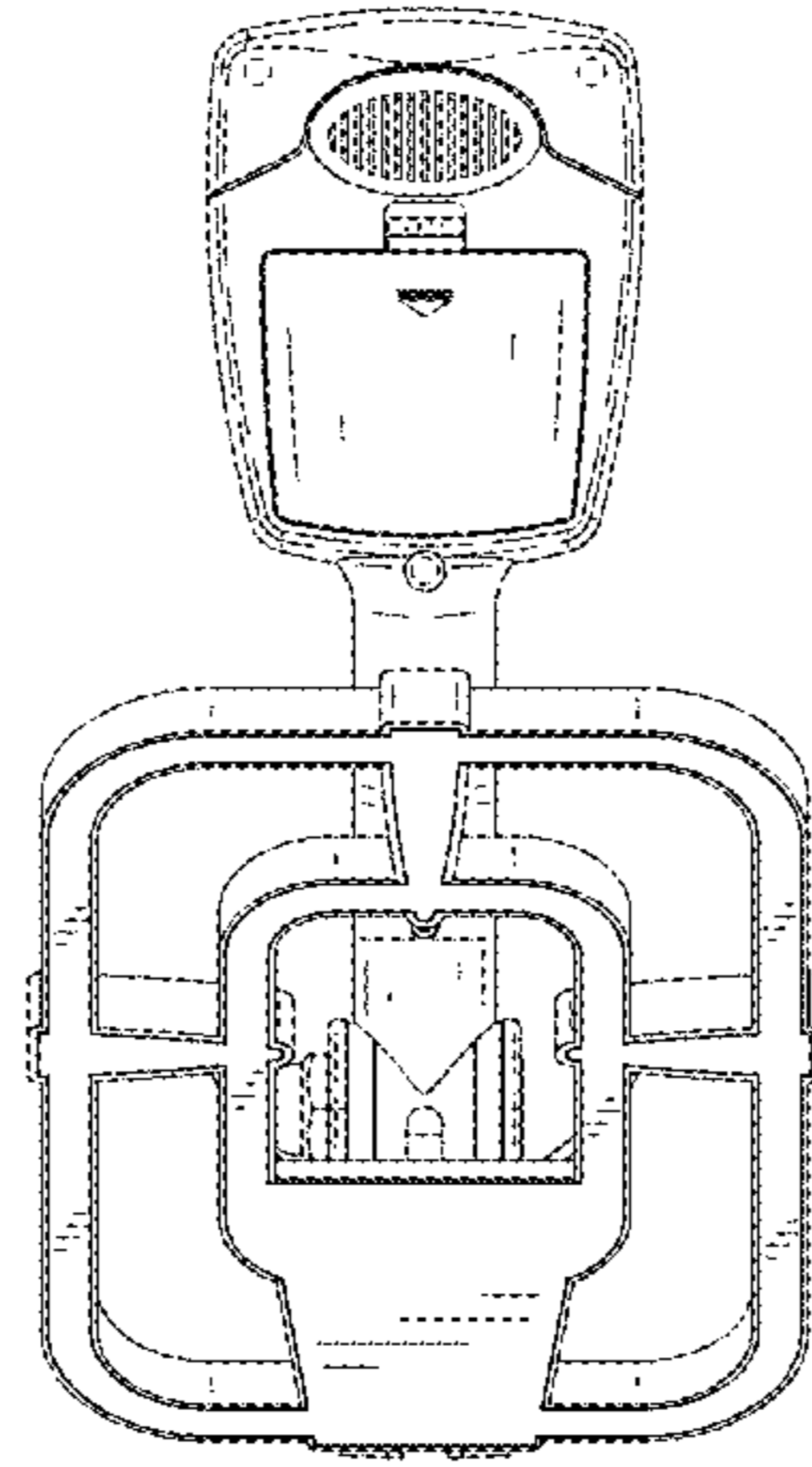


FIG. 8

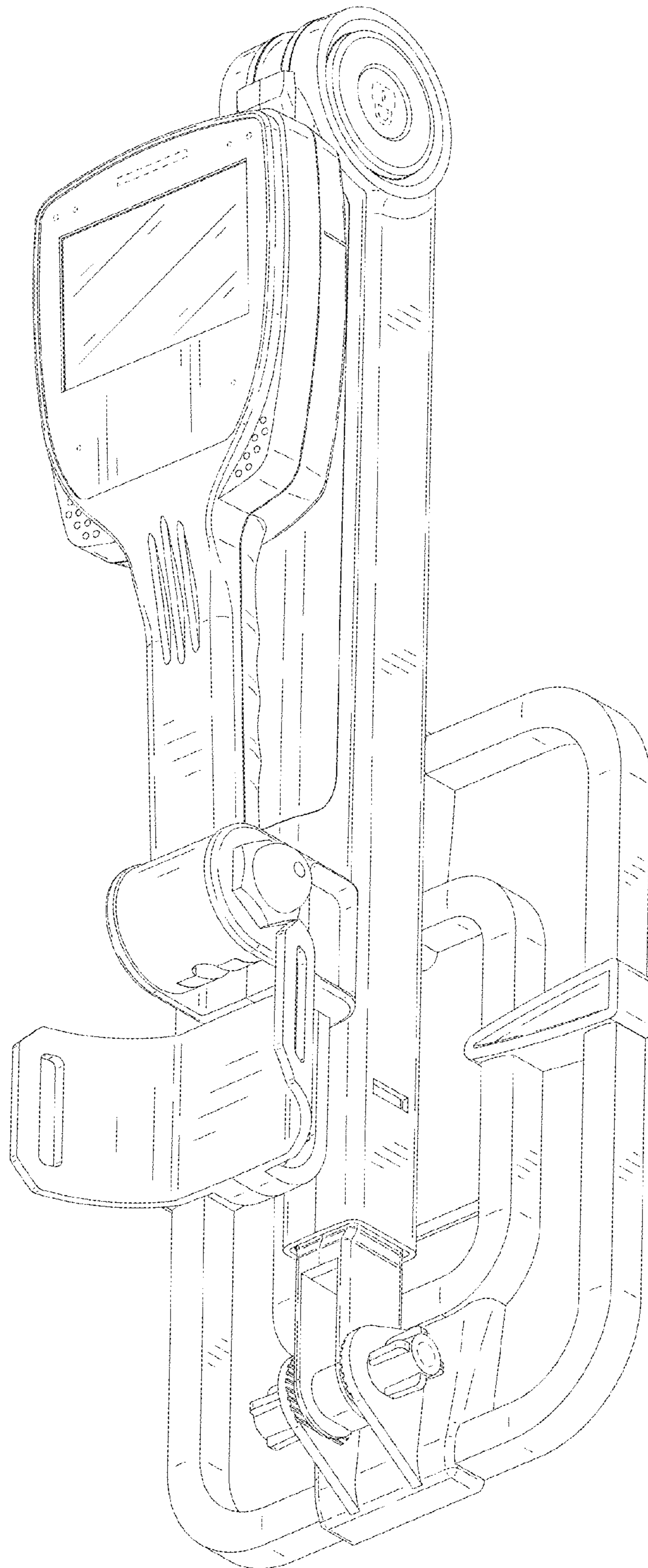


FIG. 9

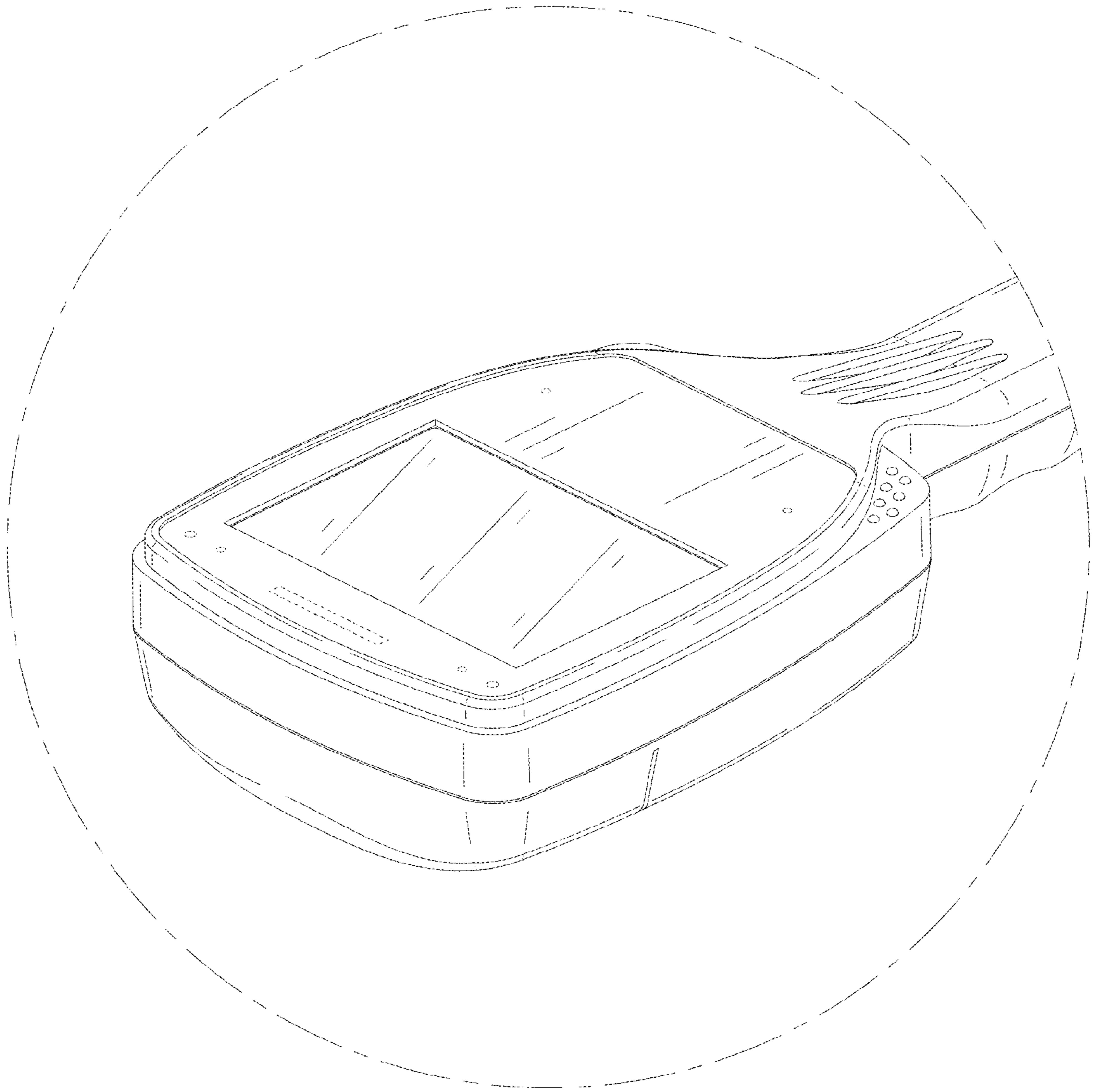


FIG. 10