



US00D929243S

(12) **United States Design Patent** (10) **Patent No.:** **US D929,243 S**  
**Xu et al.** (45) **Date of Patent:** **\*\* Aug. 31, 2021**

(54) **WATCH**

(56) **References Cited**

(71) Applicants: **Anhui Huami Information Technology Co., Ltd.**, Hefei (CN); **Zepp, Inc.**, Cupertino, CA (US)

U.S. PATENT DOCUMENTS

(72) Inventors: **Wenjian Xu**, Anhui (CN); **Wei Zheng**, Anhui (CN); **Jing Fan**, Anhui (CN)

D509,216 S *	9/2005	Yamamoto	D10/30
D546,710 S *	7/2007	Watanabe	D10/31
D594,764 S *	6/2009	Ahlstrom	D10/31
D602,386 S *	10/2009	Ueda	D10/32
D613,737 S *	4/2010	Ahlstrom	D14/344
D626,017 S *	10/2010	Ahlstrom	D10/31
D718,167 S *	11/2014	Yliluoma	D10/128
D742,254 S *	11/2015	Greusel	D10/30
D754,549 S *	4/2016	Takahashi	D10/38
D785,468 S *	5/2017	White	D10/38
D795,731 S *	8/2017	Bayley	D11/3
D808,386 S *	1/2018	Matsuda	D14/344
D809,414 S *	2/2018	Komulainen	D11/3
D836,465 S *	12/2018	Register	D10/30
D850,317 S *	6/2019	Hinds	D11/3
D860,835 S *	9/2019	Kojima	D10/70
D865,543 S *	11/2019	Lumme	D10/70
D868,778 S *	12/2019	Reivo	D14/344

(73) Assignees: **Zepp, Inc.**, Cupertino, CA (US); **Anhui Huami Information Technology Co., Ltd.**, Anhui FTZ. (CN)

(\*\*) Term: **15 Years**

(21) Appl. No.: **29/707,440**

(22) Filed: **Sep. 27, 2019**

(51) **LOC (13) Cl.** ..... **10-02**

(52) **U.S. Cl.**  
USPC ..... **D10/32; D14/344**

(58) **Field of Classification Search**  
USPC ... D10/30-39, 65, 70, 97-98, 102, 121-124, D10/126-128, 131-132; D14/344; D24/164-165, 167, 186; D11/2, 3, 5, 19, D11/26

CPC ..... G04B 19/00; G04B 19/025; G04B 19/04; G04B 19/10; G04B 19/103; G04B 19/12; G04B 19/20; G04B 19/26; G04B 19/226; G04B 37/00; G04B 37/1486; G04B 39/002; G04B 39/004; G04B 39/006; G04B 45/00; G04B 45/0069; G04B 45/0076; G04G 19/06; G04G 19/065; G04G 19/08; G04G 19/085; G04G 21/08; A44C 5/00; A44C 5/02; A44C 5/023; A44C 5/0007; A44C 5/147; A44C 5/0053; A61B 5/681; A61B 5/6824; G06F 1/163

See application file for complete search history.

(Continued)

*Primary Examiner* — Katherine Glennon

(74) *Attorney, Agent, or Firm* — Young Basile Hanlon & MacFarlane, P.C.

(57) **CLAIM**

The ornamental design for a watch, as shown and described.

**DESCRIPTION**

FIG. 1 is a top, front, and right perspective view of a watch showing our new design.

FIG. 2 is a front view of the watch of FIG. 1.

FIG. 3 is a rear view of the watch of FIG. 1.

FIG. 4 is a right side view of the watch of FIG. 1.

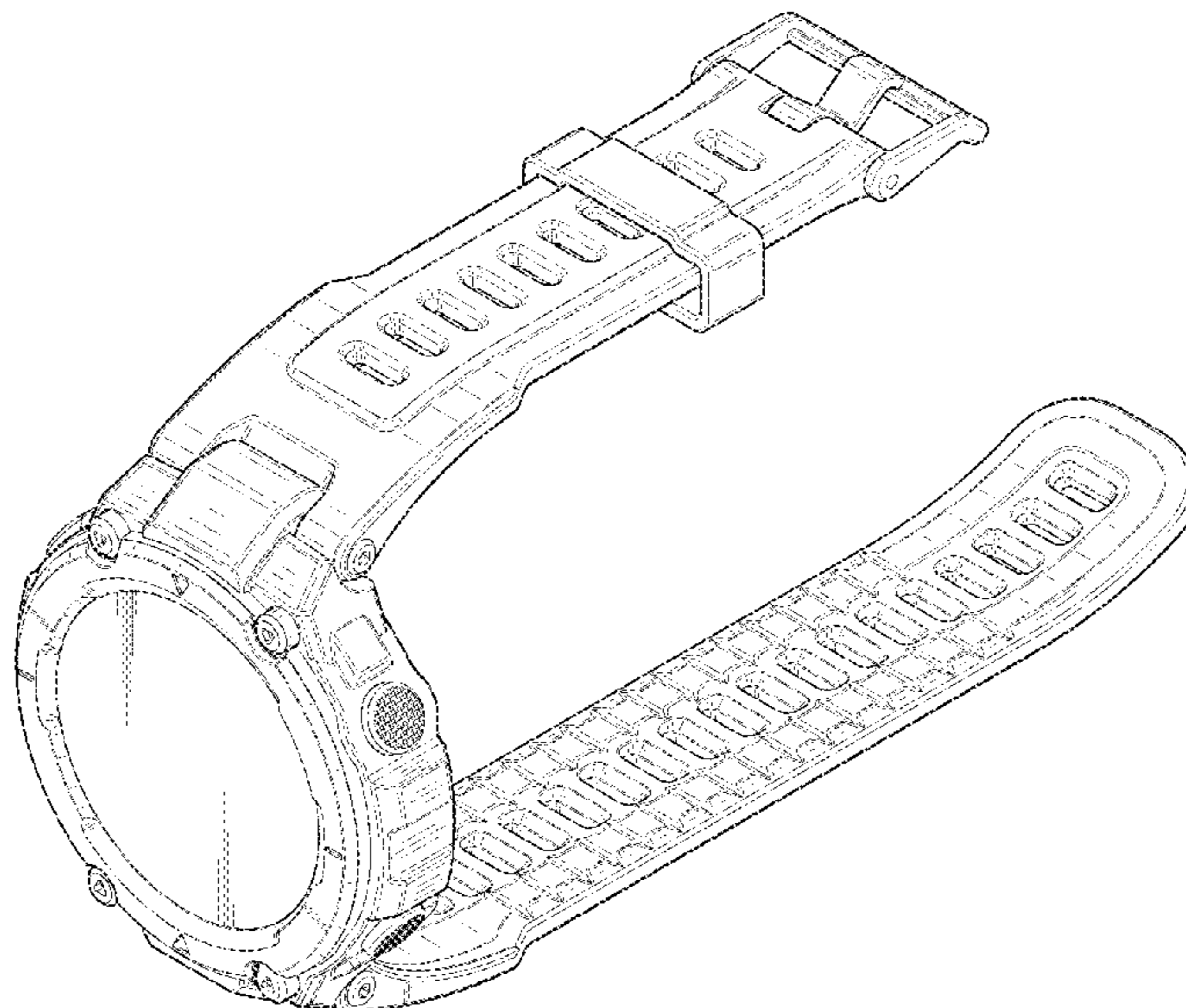
FIG. 5 is a left side view of the watch of FIG. 1.

FIG. 6 is a top view of the watch of FIG. 1; and,

FIG. 7 is a bottom view of the watch of FIG. 1.

The ornamental design which is claimed is shown in solid lines in the drawings. The broken line showing in FIGS. 1-7 illustrates portions of the watch which form no part of the claimed design.

**1 Claim, 6 Drawing Sheets**



(56)

**References Cited**

U.S. PATENT DOCUMENTS

10,509,366 B2 \* 12/2019 Godoy ..... G04B 37/005  
D889,458 S \* 7/2020 Zheng ..... D14/344  
D890,750 S \* 7/2020 Reivo ..... D14/344  
D890,751 S \* 7/2020 Kujala ..... D14/344  
D897,866 S \* 10/2020 Yamamoto ..... D10/30  
D899,957 S \* 10/2020 Register ..... D10/128  
D900,645 S \* 11/2020 Henne ..... D10/38  
2012/0075964 A1 \* 3/2012 Hirayama ..... G04B 37/084  
368/281  
2017/0242401 A1 \* 8/2017 White ..... G04G 21/06

\* cited by examiner

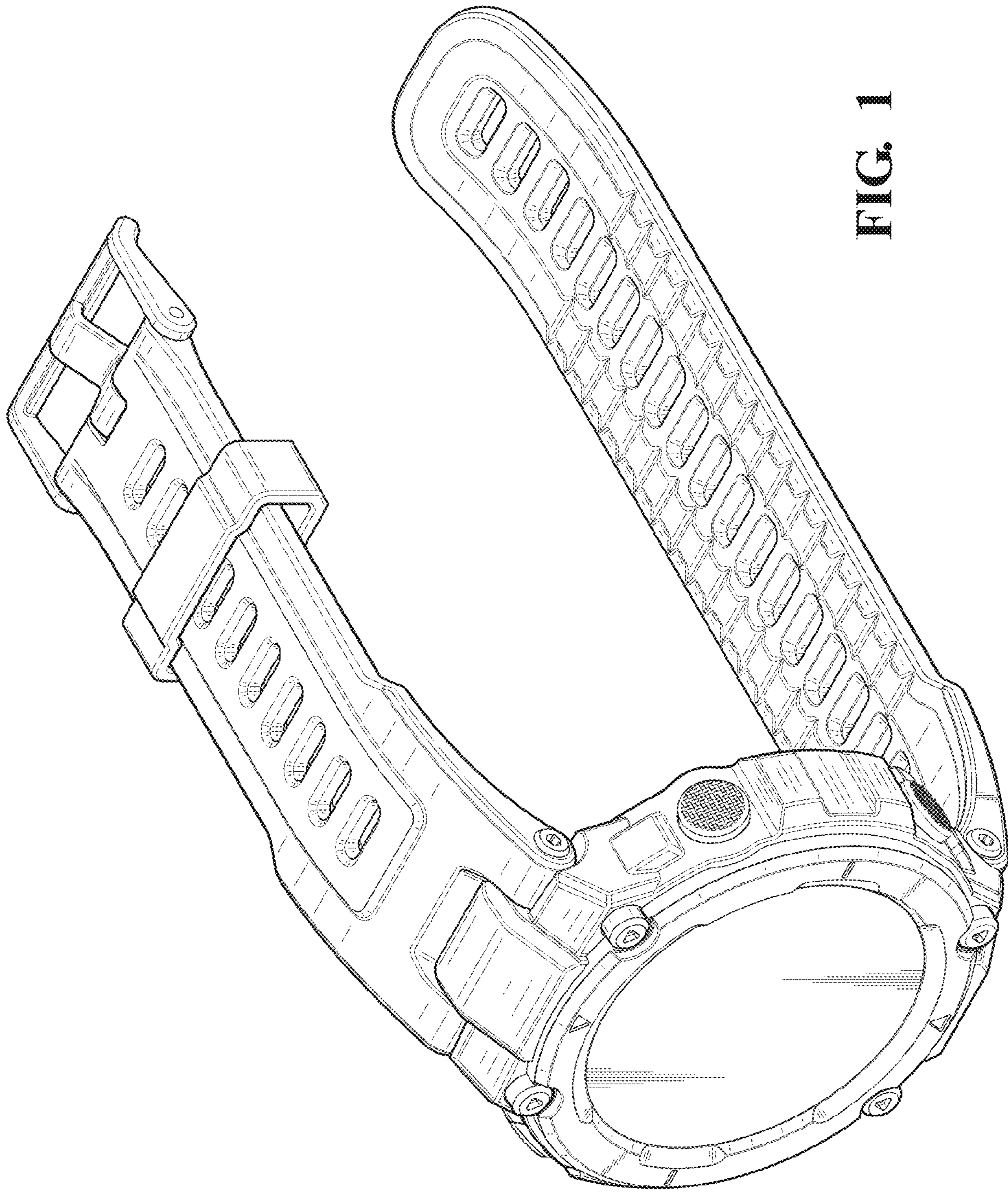


FIG. 1

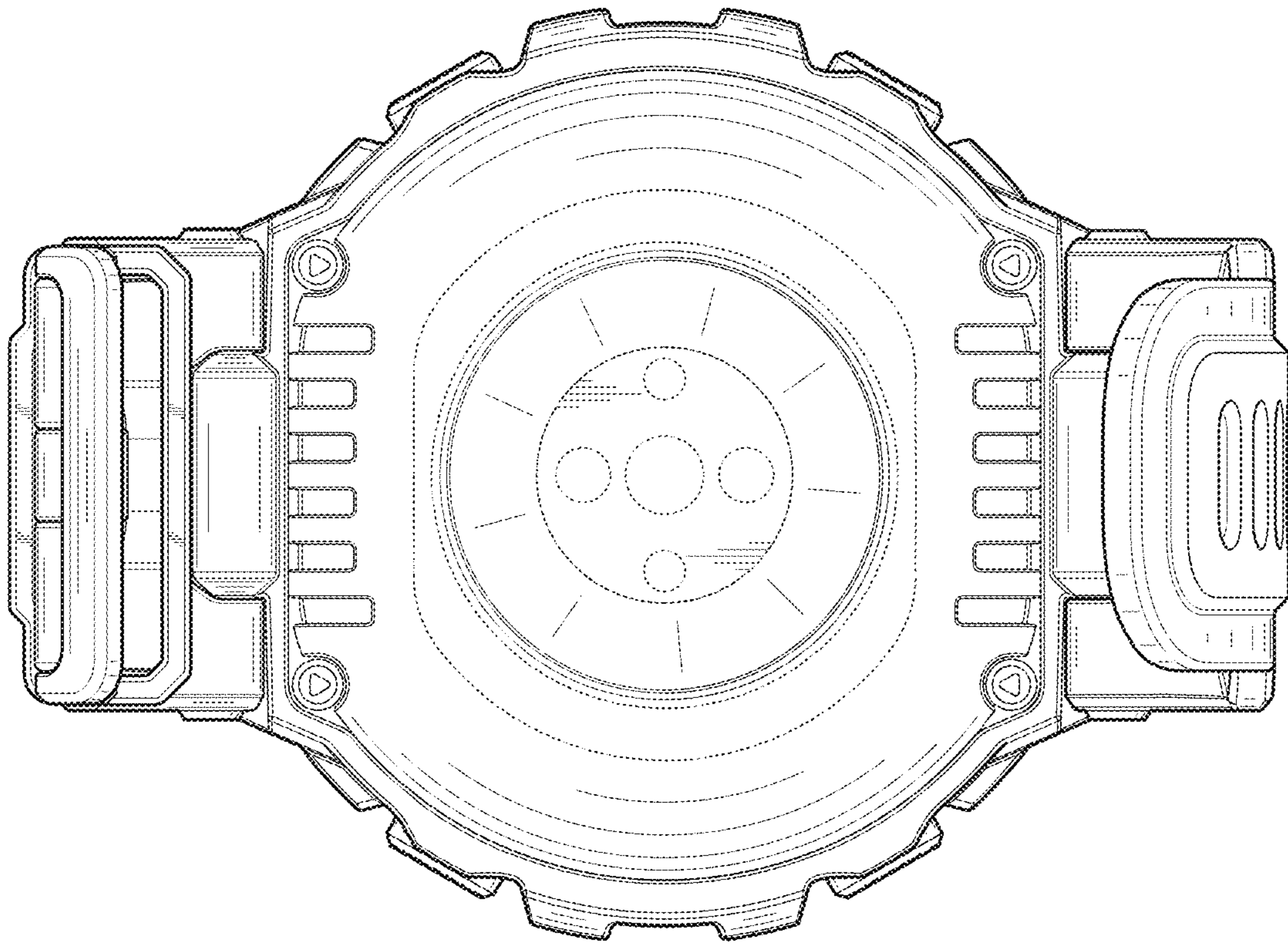


FIG. 3

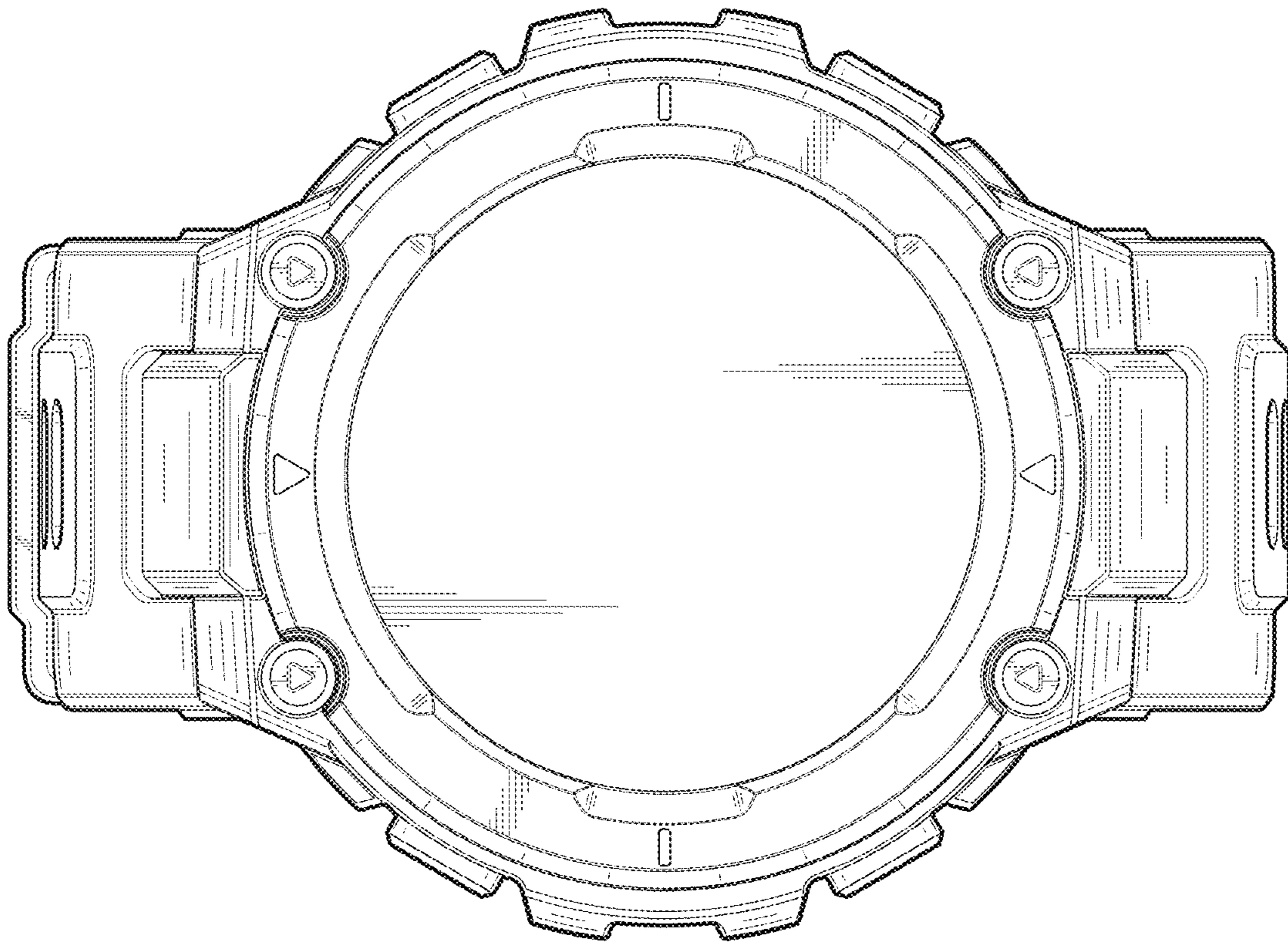


FIG. 2

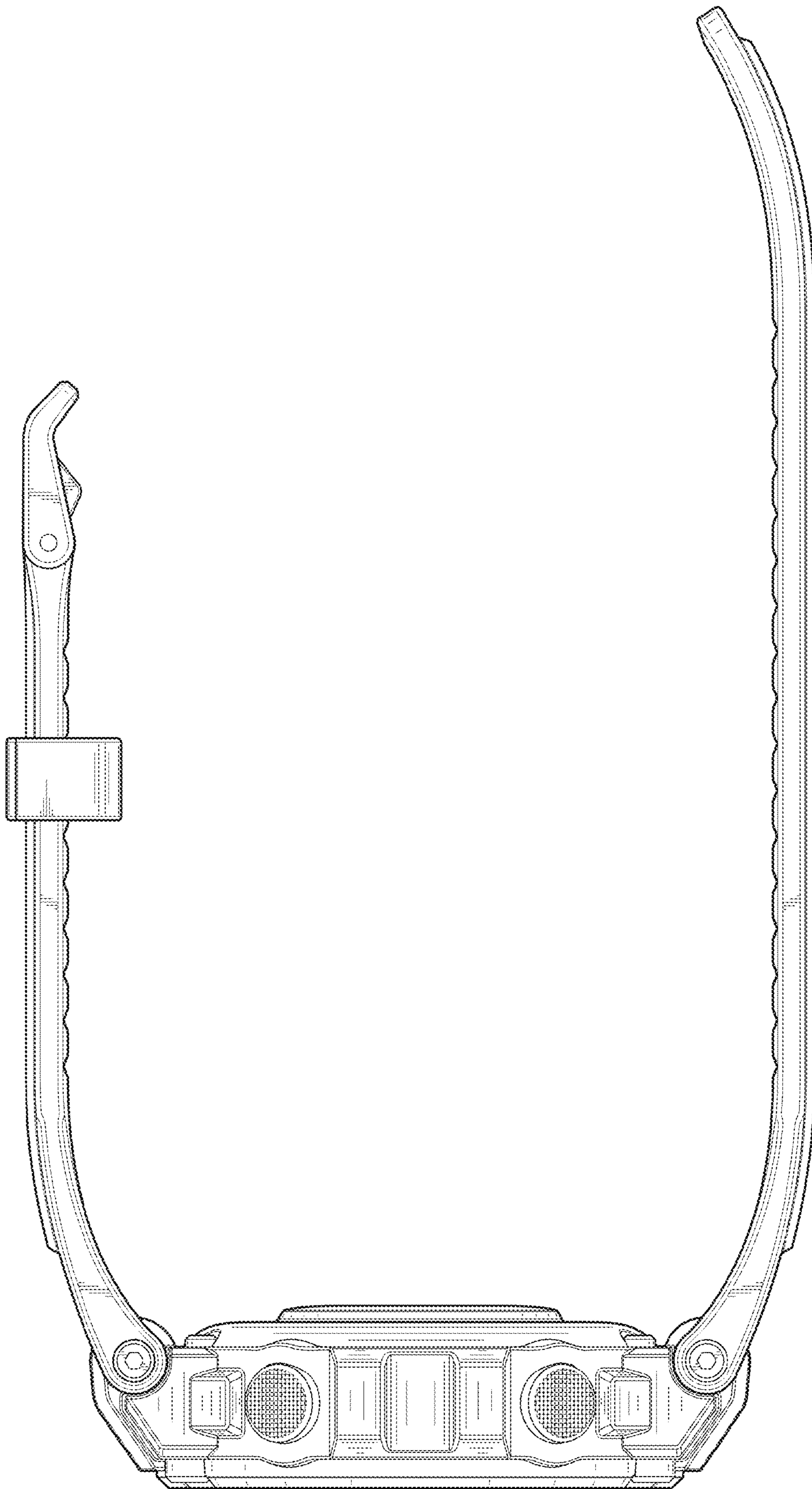


FIG. 4

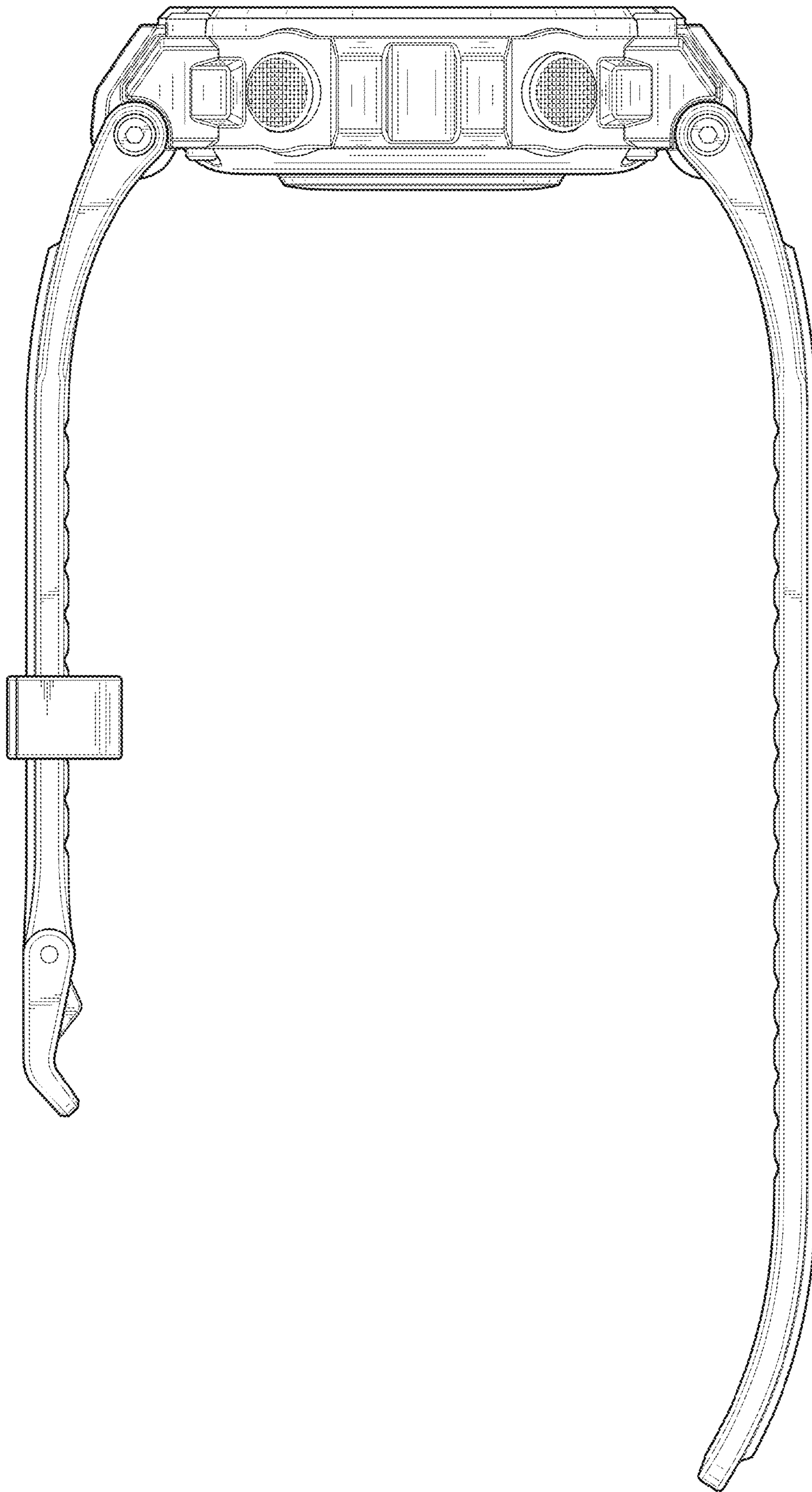


FIG. 5

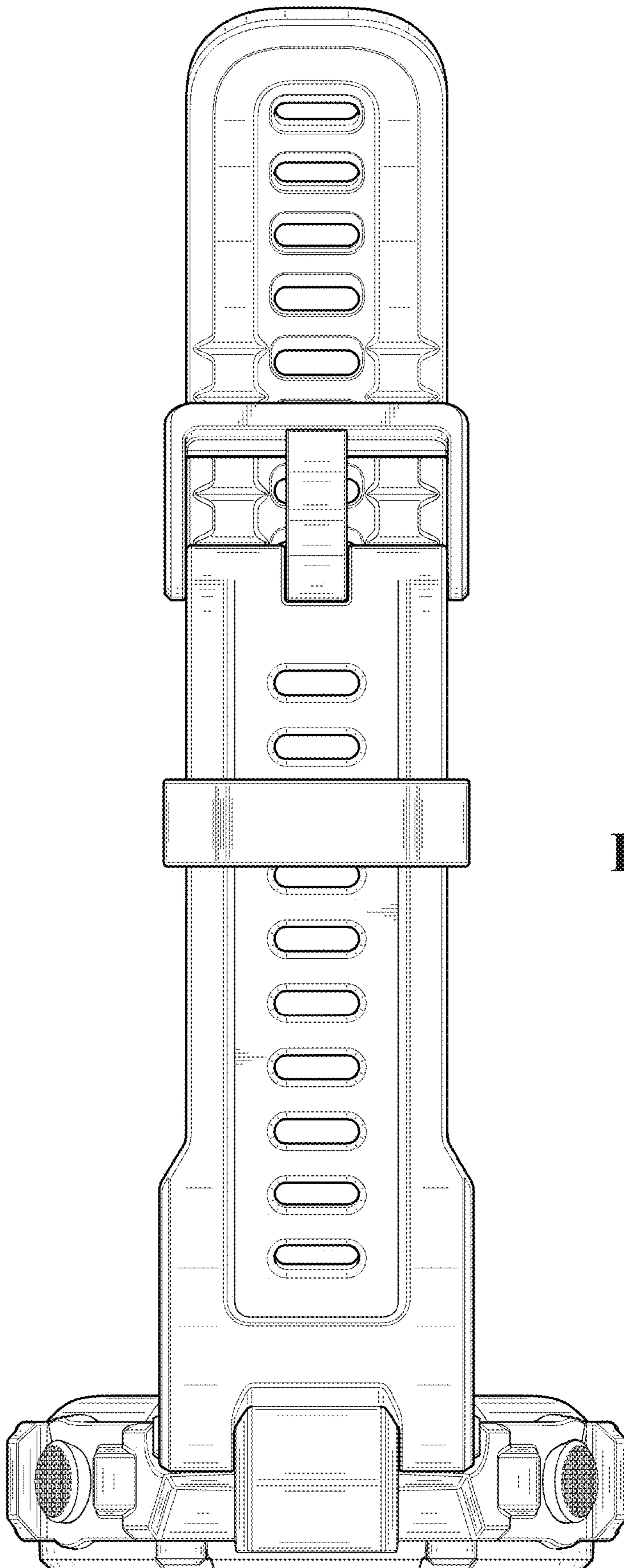
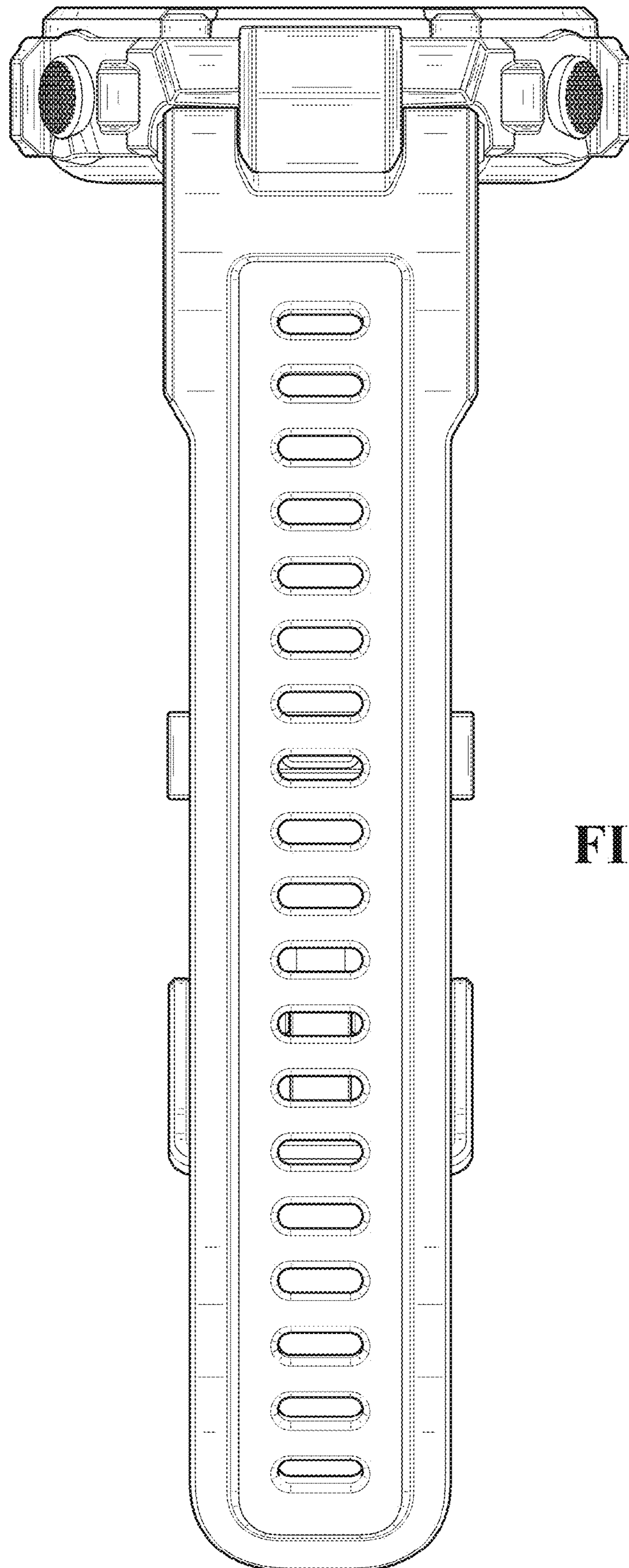


FIG. 6



**FIG. 7**