



US00D929242S

(12) **United States Design Patent**
Nishi

(10) **Patent No.:** **US D929,242 S**

(45) **Date of Patent:** **** Aug. 31, 2021**

(54) **WALL CLOCK**

(71) Applicant: **Rhythm Watch Co., Ltd.**, Saitama (JP)

(72) Inventor: **Kiyokazu Nishi**, Saitama (JP)

(73) Assignee: **Rhythm Watch Co., Ltd.**, Saitama (JP)

(**) Term: **15 Years**

(21) Appl. No.: **29/713,691**

(22) Filed: **Nov. 18, 2019**

(30) **Foreign Application Priority Data**

May 22, 2019 (JP) 2019-011119

(51) **LOC (13) Cl.** **10-01**

(52) **U.S. Cl.**
USPC **D10/6; D10/7; D10/11**

(58) **Field of Classification Search**
USPC D10/1-2, 5-7, 10, 14-15, 19, 22, 28-29,
D10/40-41, 129; D14/170-171
CPC G04C 19/00; G04C 19/02; G04C 21/04;
G04C 21/06; G04C 23/00; G04C 23/02;
G04C 23/08; G04C 17/00; G04C
17/0058; G04G 17/00; G04G 17/08;
G04G 17/086; G04G 13/00; G04G 13/02;
G04B 19/00; G04B 19/04; G04B 37/00;
G04B 19/005; G04B 19/0041; G04B
45/00; G04B 45/0038; G04B 45/0069;
G04B 45/0076; G04B 25/06

See application file for complete search history.

(56) **References Cited**

U.S. PATENT DOCUMENTS

D89,087 S * 1/1933 Nathan D10/6
D117,916 S * 12/1939 Williams D10/1
D219,272 S * 11/1970 Schipper D21/531

D220,355 S * 3/1971 Judson D10/9
D240,210 S * 6/1976 Buckingham D10/124
D253,693 S * 12/1979 Guyll D10/126
D302,125 S * 7/1989 Bevins D10/2
D365,763 S * 1/1996 Mateer D10/6
D375,697 S * 11/1996 Villa, Sr. D10/104.1
D391,173 S * 2/1998 Wang D10/11
D432,023 S * 10/2000 Fox D10/126
D448,683 S * 10/2001 Hui D10/57
D462,389 S * 9/2002 Provence D10/128
D494,871 S * 8/2004 Phillips D10/106.1
D598,786 S * 8/2009 Buchheim D10/6
8,687,468 B2 * 4/2014 Nagatake G04B 45/0061
368/233
D707,136 S * 6/2014 Nishi D10/1
D734,172 S * 7/2015 Nishi D10/22
D776,549 S * 1/2017 Nishi D10/1
2020/0225617 A1 * 7/2020 Bohne-Linnard
G04B 45/0069

* cited by examiner

Primary Examiner — Katherine Glennon

(74) *Attorney, Agent, or Firm* — Hoffmann & Baron, LLP

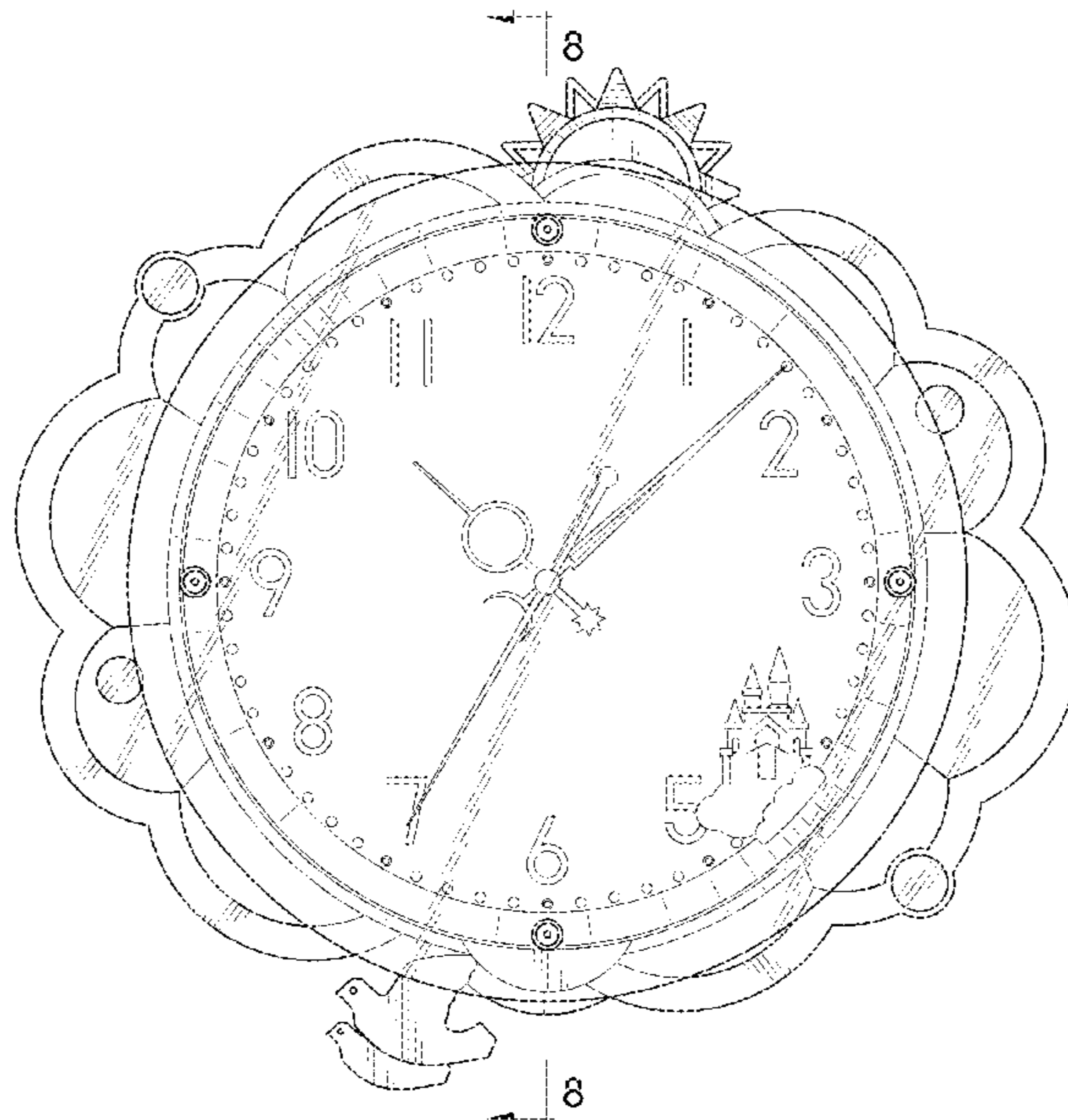
(57) **CLAIM**

The ornamental design for the wall clock, as shown and described.

DESCRIPTION

FIG. 1 is a perspective view of a wall clock;
FIG. 2 is a front view of the wall clock shown in FIG. 1;
FIG. 3 is a back view of the wall clock shown in FIG. 1;
FIG. 4 is a left side view of the wall clock shown in FIG. 1;
FIG. 5 is a right side view of the wall clock shown in FIG. 1;
FIG. 6 is a top view of the wall clock shown in FIG. 1;
FIG. 7 is a bottom view of the wall clock shown in FIG. 1;
and,
FIG. 8 is a cross-sectional view of the wall clock shown in FIG. 2.

1 Claim, 6 Drawing Sheets



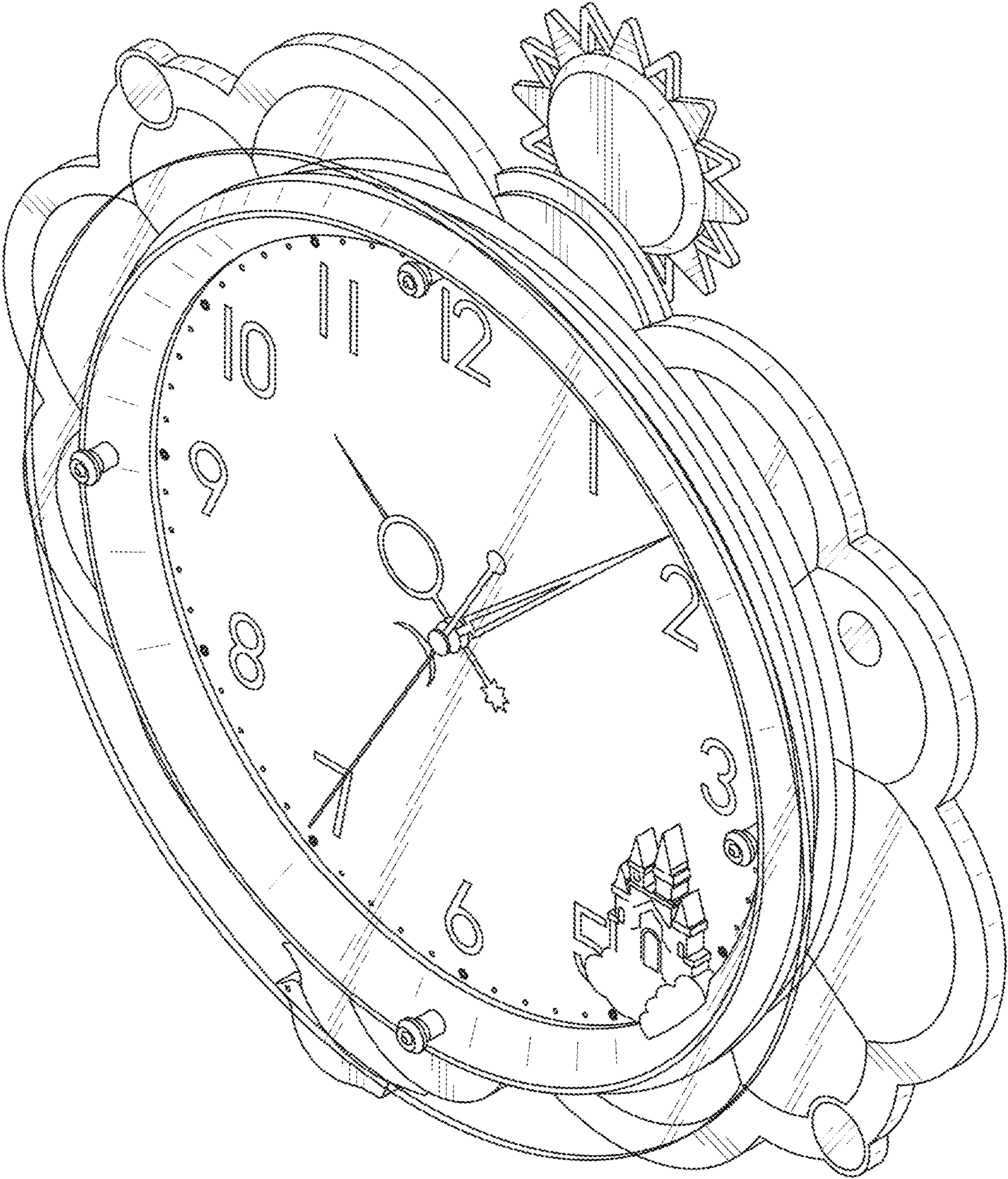


FIG. 1

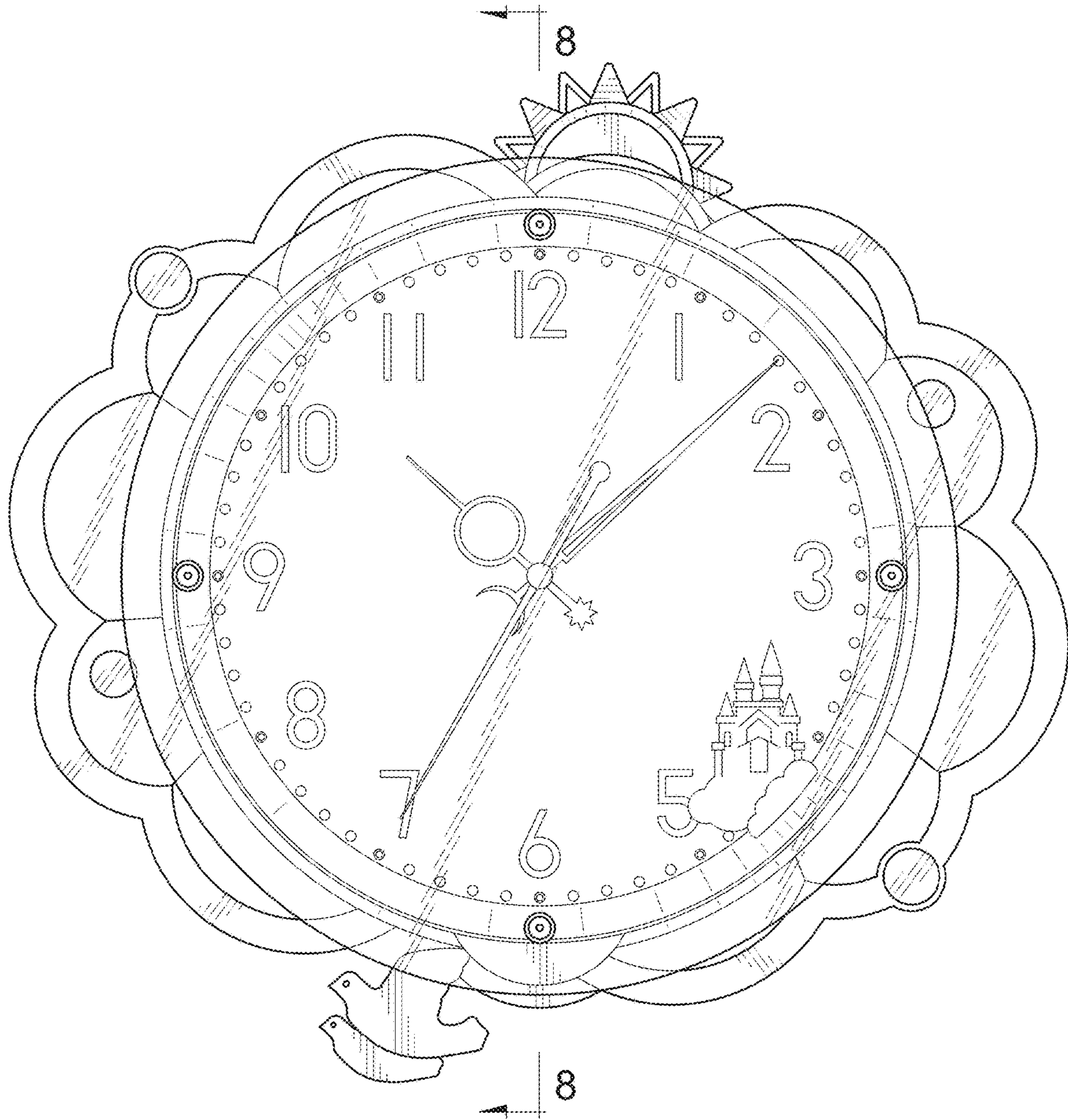


FIG. 2

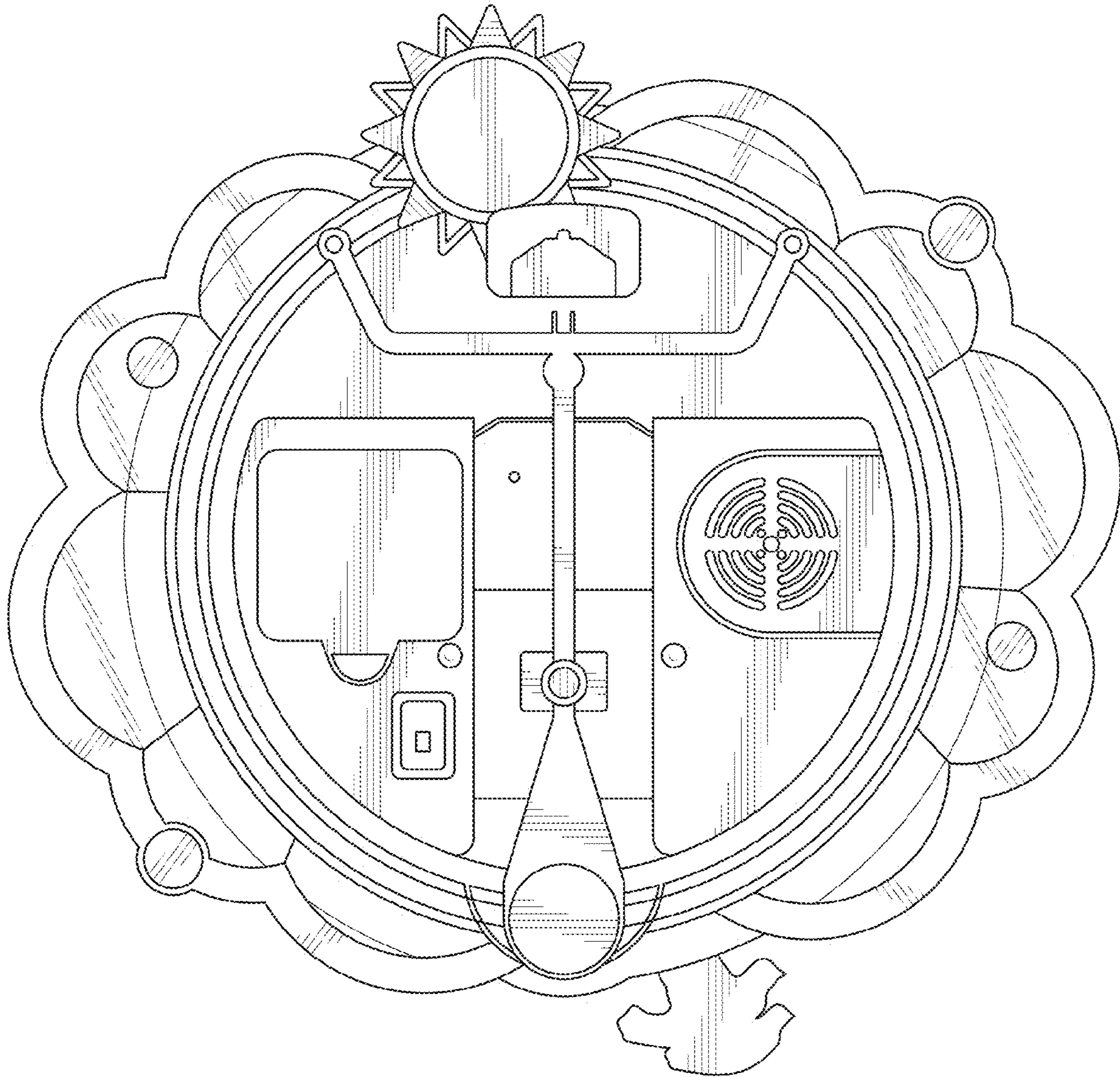


FIG. 3

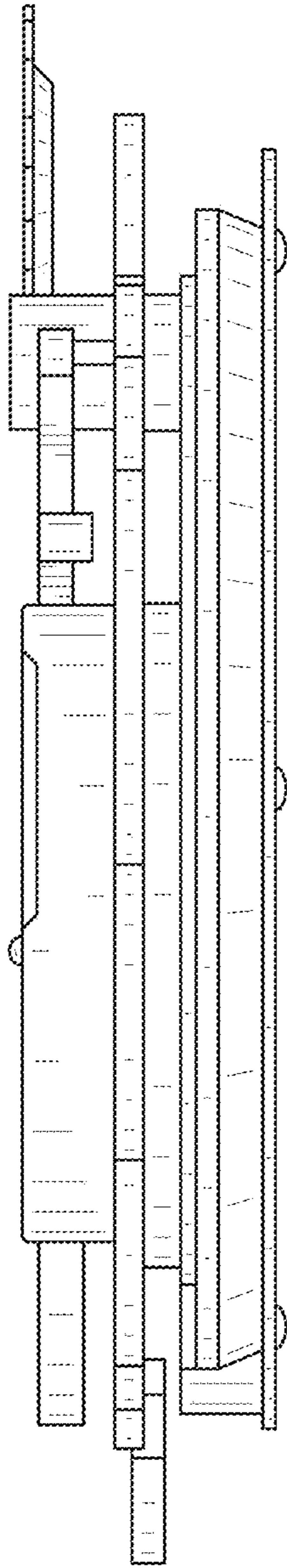


FIG. 4

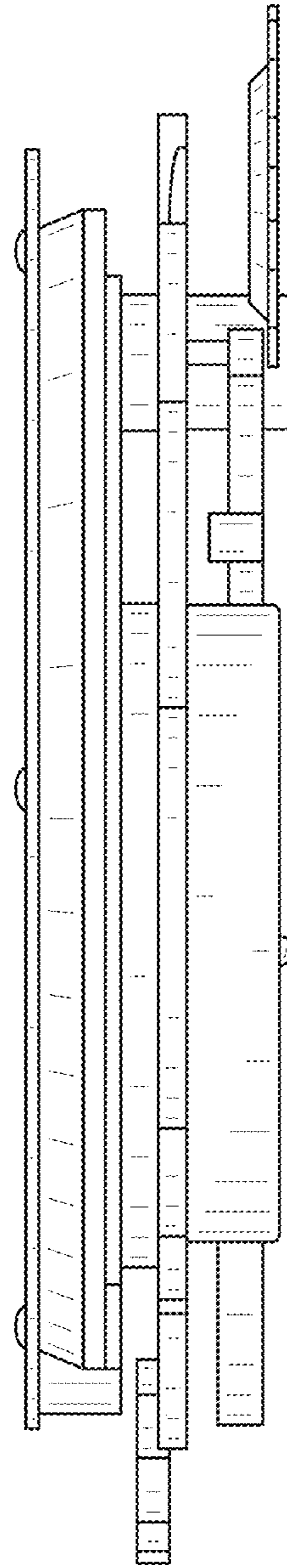


FIG. 5

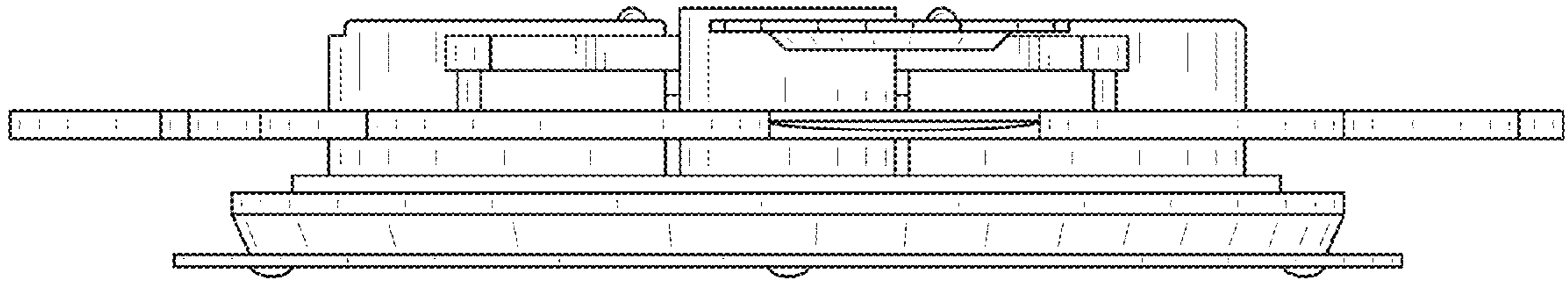


FIG. 6

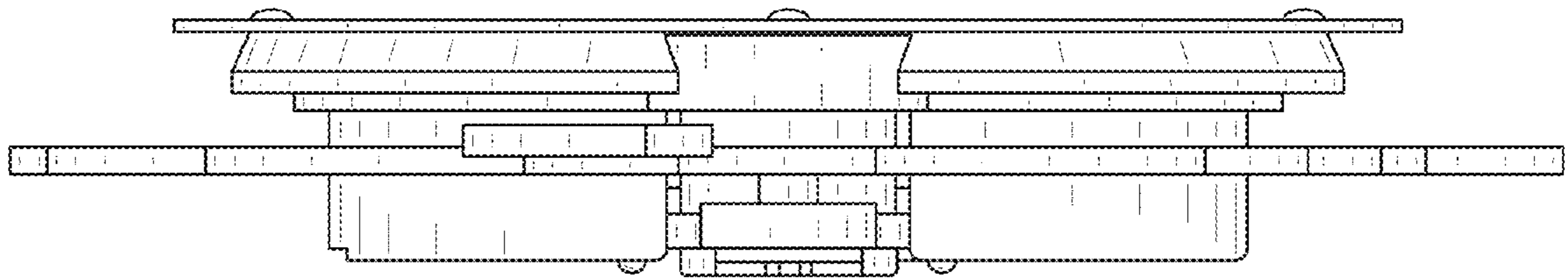


FIG. 7

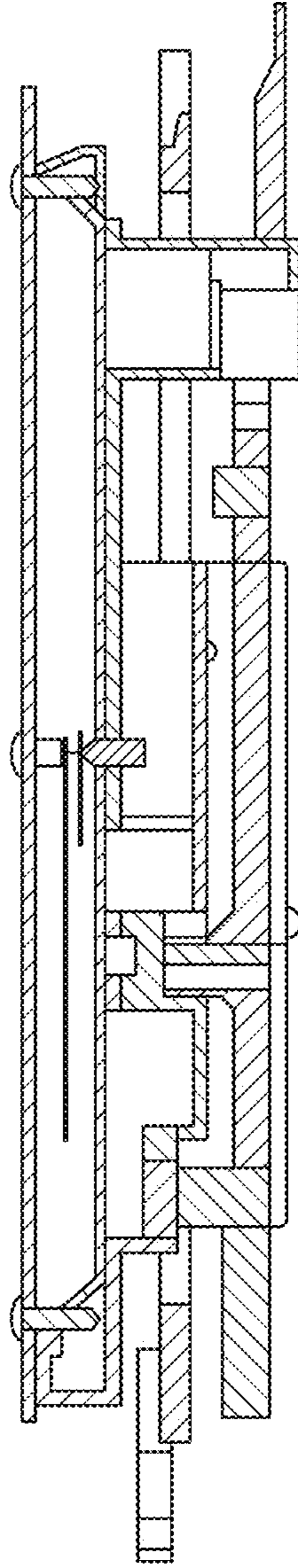


FIG. 8