



US00D929240S

(12) **United States Design Patent**
Choi

(10) **Patent No.:** **US D929,240 S**

(45) **Date of Patent:** **** Aug. 31, 2021**

- (54) **COMBINED VIRTUAL REALITY EQUIPMENT AND PACKAGING**
- (71) Applicant: **Hae-Yong Choi**, Seoul (KR)
- (72) Inventor: **Hae-Yong Choi**, Seoul (KR)
- (73) Assignee: **MOCOMTECH CO., LTD**, Dongducheon-si (KR)

D275,180 S * 8/1984 Bakus D9/722
 4,781,289 A * 11/1988 Perkins B65D 75/36
 206/45.24
 D309,480 S * 7/1990 Olney D21/455
 D376,102 S * 12/1996 Patapanian D9/415
 6,615,986 B2 * 9/2003 Pirro B65D 73/0092
 206/459.5
 D544,788 S * 6/2007 Brittain D9/415
 7,614,498 B2 * 11/2009 O'Keefe B65D 75/366
 206/459.5

(**) Term: **15 Years**

* cited by examiner

(21) Appl. No.: **29/717,198**

Primary Examiner — Lauren R Calve

(22) Filed: **Dec. 16, 2019**

(74) *Attorney, Agent, or Firm* — John K. Park; Park Law Firm

(51) **LOC (13) Cl.** **09-03**

(52) **U.S. Cl.**

USPC **D9/722**

(58) **Field of Classification Search**

USPC D9/415, 418, 424, 715, 722, 732
 CPC B65D 75/327; B65D 75/36; B65D 75/366;
 B65D 75/367; B65D 75/32; B65D
 2575/3245; B65D 75/326; B65D
 2575/366; B65D 2585/88; B65D 75/322;
 B65D 77/2032; B65D 5/4204; B65D
 75/22; B65D 77/0413; B65D 5/4208;
 B65D 77/02; B65D 25/22; B65D
 75/5833; B65D 85/00; B65D 2543/00194;
 B65D 2301/20; B65D 2575/3218; B65D
 73/0007; B65D 73/0042

See application file for complete search history.

(56) **References Cited**

U.S. PATENT DOCUMENTS

D233,318 S * 10/1974 Moberly et al. D9/722
 3,972,417 A * 8/1976 Iten B65D 75/366
 206/354

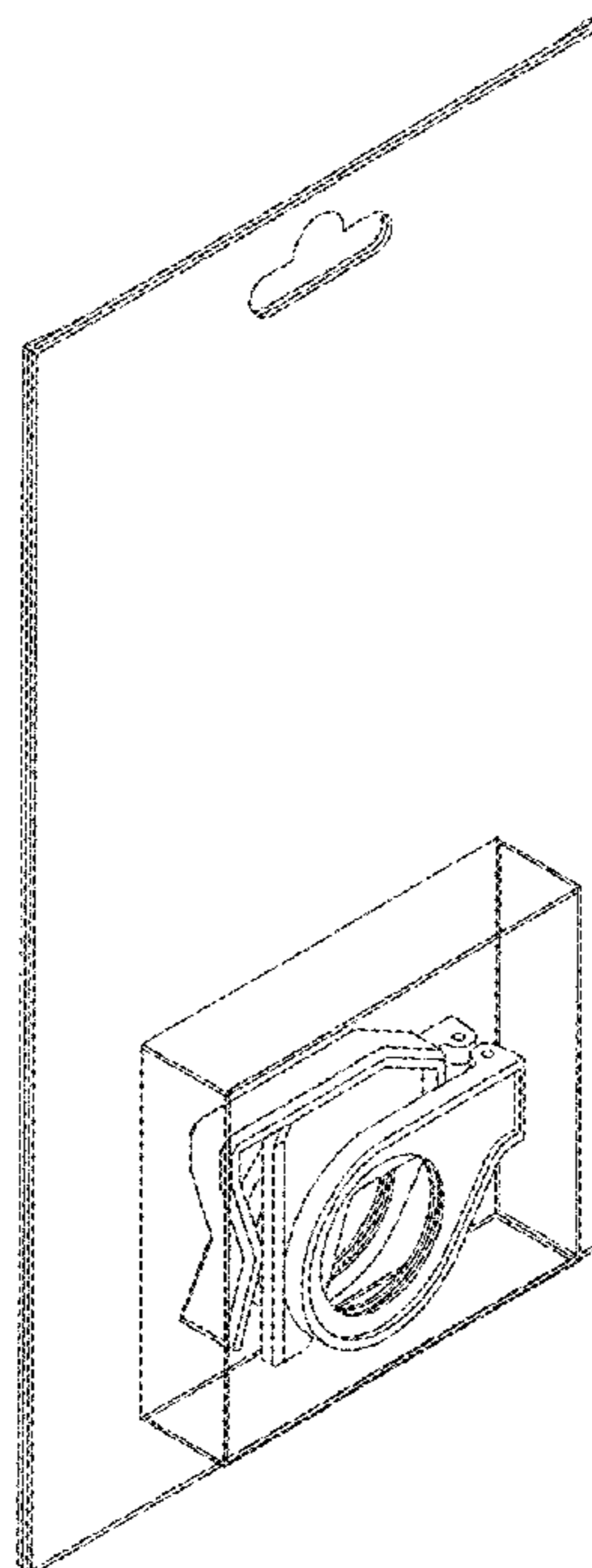
(57) **CLAIM**

The ornamental design for a combined virtual reality equipment and packaging, as shown and described.

DESCRIPTION

FIG. 1 is a perspective view of the combined virtual reality equipment and packaging showing my new design;
 FIG. 2 is a top plan view thereof;
 FIG. 3 is a bottom plan view thereof;
 FIG. 4 is a left side view thereof;
 FIG. 5 is a right side view thereof;
 FIG. 6 is a front view thereof; and,
 FIG. 7 is a rear view of the combined virtual reality equipment and packaging.

1 Claim, 6 Drawing Sheets



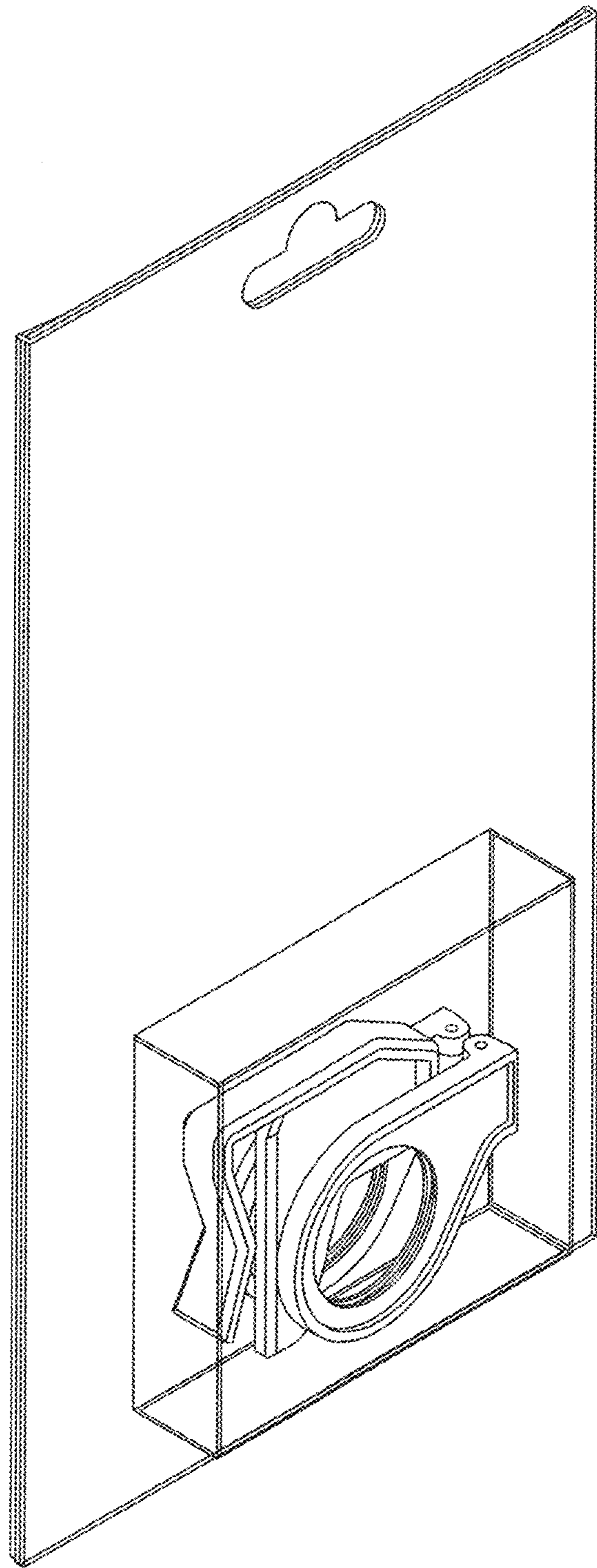


Fig.1

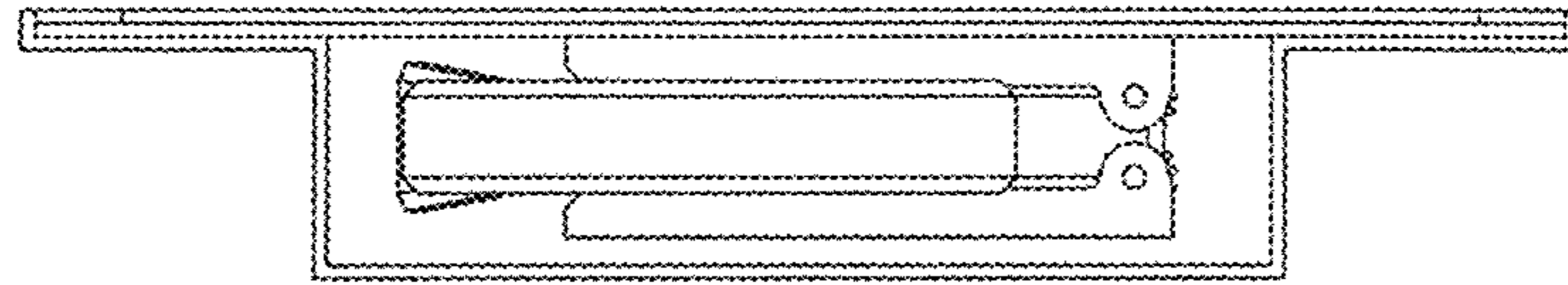


Fig.2

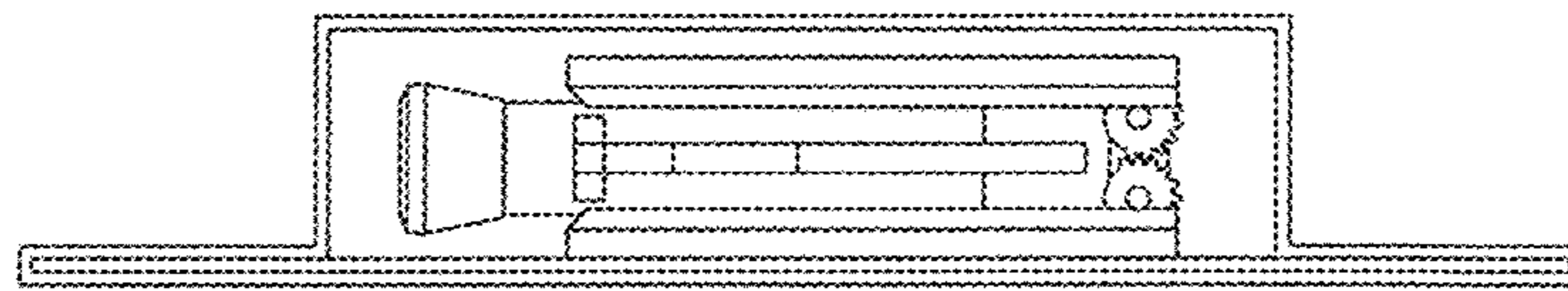


Fig.3

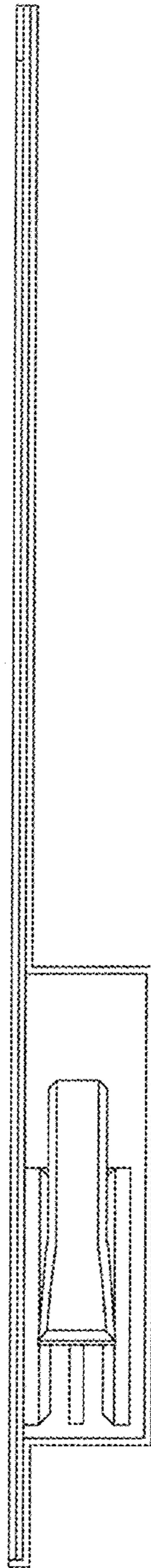


Fig.4

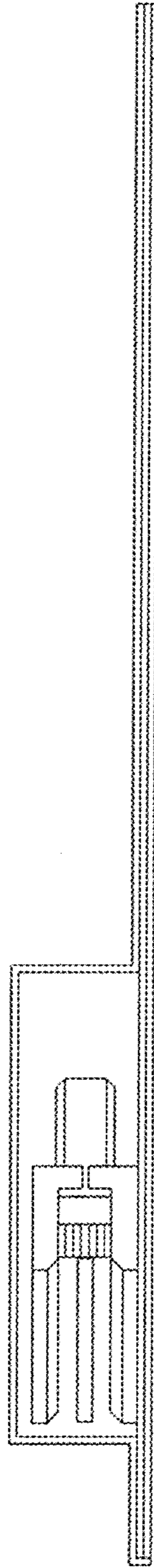


Fig.5

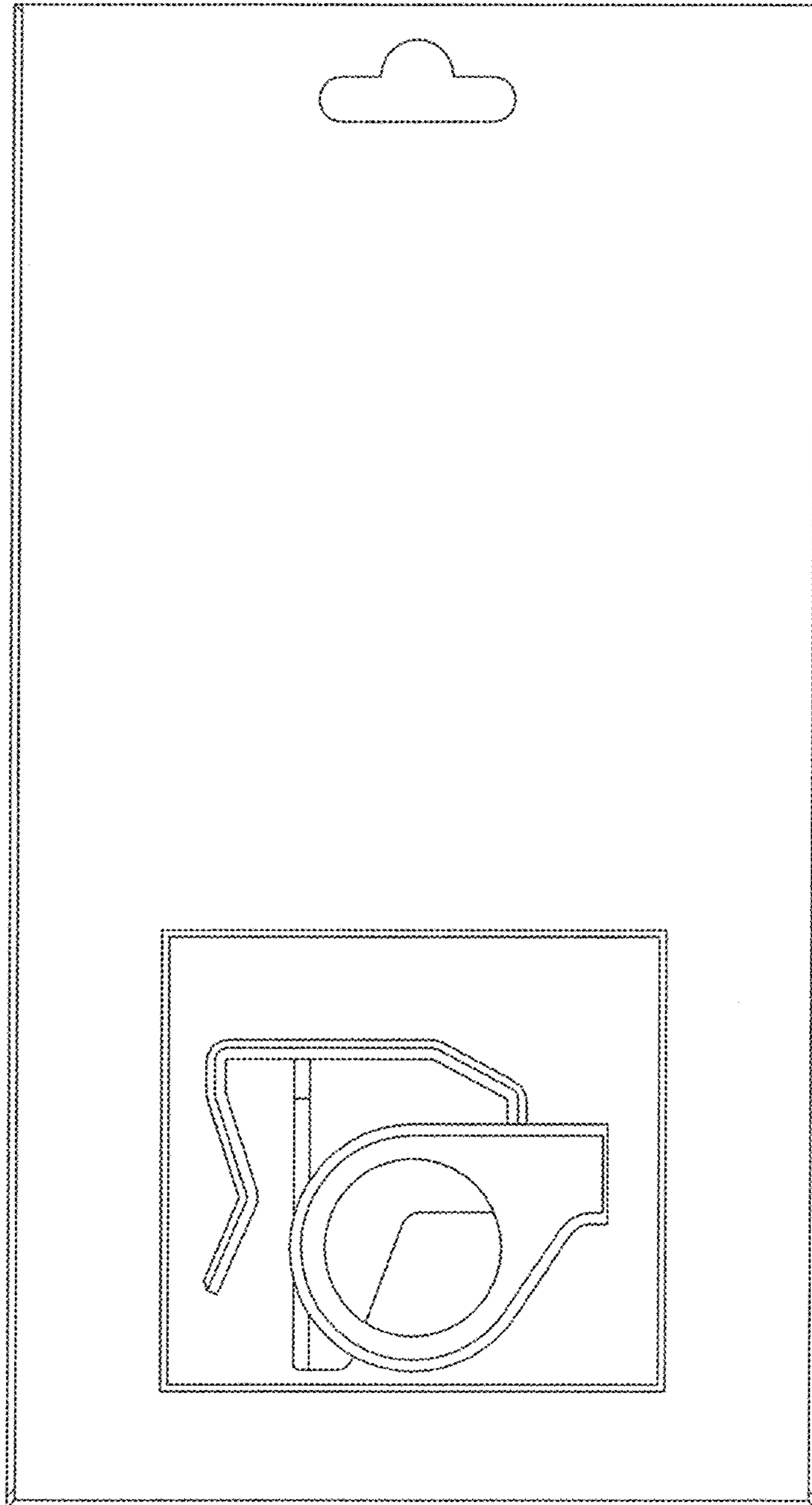


Fig.6

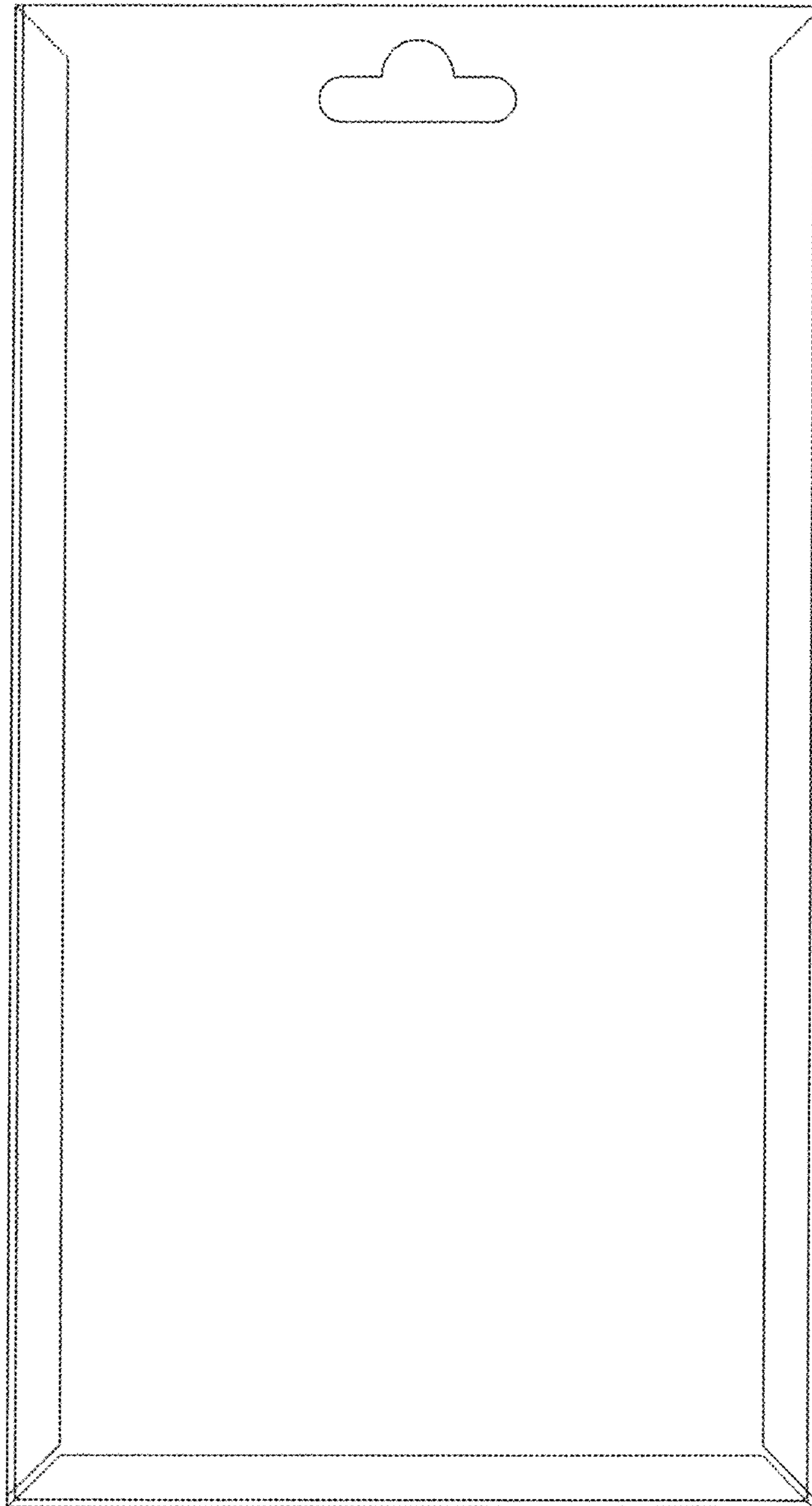


Fig.7