



US00D929238S

(12) **United States Design Patent** (10) **Patent No.:** **US D929,238 S**
Chen et al. (45) **Date of Patent:** **** Aug. 31, 2021**

(54) **LAWN REFUSE BAG**
(71) Applicant: **Pratt Corrugated Holdings, Inc.**,
Conyers, GA (US)
(72) Inventors: **Shifeng Chen**, Newport News, VA
(US); **Greg Sollie**, Sharpsburg, GA
(US); **Jamie Waltermire**, Peachtree
City, GA (US)

672,657 A 4/1901 Vautrot
1,088,633 A 2/1914 Simmons
1,234,057 A 7/1917 McIntyre
1,571,608 A 2/1926 Stillman
1,846,542 A 2/1932 Budd
1,858,793 A 5/1932 Archibald
1,879,410 A 9/1932 Morris et al.
1,879,950 A 9/1932 Read, Jr.

(Continued)

(73) Assignee: **Pratt Corrugated Holdings, Inc.**,
Conyers, GA (US)

FOREIGN PATENT DOCUMENTS

DE 202013007170 11/2013
JP 2004024200 1/2004

(**) Term: **15 Years**

(21) Appl. No.: **29/715,749**

(22) Filed: **Dec. 4, 2019**

(51) **LOC (13) Cl.** **09-05**

(52) **U.S. Cl.**
USPC **D9/704**

(58) **Field of Classification Search**
USPC D9/702-714, 719, 738-740, 517-518,
D9/522, 416, 435, 444, 460, 455, 414,
D9/499, 431-432; D7/560-562;
206/434, 426-427, 429-430, 485, 485.1,
206/499, 508, 431, 418-422, 588-594;
229/117.3, 185, 121, 122, 200, 207, 236,
229/87.01; 220/23.83; 150/100-118;
294/137, 152; 383/6, 10, 14, 20, 40, 33,
383/104-105, 117, 108, 120, 93, 121.1,
383/127; 428/34.3
CPC B65D 33/00; B65D 33/06; B65D 33/065;
B65D 33/14; B65D 33/1683; B65D
33/12; B65D 31/00; B65D 31/04; B65D
31/10; B65D 31/12; A45C 3/04; A45C
3/10

See application file for complete search history.

(56) **References Cited**

U.S. PATENT DOCUMENTS

474,382 A 5/1892 Haines
645,544 A 3/1900 Bissell

OTHER PUBLICATIONS

Muse, John Richard; Issue Notification for U.S. Appl. No. 14/854,777,
filed Sep. 15, 2015, dated Nov. 22, 2016; 1 pg.

(Continued)

Primary Examiner — Abraham Bahta
(74) *Attorney, Agent, or Firm* — Taylor English Duma
LLP

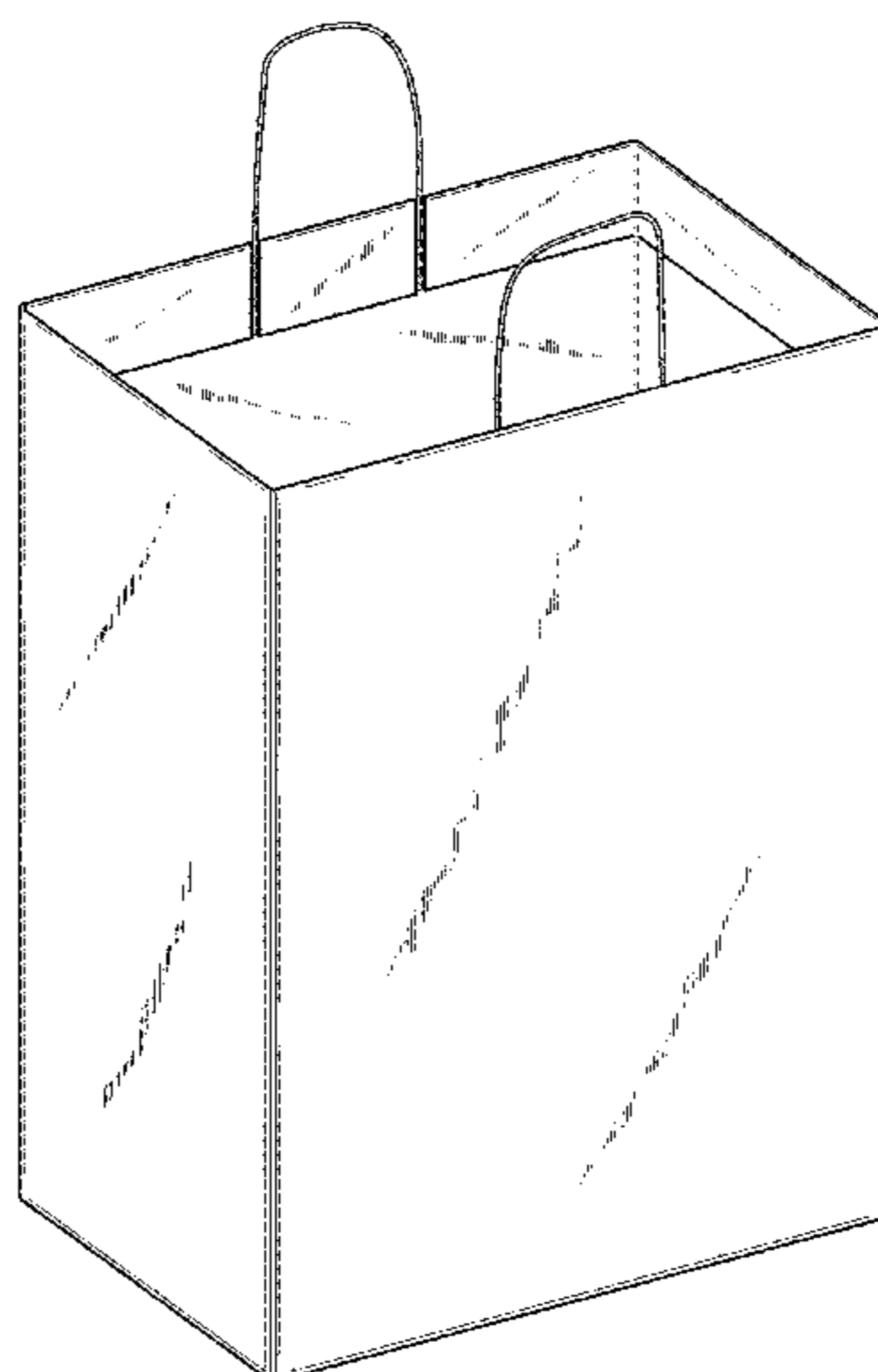
(57) **CLAIM**

We claim the ornamental design for a lawn refuse bag, as
shown and described.

DESCRIPTION

FIG. 1 is a top perspective view of an aspect of the lawn
refuse bag in an assembled configuration.
FIG. 2 is a right-side elevation view thereof.
FIG. 3 is a left-side elevation view thereof.
FIG. 4 is a front elevation view thereof.
FIG. 5 is a rear elevation view thereof.
FIG. 6 is a top plan view thereof.
FIG. 7 is a bottom plan view thereof; and,
FIG. 8 is a top plan view of the lawn refuse bag of FIG. 1
in a blank configuration.
The features shown in dashed lines in FIG. 8 represent bend
lines.

1 Claim, 8 Drawing Sheets



(56)

References Cited

U.S. PATENT DOCUMENTS

1,898,838 A	2/1933	Katz	6,116,549 A	9/2000	Santa Cruz et al.	
1,916,519 A	7/1933	Madsen	6,131,759 A	10/2000	Young	
1,986,898 A	1/1935	Smithwick	6,135,518 A	10/2000	Holthaus	
2,430,155 A	11/1947	Buttery	6,189,841 B1	2/2001	LaPoint et al.	
2,550,959 A	5/1951	Bowman	6,202,718 B1	3/2001	Innocenti	
2,939,614 A	6/1960	Hill	6,273,156 B1	8/2001	Carillo	
3,257,068 A	6/1966	Wright	6,296,212 B1	10/2001	Monahan	
3,324,906 A	6/1967	Chu	6,340,037 B1	1/2002	Stafford	
3,335,769 A	8/1967	Ilg	6,367,747 B1	4/2002	Mulle	
3,578,236 A	5/1971	Masayuki	6,415,713 B1	7/2002	Abrams	
3,734,340 A	5/1973	Ippolito et al.	6,431,435 B1	8/2002	Jones et al.	
3,746,240 A	7/1973	Flynn	6,450,461 B1	9/2002	Lohmann	
3,891,136 A	6/1975	Woeste	6,481,617 B2	11/2002	Yang	
3,938,731 A	2/1976	Ross et al.	6,536,488 B1	3/2003	Pochobradsky	
3,977,594 A	8/1976	Swan	6,554,810 B1	4/2003	Wilk et al.	
3,983,914 A	10/1976	Benson	6,659,407 B2	12/2003	Asaro	
4,037,778 A	7/1977	Boyle	D485,166 S *	1/2004	Clark	D9/704
4,115,909 A	9/1978	Corella	6,708,742 B2	3/2004	Weathers et al.	
4,139,029 A	2/1979	Geraci	D494,853 S *	8/2004	Chan	D9/704
4,258,842 A	3/1981	Falkstein	D498,667 S *	11/2004	Clark	D9/703
4,268,081 A	5/1981	Hawkinson	D500,457 S	1/2005	Peeples et al.	
4,273,167 A	6/1981	Stillwell	D502,582 S	3/2005	Boles	
4,338,979 A	7/1982	Dow	6,860,094 B1	3/2005	Abrams	
4,361,267 A	11/1982	Wozniacki	6,866,070 B2	3/2005	King	
4,366,916 A	1/1983	Guido et al.	6,896,015 B2	5/2005	Beveridge	
4,386,729 A	6/1983	Schmidt	D513,352 S	12/2005	Weathers et al.	
4,457,483 A	7/1984	Gagne	6,983,965 B1	1/2006	Bergell	
4,530,533 A	7/1985	Dieter	7,066,220 B1	6/2006	Take et al.	
4,628,007 A	12/1986	Ledsham	7,066,379 B2	6/2006	McLeod et al.	
4,643,380 A	2/1987	Copeland	7,152,894 B2	12/2006	Weathers et al.	
4,659,045 A	4/1987	Flynn	7,159,761 B2	1/2007	Abshire et al.	
4,669,689 A	6/1987	Jones	7,246,641 B2	7/2007	Blessman	
4,697,771 A	10/1987	Majors	7,302,978 B1	12/2007	Kolarik	
4,749,011 A	6/1988	Rylander	D567,464 S	4/2008	Dullum	
4,760,982 A	8/1988	Cooke	7,367,600 B1	5/2008	Lew et al.	
4,836,970 A	6/1989	Robbins, III	7,398,913 B2	7/2008	McClure	
4,884,603 A	12/1989	Simpson	7,407,139 B1	8/2008	Dolan	
4,890,652 A	1/1990	Hoerner	D576,500 S *	9/2008	Kim	D9/703
4,909,553 A	3/1990	Hantover	D578,409 S *	10/2008	Clark	D9/703
4,940,200 A	7/1990	Sawyer	7,434,721 B2	10/2008	Feltz	
4,955,496 A	9/1990	Nelson	7,494,096 B2	2/2009	Paloian et al.	
4,979,547 A	12/1990	Hoerner	D593,721 S	6/2009	Koll	
5,018,637 A	5/1991	Miller	7,604,156 B2	10/2009	Clohessy	
5,033,780 A	7/1991	Wootten	7,625,026 B2	12/2009	Lau	
5,048,778 A	9/1991	Wright	7,651,024 B2	1/2010	Barner	
5,054,724 A	10/1991	Hutcheson	7,694,838 B2	4/2010	Yang	
5,056,679 A	10/1991	Lonczak	7,712,623 B2	5/2010	Wentz et al.	
5,065,965 A	11/1991	Aulabaugh	7,736,057 B2	6/2010	Vanbost	
5,080,308 A	1/1992	Franks	7,810,766 B2	10/2010	Blessman	
5,090,756 A	2/1992	Pfisterer	7,815,153 B2	10/2010	Campbell et al.	
5,129,609 A	7/1992	Tobin	D633,268 S	2/2011	Bottita	
5,271,589 A	12/1993	Belous	D639,519 S	6/2011	Gomez	
5,285,988 A	2/1994	Bogren	D648,912 S	11/2011	Cantu	
5,292,093 A	3/1994	Shumake	D699,014 S	2/2014	Lohrke et al.	
5,316,060 A	5/1994	Hogdon et al.	8,757,563 B2	6/2014	Muse	
5,372,269 A	12/1994	Sutton et al.	8,840,072 B2	9/2014	Muse	
5,400,989 A	3/1995	Gaskill	8,978,964 B1	3/2015	Ruggiere, Sr.	
D361,185 S	8/1995	Seiler et al.	9,056,715 B2	6/2015	Muse	
5,593,117 A	1/1997	Alexander	9,102,432 B2	8/2015	Muse	
5,610,230 A	3/1997	Yoshida et al.	D738,743 S *	9/2015	Galmarini	D9/631
5,716,033 A	2/1998	Gibson	9,352,870 B2	5/2016	Muse	
D391,722 S	3/1998	Sheppard	9,517,884 B2	12/2016	Muse	
5,765,614 A	6/1998	Kardosh	9,550,623 B2	1/2017	Muse	
5,816,431 A	10/1998	Giannopoulos	D785,463 S *	5/2017	Akana	D9/703
5,868,364 A	2/1999	MacMillan	9,701,470 B2	7/2017	Muse	
5,871,037 A	2/1999	Feldt	9,896,266 B2	2/2018	Muse	
5,897,084 A	4/1999	Judge	D860,000 S *	9/2019	Baldelomar Bernardin ..	D9/704
5,915,768 A	6/1999	Young	D899,723 S	10/2020	Boyea	
5,918,651 A	7/1999	Gazdy et al.	D900,629 S *	11/2020	Milos	D9/703
5,979,842 A	11/1999	Fan	D909,211 S *	2/2021	Bornmiller	D9/703
6,007,030 A	12/1999	Judge	2002/0074247 A1	6/2002	Tremblay	
6,035,908 A	3/2000	Hoffman	2002/0130224 A1	9/2002	Asaro	
6,073,943 A	6/2000	Serrault	2003/0173471 A1	9/2003	Weathers et al.	
6,085,647 A	7/2000	Burow	2003/0218104 A1	11/2003	Klotz	
6,116,548 A	9/2000	Oleson	2006/0011785 A1	1/2006	McLean	
			2006/0032991 A1	2/2006	Gaines	
			2006/0144467 A1	7/2006	Butzer	
			2008/0023595 A1	1/2008	Armaly, Jr.	
			2008/0128479 A1	6/2008	Bates et al.	

(56)

References Cited

U.S. PATENT DOCUMENTS

2010/0108826 A1 5/2010 Fernandez et al.
 2010/0142860 A1 6/2010 Mincozzi
 2010/0237202 A1 9/2010 Mincozzi
 2010/0243650 A1 9/2010 Manley
 2010/0276247 A1 11/2010 Babineau et al.
 2011/0011921 A1 1/2011 Sorensen
 2011/0309208 A1 12/2011 Muse
 2011/0309209 A1 12/2011 Muse
 2011/0309210 A1 12/2011 Muse
 2012/0110959 A1 5/2012 Serago, Jr.
 2013/0019995 A1 1/2013 Muse
 2013/0020449 A1 1/2013 Muse
 2013/0140308 A1 6/2013 Stowers
 2014/0331616 A1 11/2014 Muse
 2014/0339379 A1 11/2014 Muse
 2015/0232222 A1 8/2015 Muse
 2015/0291354 A1 10/2015 Muse
 2016/0001975 A1 1/2016 Muse
 2016/0236864 A1 8/2016 Muse
 2017/0088350 A1 3/2017 Muse
 2017/0275095 A1 9/2017 Muse
 2021/0070541 A1 3/2021 Chen et al.
 2021/0070542 A1 3/2021 Chen et al.

OTHER PUBLICATIONS

Muse, John Richard; Final Office Action for U.S. Appl. No. 14/854,777, filed Sep. 15, 2015, dated May 24, 2016, 12 pgs.
 Muse, John Richard; Non-Final Office Action for U.S. Appl. No. 14/854,777, filed Sep. 15, 2015, dated Dec. 22, 2015, 38 pgs.
 Muse, John Richard; Issue Notification for U.S. Appl. No. 15/615,895, filed Jun. 7, 2017, dated Jan. 31, 2018, 1 pg.
 Muse, John Richard; Notice of Allowance for U.S. Appl. No. 15/615,895, filed Jun. 7, 2017, dated Dec. 8, 2017, 13 pgs.
 Muse; Non-Final Office Action U.S. Appl. No. 15/615,895, filed Jun. 7, 2017, dated Sep. 14, 2017; 38 pgs.
 Muse, John Richard; Supplemental Notice of Allowability for U.S. Appl. No. 13/551,583, filed Jul. 17, 2012, dated Oct. 15, 2015, 5 pgs.
 Muse, John Richard; Notice of Allowance for U.S. Appl. No. 13/551,583, filed Jul. 17, 2012, dated Sep. 28, 2015, 13 pgs.
 Muse, John Richard; Non-Final Office Action for U.S. Appl. No. 13/551,583, filed Jul. 17, 2012, dated Apr. 1, 2015, 12 pgs.
 Muse, John Richard; Final Office Action for U.S. Appl. No. 13/551,583, filed Jul. 17, 2012, dated Dec. 31, 2014, 16 pgs.
 The Home Depot; Article entitled: "Leaf Easy Plastic Leaf and Lawn Chute", publicly available prior to Aug. 19, 2019, 3 pgs.
 Muse, John Richard; Non-Final Office Action for U.S. Appl. No. 13/551,583, filed Jul. 17, 2012, dated Jul. 15, 2014, 38 pgs.
 Knowledgeboard.co; Article entitled: "Leaf Bag Holder", Apr. 21, 2019, 23 pgs.
 Donthuntmenow.club; Article entitled: "Paper Leaf Bay", Dec. 1, 2018, 23 pgs.
 alibaba.com; Article entitled: "Heavy Duty 32 Gallon Reusable Collapsible Yard Waste Container", publicly available prior to Aug. 19, 2019, 4 pgs.
 Muse, John Richard; Applicant Initiated Interview Summary for U.S. Appl. No. 13/164,464, filed Jun. 20, 2011, dated Mar. 11, 2014, 5 pgs.
 Muse, John Richard; Final Office Action for U.S. Appl. No. 13/164,464, filed Jun. 20, 2011, dated Jan. 10, 2014, 8 pgs.
 Muse, John Richard; Final Office Action for U.S. Appl. No. 13/164,464, filed Jun. 20, 2011, dated Sep. 23, 2013, 8 pgs.
 Muse, John Richard; Final Office Action for U.S. Appl. No. 13/164,464, filed Jun. 20, 2011; dated Feb. 22, 2013, 6 pgs.
 Muse, John Richard; Issue Notification for U.S. Appl. No. 13/164,464, filed Jun. 20, 2011, dated Sep. 3, 2014, 1 pg.
 Muse, John Richard; Non-Final Office Action for U.S. Appl. No. 13/164,464, filed Jun. 20, 2011, dated May 29, 2013, 12 pgs.

Muse, John Richard; Non-Final Office Action for U.S. Appl. No. 13/164,464, filed Jun. 20, 2011; dated Nov. 16, 2012, 17 pgs.
 Muse, John Richard; Notice of Allowance for U.S. Appl. No. 13/164,464, filed Jun. 20, 2011, dated Apr. 29, 2014, 11 pgs.
 Muse, John Richard; Restriction Requirement for U.S. Appl. No. 13/164,464, filed Jun. 20, 2011, dated Oct. 19, 2012; 6 pgs.
 Muse, John Richard; Non-Final Office Action for U.S. Appl. No. 14/447,043, filed Jul. 30, 2014, dated Mar. 31, 2015, 32 pgs.
 Muse, John Richard; Notice of Allowance for U.S. Appl. No. 14/447,043, filed Jul. 30, 2014, dated Jan. 23, 2015, 12 pgs.
 Muse, John Richard; Corrected Notice of Allowability for U.S. Appl. No. 14/447,058, filed Jul. 30, 2014, dated Jul. 8, 2015, 4 pgs.
 Muse, John Richard; Issue Notification for U.S. Appl. No. 14/447,058, filed Jul. 30, 2014, dated Jul. 22, 2015, 1 pg.
 Muse, John Richard; Notice of Allowance for U.S. Appl. No. 14/447,058, filed Jul. 30, 2014, dated Mar. 30, 2015, 34 pgs.
 Muse, John Richard; Non-Final Office Action for U.S. Appl. No. 14/748,772, filed Jun. 24, 2015, dated Oct. 2, 2015, 30 pgs.
 Muse, John Richard; Applicant Initiated Interview Summary for U.S. Appl. No. 13/164,473, filed Jun. 20, 2011, dated Dec. 2, 2013, 3 pgs.
 Muse, John Richard; Final Office Action for U.S. Appl. No. 13/164,473, filed Jun. 20, 2011, dated Dec. 13, 2013, 28 pgs.
 Muse, John Richard; Issue Notification for U.S. Appl. No. 13/164,473, filed Jun. 20, 2011, dated Jun. 4, 2014, 1 pg.
 Muse, John Richard; Notice of Allowance for U.S. Appl. No. 13/164,473, filed Jun. 20, 2011, dated Mar. 13, 2014, 12 pgs.
 Muse, John Richard; Supplemental Notice of Allowability for U.S. Appl. No. 13/164,473, filed Jun. 20, 2011, dated May 27, 2014, 6 pgs.
 Muse, John; Final Office Action for U.S. Appl. No. 13/164,473, filed Jun. 20, 2011, dated Mar. 13, 2013, 16 pgs.
 Muse; Non-Final Office Action for U.S. Appl. No. 13/164,473, filed Jun. 20, 2011, dated Dec. 3, 2012; 19 pgs.
 Muse; Non-Final Office Action for U.S. Appl. No. 13/164,473, filed Jun. 20, 2011, dated Jun. 25, 2013, 14 pgs.
 Muse, John Richard; Final Office Action for U.S. Appl. No. 13/164,481, filed Jun. 20, 2011, dated Apr. 5, 2013, 17 pgs.
 Muse, John Richard; Non-Final Office Action for U.S. Appl. No. 13/164,481, filed Jun. 20, 2011, dated Dec. 5, 2012; 18 pgs.
 Muse, John Richard; Notice of Allowance for U.S. Appl. No. 13/164,481, filed Jun. 20, 2011, dated Oct. 23, 2013, 11 pgs.
 Muse; Non-Final Office Action for U.S. Appl. No. 13/164,481, filed Jun. 20, 2011, dated Jul. 11, 2013, 11 pgs.
 Muse, John Richard; Advisory Action for U.S. Appl. No. 13/551,575, filed Jul. 17, 2012, dated Dec. 4, 2014, 3 pgs.
 Muse, John Richard; Applicant-Initiated Interview Summary for U.S. Appl. No. 13/551,575, filed Jul. 17, 2012, dated Dec. 19, 2014, 3 pgs.
 Muse, John Richard; Final Office Action for U.S. Appl. No. 13/551,575, filed Jul. 17, 2012, dated Sep. 30, 2014, 22 pgs.
 Muse, John Richard; Issue Notification for U.S. Appl. No. 13/551,575, filed Jul. 17, 2012, dated May 27, 2015, 1 pg.
 Muse, John Richard; Non-Final Office Action for U.S. Appl. No. 13/551,575, filed Jul. 17, 2012, dated Dec. 6, 2013, 45 pgs.
 Muse, John Richard; Non-Final Office Action for U.S. Appl. No. 13/551,575, filed Jul. 17, 2012, dated May 16, 2014, 12 pgs.
 Muse, John Richard; Notice of Allowance for U.S. Appl. No. 13/551,575, filed Jul. 17, 2012, dated Feb. 2, 2015, 12 pgs.
 Muse, John Richard; Advisory Action for U.S. Appl. No. 14/701,022, filed Apr. 30, 2015, dated Jan. 21, 2016, 4 pgs.
 Muse, John Richard; Applicant Interview Summary for U.S. Appl. No. 14/701,022, filed Apr. 30, 2015, dated Dec. 22, 2015, 3 pgs.
 Muse, John Richard; Final Office Action for U.S. Appl. No. 14/701,022, filed Apr. 30, 2015, dated Oct. 22, 2015, 27 pgs.
 Muse, John Richard; Issue Notification for U.S. Appl. No. 14/701,022, filed Apr. 30, 2015, dated May 11, 2016, 1 pg.
 Muse, John Richard; Non-Final Office Action for U.S. Appl. No. 14/701,022, filed Apr. 30, 2015, dated Jun. 3, 2015, 12 pgs.
 Muse, John Richard; Notice of Allowance for U.S. Appl. No. 14/701,022, filed Apr. 30, 2015, dated Feb. 8, 2016, 12 pgs.
 Muse, John Richard; Issue Notification for U.S. Appl. No. 15/139,375, filed Apr. 27, 2016, dated Jan. 4, 2017; 1 pg.

(56)

References Cited

OTHER PUBLICATIONS

Muse, John Richard; Notice of Allowance for U.S. Appl. No. 15/139,375, filed Apr. 27, 2016; dated Sep. 28, 2016; 35 pgs.

Muse, John, R.; Applicant Initiated Interview Summary for U.S. Appl. No. 15/139,375, filed Apr. 27, 2016, dated Jun. 6, 2016, 3 pgs.

Muse, John Richard; Issue Notification for U.S. Appl. No. 15/373,103, filed Dec. 8, 2016, dated Jun. 21, 2017; 1 page.

Muse, John Richard; Non-final Office Action for U.S. Appl. No. 15/373,103, filed Dec. 8, 2016, dated Feb. 7, 2017; 9 pgs.

Muse, John Richard; Notice of Allowance for U.S. Appl. No. 15/373,103, filed Dec. 8, 2016, dated Mar. 16, 2017; 6 pgs.

Muse, John Richard, Notice of Allowance for U.S. Appl. No. 14/854,777, filed Sep. 15, 2015, dated Sep. 19, 2016, 10 pgs.

Muse, John Richard; Advisory Action for U.S. Appl. No. 14/854,777, filed Sep. 15, 2015, dated Jul. 25, 2016, 3 pgs.

Muse, John Richard; Applicant Initiated Interview Summary for U.S. Appl. No. 14/854,777, filed Sep. 15, 2015, dated Jun. 16, 2016, 3 pgs.

Muse, John Richard; Applicant-Initiated Interview Summary for U.S. Appl. No. 14/854,777, filed Sep. 15, 2015, dated Aug. 26, 2016; 3 pgs.

Chen, Shifeng; Notice of Allowance for U.S. Design Appl. No. 29/175,742, filed Dec. 4, 2019, dated Jun. 29, 2021, 42 pgs.

* cited by examiner

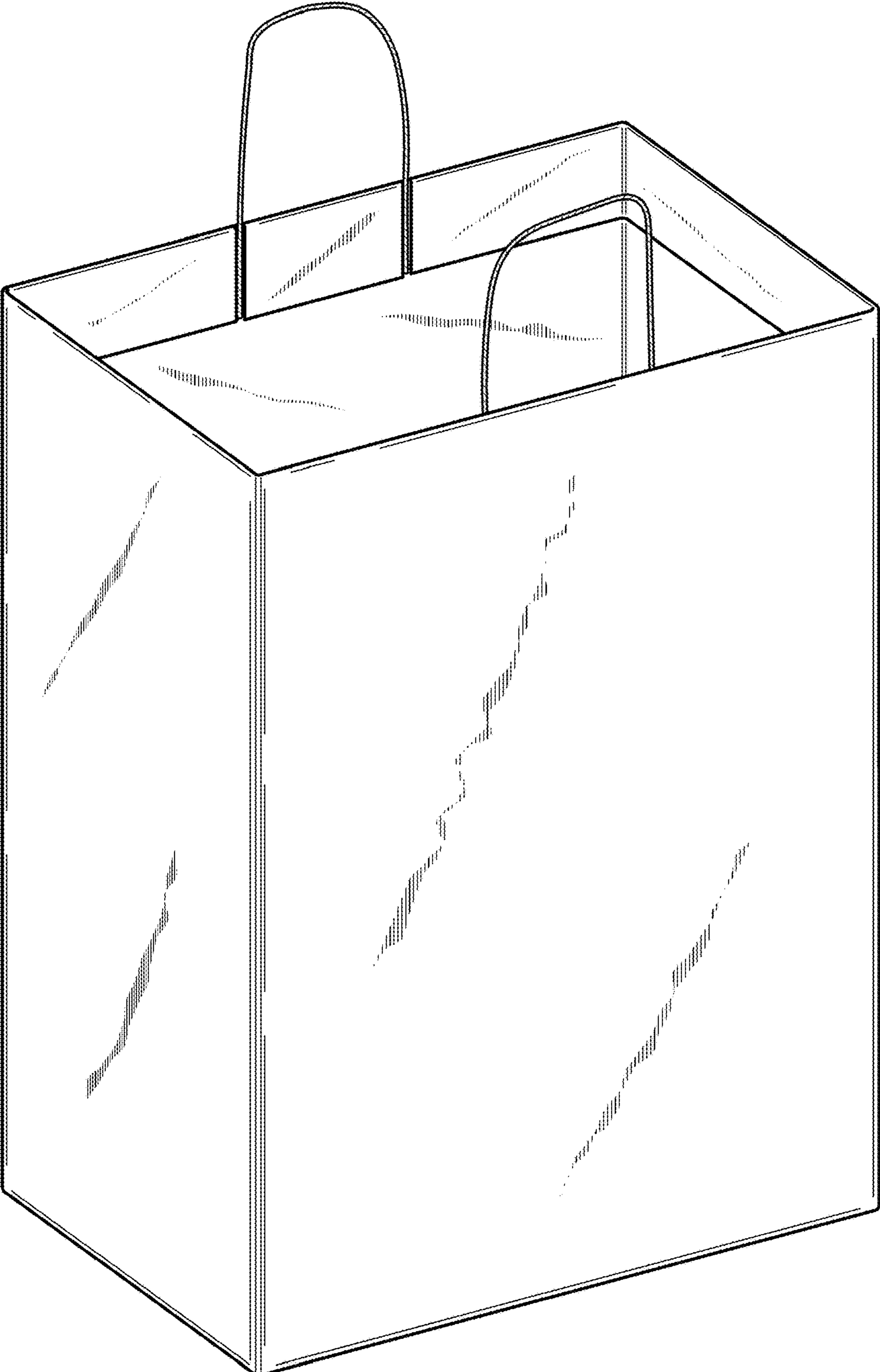


FIG. 1

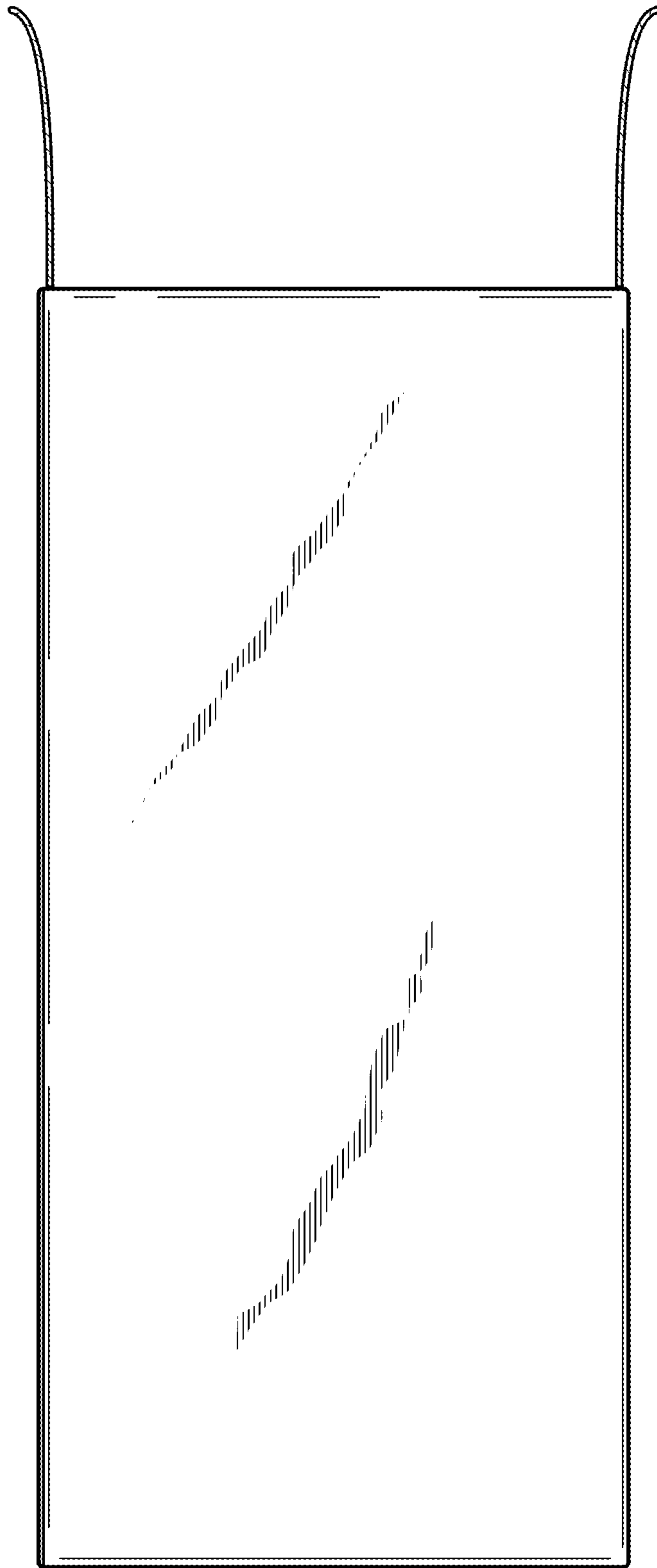


FIG. 2

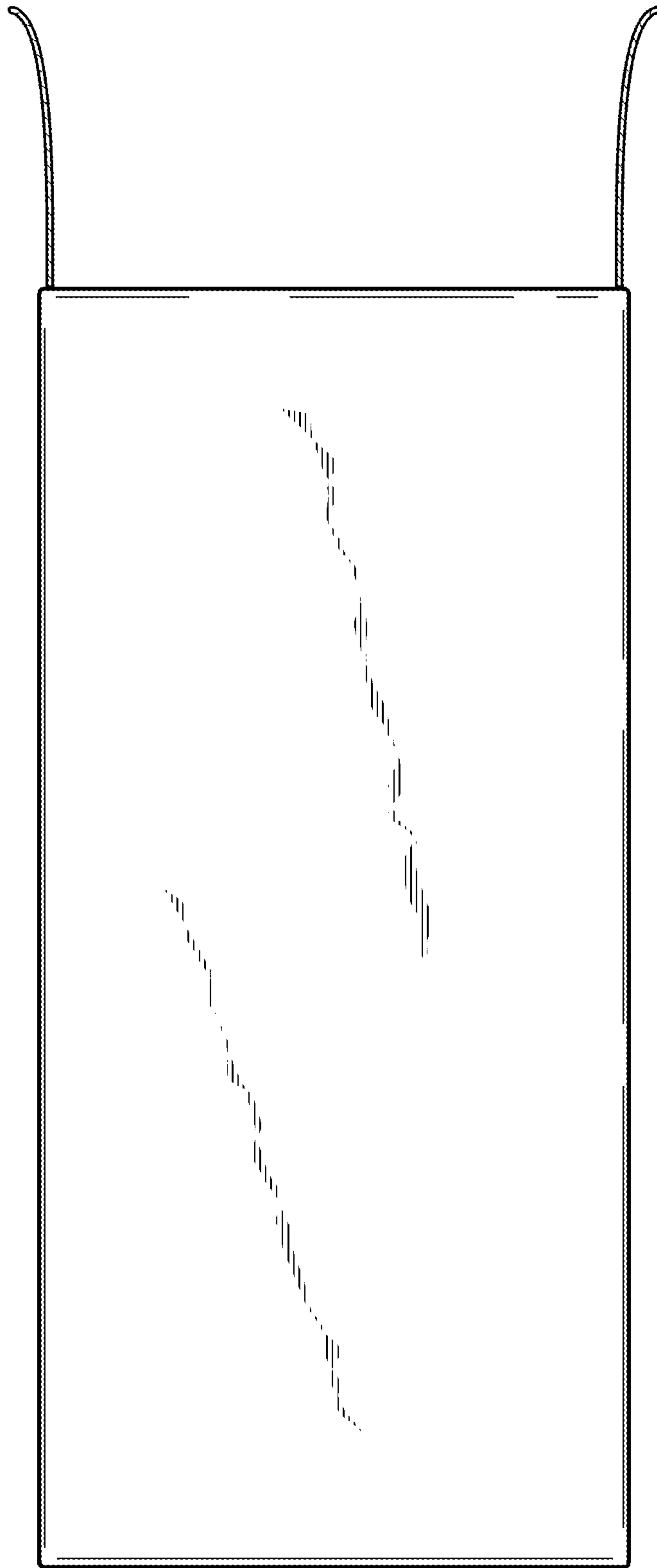


FIG. 3

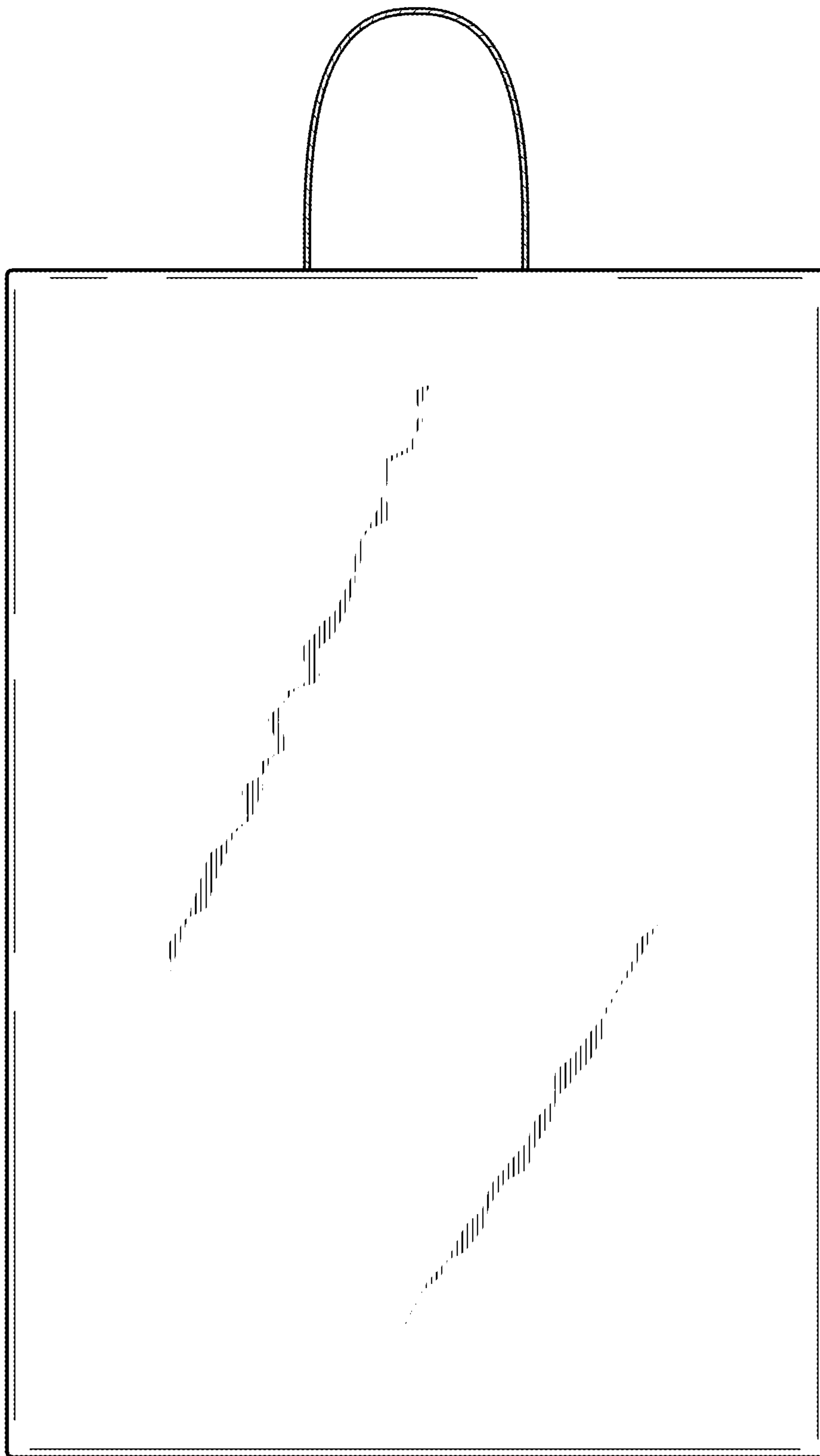


FIG. 4

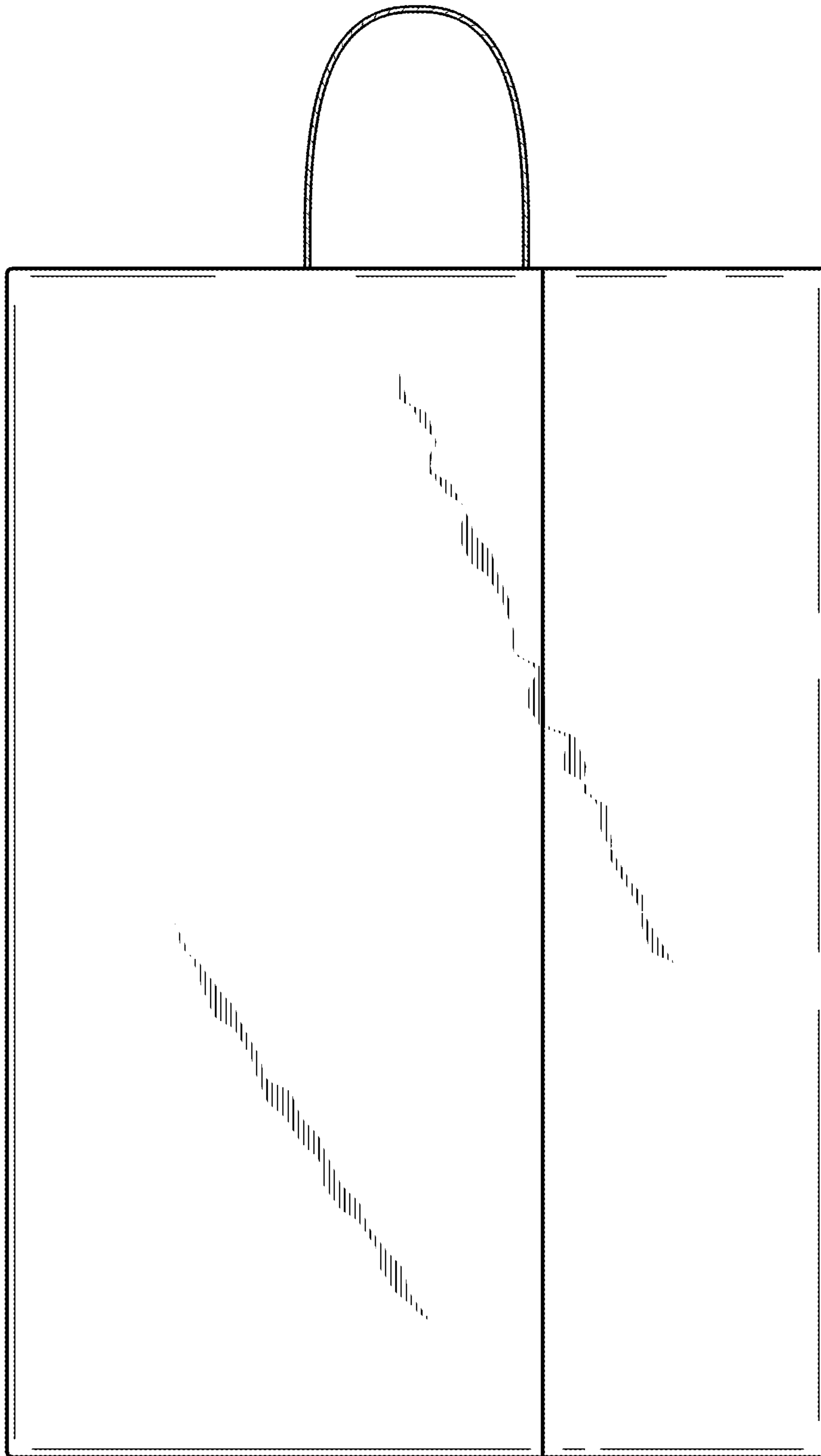


FIG. 5

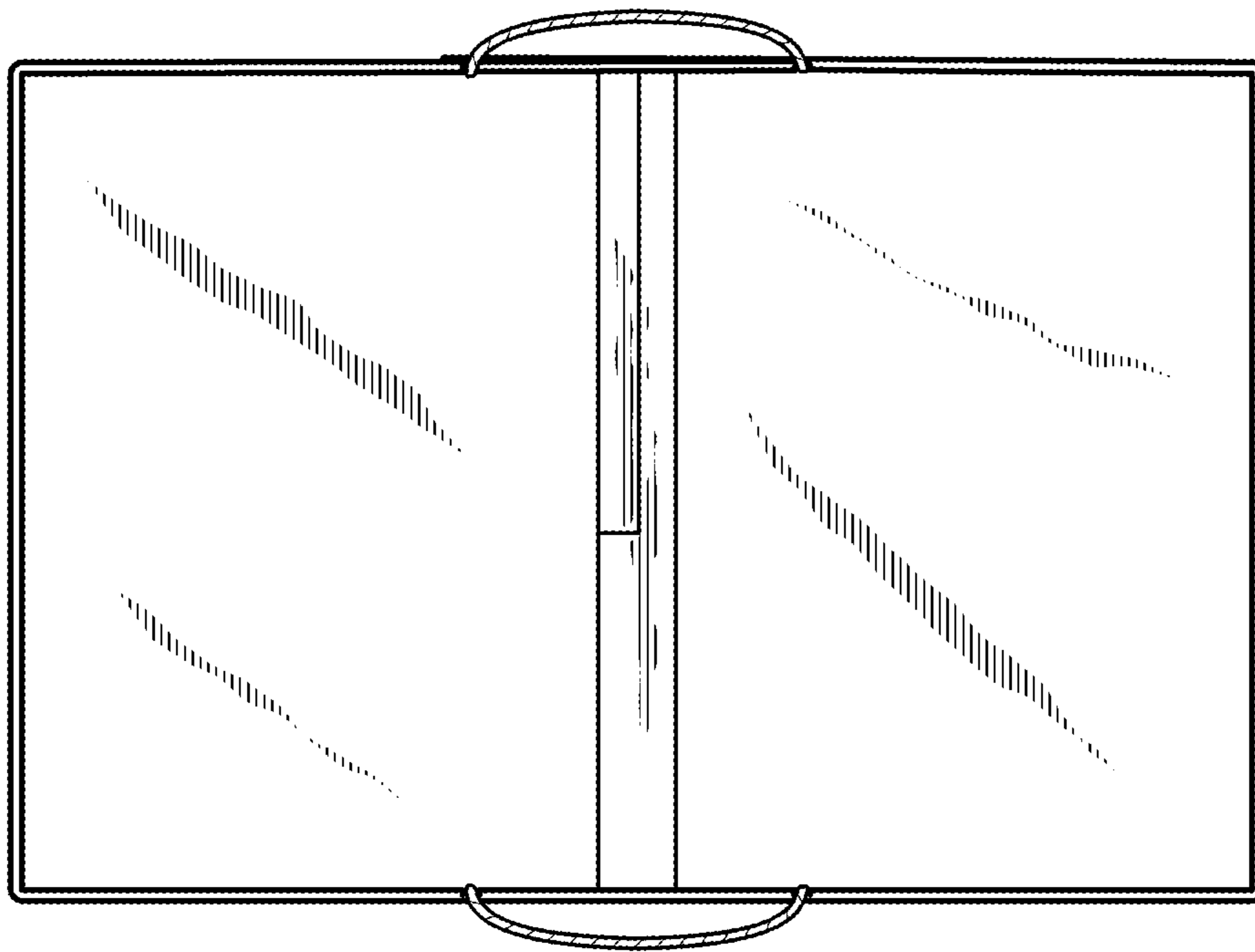


FIG. 6

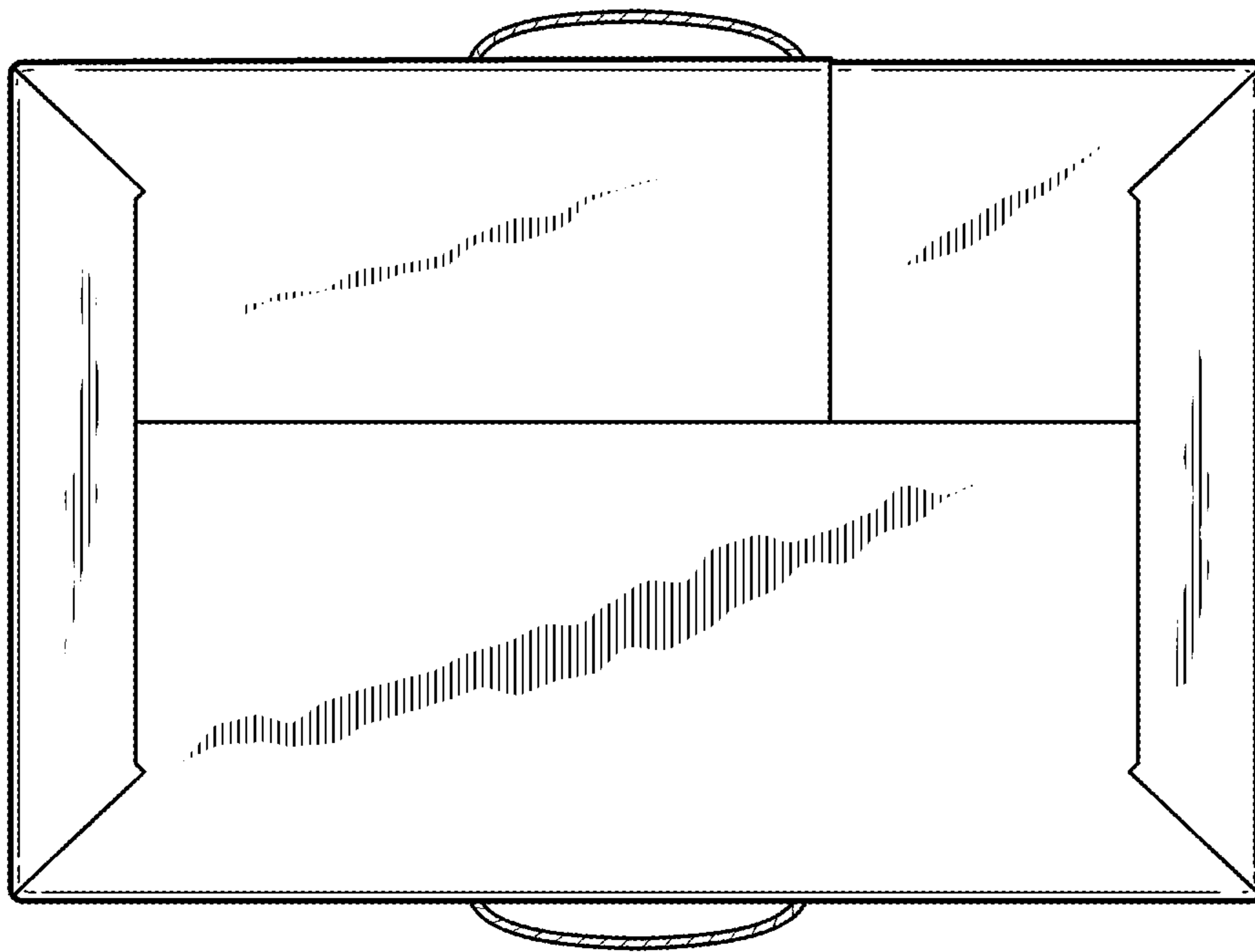


FIG. 7

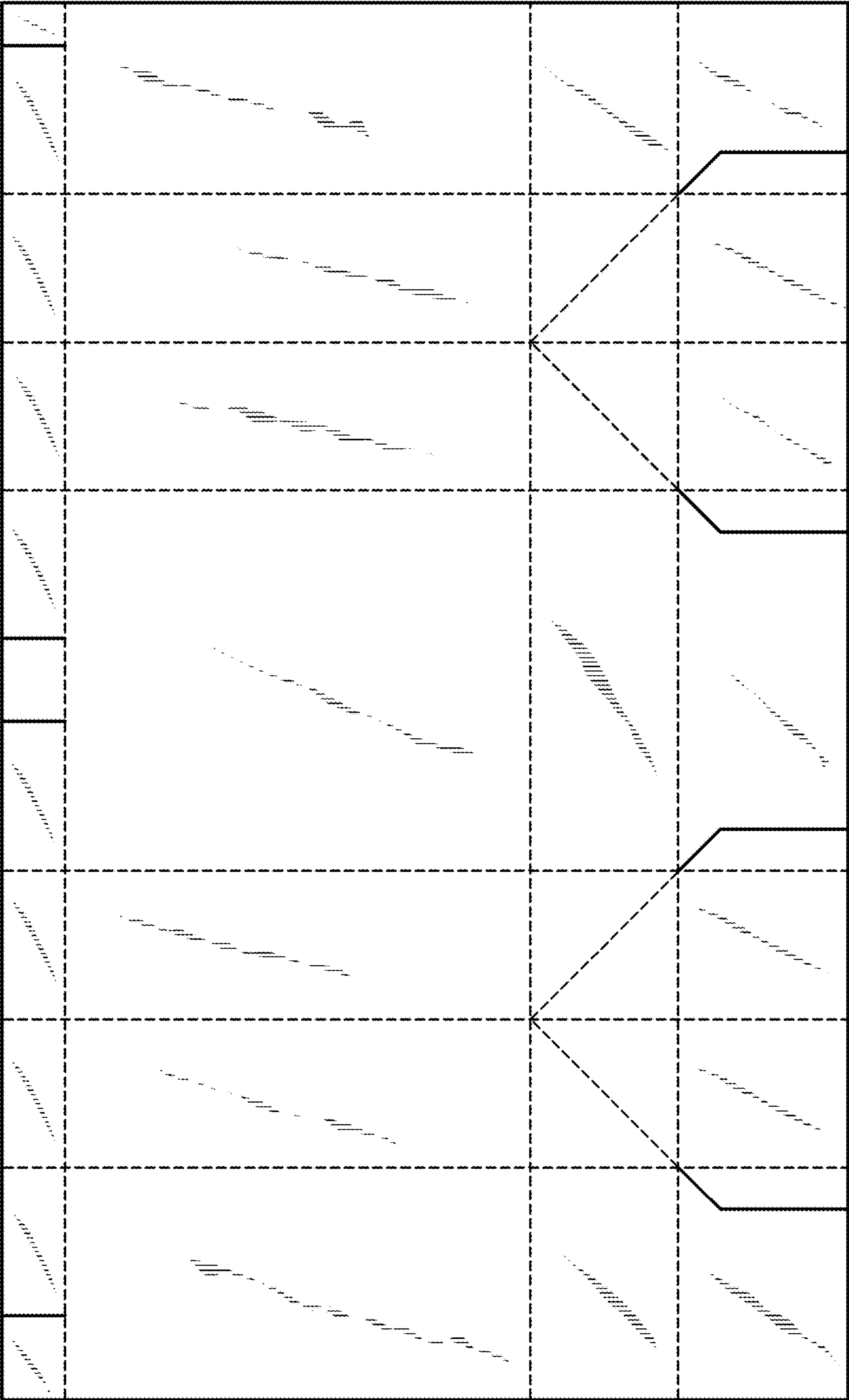


FIG. 8