

US00D929230S

(12) **United States Design Patent**
Faragher

(10) **Patent No.:** **US D929,230 S**

(45) **Date of Patent:** **** Aug. 31, 2021**

(54) **CLOSURE FOR CONTAINERS**

(71) Applicant: **Obrist Closures Switzerland GmbH,**
Reinach (CH)

(72) Inventor: **Stephen Faragher,** Norwich (GB)

(73) Assignee: **Obrist Closures Switzerland GmbH,**
Reinach (CH)

(**) Term: **15 Years**

(21) Appl. No.: **35/508,591**

(22) Filed: **Jul. 23, 2019**

(80) **Hague Agreement Data**

Int. Filing Date: **Jul. 23, 2019**

Int. Reg. No.: **DM/205730**

Int. Reg. Date: **Jul. 23, 2019**

Int. Reg. Pub. Date: **Feb. 14, 2020**

(30) **Foreign Application Priority Data**

Jan. 25, 2019 (IN) 314240

(51) **LOC (13) Cl.** **09-07**

(52) **U.S. Cl.**
USPC **D9/453**

(58) **Field of Classification Search**
USPC D9/434, 499, 443, 452, 453, 435, 454;
D7/392.1, 396.2; D23/260, 261
CPC A61J 1/1406; A61J 1/1425; A61J 1/1487;
B65D 47/0804; B65D 47/2031; B65D
50/046

See application file for complete search history.

(56) **References Cited**

U.S. PATENT DOCUMENTS

D267,632 S * 1/1983 French D9/434
D538,654 S * 3/2007 Seidita D9/453
D630,093 S * 1/2011 Bardet D9/438

D691,473 S * 10/2013 Smith D9/453
D693,222 S * 11/2013 Ramsey D9/453
9,834,348 B2 * 12/2017 Fox B65D 50/046
D843,167 S * 3/2019 Wilson D7/396.2
10,676,256 B2 * 6/2020 Faragher B65D 50/041
2012/0267336 A1 * 10/2012 Faragher B65D 50/046
215/224
2013/0270273 A1 * 10/2013 Fox B65D 50/046
220/324
2016/0251127 A1 * 9/2016 Faragher B65D 50/041
215/217
2018/0207061 A1 * 7/2018 Fox B65D 50/046
2018/0208370 A1 * 7/2018 Faragher B65D 50/041

OTHER PUBLICATIONS

Berlin. 60 mm Black HDPE Tamper-Evident & Venting Screw Cap—1248C31. No date specified. https://www.berlinpackaging.com/1248c31-60mm-black-hdpe-tamper-evident-venting-screw-cap/?promo=shopping&gclid=EAlalQobChMI84n6zsuC7glVAqCGCh1CEQctEAQYCCABEG_LAA_D_BwE (Year: 0).
Bottle. Different Types of Closures for Bottles, Containers, Jars and Tins. Oct. 9, 2019. <https://www.mpbottle.com/types-of-closures.html> (Year: 2019).*

* cited by examiner

Primary Examiner — Darcey E Gottschalk

(74) *Attorney, Agent, or Firm* — Banner & Witcoff, Ltd.

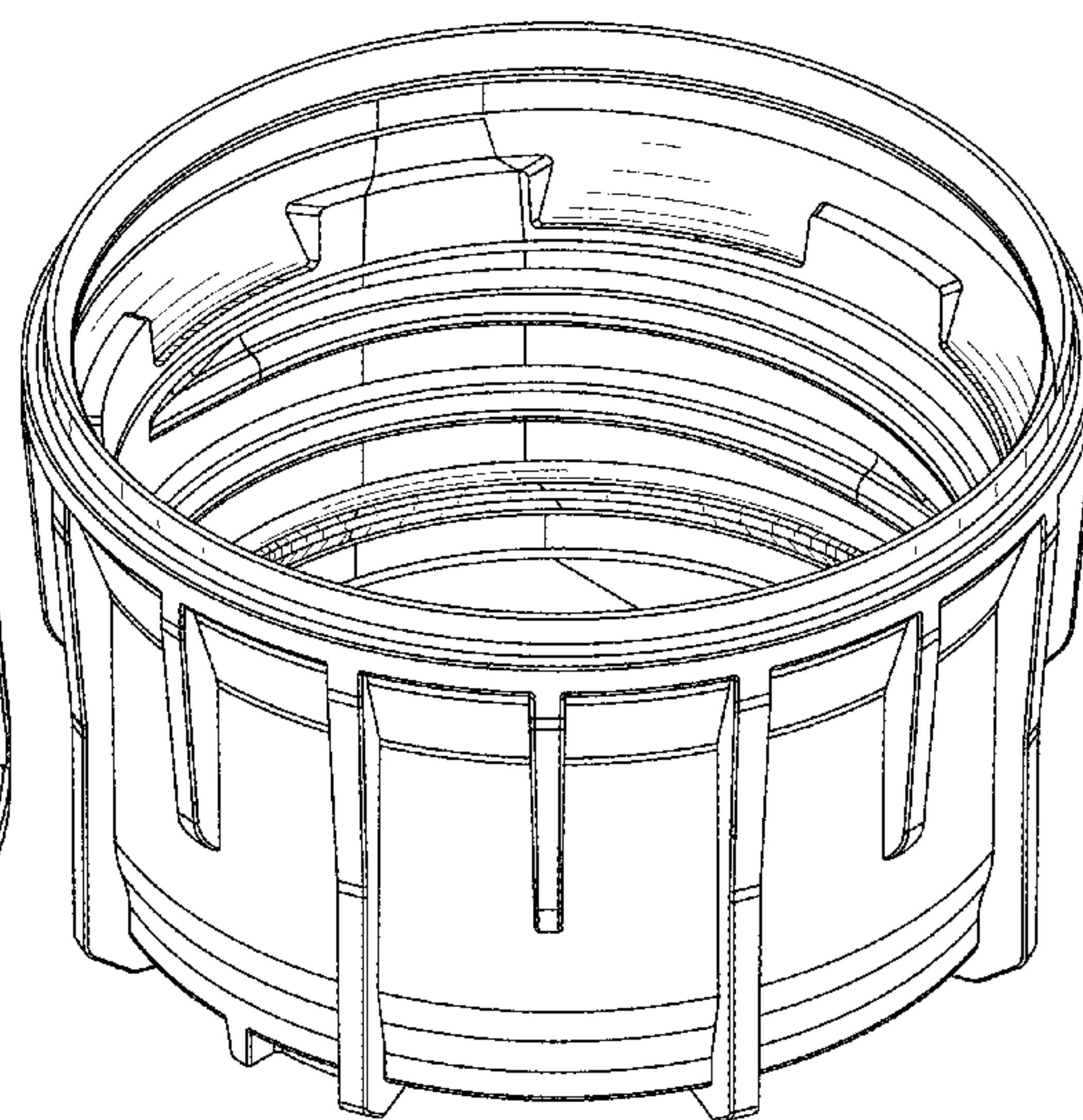
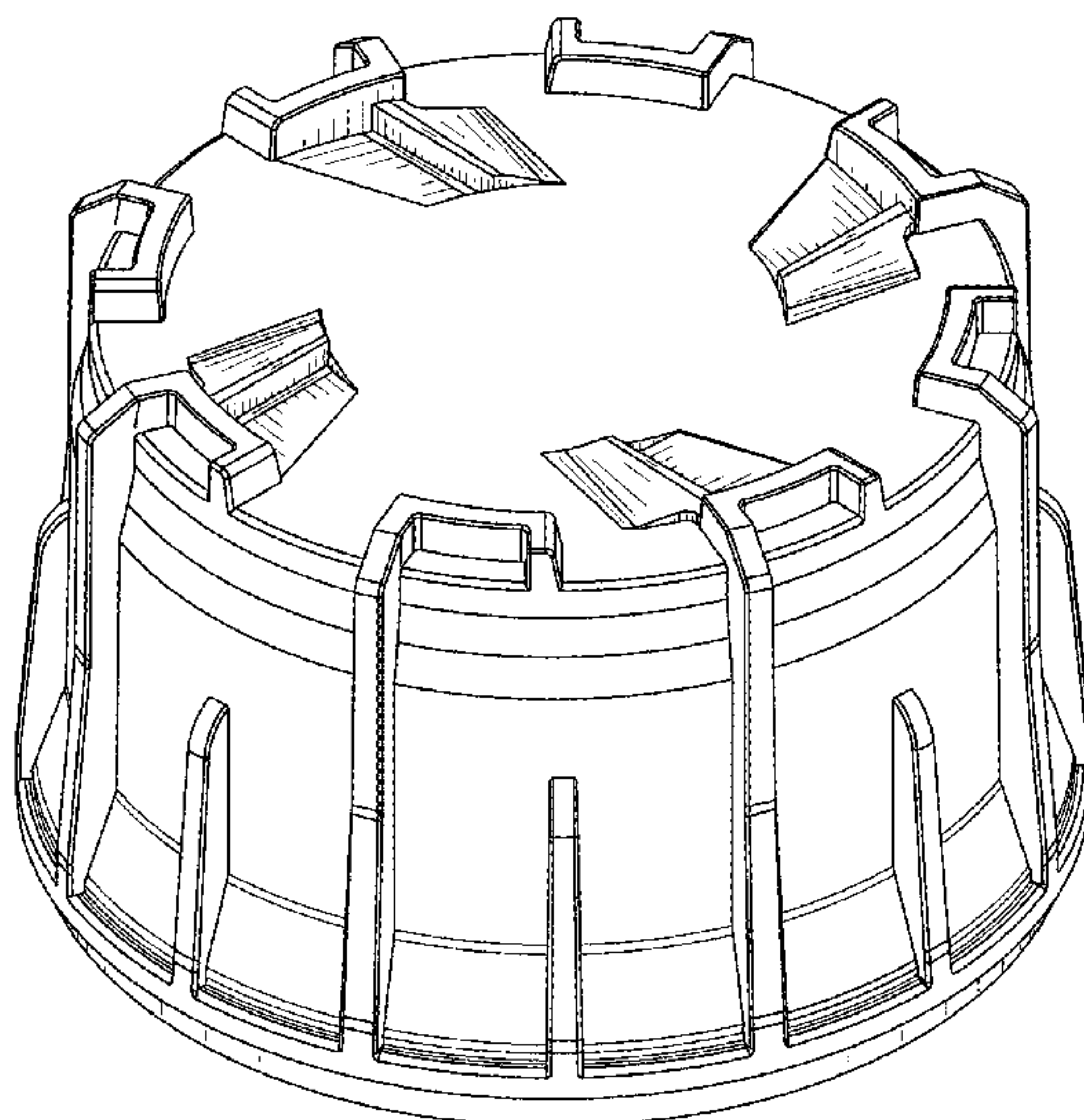
(57) **CLAIM**

The ornamental design for a closure for containers, as shown and described.

DESCRIPTION

FIG. 1.1 is a top perspective view showing my new design; FIG. 1.2 is a bottom perspective view thereof; FIG. 1.3 is a top view thereof; FIG. 1.4 is a bottom view thereof; FIG. 1.5 is a left side view thereof; and FIG. 1.6 is a right side view thereof.

1 Claim, 6 Drawing Sheets



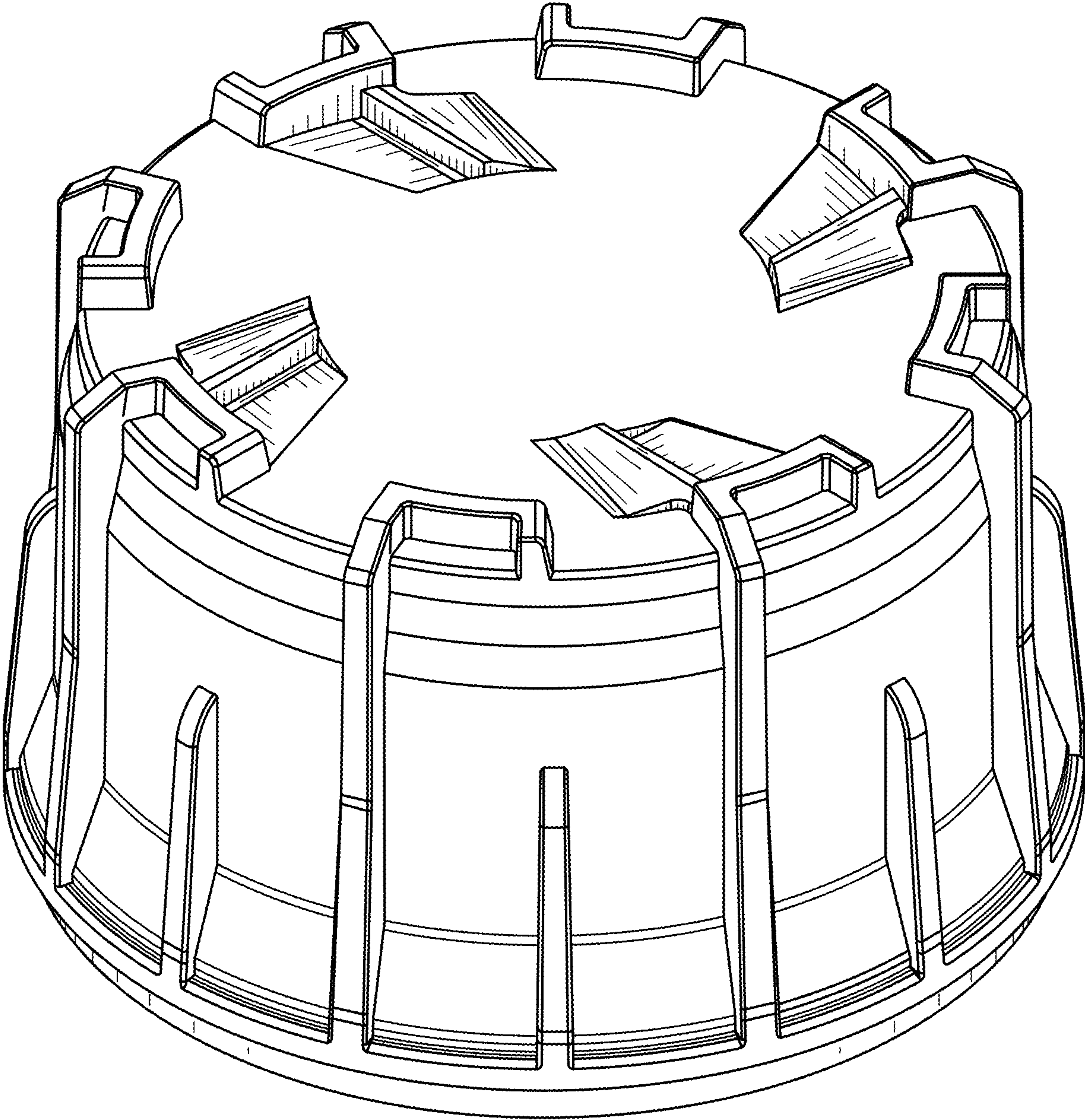


FIG. 1.1

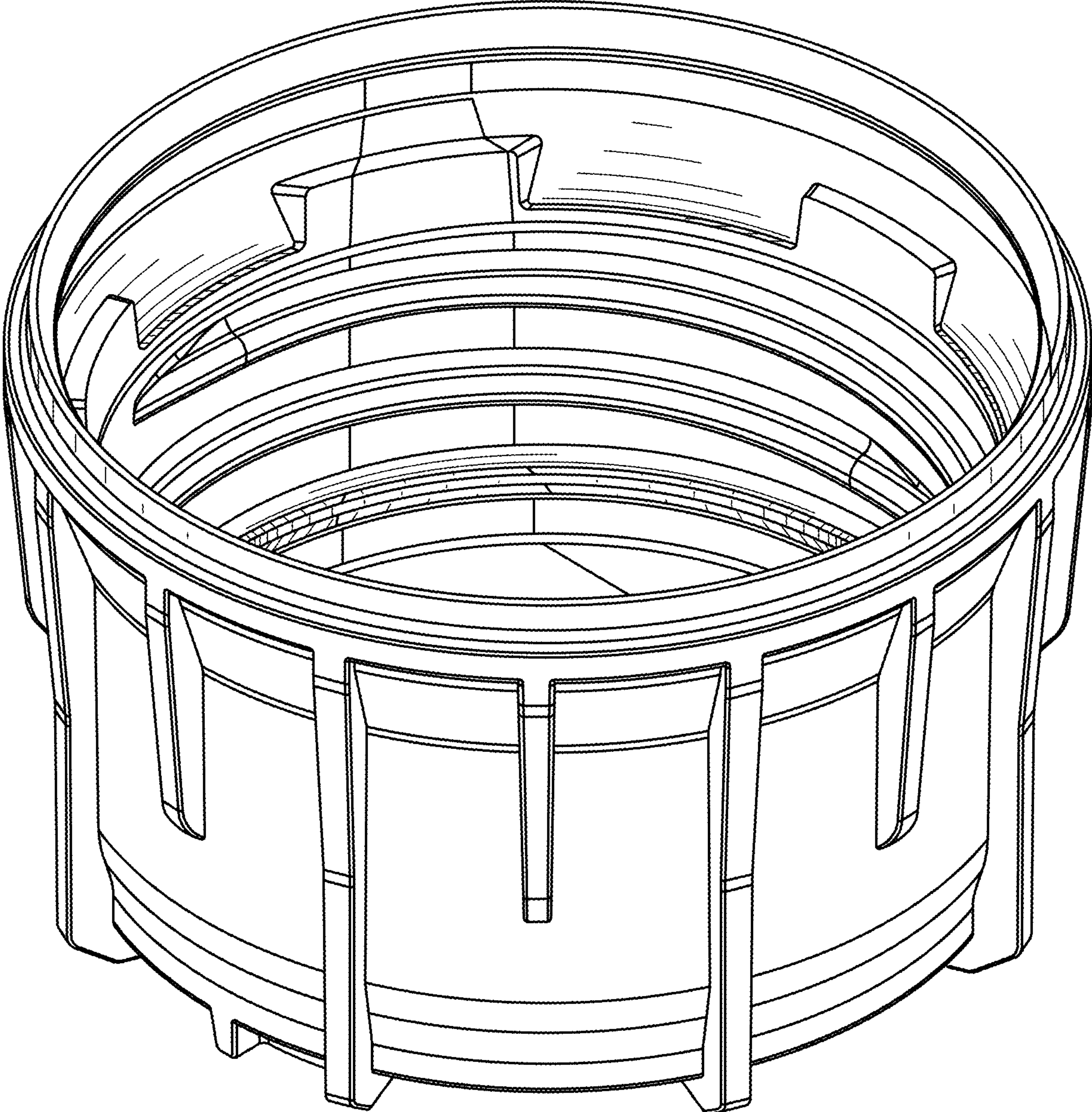


FIG. 1.2

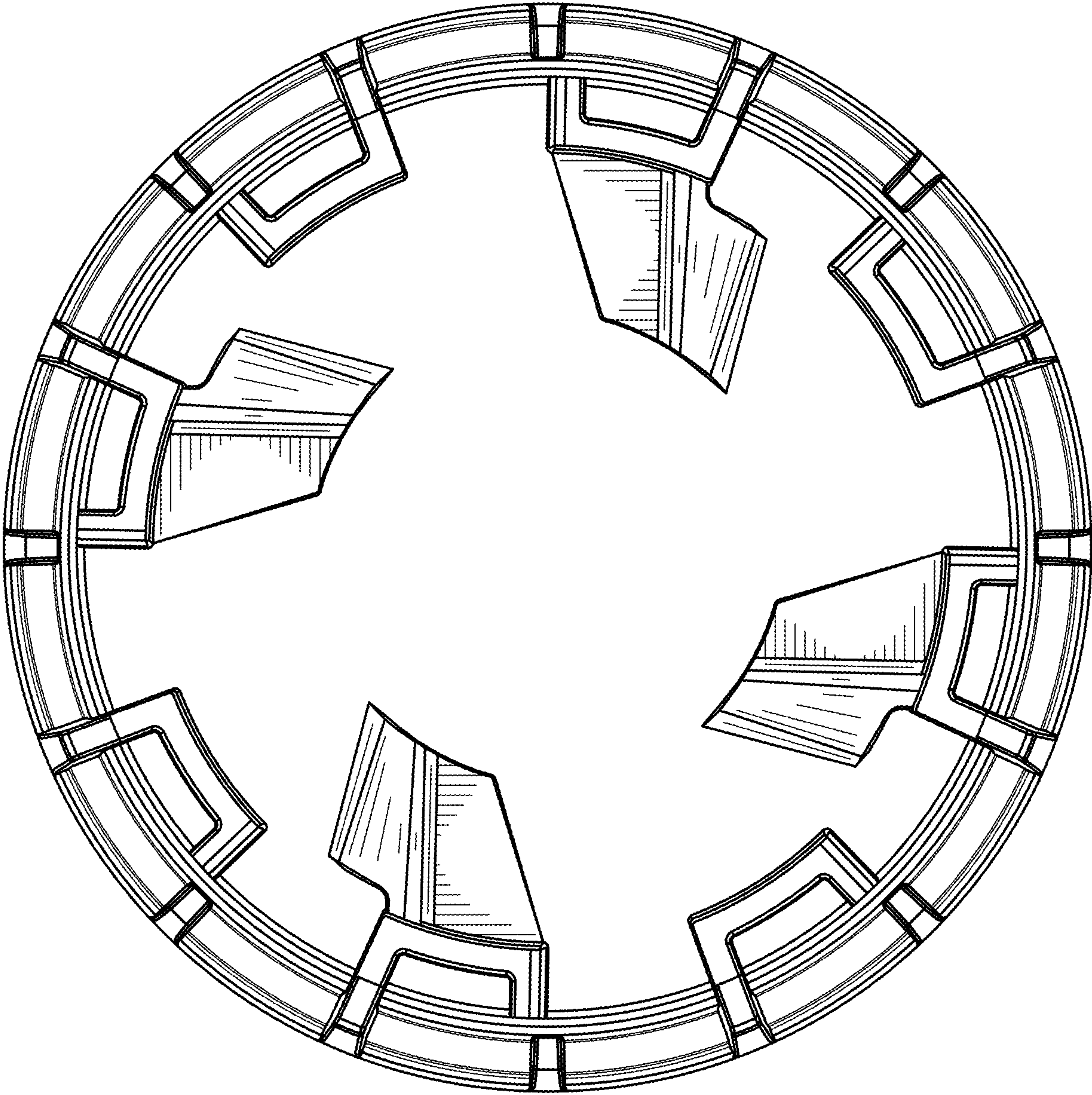


FIG. 1.3

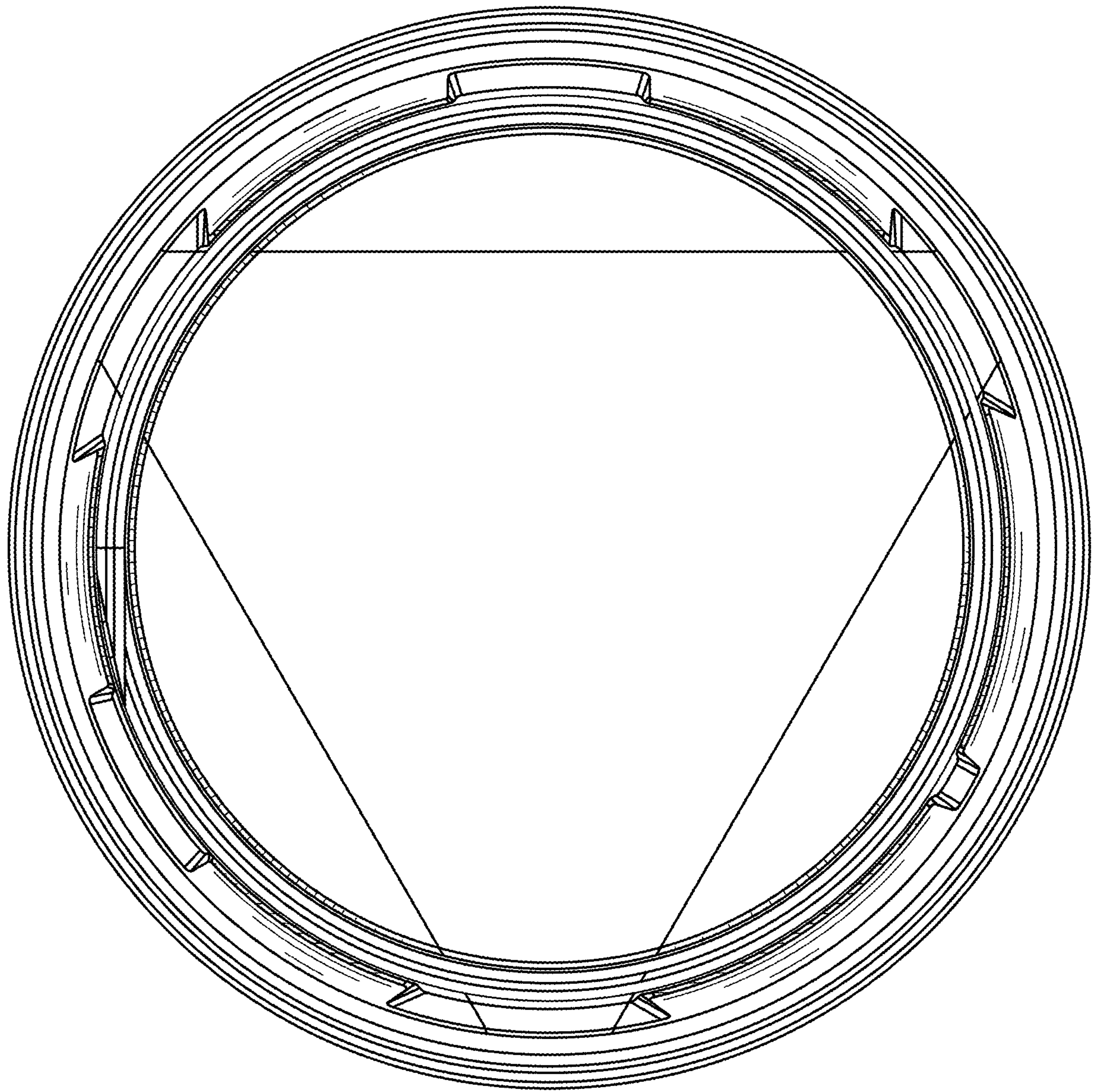


FIG. 1.4

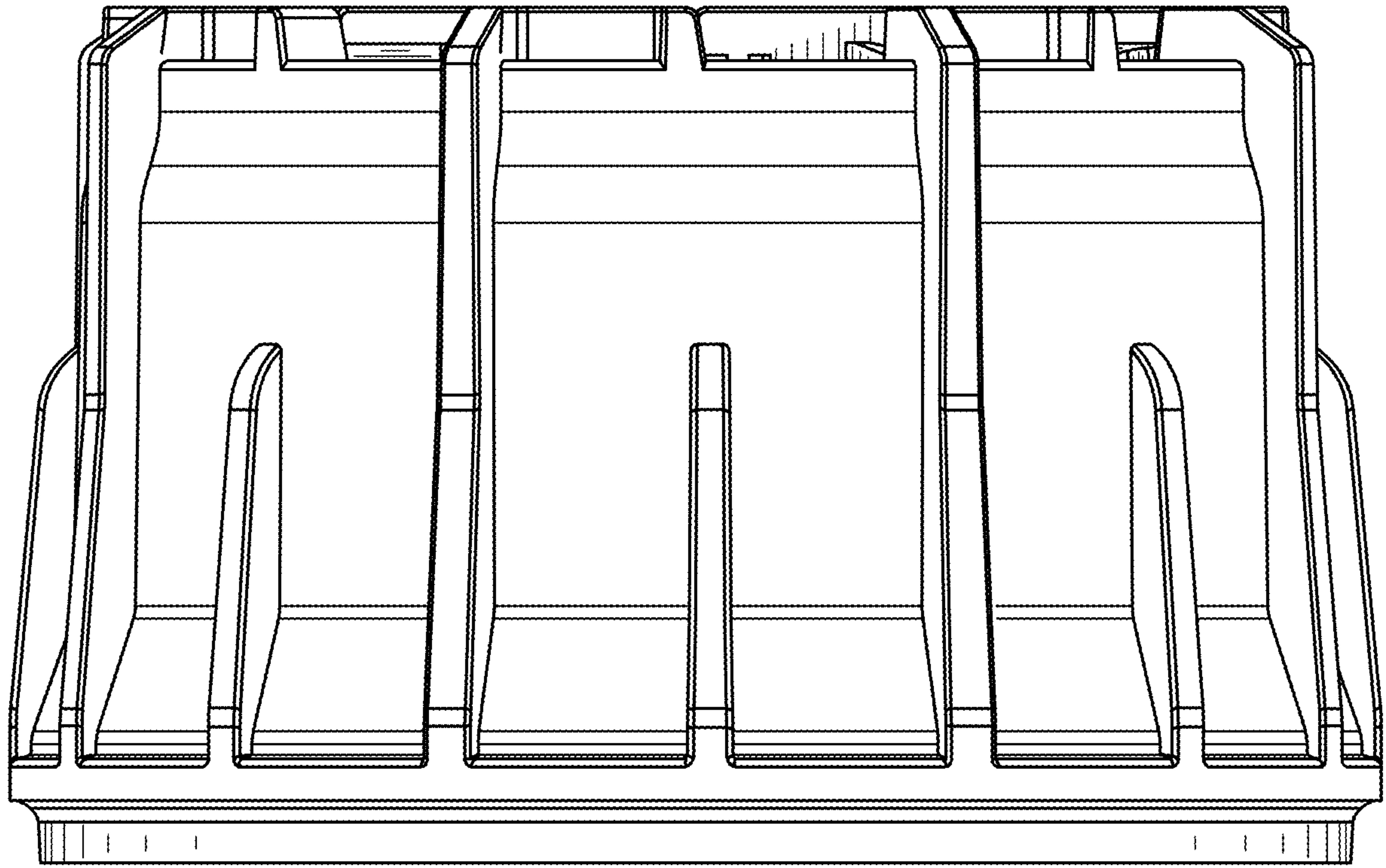


FIG. 1.5

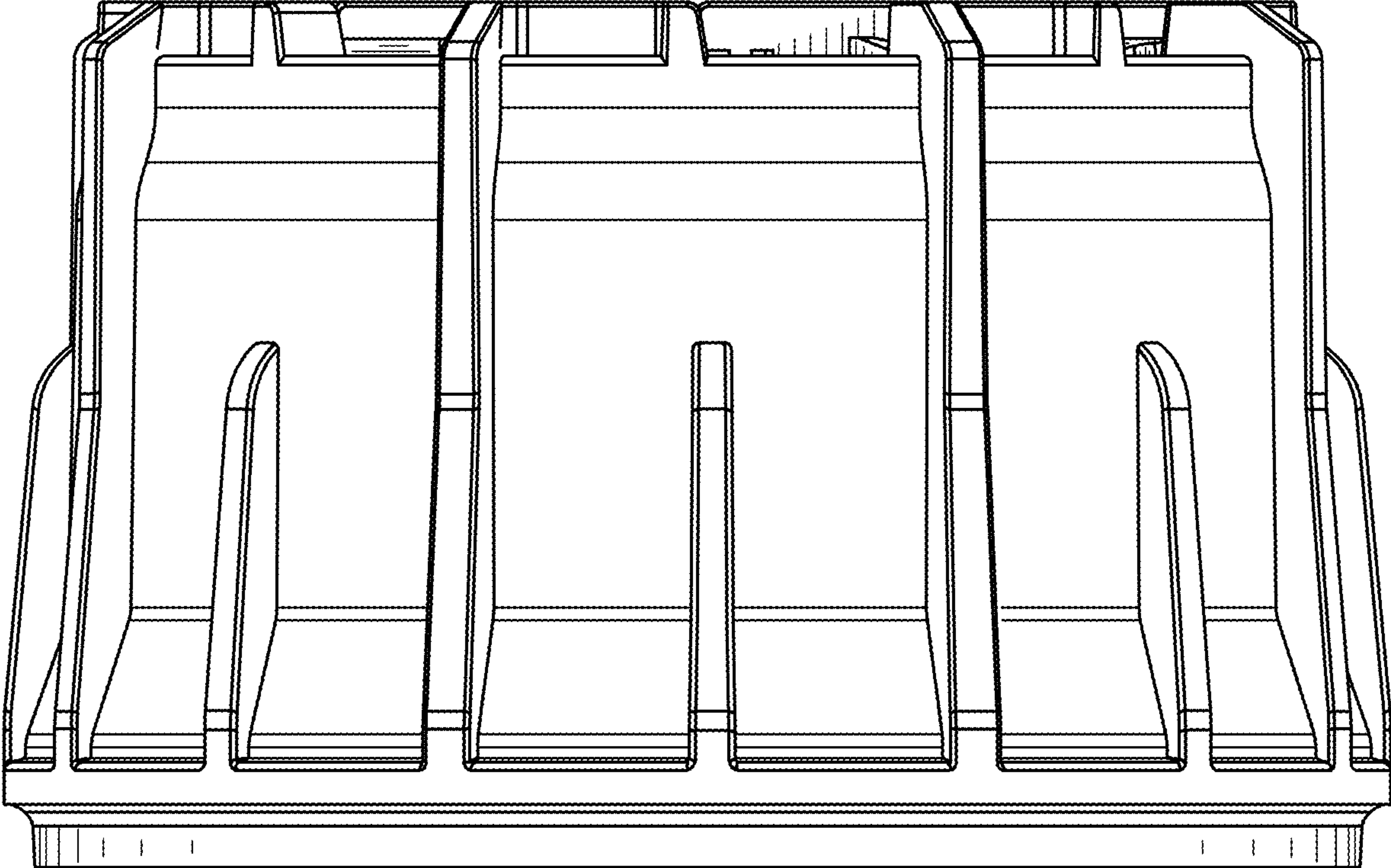


FIG. 1.6