



US00D929227S

(12) **United States Design Patent**
Limbrey

(10) **Patent No.:** **US D929,227 S**

(45) **Date of Patent:** **** Aug. 31, 2021**

(54) **POURING DEVICE FOR A BOTTLE**

(71) Applicant: **POURA LTD.**, Welwyn Garden City (GB)

(72) Inventor: **Dominic Limbrey**, Chislehurst (GB)

(73) Assignee: **POURA LTD.**, Welwyn Garden City (GB)

(**) Term: **15 Years**

(21) Appl. No.: **29/631,732**

(22) Filed: **Jan. 2, 2018**

(30) **Foreign Application Priority Data**

Jul. 7, 2017 (EM) 004093581-0001
Jul. 7, 2017 (EM) 004093581-0002

(51) **LOC (13) Cl.** **09-07**

(52) **U.S. Cl.**
USPC **D9/440**

(58) **Field of Classification Search**

USPC D9/414, 424, 425, 428, 432, 434, 435,
D9/436, 439, 440, 443-450, 452-457,
D9/499, 503, 516, 682, 685, 686;
D7/387, 391, 392, 392.1, 396.2, 510, 511,
D7/538, 900, 398; D3/202, 203.2;
D28/91, 91.1
CPC .. A61J 1/00; A61J 1/1412; B65D 1/00; B65D
1/02; B65D 1/10; B65D 1/46; B65D
5/46; B65D 41/00; B65D 41/38; B65D
41/56; B65D 41/62; B65D 47/00; B65D
47/06; B65D 47/08; B65D 2251/00;
B65D 2543/00046; B65D 2543/00092;
B65D 2543/00296

See application file for complete search history.

(56) **References Cited**

U.S. PATENT DOCUMENTS

2,642,207 A * 6/1953 Renzi B65D 47/06
222/479
3,217,950 A * 11/1965 Goodson B65D 47/06
222/484

3,233,797 A * 2/1966 Conry G01F 11/265
222/477
3,422,998 A * 1/1969 Murray B65D 47/06
D9/450
D217,330 S * 4/1970 Conry D9/440
3,630,419 A * 12/1971 Pierce B65D 47/06
222/478
D229,826 S * 1/1974 Raptis D9/440
(Continued)

FOREIGN PATENT DOCUMENTS

EP 2 181 932 A1 5/2010
GB 1910 25505 5/1911
(Continued)

OTHER PUBLICATIONS

GB1710357.3 Search Report Under Section 17, dated Nov. 20, 2017.

Primary Examiner — Wendy L Arminio
(74) *Attorney, Agent, or Firm* — Fay Sharpe LLP

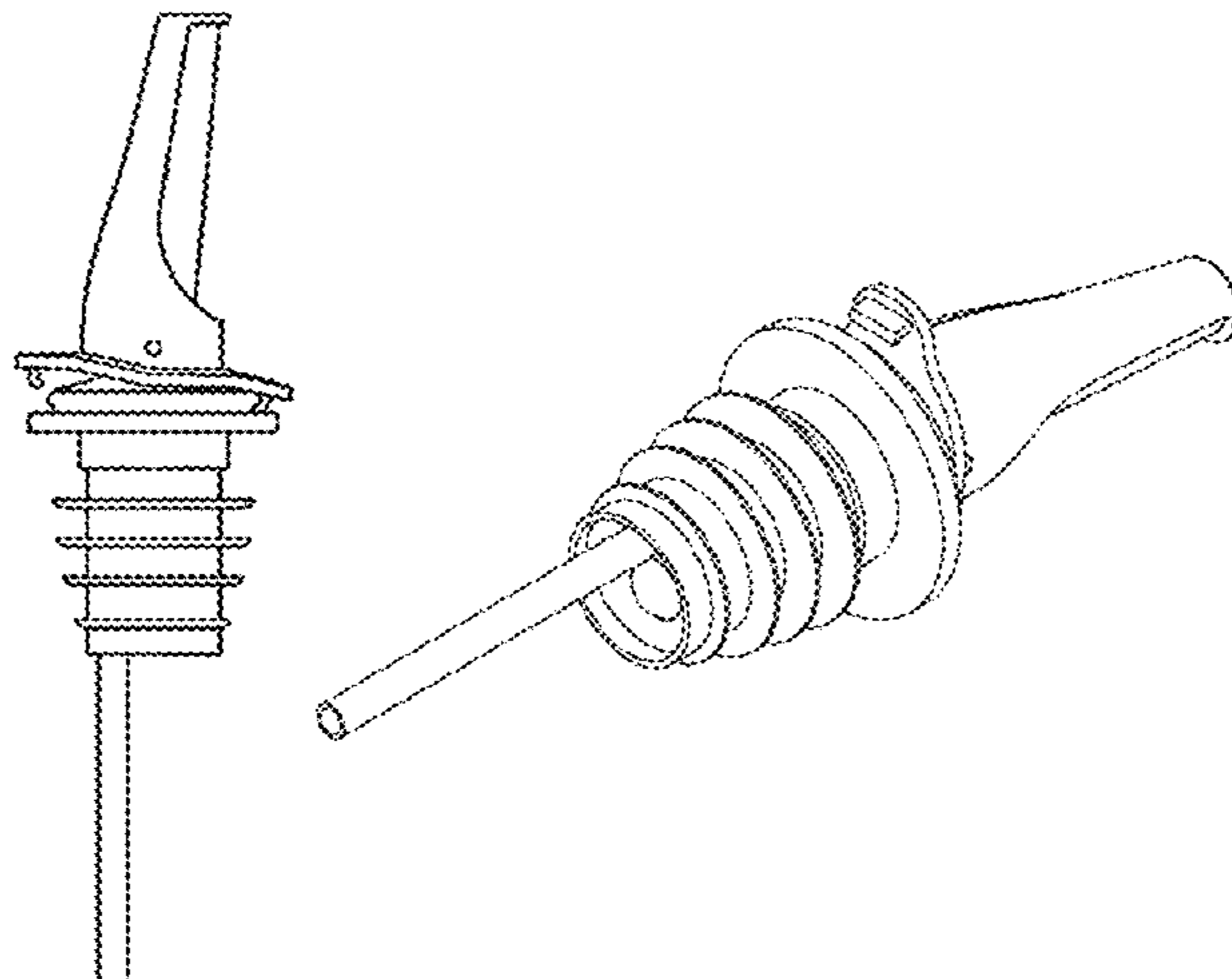
(57) **CLAIM**

The ornamental design for a pouring device for a bottle, as shown and described.

DESCRIPTION

FIG. 1 is a front view of a pouring device for a bottle of the present invention;
FIG. 2 is a first side (left side) view thereof;
FIG. 3 is a second side (right side) view thereof;
FIG. 4 is a rear view thereof;
FIG. 5 is a perspective view thereof;
FIG. 6 is a top view thereof; and,
FIG. 7 is a bottom view thereof.
The broken lines depict portions of the pouring device for a bottle that form no part of the claimed design.

1 Claim, 7 Drawing Sheets



(56)

References Cited

U.S. PATENT DOCUMENTS

3,966,099 A * 6/1976 Sanford, Jr. B67D 3/00
 222/478
 D279,169 S * 6/1985 Banasik D9/447
 5,211,318 A * 5/1993 Govatzidakis B65D 47/06
 222/479
 5,799,836 A * 9/1998 Lee B65D 47/06
 222/189.07
 D468,205 S * 1/2003 Pierce D9/440
 D484,801 S * 1/2004 Pierce D9/440
 D533,776 S * 12/2006 Allen D9/440
 8,011,540 B1 * 9/2011 Peckels B65D 47/32
 222/479
 8,245,882 B1 * 8/2012 Federighi B01F 5/0428
 222/190
 D678,768 S * 3/2013 Agassi D9/440
 D681,456 S * 5/2013 Agarwal D9/440
 D688,127 S * 8/2013 Agassi D9/440
 D701,764 S * 4/2014 Brower D9/440
 9,061,302 B1 * 6/2015 Peckels B05B 1/302
 D745,395 S * 12/2015 Peckels D9/440
 9,394,089 B2 * 7/2016 Silvers B65D 47/06

9,938,057 B2 * 4/2018 Carsello B65D 33/00
 D825,987 S * 8/2018 Min D7/398
 2005/0194410 A1 * 9/2005 Pham B65D 47/32
 222/569
 2006/0000855 A1 * 1/2006 Allen B65D 47/06
 222/484
 2008/0073383 A1 * 3/2008 McDonald B65D 47/06
 222/500
 2008/0272147 A1 * 11/2008 Buker B65D 47/06
 222/113
 2012/0085790 A1 * 4/2012 Agassi B65D 47/32
 222/479
 2012/0273451 A1 11/2012 Voss et al.
 2013/0334246 A1 * 12/2013 Houck G01F 13/006
 222/23
 2019/0270551 A1 * 9/2019 Limbrey B65D 47/06
 2019/0292502 A1 * 9/2019 Leverich B01D 24/10

FOREIGN PATENT DOCUMENTS

JP 2004 331173 A 11/2004
 WO WO 2011/053579 A1 5/2011
 WO WO 2012/172534 A1 12/2012

* cited by examiner

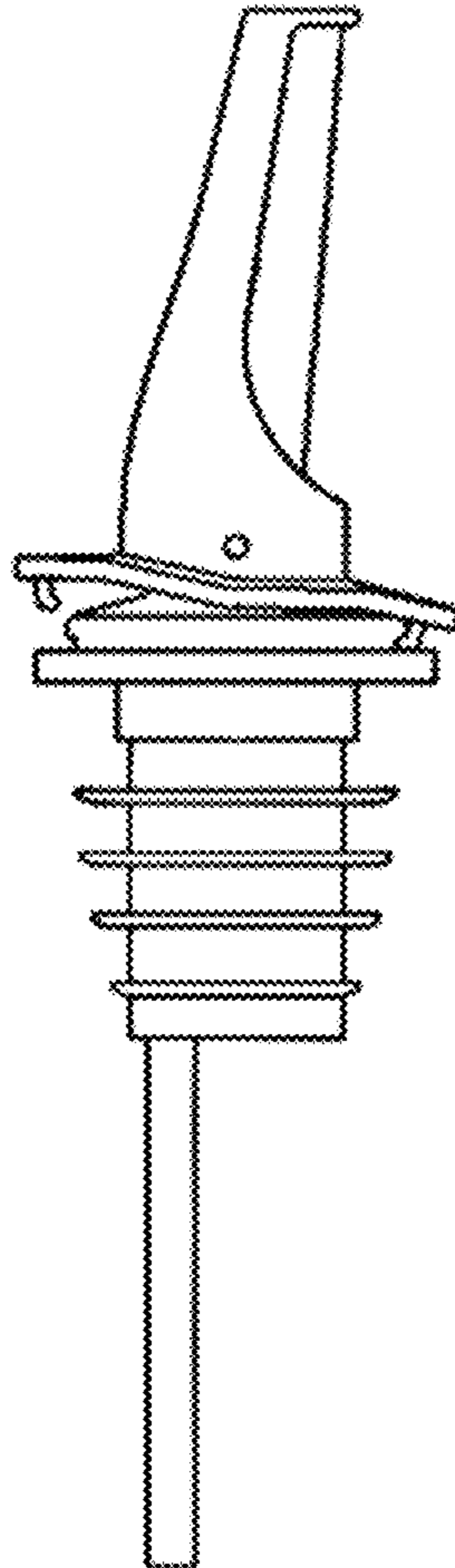


Fig. 1

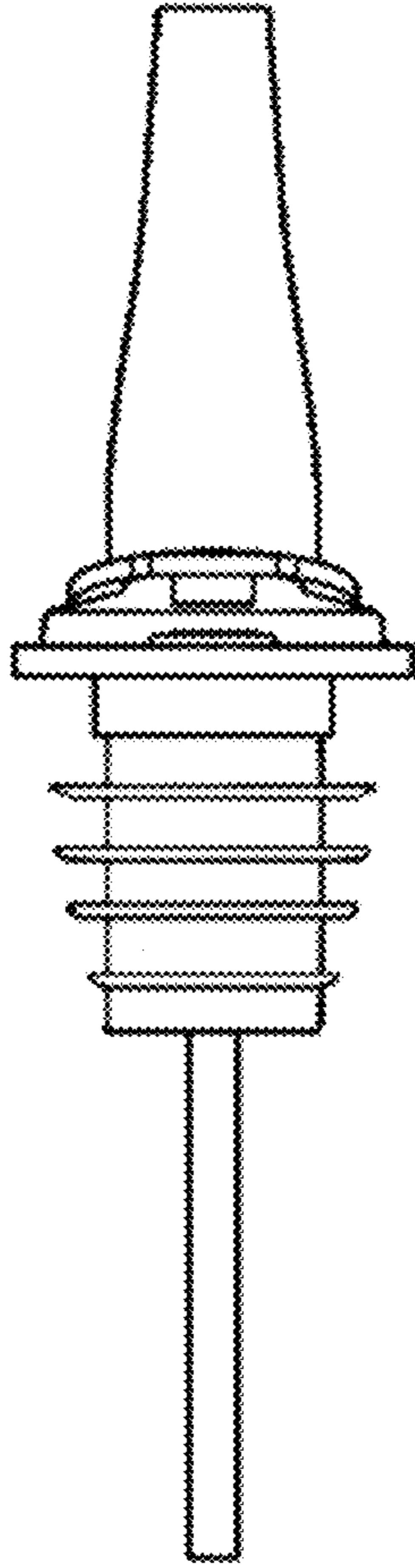


Fig. 2

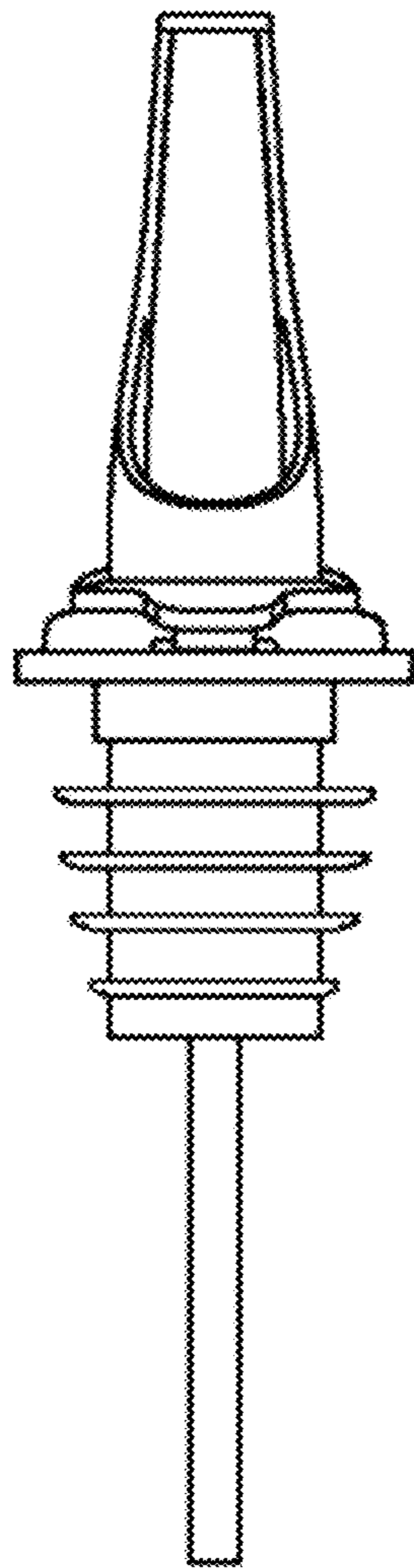


Fig. 3

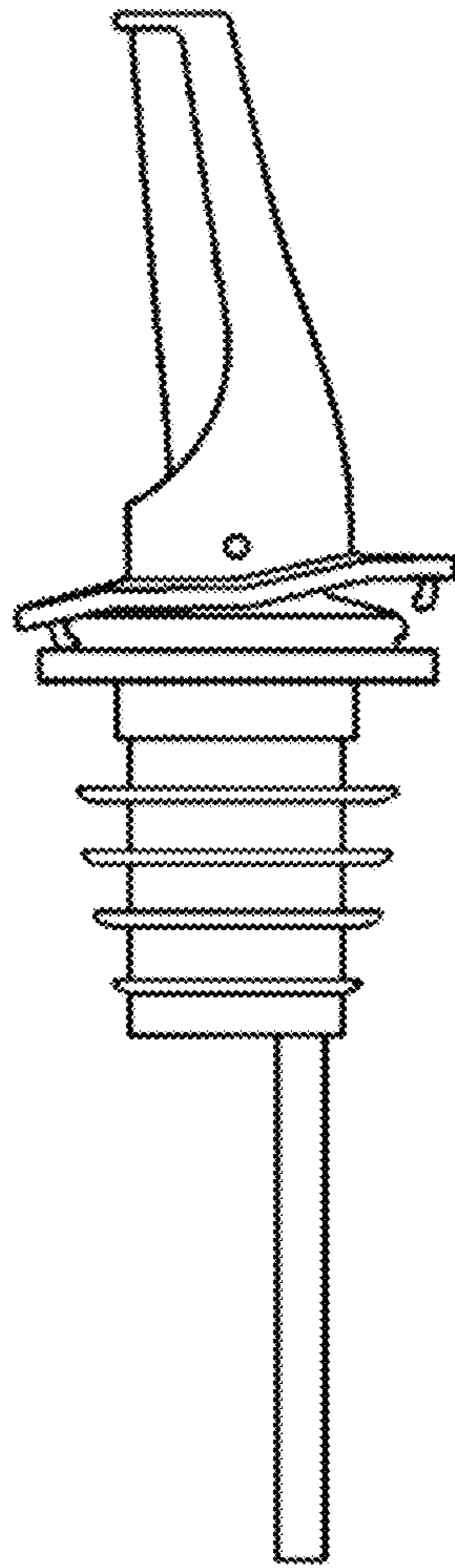


Fig. 4

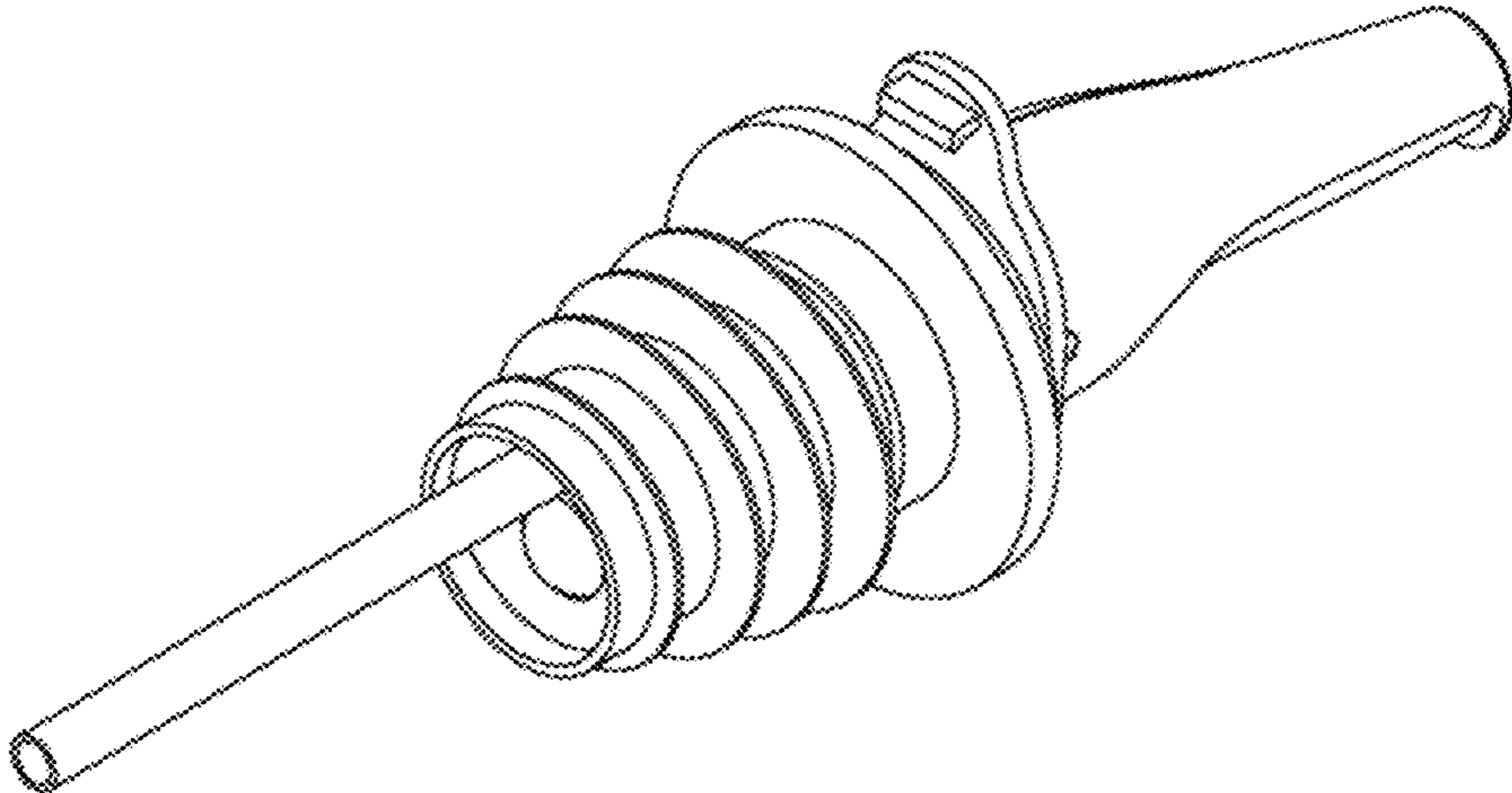


Fig. 5

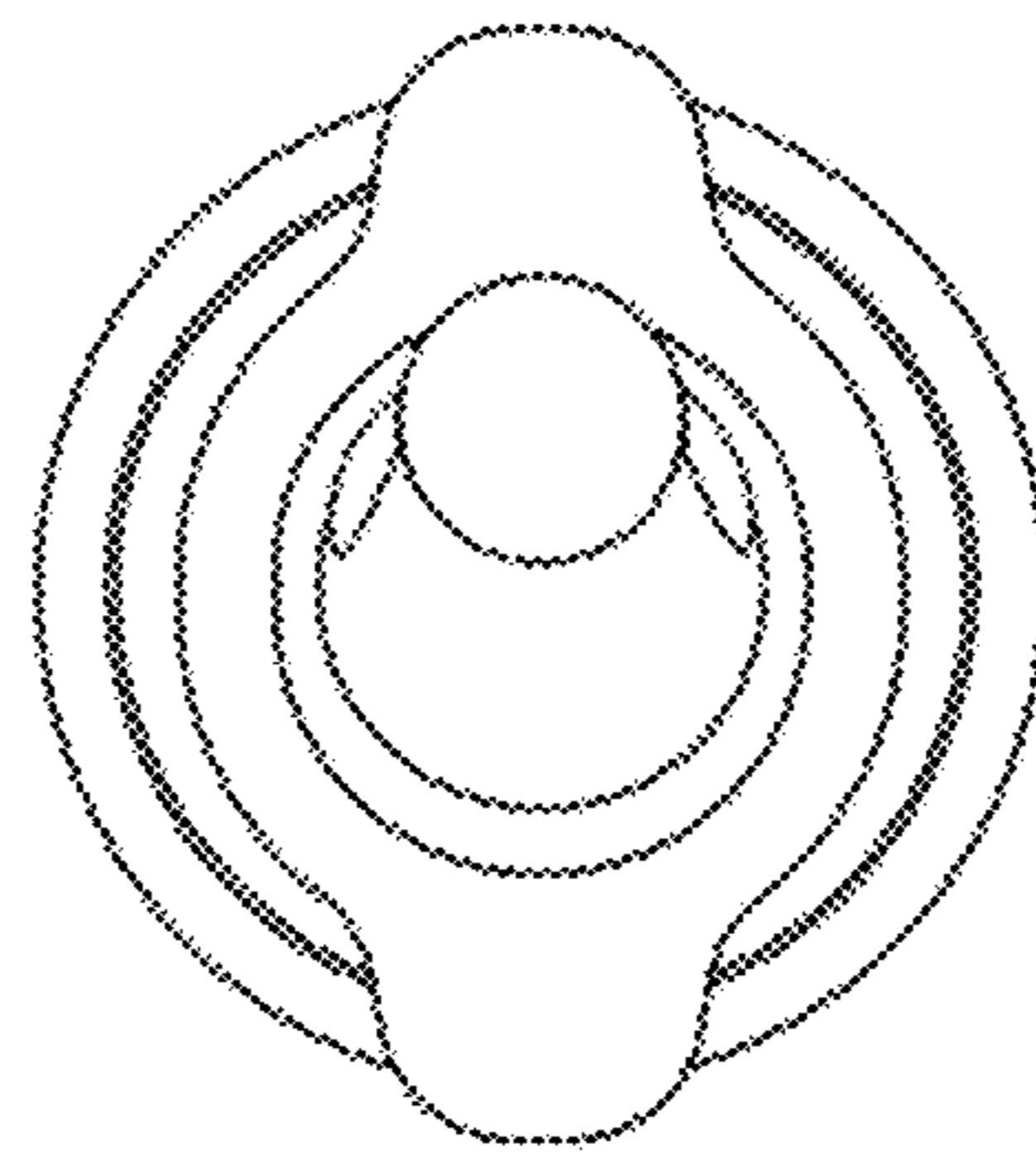


Fig. 6

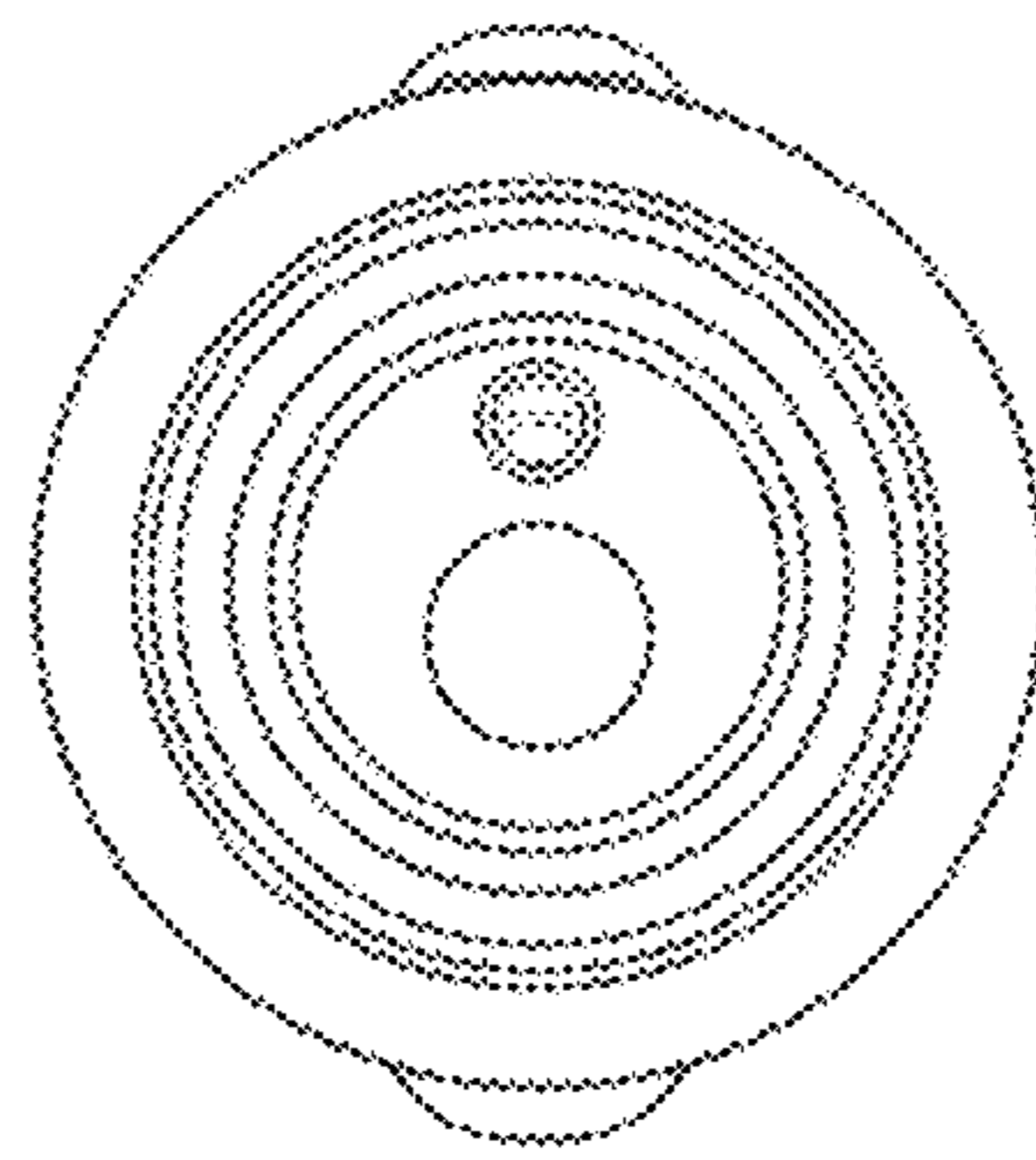


Fig. 7