



US00D929219S

(12) **United States Design Patent** (10) **Patent No.:** **US D929,219 S**
Brown (45) **Date of Patent:** **** Aug. 31, 2021**

(54) **HAND GUN EVIDENCE BOX**

(71) Applicant: **ARROWHEAD SCIENTIFIC, INC.**,
Lenexa, KS (US)

(72) Inventor: **Brad Brown**, Lenexa, KS (US)

(73) Assignee: **Arrowhead Scientific, Inc.**, Lenexa,
KS (US)

(**) Term: **15 Years**

(21) Appl. No.: **29/702,789**

(22) Filed: **Aug. 22, 2019**

(51) **LOC (13) Cl.** **09-03**

(52) **U.S. Cl.**
USPC **D9/418**

(58) **Field of Classification Search**
USPC D9/414-434, 437, 443, 445, 449, 450,
D9/453, 457, 499, 454, 703, 704, 705,
(Continued)

(56) **References Cited**

U.S. PATENT DOCUMENTS

1,431,133 A * 10/1922 Young B65D 5/5206
206/45.23
3,278,012 A * 10/1966 Young B65D 5/5206
206/762

(Continued)

Primary Examiner — Sandra Snapp

Assistant Examiner — Mehri Bajoul

(74) *Attorney, Agent, or Firm* — Zarley Law Firm, P.L.C.

(57) **CLAIM**

The ornamental design for a hand gun evidence box, substantially as shown and described.

DESCRIPTION

FIG. 1 is a front top, right perspective view of a hand gun evidence box, comprised of an outer box portion and an insert portion; and

FIG. 2 is a front top, right perspective view of the hand gun evidence box, comprised of an outer box portion and an insert portion in an exploded position.

FIG. 3 is a top side view of the insert portion of the hand gun evidence box shown separately for ease of illustration and in an open position;

FIG. 4 is a bottom side view of the insert portion of the hand gun evidence box shown separately for ease of illustration and in an open position;

FIG. 5 is a front side view of the insert portion of the hand gun evidence box shown separately for ease of illustration and in an open position;

FIG. 6 is a rear side view of the insert portion of the hand gun evidence box shown separately for ease of illustration and in an open position;

FIG. 7 is a right side view of the insert portion of the hand gun evidence box shown separately for ease of illustration and in an open position;

FIG. 8 is a left side view of the insert portion of the hand gun evidence box shown separately for ease of illustration and in an open position;

FIG. 9 is a front top, right perspective view of the insert portion of the hand gun evidence box shown separately for ease of illustration and in an open position;

FIG. 10 is a top side view of the outer box portion of the hand gun evidence box shown separately for ease of illustration;

FIG. 11 is a bottom side view of the outer box portion of the hand gun evidence box shown separately for ease of illustration;

FIG. 12 is a right side view of the outer box portion of the hand gun evidence box shown separately for ease of illustration;

FIG. 13 is a left side view of the outer box portion of the hand gun evidence box shown separately for ease of illustration;

FIG. 14 is a front side view of the outer box portion of the hand gun evidence box shown separately for ease of illustration;

FIG. 15 is a rear side view of the outer box portion of the hand gun evidence box shown separately for ease of illustration; and,

(Continued)

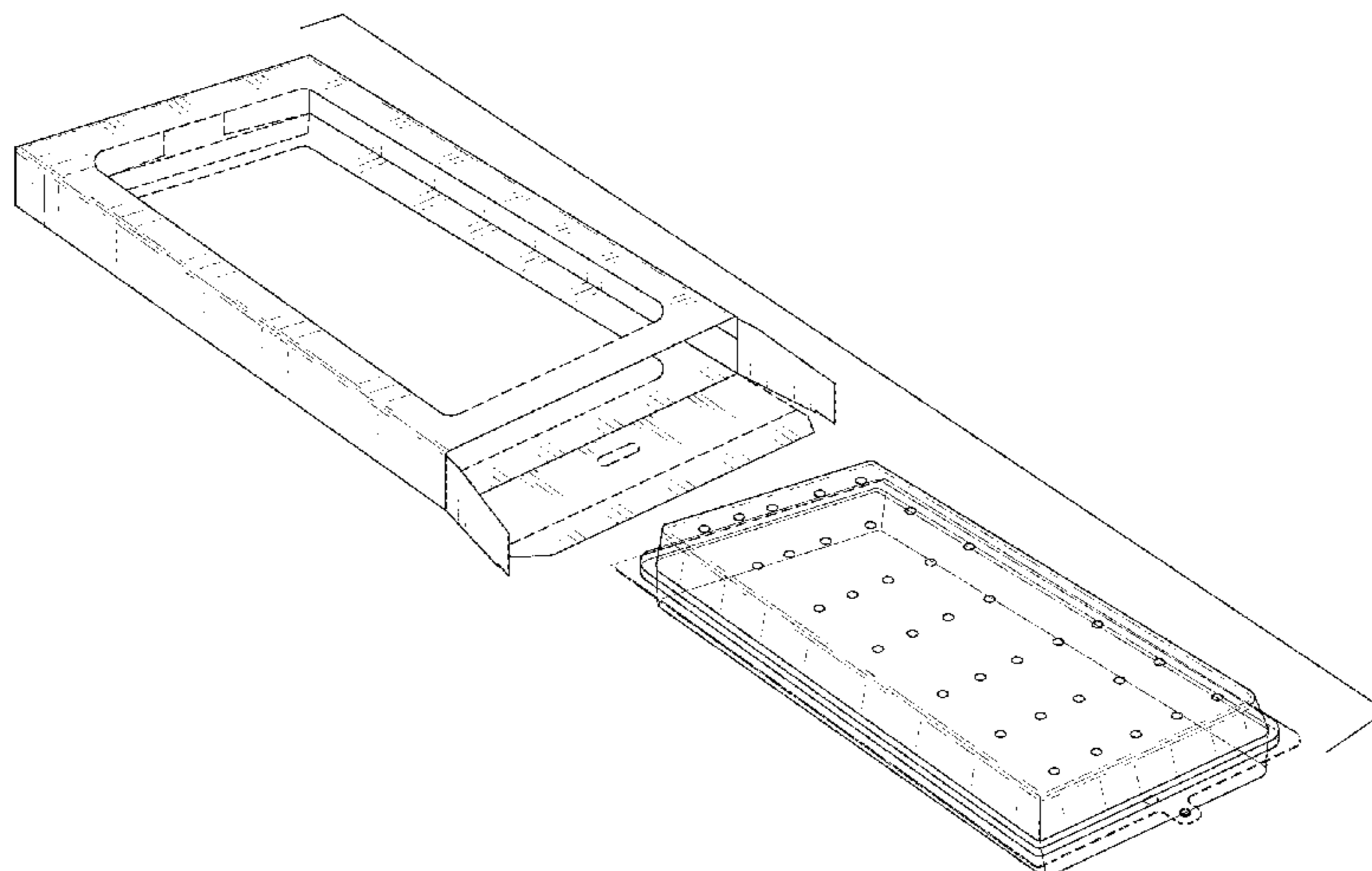


FIG. 16 is a front top, right perspective view of the outer box portion of the hand gun evidence box shown separately for ease of illustration.

The broken lines in the drawings depict portions of the hand gun evidence box that form no part of the claimed design.

1 Claim, 11 Drawing Sheets

(58) **Field of Classification Search**

USPC D9/707, 708, 709, 710, 711, 712, 713, D9/715, 722, 738, 500, 501; D7/590, D7/601, 612; D19/91; D22/108, 199
 CPC B65D 5/4204; B65D 5/5007; B65D 23/00; B65D 25/0213; B65D 5/5206; B65D 1/00; B65D 1/22; B65D 1/225; B65D 5/00; B65D 5/18; B65D 5/20; B65D 5/42; B65D 5/061; B65D 5/008; B65D 5/422; B65D 5/4225; B65D 25/54; B65D 33/04; B65D 33/14; A47F 7/03; A47F 7/145; B42D 15/02; A45D 40/221

See application file for complete search history.

(56) **References Cited**

U.S. PATENT DOCUMENTS

3,648,833 A * 3/1972 Dash B65D 5/4204
 206/215
 3,690,450 A * 9/1972 Sheldon B65D 25/02
 206/765
 3,987,891 A * 10/1976 Horvath B65D 11/12
 206/1.5
 4,154,338 A * 5/1979 Adler G11B 23/0233
 206/232
 4,345,133 A * 8/1982 Cherney B65D 81/3453
 219/729

4,445,612 A * 5/1984 Shepherd G11B 23/0233
 206/232
 4,745,249 A * 5/1988 Daniels B65D 81/3453
 219/730
 4,838,420 A * 6/1989 Collett B65D 81/107
 206/387.1
 4,965,427 A * 10/1990 Seaborne B65D 81/3446
 219/759
 4,986,419 A * 1/1991 Collett B65D 81/107
 206/387.1
 5,080,222 A * 1/1992 McNary B65D 50/045
 206/1.5
 7,854,325 B2 * 12/2010 Bentele B65D 5/38
 206/531
 7,900,772 B2 * 3/2011 Sack A61J 1/035
 206/528
 9,248,934 B2 * 2/2016 Halimun B65D 5/728
 9,938,042 B1 * 4/2018 Aryanpanah B65D 50/04
 D816,479 S * 5/2018 Sill D9/418
 D819,439 S * 6/2018 Young D9/420
 D820,080 S * 6/2018 Kase D9/420
 10,301,060 B2 * 5/2019 Streckowski B65D 5/4204
 D864,958 S * 10/2019 Yuksek D14/349
 D868,575 S * 12/2019 Davidson, Jr. D9/418
 D878,197 S * 3/2020 Griffin D9/432
 D890,605 S * 7/2020 Nelson D9/423
 D897,197 S * 9/2020 Tidwell D9/418
 D899,247 S * 10/2020 Kilduff D9/432
 D899,253 S * 10/2020 Natsume D9/456
 D904,873 S * 12/2020 Sill D9/418
 D907,478 S * 1/2021 Marotti D9/418
 D908,498 S * 1/2021 Natsume D9/456
 D909,863 S * 2/2021 Thain D9/418
 2006/0289336 A1 * 12/2006 Ford B65D 25/22
 206/779
 2007/0251983 A1 * 11/2007 Freeze B65D 5/38
 229/125.125
 2014/0090995 A1 * 4/2014 Hahn B65D 73/00
 206/307
 2017/0137167 A1 * 5/2017 Warner B65D 43/22
 2018/0305092 A1 * 10/2018 Lucas, Jr. A61J 1/03

* cited by examiner

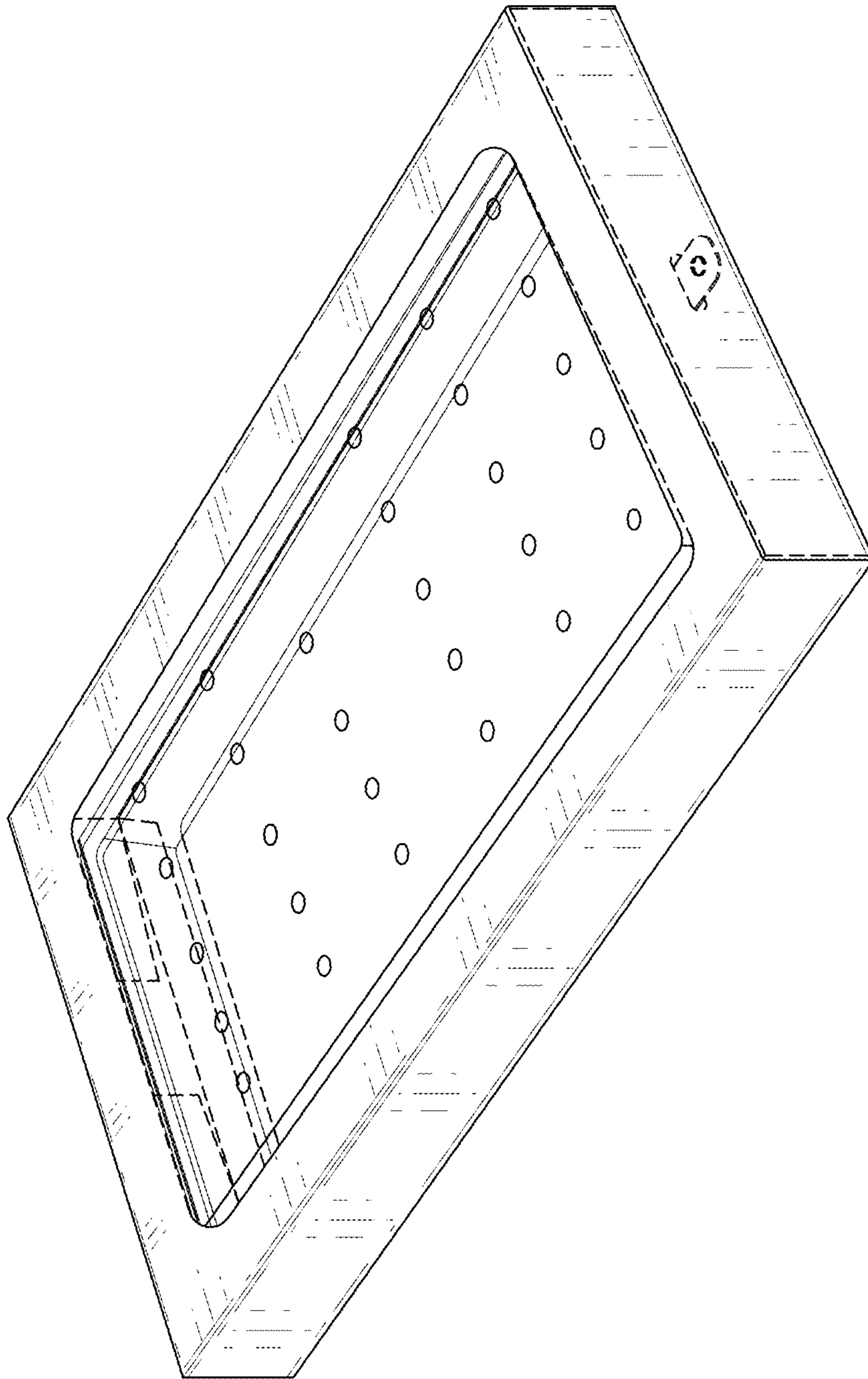


FIG. 1

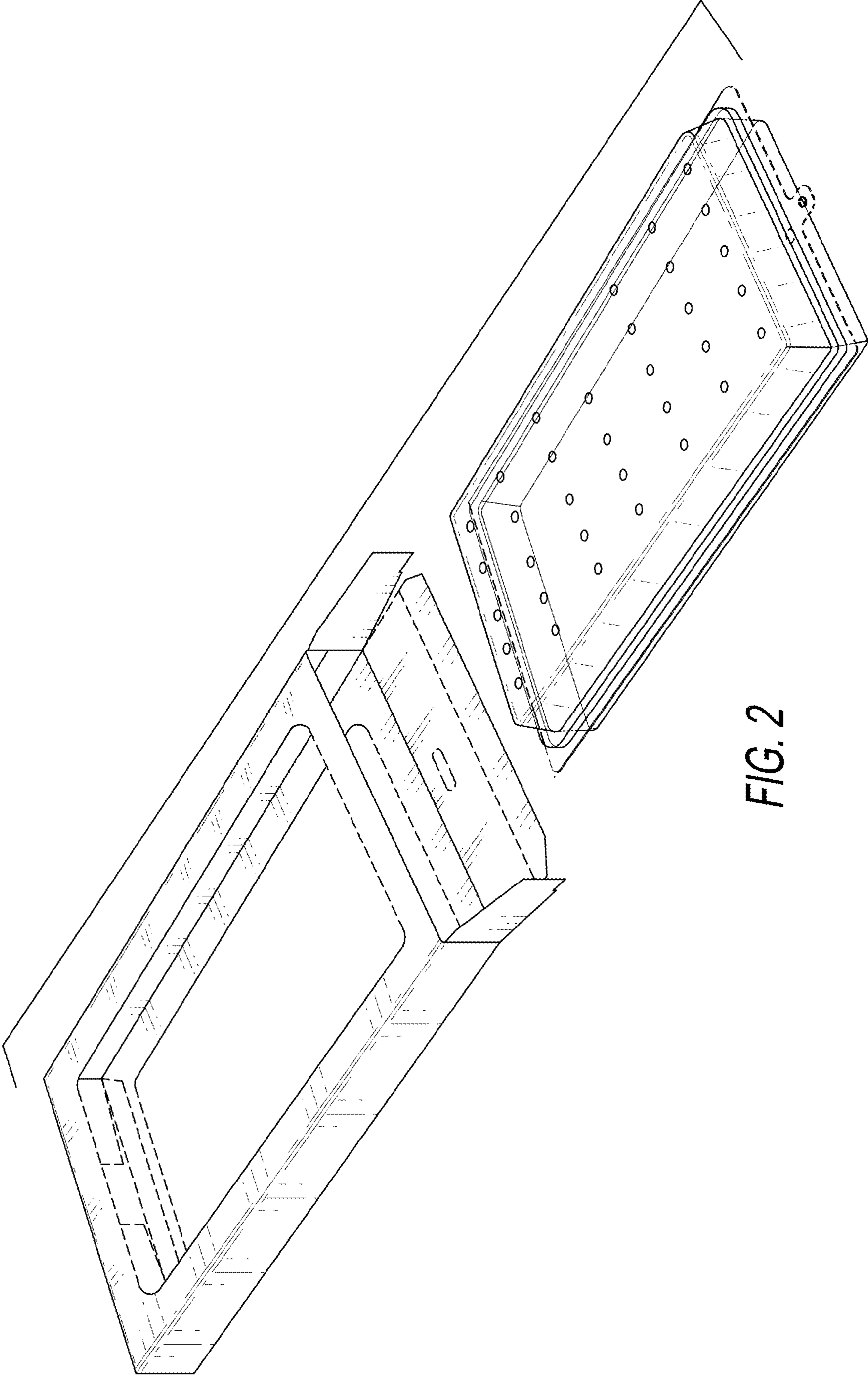


FIG. 2

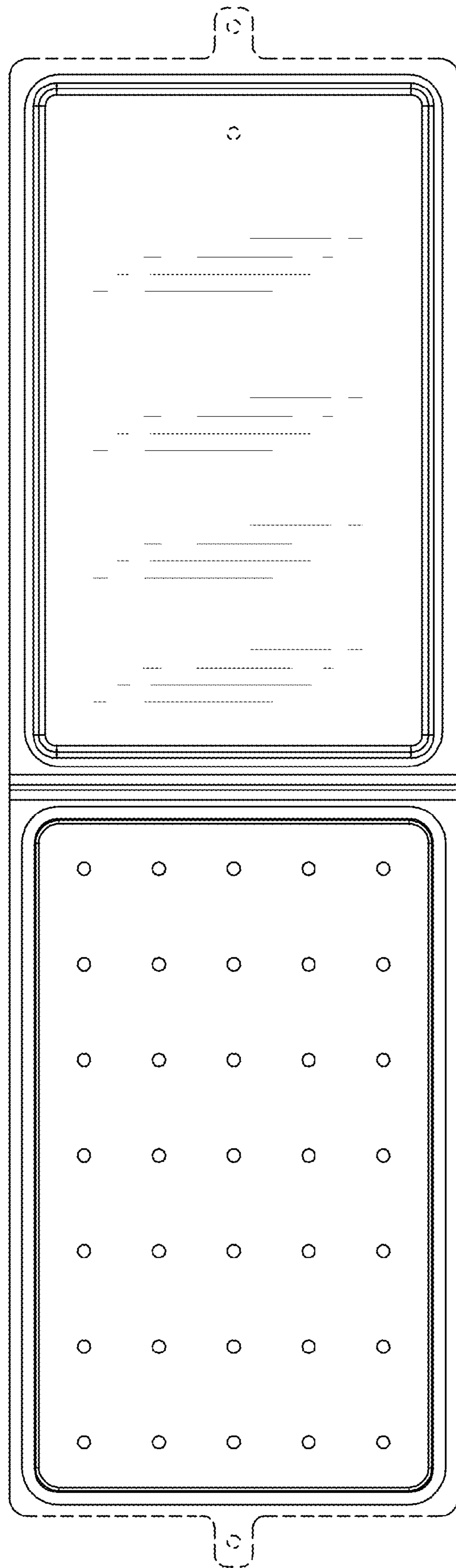


FIG. 3

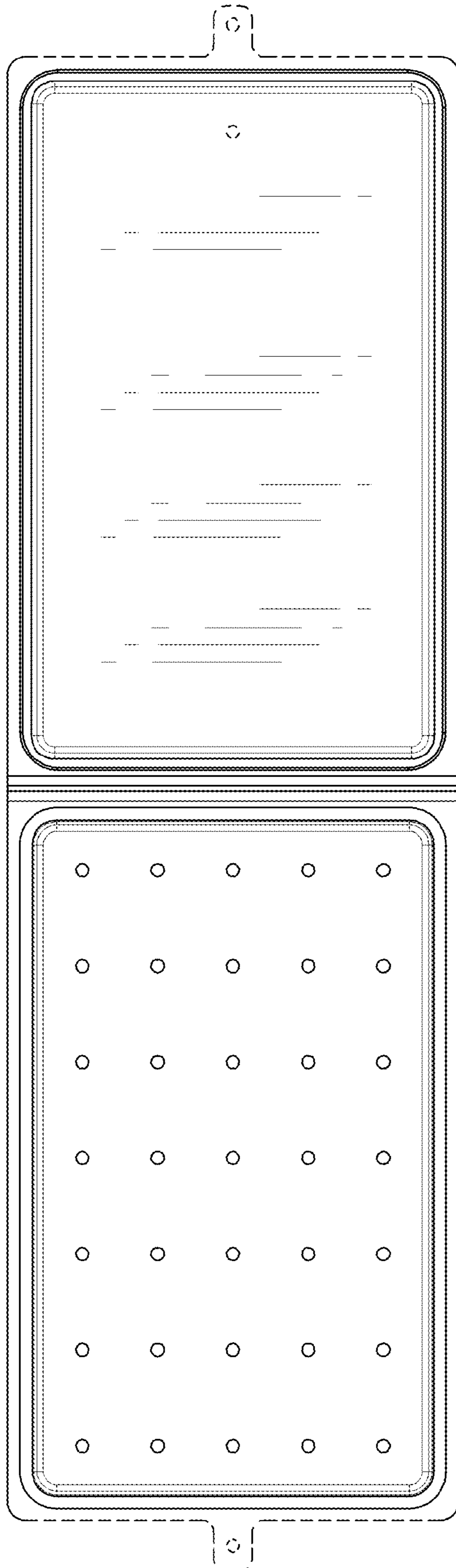


FIG. 4

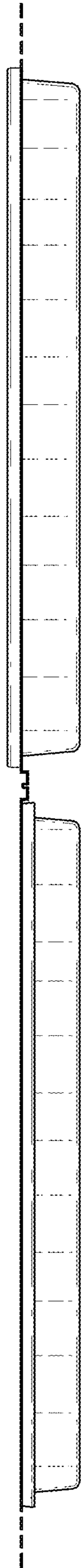


FIG. 5

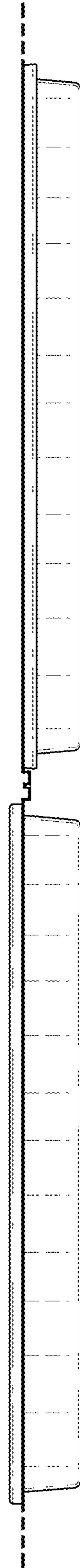


FIG. 6

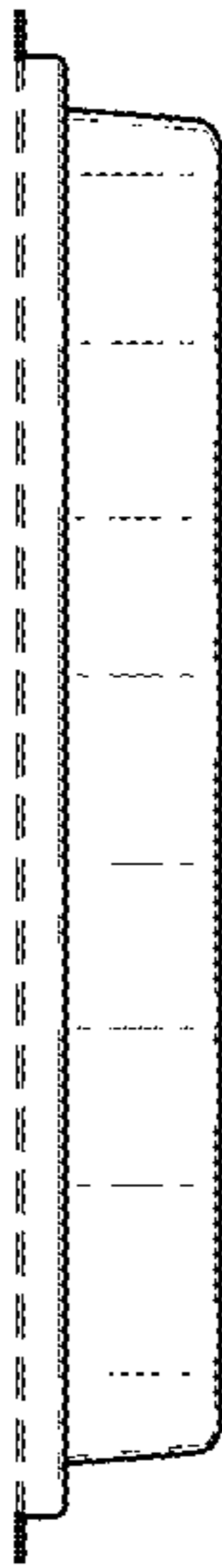


FIG. 7



FIG. 8

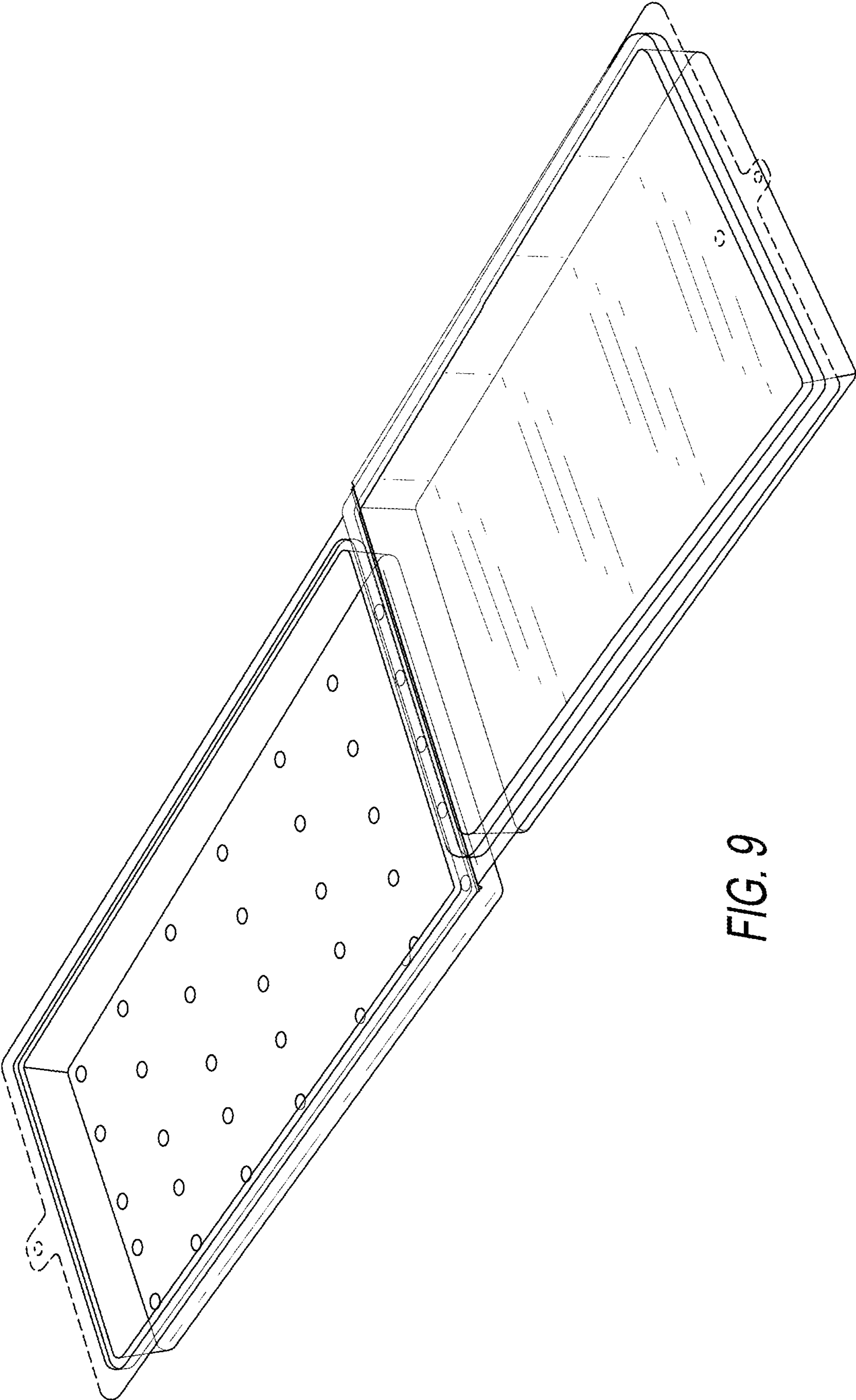


FIG. 9

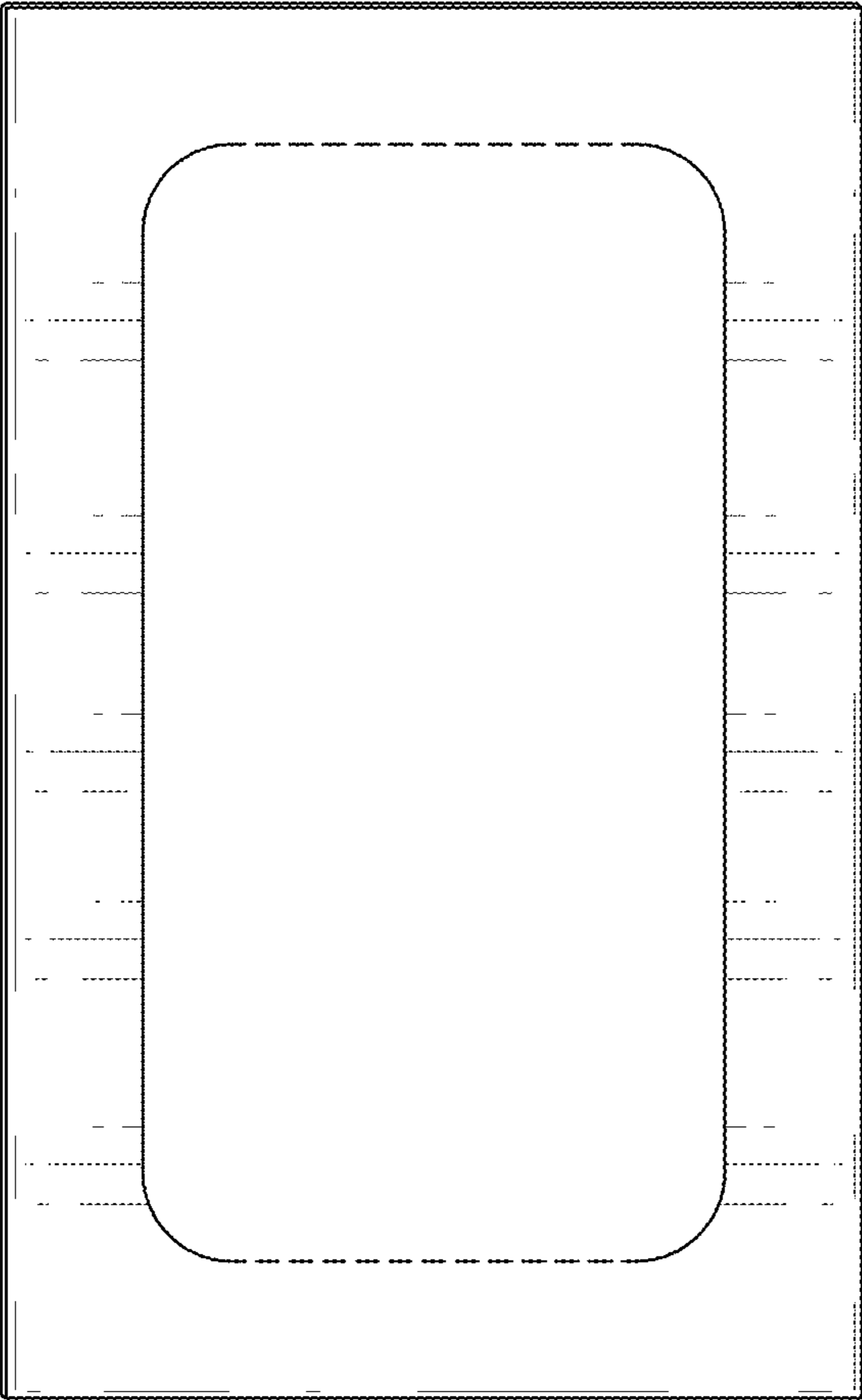


FIG. 10

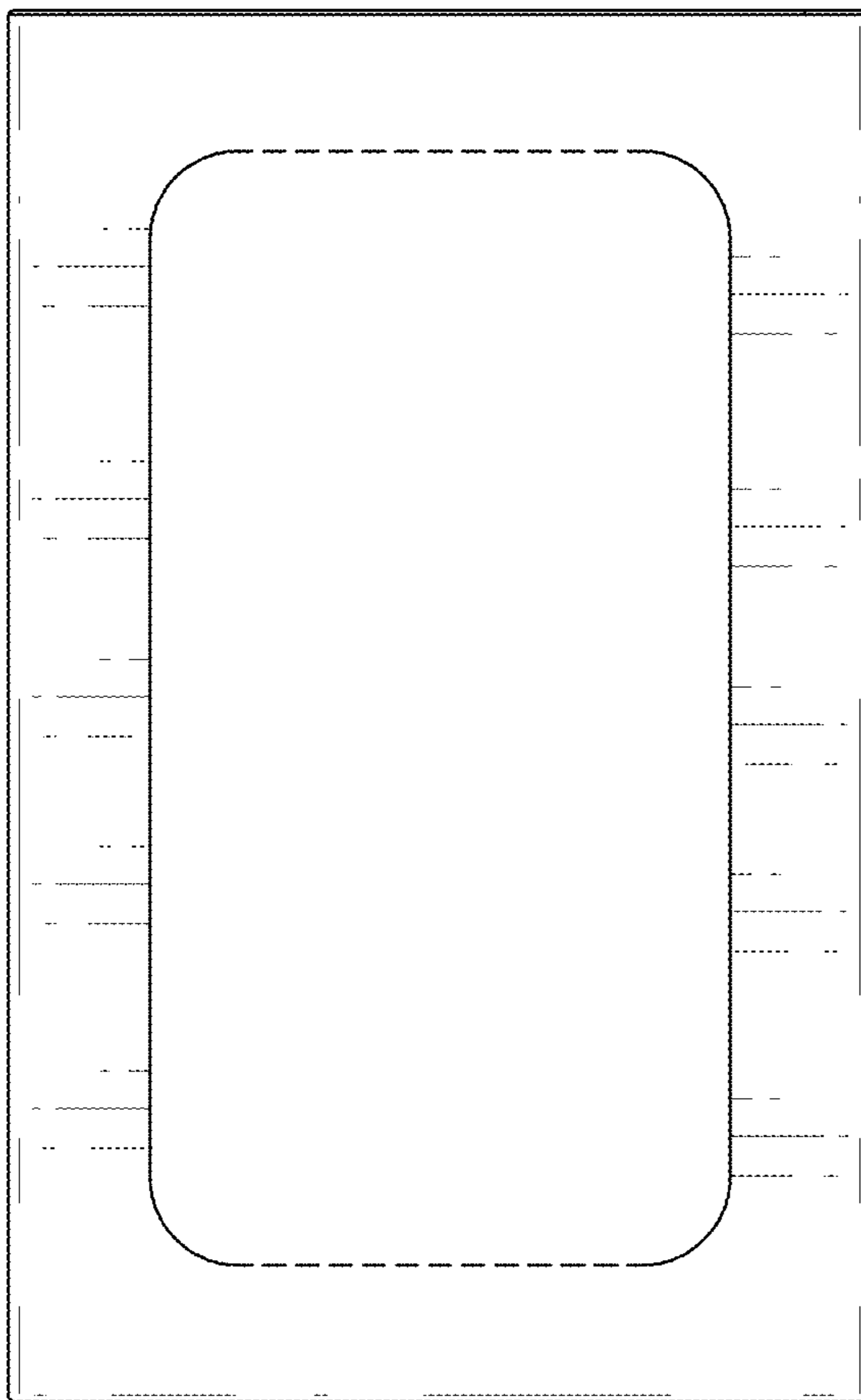


FIG. 11

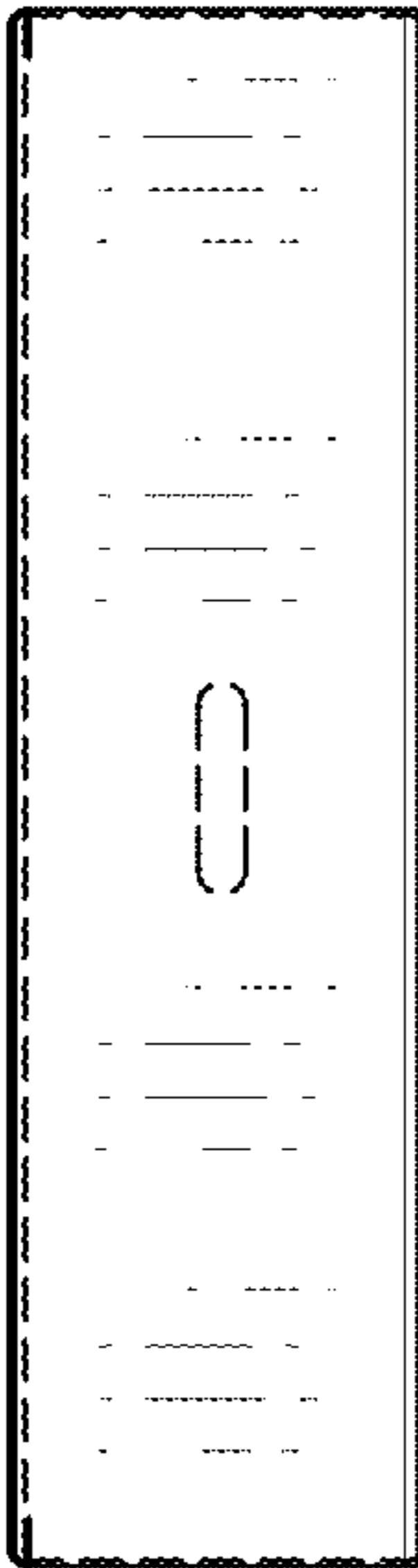


FIG. 12

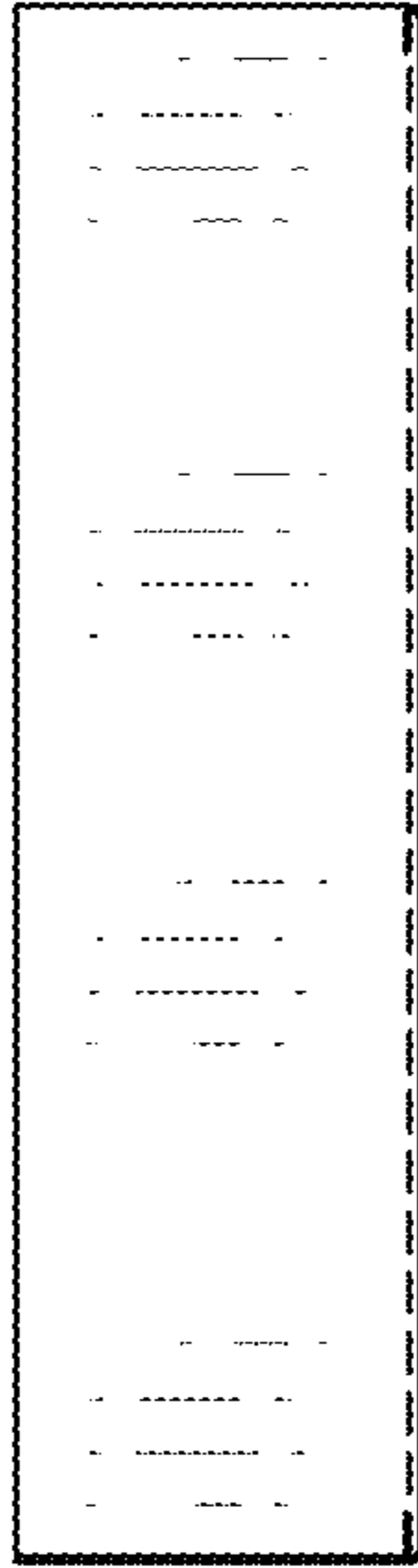


FIG. 13

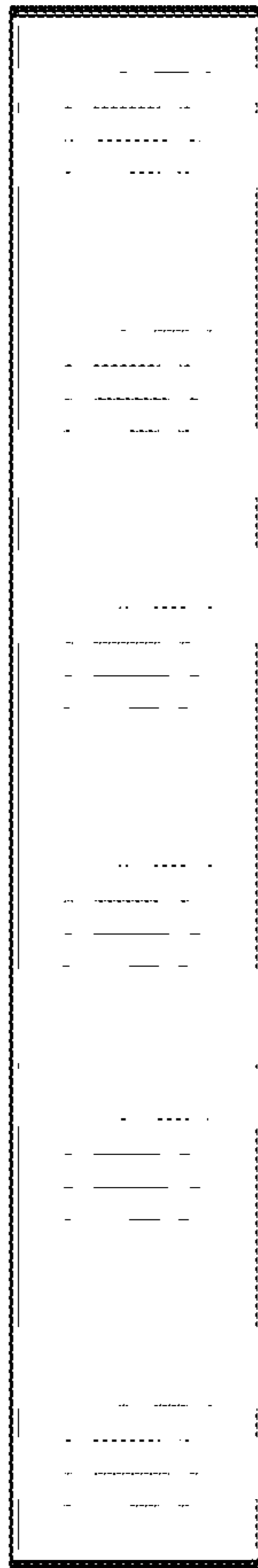


FIG. 14

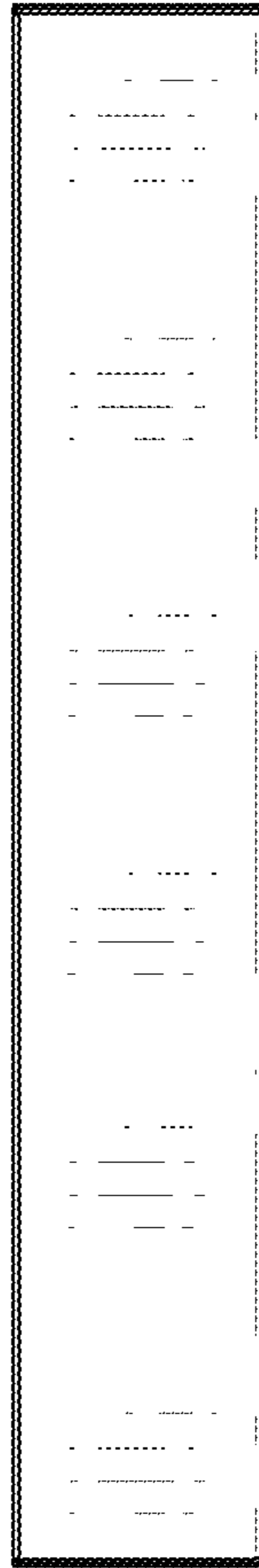


FIG. 15

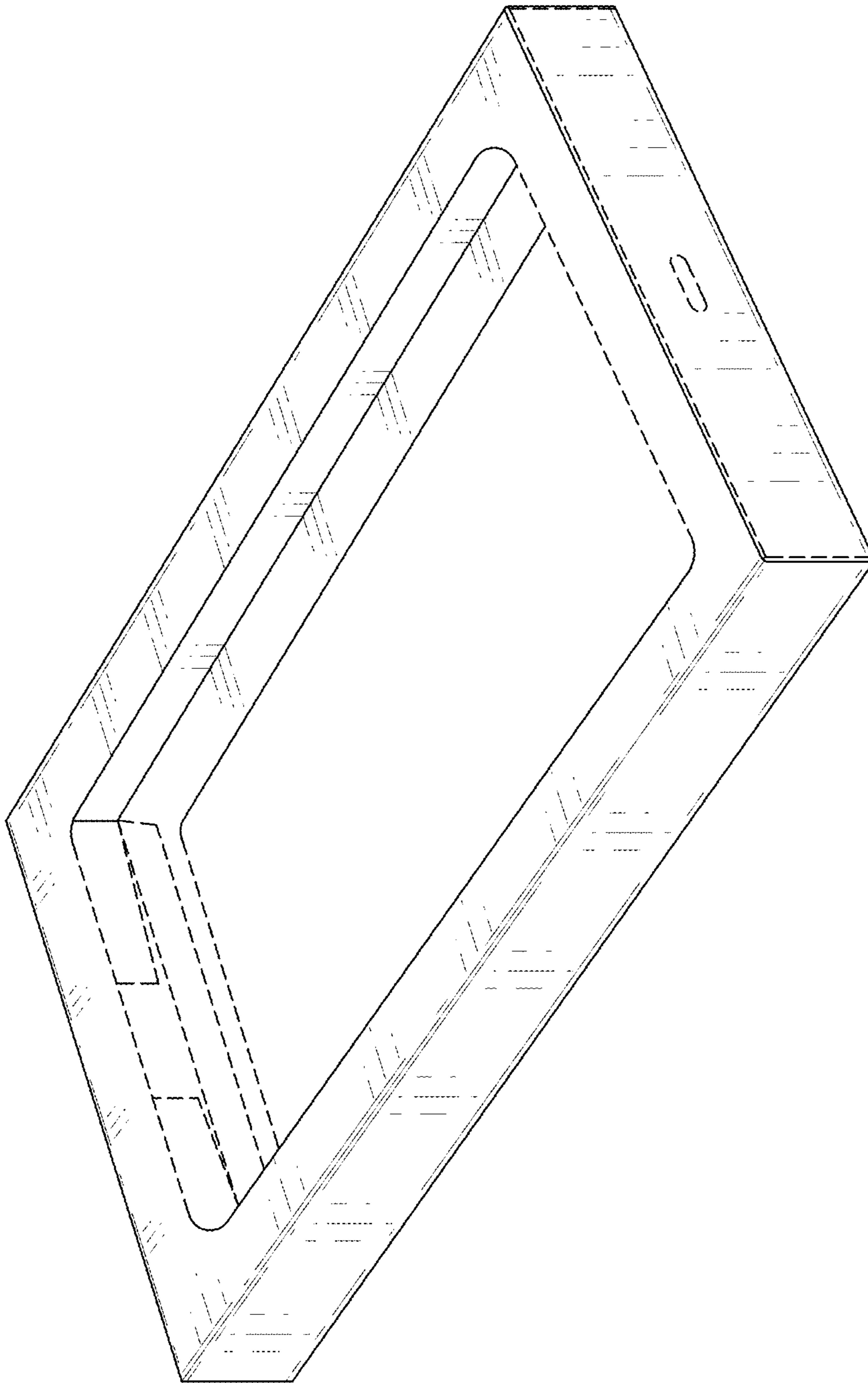


FIG. 16