



US00D929215S

(12) **United States Design Patent** (10) **Patent No.:** **US D929,215 S**
Sutliff, II (45) **Date of Patent:** **** Aug. 31, 2021**

- (54) **TARP ANCHOR** 4,501,369 A * 2/1985 Fox A47F 5/103
108/147.12
- (71) Applicant: **Charles Weiss Sutliff, II**, Kila, MT (US) D278,594 S * 4/1985 Lye D8/25
4,541,148 A * 9/1985 Watanabe A44B 1/08
24/102 PL
- (72) Inventor: **Charles Weiss Sutliff, II**, Kila, MT (US) D288,162 S * 2/1987 Hutton D11/212
4,688,304 A * 8/1987 Marcott A47K 10/12
135/119
- (**) Term: **15 Years** 4,897,007 A * 1/1990 Chen F16B 15/06
16/441
- (21) Appl. No.: **29/772,400** 5,074,014 A * 12/1991 Freeman E04H 15/64
24/714.6
- (22) Filed: **Mar. 1, 2021** D324,649 S * 3/1992 Lederhaus, Jr. D8/391
D329,192 S ‡ 9/1992 Susac D8/349
(Continued)

Related U.S. Application Data

- (63) Continuation-in-part of application No. 29/647,377, filed on May 11, 2018, now Pat. No. Des. 911,831.
- (51) **LOC (13) Cl.** **08-08**
- (52) **U.S. Cl.**
USPC **D8/394**
- (58) **Field of Classification Search**
USPC D8/382, 383, 394, 395, 499; D11/200,
D11/212, 215, 218; D19/65; D21/839
CPC .. F16B 1/00; F16B 2001/0028; H01F 7/0263;
A44B 99/005; A44B 1/32; A44B 13/00;
A44B 11/20; Y10T 24/21; Y10T
24/44034; Y10T 24/44043
See application file for complete search history.

References Cited

U.S. PATENT DOCUMENTS

- (56) 1,487,355 A * 3/1924 Overmyer E05B 1/0015
16/417
- 2,939,195 A * 6/1960 Carlson F16B 2/248
24/459
- 3,780,400 A ‡ 12/1973 Hinsperger A44B 1/185
24/16 P
- 3,936,912 A * 2/1976 Flanagan, Jr. E04H 15/64
24/459

OTHER PUBLICATIONS

“Anchor Point,” <<http://usaprogrip.com/products/ratchets-3-2/bar-handle-2-2/>>, 1 page, retrieved on Apr. 27, 2018, (attached).‡
(Continued)

Primary Examiner — Steven J Czyz
(74) *Attorney, Agent, or Firm* — Sarah J. Rhoades

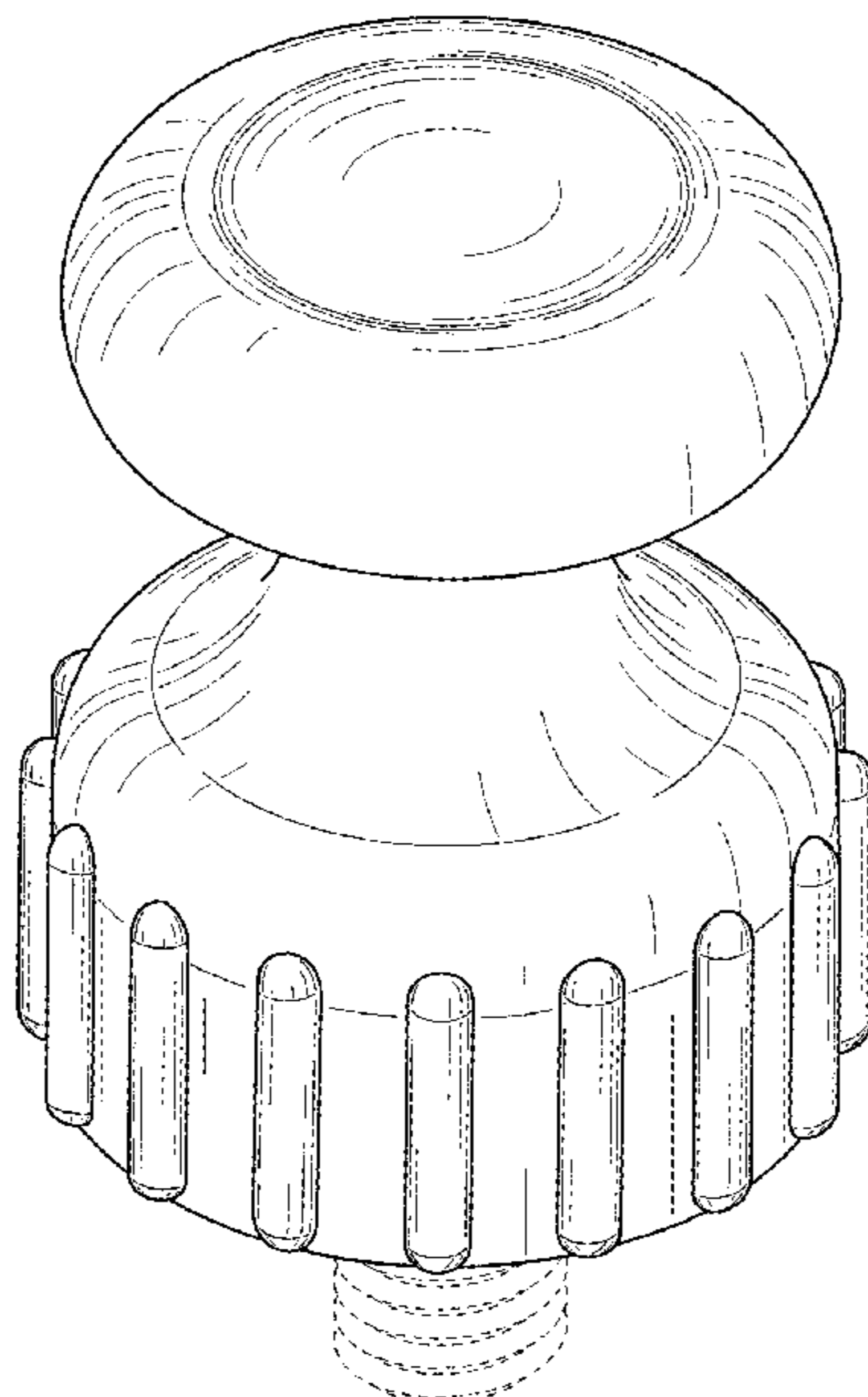
(57) **CLAIM**

The ornamental design for a tarp anchor, as shown and described.

DESCRIPTION

FIG. 1 is a top perspective view of a tarp anchor;
FIG. 2 is a front view of FIG. 1;
FIG. 3 is a rear view of FIG. 1;
FIG. 4 is a first side view of FIG. 1;
FIG. 5 is a second side view of FIG. 1;
FIG. 6 is a top view of FIG. 1; and,
FIG. 7 is a bottom view of FIG. 1.
The broken lines depict portions of the article that form no part of the claimed design.

1 Claim, 4 Drawing Sheets



US D929,215 S

(56)

References Cited

U.S. PATENT DOCUMENTS

5,168,605	A *	12/1992	Bartlett	A47C 21/022	24/129 R	8,650,725	B1 *	2/2014	Cooper	E04H 15/64	24/459
D333,085	S †	2/1993	Thomsen	D8/349		8,752,803	B2 *	6/2014	Goldberg	B43M 15/00	248/490
D337,255	S *	7/1993	Novelli, Sr.	D30/155		D729,041	S †	5/2015	Smith	D8/349	
D339,521	S *	9/1993	Bartlett	D11/212		D748,461	S †	2/2016	Catchings	D8/394	
D340,007	S *	10/1993	Gershenson	D11/200		9,248,696	B2 *	2/2016	Maria	B44C 5/02	
5,274,885	A †	1/1994	Hellweg	A45F 5/02	224/272	9,249,814	B2 †	2/2016	Tsai	A45F 5/004	
5,353,441	A †	10/1994	Lazorchak	A41D 27/085	2/240	D751,889	S †	3/2016	Thiltges	D8/394	
D361,671	S *	8/1995	Sharpe	D6/323		D767,957	S †	10/2016	Hancock	D8/44	
D362,176	S *	9/1995	Solbeck	D8/382		D768,468	S *	10/2016	Maloney	D8/382	
5,499,427	A *	3/1996	Bowman	A47B 95/02	16/417	D768,472	S *	10/2016	Yoshihashi	D8/382	
D375,248	S †	11/1996	Bryant	D8/344		D773,339	S †	12/2016	McClure	D11/200	
D393,417	S *	4/1998	Glickman	D8/382		D774,380	S *	12/2016	Apter	D8/349	
D398,451	S *	9/1998	Sharpe	D6/323		9,516,931	B2 *	12/2016	Mencagli	A44B 1/32	
D409,663	S *	5/1999	Wagner	F16B 11/006	D19/65	9,610,904	B2 *	4/2017	Huelke	B60R 13/0206	
D414,207	S *	9/1999	Wagner	D19/65		D799,938	S *	10/2017	Lowitz	D8/354	
D428,058	S *	7/2000	Wagner	A44B 1/32	D19/65	9,777,756	B2 †	10/2017	Oakes	F16B 1/00	
6,132,060	A *	10/2000	Gallo	B43M 15/00	362/190	9,874,039	B2 *	1/2018	Haas	E04H 15/64	
6,199,247	B1 *	3/2001	Tsai	A47K 10/14	24/343	D810,265	S *	2/2018	Chen	D23/366	
6,273,656	B1 *	8/2001	Cleland	F16B 19/1081	411/45	D813,720	S †	3/2018	Fantauzzo	D11/200	
6,283,348	B1 †	9/2001	Wang	A45F 5/02	224/197	D815,516	S *	4/2018	Karmarkar	D8/382	
6,292,987	B1 †	9/2001	Combes	B60J 7/104	24/460	9,961,966	B2 *	5/2018	Ryan	A44B 1/32	
D454,591	S *	3/2002	Vidmar	A44B 1/32	D19/65	D819,428	S *	6/2018	Ng	D8/354	
D465,525	S †	11/2002	Dilday	B42F 1/06	D19/65	D835,506	S *	12/2018	Evans	D9/439	
6,484,370	B2 *	11/2002	Kanie	B60R 13/0206	24/297	D839,095	S *	1/2019	Fux	D9/503	
D466,937	S *	12/2002	Kochlefl	D19/65		D839,096	S *	1/2019	Fux	D9/503	
6,719,513	B1 *	4/2004	Moutousis	F16B 21/084	411/510	D840,013	S *	2/2019	Zhang	D23/366	
D506,121	S †	6/2005	Falconer	D12/162		10,264,862	B2 *	4/2019	Makuyana	A47D 13/02	
D507,306	S *	7/2005	Siegel	D19/65		D852,318	S *	6/2019	Lin	D23/207	
D508,533	S *	8/2005	Siegel	E04H 15/64	D19/65	10,327,438	B2 *	6/2019	Heegaard	F16B 1/00	
D509,471	S †	9/2005	Cronce	D12/414		10,328,776	B2 †	6/2019	Tortorella, Jr.	B60J 7/104	
6,978,522	B2 †	12/2005	Liao	F16B 5/0692	24/459	10,371,183	B2 †	8/2019	Moreau	F16B 2/185	
7,178,855	B2 †	2/2007	Catron	B60J 5/0468	24/297	10,400,949	B1 †	9/2019	Kozak	F16M 13/02	
D552,691	S †	10/2007	Tak	D21/480		10,441,075	B2 *	10/2019	Kasza	A47B 73/00	
D562,124	S †	2/2008	Hargis	D8/394		D866,309	S *	11/2019	McGrath	D8/382	
D571,278	S *	6/2008	Carnevali	D12/223		D867,117	S *	11/2019	McGrath	D8/382	
D572,117	S †	7/2008	Daun	D8/354		10,495,126	B2 *	12/2019	Bejin	F16L 3/137	
D573,453	S *	7/2008	Buckley	D8/382		D874,252	S †	2/2020	Eremita	D8/394	
D574,700	S *	8/2008	Bevirt	D8/382		D874,254	S †	2/2020	Eremita	D8/394	
7,406,753	B2 †	8/2008	LaScala	E04H 15/64	24/460	D878,528	S *	3/2020	Fu	D23/356	
D583,224	S *	12/2008	Holdsworth	D8/382		10,602,806	B2 *	3/2020	Dagostino	A44B 1/32	
D588,902	S *	3/2009	Carnevali	D8/354		D881,367	S *	4/2020	Kihm	D23/366	
D623,506	S *	9/2010	Ghatikar	D8/382		D882,384	S *	4/2020	Bastian	D8/382	
D639,633	S *	6/2011	Bishop	D8/312		D886,872	S *	6/2020	Myers	D15/7	
D641,476	S *	7/2011	Sibhatu	D24/156		D886,978	S *	6/2020	Jo	D23/366	
D642,890	S *	8/2011	Roe	D8/310		D891,235	S *	7/2020	Liebelt	D8/382	
D645,723	S *	9/2011	Roe	D8/307		D892,606	S *	8/2020	Sullivan	D8/394	
D658,036	S †	4/2012	Fong	D8/339		D893,987	S *	8/2020	Cook	D8/382	
D662,392	S †	6/2012	Main	D8/331		10,733,917	B2 *	8/2020	Davison	F16B 11/006	
D674,273	S *	1/2013	Yogev	D8/382		10,835,037	B2 *	11/2020	Kasza	F16B 12/14	
D675,304	S *	1/2013	Valentino	D23/366		D910,426	S *	2/2021	Wang	D8/382	
D679,170	S †	4/2013	Else	D8/349		D911,831	S *	3/2021	Sutliff, II	D8/394	
8,490,257	B2 *	7/2013	Cameron	A44B 1/04	24/674	D915,575	S *	4/2021	Chen	D23/366	
							D917,292	S *	4/2021	Blomberg	D9/504	
							2001/0042273	A1 †	11/2001	Chaffee	A44B 11/2584	5/655.3
							2004/0083583	A1 *	5/2004	Bradley	F16B 5/0657	24/297
							2004/0159208	A1 †	8/2004	Yasunori	G10G 5/005	84/329
							2005/0198791	A1 †	9/2005	Liao	F16B 5/0692	24/459
							2007/0099469	A1 *	5/2007	Sorensen	A45F 5/02	439/289
							2008/0209698	A1 †	9/2008	Colorado	A45F 5/02	24/595.1
							2010/0199467	A1 †	8/2010	Morejon	A47D 15/008	24/442
							2014/0245592	A1 *	9/2014	Burkhart	G09F 7/20	29/525.11

(56)

References Cited

U.S. PATENT DOCUMENTS

2016/0333906 A1 ‡ 11/2016 Varga F16B 2/18
2017/0119108 A1 * 5/2017 Schlick B60J 7/104

OTHER PUBLICATIONS

<http://usaprogrip.com/products/ratchets-3-2/bar-handle-2-2/>. ‡

* cited by examiner

‡ imported from a related application

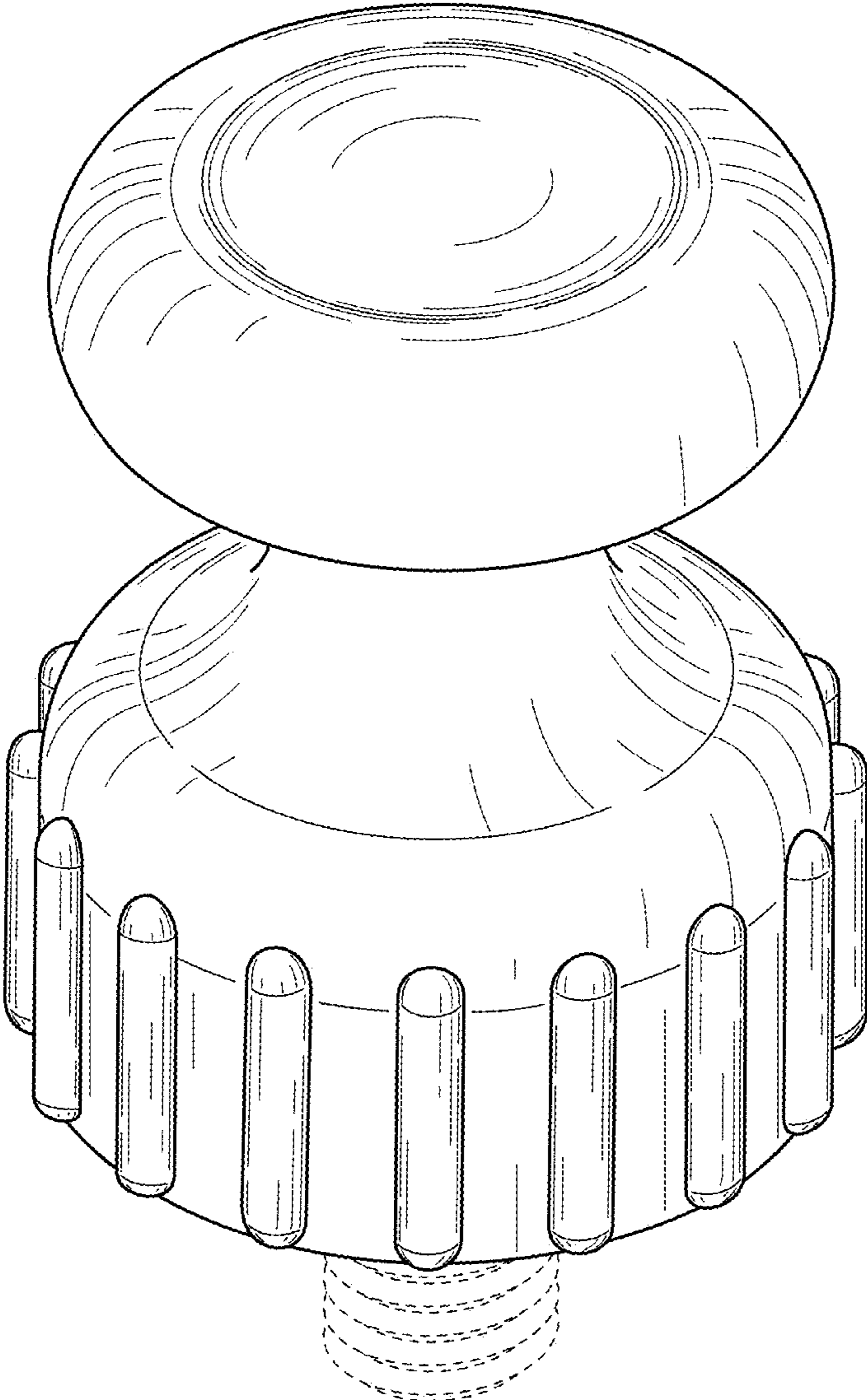


FIG. 1

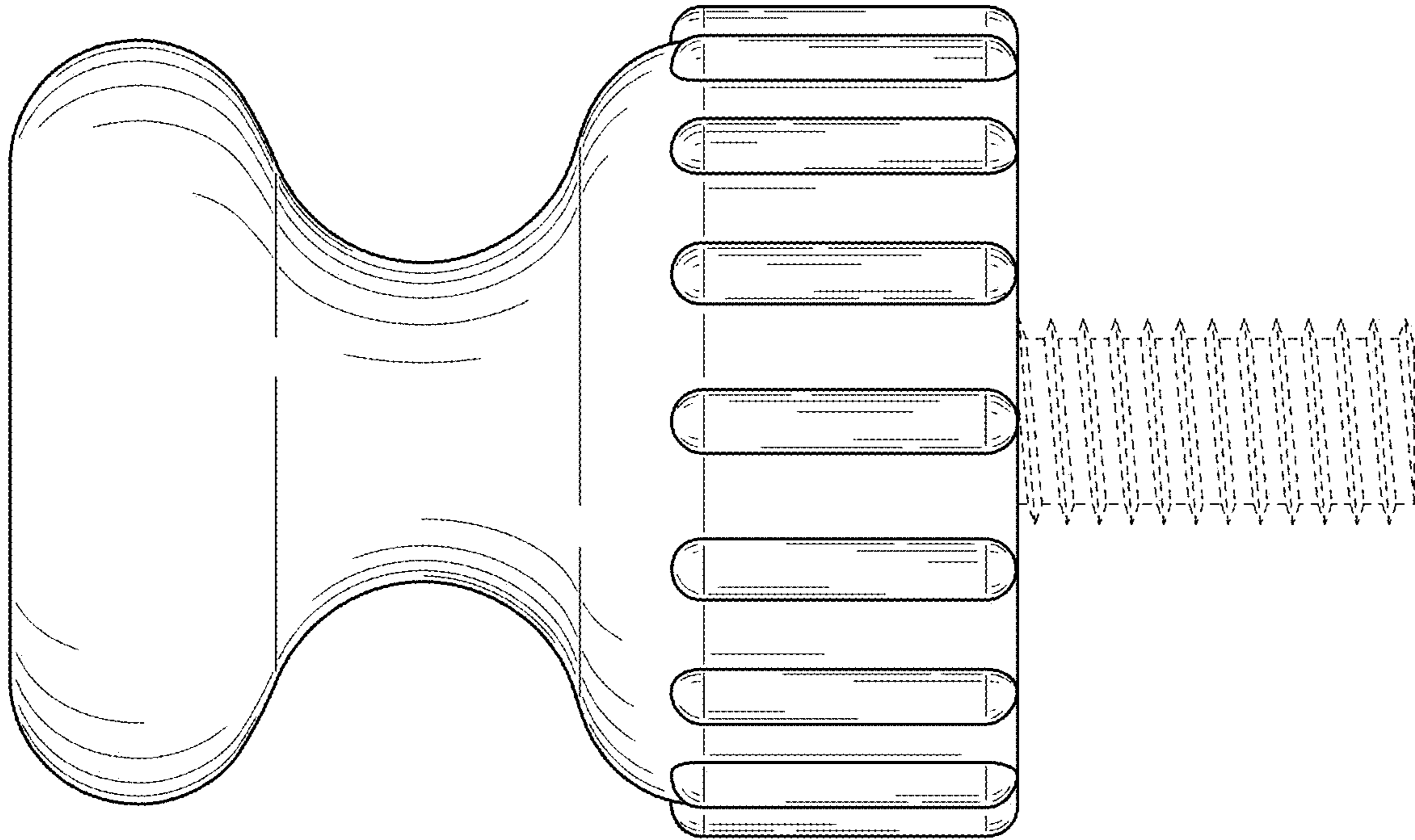


FIG. 3

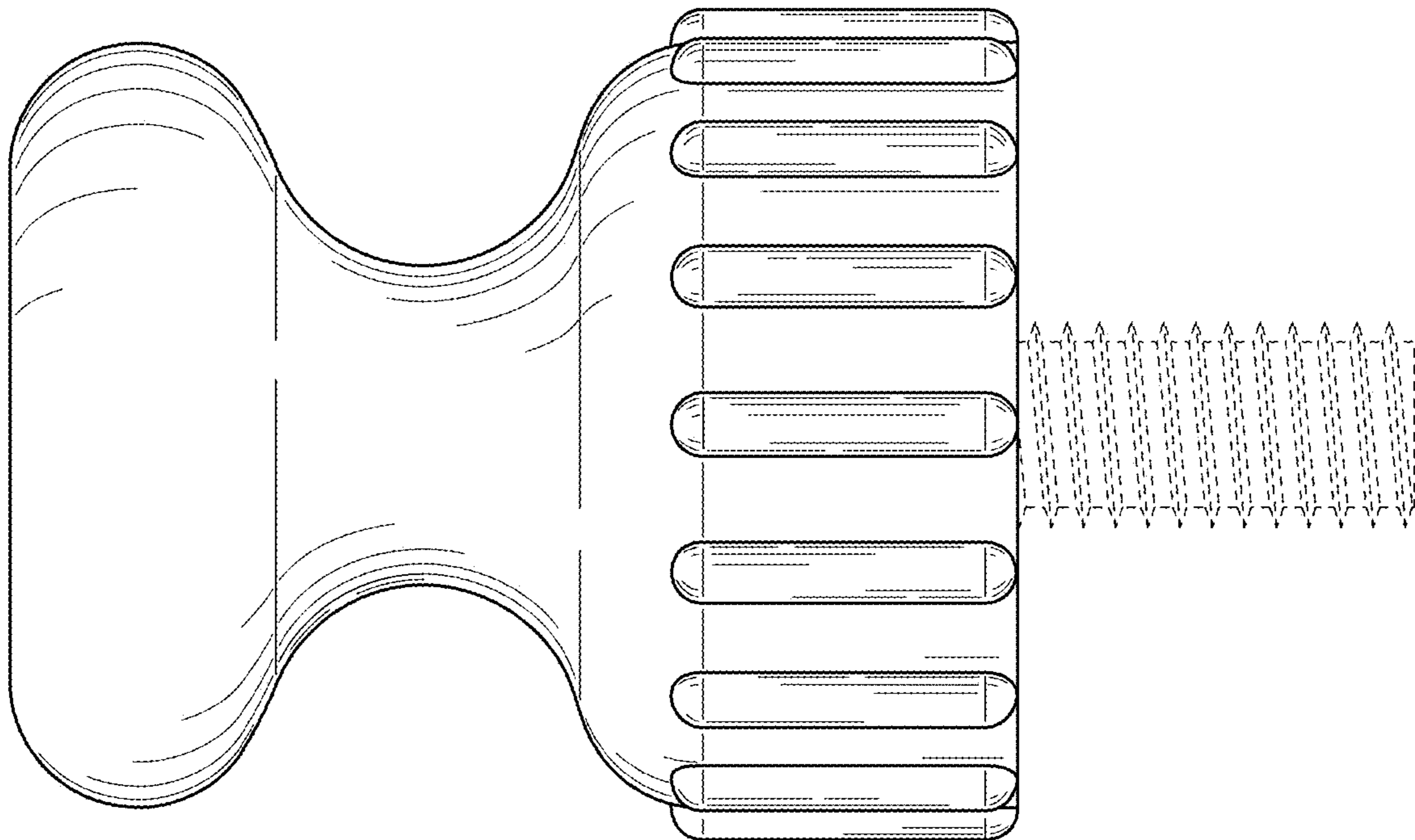


FIG. 2

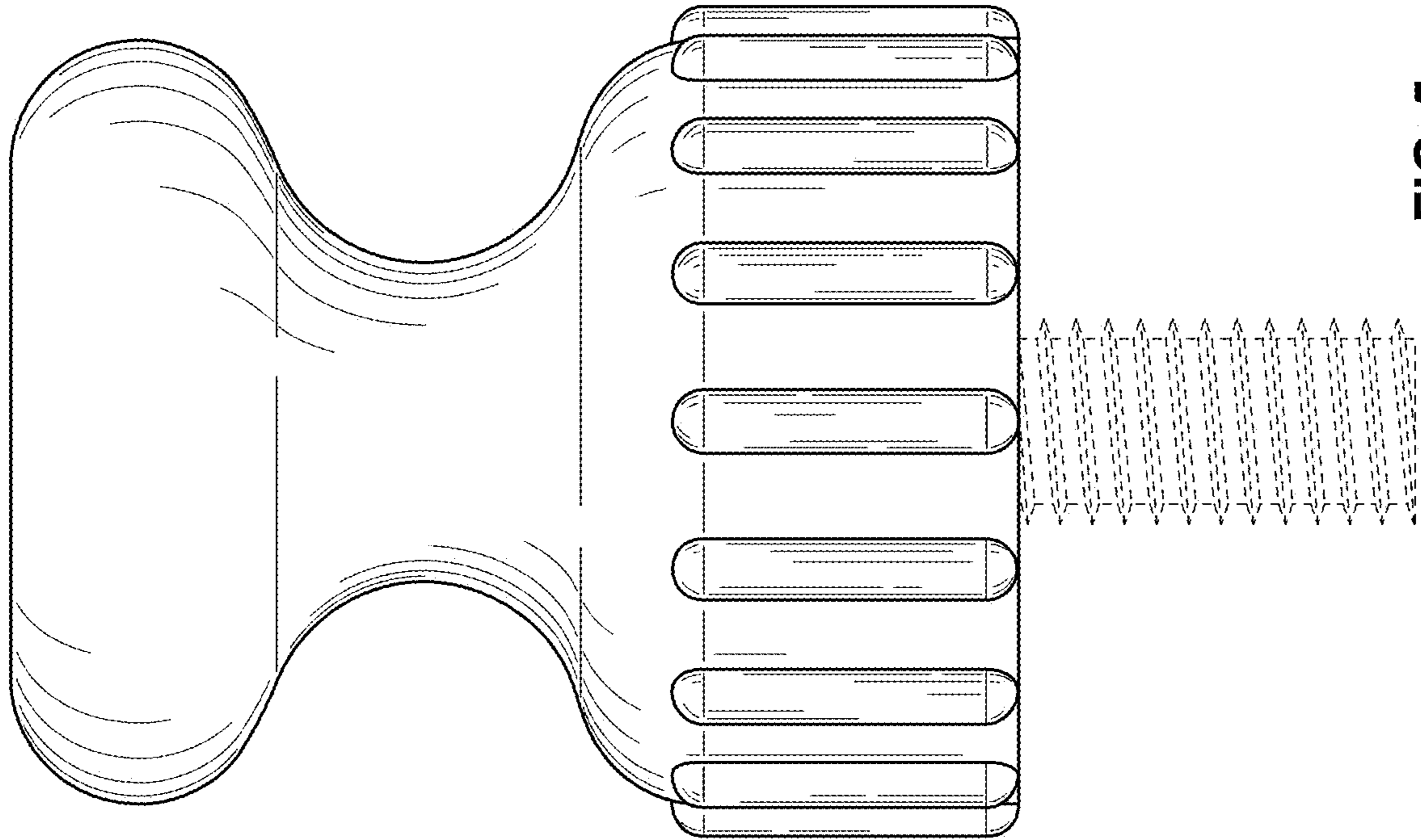


FIG. 5

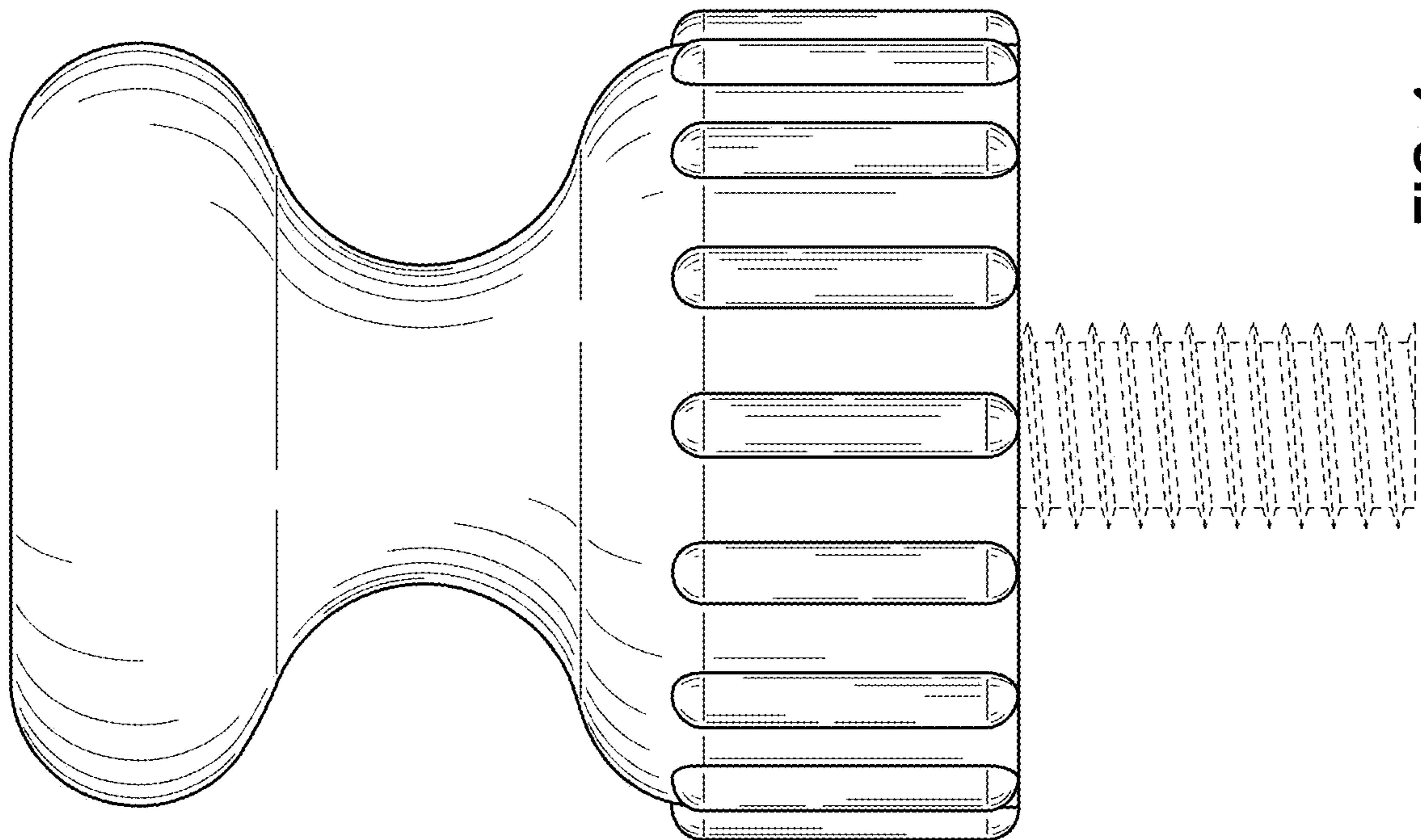


FIG. 4

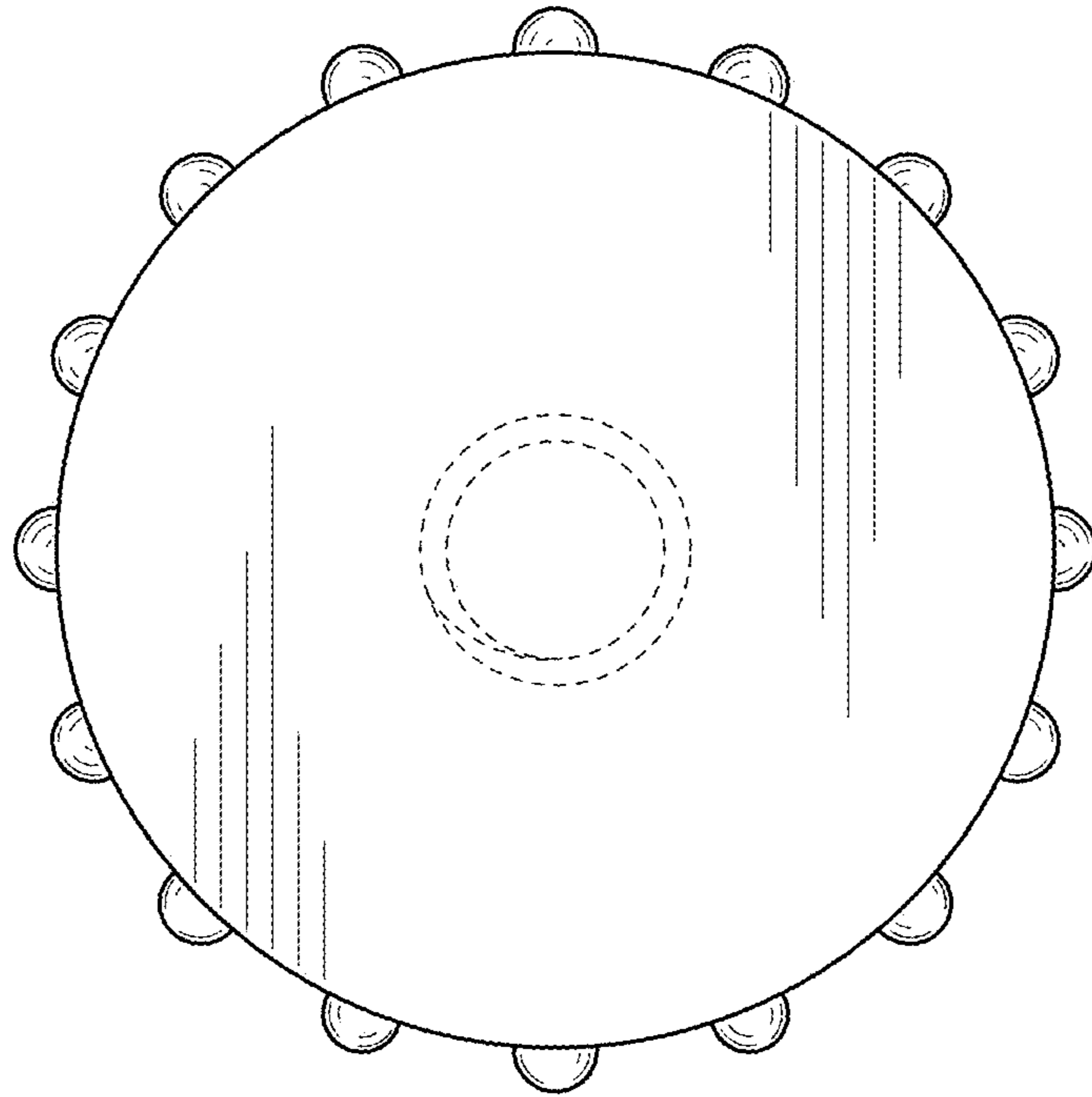


FIG. 7

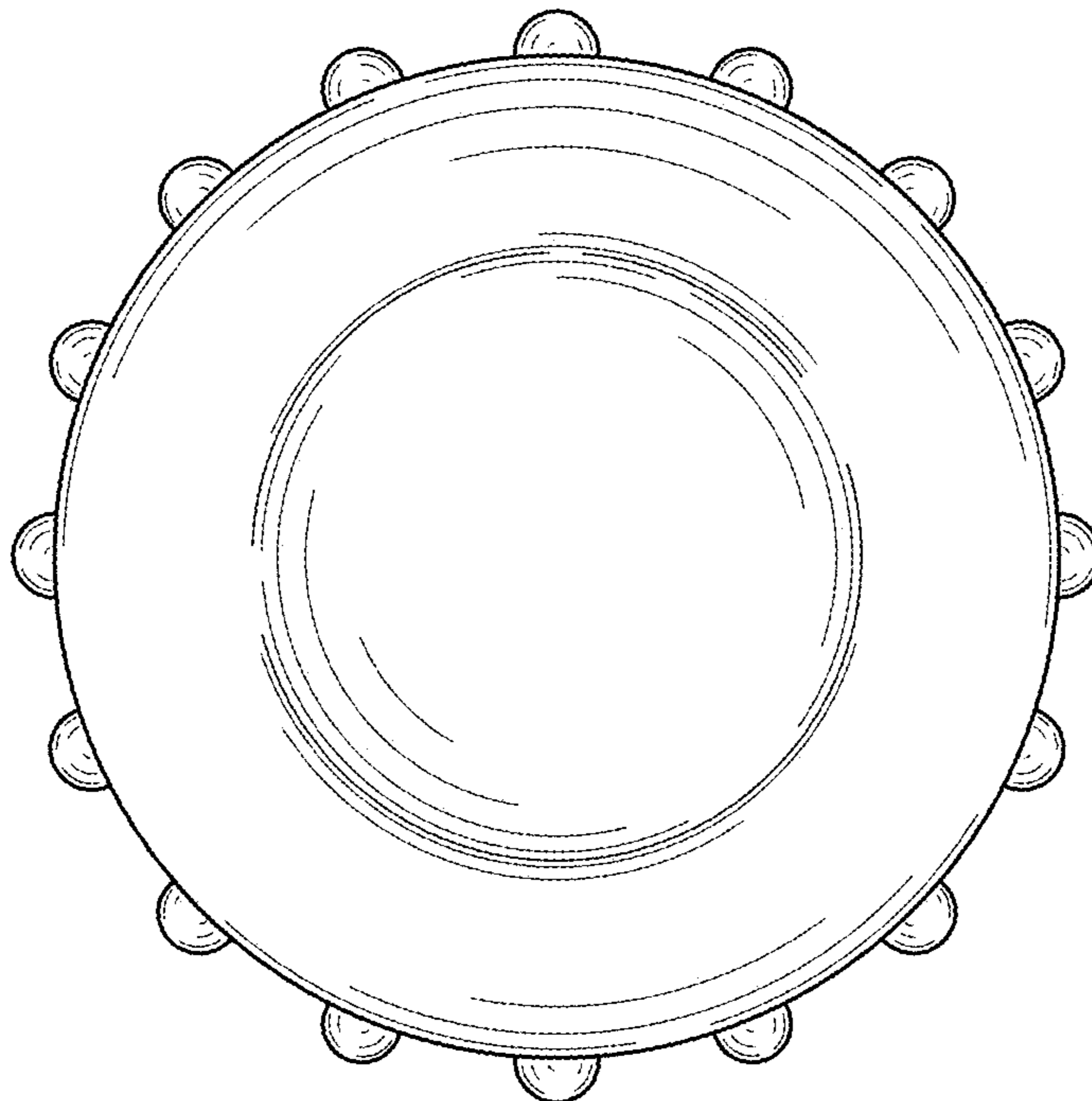


FIG. 6