

US00D929214S

(12) **United States Design Patent**
Zatta

(10) **Patent No.:** **US D929,214 S**

(45) **Date of Patent:** **** Aug. 31, 2021**

- (54) **STRAIGHT CONICAL SET SCREW**
- (71) Applicant: **Next Orthosurgical, Inc., Vista, CA (US)**
- (72) Inventor: **Daniel Zatta, Vista, CA (US)**
- (73) Assignee: **Next Orthosurgical, Inc., Vista, CA (US)**
- (**) Term: **15 Years**
- (21) Appl. No.: **29/686,545**
- (22) Filed: **Apr. 4, 2019**
- (51) **LOC (13) Cl.** **08-08**
- (52) **U.S. Cl.**
USPC **D8/387; D24/171**
- (58) **Field of Classification Search**
USPC **D8/349, 387; D24/171**
CPC **A61B 17/7032; A61B 17/7037; A61B 17/7035; A61B 17/7082; A61B 17/8605; A61B 17/7076; A61B 17/17; A61B 17/8685; A61B 17/7001; A61B 17/7034; A61B 17/7002; A61B 17/7085; A61B 17/7038; A61B 17/7086; A61B 17/863; A61B 17/864; A61B 17/8875; A61B 17/564**
See application file for complete search history.

(56) **References Cited**

U.S. PATENT DOCUMENTS

- D799,949 S * 10/2017 Stevenson A61B 17/7038
D8/387
- D812,460 S * 3/2018 Totsu D8/387
- D817,164 S * 5/2018 Totsu D8/387
- 2005/0192571 A1* 9/2005 Abdelgany A61B 17/7037
411/427
- 2008/0086132 A1* 4/2008 Biedermann A61B 17/7032
606/279
- 2008/0140075 A1* 6/2008 Ensign A61B 17/7001
606/60

- 2009/0082812 A1* 3/2009 Lewis A61B 17/7041
606/281
- 2010/0114171 A1* 5/2010 Boachie-Adjei ... A61B 17/7008
606/264
- 2011/0077694 A1* 3/2011 Biedermann A61B 17/7032
606/305
- 2012/0303064 A1* 11/2012 Walker A61B 17/7037
606/270
- 2013/0197585 A1* 8/2013 Jackson A61B 17/8685
606/278
- 2013/0211465 A1* 8/2013 Savage A61B 17/866
606/308
- 2015/0250512 A1* 9/2015 Poker A61B 17/7037
606/305
- 2016/0256198 A1* 9/2016 Biyani A61B 17/8685
(Continued)

OTHER PUBLICATIONS

Set Screws, first available [2016], <https://www.Grainger.com>, [catalog], [site visited Oct. 9, 2020], Available from internet URL:<https://www.grainger.com/category/fasteners/socket-screws-and-set-screws/socket-set-screws> (Year: 2016).*

Primary Examiner — Janice Hallmark
Assistant Examiner — Elizabeth S Ko
(74) *Attorney, Agent, or Firm* — Sheppard Mullin Richter & Hampton LLP

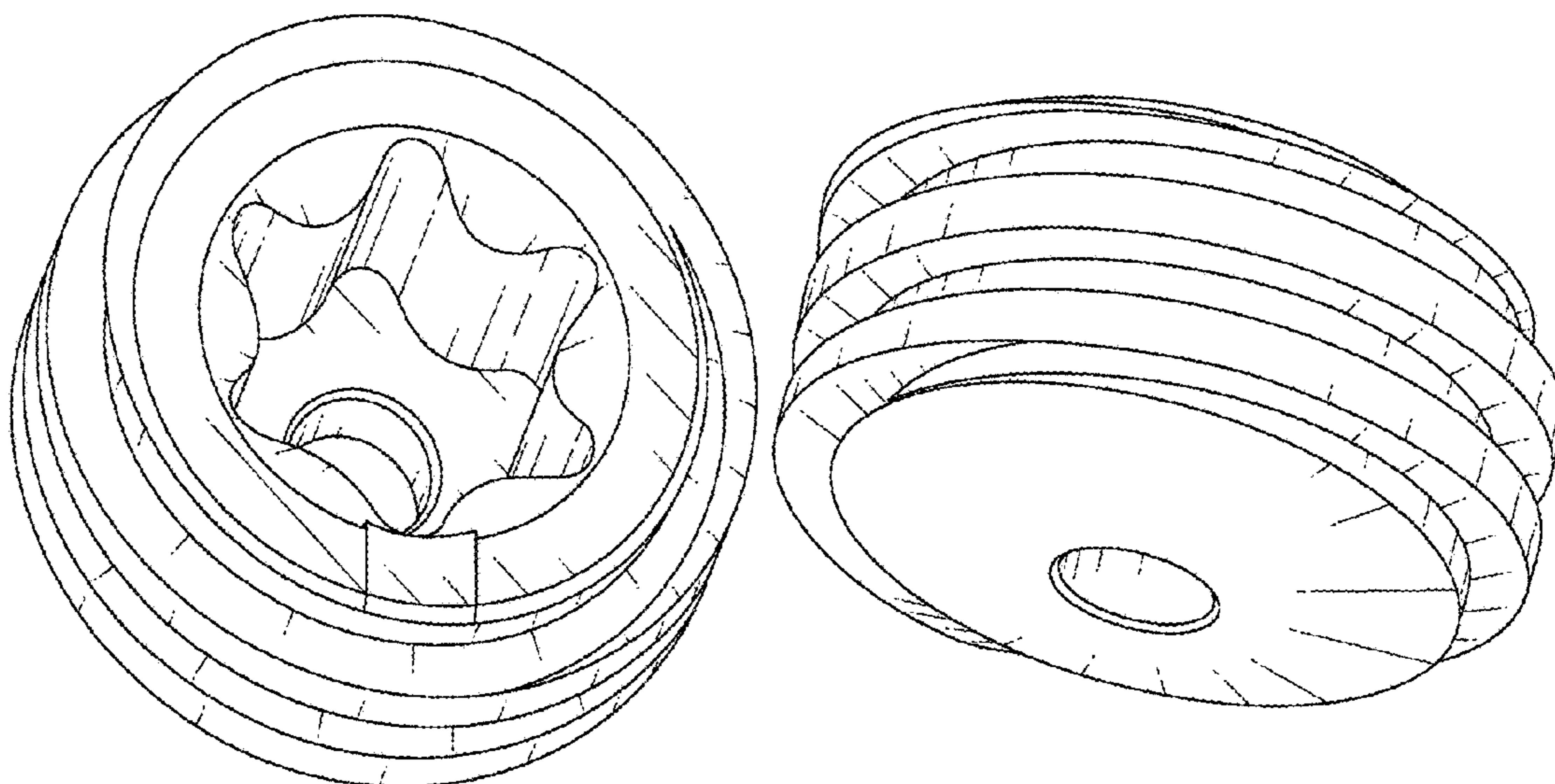
(57) **CLAIM**

I claim the ornamental design for a straight conical set screw, as shown and described.

DESCRIPTION

FIG. 1 is a top side perspective view of straight conical set screw;
FIG. 2 is a bottom side perspective view thereof;
FIG. 3 is a first side view thereof;
FIG. 4 is a second side view thereof;
FIG. 5 is a cross-sectional view thereof; and,
FIG. 6 is a top view thereof.

1 Claim, 6 Drawing Sheets



(56)

References Cited

U.S. PATENT DOCUMENTS

2016/0287293 A1* 10/2016 Karas A61B 17/8625
2019/0083150 A1* 3/2019 Bazille A61B 17/7001
2020/0069341 A1* 3/2020 Abbasi A61B 17/7037

* cited by examiner

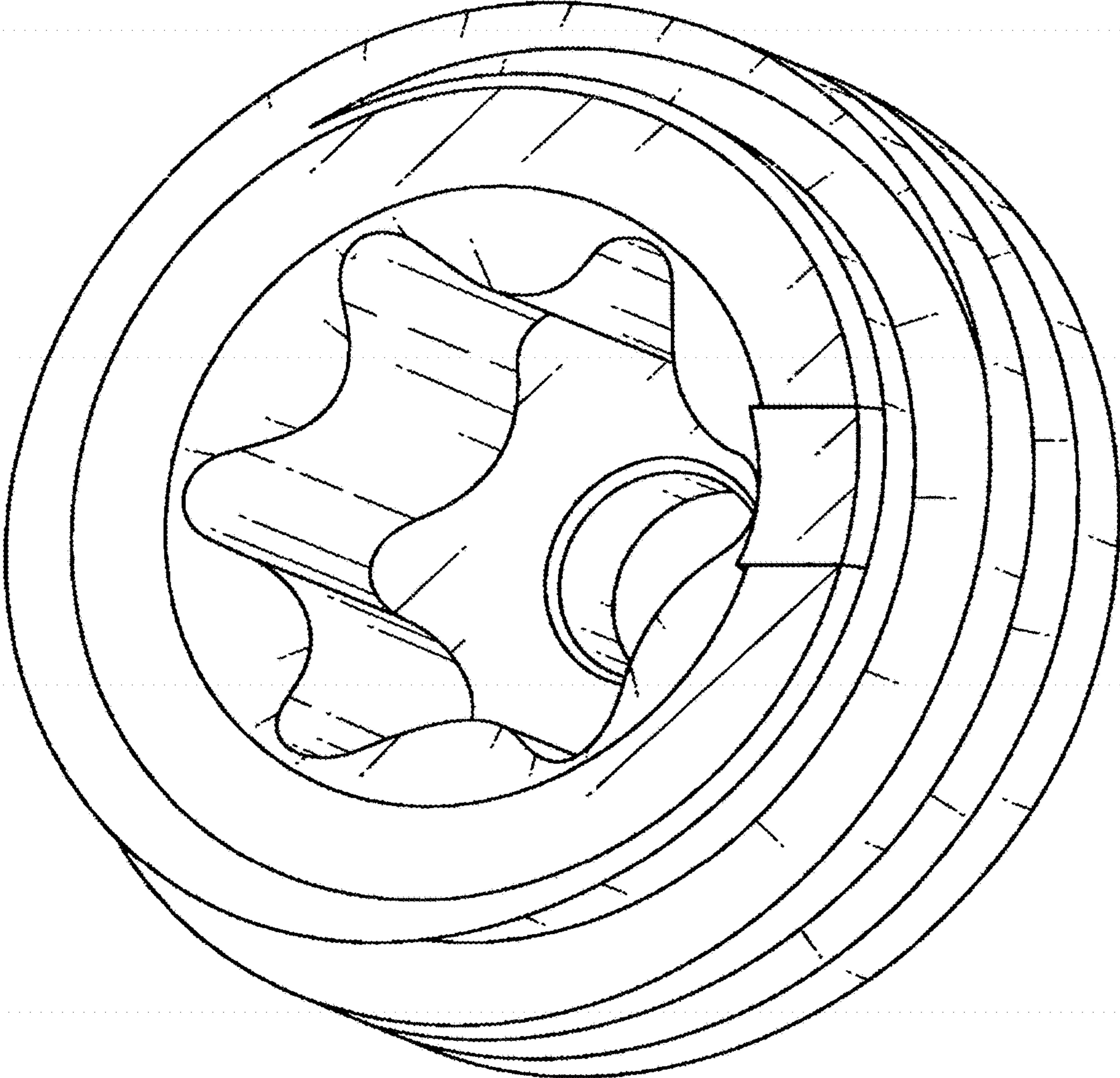


FIG. 1

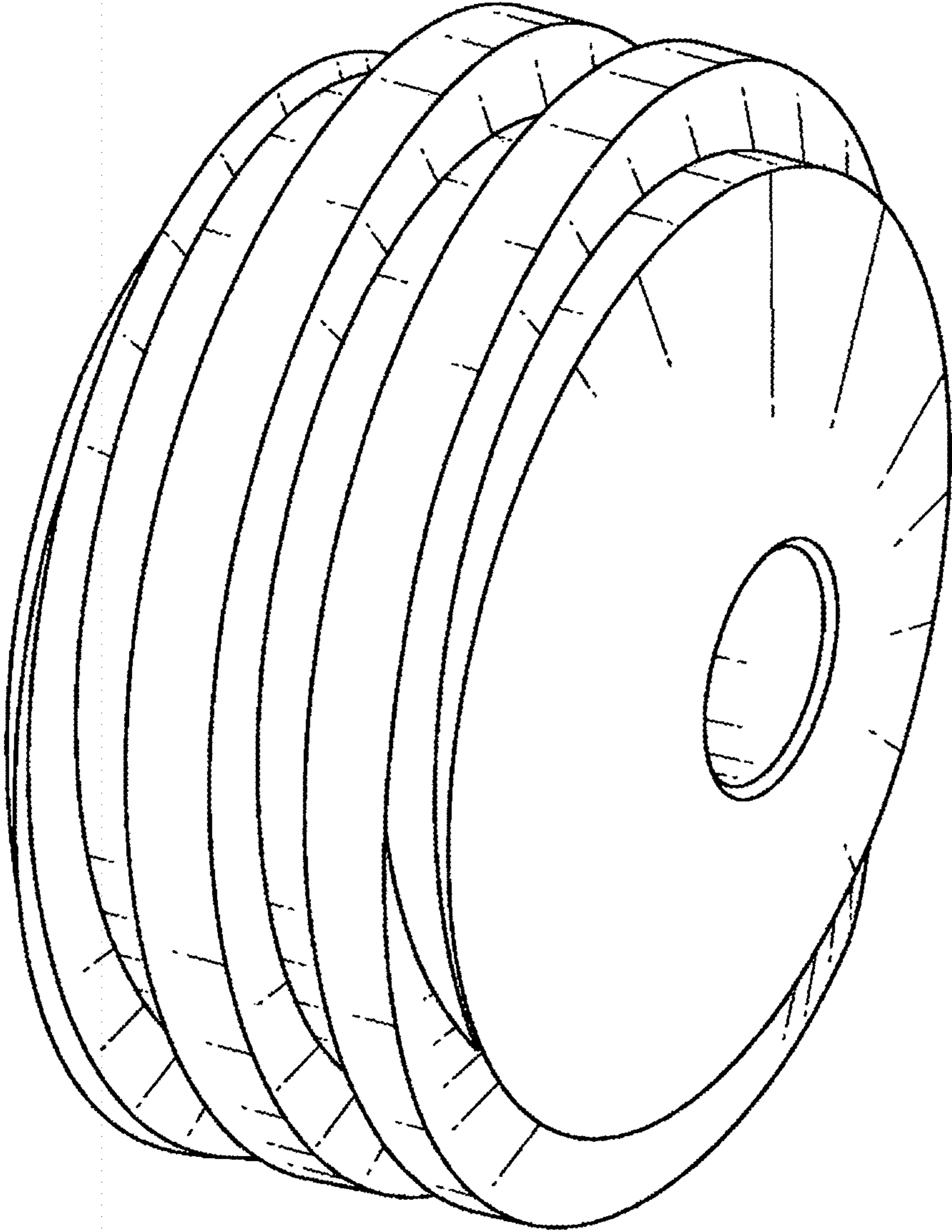


FIG. 2

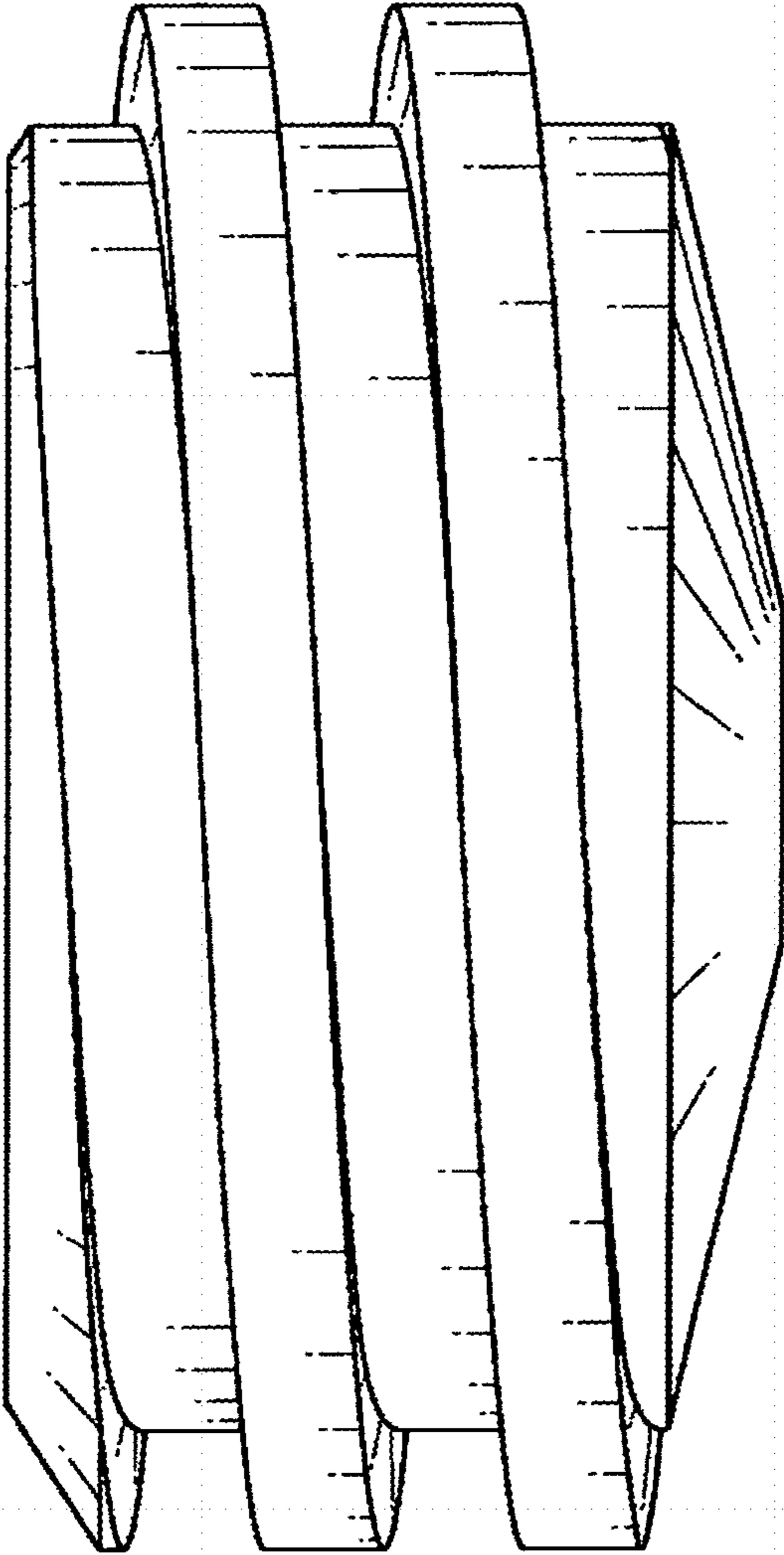


FIG. 3

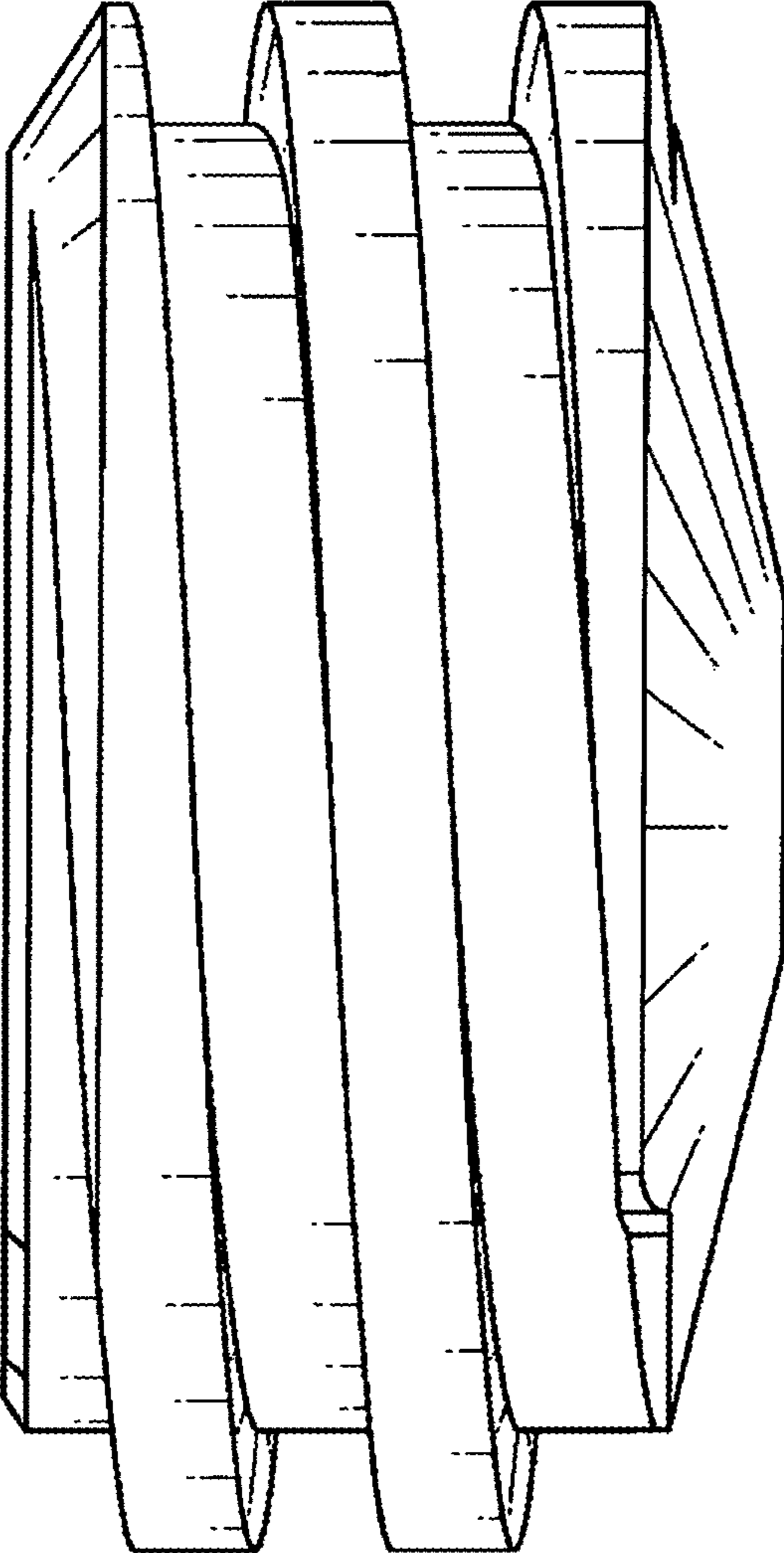


FIG. 4

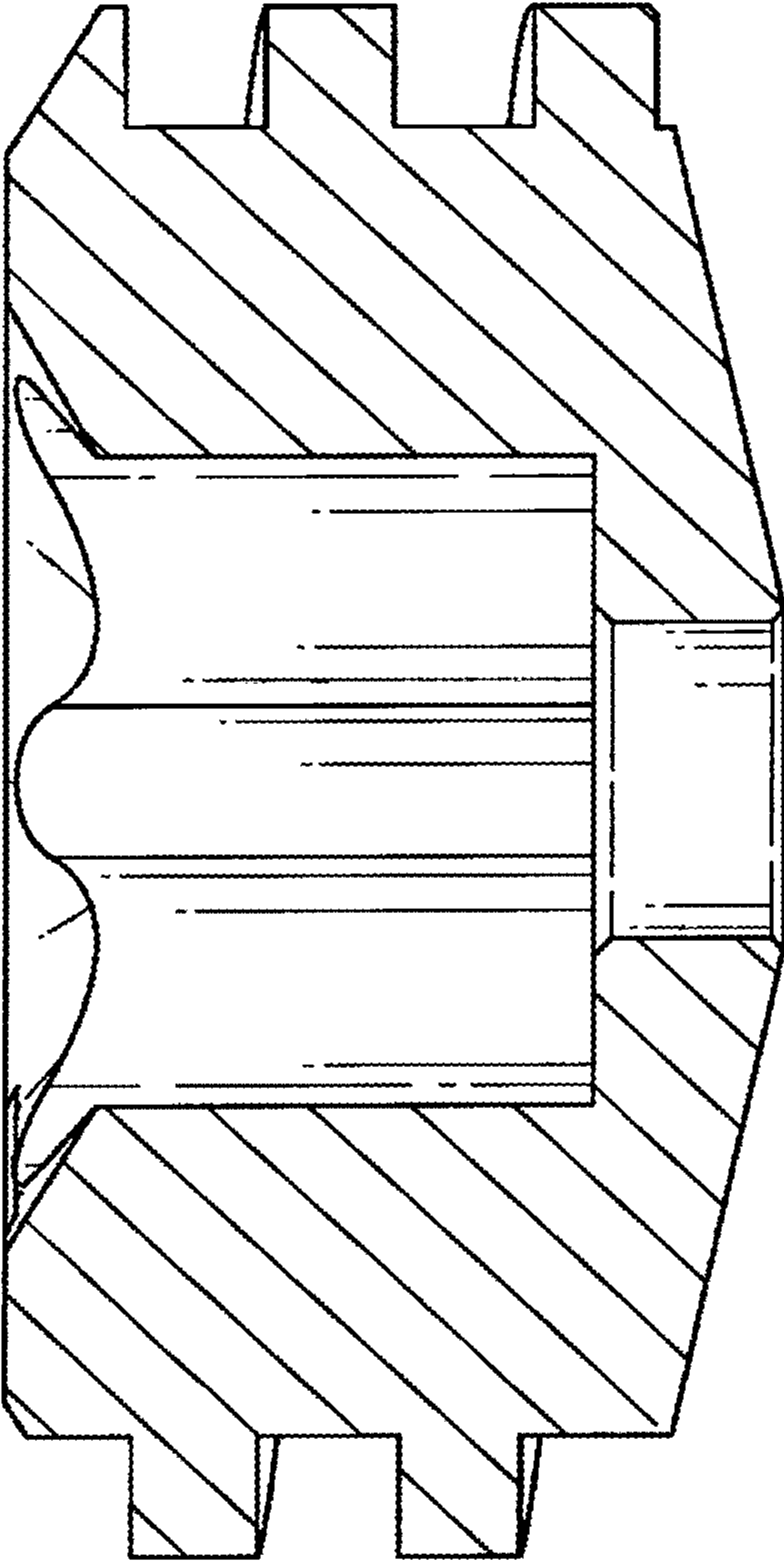


FIG. 5

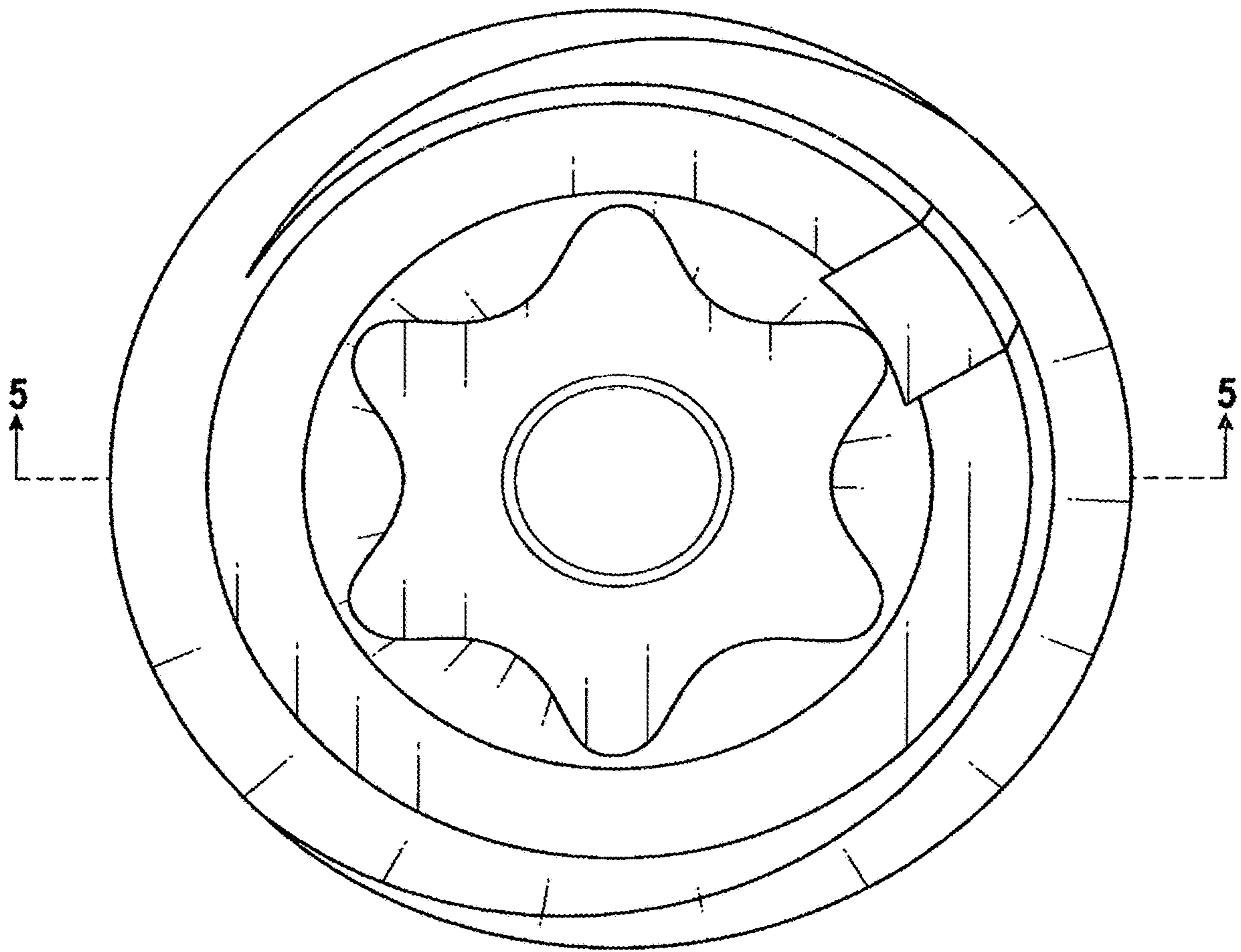


FIG. 6