



US00D929212S

(12) **United States Design Patent** (10) **Patent No.:** **US D929,212 S**
Guindi (45) **Date of Patent:** **** Aug. 31, 2021**

(54) **BED RISER**
(71) Applicant: **Henry Guindi**, Old Bridge, NJ (US)
(72) Inventor: **Henry Guindi**, Old Bridge, NJ (US)
(**) Term: **15 Years**
(21) Appl. No.: **29/683,635**
(22) Filed: **Mar. 14, 2019**
(51) **LOC (13) Cl.** **08-05**
(52) **U.S. Cl.**
USPC **D8/374**
(58) **Field of Classification Search**
USPC D8/316, 358, 359, 363, 366, 370, 371,
D8/372, 373, 382, 374, 375, 376, 377;
D7/600.4
CPC A47G 7/047; A47G 7/045; A47G 7/042;
A47G 7/044; A01G 9/024; A01G 25/14;
A01G 27/001; A01G 9/042; A01G
27/005; A01G 31/001; A01G 9/02; A01G
9/083; A01G 9/12; B60G 2400/05146;
B62B 1/10; B62B 1/264; B62B 1/14;
B25G 1/08; B25G 1/10; B65H 75/40;
B65H 75/4407; B65H 75/4471; B65H
2701/34; B65H 2701/32; B65H 2511/142;
B65H 29/008; B65H 75/22; B65D 85/66;
B65D 85/67; E06B 11/00; E06B 11/021;
E06B 11/022; E06B 11/023; E04F
11/1804; E04F 11/1808; E04F 11/1812;
G12B 3/00; G12B 3/06; F02D 9/04;
F02D 9/101; F02D 9/10; A47F 7/14;
A47F 7/16; A47F 7/143; A47F 5/08;
A47F 5/0807; A47F 5/0815; A47F
5/0838; A47F 5/0846; A47F 5/0853;
A47F 5/105
See application file for complete search history.

(56) **References Cited**
U.S. PATENT DOCUMENTS
1,912,728 A * 6/1933 Roe A47B 91/12
248/346.11
D336,843 S * 6/1993 Hurst D8/374

D404,992 S * 2/1999 Sittig D8/374
6,012,185 A * 1/2000 Woods A47C 19/024
248/188.2
D440,483 S * 4/2001 Bushey D8/374
6,219,981 B1 * 4/2001 Bergelt E02D 27/01
248/352
D493,095 S * 7/2004 Sittig D8/374
D653,088 S * 1/2012 Hansen D7/624.1
9,033,293 B1 * 5/2015 Glenn A47B 91/005
248/188.2

(Continued)

OTHER PUBLICATIONS

Simplify Bed Risers/Bed Lifters Wheel—Bedding Accessories for All Types of Furniture, customer review with photos posted Feb. 14, 2018, [retrieved Oct. 10, 2020]. Retrieved from Internet, <URL: <https://www.amazon.com/Simplify-Risers-Caster-Stabilizer-Perfect/dp/B079DBZ9ZV> > (Year: 2016).*

(Continued)

Primary Examiner — George D. Kirschbaum
Assistant Examiner — Joseph J Kukella
(74) *Attorney, Agent, or Firm* — Ezra Sutton

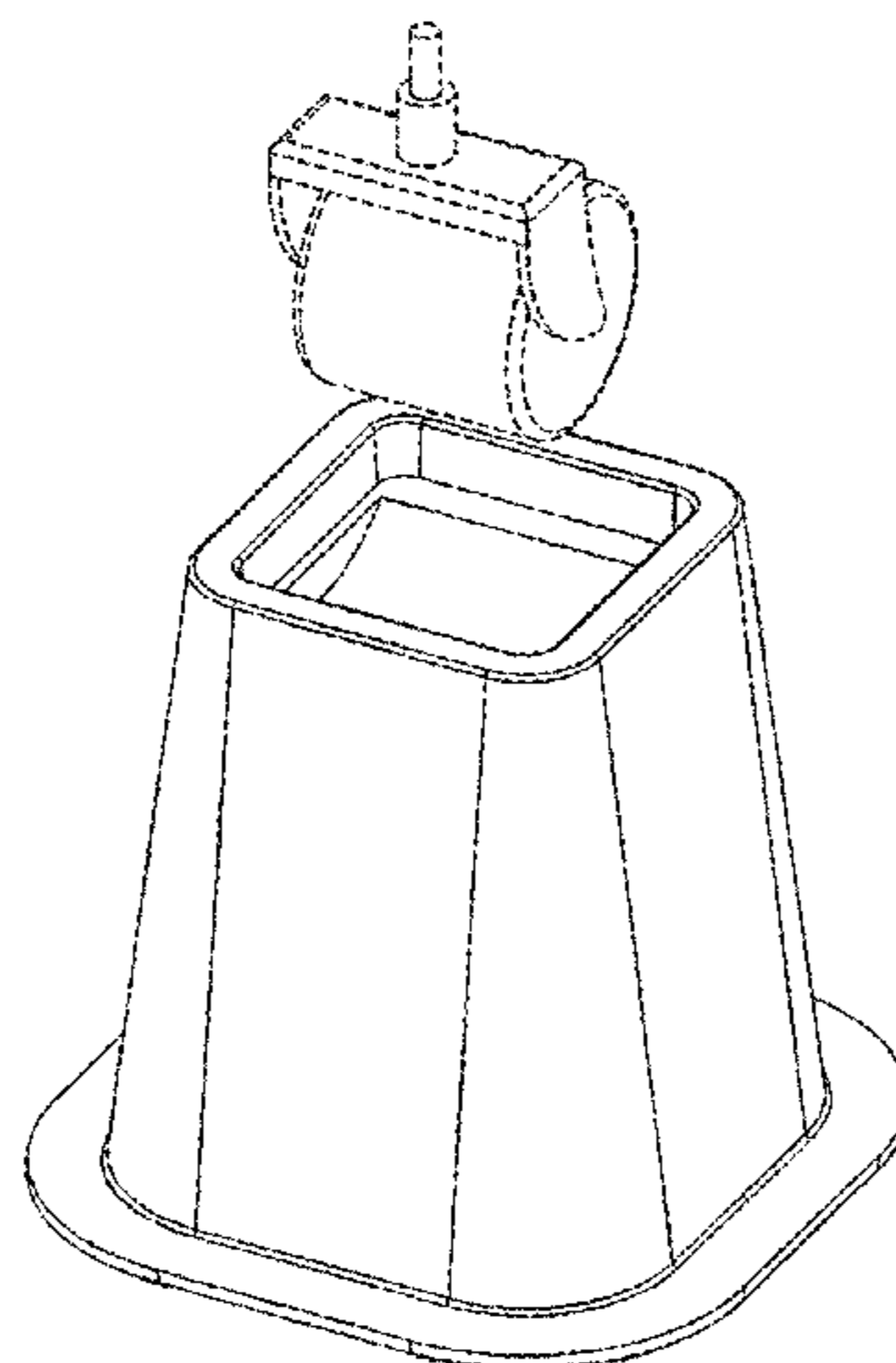
(57) **CLAIM**

The ornamental design for a bed riser, as shown and described.

DESCRIPTION

FIG. 1 is a perspective view of a bed riser;
FIG. 2 is a second perspective view thereof;
FIG. 3 is a third perspective view thereof;
FIG. 4 is a top view thereof;
FIG. 5 is a bottom view thereof; and,
FIG. 6 is a left side view thereof, the right side view being the same.
In the drawings the broken lines depict portions of the bed riser that form no part of the claimed design.

1 Claim, 6 Drawing Sheets



(56)

References Cited

U.S. PATENT DOCUMENTS

D734,135 S * 7/2015 Merey D8/374
D736,607 S * 8/2015 Sheldon D8/374
D784,120 S * 4/2017 Abdi D8/374
D896,622 S * 9/2020 Wendling D8/374

OTHER PUBLICATIONS

Kings Brand Furniture - Heavy Duty 6-inch Bed Risers, Furniture Riser, posted as early as Nov. 3, 2018, [retrieved Oct. 10, 2020]. Retrieved from Internet, <URL: <https://www.amazon.com/Kings-Brand-6-inch-Furniture-Storage/dp/B0773TZK7X> > (Year: 2018).*

* cited by examiner

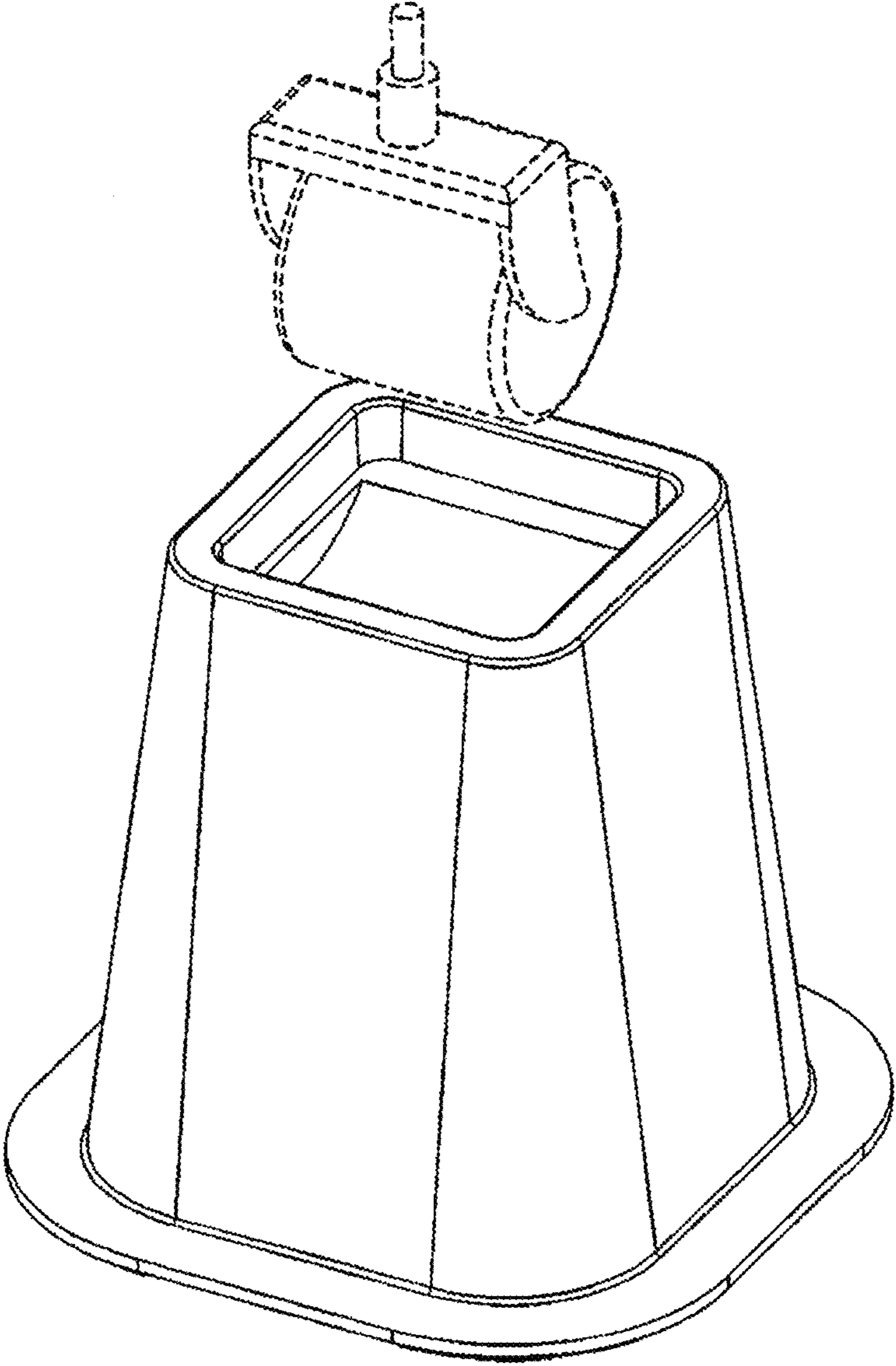


FIG. 1

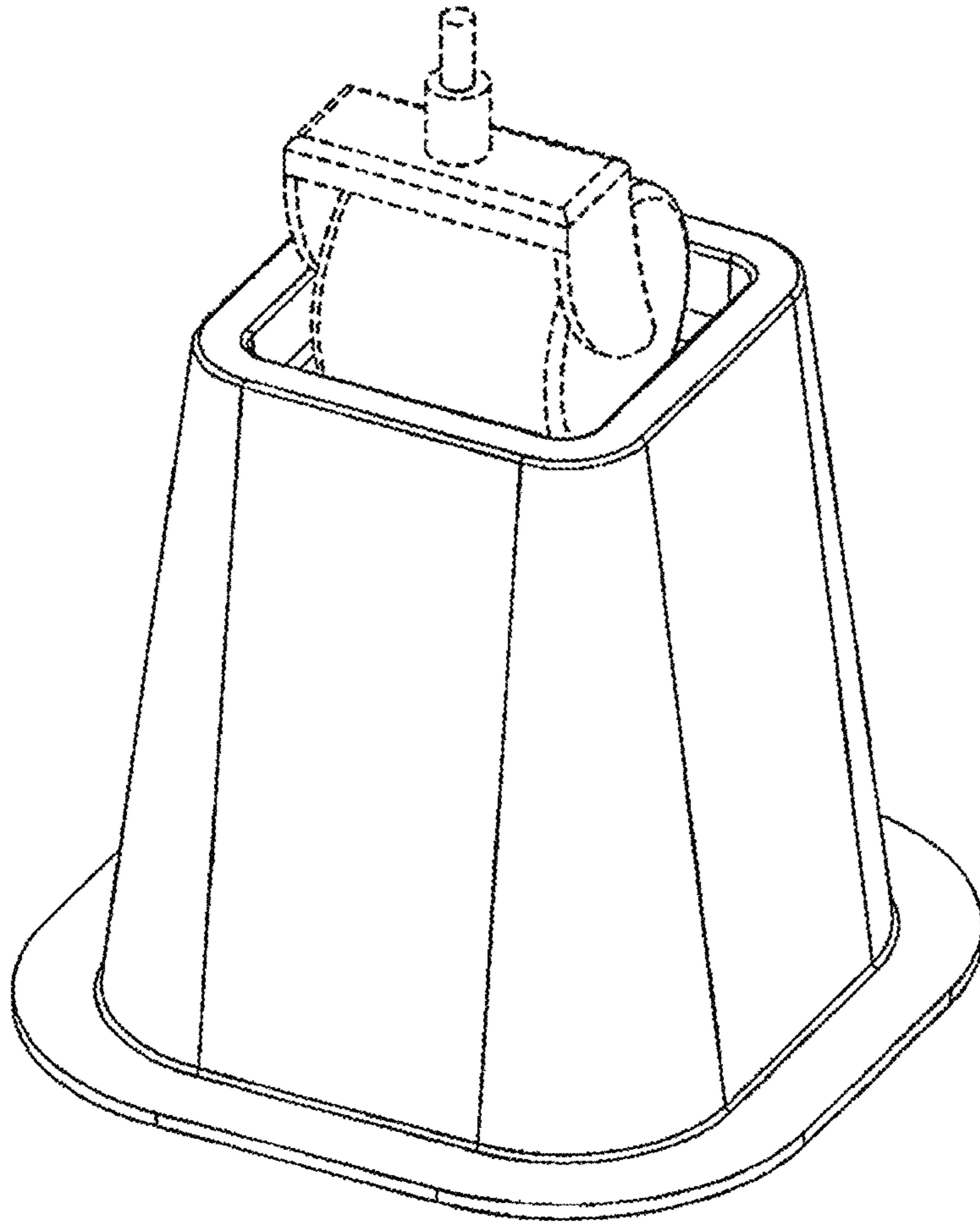


FIG. 2

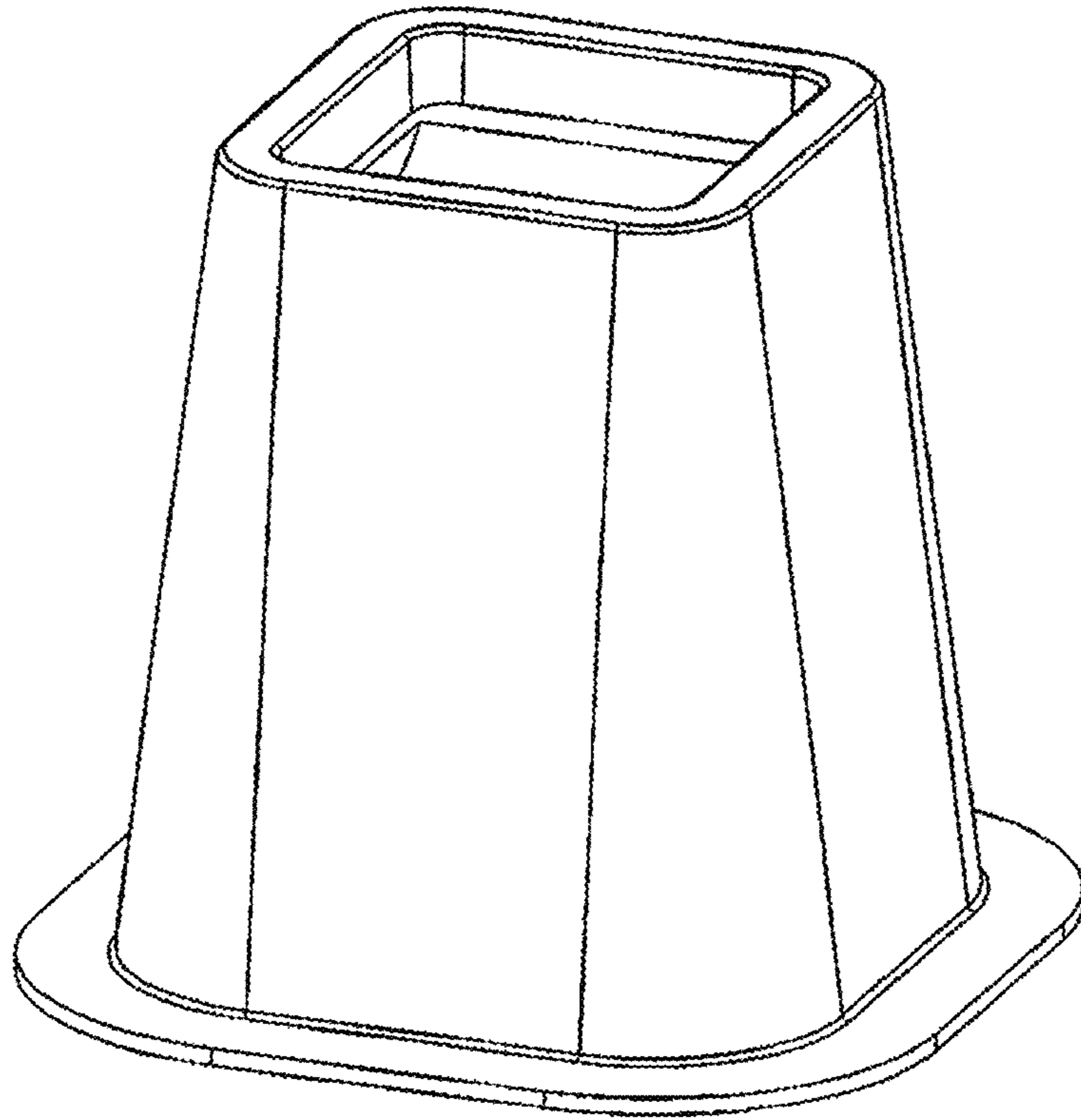


FIG. 3

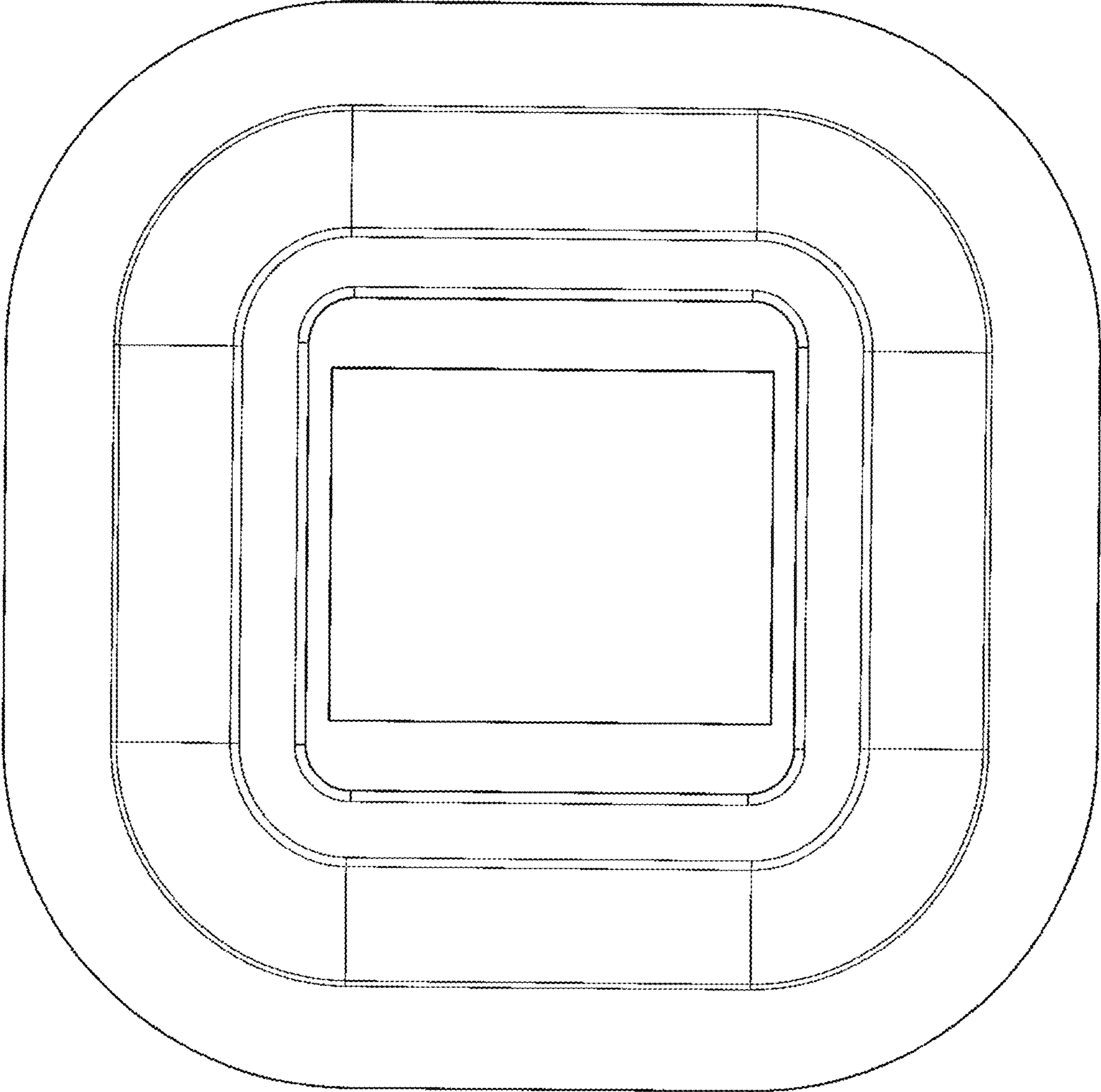


FIG. 4

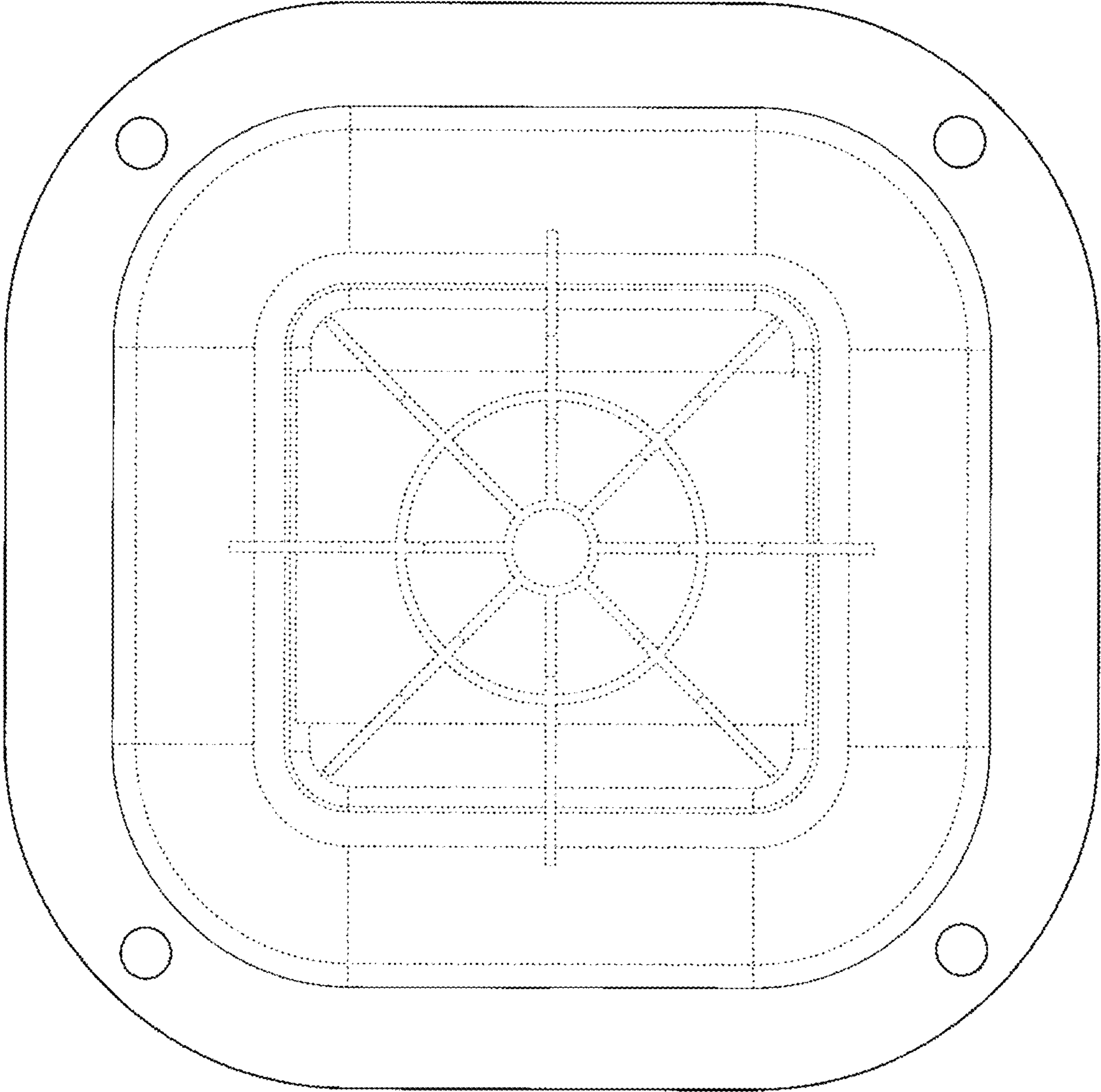


FIG. 5

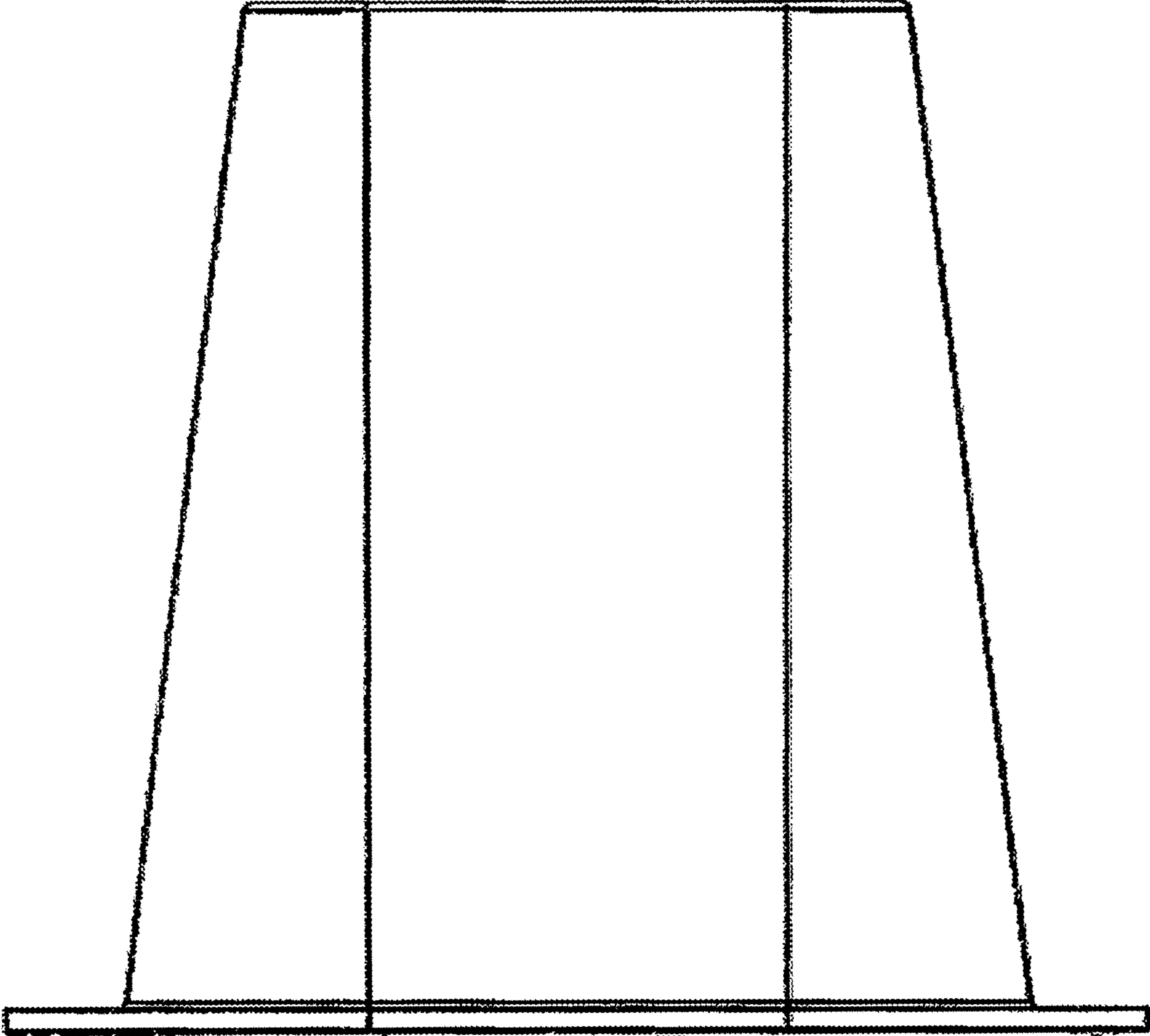


FIG. 6