



US00D929211S

(12) **United States Design Patent** (10) **Patent No.:** **US D929,211 S**
Jackson et al. (45) **Date of Patent:** **** Aug. 31, 2021**

(54) **SWIMMING POOL FORM SYSTEM MOUNTING BRACKET**

(71) Applicant: **JACKSON POOLS, INC.**, Fort Myers, FL (US)

(72) Inventors: **Chad Jackson**, Fort Myers, FL (US); **Richard Cox**, Fort Myers, FL (US)

(73) Assignee: **JACKSON POOLS, INC.**, Fort Myers, FL (US)

(**) Term: **15 Years**

(21) Appl. No.: **29/683,421**

(22) Filed: **Mar. 13, 2019**

(51) **LOC (13) Cl.** **08-05**

(52) **U.S. Cl.**
USPC **D8/373**

(58) **Field of Classification Search**
USPC D8/373, 380-381, 385, 354, 71, 356, D8/363, 367, 372, 379, 382; D11/79, 93, D11/208, 218; D6/315, 323; D12/162
CPC . A47F 5/00; A47G 1/1633; A47G 1/20; F16L 3/1025; F16L 3/1083; F16L 3/1091; F16L 3/11; F16M 13/022; F16M 13/027
See application file for complete search history.

(56) **References Cited**

U.S. PATENT DOCUMENTS

D260,964 S *	9/1981	Gilb	D8/373
D264,935 S *	6/1982	Ziaylek, Jr.	D8/373
D266,461 S *	10/1982	Helzer	D6/310
D275,264 S *	8/1984	Wegener, II	248/300
D311,364 S *	10/1990	Wood	D12/133
D337,042 S *	7/1993	Lin	D8/349
D342,015 S *	12/1993	Andrejew	D6/553
D429,922 S *	8/2000	Walker	D21/658
D459,204 S *	6/2002	Worrall	D8/380
D469,342 S *	1/2003	Metzentine	D8/373
D490,678 S *	6/2004	Dion	D8/381

D496,580 S *	9/2004	Moen	D8/373
D498,136 S *	11/2004	Parker	D8/323
D520,349 S *	5/2006	Boroviak	D8/381
D790,324 S *	6/2017	Ajello	D8/354
D795,756 S *	8/2017	McCuskey	D12/162
D850,245 S *	6/2019	Bright	D8/380
D874,909 S *	2/2020	Marini	D8/381

(Continued)

OTHER PUBLICATIONS

Hafele Hebgo Folding Bench Bracket, Date Visited: Jun. 29, 2021, Lock & Hinge, Date Available: Jun. 29, 2021, <https://www.lockandhinge.com/hafele-hebgo-folding-bench-bracket-287-47-917/> (Year: 2021).*

(Continued)

Primary Examiner — Susan Bennett Hattan

Assistant Examiner — Elizabeth S Ko

(74) *Attorney, Agent, or Firm* — Allen Dyer Doppelt + Gilchrist, PA

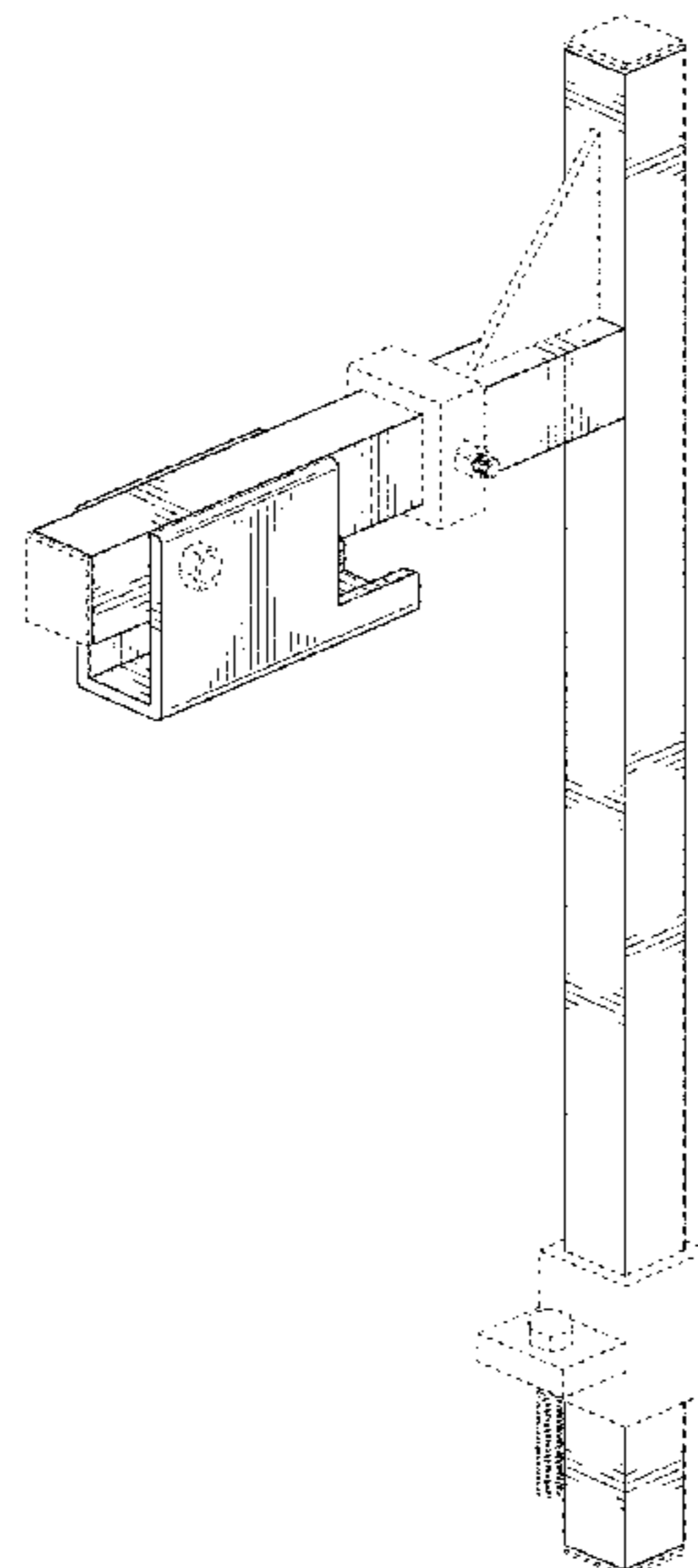
(57) **CLAIM**

The ornamental design for a swimming pool form system mounting bracket, as shown and described.

DESCRIPTION

FIG. 1 is a side perspective view of a swimming pool form system mounting bracket;
FIG. 2 is a side view of the swimming pool form system mounting bracket;
FIG. 3 is another side view of the swimming pool form system mounting bracket;
FIG. 4 is a top view of the swimming pool form system mounting bracket; and,
FIG. 5 is a bottom view of the swimming pool form system mounting bracket.
The broken lines shown illustrate environmental structure and form no part of the claimed design.

1 Claim, 4 Drawing Sheets



(56)

References Cited

U.S. PATENT DOCUMENTS

D891,912 S * 8/2020 Underwood D8/380
D902,019 S * 11/2020 Ryan D8/381
D910,423 S * 2/2021 Pigg D8/354
D921,640 S * 6/2021 Cheng D14/447
D922,914 S * 6/2021 Works D12/162

OTHER PUBLICATIONS

Wall-Mounted Heavy Duty Stainless Steel, Date Visited: Jun. 29, 2021, Amazon, Date Available: Oct. 29, 2019, <https://www.amazon.com/Stainless-Folding-Bracket-Wall-Mounted-Release/dp/B07P1QFBL3> (Year: 2019).*

Cantaragfencing, Date Visited: Jun. 29, 2021, Best Buy Pool Supply, Date Available: Oct. 29, 2019, <https://www.bestbuypoolsupply.com/media/cantaragfencing.jpg> (Year: 2021).*

Above Ground Swimming Pool Ladder, Date Visited: Jun. 29, 2021, Xtreme Power US, Date Available: Jul. 21, 2020, <https://xtremepowerusa.com/products/above-ground-swimming-pool-ladder-heavy-duty-step-system-entry-non-slippery> (Year: 2020).*

* cited by examiner

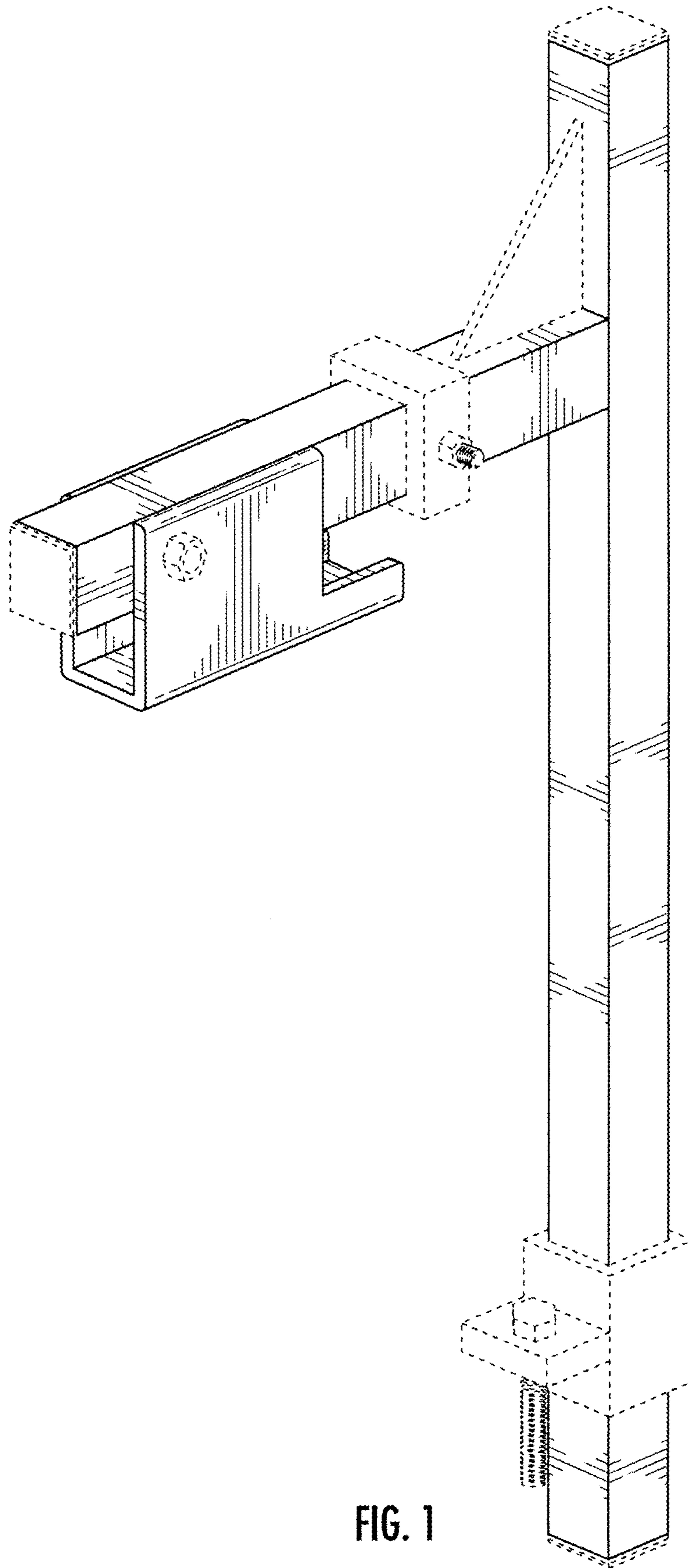


FIG. 1

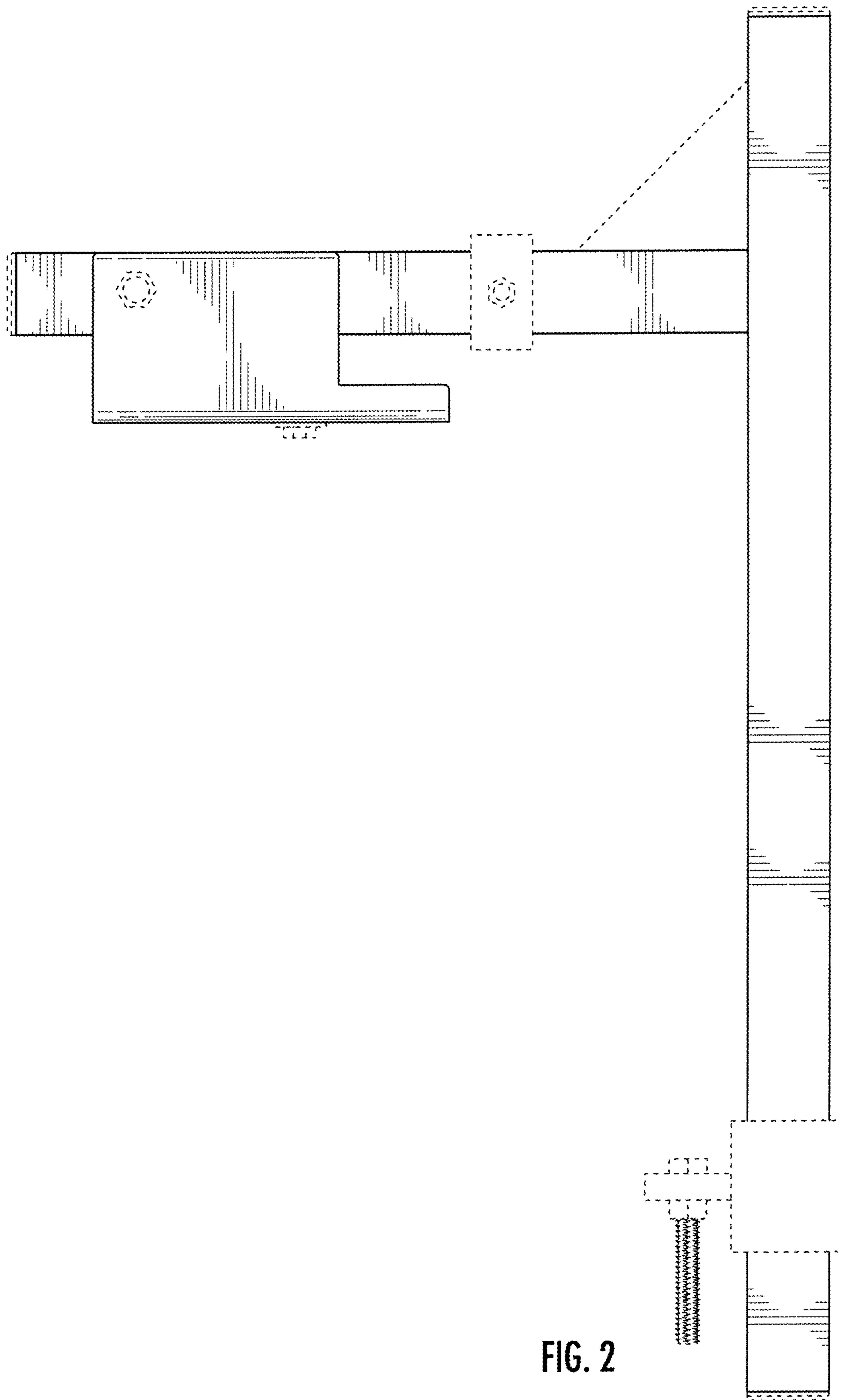


FIG. 2

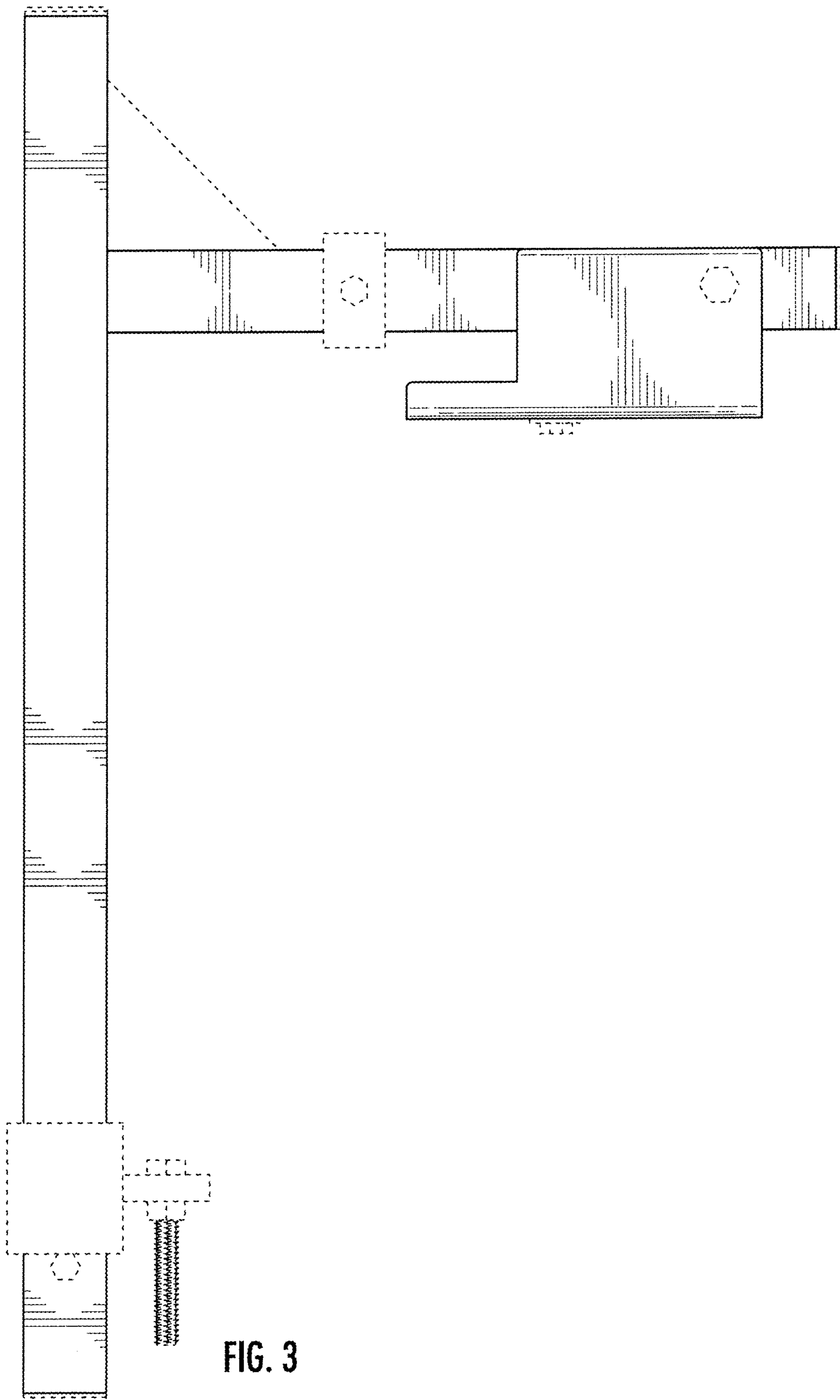


FIG. 3

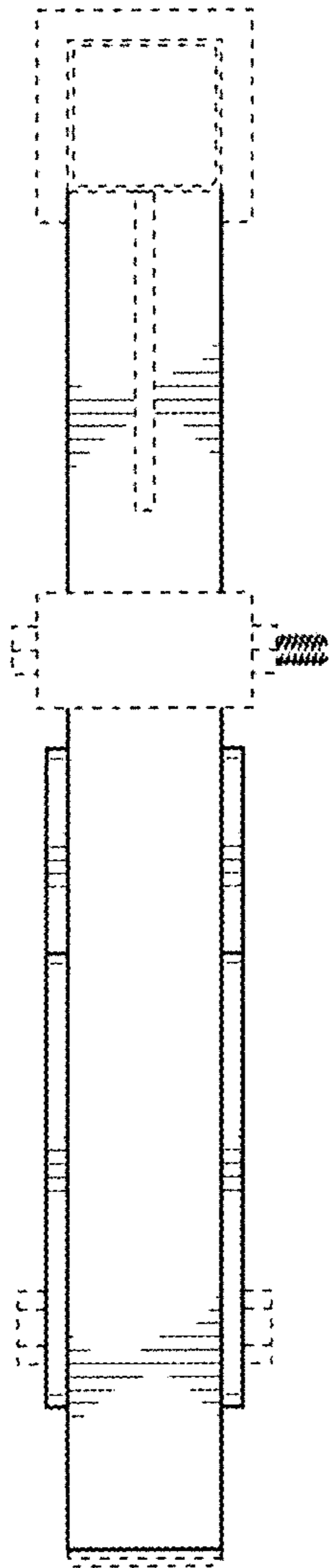


FIG. 4

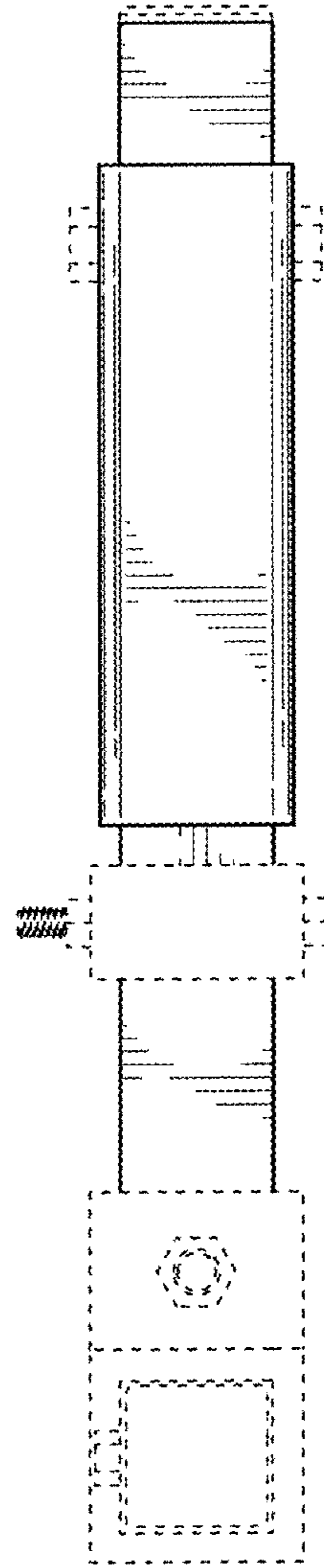


FIG. 5