



(12) **United States Design Patent**
Pan et al.

(10) **Patent No.:** **US D929,210 S**
(45) **Date of Patent:** **** Aug. 31, 2021**

(54) **CONNECTING FRAME**

(71) Applicant: **JING KAI INDUSTRIAL CO., LTD.**,
Kaohsiung (TW)

(72) Inventors: **Wen-Pin Pan**, New Taipei (TW);
Shu-Wen Yen, New Taipei (TW)

(73) Assignee: **JING KAI INDUSTRIAL CO., LTD.**,
Kaohsiung (TW)

(**) Term: **15 Years**

(21) Appl. No.: **29/733,740**

(22) Filed: **May 6, 2020**

(30) **Foreign Application Priority Data**

Jan. 8, 2020 (TW) 109300101

(51) **LOC (13) Cl.** **08-05**

(52) **U.S. Cl.**
USPC **D8/354**

(58) **Field of Classification Search**
USPC D8/71, 349, 354, 373, 380, 382, 384,
D8/385, 499; D6/709, 708.16, 712;
D25/68, 69, 133, 199
CPC E04B 1/7637; E04B 1/4114; E04B 1/043;
E02D 5/523
See application file for complete search history.

(56) **References Cited**

U.S. PATENT DOCUMENTS

D425,402 S * 5/2000 Welborn D8/354
D520,649 S * 5/2006 Hansort D8/354
D521,159 S * 5/2006 Hansort D8/354
8,544,229 B2 * 10/2013 Kilgore E04F 15/02044
52/489.2
D811,853 S * 3/2018 Foley D8/354
D839,083 S * 1/2019 Silva D8/354

D887,257 S * 6/2020 Becker D8/380
2010/0077686 A1 * 4/2010 Bowen G09F 1/12
52/506.06
2014/0318072 A1 * 10/2014 Lee E04B 1/4107
52/699

FOREIGN PATENT DOCUMENTS

TW D102643 1/2005
TW D139030 S1 2/2011
TW D198049 S 6/2019

OTHER PUBLICATIONS

Search Report appended to an Office Action, which was issued to Taiwanese counterpart application No. 109300101 by the TIPO dated Jun. 17, 2020, with an English translation thereof.

* cited by examiner

Primary Examiner — Keli L Hill

Assistant Examiner — Harold E Blackwell, II

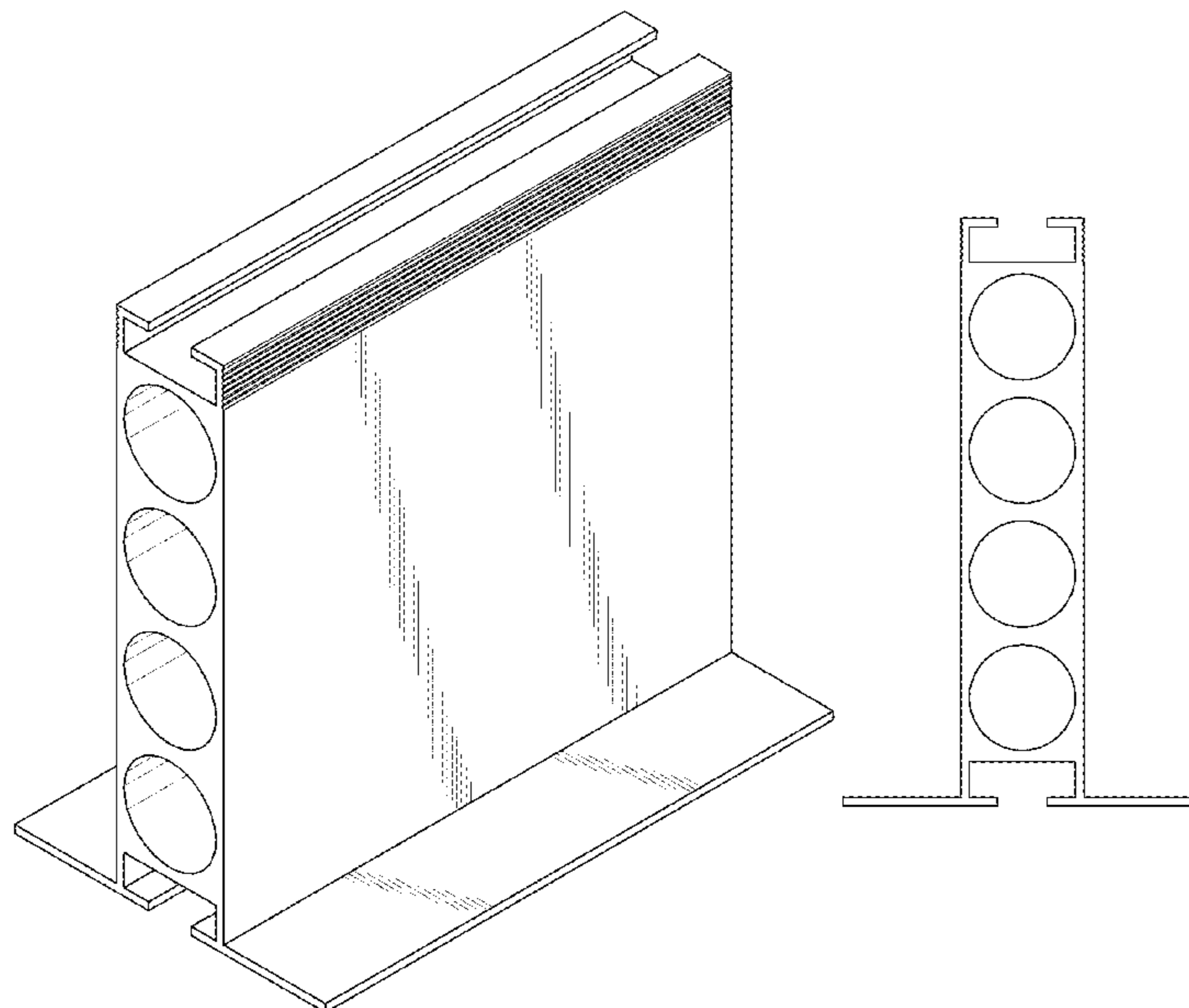
(57) **CLAIM**

The ornamental design for a connecting frame, as shown and described.

DESCRIPTION

FIG. 1 is a perspective view of a connecting frame showing our new design;
FIG. 2 is a front elevational view thereof;
FIG. 3 is a rear elevational view thereof;
FIG. 4 is a left side elevational view thereof;
FIG. 5 is a right side elevational view thereof;
FIG. 6 is a top plan view thereof; and,
FIG. 7 is a bottom plan view thereof.

1 Claim, 7 Drawing Sheets



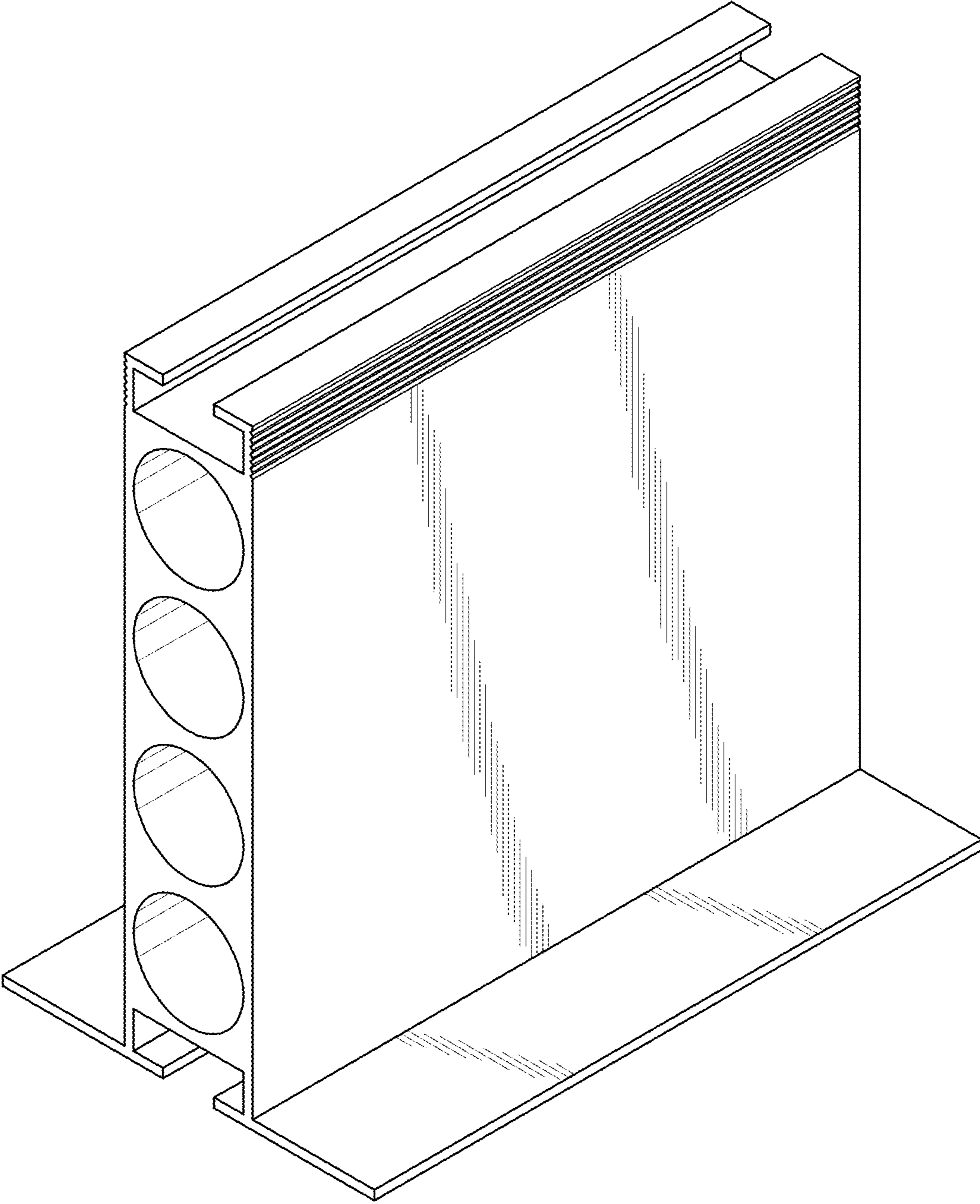


FIG.1

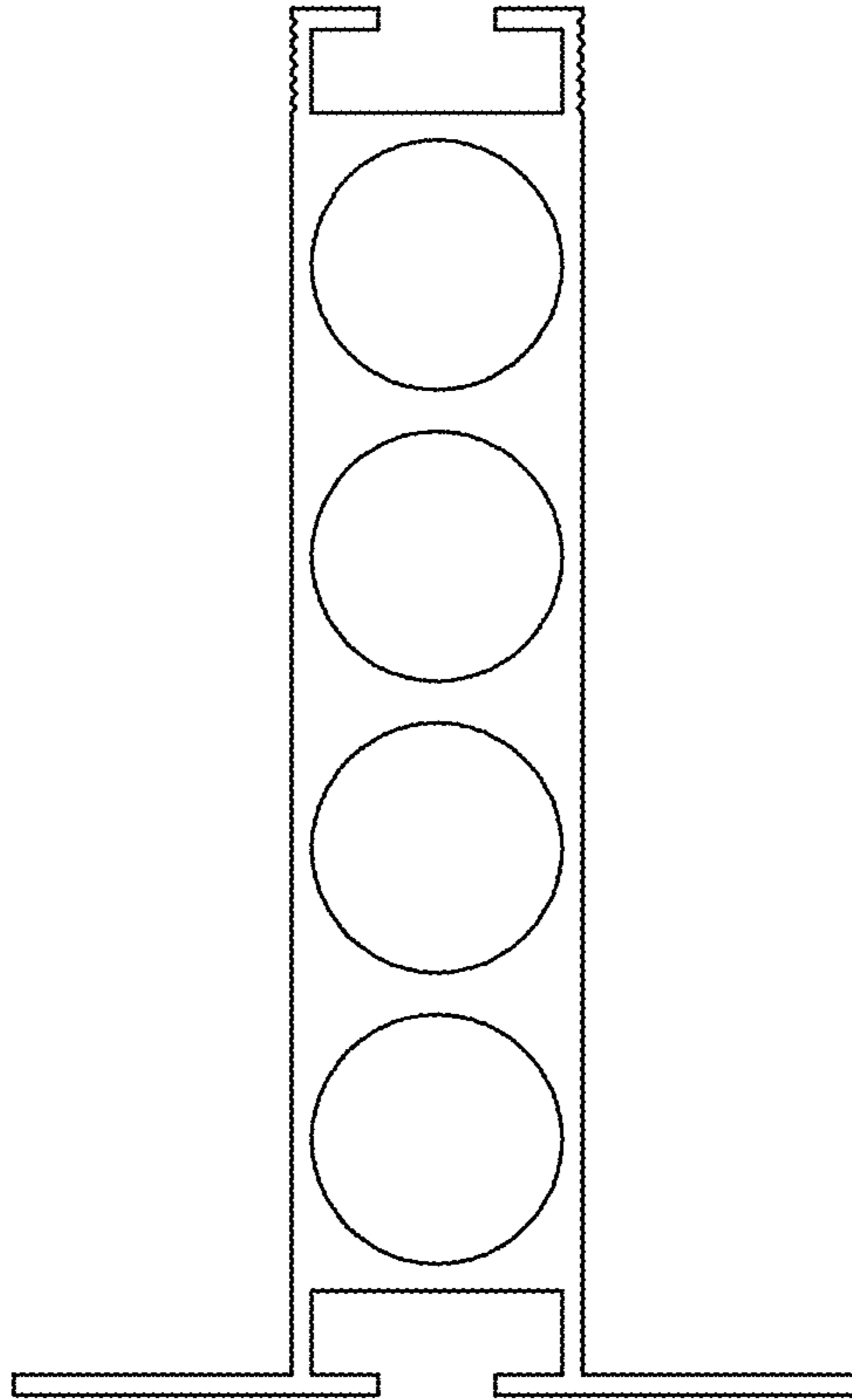


FIG.2

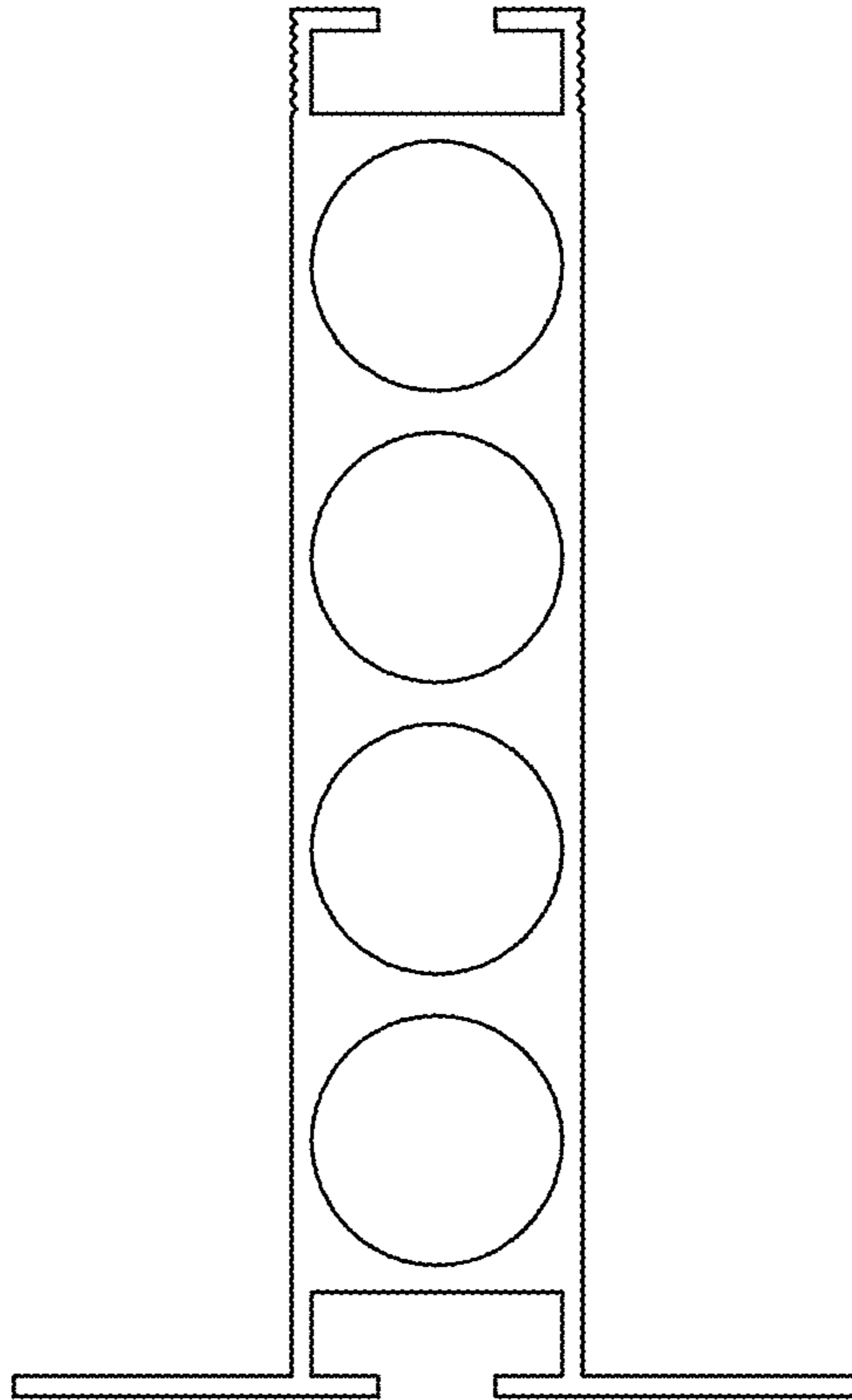


FIG.3

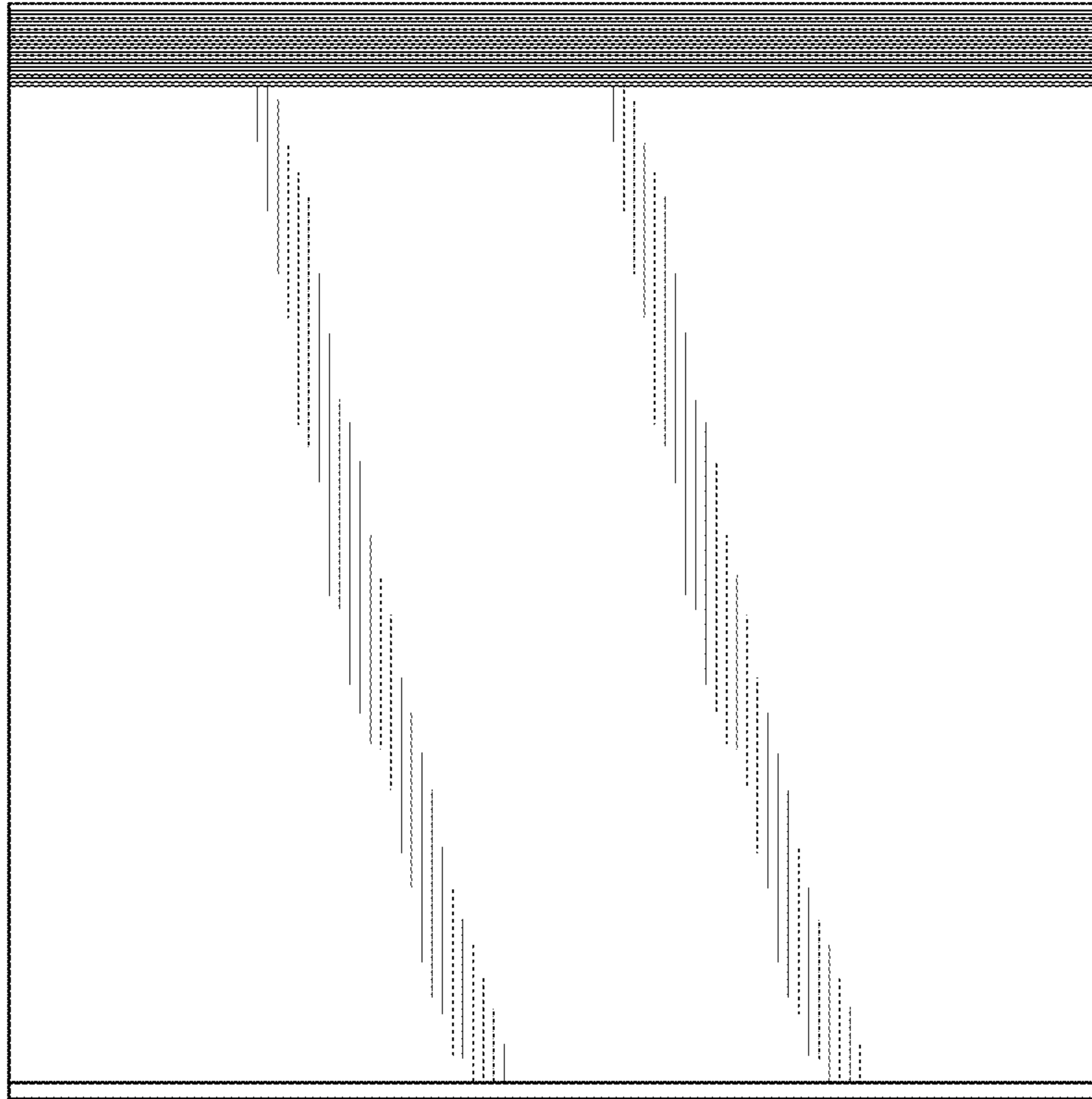


FIG.4

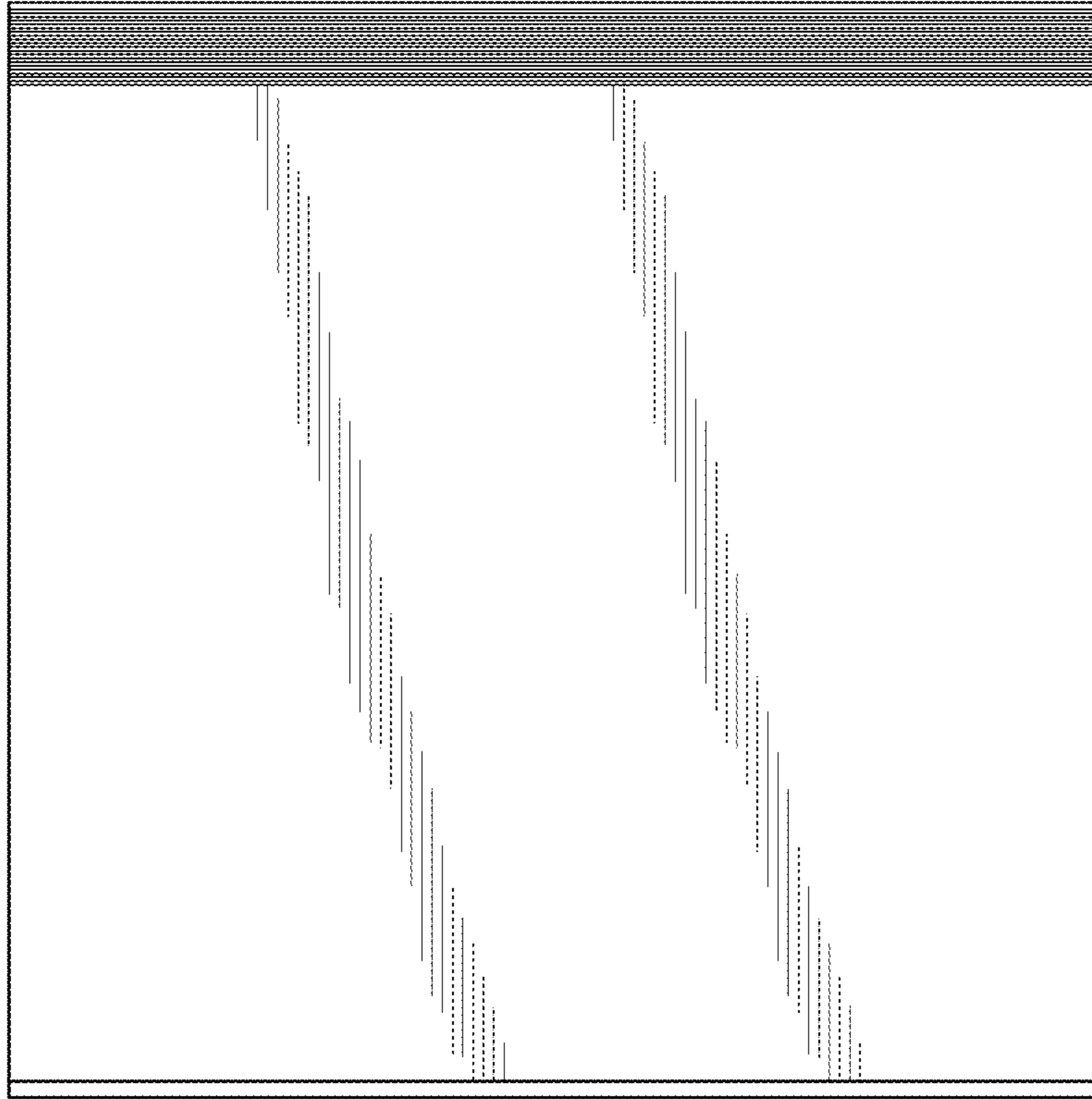


FIG.5

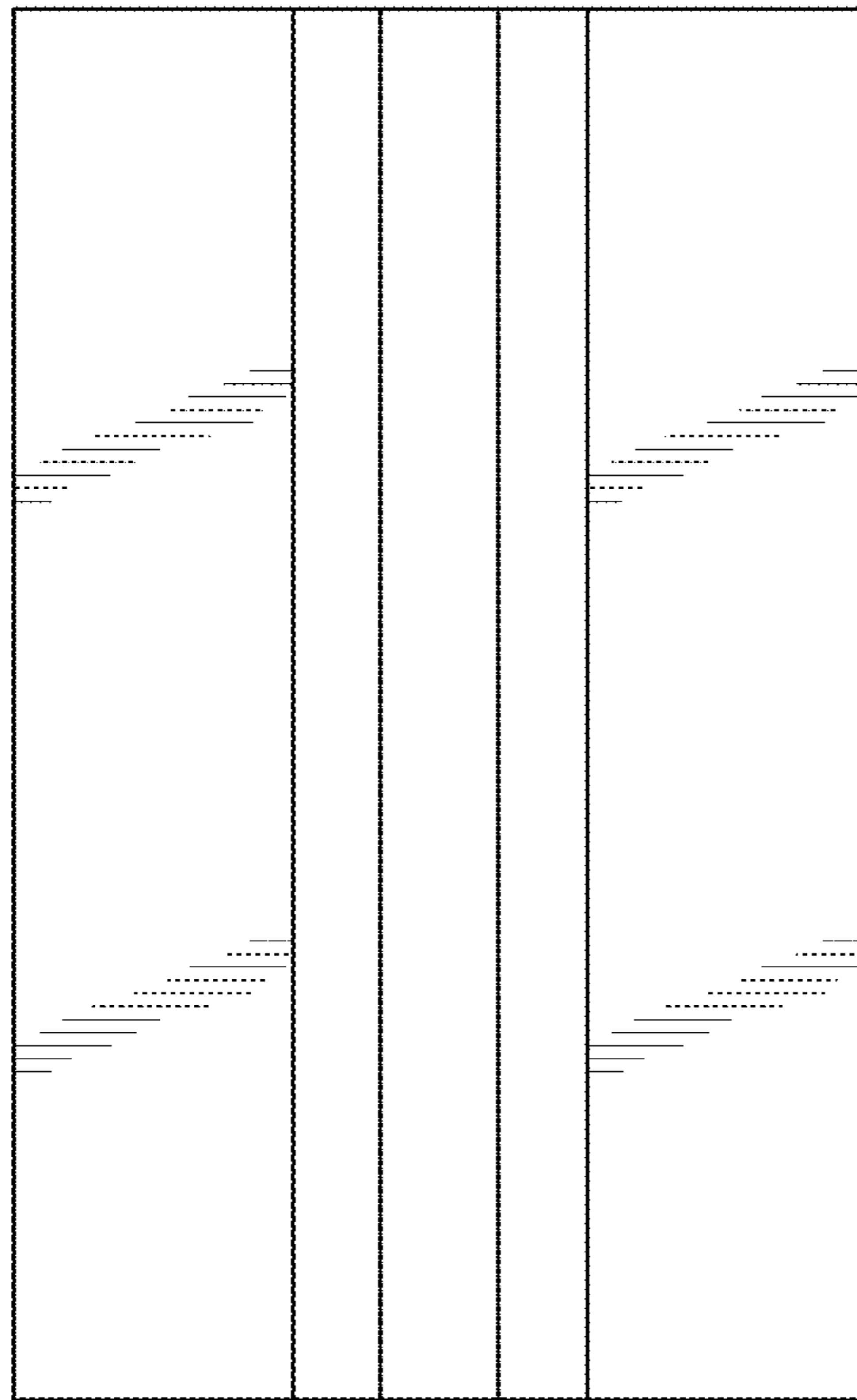


FIG.6



FIG.7