



US00D929205S

(12) **United States Design Patent** (10) **Patent No.:** **US D929,205 S**
Lessard (45) **Date of Patent:** **** Aug. 31, 2021**

(54) **GRAB HANDLE**

(56) **References Cited**

(71) Applicant: **Bombardier Transportation GmbH**,
Berlin (DE)

U.S. PATENT DOCUMENTS

(72) Inventor: **Martin Lessard**, St-Basile-le-Grand
(CA)

2,500,415	A	*	3/1950	Johnson	B60N 3/023
						105/354
D218,550	S	*	9/1970	Friedman	D8/307
D294,988	S	*	3/1988	Goodrich	D32/34
D430,369	S	*	8/2000	Medema	D32/34
D466,786	S	*	12/2002	Bourgeois	D8/107
D518,701	S	*	4/2006	Porth	D8/300
D535,544	S	*	1/2007	DeBral	D8/303
D541,489	S	*	4/2007	Johnson	D30/152
D547,159	S	*	7/2007	Porth	D8/303
D720,593	S	*	1/2015	Singh	D8/107
D778,805	S	*	2/2017	Klinck	D12/400
2010/0115809	A1	*	5/2010	Pacheco	G09F 21/049
						40/318

(73) Assignee: **Bombardier Transportation GmbH**,
Berlin (DE)

(**) Term: **15 Years**

(21) Appl. No.: **29/734,518**

(22) Filed: **May 13, 2020**

(30) **Foreign Application Priority Data**

Dec. 18, 2019 (CA) 191966

(51) **LOC (13) Cl.** **08-06**

(52) **U.S. Cl.**
USPC **D8/303; D12/400**

(58) **Field of Classification Search**
USPC D8/1, 3, 10, 107, 300, 303, 307, 311,
D8/312, 315; D7/395; D12/400
CPC Y10T 16/469; Y10T 16/476; Y10T
74/20828; Y10T 74/20822; Y10T 16/466;
Y10T 16/4713; Y10T 16/4707; Y10T
16/44; Y10T 74/2078; Y10T 74/20732;
Y10T 74/20864; Y10T 16/4559; Y10T
74/2028; Y10T 292/57; Y10T 16/4576;
Y10T 408/96; Y10T 74/20612; Y10T
407/1825; Y10T 74/20642; Y10T 408/65;
Y10T 70/5872; Y10T 74/2042; Y10T
74/20396; Y10T 29/53943; Y10T
403/1649; B60N 3/02; B60N 3/023

See application file for complete search history.

* cited by examiner

Primary Examiner — Lauren R Calve

(74) *Attorney, Agent, or Firm* — The Webb Law Firm

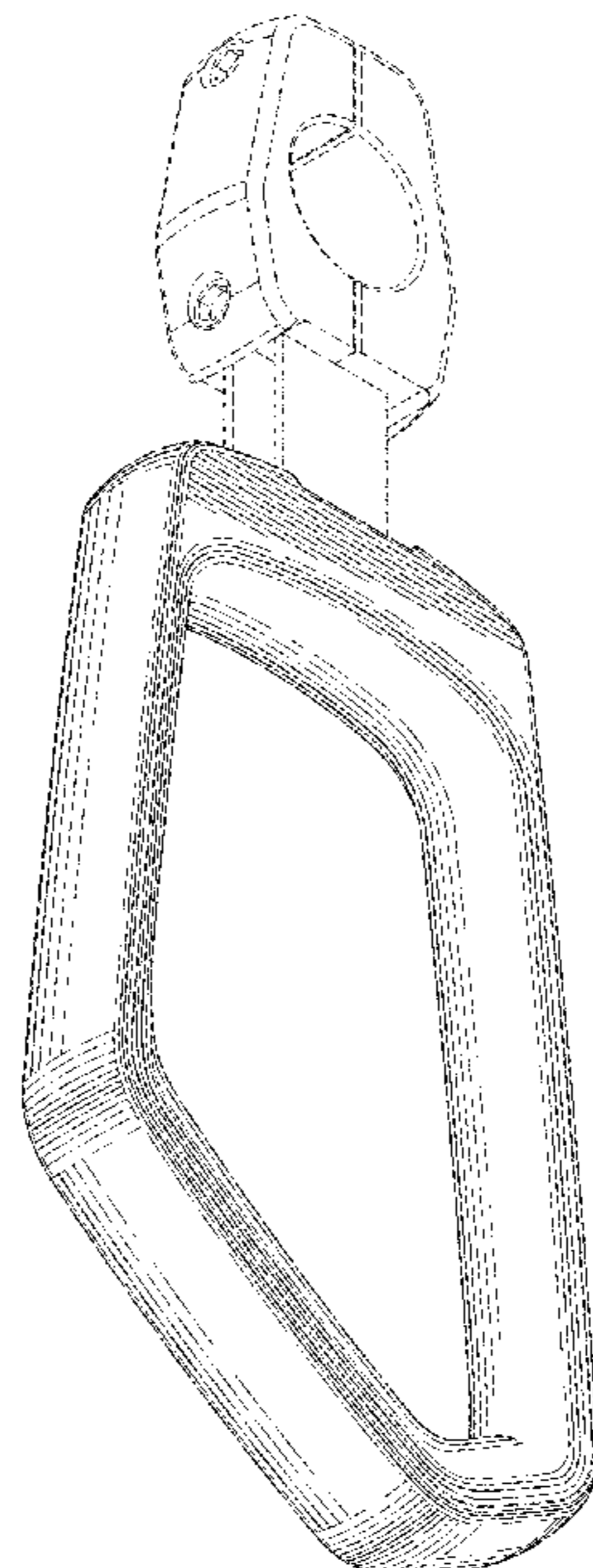
(57) **CLAIM**

The ornamental design for a grab handle, as shown and described.

DESCRIPTION

FIG. 1 is a front perspective view of a grab handle, showing my new design;
FIG. 2 is a front elevation view thereof;
FIG. 3 is a right side elevation view thereof;
FIG. 4 is a left side elevation view thereof;
FIG. 5 is a rear elevation view thereof;
FIG. 6 is a top view thereof; and,
FIG. 7 is a bottom view thereof.
The portions of the grab handle shown in broken lines form no part of the claimed design.

1 Claim, 5 Drawing Sheets



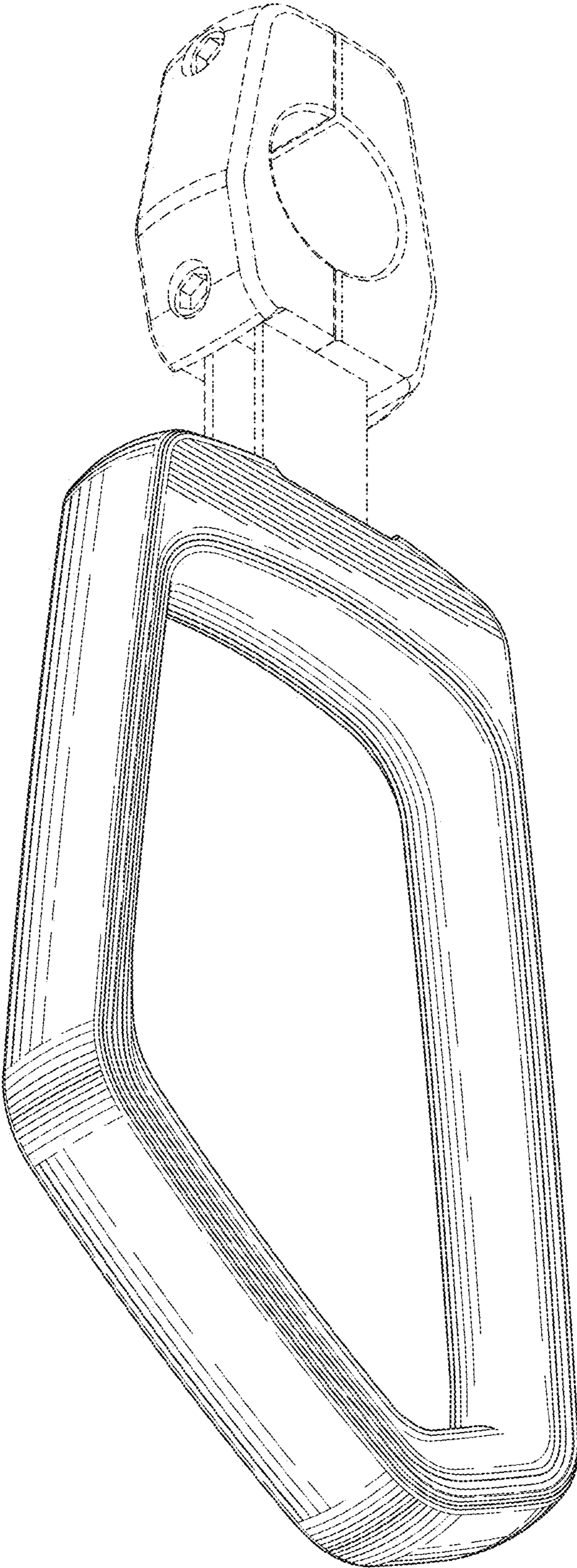


FIG. 1

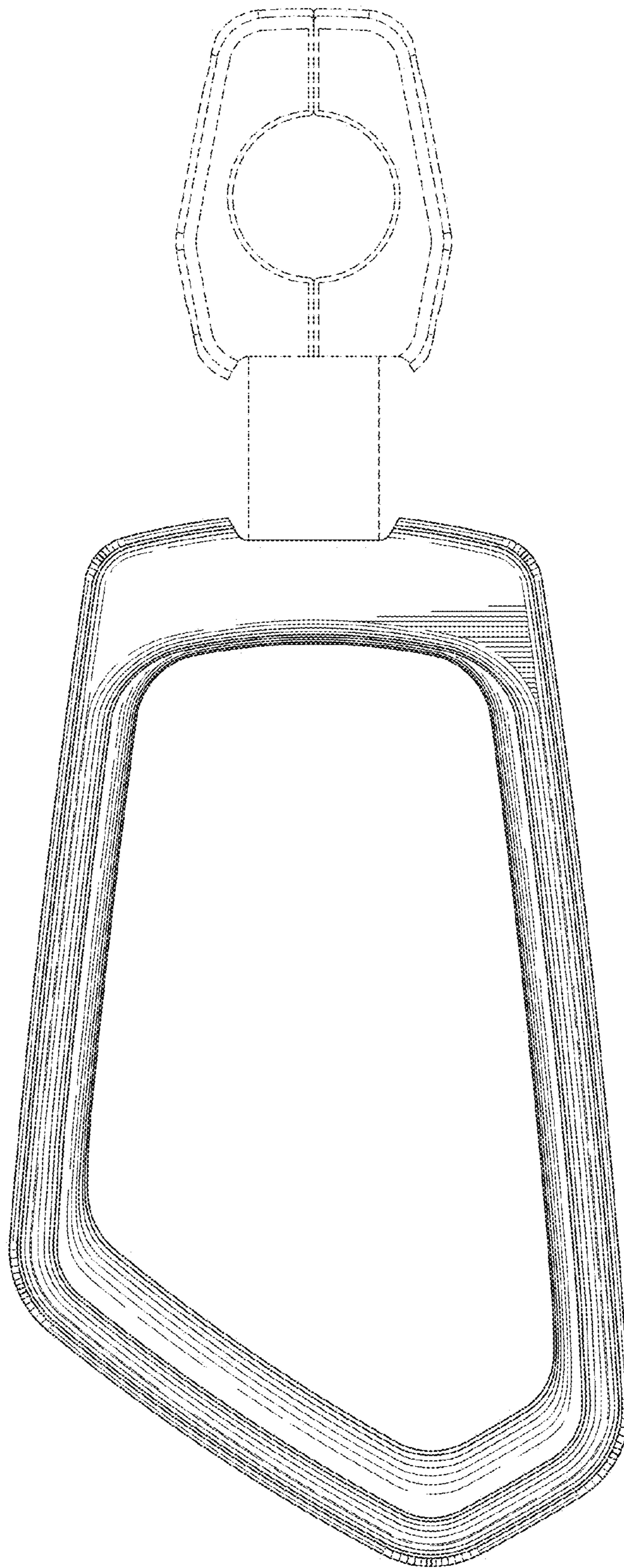


FIG. 2

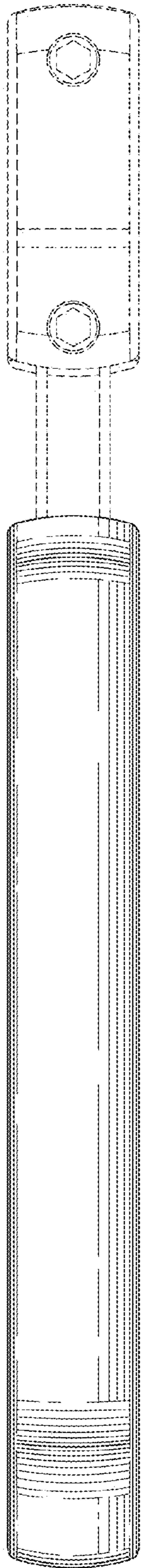


FIG. 3

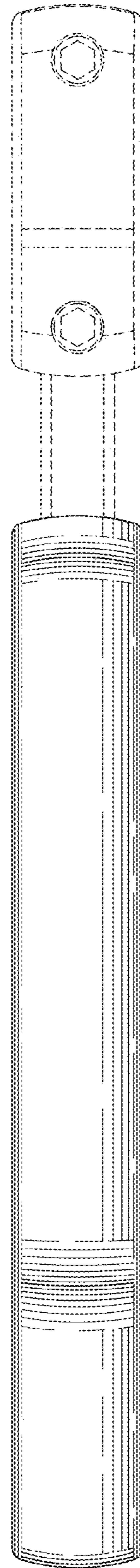


FIG. 4

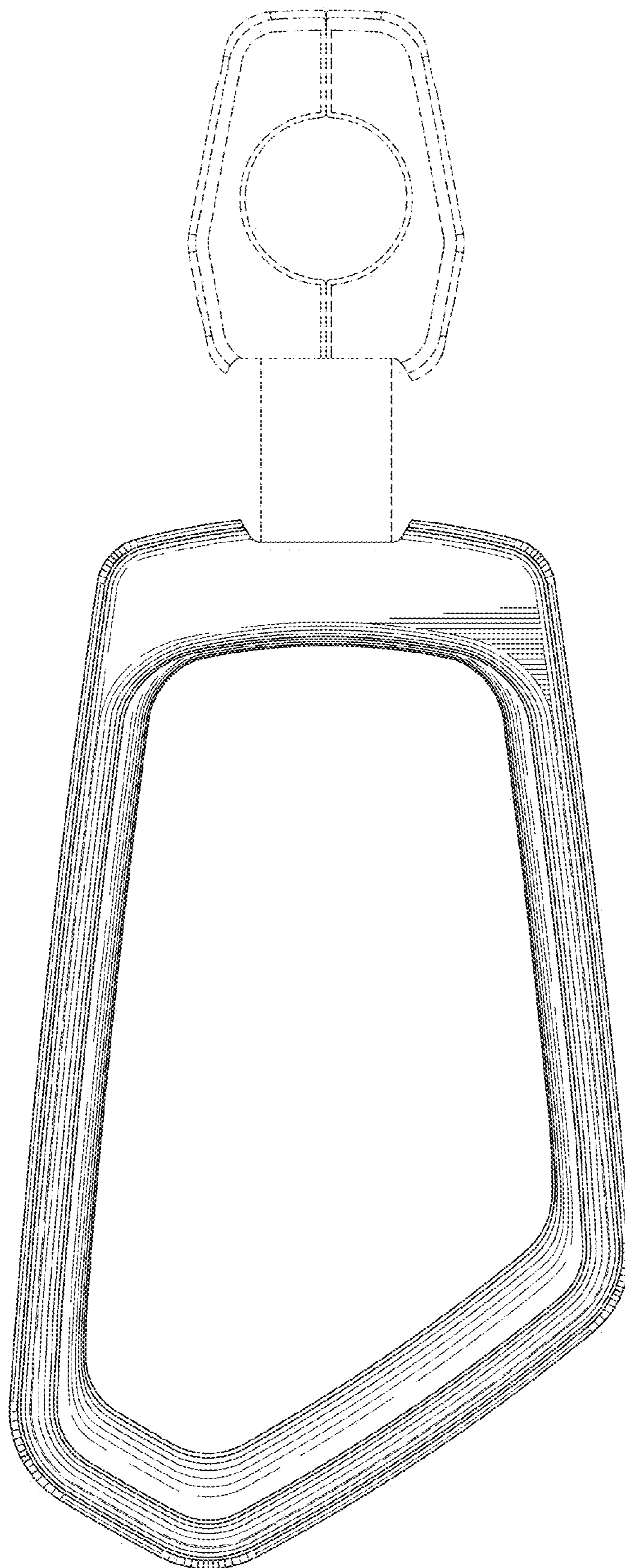


FIG. 5

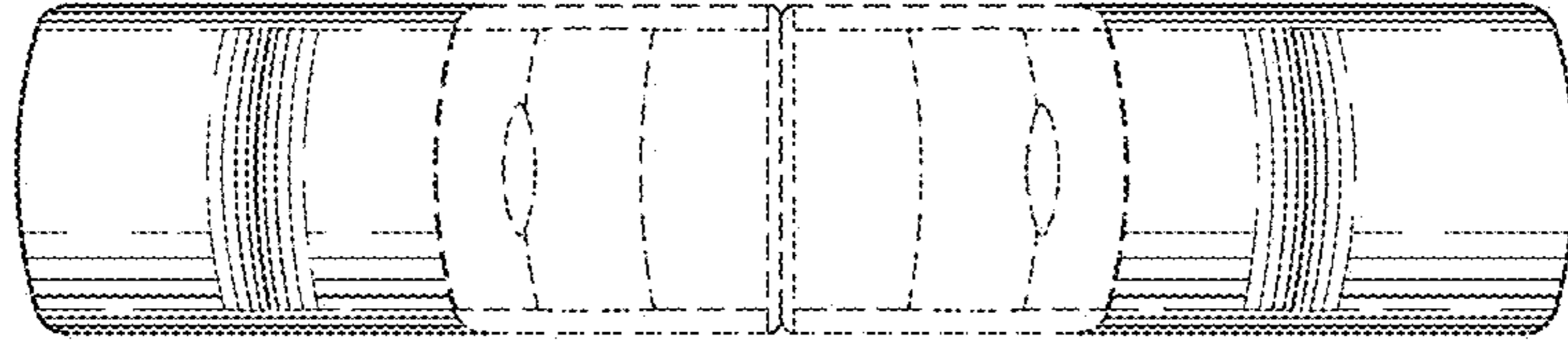


FIG. 6

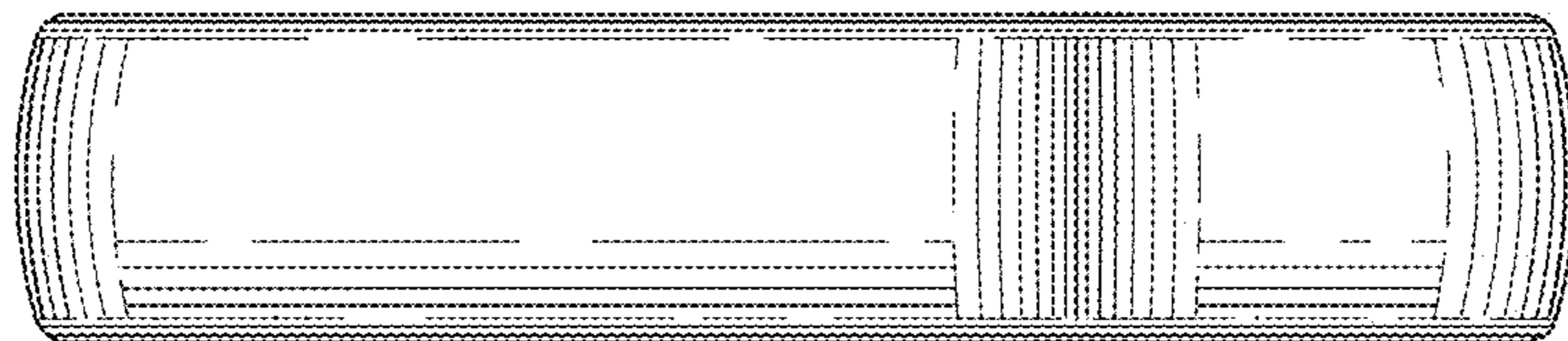


FIG. 7