



US00D929202S

(12) **United States Design Patent**
Bar et al.

(10) **Patent No.: US D929,202 S**
(45) **Date of Patent: ** Aug. 31, 2021**

(54) **MULTI-PURPOSE TOOL**

(71) Applicant: **C.B. Innovation Ltd.**, Nofit (IL)

(72) Inventors: **Yaniv Bar**, Nofit (IL); **Udi Cohen**, Kibutz Gaash (IL)

(73) Assignee: **C.B. Innovation Ltd.**, Kibbutz Maayan Tzvi (IL)

(**) Term: **15 Years**

(21) Appl. No.: **29/657,858**

(22) Filed: **Jul. 26, 2018**

(30) **Foreign Application Priority Data**

Feb. 20, 2018 (IL) 61682

(51) **LOC (13) Cl.** **08-05**

(52) **U.S. Cl.**
USPC **D8/105**

(58) **Field of Classification Search**
USPC D8/10, 105, 76, 95; D29/124
(Continued)

(56) **References Cited**

U.S. PATENT DOCUMENTS

4,918,820 A * 4/1990 Korb B23D 51/01
30/155
5,169,305 A * 12/1992 Kee F23Q 2/32
431/253

(Continued)

Primary Examiner — Janice Hallmark

(74) *Attorney, Agent, or Firm* — Eitan Mehulal Sadot

(57) **CLAIM**

The ornamental design for a multi-purpose tool, as shown and described.

DESCRIPTION

FIG. 1 is a right side view of a multi-purpose tool showing our new design in a closed state;

FIG. 2 is a left side view thereof;
FIG. 3 is a front view thereof;
FIG. 4 is a rear view thereof;
FIG. 5 is an enlarged top view thereof;
FIG. 6 is an enlarged bottom view thereof;
FIG. 7 is a perspective view thereof;
FIG. 8 is another perspective view thereof;
FIG. 9 is another perspective view thereof;
FIG. 10 is a right side view of the multi-purpose tool of FIG. 1 in an alternate configuration, showing the shovel element in a partially open state;
FIG. 11 is a left side view thereof;
FIG. 12 is a front view thereof;
FIG. 13 is a rear view thereof;
FIG. 14 is an enlarged top view thereof;
FIG. 15 is an enlarged bottom view thereof;
FIG. 16 is a perspective view thereof;
FIG. 17 is another perspective view thereof;
FIG. 18 is another perspective view thereof;
FIG. 19 is a right side view of the multi-purpose tool of FIG. 1 in an alternate configuration, showing the shovel element in a fully open state;
FIG. 20 is a left side view thereof;
FIG. 21 is a front view thereof;
FIG. 22 is a rear view thereof;
FIG. 23 is an enlarged top view thereof;
FIG. 24 is an enlarged bottom view thereof;
FIG. 25 is a perspective view thereof;
FIG. 26 is another perspective view thereof;
FIG. 27 is another perspective view thereof;
FIG. 28 is another perspective view thereof;
FIG. 29 is a right side view of the multi-purpose tool of FIG. 1 in an alternate configuration, showing the axe element in open state;
FIG. 30 is a left side view thereof;
FIG. 31 is a front view thereof;
FIG. 32 is a rear view thereof;
FIG. 33 is an enlarged top view thereof;
FIG. 34 is an enlarged bottom view thereof;
FIG. 35 is a perspective view thereof;
FIG. 36 is another perspective view thereof;
FIG. 37 is another perspective view thereof;

(Continued)

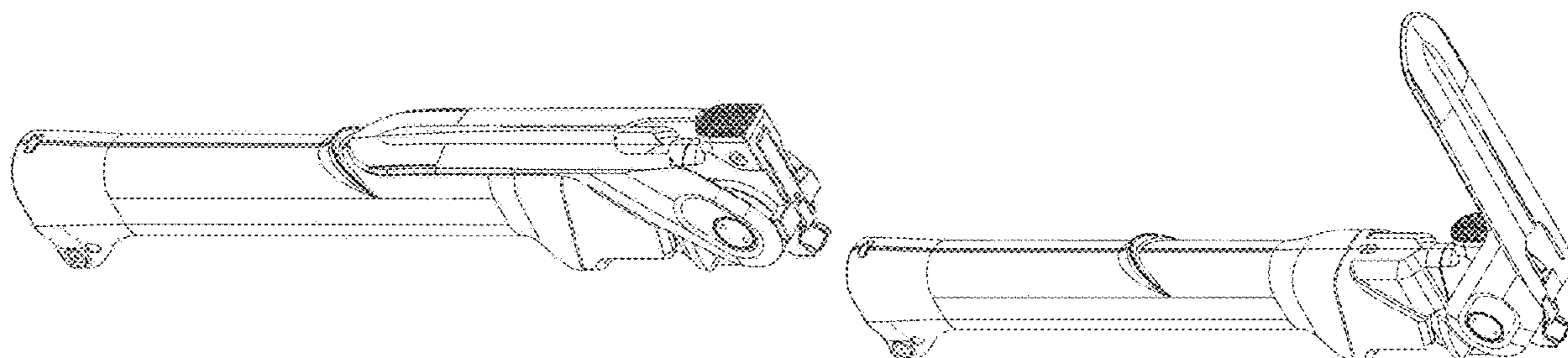


FIG. 38 is a right side view of the saw element of the multi-purpose tool of FIG. 1, shown in a closed state and shown removed from the multi-purpose tool;
 FIG. 39 is a left side view thereof;
 FIG. 40 is a front view thereof;
 FIG. 41 is a rear view thereof;
 FIG. 42 is an enlarged top view thereof;
 FIG. 43 is an enlarged bottom view thereof;
 FIG. 44 is a perspective view thereof;
 FIG. 45 is another perspective view thereof;
 FIG. 46 is another perspective view thereof;
 FIG. 47 is another perspective view thereof; and,
 FIG. 48 is another perspective view thereof.

1 Claim, 48 Drawing Sheets

(58) **Field of Classification Search**

CPC B25F 1/006; B25F 1/04; B25F 1/02; B25F 1/00

See application file for complete search history.

(56) **References Cited**

U.S. PATENT DOCUMENTS

5,297,306 A * 3/1994 Shandel B25G 3/26
 7/114
 5,438,757 A * 8/1995 Weschenfelder B26B 5/005
 30/139
 5,829,965 A * 11/1998 Rubalcava F23Q 2/32
 431/253
 6,142,769 A * 11/2000 Walker B25F 1/04
 362/119
 D464,168 S * 10/2002 Reynolds D27/142

7,010,822 B1 * 3/2006 Lin B25F 1/006
 7/143
 7,036,952 B2 * 5/2006 Zirk B26B 1/04
 30/308.1
 D528,245 S * 9/2006 Smith D27/142
 D549,069 S * 8/2007 Lin D8/105
 D557,100 S * 12/2007 Stokes D8/105
 D577,980 S * 10/2008 Mihaelson D8/105
 D630,080 S * 1/2011 Seeds D8/105
 D630,924 S * 1/2011 Steineckert D8/105
 D639,131 S * 6/2011 Winsor D8/105
 D658,962 S * 5/2012 Green D8/105
 D660,677 S * 5/2012 Sutter D8/105
 8,281,437 B2 * 10/2012 Hunkele B26B 11/001
 7/118
 D696,921 S * 1/2014 Sutter D8/105
 D705,682 S * 5/2014 Stowers D10/86
 D710,670 S * 8/2014 Oakley D8/105
 D711,207 S * 8/2014 Seeds D8/105
 D729,031 S * 5/2015 Smith D8/105
 D731,278 S * 6/2015 Cavanaugh D8/93
 D746,658 S * 1/2016 Mihailides D8/105
 D755,603 S * 5/2016 Reedy D8/105
 D761,631 S * 7/2016 Jacobson D8/105
 D764,252 S * 8/2016 Klecker D8/105
 D770,262 S * 11/2016 Ancona D8/105
 D774,869 S * 12/2016 Royes D8/105
 D782,893 S * 4/2017 Mimplitch D8/105
 9,919,435 B1 * 3/2018 Enguita E04F 21/161
 D817,141 S * 5/2018 Walters D8/95
 10,071,469 B2 * 9/2018 Gallegos B25G 1/085
 10,081,112 B2 * 9/2018 Langenwalter B26B 11/00
 D885,159 S * 5/2020 Bar D8/105
 D887,244 S * 6/2020 Bar D8/105
 D915,861 S * 4/2021 Zhong D8/105
 2005/0015885 A1 * 1/2005 Johnson B25F 1/006
 7/114
 2018/0117753 A1 * 5/2018 Bar B26B 3/06
 2020/0406442 A1 * 12/2020 Bar A01B 1/20

* cited by examiner

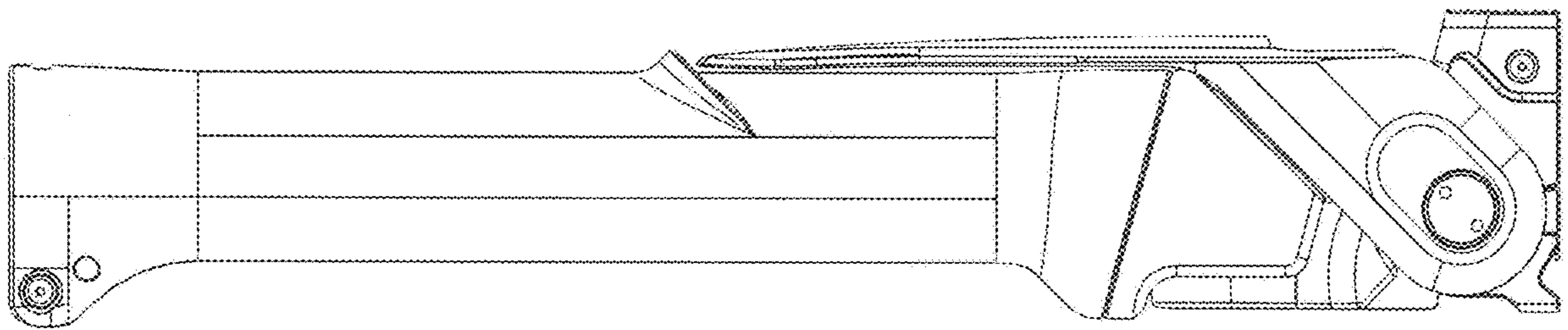


FIG. 1

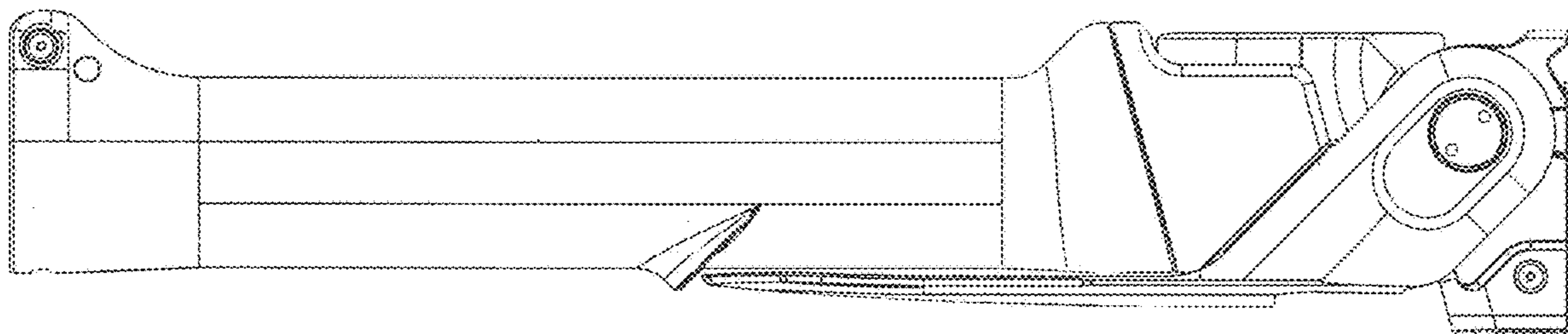


FIG. 2

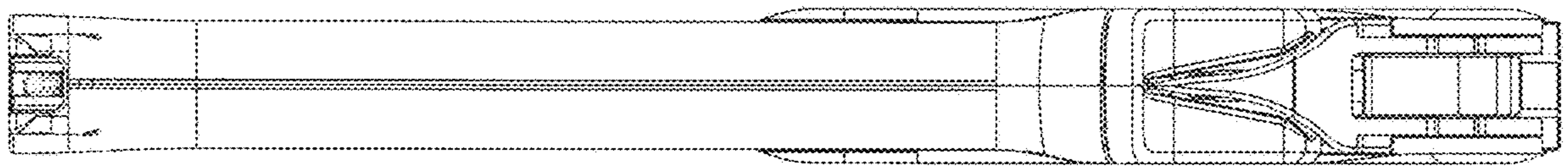


FIG. 3

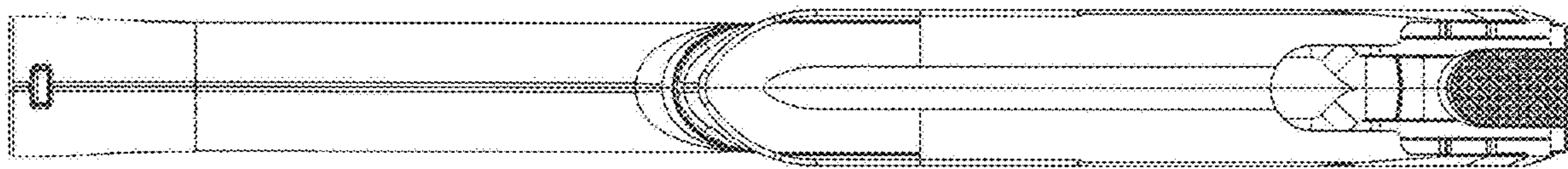


FIG. 4

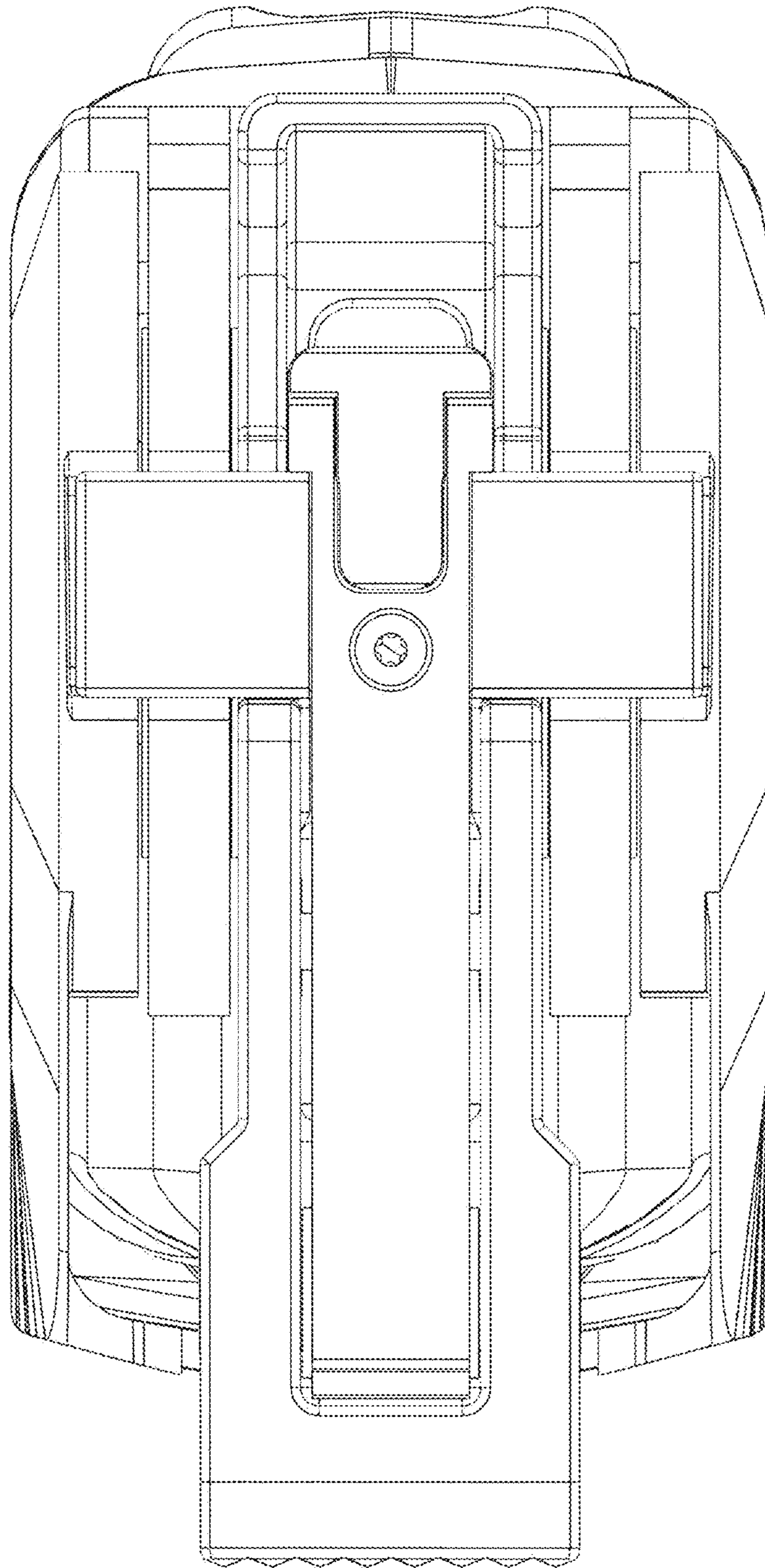


FIG. 5

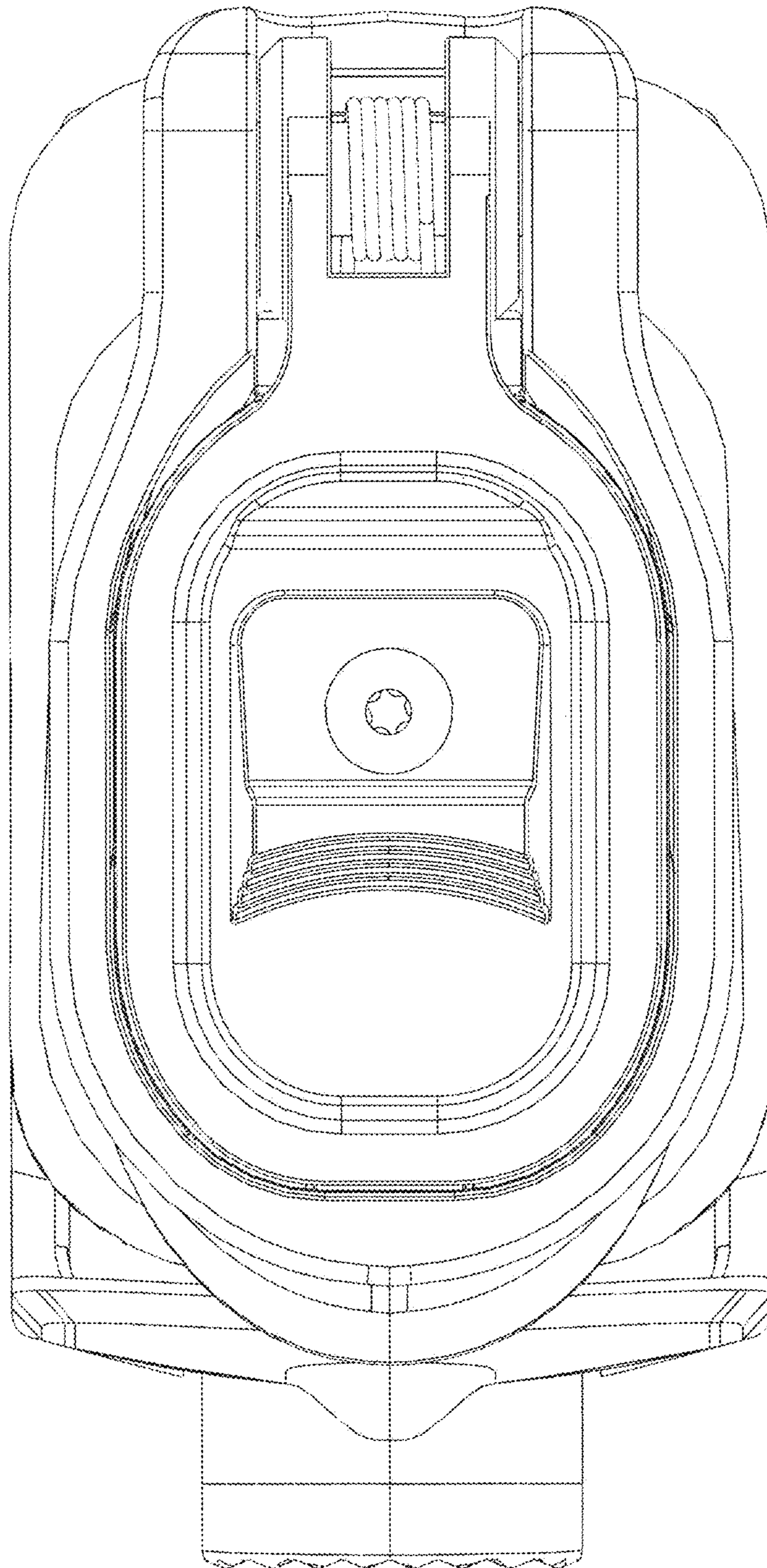


FIG. 6

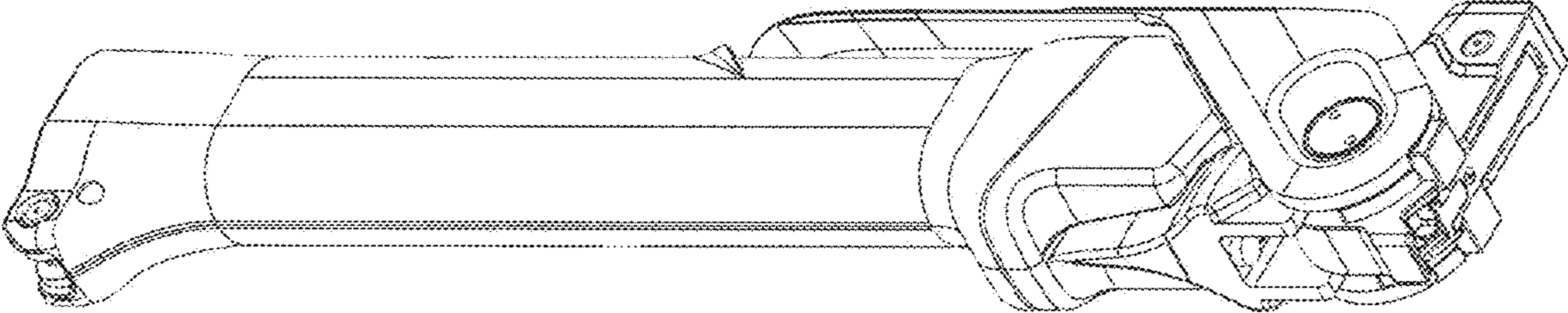


FIG. 7

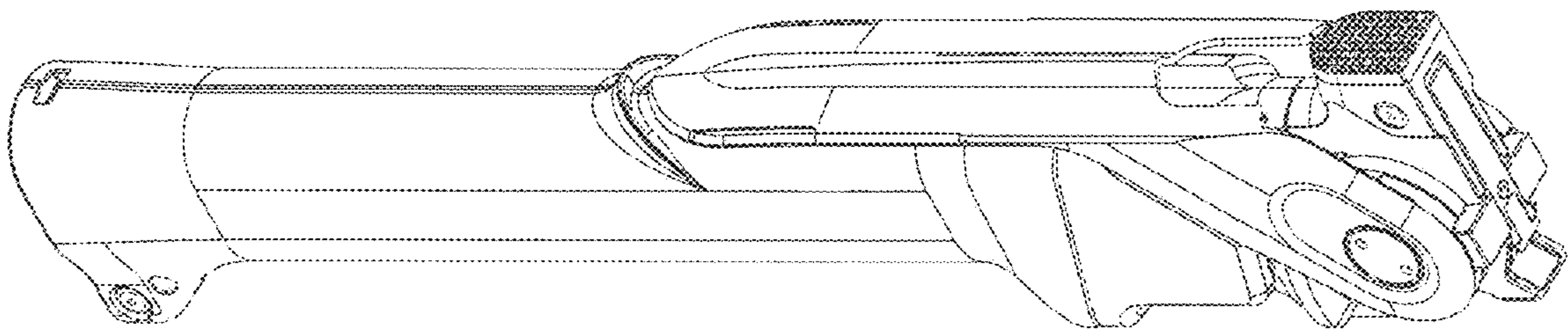


FIG. 8

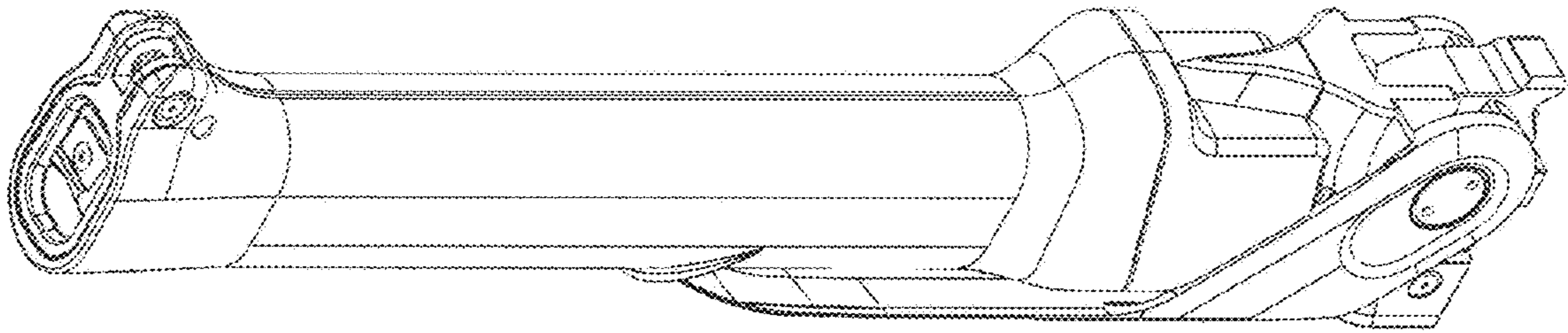


FIG. 9

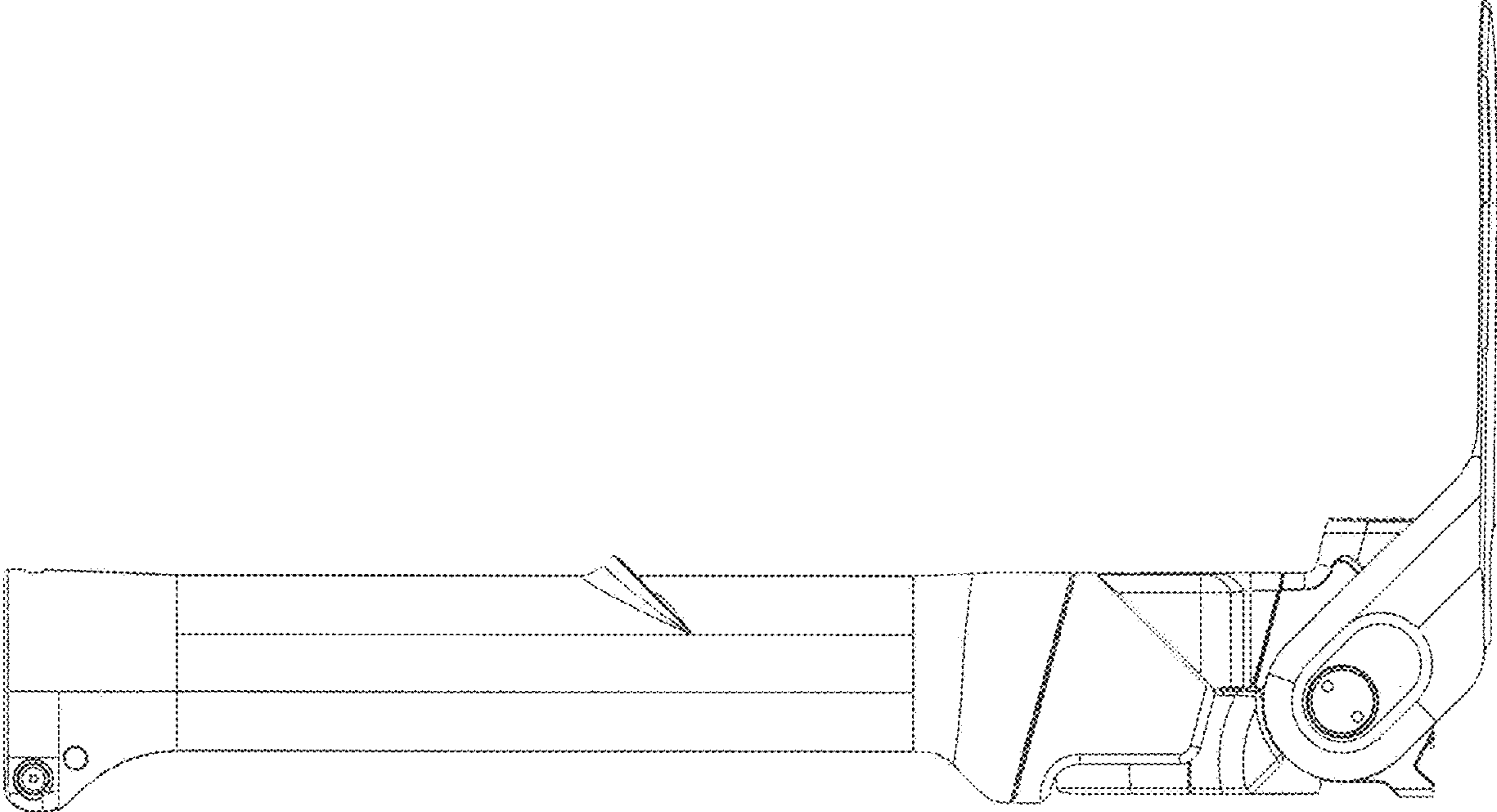


FIG. 10

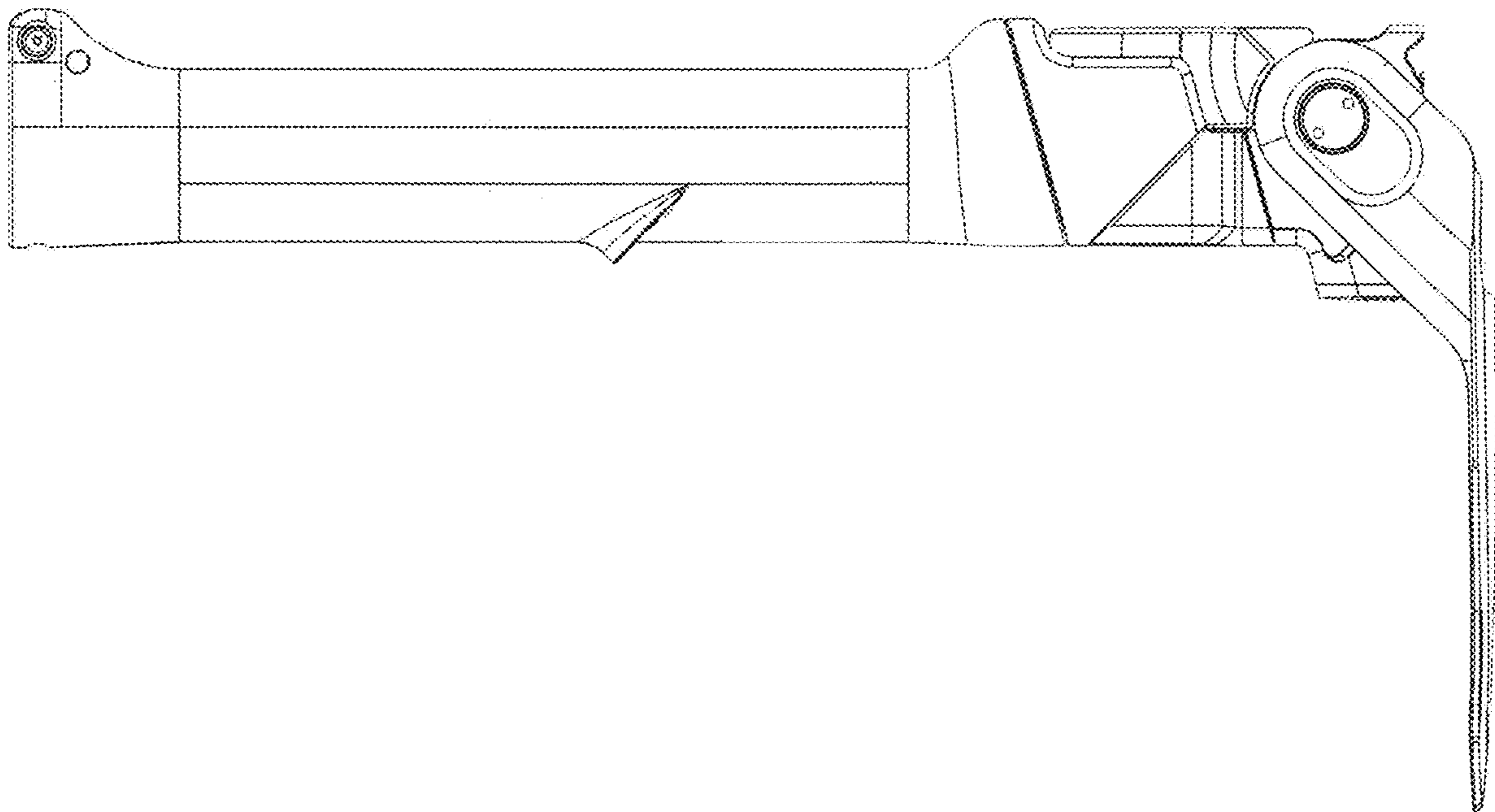


FIG. 11

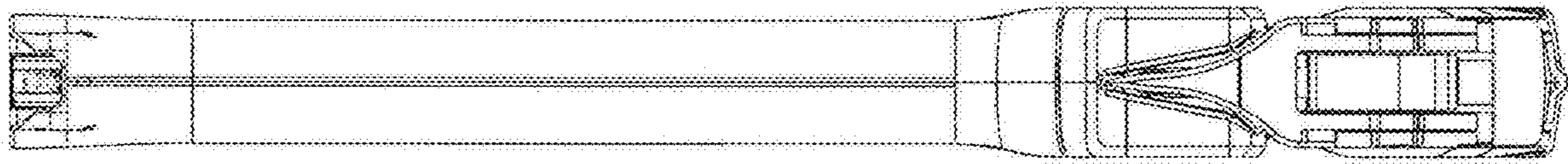


FIG. 12

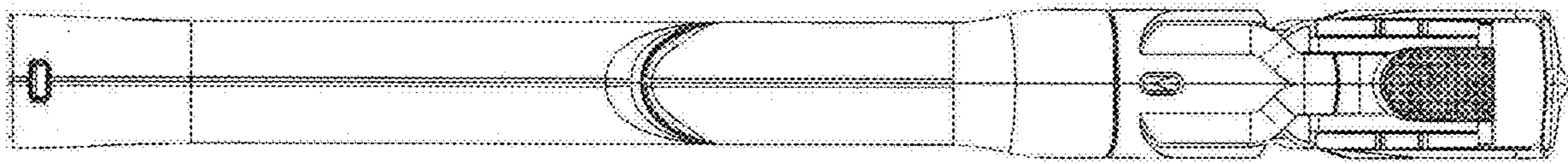


FIG. 13

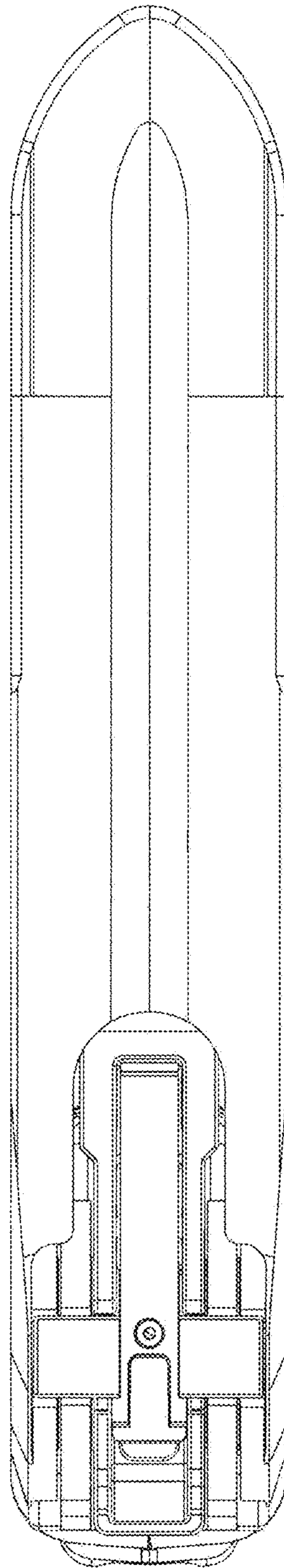


FIG. 14

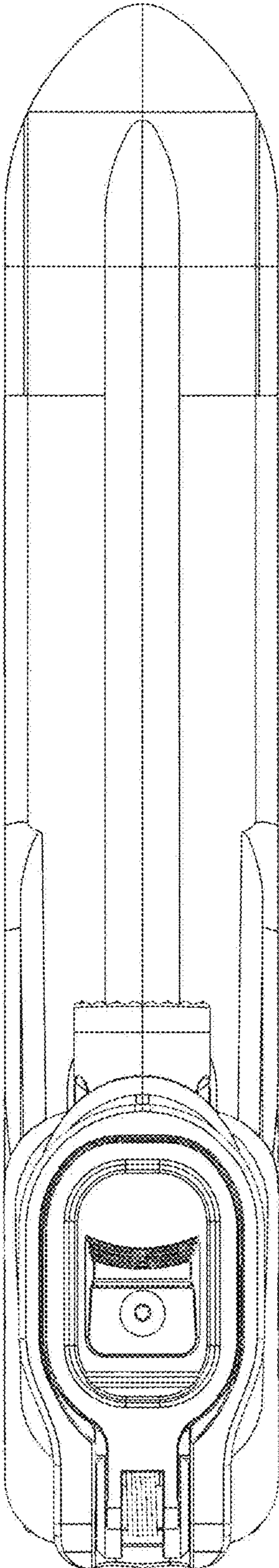


FIG. 15

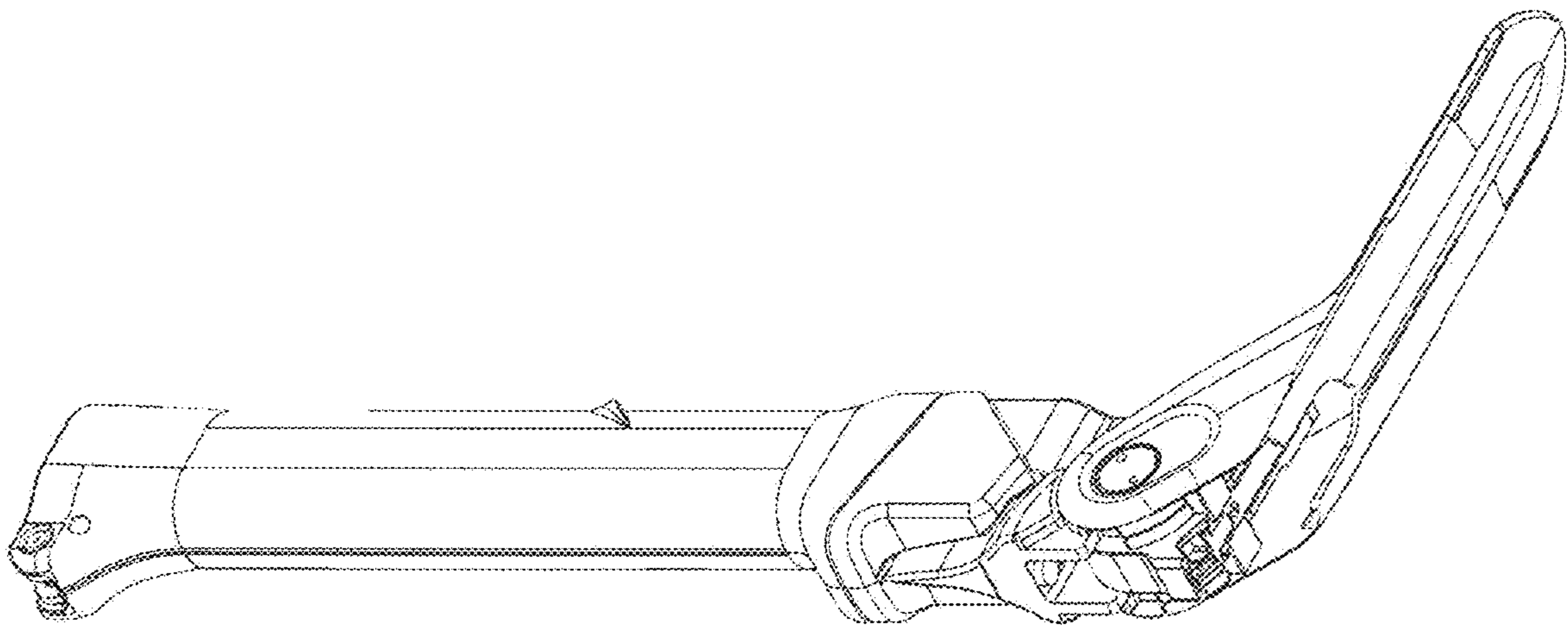


FIG. 16

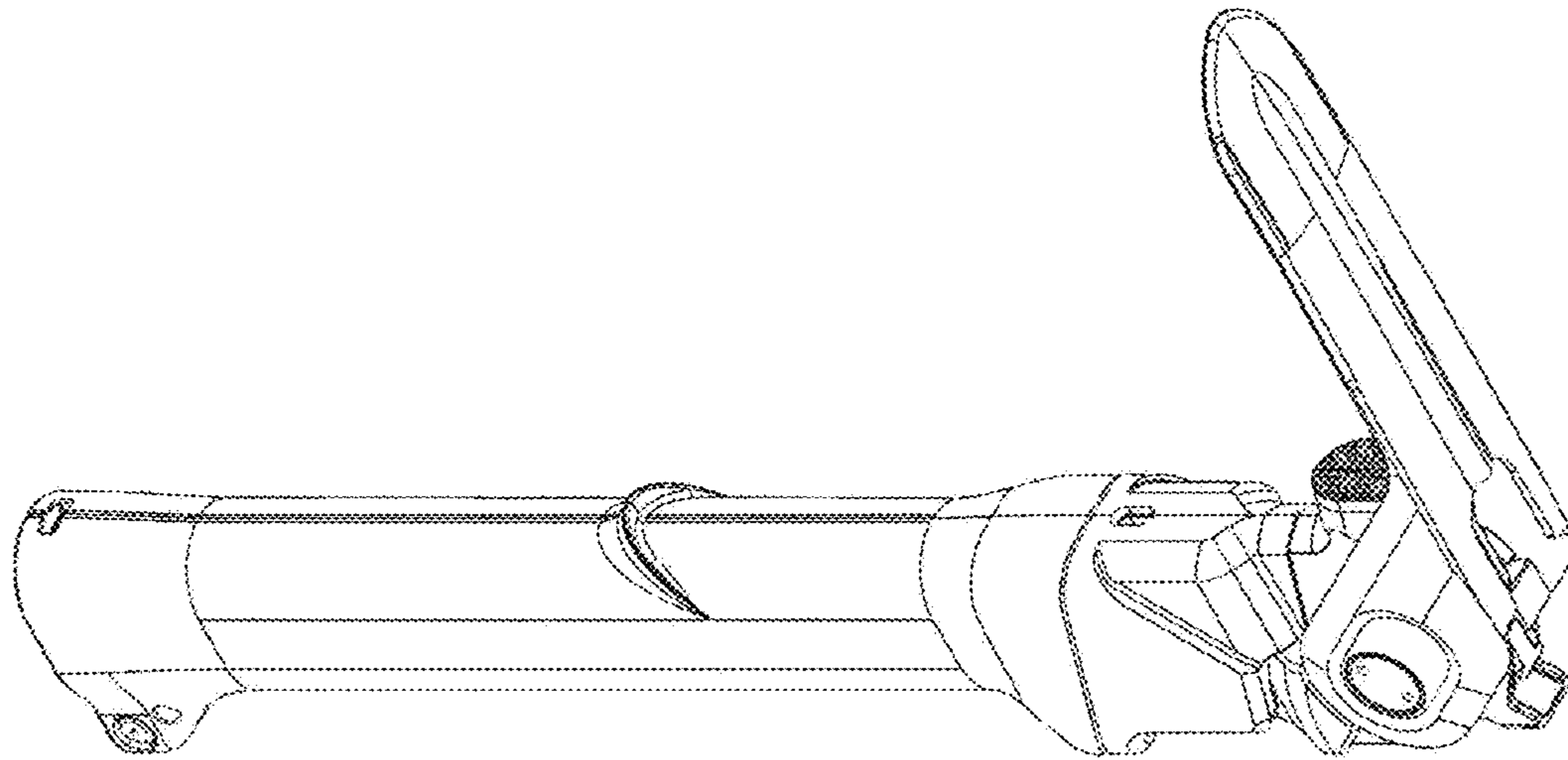


FIG. 17

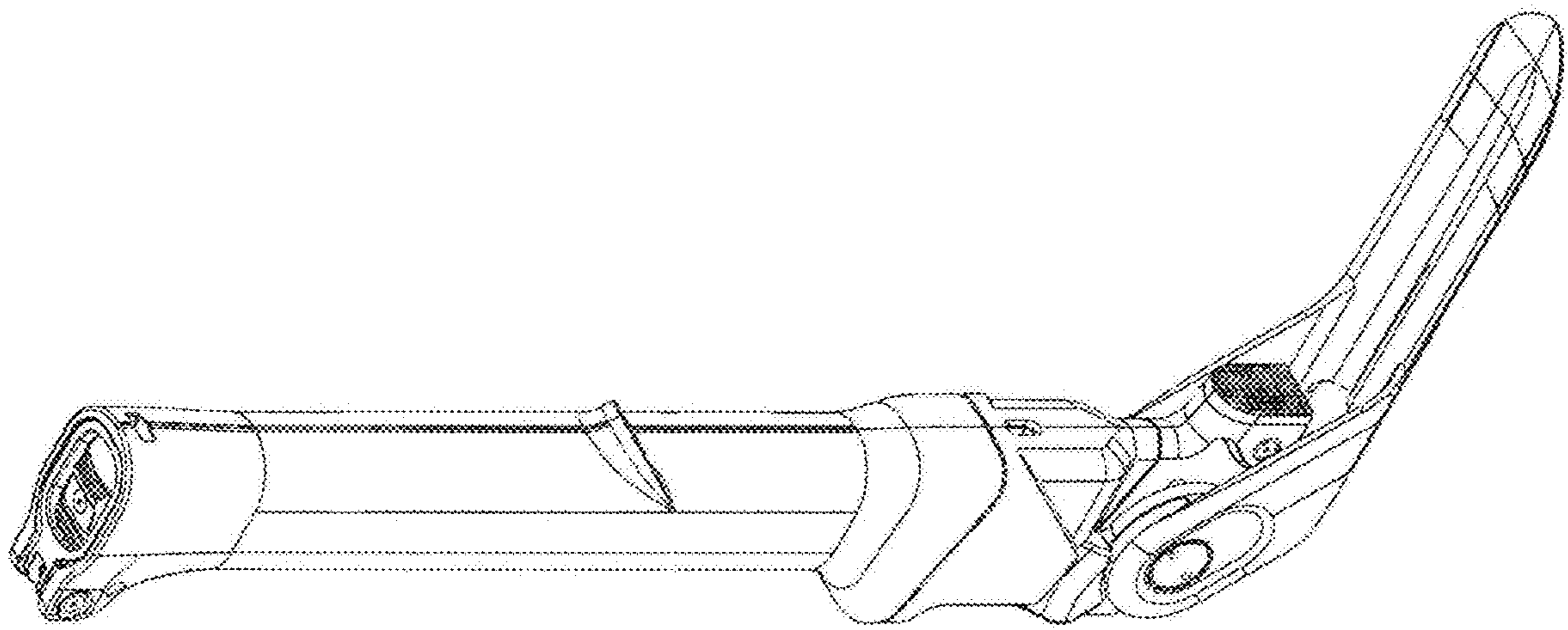


FIG. 18

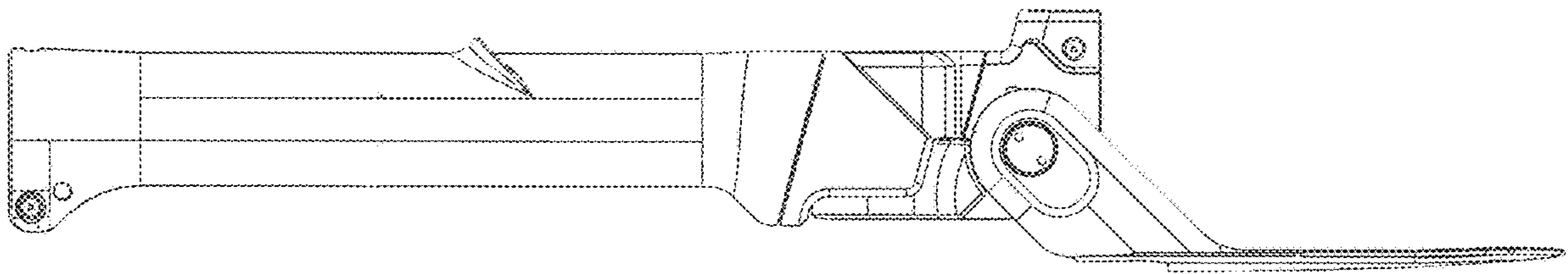


FIG. 19

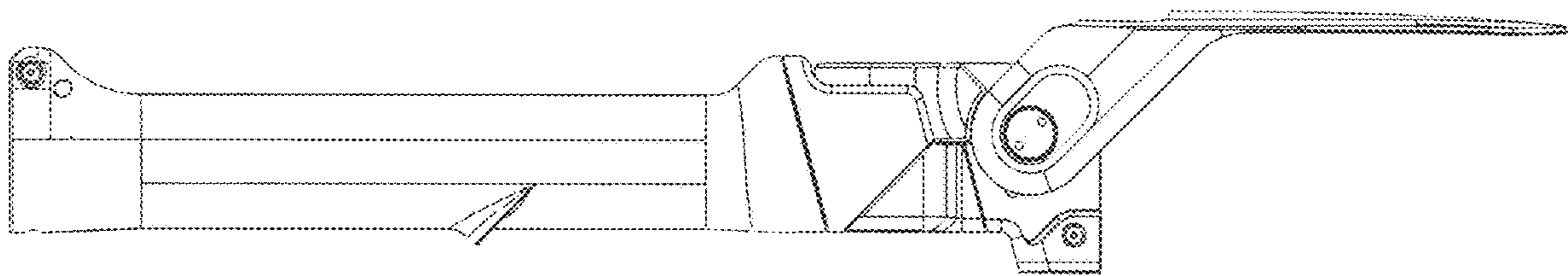


FIG. 20

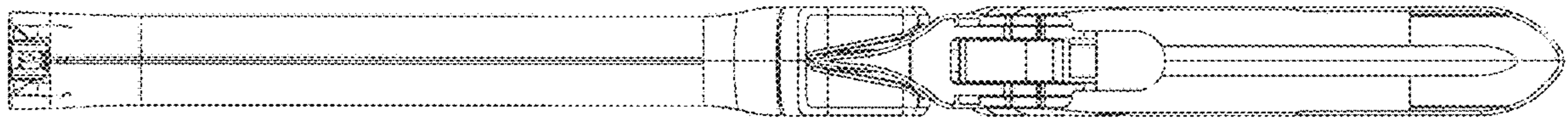


FIG. 21

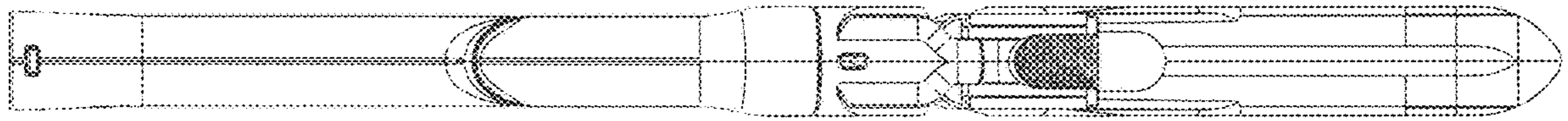


FIG. 22

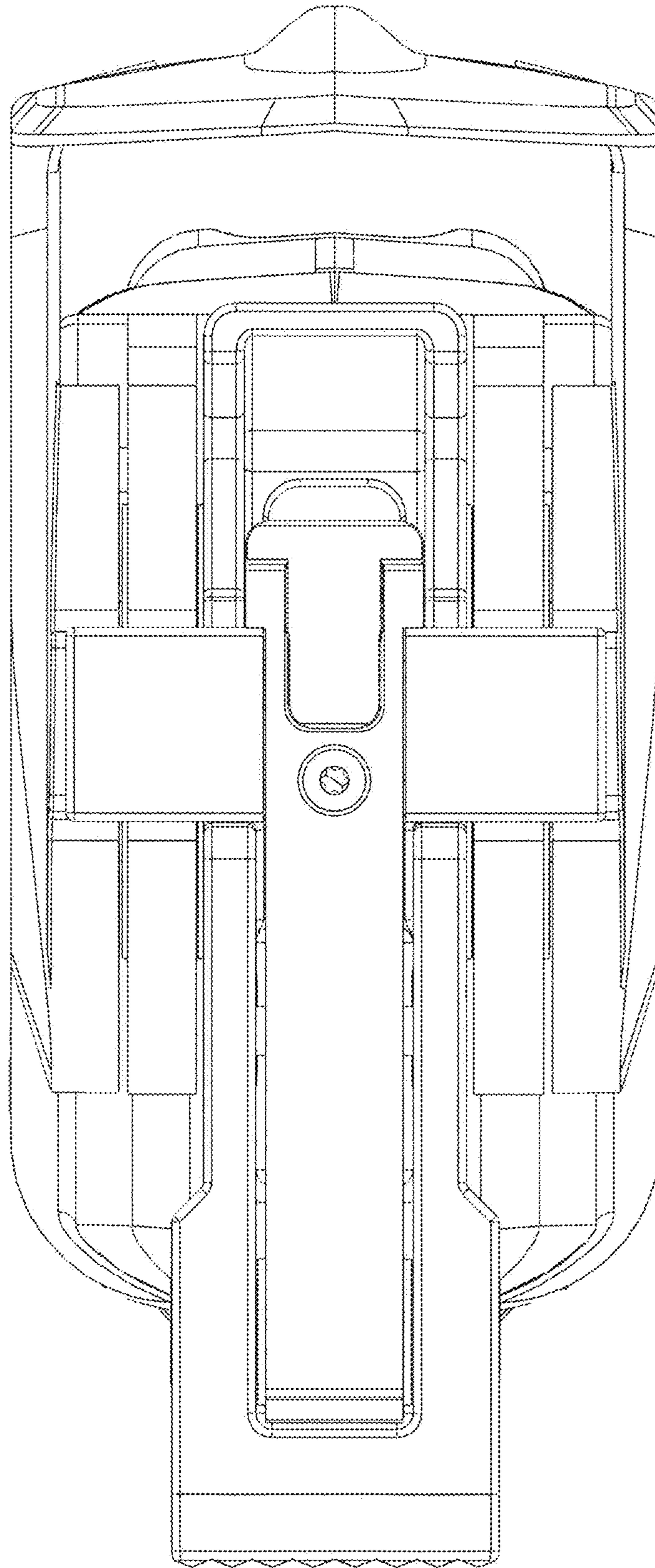


FIG. 23

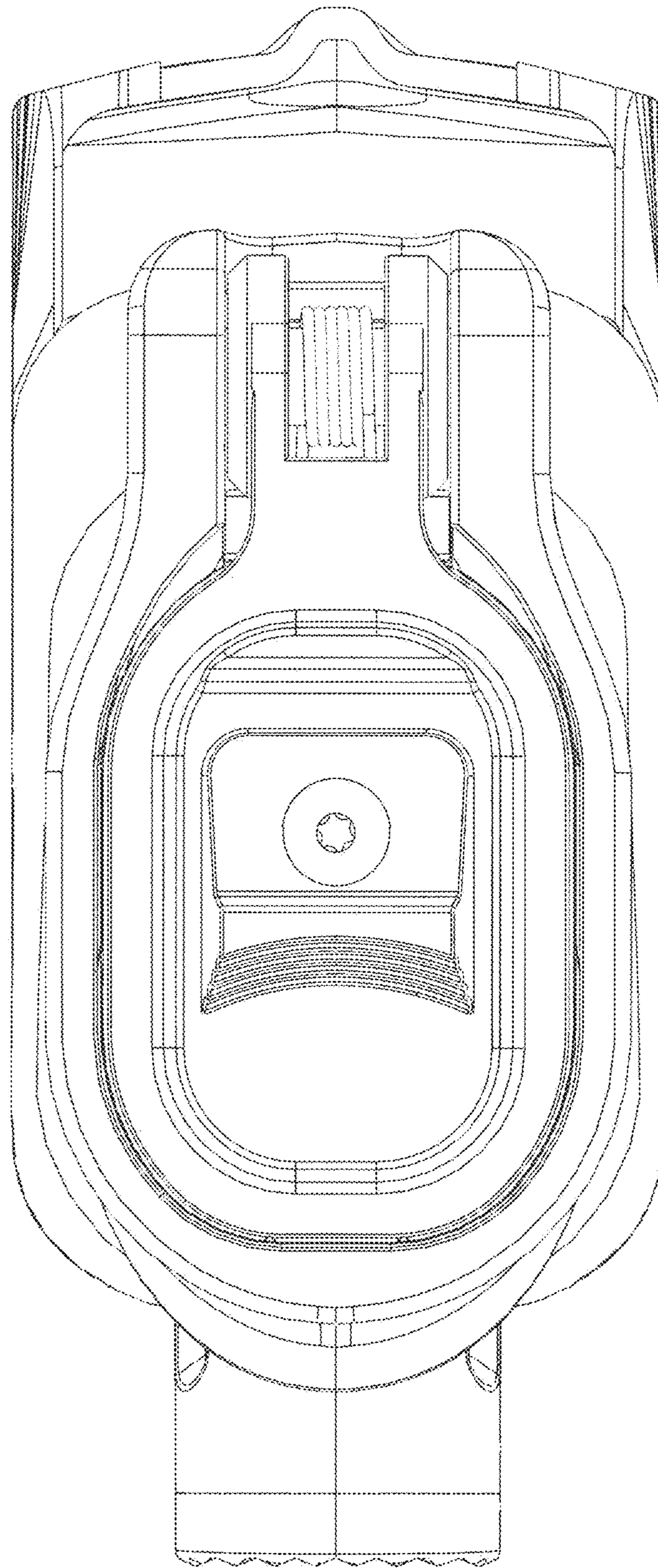


FIG. 24

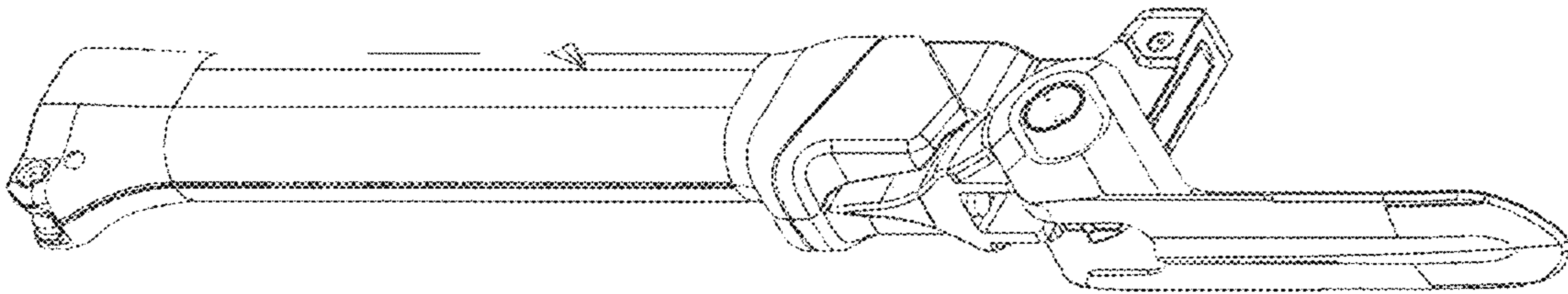


FIG. 25

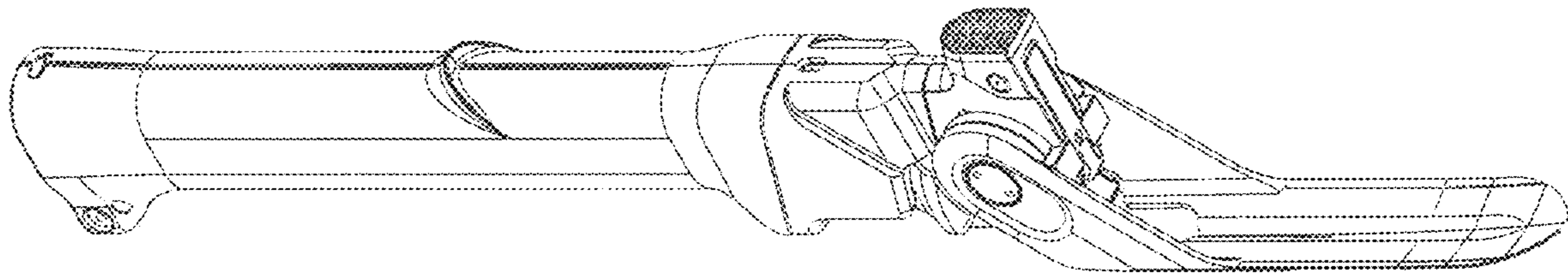


FIG. 26

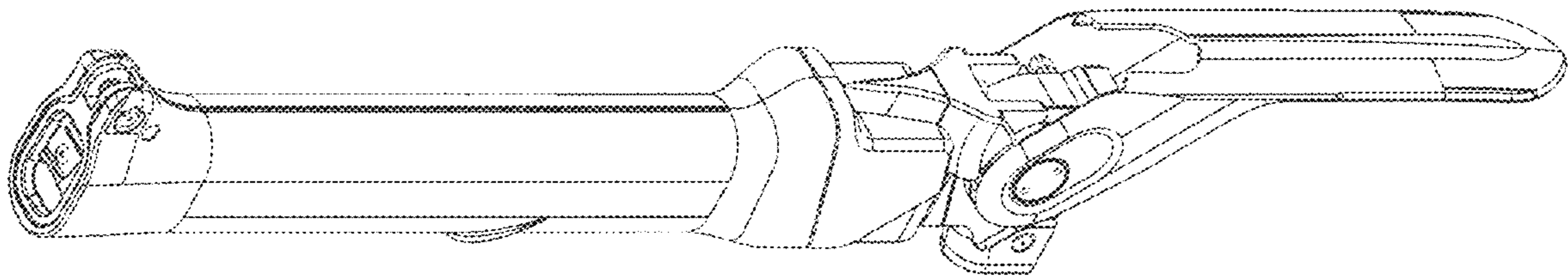


FIG. 27

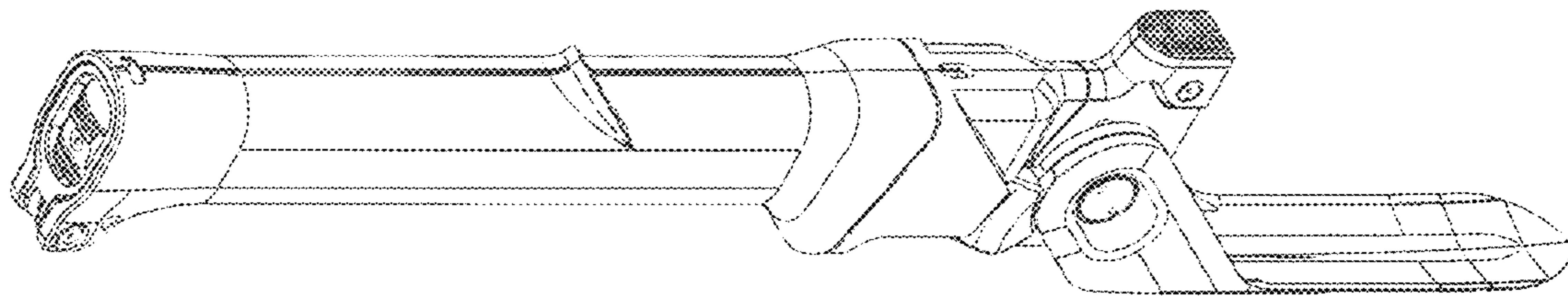


FIG. 28

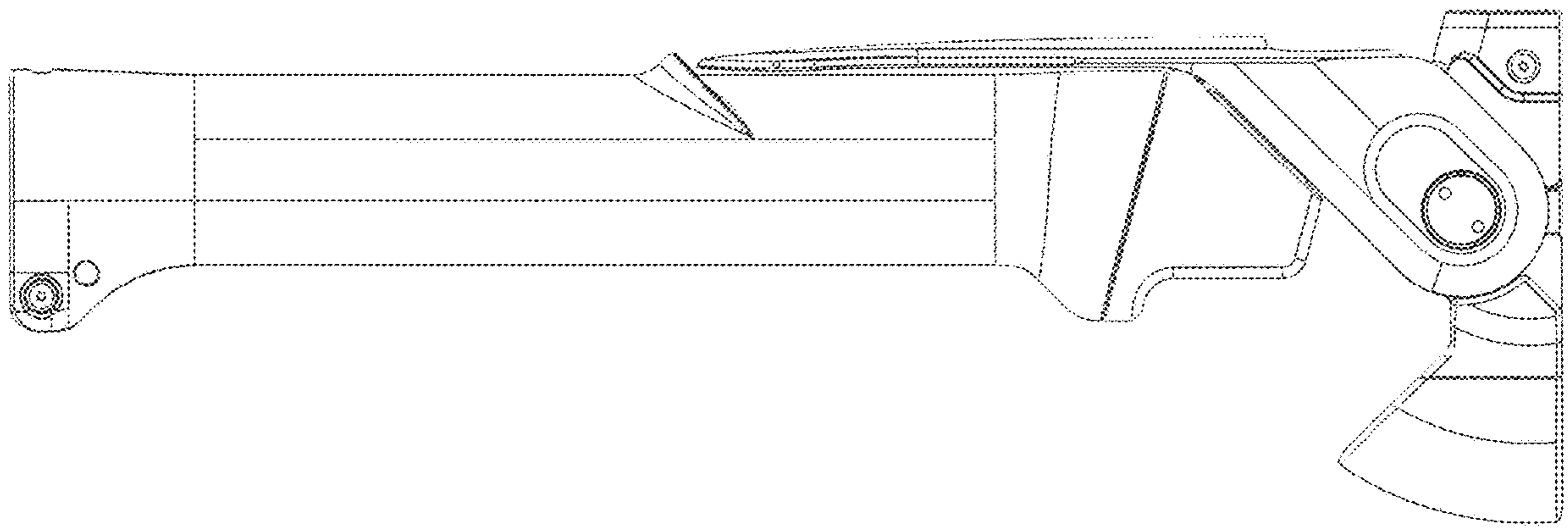


FIG. 29

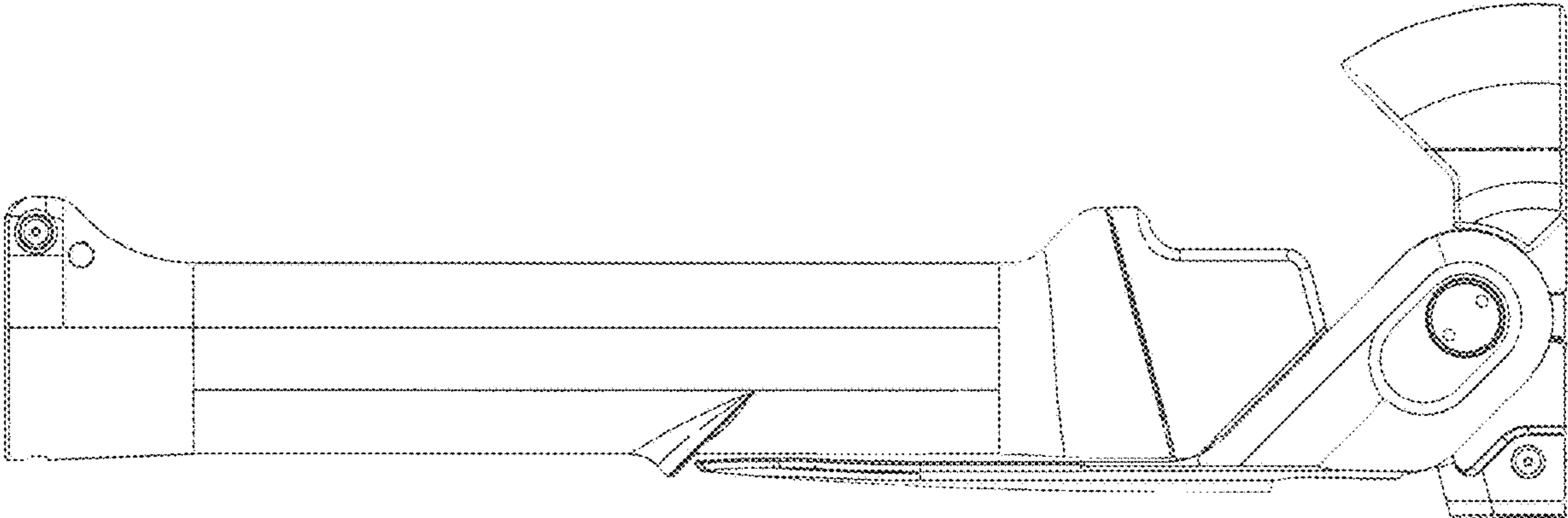


FIG. 30



FIG. 31

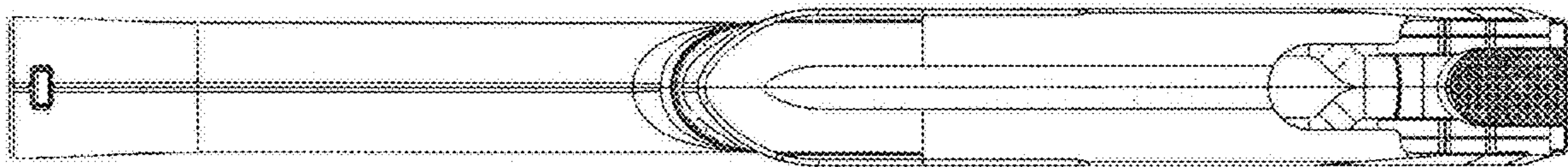


FIG. 32

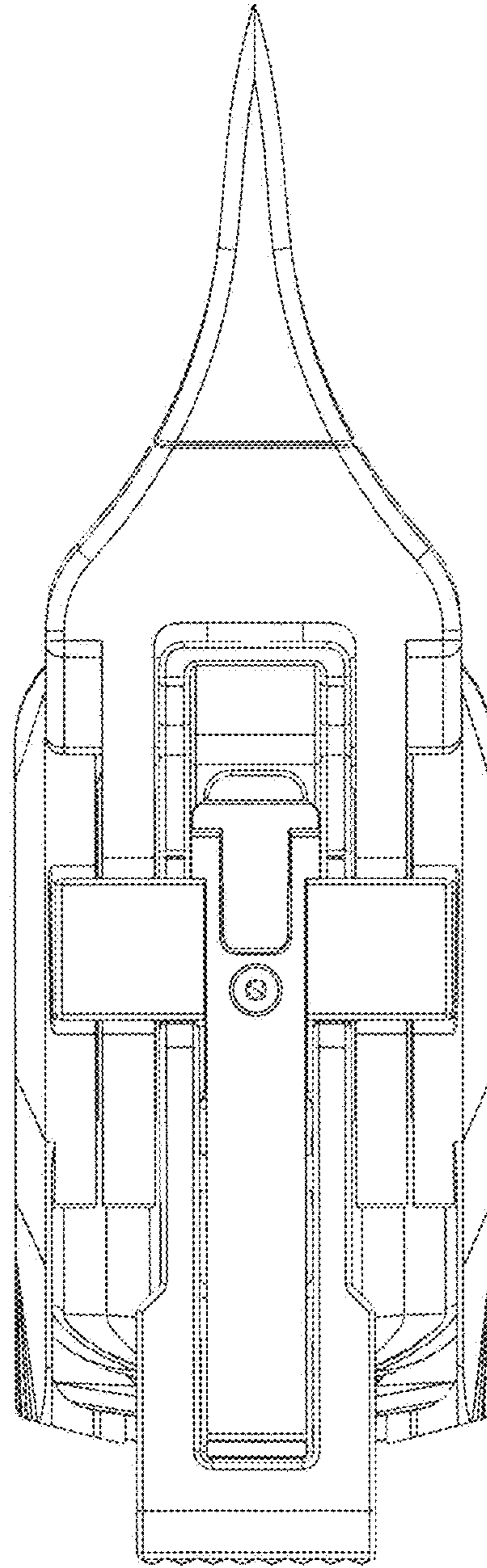


FIG. 33

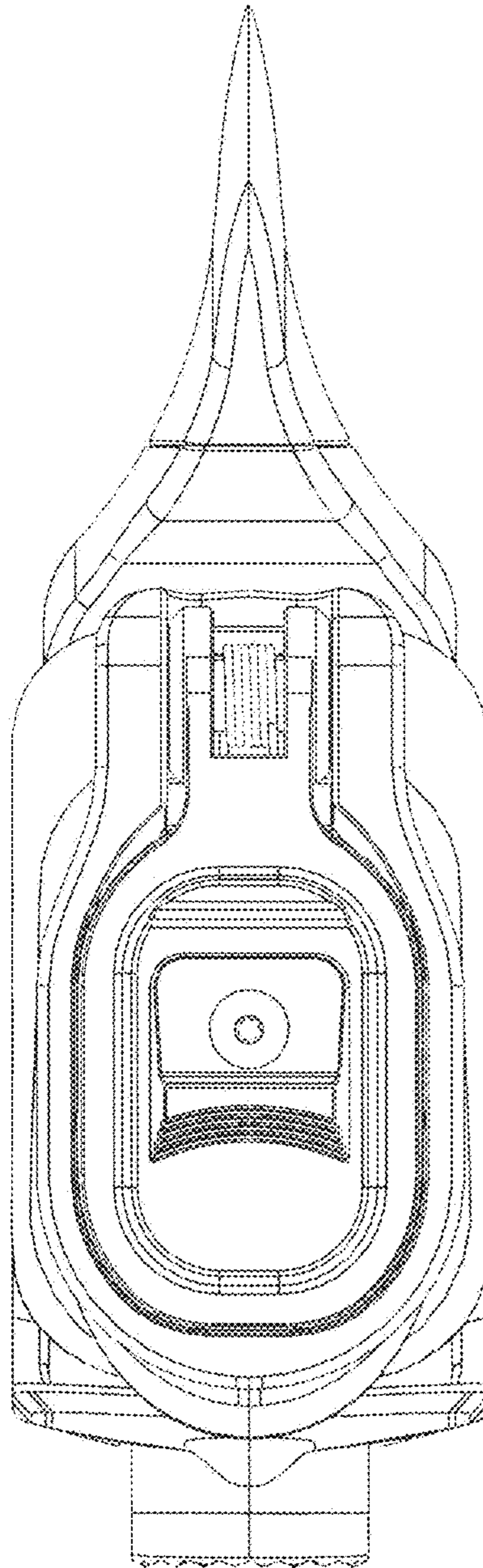


FIG. 34

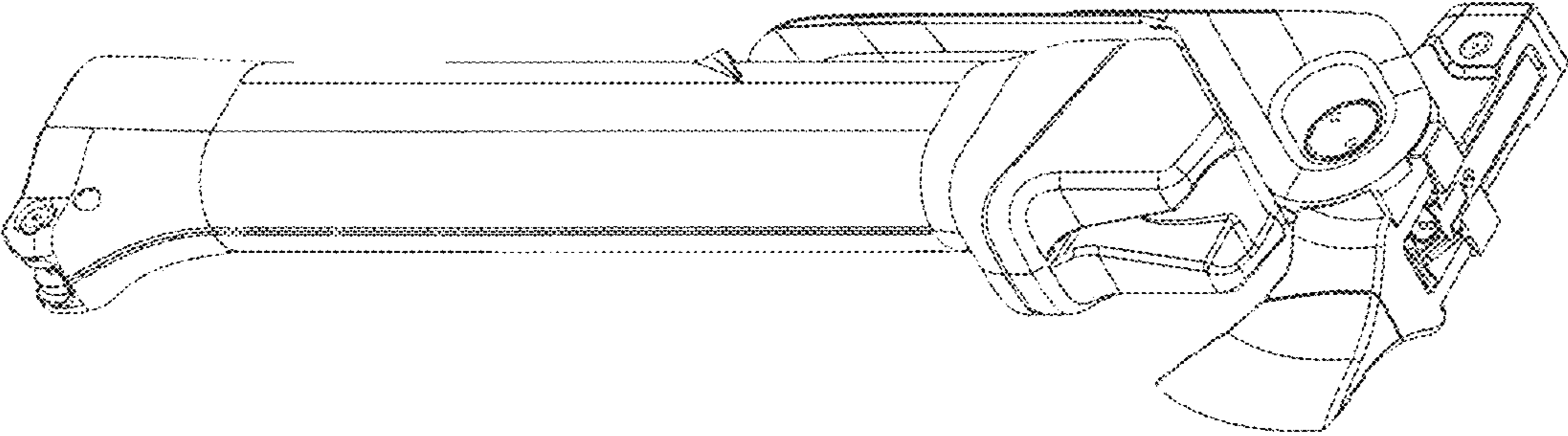


FIG. 35

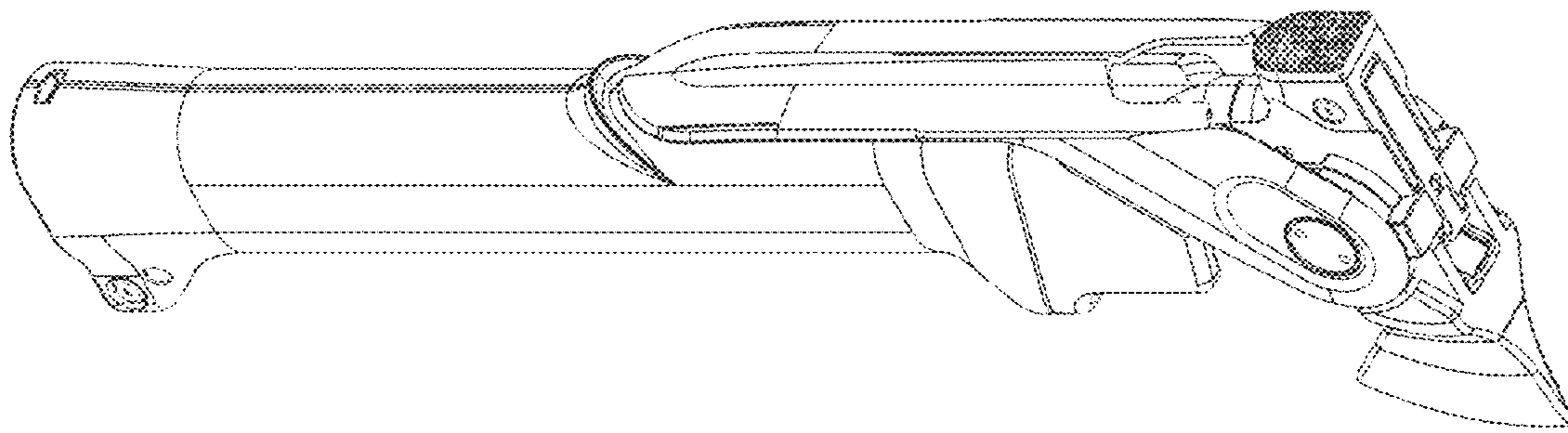


FIG. 36

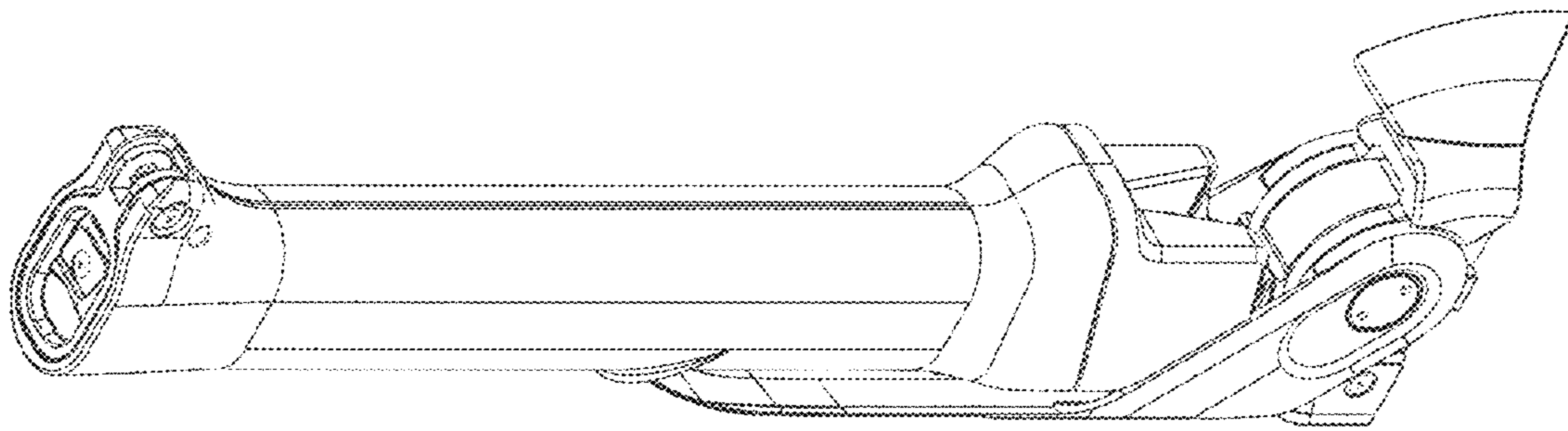


FIG. 37

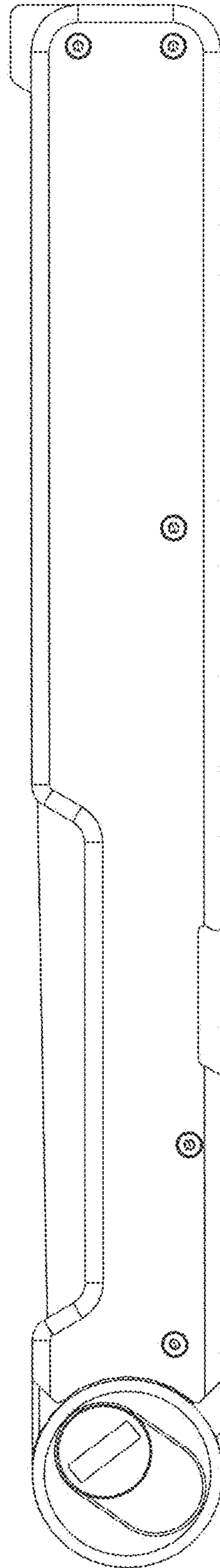


FIG. 38

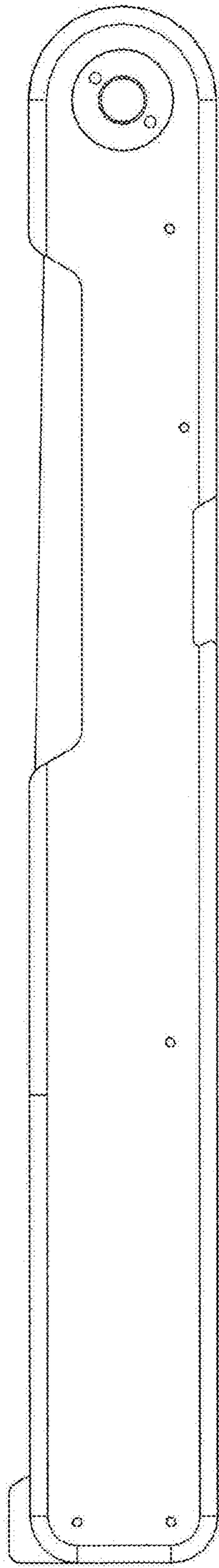


FIG. 39

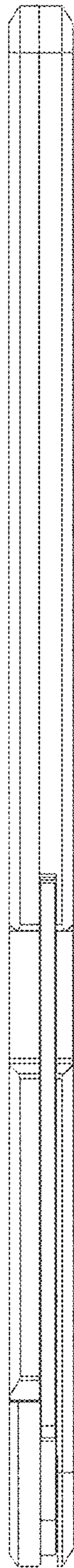


FIG. 40



FIG. 41

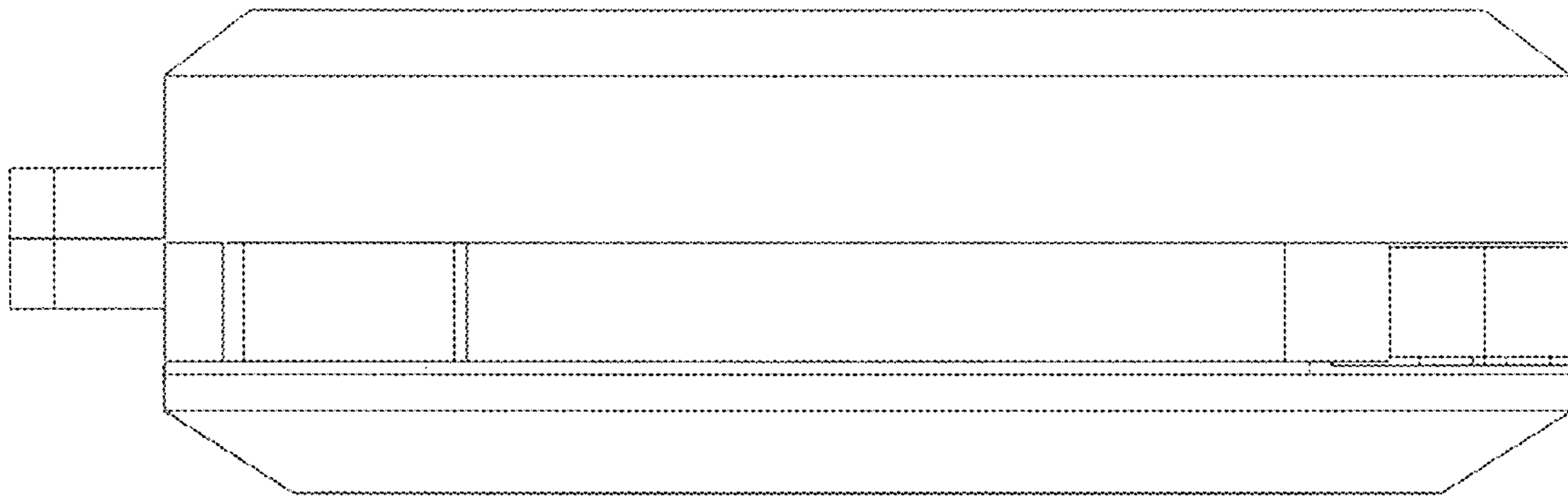


FIG. 42

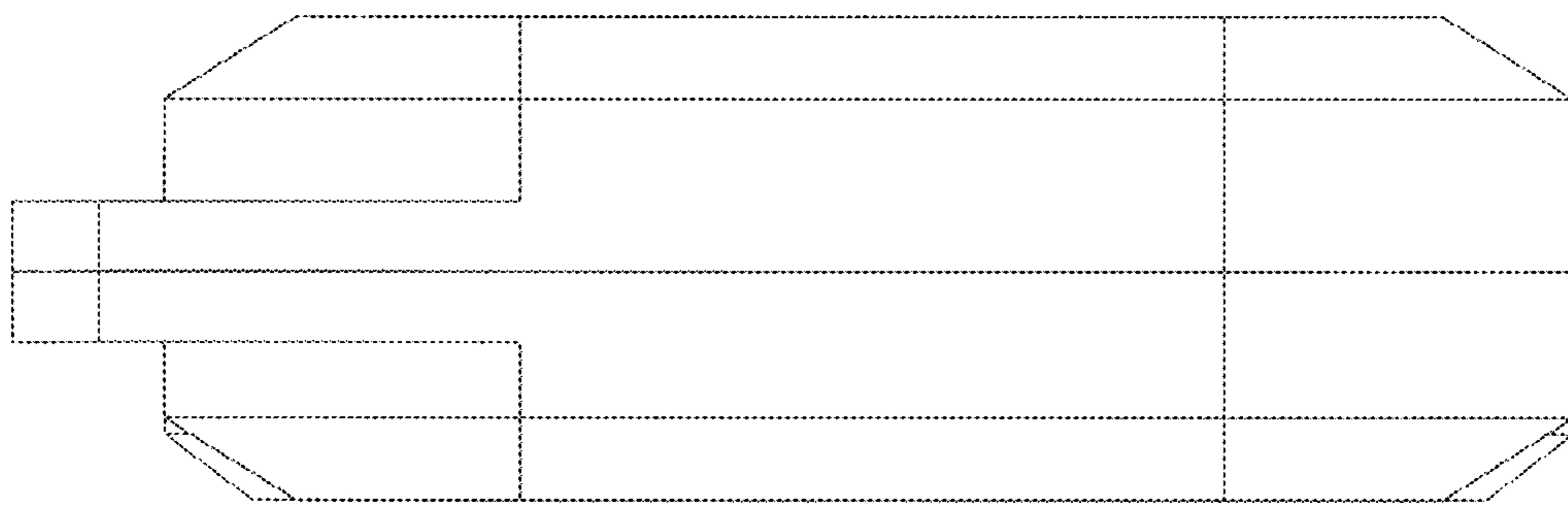


FIG. 43

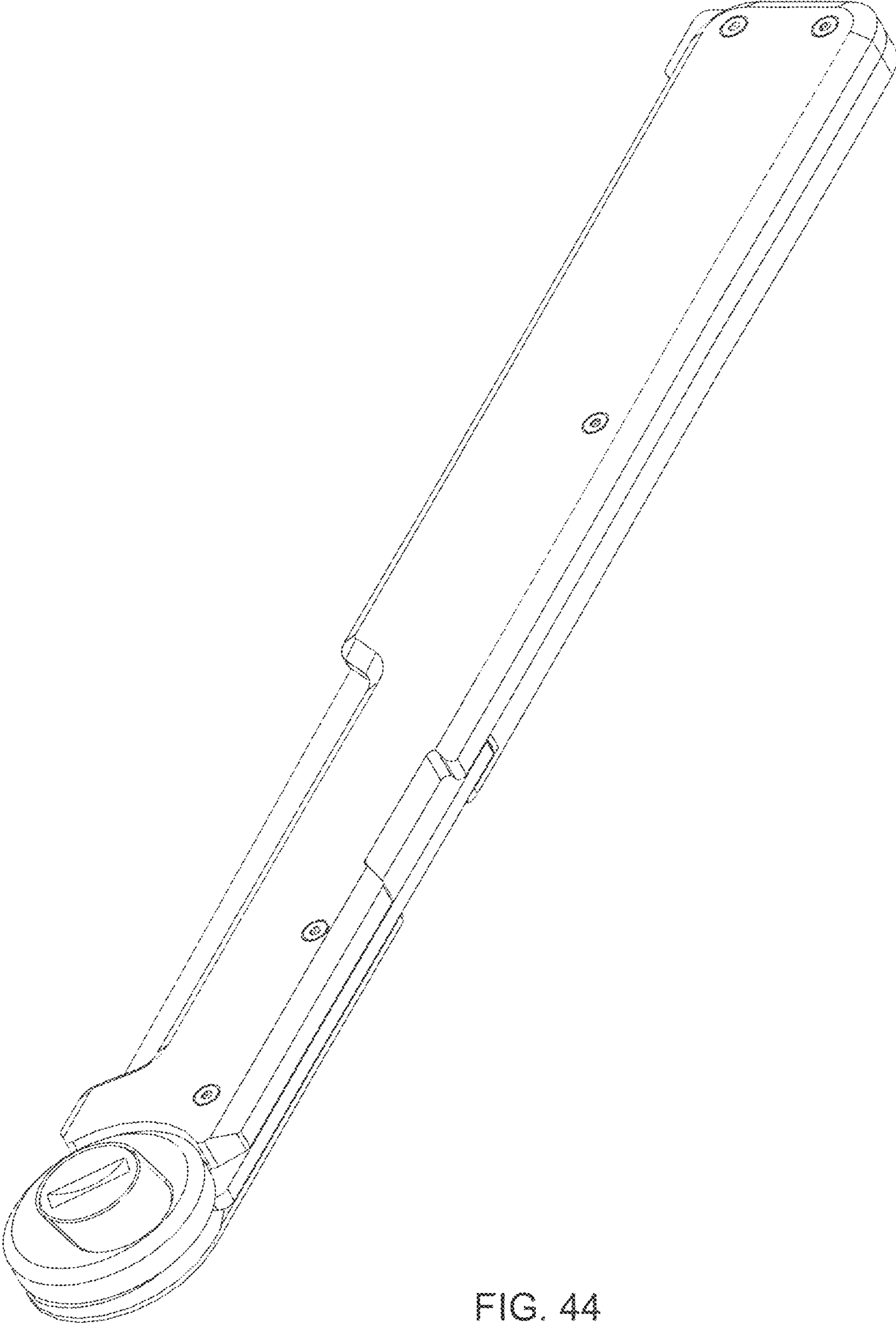


FIG. 44

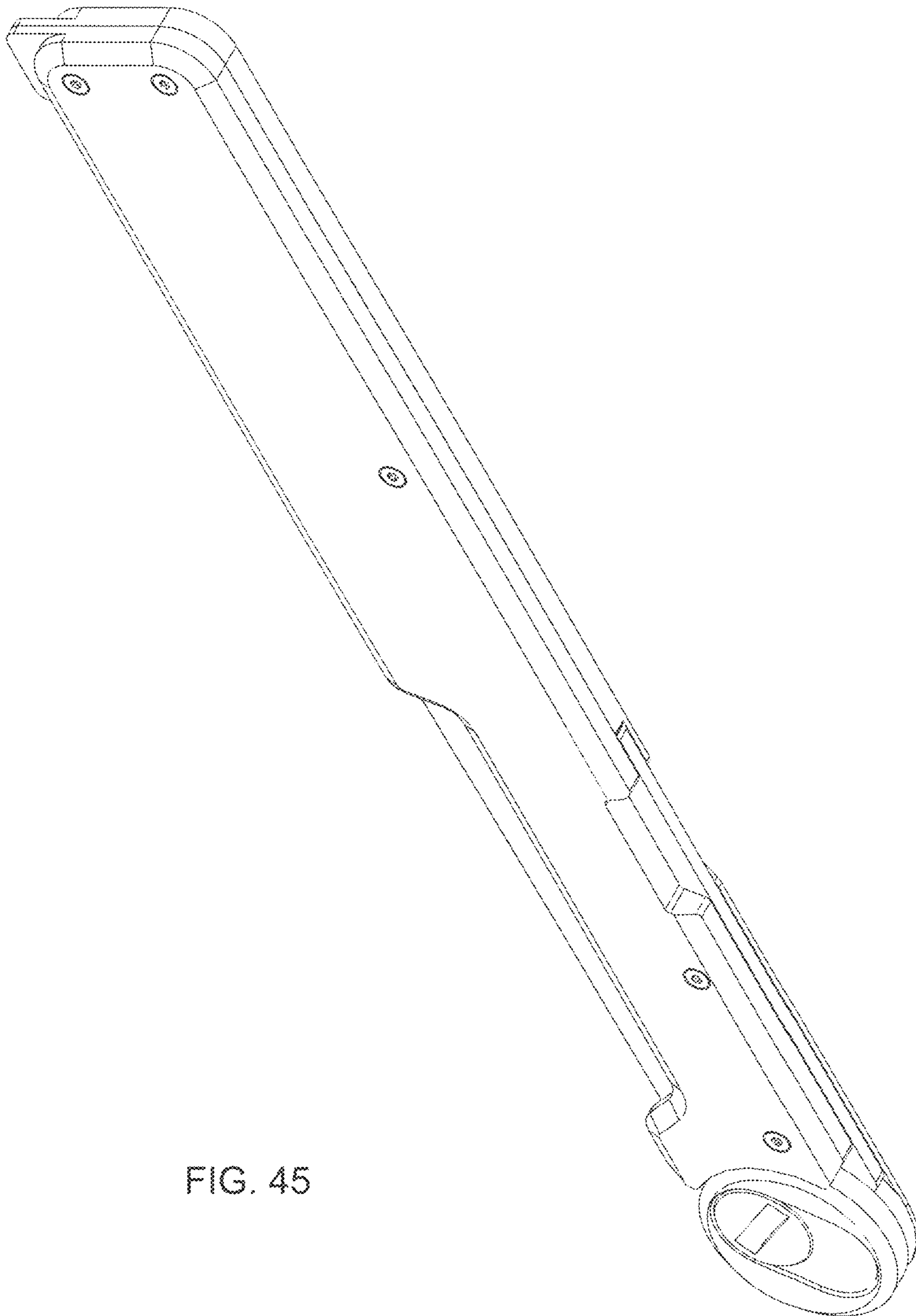


FIG. 45

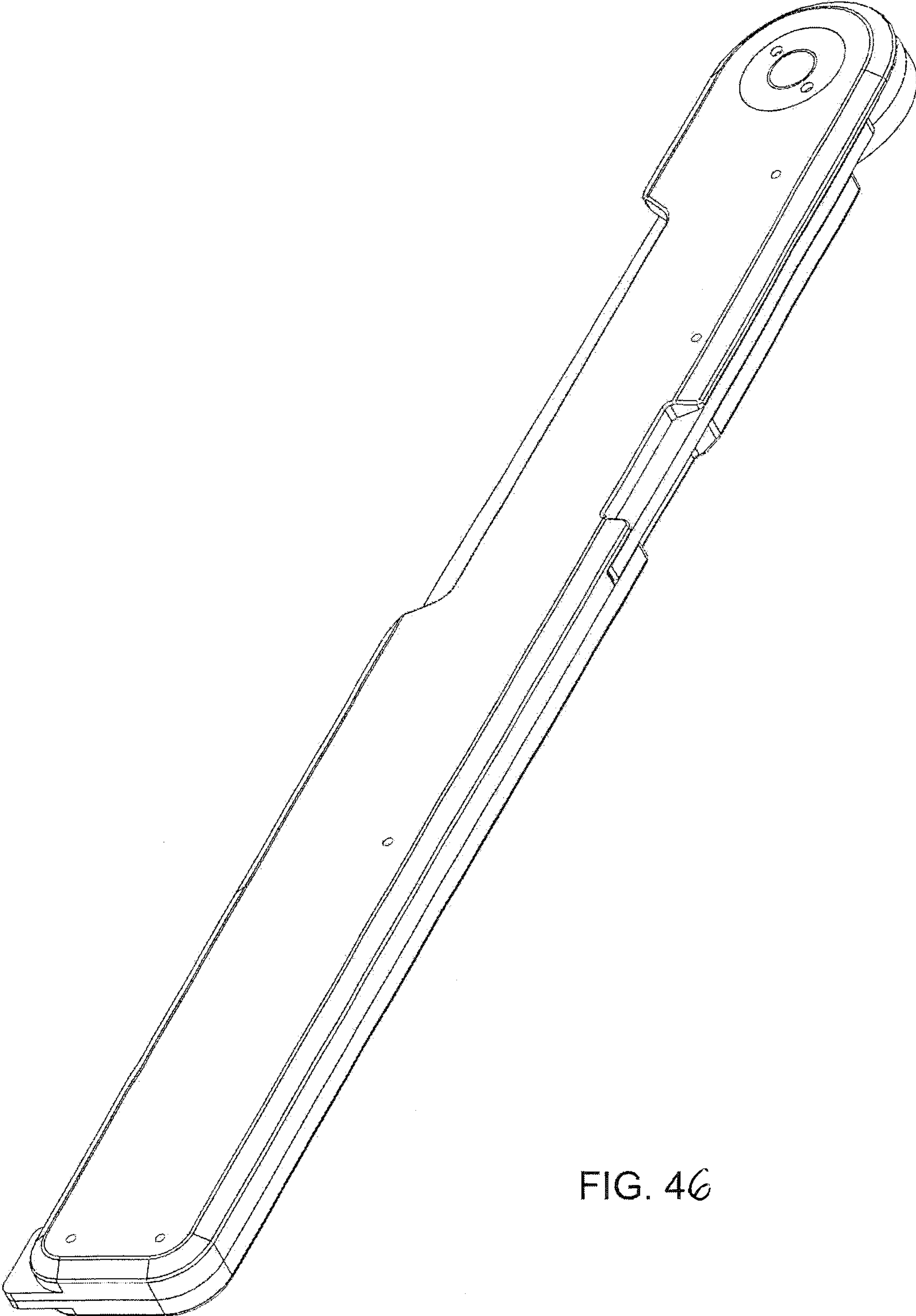


FIG. 46

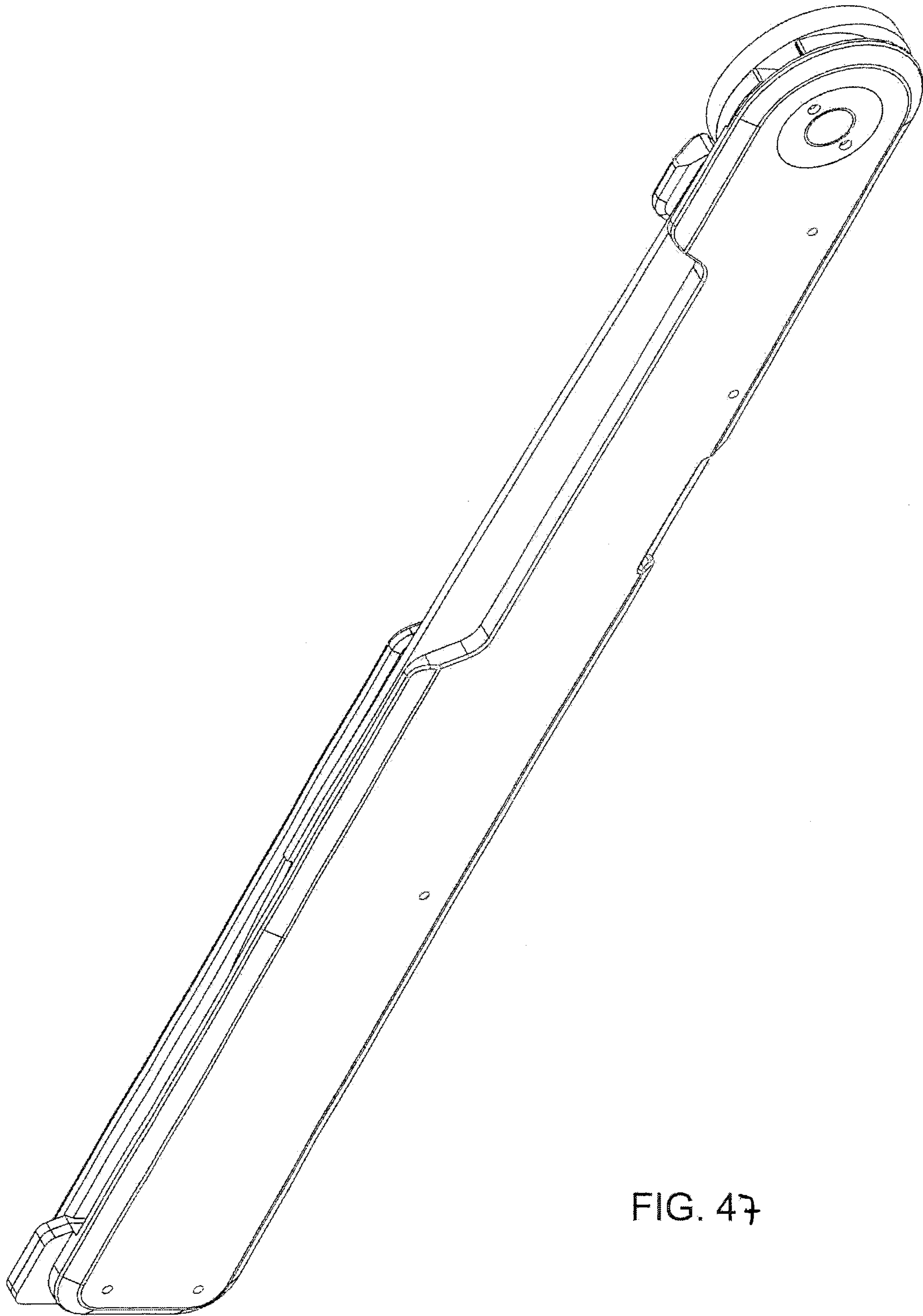


FIG. 47

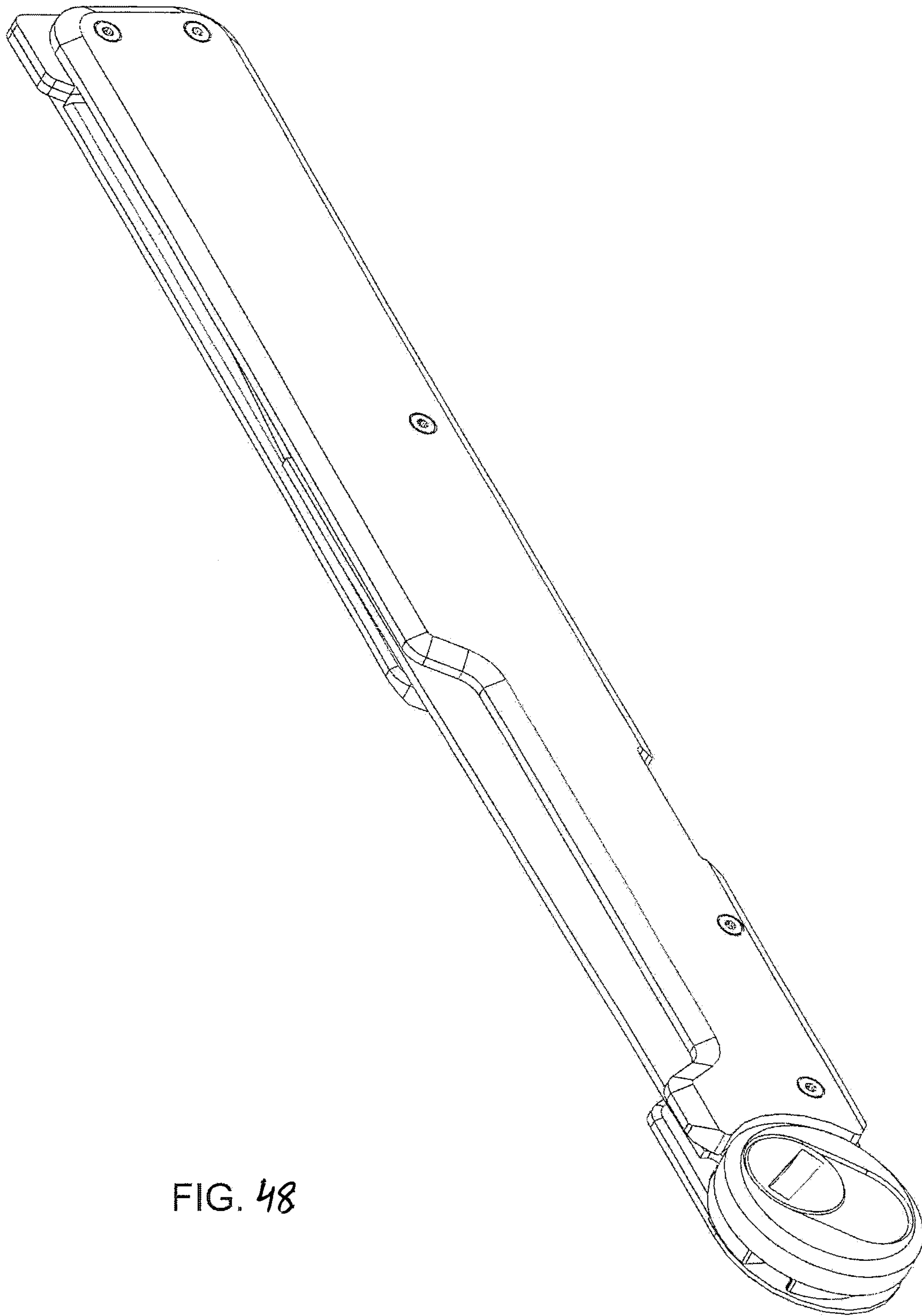


FIG. 48