



US00D929201S

(12) **United States Design Patent**
Ware

(10) **Patent No.:** **US D929,201 S**

(45) **Date of Patent:** **** Aug. 31, 2021**

(54) **NIPPER**

(71) Applicant: **Joseph Ware**, Warren, RI (US)

(72) Inventor: **Joseph Ware**, Warren, RI (US)

(**) Term: **15 Years**

(21) Appl. No.: **29/759,214**

(22) Filed: **Nov. 20, 2020**

Related U.S. Application Data

(62) Division of application No. 29/674,111, filed on Dec. 19, 2018, now Pat. No. Des. 904,848.

(51) **LOC (13) Cl.** **08-03**

(52) **U.S. Cl.**
USPC **D8/98**

(58) **Field of Classification Search**
USPC D8/14, 51, 52, 98, 4; D15/139
CPC B26B 17/00; B26B 17/003; B26B 17/006;
B26B 17/02
See application file for complete search history.

(56) **References Cited**

U.S. PATENT DOCUMENTS

D386,658 S * 11/1997 Jansson D8/52
D610,754 S * 2/2010 White D30/158

D625,979 S * 10/2010 Lai D8/52
D708,029 S * 7/2014 Kleiber, Jr. D8/394
2005/0178008 A1 * 8/2005 Foster F23D 3/16
30/179
2009/0308211 A1 * 12/2009 McBride B25B 7/04
81/342
2010/0236079 A1 * 9/2010 Bush B26B 17/02
30/180

* cited by examiner

Primary Examiner — Philip S Hyder

(74) *Attorney, Agent, or Firm* — Douglas Denninger

(57) **CLAIM**

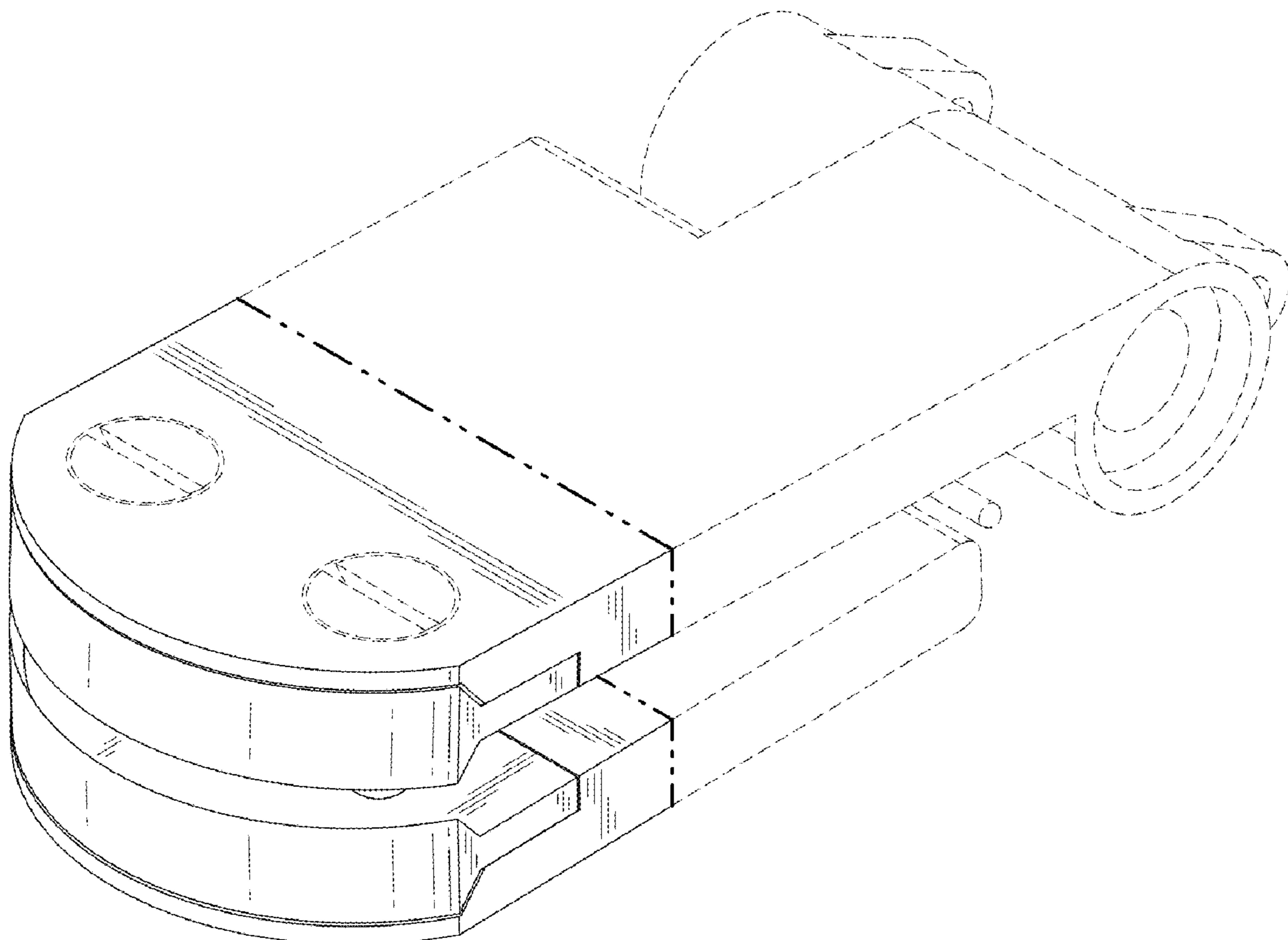
I claim the ornamental design for a nipper, as shown and described.

DESCRIPTION

FIG. 1 is a perspective front upper view of a nipper showing my new design;
FIG. 2 is a perspective rear upper view thereof;
FIGS. 3 and 4 are front and rear elevation views thereof, respectively;
FIGS. 5 and 6 are top plan and bottom plan views thereof, respectively; and,
FIGS. 7 and 8 are left and right side views thereof, respectively.

The broken lines shown represent unclaimed subject matter and form no part of the claimed design.

1 Claim, 4 Drawing Sheets



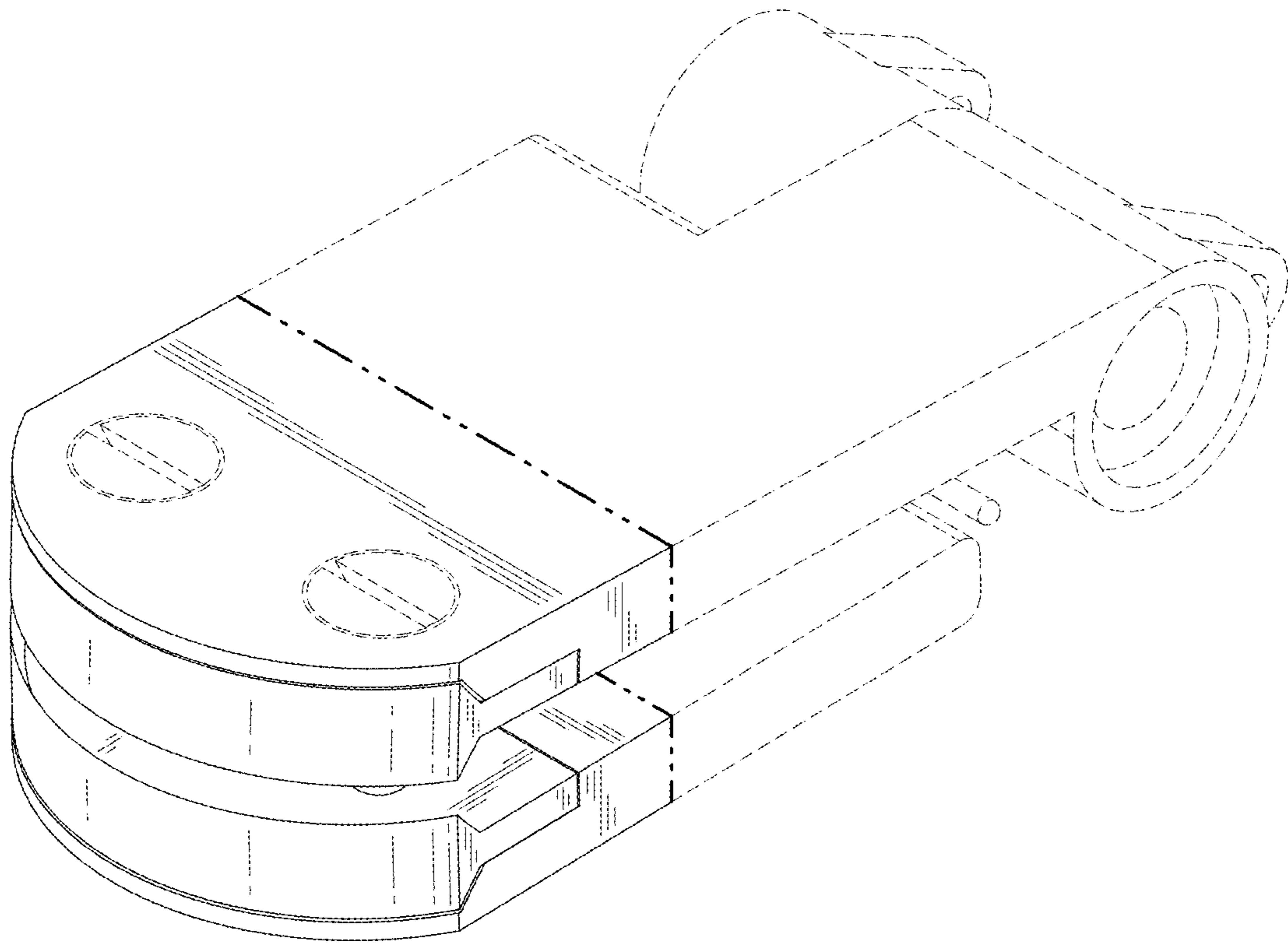


FIG. 1

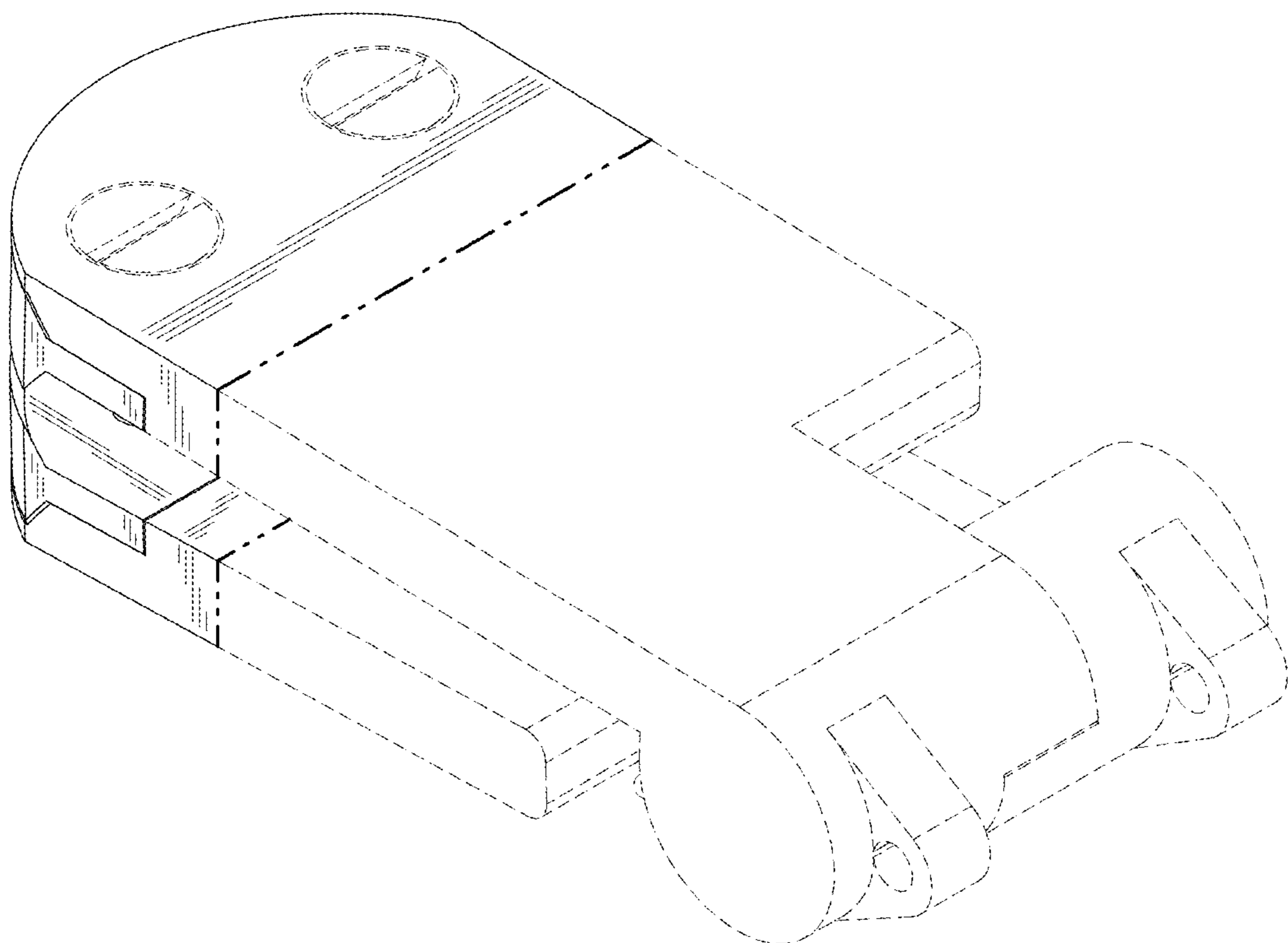


FIG. 2

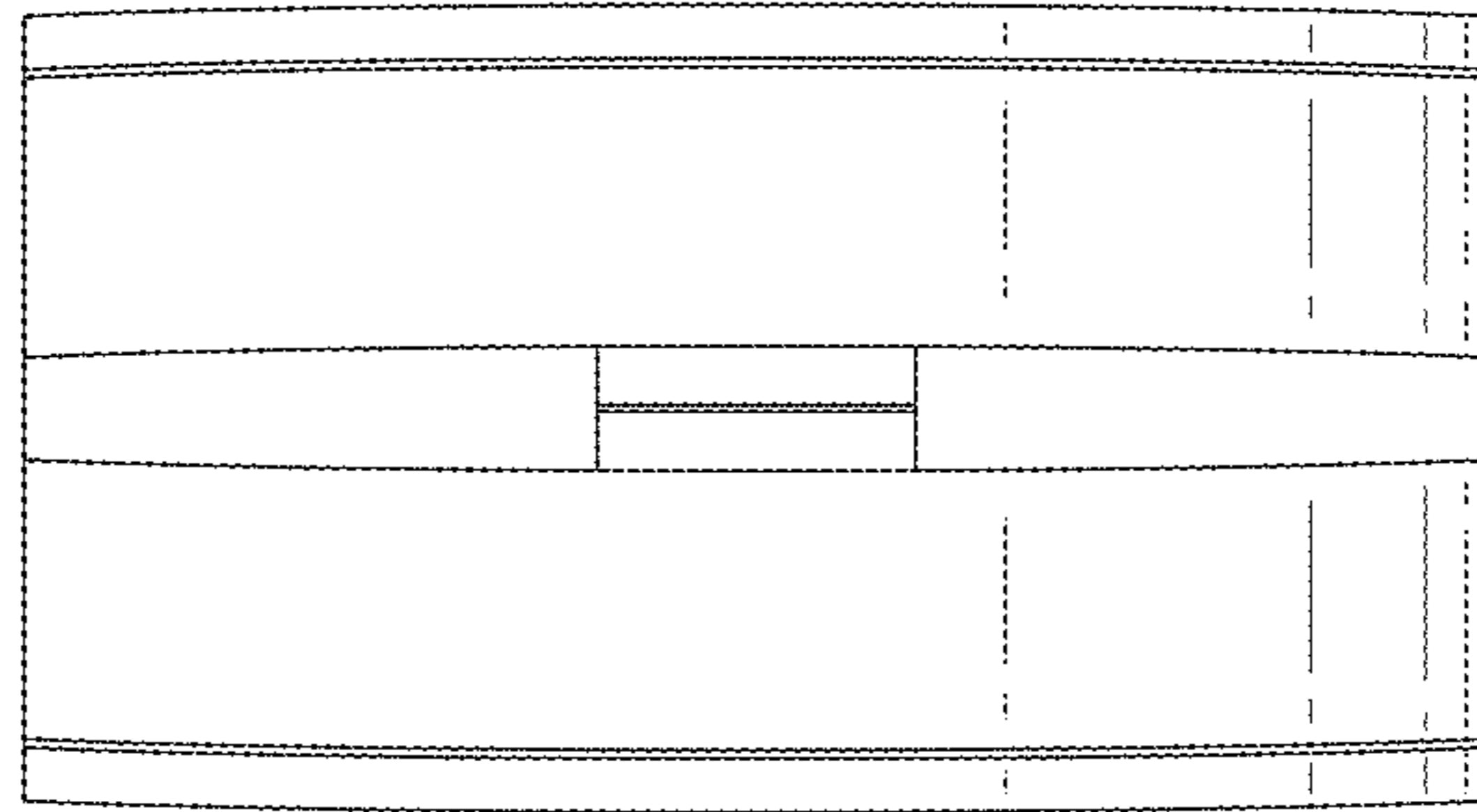


FIG. 3

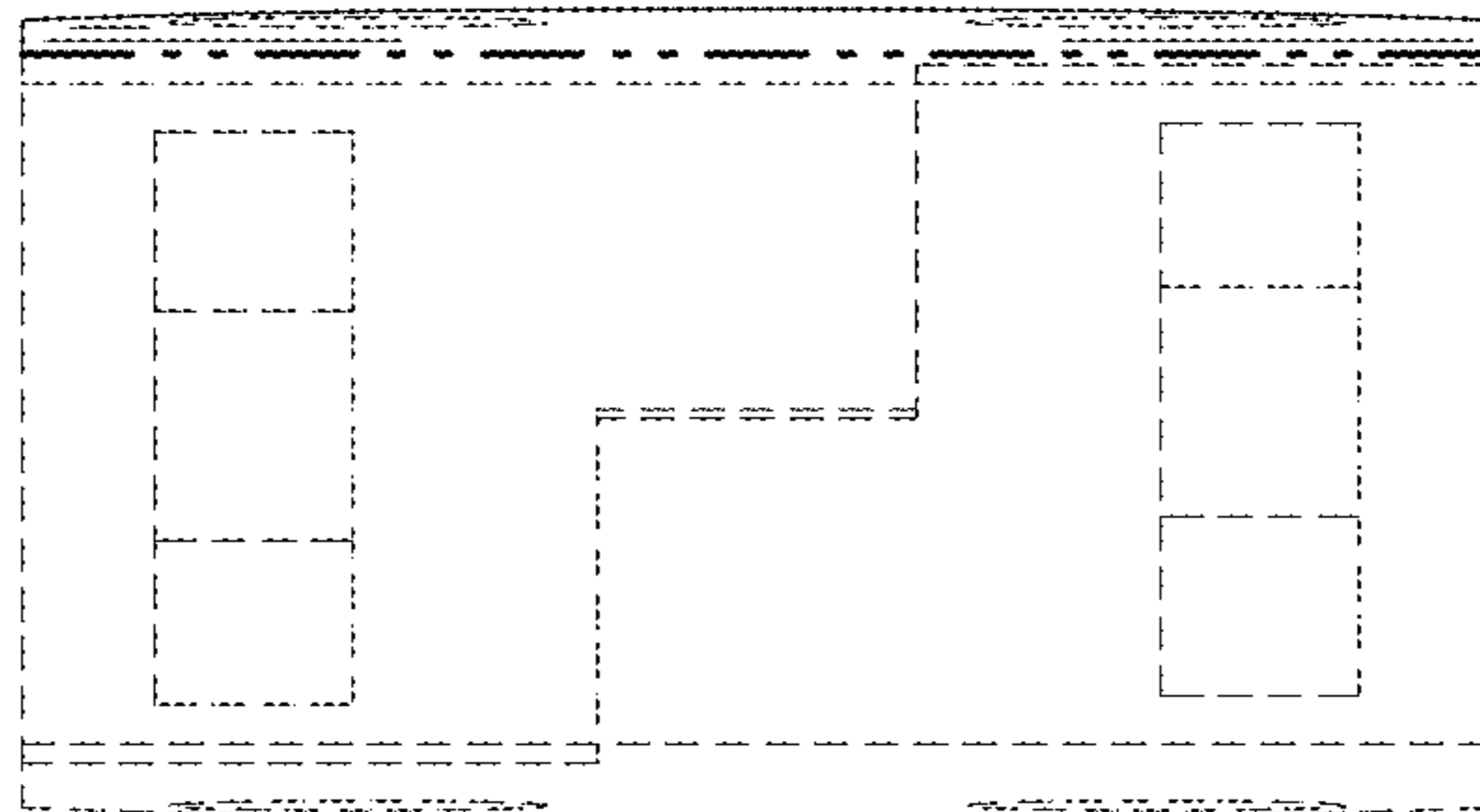


FIG. 4

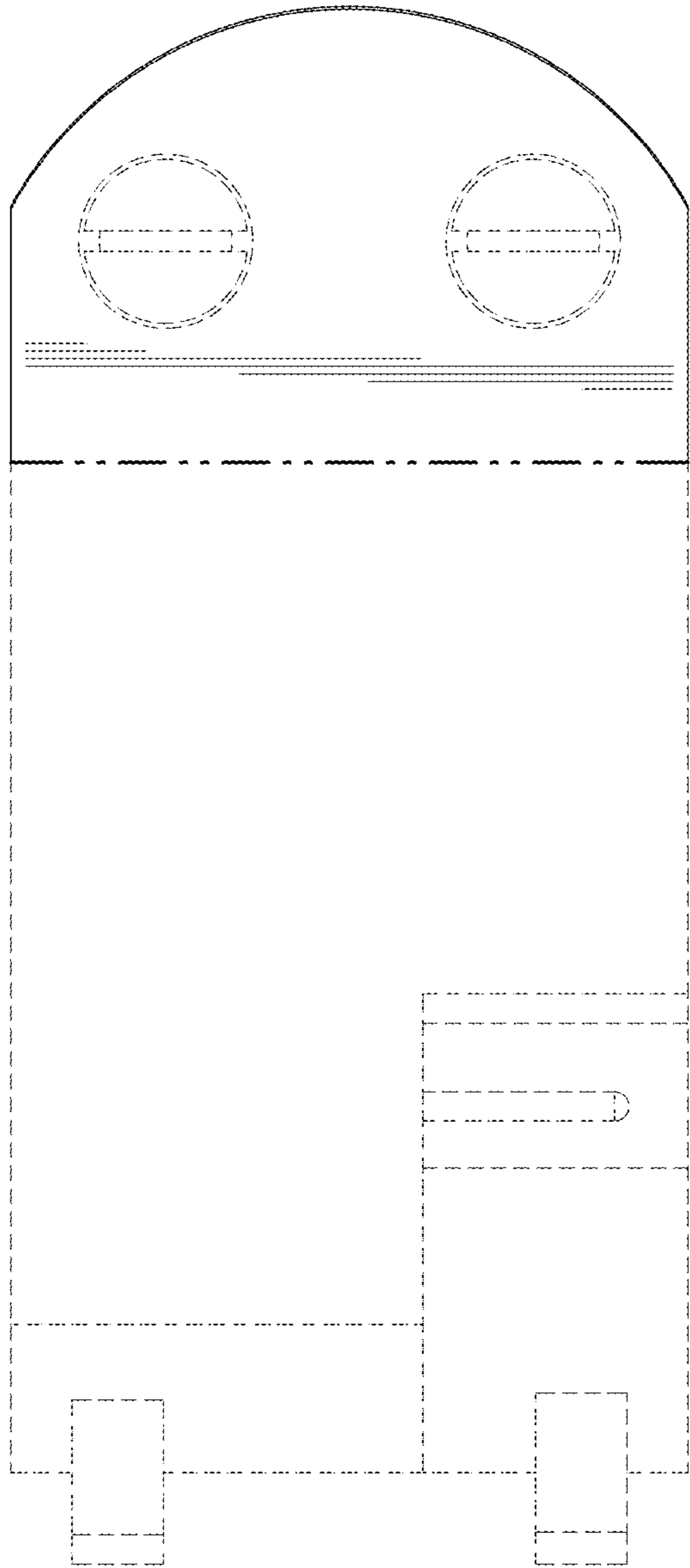


FIG. 5

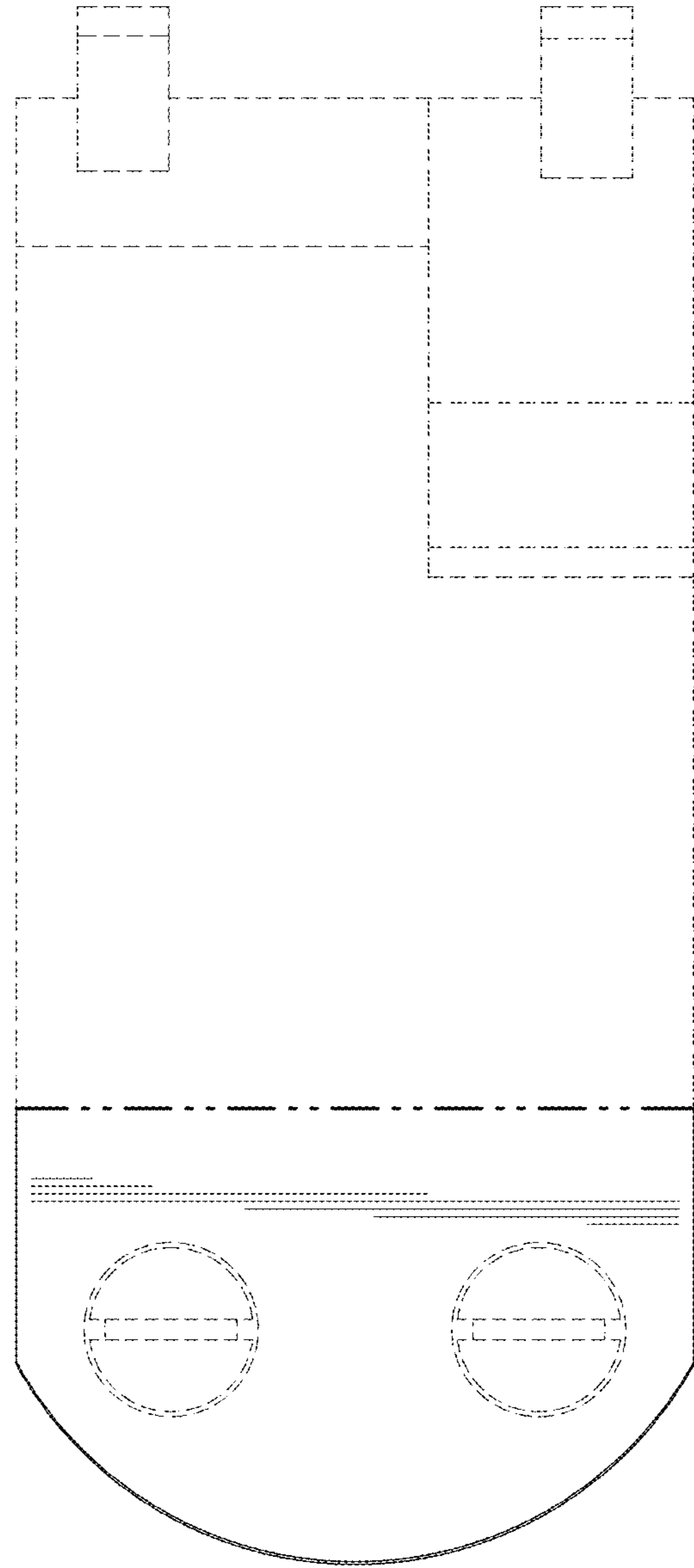


FIG. 6

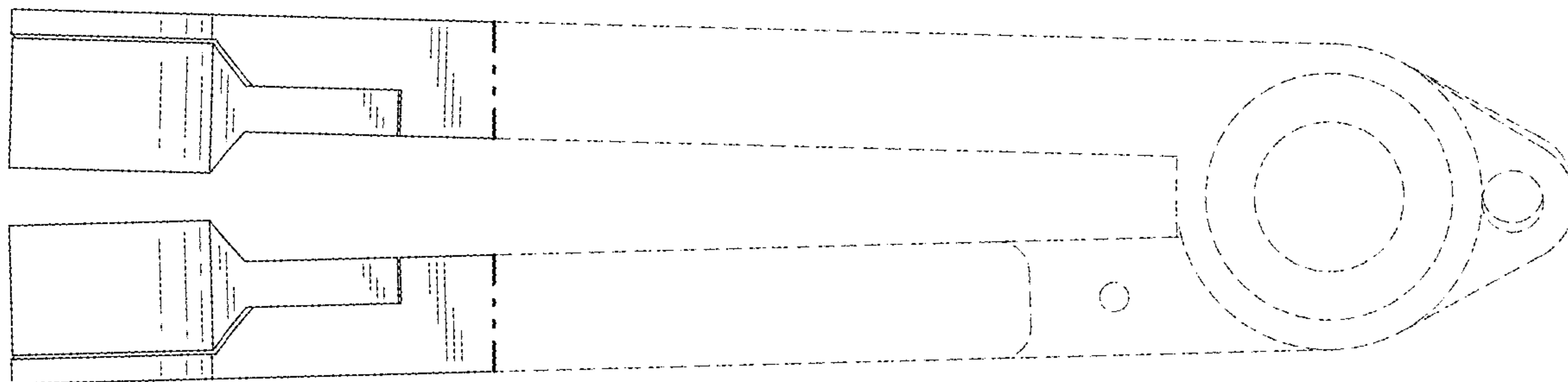


FIG. 7



FIG. 8