



US00D929200S

(12) **United States Design Patent**
Huagn

(10) **Patent No.:** **US D929,200 S**

(45) **Date of Patent:** **** Aug. 31, 2021**

(54) **KNIFE SHARPENER**

(71) Applicant: **JIANGYIN DIAMOND TOOLS CO., LTD.**, Jiangsu (CN)

(72) Inventor: **Dongchen Huagn**, Jiangsu (CN)

(73) Assignee: **JIANGYIN DIAMOND TOOLS CO., LTD.**, Jiangsu (CN)

(**) Term: **15 Years**

(21) Appl. No.: **29/732,865**

(22) Filed: **Apr. 28, 2020**

(51) **LOC (13) Cl.** **08-05**

(52) **U.S. Cl.**
USPC **D8/93**

(58) **Field of Classification Search**
USPC D8/63, 90, 91, 92, 93
CPC B24B 3/54; B24B 3/36; B24B 3/58; B24B 3/00; B24B 23/08; B24B 15/00; B24B 15/06; B24B 15/063; B24B 15/08
See application file for complete search history.

(56) **References Cited**

U.S. PATENT DOCUMENTS

D342,003 S * 12/1993 Friel D8/63
5,404,679 A * 4/1995 Friel B24B 3/54
451/312

D470,382 S * 2/2003 Kurz D8/91
D624,799 S * 10/2010 De Bretton Gordon D8/93
D626,397 S * 11/2010 Smith D8/93
D629,273 S * 12/2010 Friel, Sr. D8/93
D640,909 S * 7/2011 Stutz D8/93
D680,846 S * 4/2013 Smith D8/93
D763,650 S * 8/2016 Severinson D8/93
D876,199 S * 2/2020 Zhu D8/93
D884,450 S * 5/2020 Zemel D8/93

* cited by examiner

Primary Examiner — Philip S Hyder

(74) *Attorney, Agent, or Firm* — Runit Ranjit Kanakia

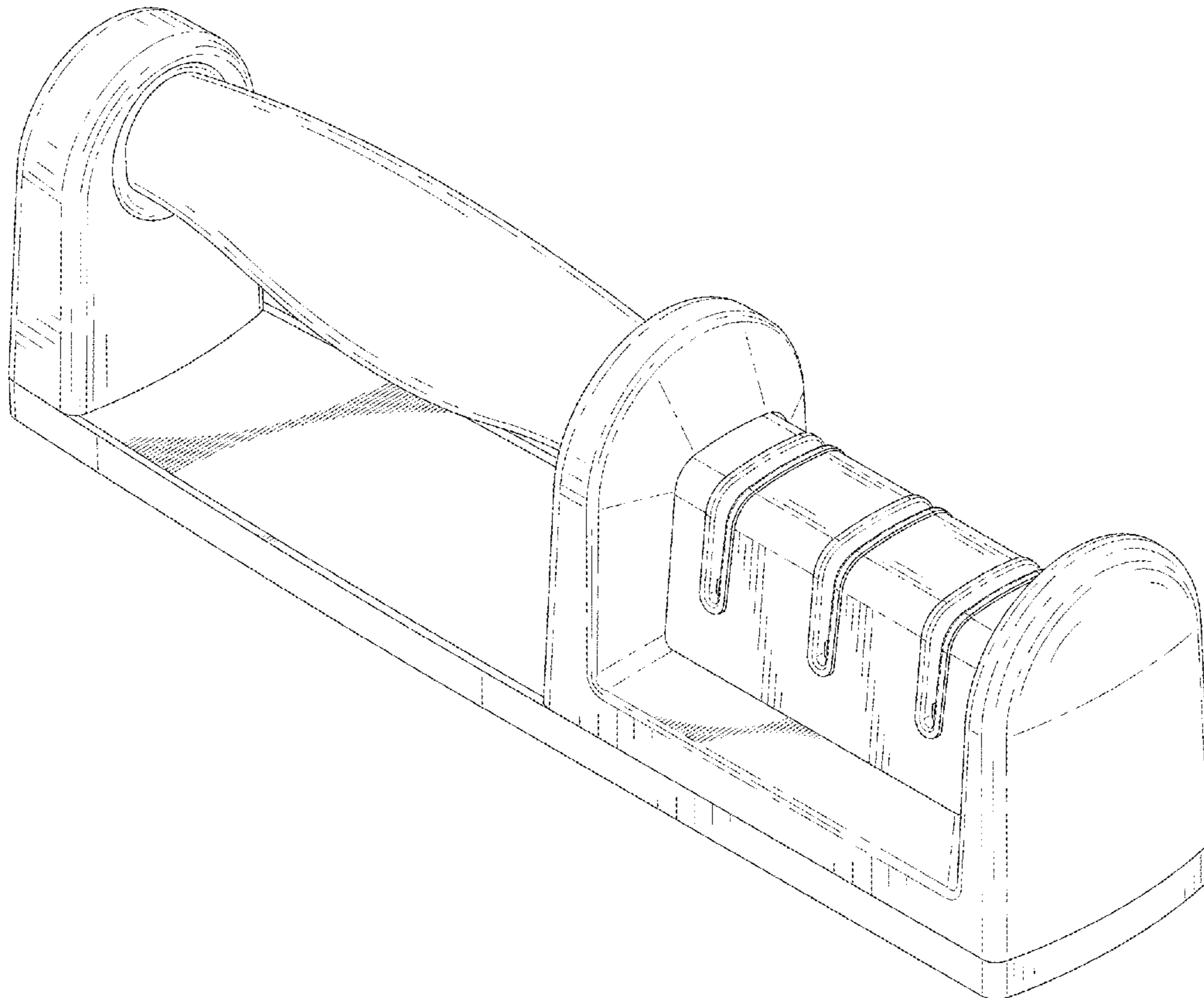
(57) **CLAIM**

The ornamental design for a knife sharpener, as shown and described.

DESCRIPTION

FIG. 1 is a front elevational view of a knife sharpener showing my new design;
FIG. 2 is a rear elevational view thereof;
FIG. 3 is a left side view thereof;
FIG. 4 is a right side view thereof;
FIG. 5 is a top plan view thereof;
FIG. 6 is a bottom plan view thereof; and,
FIG. 7 is a perspective view thereof.
The broken lines depict portions of the knife sharpener in which the design is embodied that are not considered part of the claimed design.

1 Claim, 6 Drawing Sheets



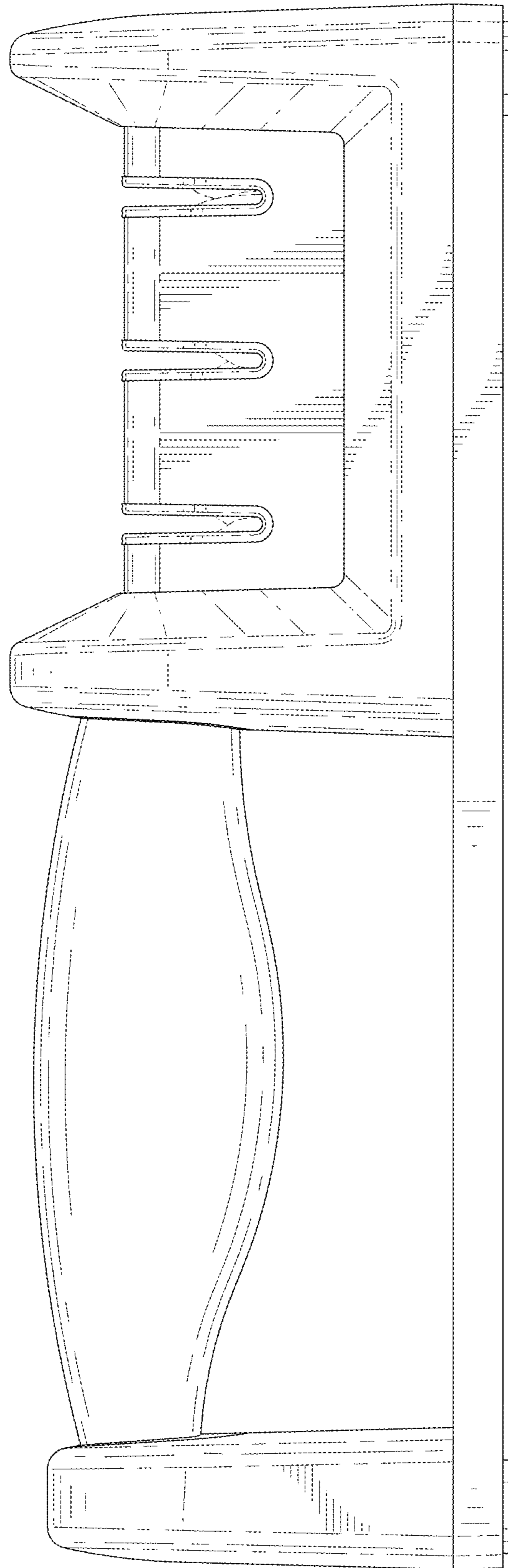


Fig. 1

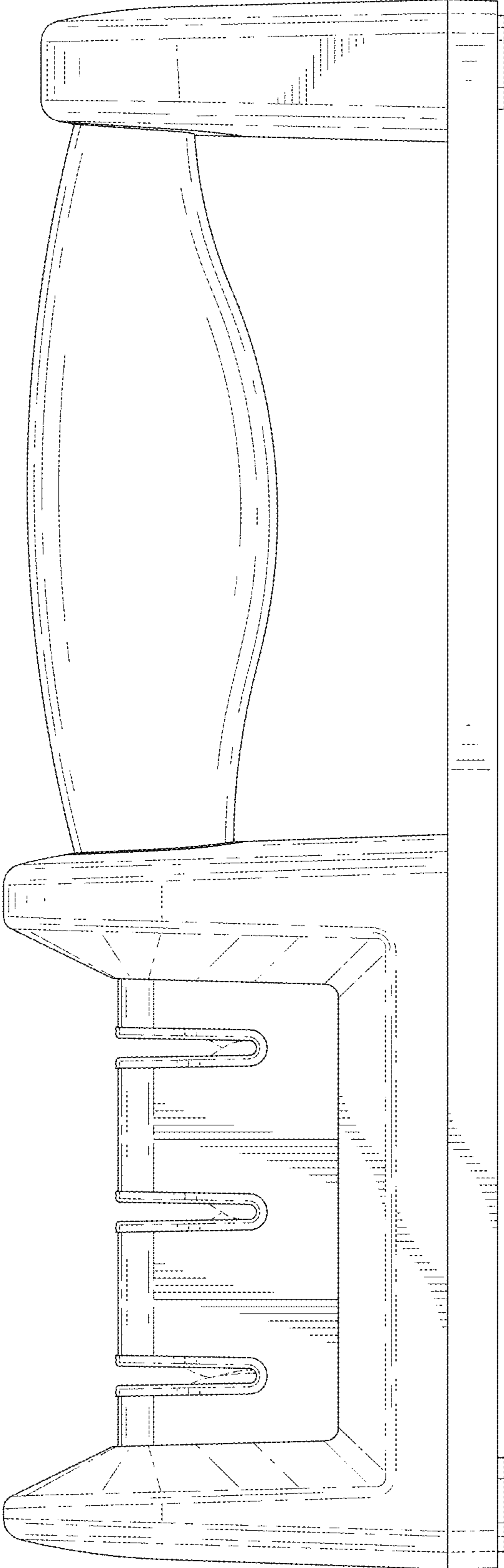


Fig. 2

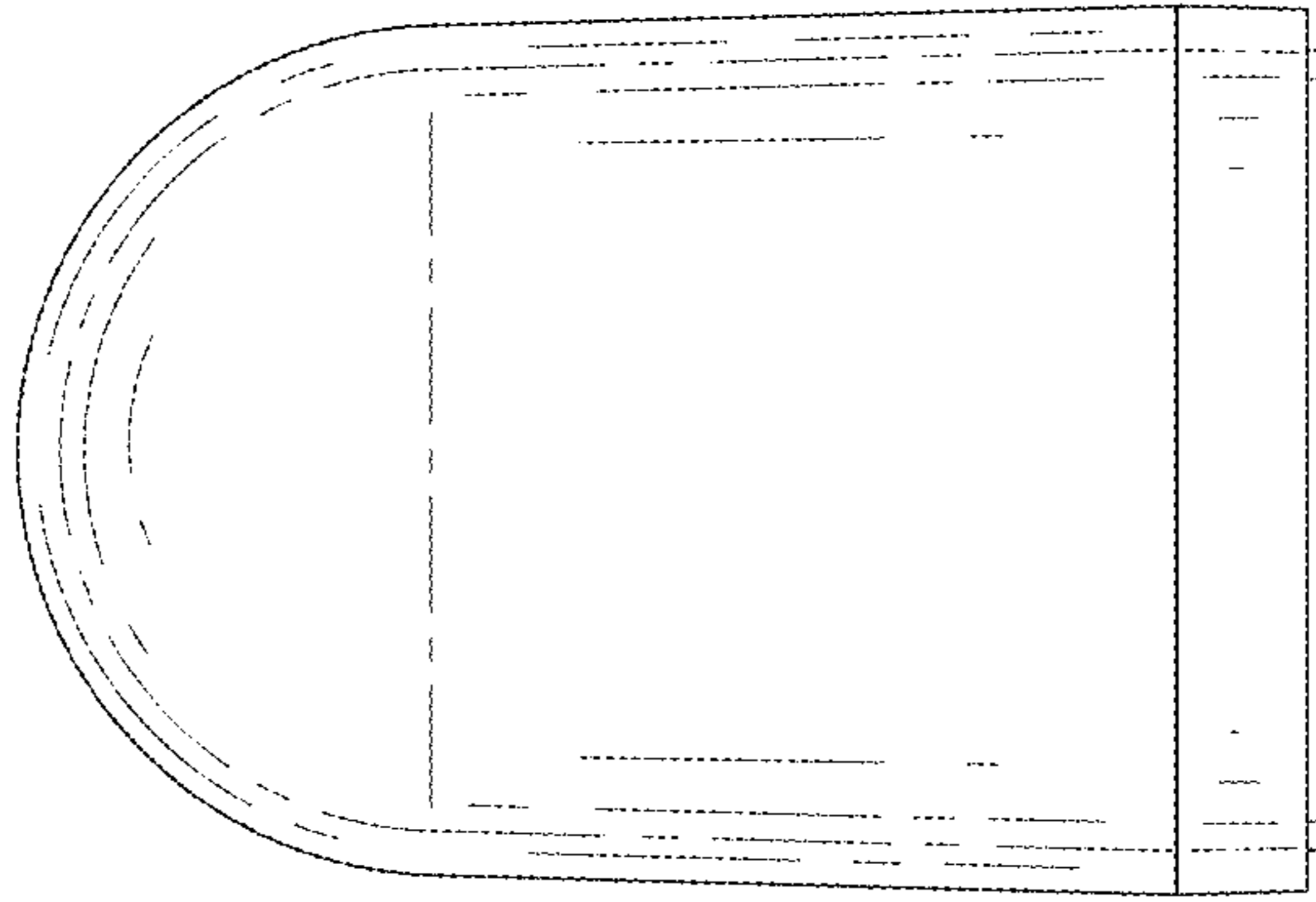


Fig. 4

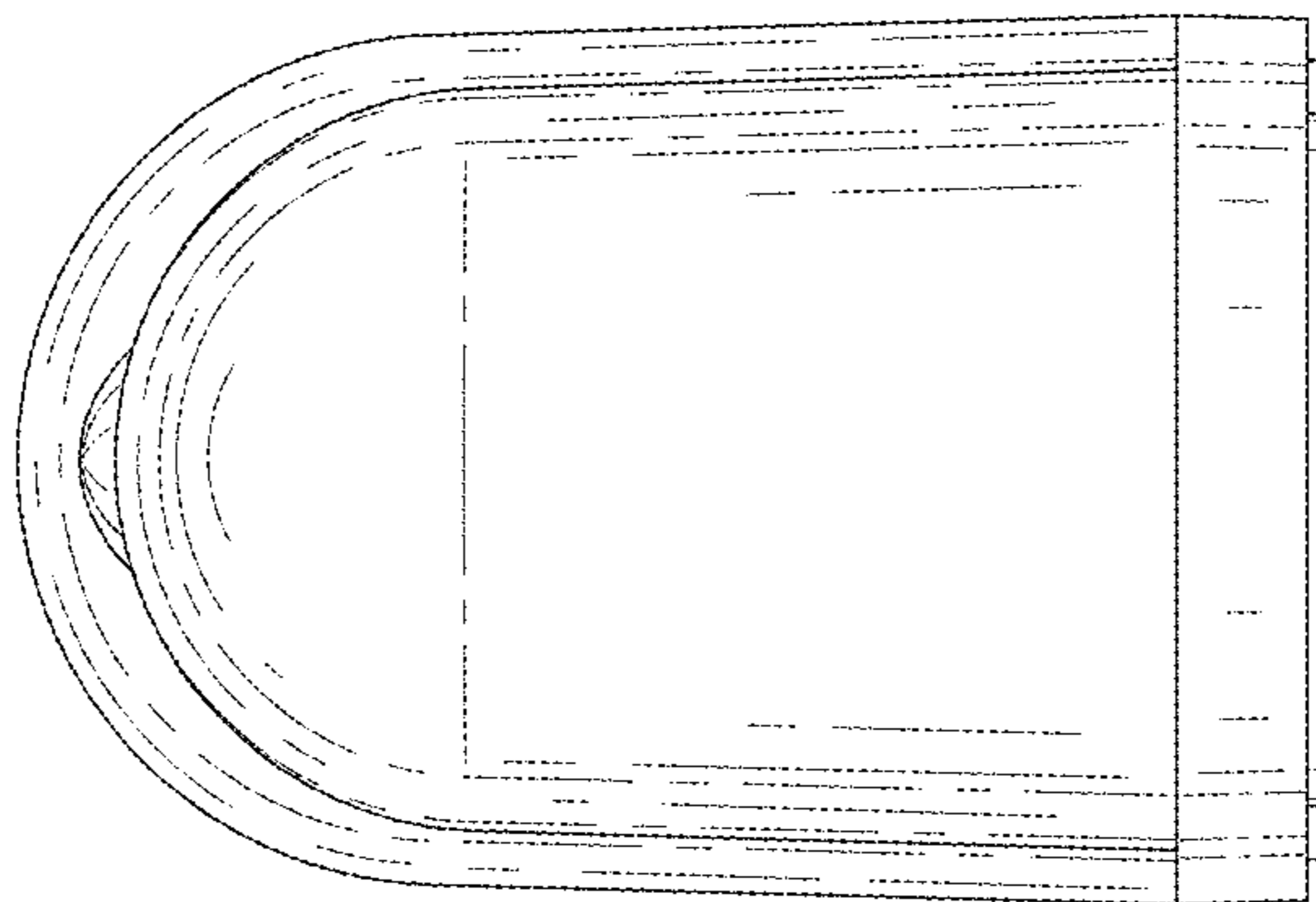


Fig. 3

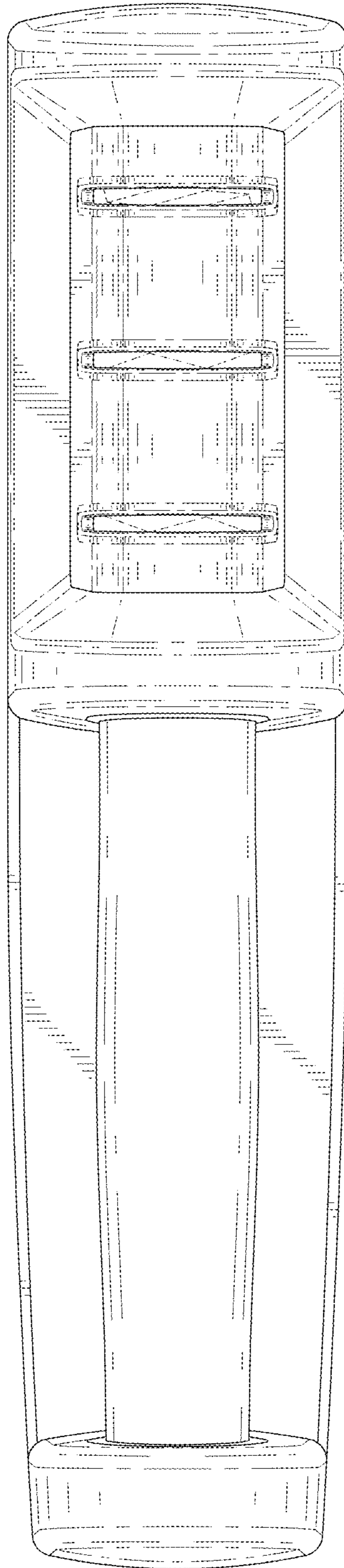


Fig. 5

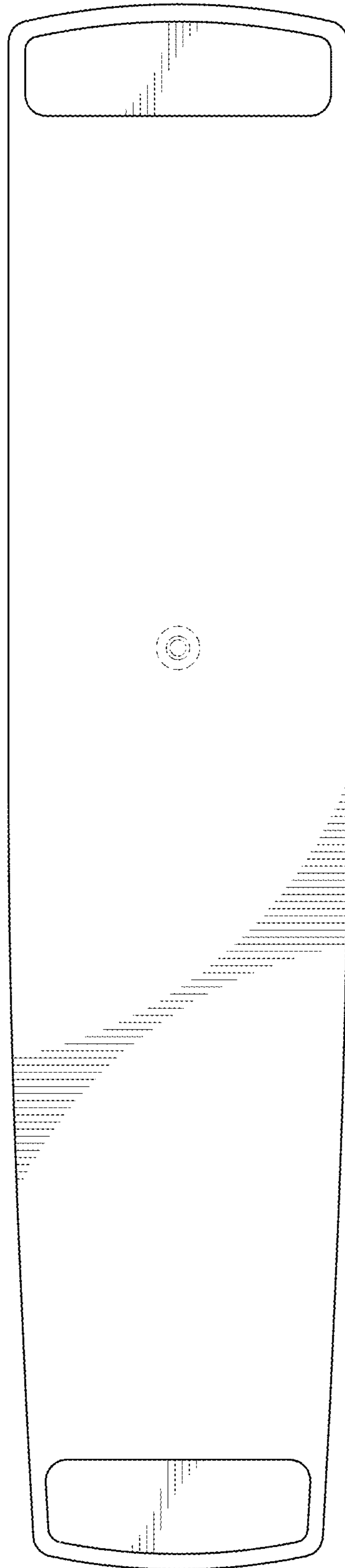


Fig. 6

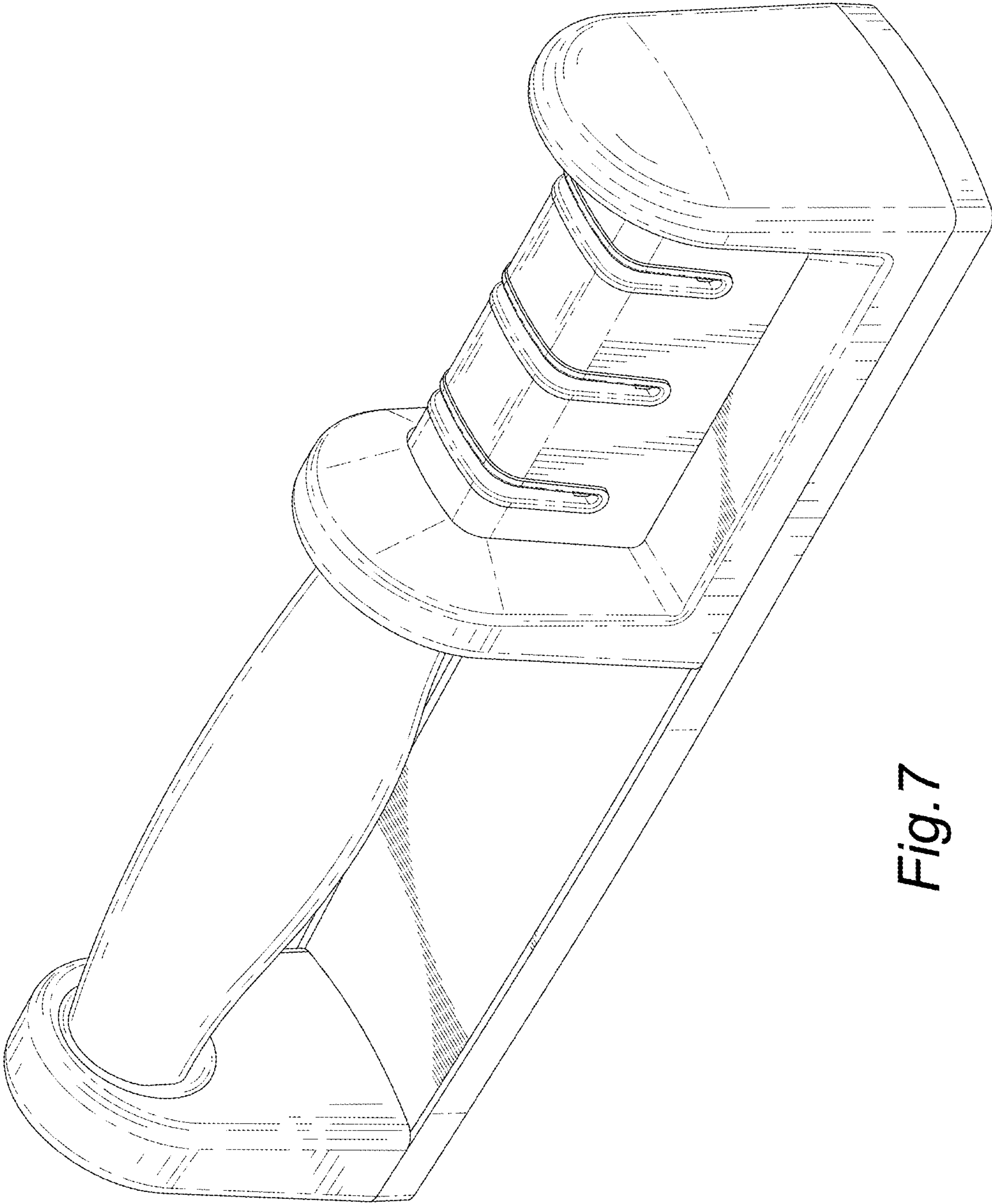


Fig. 7