



US00D929198S

(12) **United States Design Patent**
Gysland

(10) **Patent No.:** **US D929,198 S**

(45) **Date of Patent:** **** Aug. 31, 2021**

(54) **TUNGSTEN GRINDER**

(71) Applicant: **David Gysland**, Lewiston, MN (US)

(72) Inventor: **David Gysland**, Lewiston, MN (US)

(**) Term: **15 Years**

(21) Appl. No.: **29/705,827**

(22) Filed: **Sep. 16, 2019**

(51) **LOC (13) Cl.** **08-05**

(52) **U.S. Cl.**

USPC **D8/62; D8/70; D15/122**

(58) **Field of Classification Search**

USPC D13/118, 133, 162, 182, 184, 199;
D15/124, 125, 133, 144.1, 144.2, 150,
D15/199; D23/213; D24/232;
D8/61-71, 90, 363; D32/18, 21, 31

CPC H01L 21/0226; H01L 21/02263; H01L
21/02266; H01L 21/02269; H01L
21/02271; H01L 21/67742; H01L
2221/68363; H01L 2224/75186; H01L
2224/76186; H01J 37/32633; H01J
37/32477; H01J 37/32623; H01J
37/32642; B24B 3/36

See application file for complete search history.

(56) **References Cited**

U.S. PATENT DOCUMENTS

D649,126 S * 11/2011 Takahashi D13/182
D654,033 S * 2/2012 Root D13/182
D697,038 S * 1/2014 Matsumoto D13/182

D762,090 S * 7/2016 Grumbacher D7/679
D762,091 S * 7/2016 Grumbacher D7/679
D853,803 S * 7/2019 Zhang D7/679
D864,690 S * 10/2019 Byrum, III D8/70
D872,037 S * 1/2020 Okajima D13/182
D887,633 S * 6/2020 Crowley D27/195
D898,786 S * 10/2020 Chae D15/140

* cited by examiner

Primary Examiner — Michael C Stout

Assistant Examiner — Fritzgerald L Butac

(74) *Attorney, Agent, or Firm* — Mitchell A. Rossman;
Terra Nova Patent Law, PLLC

(57) **CLAIM**

The ornamental design for a tungsten grinder, as shown and described.

DESCRIPTION

FIG. 1 is a perspective view of the design of the present invention.

FIG. 2 is a front view of the design of the present invention.

FIG. 3 is a rear view of the design of the present invention.

FIG. 4 is a top view of the design of the present invention.

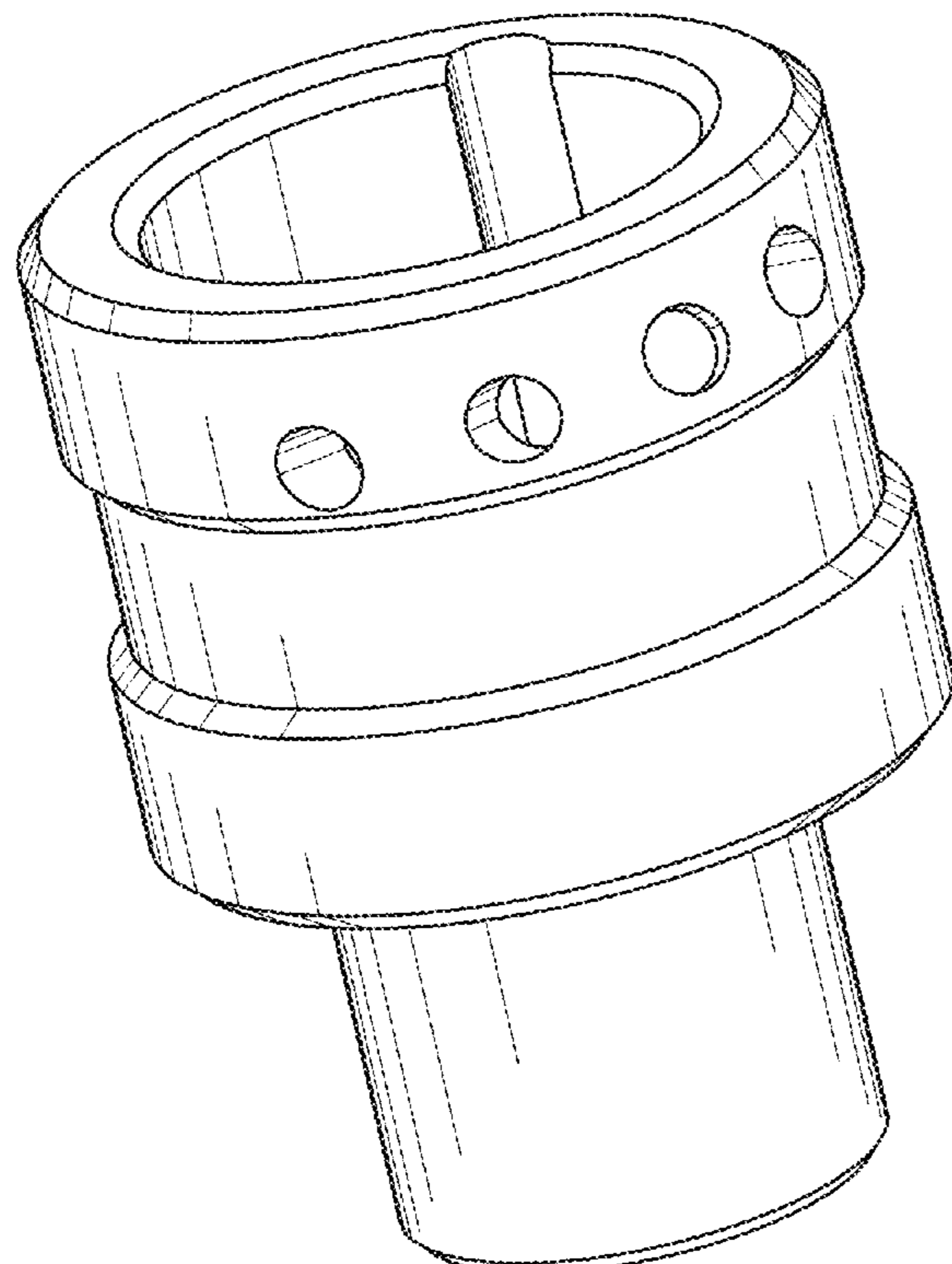
FIG. 5 is a bottom view of the design of the present invention.

FIG. 6 is a right-side view of the design of the present invention; and,

FIG. 7 is a left-side view of the design of the present invention.

The broken lines show portions of a tungsten grinder which form no part of the claimed design.

1 Claim, 6 Drawing Sheets



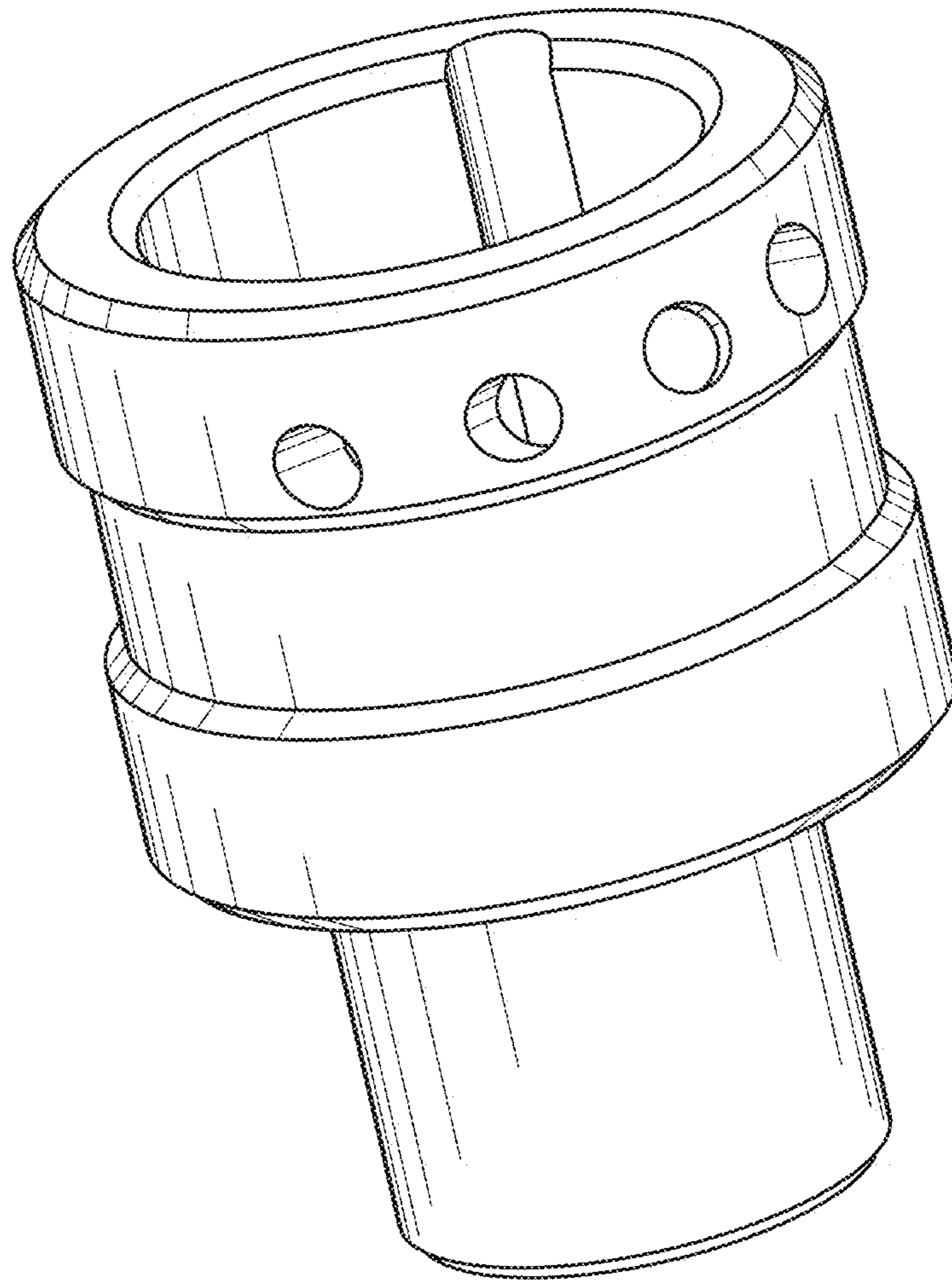


FIG. 1

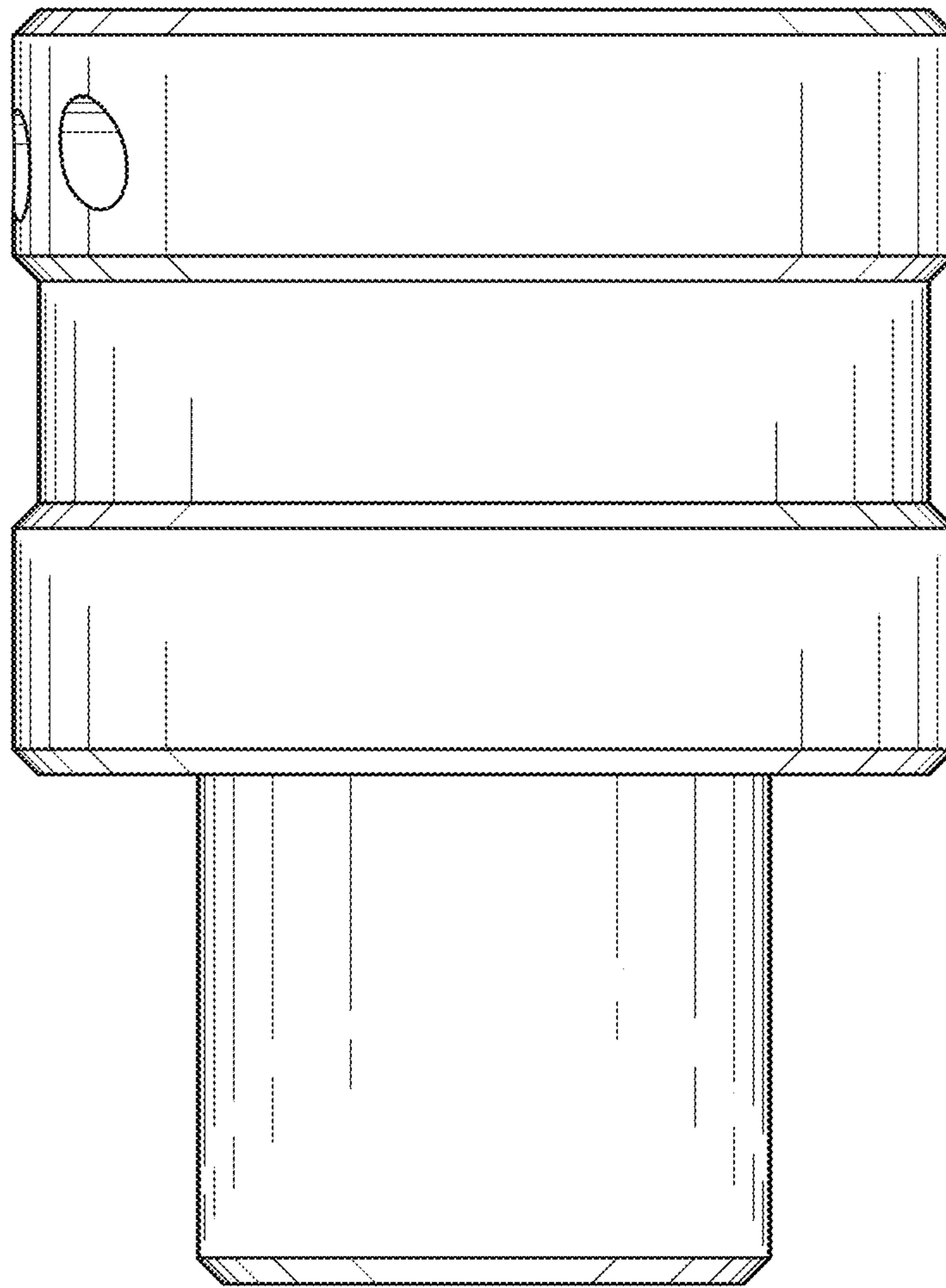


FIG. 2

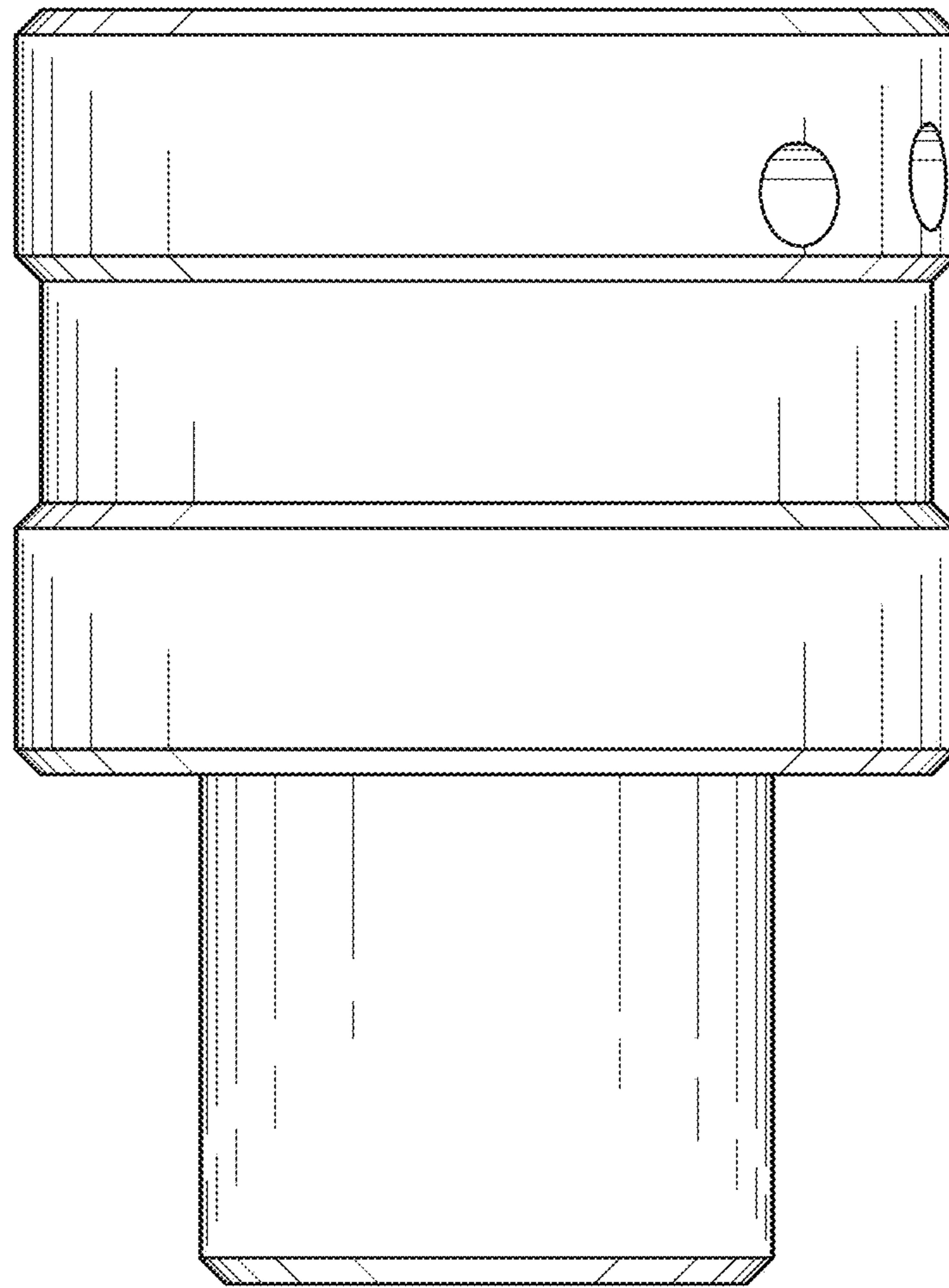


FIG. 3

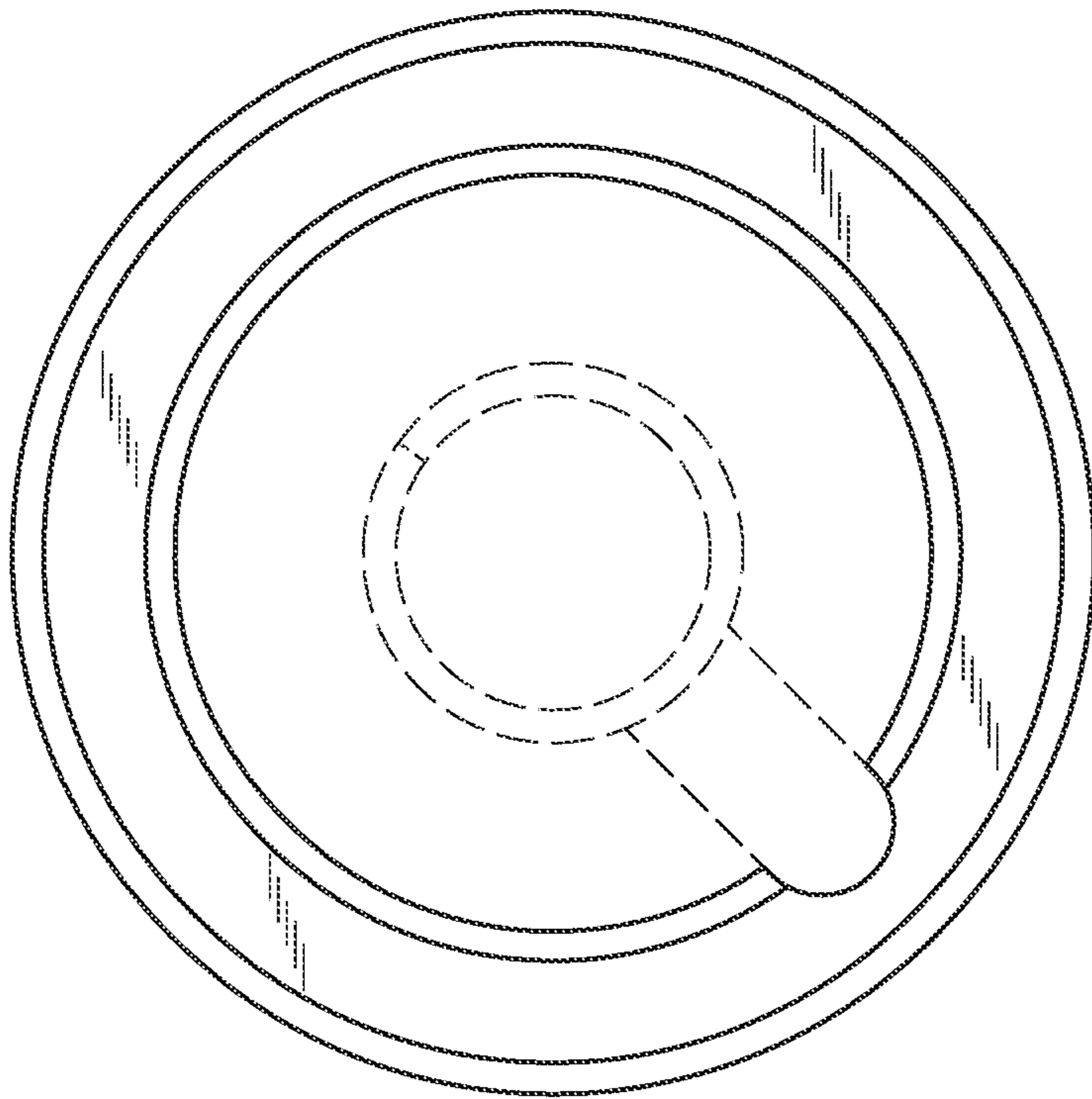


FIG. 4

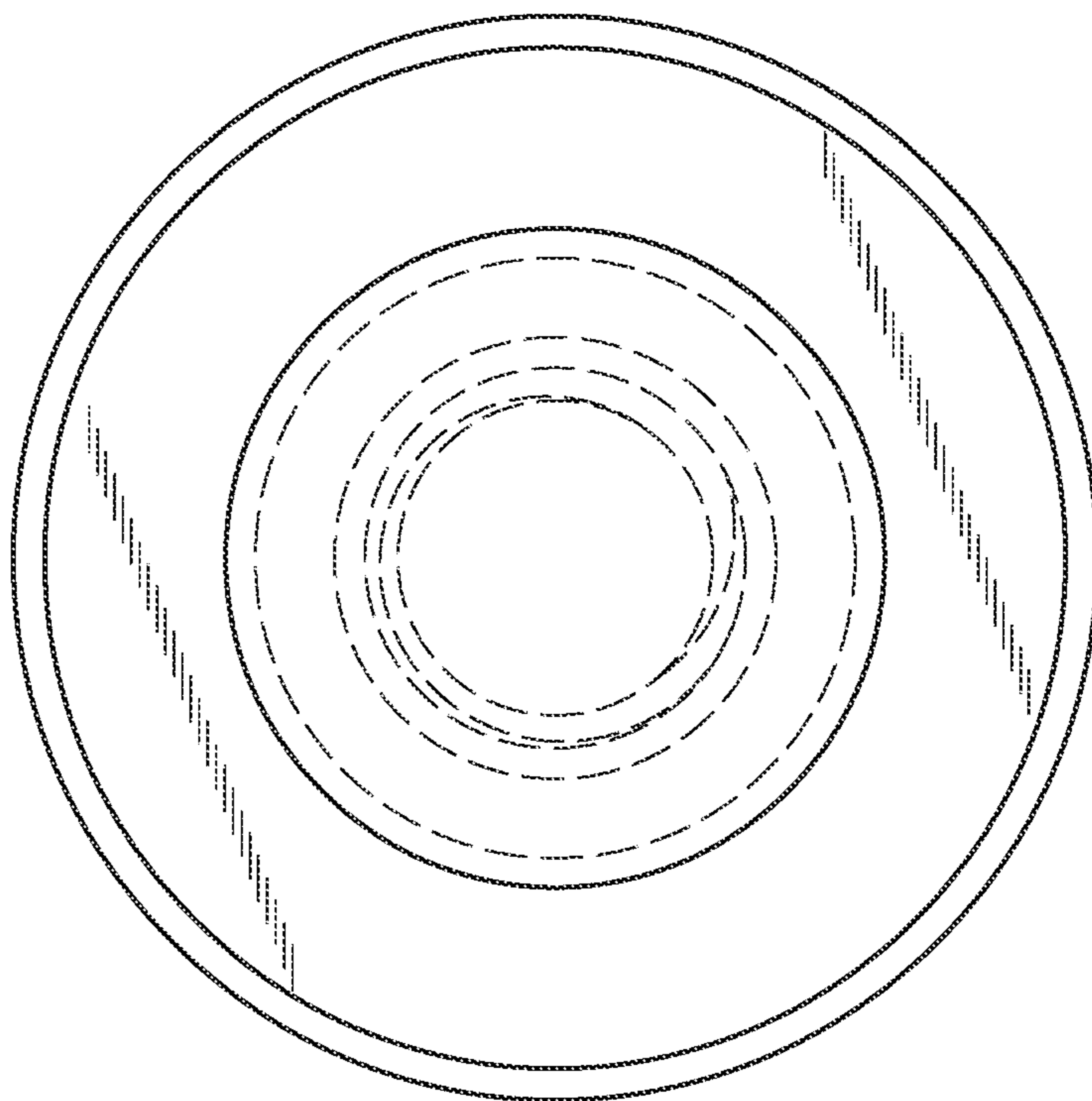


FIG. 5

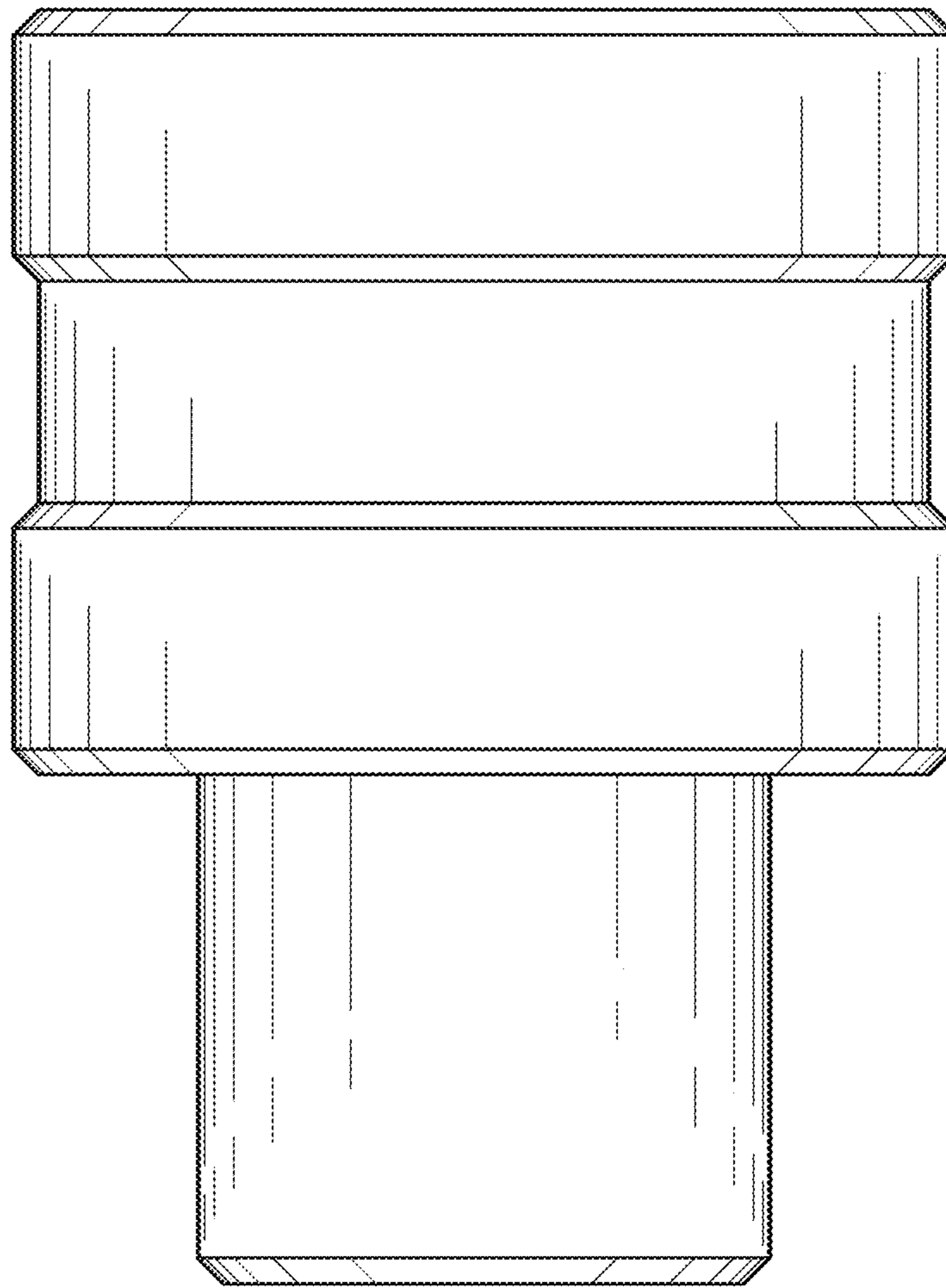


FIG. 6

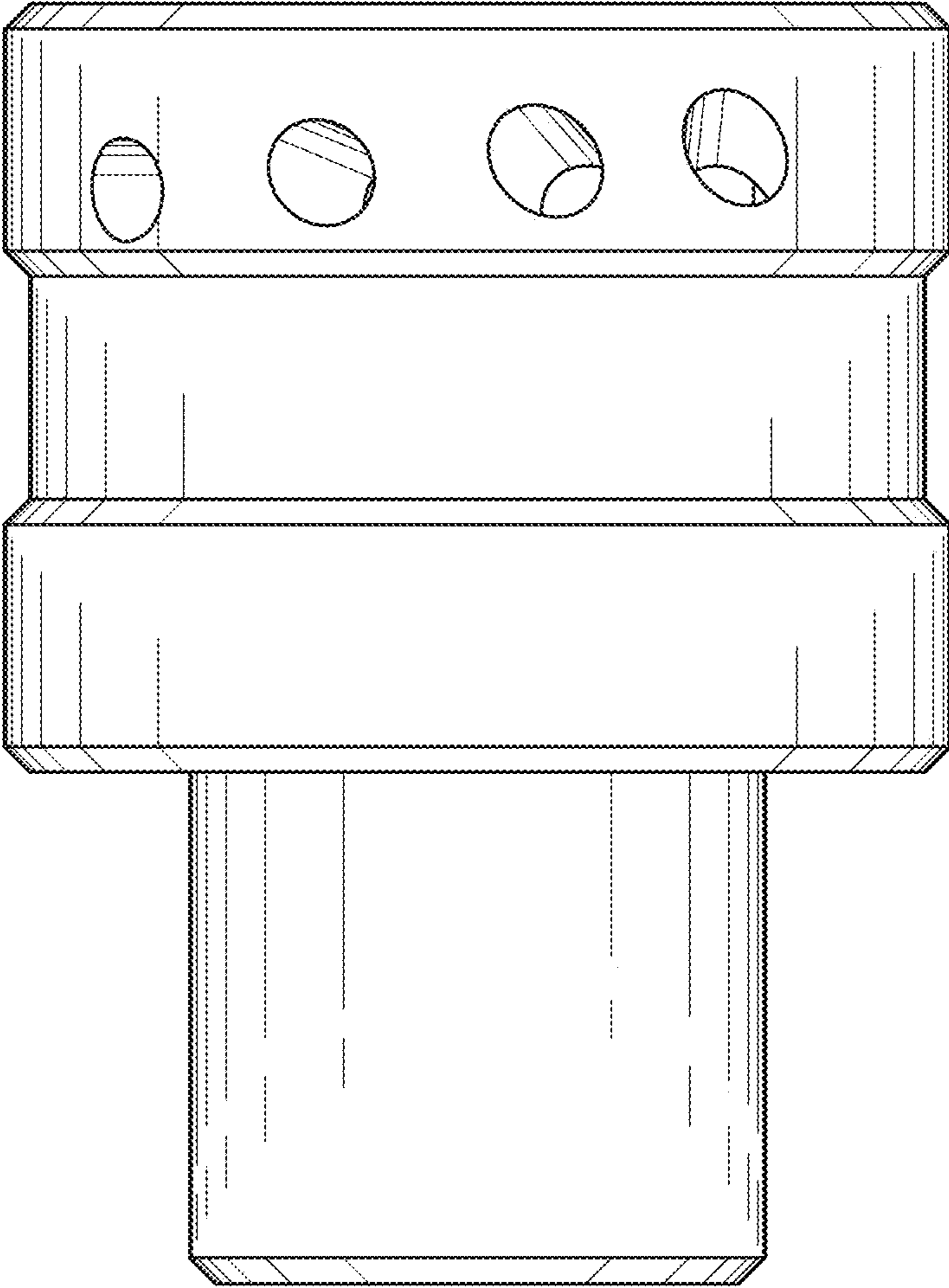


FIG. 7