



US00D929197S

(12) **United States Design Patent** (10) **Patent No.:** **US D929,197 S**
Ware (45) **Date of Patent:** **** Aug. 31, 2021**

(54) **NIPPER BLADE**
(71) Applicant: **Joseph Ware**, Rumford, RI (US)
(72) Inventor: **Joseph Ware**, Rumford, RI (US)
(**) Term: **15 Years**

9,192,218 B1 11/2015 Kaidi et al.
D814,607 S * 4/2018 Kim D22/149
D860,274 S * 9/2019 Doty B26D 7/2614
D15/139
D867,412 S * 11/2019 Backman D15/139
D904,848 S * 12/2020 Ware D8/98
(Continued)

(21) Appl. No.: **29/712,337**
(22) Filed: **Nov. 7, 2019**
(51) **LOC (13) Cl.** **08-03**
(52) **U.S. Cl.**
USPC **D8/20**
(58) **Field of Classification Search**
USPC D8/20, 98-104, 70, 16, 19; D7/693;
D15/139; D32/46, 49
CPC B26B 13/16; B26B 17/00; B26B 1/02;
B23D 61/121; B23D 61/123; B23D
61/126; B23D 61/128; B23D 49/14
See application file for complete search history.

OTHER PUBLICATIONS

Image from simmsfishing.com/guide-nipper, published prior to Jan. 2018.
Images from abelreels.com/nipper, published prior to Jan. 2018.

Primary Examiner — Elizabeth A. Albert
(74) *Attorney, Agent, or Firm* — Douglas Denninger

(57) **CLAIM**

I claim the ornamental design for a nipper blade, as shown and described.

DESCRIPTION

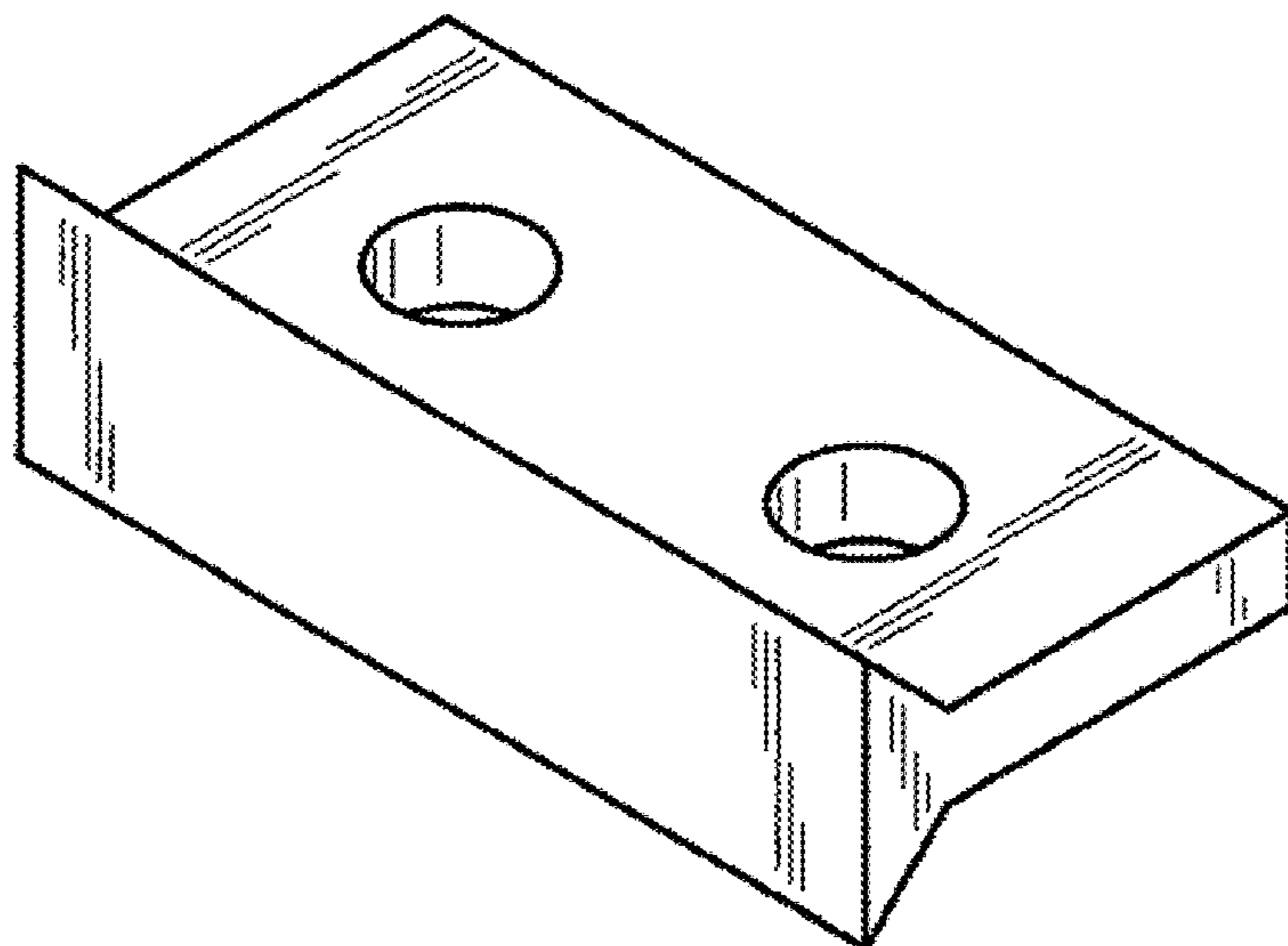
FIG. 1 is a front upper perspective view of the nipper blade showing my new design;
FIG. 2 is a rear elevation view thereof;
FIG. 3 is a front elevation view thereof;
FIG. 4 is a left side elevation view thereof, with the right side elevation view being a mirror image thereof;
FIG. 5 is a top plan view thereof with the bottom plan view being a mirror image thereof;
FIG. 6 is a front upper perspective view of an alternative embodiment of the nipper blade FIG. 1;
FIG. 7 is a rear elevation view thereof;
FIG. 8 is a front elevation view thereof;
FIG. 9 is a left side elevation view thereof, with the right side elevation view being a mirror image thereof; and,
FIG. 10 is a top plan view thereof, with the bottom plan view being a mirror image thereof.
The broken lines shown represent unclaimed subject matter and form no part of the claimed design.

(56) **References Cited**

U.S. PATENT DOCUMENTS

2,630,850 A * 3/1953 Elsaesser A47J 17/00
269/16
D225,716 S * 1/1973 Mason D8/71
D279,786 S * 7/1985 Nja D15/29
4,731,927 A 3/1988 Wilson
D349,636 S * 8/1994 White D8/52
D386,655 S * 11/1997 Spirer D8/20
5,816,130 A * 10/1998 Aukerman B26D 7/2614
83/698.31
6,941,657 B2 9/2005 Choi et al.
7,144,128 B2 12/2006 Brauner
7,150,215 B2 * 12/2006 Krehel B23D 61/06
83/839
7,194,806 B2 3/2007 Kuzuu
D632,151 S * 2/2011 Cardew D8/47
8,176,636 B2 5/2012 Bush
D663,595 S * 7/2012 Nikkei D8/20
8,984,754 B1 * 3/2015 Kaidi A45D 29/02
30/28

1 Claim, 2 Drawing Sheets



(56)

References Cited

U.S. PATENT DOCUMENTS

D919,681 S * 5/2021 Koch D15/139
2009/0211098 A1 8/2009 Childs, II

* cited by examiner

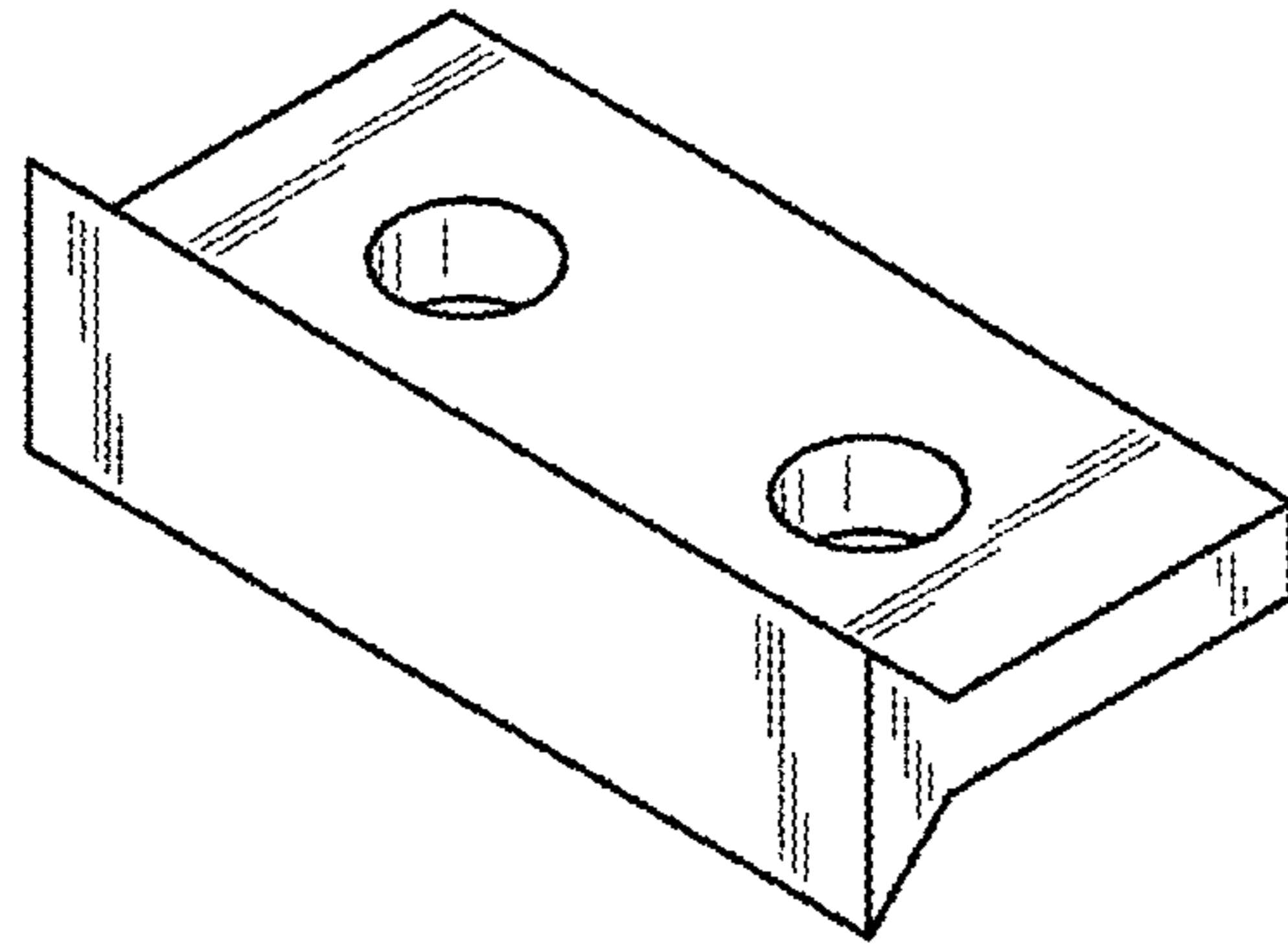


FIG. 1

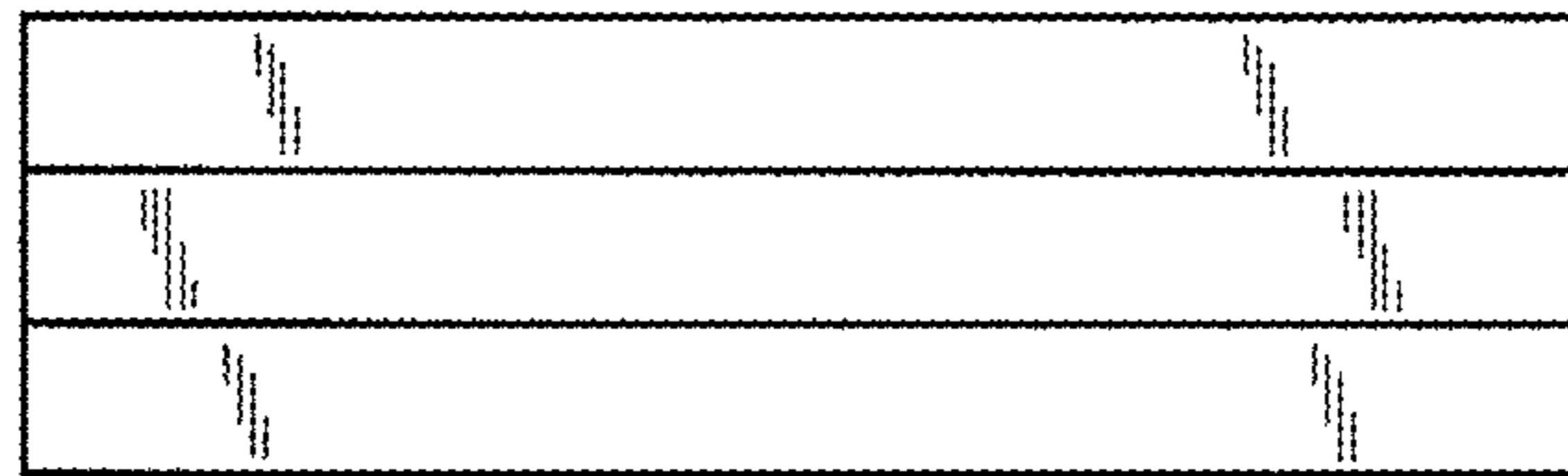


FIG. 2



FIG. 3

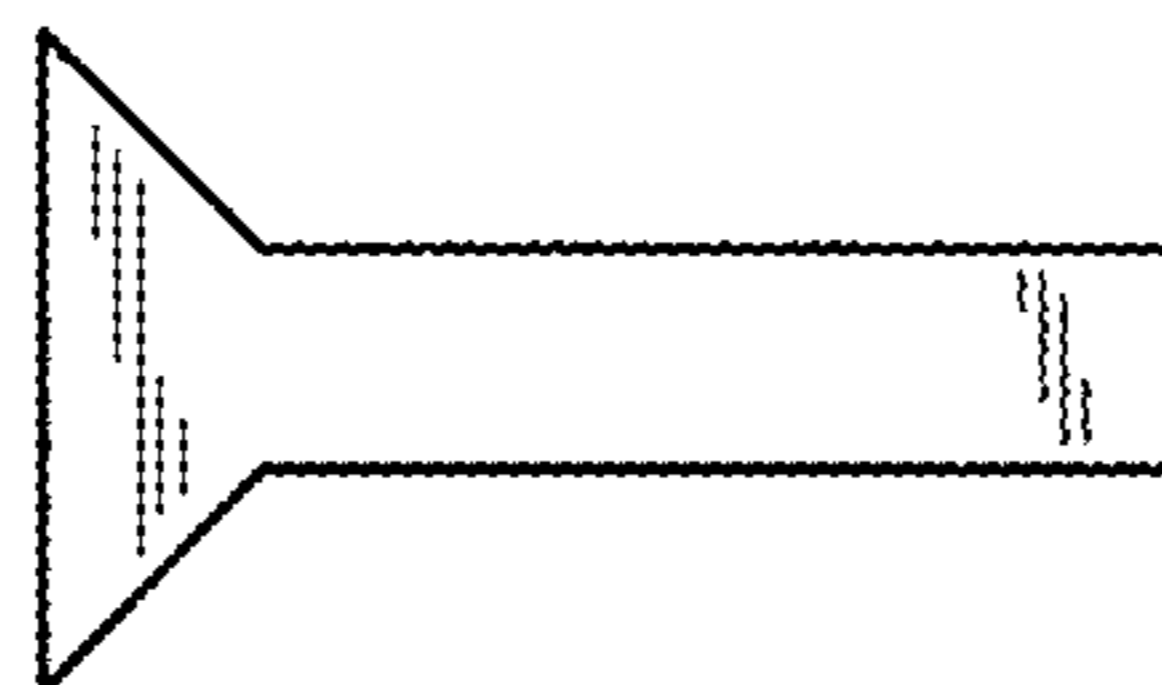


FIG. 4

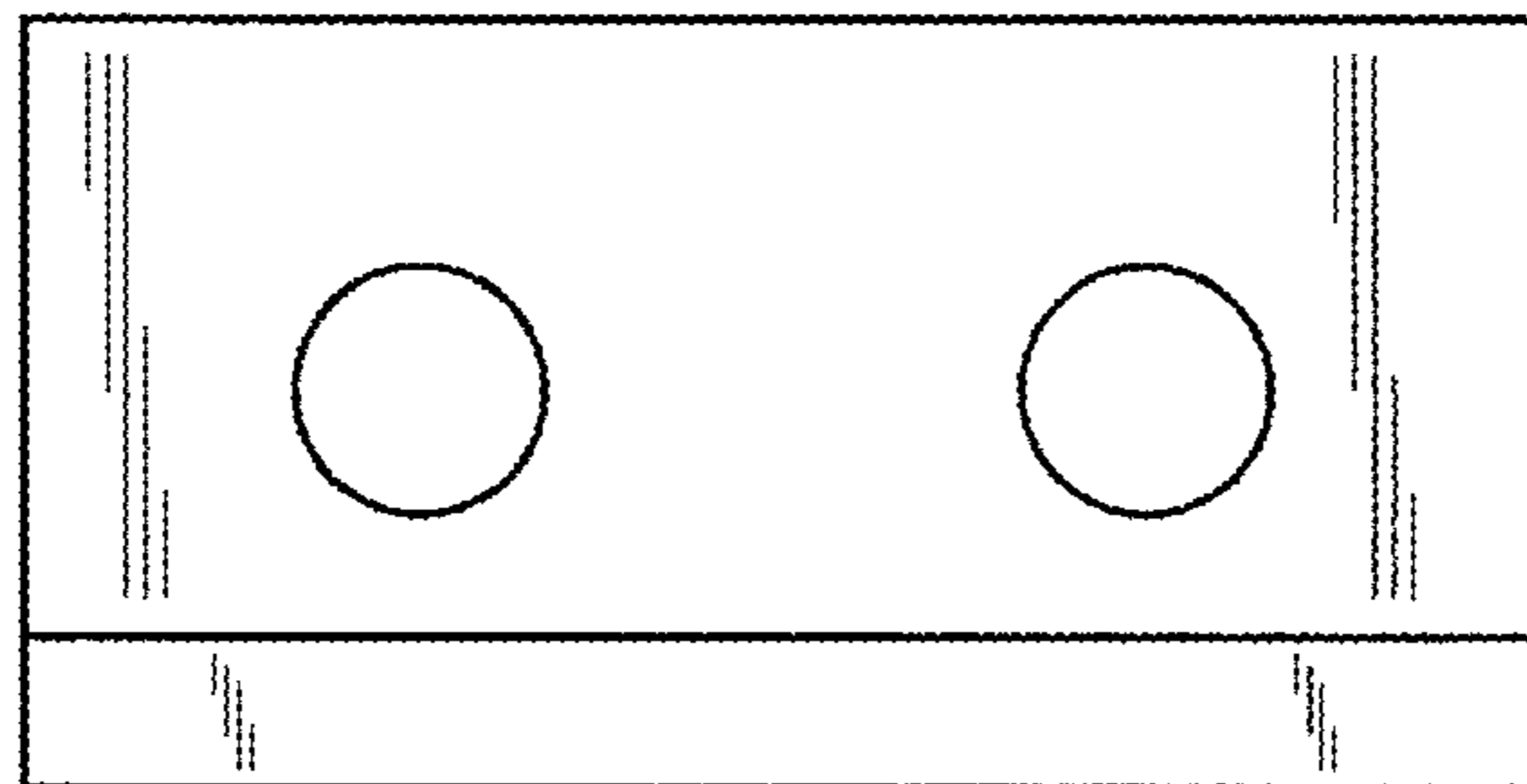


FIG. 5

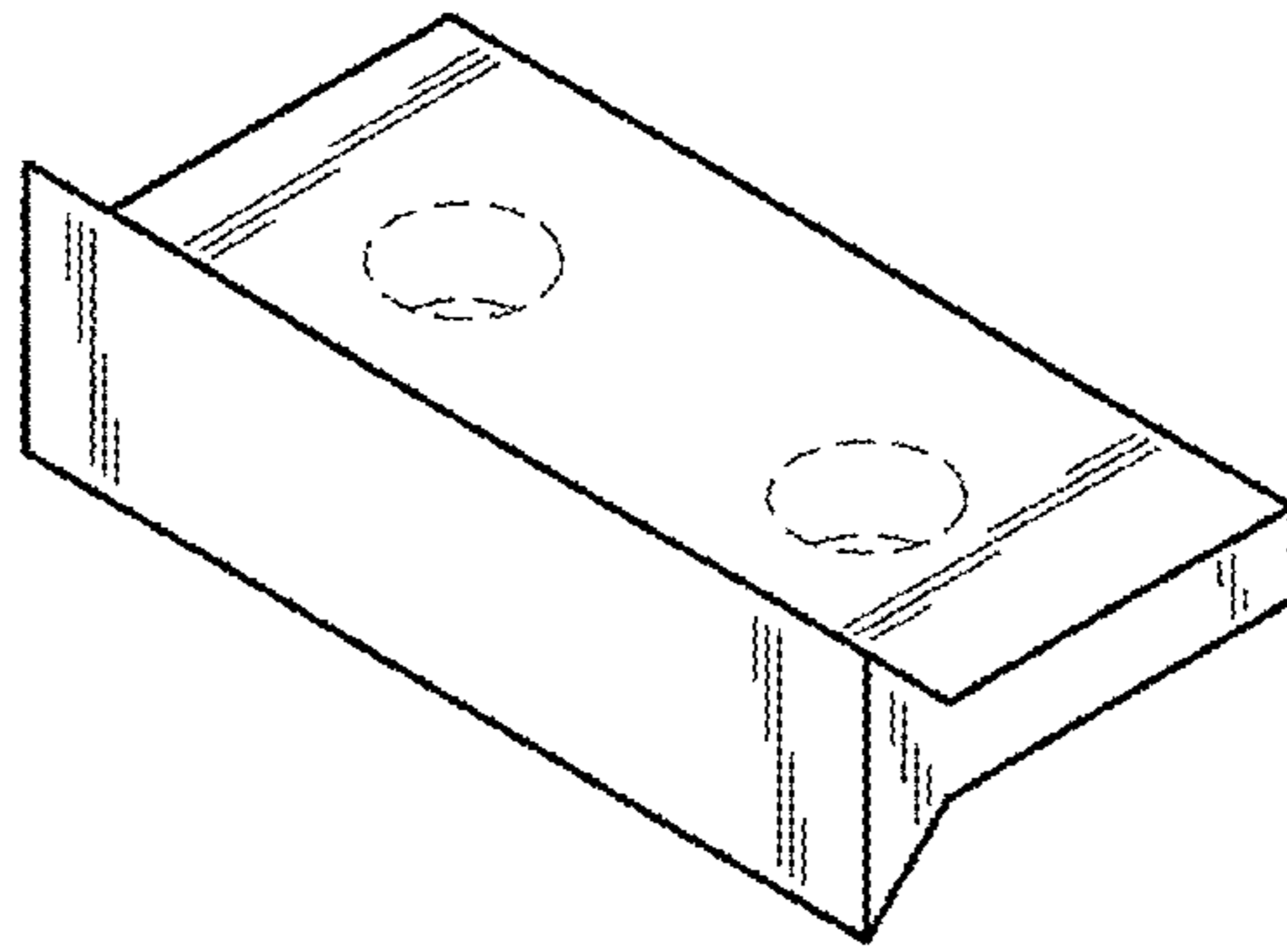


FIG. 6

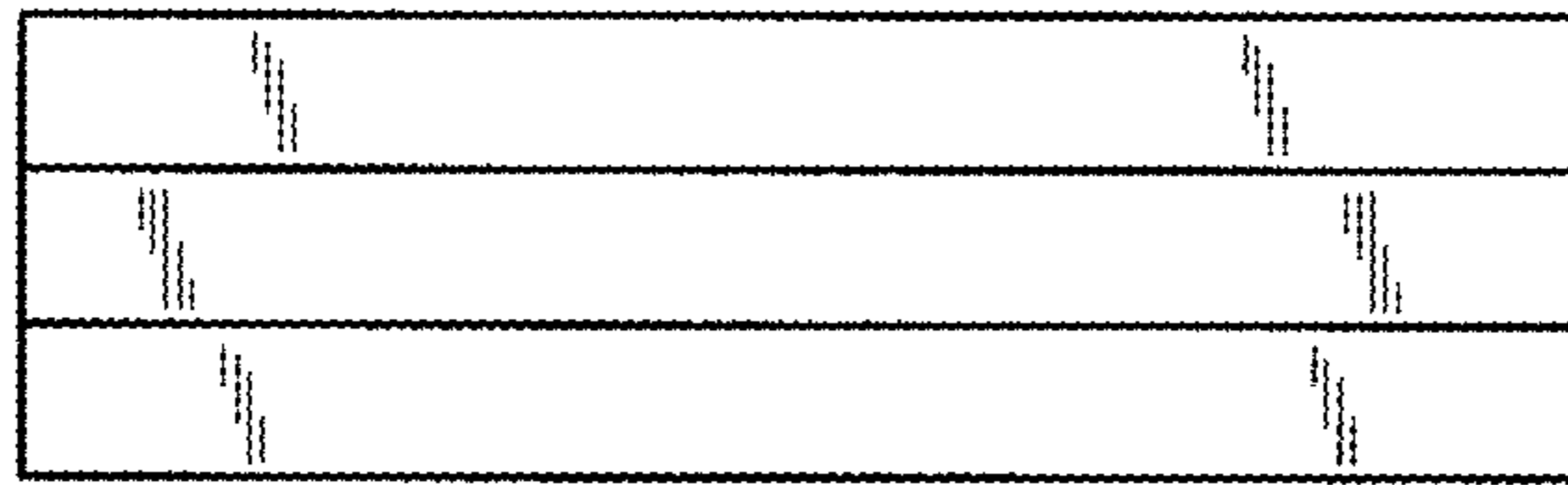


FIG. 7



FIG. 8

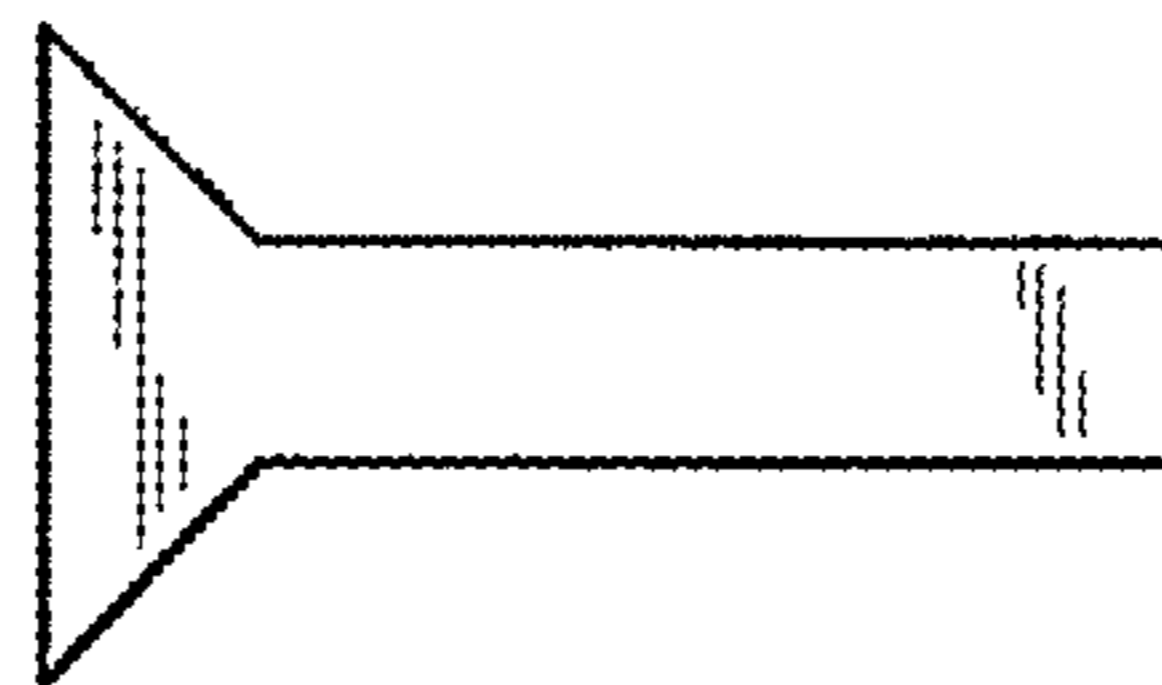


FIG. 9

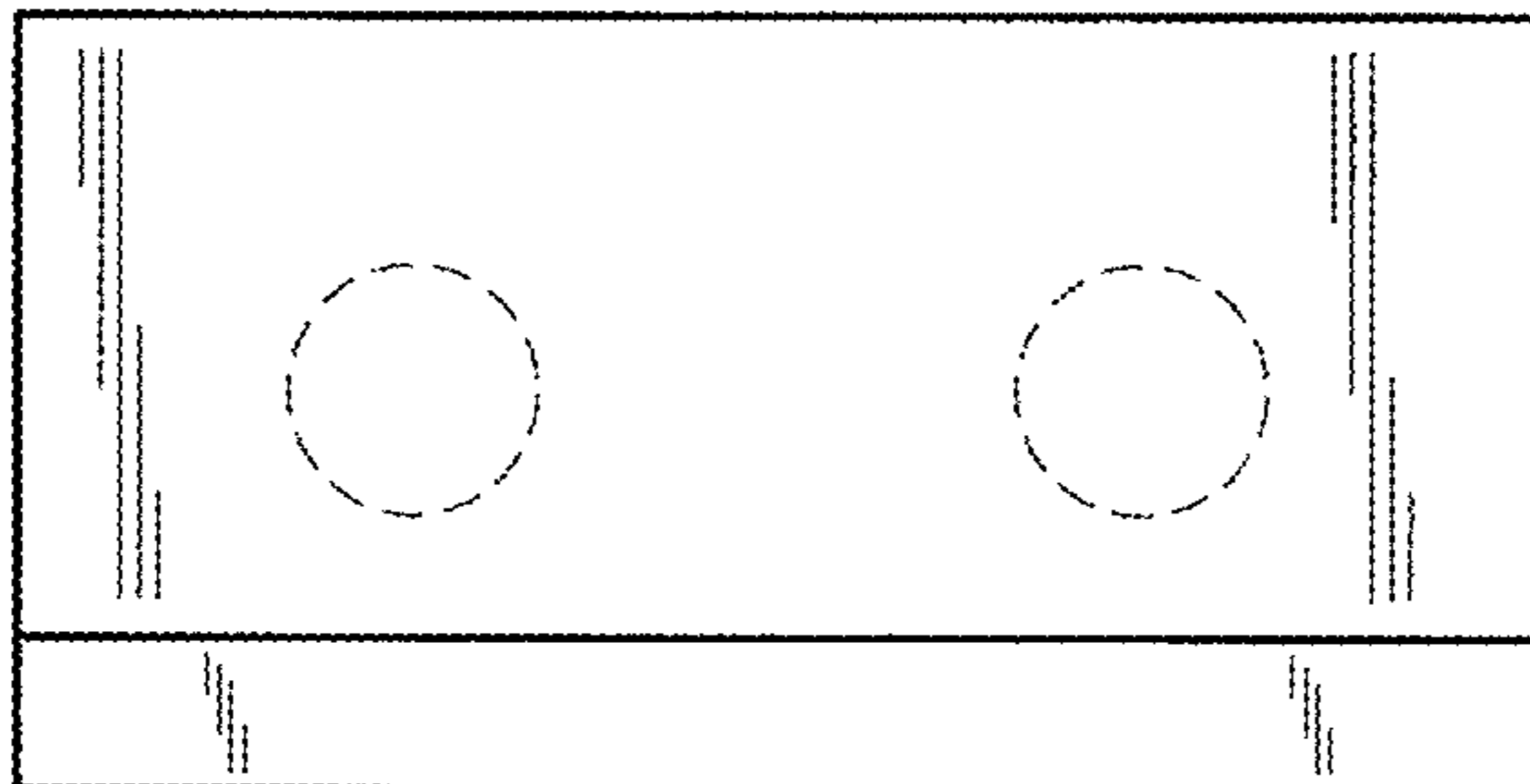


FIG. 10