

US00D929195S

(12) **United States Design Patent**  
**Kiyokawa**

(10) **Patent No.:** **US D929,195 S**

(45) **Date of Patent:** **\*\* Aug. 31, 2021**

(54) **RICE MOLD**

(71) Applicant: **Pork Tamago Onigiri Honten Co., Ltd.**, Naha (JP)

(72) Inventor: **Katsuaki Kiyokawa**, Naha (JP)

(73) Assignee: **POTAMA CO., LTD.**, Okinawa (JP)

(\*\*) Term: **15 Years**

(21) Appl. No.: **29/711,341**

(22) Filed: **Oct. 30, 2019**

(30) **Foreign Application Priority Data**

May 7, 2019 (JP) ..... 2019-009818

May 7, 2019 (JP) ..... 2019-009819

(51) **LOC (13) Cl.** ..... **07-04**

(52) **U.S. Cl.**  
USPC ..... **D7/672**

(58) **Field of Classification Search**  
USPC ..... D7/332, 334, 339, 368, 387, 388, 393,  
D7/402, 404, 405, 406, 672, 688, 697,  
D7/698; D6/300, 546, 549; D8/300,  
D8/315, 396; D12/198; D20/22, 28;  
D24/183, 184, 225; D29/122; D15/90;  
188/32; D9/455  
CPC .. A47J 36/00; A47J 37/00; A47J 37/06; A47J  
43/00; A47J 43/20; A47J 47/00; A21C  
11/004; A21C 11/006; A21C 11/008;  
A23G 9/083; A23G 9/221; F25C 1/243  
See application file for complete search history.

(56) **References Cited**

**U.S. PATENT DOCUMENTS**

5,009,905 A \* 4/1991 Ikeda ..... A23P 20/20  
426/297

D625,838 S \* 10/2010 Walsh ..... D25/60

D663,584 S \* 7/2012 Sadtler ..... D7/405

D741,088 S \* 10/2015 Williams ..... A23P 20/20  
D6/617

D779,834 S \* 2/2017 Ryan ..... D6/300  
(Continued)

**FOREIGN PATENT DOCUMENTS**

JP 3187074 U 11/2013  
JP 1519131 3/2015  
JP 1615875 10/2018

**OTHER PUBLICATIONS**

SushiQuik Sushi Making Kit, first available Aug. 17, 2012, Amazon, [online], [site visited Jan. 8, 2021], Available from internet URL: <https://www.amazon.com/SushiQuik-Making-Complete-Cutter-Pre-Measured/dp/B008YWRTB4> (Year: 2012).\*

(Continued)

*Primary Examiner* — Jeffrey D Asch  
*Assistant Examiner* — Natalya M Rapundalo

(74) *Attorney, Agent, or Firm* — Lucas & Mercanti, LLP

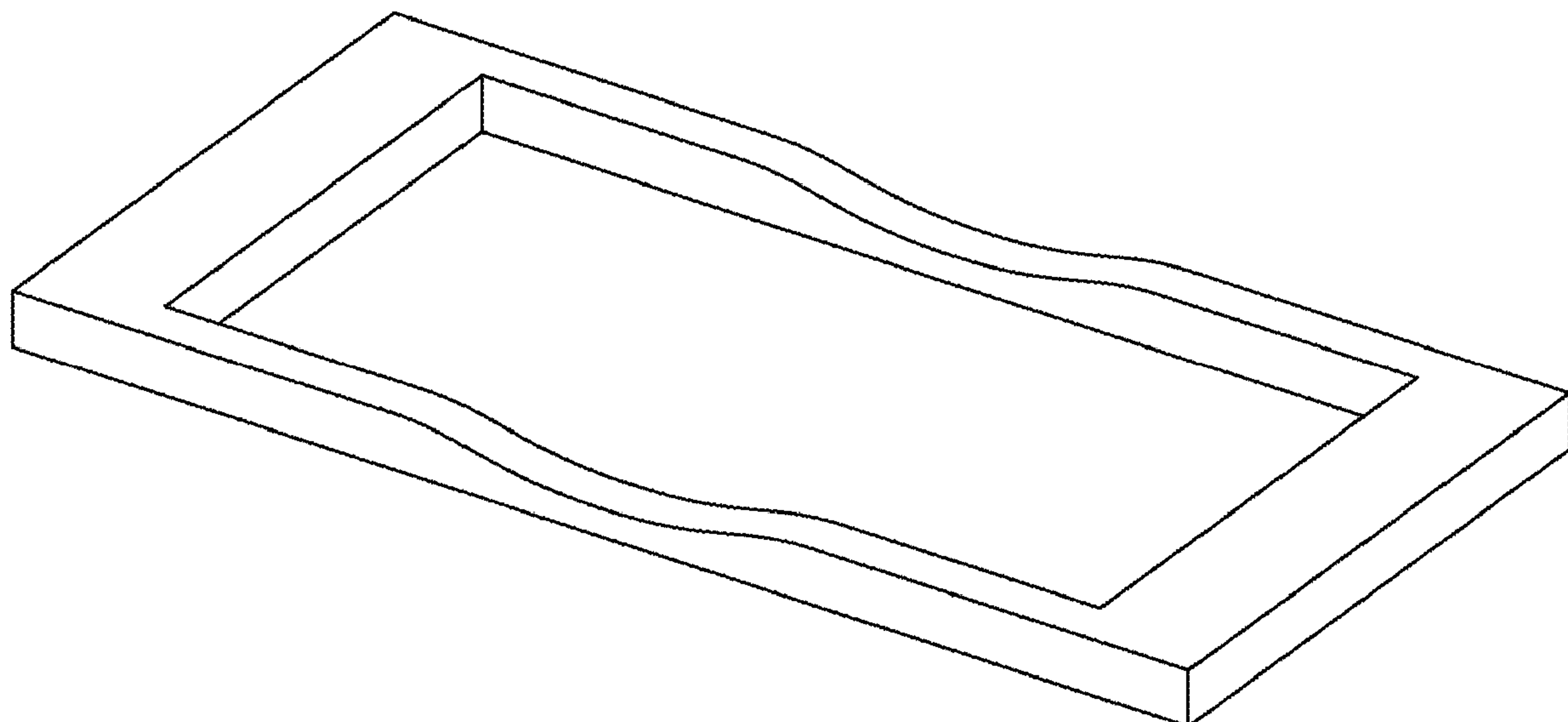
(57) **CLAIM**

The ornamental design for a rice mold, as shown and described.

**DESCRIPTION**

FIG. 1 is a perspective view of a rice mold;  
FIG. 2 is a front view of the rice mold of FIG. 1, a back view being a mirror image thereof;  
FIG. 3 is a right side view of the rice mold of FIG. 1, a left side view being a mirror image thereof;  
FIG. 4 is a top view of the rice mold of FIG. 1;  
FIG. 5 is a bottom view of the rice mold of FIG. 1;  
FIG. 6 is a cross-sectional view thereof, taken along line 6-6 in FIG. 4;  
FIG. 7 is a cross-sectional view thereof, taken along line 7-7 in FIG. 4; and,  
FIG. 8 is a cross-sectional view thereof, taken along line 8-8 in FIG. 4.

**1 Claim, 8 Drawing Sheets**



(56)

**References Cited**

U.S. PATENT DOCUMENTS

D821,384 S \* 6/2018 Jordin ..... D14/250  
D831,985 S \* 10/2018 Padilla ..... D6/300  
D840,403 S \* 2/2019 Wolff ..... D14/432  
D914,418 S \* 3/2021 Kilburn ..... D6/702

OTHER PUBLICATIONS

JPO, Office Action for the corresponding design patent application No. 2019-009819, dated Feb. 4, 2020, with English translation.

“Round Rice Ball Type (5)”, Sumitomo Bakelite Chopping Boards and Molds Catalog, issued by Sumi Betechno Plastics Co., Ltd., received by the Industrial Property Information and Training Center on Sep. 29, 2017.

“Integral Type (Battera Type/Sparrow Type),” Sumitomo Bakelite Chopping Boards and Molds Catalog, issued by Sumi Betechno Plastics Co., Ltd., received by the Industrial Property Information and Training Center on Sep. 29, 2017.

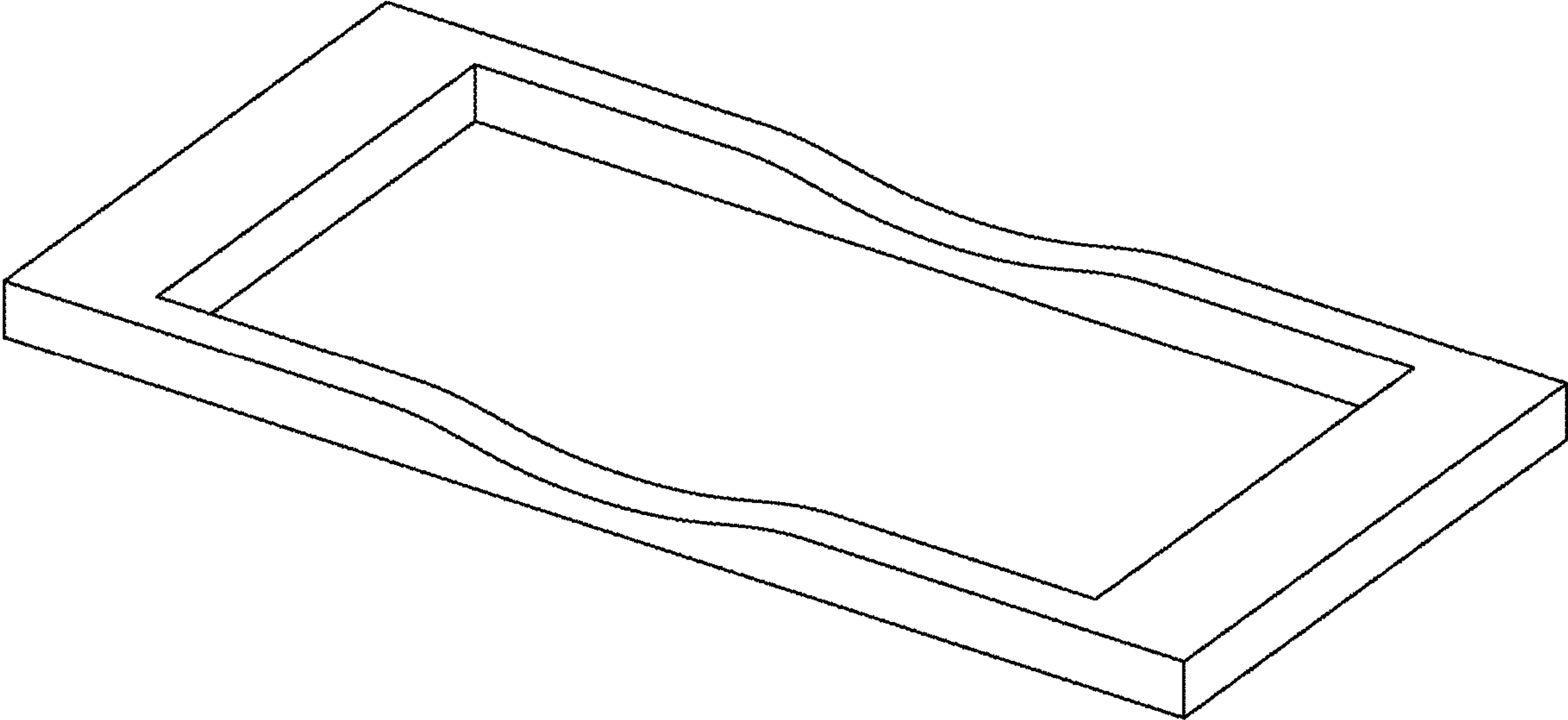
“Design of Sushi Rolls,” foreign catalog published by Pro Idee “Neue Ideen aus aller Welt Winter 2003” accepted by the JPO Design Division on Mar. 31, 2004, p. 11.

TIPO, Office Action for the corresponding Taiwanese design patent application No. 108306846D01, dated Apr. 10, 2020.

EBM, “Professional Best Collection,” published in 1989.

\* cited by examiner

Fig. 1



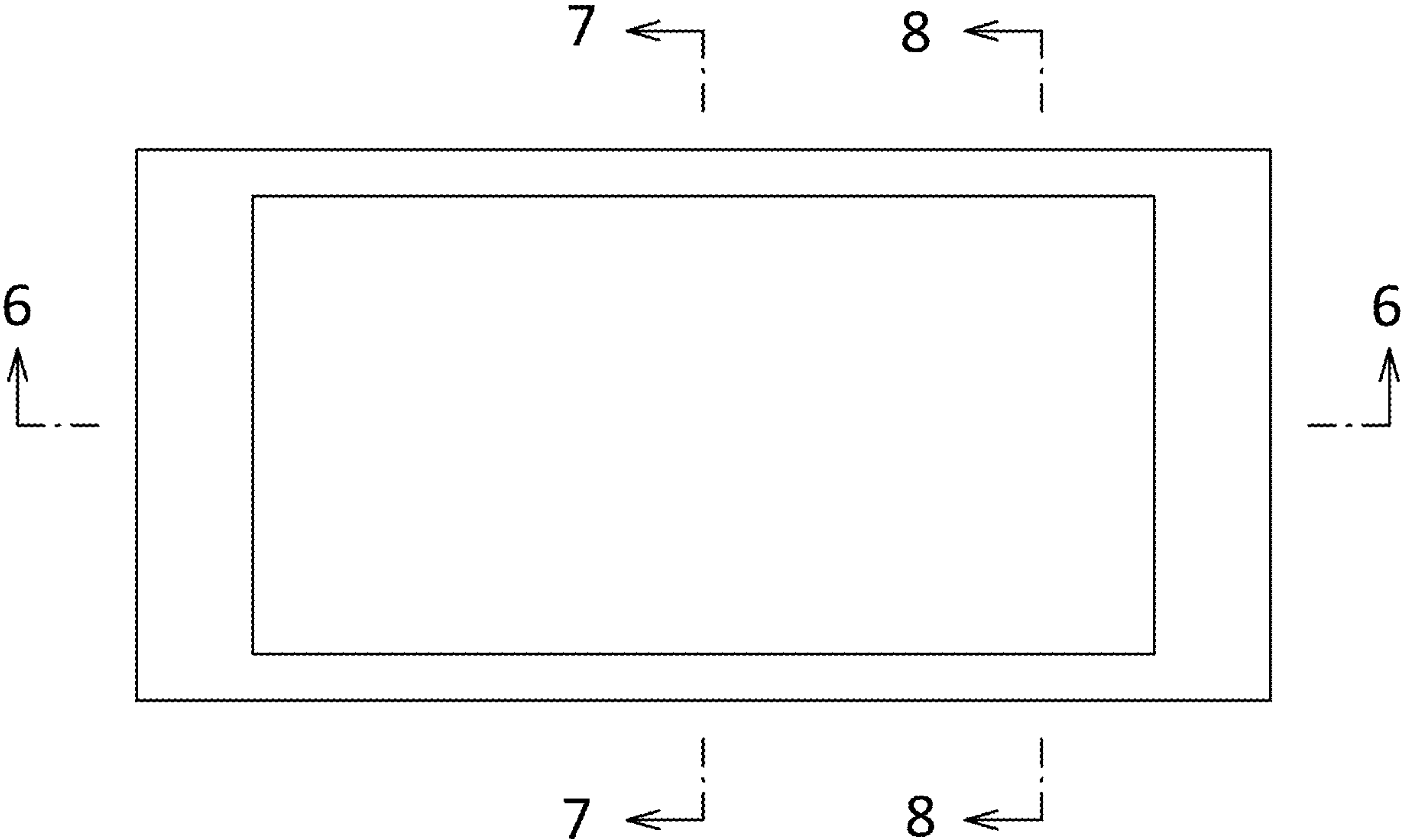
**Fig. 2**



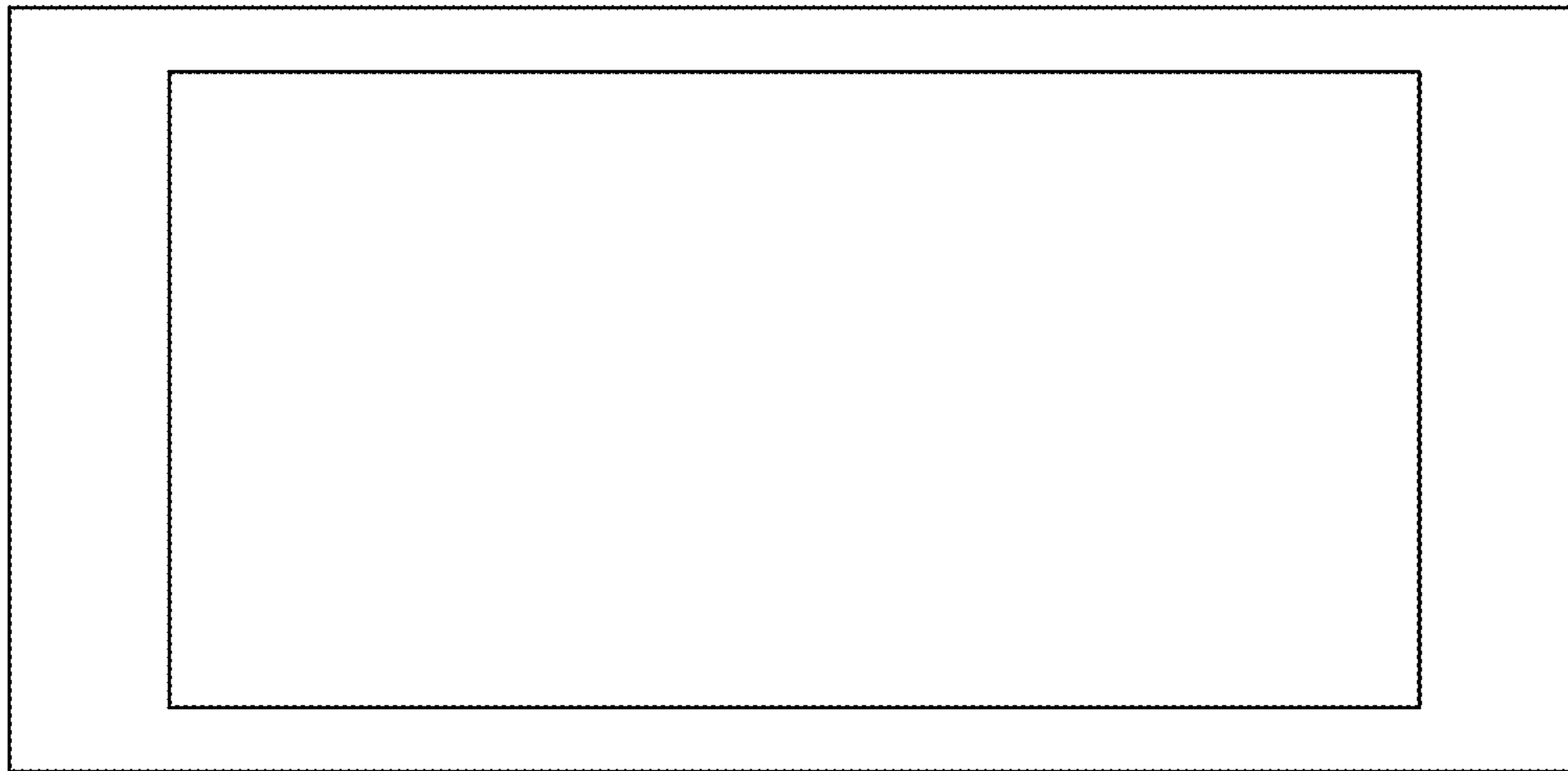
**Fig. 3**



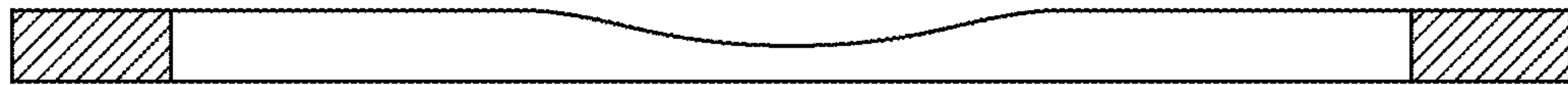
Fig. 4



**Fig. 5**



**Fig. 6**





**Fig. 7**



**Fig. 8**

