

US00D929194S

(12) **United States Design Patent** (10) **Patent No.:** **US D929,194 S**  
**Dittrich** (45) **Date of Patent:** **\*\* Aug. 31, 2021**

(54) **NAPKIN HOLDER**  
(71) Applicant: **Spectrum Diversified Designs, LLC**,  
Streetsboro, OH (US)

D889,212 S \* 7/2020 Dittrich ..... D7/631  
D893,266 S \* 8/2020 Goodman ..... D7/631  
D897,785 S \* 10/2020 Gee, II ..... D7/631  
D913,052 S \* 3/2021 Wilson ..... D7/631

(72) Inventor: **Megan Dittrich**, Twinsburg, OH (US)

**OTHER PUBLICATIONS**

(73) Assignee: **Spectrum Diversified Designs, LLC**,  
Streetsboro, OH (US)

Home Basics Chrome Plated Steel Infinity Collection Flat Napkin Holder, announced Jan. 1, 2010, [online], site visited Jun. 25, 2021. Available from Internet, URL: <http://www.amazon.com> (Year: 2010).\* U.S. Appl. No. 29/639,615, filed Mar. 8, 2018, 2 pages and 5 pages of drawings.

(\*\*) Term: **15 Years**

\* cited by examiner

(21) Appl. No.: **29/688,938**

(22) Filed: **Apr. 25, 2019**

*Primary Examiner* — Janice Patyk

(51) **LOC (13) Cl.** ..... **07-06**

(74) *Attorney, Agent, or Firm* — Tucker Ellis LLP

(52) **U.S. Cl.**  
USPC ..... **D7/631**

(57) **CLAIM**

(58) **Field of Classification Search**  
USPC ..... D3/304, 306, 316; D6/566, 567, 573,  
D6/574; D7/631, 637-641; D19/75, 81,  
D19/83-86, 90, 92  
CPC ..... A47B 88/00; A47G 21/14; A47G 21/16;  
A47G 21/184; A47G 23/06; A47G  
29/087; A47J 45/02; A47J 47/16; B65D  
1/34; B65D 1/36

The ornamental design for a napkin holder, as shown and described.

See application file for complete search history.

**DESCRIPTION**

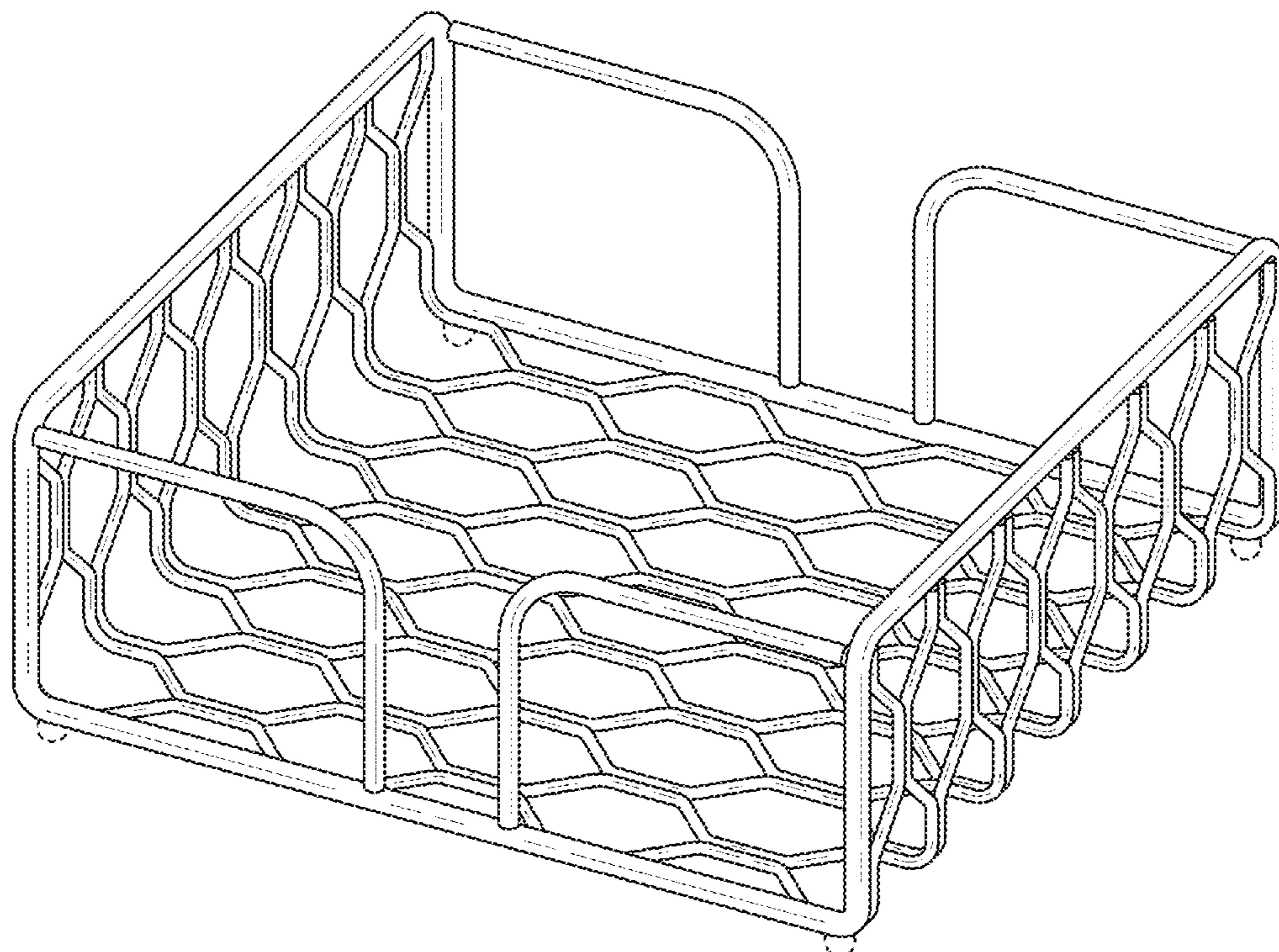
(56) **References Cited**

FIG. 1 is a perspective view of a napkin holder showing my new design;  
FIG. 2 is a front view thereof;  
FIG. 3 is a rear view thereof;  
FIG. 4 is a right side view thereof;  
FIG. 5 is a left side view thereof;  
FIG. 6 is a top view thereof; and,  
FIG. 7 is a bottom view thereof.  
The broken lines show portions of the design that form no part of the claimed design.

**U.S. PATENT DOCUMENTS**

D640,510 S \* 6/2011 Guindi ..... D7/631  
D747,158 S \* 1/2016 Goodman ..... D7/631  
D787,277 S \* 5/2017 Goodman ..... D7/631  
D835,476 S \* 12/2018 Goodman ..... D7/631

**1 Claim, 4 Drawing Sheets**



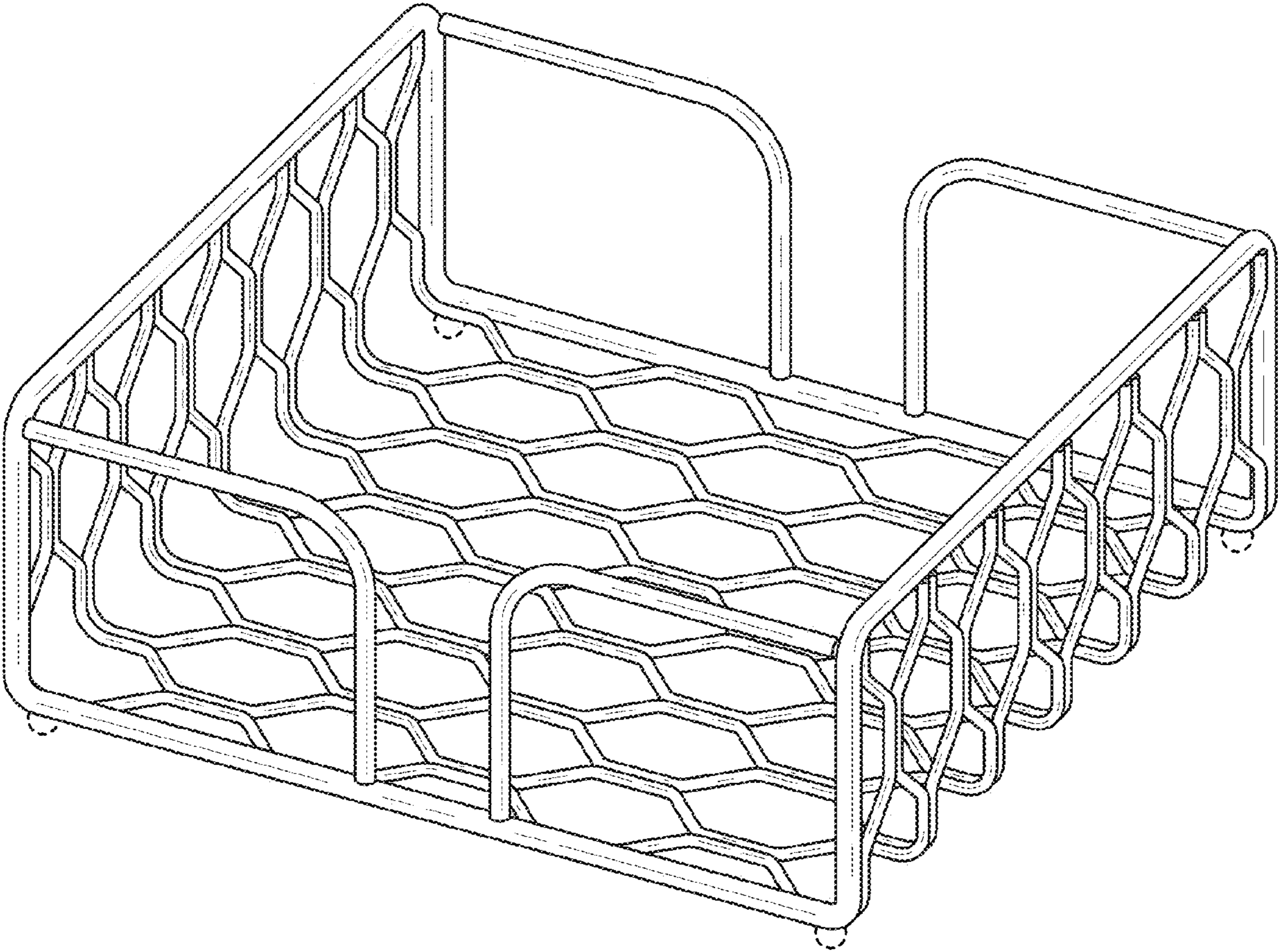


FIG. 1

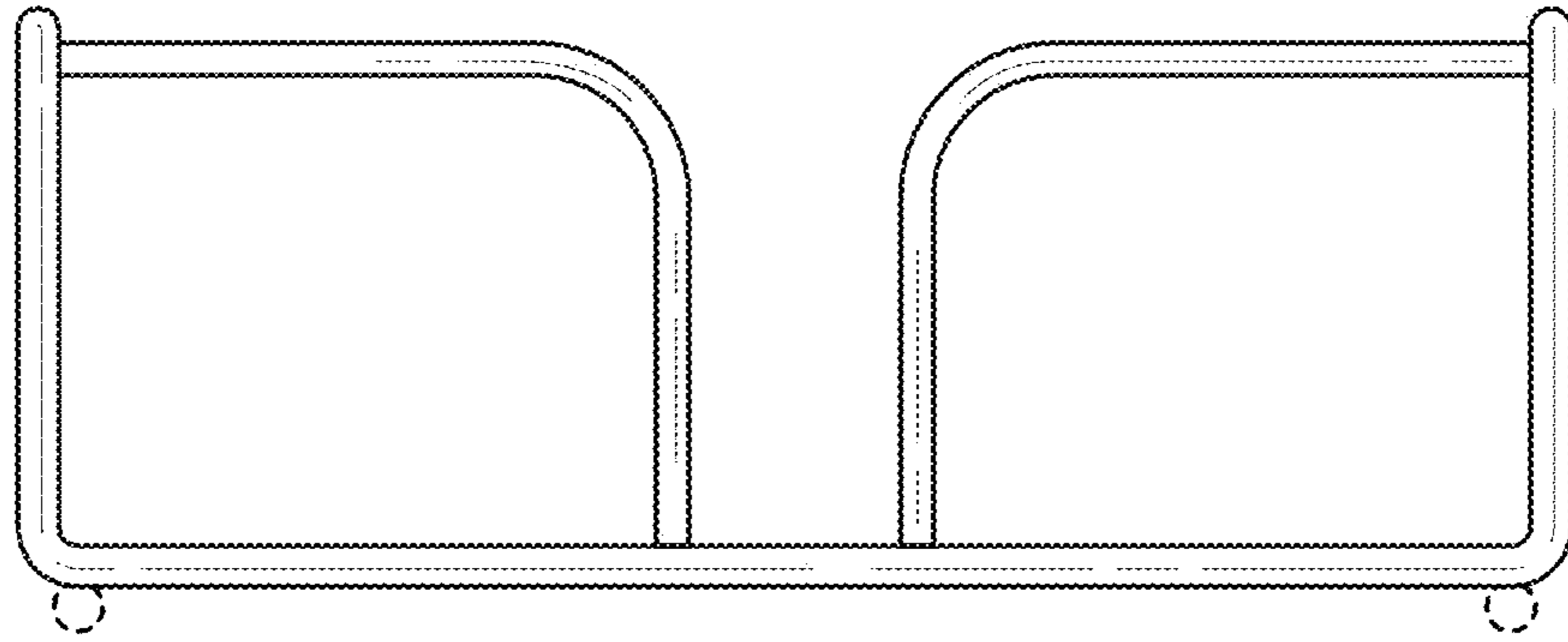


FIG. 2

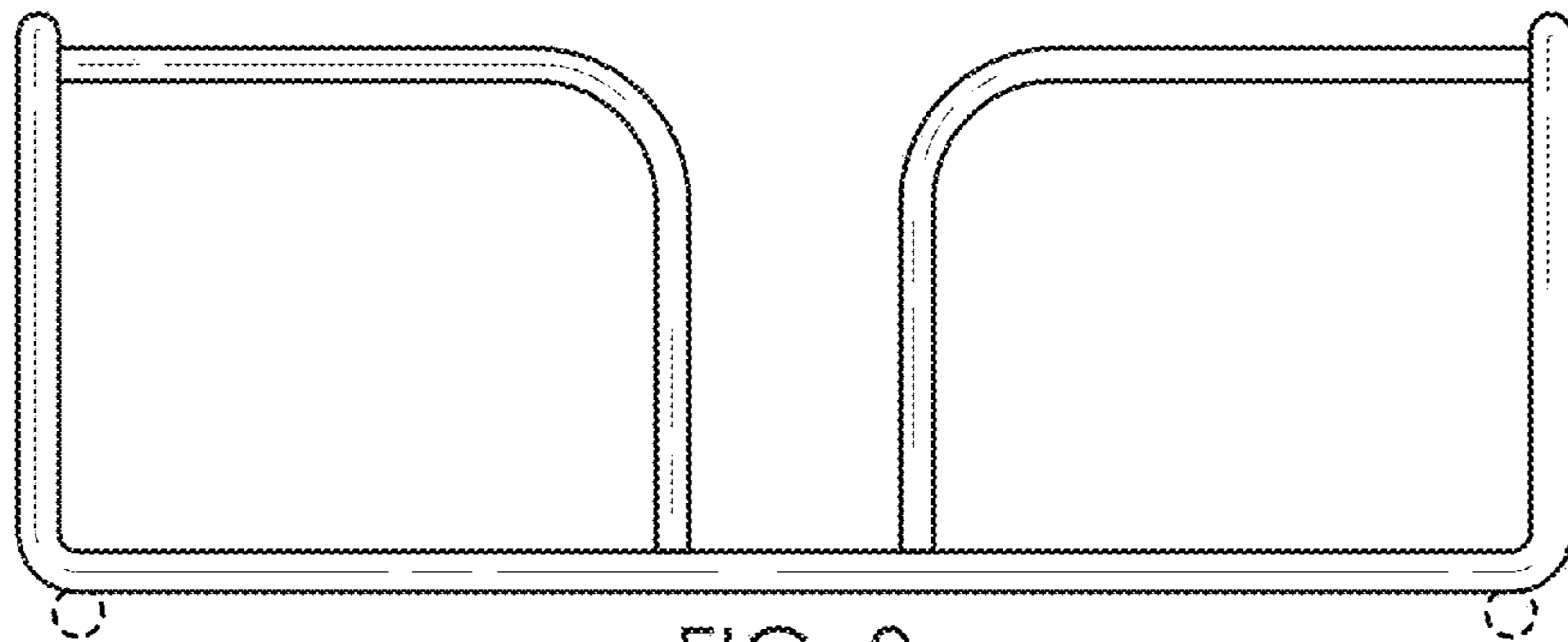


FIG. 3

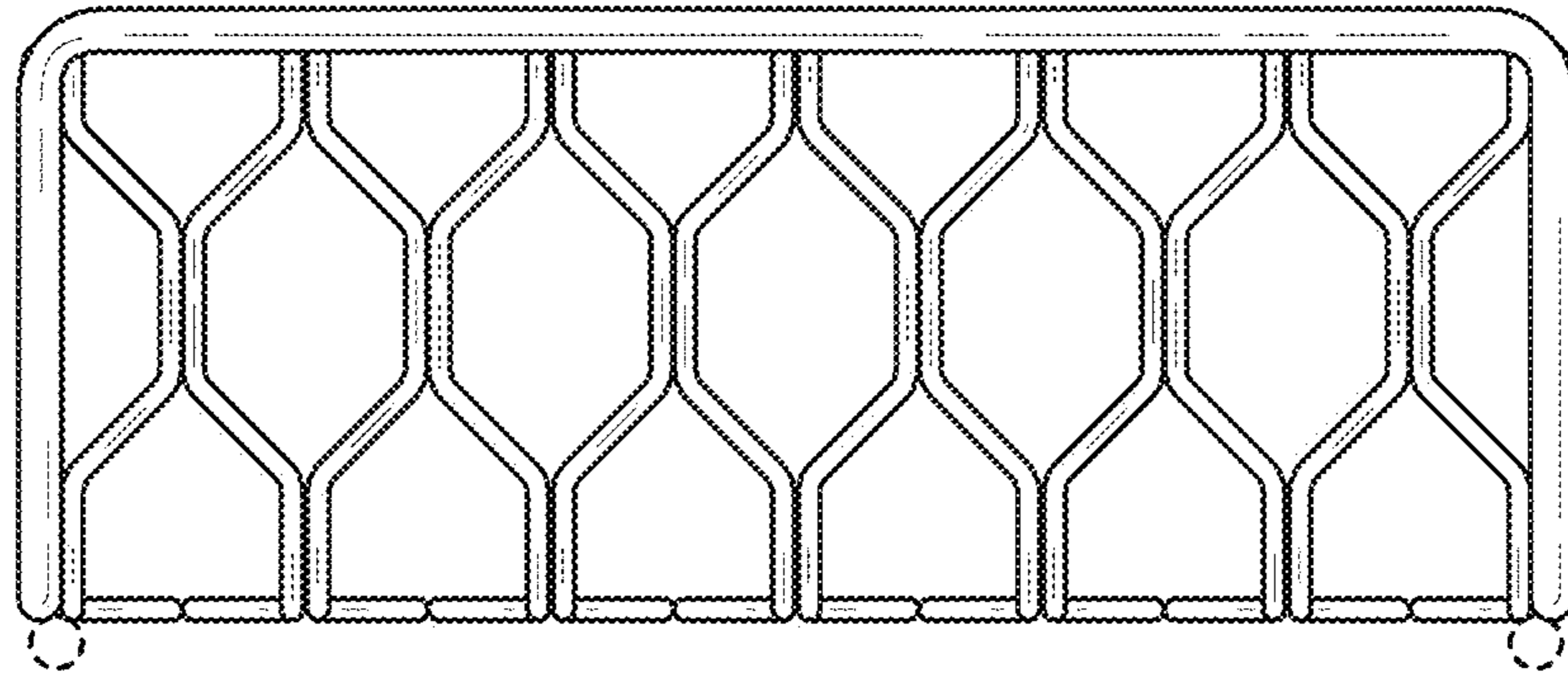


FIG. 4

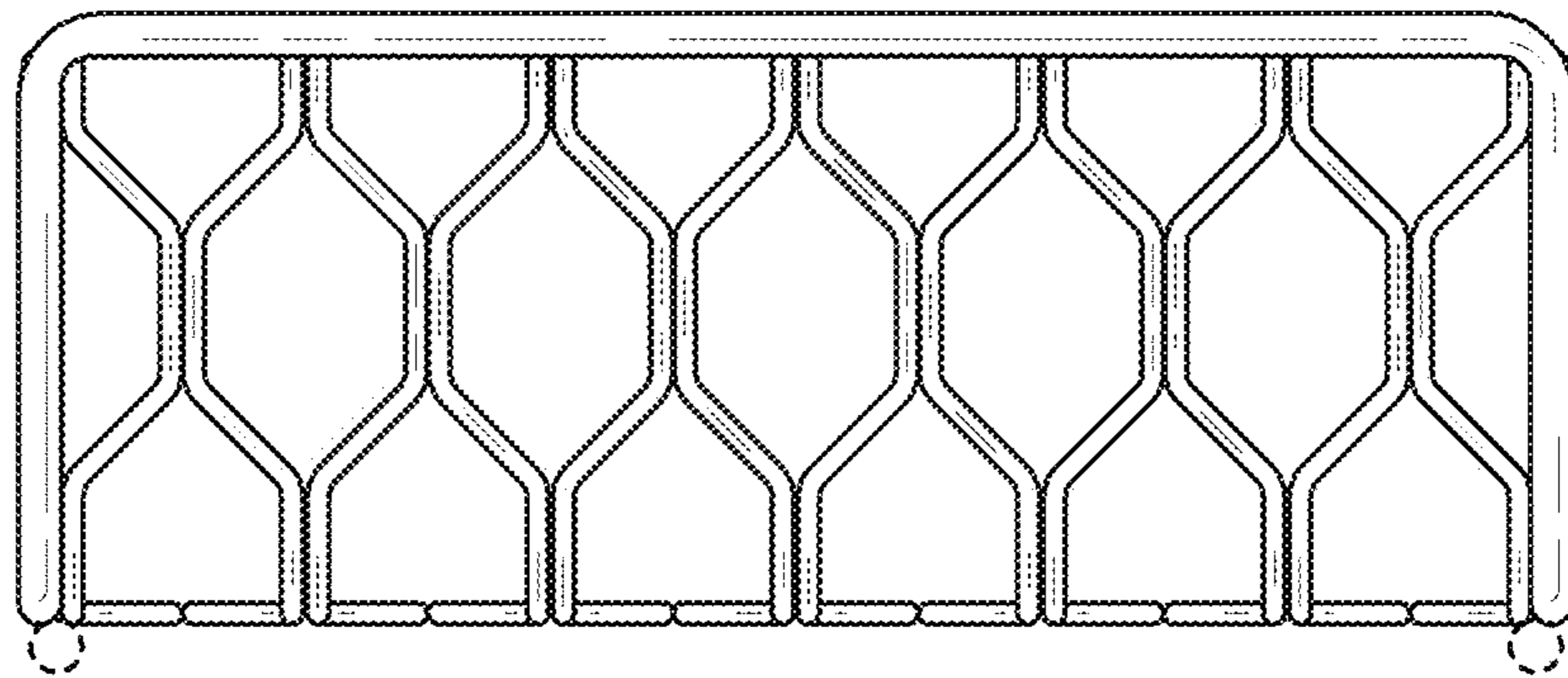


FIG. 5

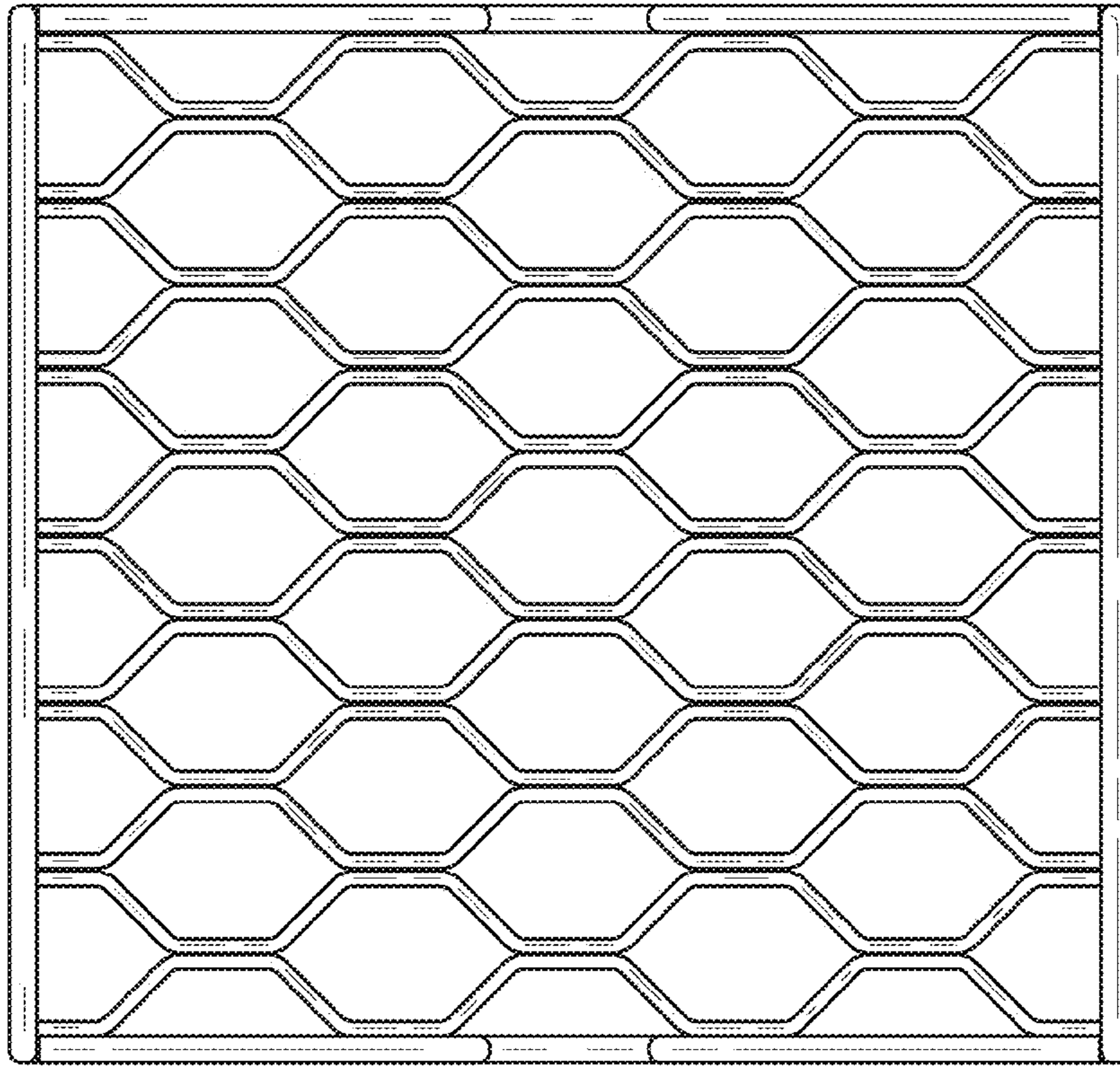


FIG. 6

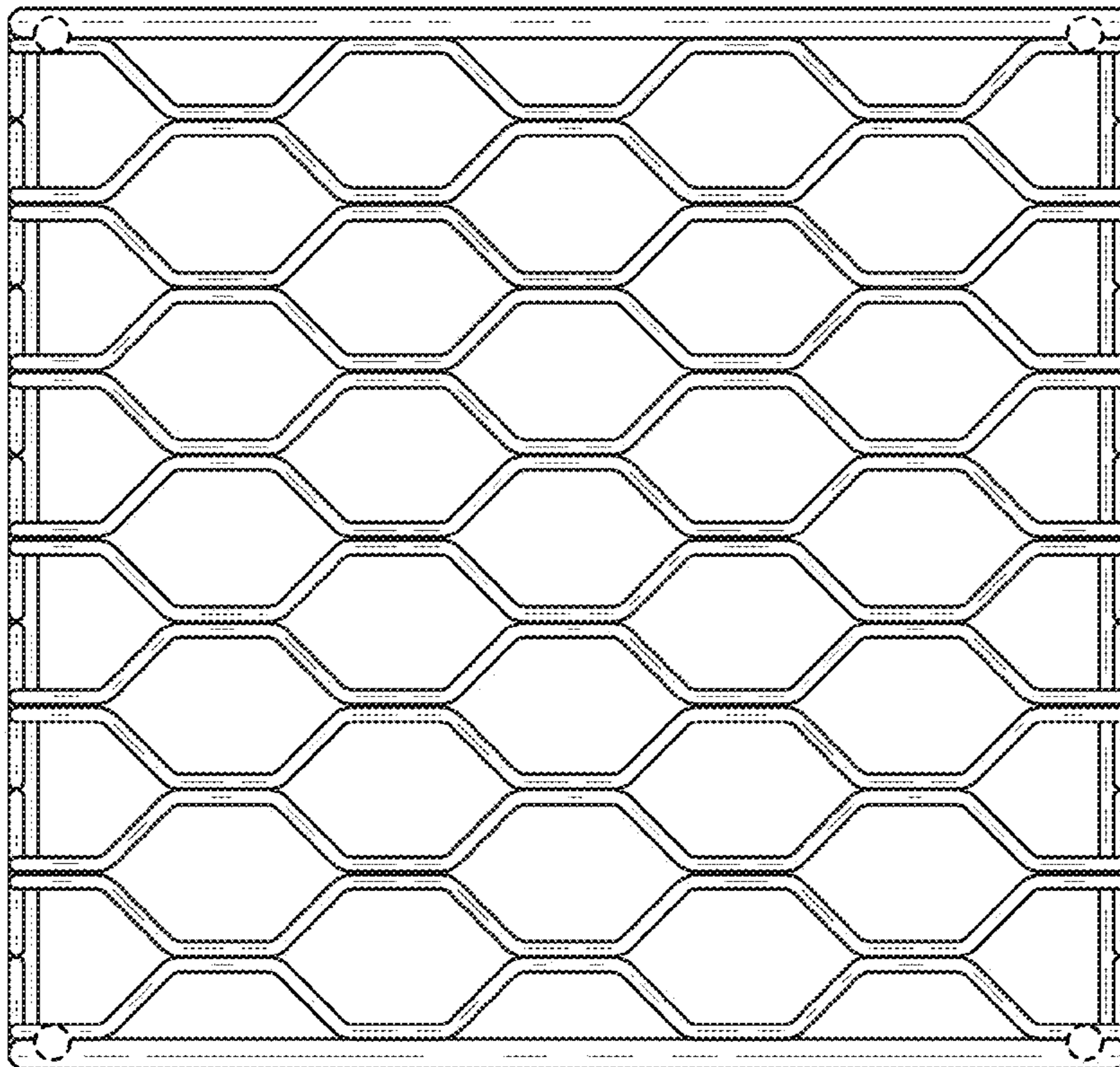


FIG. 7