



US00D929191S

(12) **United States Design Patent** (10) **Patent No.:** **US D929,191 S**
Rogers et al. (45) **Date of Patent:** **** Aug. 31, 2021**

(54) **INSULATING DEVICE**
(71) Applicant: **YETI Coolers, LLC**, Austin, TX (US)
(72) Inventors: **Kyle Edward Rogers**, Austin, TX (US); **Jeffrey Charles Munie**, Austin, TX (US); **John Loudenslager**, Austin, TX (US)
(73) Assignee: **YETI Coolers, LLC**, Austin, TX (US)

2,119,621 A 6/1938 Ferrone
2,253,598 A 8/1941 Africa
2,289,254 A 7/1942 Eagles
2,429,538 A 10/1947 Wood
2,522,381 A 9/1950 Kramer
2,556,066 A * 6/1951 Cline A45C 11/008
190/111
2,570,300 A 10/1951 Acton
2,575,191 A 11/1951 Seipp
(Continued)

(**) Term: **15 Years**

(21) Appl. No.: **29/713,414**

(22) Filed: **Nov. 15, 2019**

(51) **LOC (13) Cl.** **07-01**

(52) **U.S. Cl.**
USPC **D7/607; D7/709**

(58) **Field of Classification Search**
USPC D7/605, 606, 607, 709; D3/287, 276, D3/289, 283, 272-274, 201, 203.1-203.8
CPC B65D 81/3897; B65D 81/38; B65D 81/3813; B65D 81/3816; B65D 81/3818; B65D 81/382; B65D 81/3823; B65D 81/3825; B65D 81/3827; B65D 81/383; B65D 81/3832; B65D 81/3834; B65D 81/3848; B65D 81/3851; B65D 81/3853; B65D 81/3855; B65D 81/3858; B65D 81/386; B65D 81/3862; F25D 3/08; F25D 3/02; F25D 3/04; F25D 3/06; F25D 3/14; F25D 3/107; F25D 2331/804; F25D 2331/801; A45C 11/20; A45C 3/00; A45C 2003/008

See application file for complete search history.

(56) **References Cited**

U.S. PATENT DOCUMENTS

210,994 A 12/1878 Carnagy
1,512,549 A 10/1924 Labadie et al.
1,587,655 A 6/1926 Kidwell
1,949,677 A 3/1934 Crawford

FOREIGN PATENT DOCUMENTS

AU 201614228 S 8/2016
AU 201614229 S 8/2016
(Continued)

OTHER PUBLICATIONS

Apr. 6, 2021—(CN) First Office Action—App. No. 201880035443.0.

(Continued)

Primary Examiner — Terry A Wallace
(74) *Attorney, Agent, or Firm* — Banner & Witcoff, Ltd.

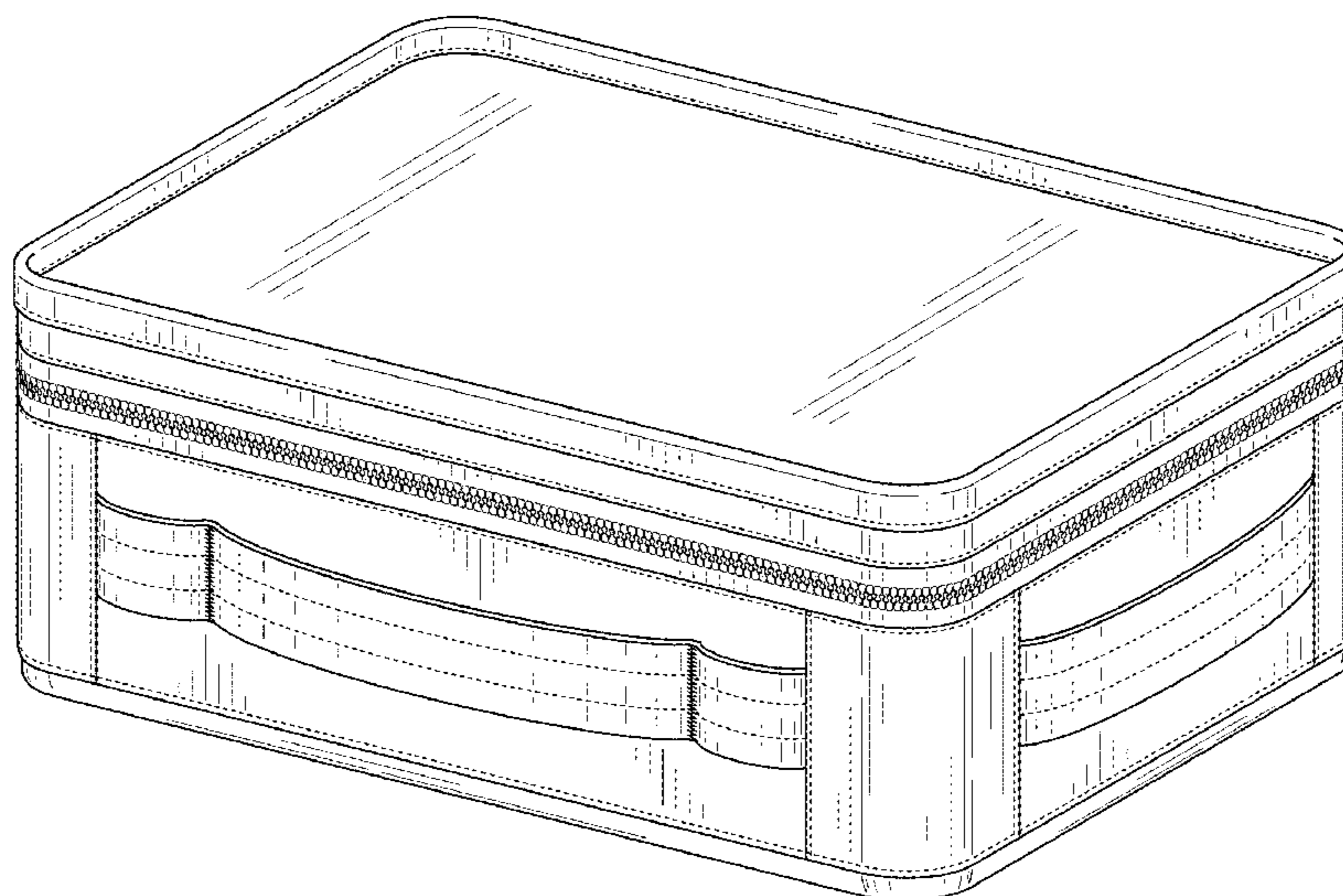
(57) **CLAIM**

The ornamental design for an insulating device, as shown and described.

DESCRIPTION

FIG. 1 is a top, front, right perspective view of an insulating device showing our new design;
FIG. 2 is a front view thereof;
FIG. 3 is a rear view thereof;
FIG. 4 is a right side view thereof;
FIG. 5 is a left side view thereof;
FIG. 6 is a top view thereof; and,
FIG. 7 is a bottom view thereof.
The dotted broken lines within the shaded area represent stitching that form part of the claimed design.

1 Claim, 5 Drawing Sheets



(56)

References Cited

U.S. PATENT DOCUMENTS

2,575,893 A	11/1951	Seaman	4,858,444 A	8/1989	Scott
2,623,566 A *	12/1952	Kibler A45C 11/008 190/125	4,867,214 A	9/1989	Fuller
2,633,223 A	3/1953	Zeamer	4,871,069 A	10/1989	Guimont
2,651,485 A	9/1953	Schutz	4,886,183 A	12/1989	Fleming
2,661,785 A	12/1953	Daust	4,941,603 A	7/1990	Creamer et al.
2,685,385 A	8/1954	Kuss	4,984,906 A	1/1991	Little
2,808,093 A	10/1957	Gilman	4,986,089 A	1/1991	Raab
2,883,041 A	4/1959	Pfeifer et al.	4,989,418 A	2/1991	Hewlett
2,954,891 A	10/1960	Imber	5,004,091 A	4/1991	Natho et al.
2,960,136 A	11/1960	Ziff	5,005,679 A	4/1991	Hjelle
3,031,121 A	4/1962	Chase	5,042,664 A	8/1991	Shyr et al.
3,035,733 A	5/1962	Knapp	5,048,734 A	9/1991	Long
3,066,846 A	12/1962	Domigan	5,062,557 A	11/1991	Mahvi et al.
3,157,303 A	11/1964	Siegel	5,190,376 A	3/1993	Book
3,203,517 A	8/1965	Stein	5,216,900 A	6/1993	Jones
3,454,197 A	7/1969	Thompson	5,221,016 A	6/1993	Karpal
3,455,359 A	7/1969	Schweizer	5,237,838 A	8/1993	Merritt-Munson
3,743,522 A	7/1973	Nagasawa et al.	5,244,136 A	9/1993	Collaso
3,801,425 A	4/1974	Cook	D339,979 S	10/1993	Wehrley
3,814,288 A	6/1974	Westrich	D340,387 S	10/1993	Melk
3,834,044 A	9/1974	McAusland et al.	D340,621 S	10/1993	Melk
3,905,511 A	9/1975	Groendal	5,253,395 A	10/1993	Yano
4,024,731 A	5/1977	Branscum	D340,840 S	11/1993	Melk
4,125,212 A	11/1978	Courchesne	5,269,368 A	12/1993	Schneider et al.
4,127,155 A	11/1978	Hydorn	D343,992 S	2/1994	Melk
4,143,695 A	3/1979	Hoehn	5,297,870 A	3/1994	Weldon
4,194,627 A	3/1980	Christensen	5,313,807 A	5/1994	Owen
4,196,817 A	4/1980	Moser	D347,971 S	6/1994	Krugman
4,197,890 A	4/1980	Simko	5,325,991 A	7/1994	Williams
4,210,186 A	7/1980	Belenson	D349,428 S	8/1994	Krugman
4,211,091 A	7/1980	Campbell	5,354,131 A	10/1994	Mogil
4,211,267 A	7/1980	Skovgaard	5,355,684 A	10/1994	Guice
4,248,366 A	2/1981	Christiansen	5,398,848 A	3/1995	Padamsee
D265,948 S	8/1982	Stark	5,400,610 A	3/1995	Macedo
4,344,303 A	8/1982	Kelly, Jr.	5,403,095 A	4/1995	Melk
4,372,453 A	2/1983	Branscum	5,421,172 A	6/1995	Jones
4,375,828 A	3/1983	Biddison	5,447,764 A	9/1995	Langford
D268,879 S	5/1983	Outcalt	5,472,279 A	12/1995	Lin
4,399,668 A	8/1983	Williamson	5,490,396 A	2/1996	Morris
4,468,933 A	9/1984	Christopher	5,509,279 A	4/1996	Brown et al.
4,513,895 A	4/1985	Leslie	5,509,734 A	4/1996	Ausnit
4,515,421 A	5/1985	Steffes	D370,599 S	6/1996	Christopher et al.
4,521,910 A	6/1985	Keppel et al.	D371,051 S	6/1996	Melk
4,524,493 A	6/1985	Inamura	D371,052 S	6/1996	Melk
4,537,313 A	8/1985	Workman	5,529,217 A	6/1996	Siegel
4,541,540 A	9/1985	Gretz et al.	D373,515 S	9/1996	Melk
D281,122 S	10/1985	Bomes et al.	5,553,759 A	9/1996	McMaster et al.
D281,546 S	12/1985	Bradshaw	5,562,228 A	10/1996	Ericson
D281,646 S	12/1985	Bomes et al.	5,564,568 A	10/1996	Rankin, Sr.
D282,602 S	2/1986	Allen	5,569,401 A	10/1996	Gilliland et al.
4,571,338 A	2/1986	Okonogi et al.	5,595,320 A	1/1997	Aghassipour
4,595,101 A	6/1986	Rivera	D382,771 S	8/1997	Mogil
4,596,370 A	6/1986	Adkins	D382,772 S	8/1997	Mogil
D284,620 S	7/1986	Calton	D383,360 S	9/1997	Melk
4,598,746 A	7/1986	Rabinowitz	5,680,944 A	10/1997	Rueter
4,637,063 A	1/1987	Sullivan et al.	5,680,958 A	10/1997	Mann et al.
D289,128 S	4/1987	Bradshaw	D386,310 S	11/1997	Smith
4,673,117 A	6/1987	Calton	5,687,874 A	11/1997	Omori et al.
4,679,242 A	7/1987	Brockhaus	D387,249 S	12/1997	Mogil
4,708,254 A	11/1987	Byrns	5,706,969 A	1/1998	Yamada et al.
4,746,028 A	5/1988	Bagg	5,732,867 A	3/1998	Perkins et al.
4,759,077 A	7/1988	Leslie	D394,553 S	5/1998	Lin
4,765,476 A	8/1988	Lee	D395,555 S	6/1998	Ursitti
4,796,785 A	1/1989	Merritt	5,758,513 A	6/1998	Smith
4,796,937 A	1/1989	Andrea	5,779,089 A	7/1998	West
4,802,344 A	2/1989	Livingston et al.	D397,273 S	8/1998	Collie
4,802,602 A	2/1989	Evans et al.	5,816,709 A	10/1998	Demus
4,805,776 A	2/1989	Namgyal et al.	D401,063 S	11/1998	Yamamoto et al.
4,812,054 A	3/1989	Kirkendall	5,842,571 A	12/1998	Rausch
4,817,769 A	4/1989	Saliba	5,845,514 A	12/1998	Clarke et al.
4,825,514 A	5/1989	Akeno	5,848,734 A	12/1998	Melk
4,826,060 A	5/1989	Hollingsworth	5,857,778 A	1/1999	Ells
4,829,603 A	5/1989	Schnoor et al.	D409,376 S	5/1999	Golenz et al.
4,841,603 A	6/1989	Ragni	5,904,230 A	5/1999	Peterson
			5,909,821 A	6/1999	Guridi
			5,913,448 A	6/1999	Mann et al.
			5,915,580 A	6/1999	Melk
			5,931,583 A	8/1999	Collie
			D414,379 S	9/1999	Haberkorn

(56)

References Cited

U.S. PATENT DOCUMENTS

5,954,253	A	9/1999	Swetish	D485,131	S	1/2004	Lanman et al.
5,988,468	A	11/1999	Murdoch et al.	D485,732	S	1/2004	Lanman et al.
5,988,879	A	11/1999	Bredderman et al.	D486,038	S	2/2004	Lanman et al.
6,019,245	A	2/2000	Foster et al.	6,688,470	B2	2/2004	Dege et al.
6,027,249	A	2/2000	Bielinski	6,729,758	B1	5/2004	Carter
6,029,847	A	2/2000	Mahoney, Jr. et al.	D492,160	S	6/2004	Lanman et al.
6,048,099	A	4/2000	Muffett et al.	D497,518	S	10/2004	Bellofatto, Jr. et al.
D424,417	S	5/2000	Axelsson	6,799,693	B2	10/2004	Meza
6,059,140	A	5/2000	Hicks	D498,924	S	11/2004	Karl
6,065,873	A	5/2000	Fowler	D501,600	S	2/2005	Guyon
6,068,402	A	5/2000	Freese et al.	D502,599	S	3/2005	Cabana et al.
6,070,718	A	6/2000	Drabwell	D503,279	S	3/2005	Smith
6,073,796	A	6/2000	Mogil	6,874,356	B2	4/2005	Kornfeldt et al.
6,082,589	A	7/2000	Ash et al.	D506,645	S	6/2005	Bellofatto, Jr. et al.
6,082,896	A	7/2000	Pulli	6,925,834	B2	8/2005	Fuchs
6,089,038	A	7/2000	Tattam	D512,274	S	12/2005	Cabey
6,092,266	A	7/2000	Lee	D515,362	S	2/2006	Chan
6,092,661	A	7/2000	Mogil	D516,099	S	2/2006	Maruyama
6,105,214	A	8/2000	Press	D516,870	S	3/2006	Martinez et al.
6,113,268	A	9/2000	Thompson	D517,801	S	3/2006	Woo
6,116,045	A	9/2000	Hodosh et al.	D520,306	S	5/2006	Peterson
6,128,915	A	10/2000	Wagner	D522,811	S	6/2006	Martinez et al.
6,129,254	A	10/2000	Yu	D523,243	S	6/2006	Nashmy
6,139,188	A	10/2000	Marzano	D527,226	S	8/2006	Maldonado
6,145,715	A	11/2000	Slonim	D530,089	S	10/2006	Silverman
6,149,305	A	11/2000	Fier	7,153,025	B1	12/2006	Jackson et al.
D437,110	S	2/2001	Ivarson et al.	D534,352	S	1/2007	Delafontaine
6,193,034	B1	2/2001	Fournier	D534,771	S	1/2007	Zorn
6,209,343	B1	4/2001	Owen	D535,099	S	1/2007	Johansson et al.
6,220,473	B1	4/2001	Lehman et al.	D535,820	S	1/2007	Kamiya
6,234,677	B1	5/2001	Mogil	7,160,028	B1	1/2007	Linday
6,237,776	B1	5/2001	Mogil	7,162,890	B2	1/2007	Mogil et al.
6,244,458	B1	6/2001	Frysinger et al.	D539,033	S	3/2007	Cassegrain
6,247,328	B1	6/2001	Mogil	D540,037	S	4/2007	Newson
6,253,570	B1	7/2001	Lustig	7,201,285	B2	4/2007	Beggins
6,276,579	B1	8/2001	DeLoach	7,207,716	B2	4/2007	Buchanan et al.
D447,632	S	9/2001	Gisser	7,219,814	B2	5/2007	Lown et al.
D447,667	S	9/2001	Schneider et al.	7,240,513	B1	7/2007	Conforti
6,286,709	B1	9/2001	Hudson	D547,941	S	8/2007	Lucena
6,296,134	B1	10/2001	Cardinale	D548,459	S	8/2007	Harvey
6,296,165	B1	10/2001	Mears	D550,448	S	9/2007	Boje et al.
6,298,993	B1	10/2001	Kalozdi	7,264,134	B2	9/2007	Tulp
6,336,342	B1	1/2002	Zeddies	D557,667	S	12/2007	Kawamura et al.
6,336,577	B1	1/2002	Harris et al.	7,302,810	B2	12/2007	McCroy
6,347,706	B1	2/2002	D'Ambrosio	D560,102	S	1/2008	Sumter
6,353,215	B1	3/2002	Revels et al.	7,313,927	B2	1/2008	Barker
D455,934	S	4/2002	Culp et al.	7,344,028	B2	3/2008	Hanson
6,363,739	B1	4/2002	Hodosh et al.	D566,484	S	4/2008	George
D457,307	S	5/2002	Pukall et al.	7,353,952	B2	4/2008	Swartz et al.
6,409,066	B1	6/2002	Schneider et al.	D570,603	S	6/2008	Wu et al.
6,422,032	B1	7/2002	Greene	D573,422	S	7/2008	Tagliati et al.
6,439,389	B1	8/2002	Mogil	D574,667	S	8/2008	Grabijas, III et al.
D464,235	S	10/2002	Jeong	D578,401	S	10/2008	Perry et al.
D465,134	S	11/2002	Joss	D582,151	S	12/2008	Gonzalez
6,481,239	B2	11/2002	Hodosh et al.	D583,152	S	12/2008	Keeney
D466,291	S	12/2002	Ng	7,481,065	B2	1/2009	Krieger
6,495,194	B2	12/2002	Sato et al.	7,527,430	B2	5/2009	Suskind
6,505,479	B2	1/2003	Defelice et al.	D598,194	S	8/2009	Turvey et al.
6,511,695	B1	1/2003	Paquin et al.	7,597,478	B2	10/2009	Pruchnicki et al.
6,513,661	B1	2/2003	Mogil	D603,606	S	11/2009	Wang
D472,431	S	4/2003	Spence, Jr.	7,634,919	B2	12/2009	Bernhard, Jr. et al.
6,554,155	B1	4/2003	Beggins	D607,697	S	1/2010	Whitlock et al.
D474,649	S	5/2003	Spence, Jr.	D608,096	S	1/2010	Noble
6,582,124	B2	6/2003	Mogil	D608,159	S	1/2010	Whitlock et al.
D476,481	S	7/2003	Gilbert	D610,795	S	3/2010	Dejadon
6,595,687	B2	7/2003	Godshaw et al.	D611,706	S	3/2010	Angles et al.
D478,782	S	8/2003	Li	7,669,436	B2	3/2010	Mogil et al.
6,604,649	B1	8/2003	Campi	7,677,406	B2	3/2010	Maxson
6,605,311	B2	8/2003	Villagran et al.	7,682,080	B2	3/2010	Mogil
6,619,447	B1	9/2003	Garcia, III et al.	D617,560	S	6/2010	Wu
6,626,342	B1	9/2003	Gleason	7,730,739	B2	6/2010	Fuchs
6,629,430	B2	10/2003	Mills et al.	D618,966	S	7/2010	Koehler et al.
D482,241	S	11/2003	Tyler	D619,423	S	7/2010	Koehler et al.
6,652,933	B2	11/2003	Hall	D619,854	S	7/2010	Koehler et al.
6,655,543	B2	12/2003	Beuke	D619,855	S	7/2010	Koehler et al.
				7,757,878	B2	7/2010	Mogil et al.
				D620,707	S	8/2010	Mogil
				D620,708	S	8/2010	Sanz
				7,775,388	B2	8/2010	Murrer, III

(56)

References Cited

U.S. PATENT DOCUMENTS

7,784,759 B2	8/2010	Farrell	
7,791,003 B2	9/2010	Lockhart et al.	
7,811,620 B2	10/2010	Merrill et al.	
7,815,069 B1	10/2010	Bellofatto et al.	
D626,329 S	11/2010	Chapelier	
D627,199 S	11/2010	Pruchnicki	
7,841,207 B2	11/2010	Mogil et al.	
D629,612 S	12/2010	Weldon	
7,874,177 B2	1/2011	Azamy	
7,886,936 B2	2/2011	Helline	
7,900,816 B2	3/2011	Kastanek et al.	
D638,220 S	5/2011	Chu et al.	
D642,870 S	8/2011	Whitlock et al.	
7,988,006 B2	8/2011	Mogil et al.	
D645,662 S	9/2011	Perez	
8,016,090 B2	9/2011	McCoy et al.	
8,043,004 B2	10/2011	Mogil	
D648,532 S	11/2011	Sosnovsky	
8,061,159 B2	11/2011	Mogil et al.	
D650,169 S	12/2011	Klifa	
8,079,451 B2	12/2011	Rothschild et al.	
8,096,442 B2	1/2012	Ramundi	
D659,998 S *	5/2012	Austin	D3/301
D662,316 S	6/2012	Nitkin	
8,191,747 B2	6/2012	Pruchnicki	
D664,261 S	7/2012	Kravitz et al.	
8,209,995 B2	7/2012	Kieling et al.	
D666,896 S	9/2012	Pinholster, Jr. et al.	
D667,043 S	9/2012	Couch, III	
8,281,950 B2	10/2012	Potts et al.	
8,292,119 B2	10/2012	Kenneally	
8,302,749 B2	11/2012	Melmon et al.	
8,327,659 B2	12/2012	Winkler et al.	
D673,363 S	1/2013	Crandall	
D674,246 S	1/2013	Scott et al.	
D674,664 S	1/2013	Collie	
8,424,319 B2	4/2013	Whewell, Jr.	
8,424,713 B2	4/2013	Bolland	
8,430,284 B2	4/2013	Broadbent et al.	
D682,635 S	5/2013	Boroski	
8,453,899 B1	6/2013	Calkin	
D686,412 S	7/2013	Guichot	
8,474,640 B2	7/2013	Armstrong	
8,516,848 B2	8/2013	White et al.	
8,544,678 B1	10/2013	Hughes	
8,573,002 B2	11/2013	Ledoux et al.	
D695,568 S	12/2013	Hayes	
8,622,235 B2	1/2014	Suchecky	
D699,940 S	2/2014	Robert	
D699,941 S	2/2014	Robert	
8,646,970 B2	2/2014	Mogil	
D703,946 S	5/2014	Tweedie	
8,720,739 B2	5/2014	Bollis	
8,777,045 B2	7/2014	Mitchell et al.	
D710,085 S	8/2014	Szewczyk	
D711,096 S	8/2014	Hanna	
D712,555 S	9/2014	Berg	
8,827,109 B1	9/2014	Sheehan	
8,844,756 B2	9/2014	Beyburg	
D715,544 S	10/2014	Levine	
8,857,654 B2	10/2014	Mogil et al.	
D717,041 S	11/2014	Pulliam	
D718,053 S	11/2014	McFreen	
8,875,964 B1	11/2014	Vanderberg	
8,893,940 B2	11/2014	Green et al.	
D718,931 S	12/2014	Brundl	
D719,303 S	12/2014	Anderson	
8,899,071 B2	12/2014	Mogil et al.	
D723,804 S *	3/2015	Coleman	D3/301
D725,908 S	4/2015	Zwetzig	
D728,942 S	5/2015	Byham	
D732,295 S	6/2015	Aafjes	
D732,348 S	6/2015	Seiders et al.	
D732,349 S	6/2015	Seiders et al.	
D732,350 S	6/2015	Seiders et al.	
D732,899 S	6/2015	Seiders et al.	
D734,643 S	7/2015	Boroski	
D734,992 S	7/2015	Boroski	
9,084,463 B2	7/2015	Merrill	
D738,108 S	9/2015	Adler et al.	
D739,654 S	9/2015	Brouard	
9,138,033 B2	9/2015	Kojima et al.	
9,139,352 B2	9/2015	Seiders et al.	
9,146,051 B2	9/2015	Kamin et al.	
D744,786 S	12/2015	Bagwell	
D747,104 S	1/2016	Ford	
9,226,558 B2	1/2016	Armstrong	
D749,653 S	2/2016	Carnes	
D750,140 S	2/2016	Cross	
9,254,022 B2	2/2016	Meldeau et al.	
9,254,023 B2	2/2016	Su et al.	
9,265,318 B1	2/2016	Williams et al.	
D752,347 S	3/2016	Seiders et al.	
9,271,553 B2	3/2016	Ponx	
9,272,475 B2	3/2016	Ranade et al.	
9,290,313 B2	3/2016	De Lesseux et al.	
D752,860 S	4/2016	Barilaro et al.	
9,314,069 B2	4/2016	Takazawa	
D756,109 S	5/2016	Hayashi	
D756,638 S	5/2016	Frisoni	
9,366,467 B2	6/2016	Kiedaisch et al.	
9,375,061 B2	6/2016	Mosee	
D760,494 S	7/2016	Harvey-Pankey	
D761,561 S	7/2016	Cheng	
D762,384 S	8/2016	Boroski	
D763,570 S	8/2016	Potts	
D764,791 S	8/2016	Patel	
D764,873 S	8/2016	Collie	
9,408,445 B2	8/2016	Mogil et al.	
D765,395 S	9/2016	Sanz	
D765,967 S	9/2016	Boroski	
D766,571 S	9/2016	Boroski	
D768,981 S	10/2016	Kliot	
D768,987 S	10/2016	Blumenfeld	
D770,761 S	11/2016	Deioma et al.	
D770,763 S	11/2016	Joo et al.	
D771,372 S	11/2016	Kelly et al.	
D772,562 S	11/2016	Petre	
9,545,134 B1	1/2017	Tan	
D778,045 S	2/2017	Ruddis	
D778,609 S *	2/2017	Gardner	D3/301
D782,820 S	4/2017	Thompson	
D784,010 S	4/2017	Dumas	
9,630,750 B2	4/2017	Gardner et al.	
D785,325 S	5/2017	Samrelius et al.	
D786,559 S	5/2017	Seiders et al.	
D786,560 S	5/2017	Seiders et al.	
D786,561 S	5/2017	Seiders et al.	
D786,562 S	5/2017	Seiders et al.	
D787,187 S	5/2017	Seiders et al.	
D789,080 S	6/2017	Caffagni	
D792,167 S	7/2017	Bradley	
D792,486 S	7/2017	Li et al.	
D793,089 S	8/2017	Jackson	
D796,185 S	9/2017	Masten	
D797,454 S	9/2017	Seiders et al.	
D797,455 S	9/2017	Seiders et al.	
D798,670 S	10/2017	Seiders et al.	
D799,276 S	10/2017	Seiders et al.	
D799,277 S	10/2017	Seiders et al.	
D799,823 S	10/2017	Schartle	
D799,905 S	10/2017	Seiders et al.	
D800,443 S	10/2017	Burton et al.	
D800,444 S	10/2017	Burton et al.	
D801,123 S	10/2017	Seiders et al.	
9,796,517 B2	10/2017	Seiders et al.	
D802,028 S	11/2017	Li	
D802,029 S	11/2017	Li	
D802,373 S	11/2017	Seiders et al.	
D802,630 S	11/2017	Li et al.	
9,809,376 B2	11/2017	Mitchell et al.	
D805,851 S	12/2017	Sullivan et al.	
9,840,178 B2	12/2017	Baker	
D808,173 S	1/2018	Seiders et al.	

(56)

References Cited

U.S. PATENT DOCUMENTS

D808,175 S	1/2018	Seiders et al.	10,314,377 B2 *	6/2019	Stephens	A45C 13/005
D808,655 S	1/2018	Seiders et al.	10,322,867 B2	6/2019	Furneaux et al.	
D808,730 S	1/2018	Sullivan et al.	D859,934 S	9/2019	Seiders et al.	
D809,869 S	2/2018	Seiders et al.	D862,177 S	10/2019	Seiders et al.	
D811,082 S	2/2018	Lehan	D862,528 S	10/2019	Sullivan et al.	
9,901,153 B2	2/2018	Nash	D867,823 S	11/2019	Jacobsen	
D811,746 S	3/2018	Seiders et al.	D868,544 S	12/2019	Lin et al.	
D813,539 S	3/2018	Van Assche	D880,254 S	4/2020	Jacobsen	
D814,879 S	4/2018	Larson et al.	D886,537 S	6/2020	Jacobsen	
D815,496 S	4/2018	Larson et al.	D886,538 S	6/2020	Jacobsen	
9,943,150 B2	4/2018	Morrow	D886,539 S	6/2020	Jacobsen	
D817,106 S	5/2018	Larson et al.	D894,692 S	9/2020	Herold	
D817,107 S	5/2018	Larson et al.	D896,039 S	9/2020	Seiders et al.	
D817,722 S	5/2018	Bradley	D896,591 S	9/2020	Seiders et al.	
D819,966 S	6/2018	Yu	D897,780 S	10/2020	Seiders et al.	
D819,967 S	6/2018	Carter et al.	D899,197 S	10/2020	Seiders et al.	
D821,825 S	7/2018	Sullivan et al.	D899,865 S	10/2020	Shi	
D822,987 S	7/2018	Seiders et al.	10,806,225 B2	10/2020	Sitnikova	
D822,997 S	7/2018	Seiders et al.	D902,664 S	11/2020	Munie et al.	
D823,601 S	7/2018	Seiders et al.	10,827,808 B2	11/2020	Seiders et al.	
D823,602 S	7/2018	Seiders et al.	D904,830 S	12/2020	Meda et al.	
10,010,162 B1	7/2018	Woods et al.	2002/0012480 A1	1/2002	Konno	
10,029,842 B2	7/2018	Seiders et al.	2002/0197369 A1	12/2002	Modler	
D824,660 S	8/2018	Ross	2003/0070447 A1	4/2003	Tanaka	
D824,666 S	8/2018	Carter et al.	2003/0080133 A1	5/2003	Butler	
D824,671 S	8/2018	Pennington	2003/0106895 A1	6/2003	Kalal	
D824,731 S	8/2018	Sullivan et al.	2003/0136702 A1	7/2003	Redzisz et al.	
D827,299 S	9/2018	Vickery	2003/0149461 A1	8/2003	Johnson	
D828,112 S	9/2018	Furneaux et al.	2003/0175394 A1	9/2003	Modler	
D828,728 S	9/2018	Jacobsen	2004/0004111 A1	1/2004	Cardinale	
D829,244 S	9/2018	Sullivan et al.	2004/0028296 A1	2/2004	Meli	
D830,048 S	10/2018	McQueeny	2004/0035143 A1	2/2004	Mogil	
D830,132 S	10/2018	Sullivan et al.	2004/0074936 A1	4/2004	McDonald	
D830,133 S	10/2018	Sullivan et al.	2004/0094589 A1	5/2004	Fricano	
D830,134 S	10/2018	Sullivan et al.	2004/0136621 A1	7/2004	Mogil	
D832,653 S	11/2018	Waskow et al.	2004/0144783 A1	7/2004	Anderson et al.	
10,138,048 B2	11/2018	Mitchell et al.	2004/0149600 A1	8/2004	Wolter et al.	
D834,817 S	12/2018	Hoppe et al.	2004/0164084 A1	8/2004	Cooper	
D834,895 S	12/2018	Triska et al.	2004/0237266 A1	12/2004	Wang	
D835,473 S	12/2018	Jacobsen	2005/0016895 A1	1/2005	Glenn	
D835,949 S	12/2018	Triska et al.	2005/0034947 A1	2/2005	Nykoluk	
D835,950 S	12/2018	Jacobsen	2005/0045520 A1	3/2005	Johnson	
D836,996 S	1/2019	Jacobsen	2005/0045521 A1	3/2005	Johnson et al.	
D836,997 S	1/2019	Jacobsen	2005/0056669 A1	3/2005	Lavelle	
D836,998 S	1/2019	Jacobsen	2005/0072181 A1	4/2005	Mogil et al.	
D836,999 S	1/2019	Jacobsen	2005/0133399 A1	6/2005	Fidrych	
D837,000 S	1/2019	Jacobsen	2005/0155891 A1	7/2005	Chen	
D837,001 S	1/2019	Jacobsen	2005/0183446 A1	8/2005	Fuchs	
D839,682 S	2/2019	Jacobsen	2005/0196510 A1	9/2005	Walters	
D840,194 S	2/2019	Furneaux et al.	2005/0205459 A1	9/2005	Mogil et al.	
D840,689 S	2/2019	Seiders et al.	2005/0262871 A1	12/2005	Bailey-Weston	
D840,761 S	2/2019	Seiders et al.	2005/0263528 A1	12/2005	Maldonado et al.	
D840,762 S	2/2019	Seiders et al.	2005/0279124 A1	12/2005	Maldonado	
D840,763 S	2/2019	Seiders et al.	2006/0007266 A1	1/2006	Silverbrook	
D840,764 S	2/2019	Seiders et al.	2006/0010660 A1	1/2006	Stenhall	
D841,325 S	2/2019	Buynar	2006/0021376 A1	2/2006	Scroggs	
D842,048 S	3/2019	Wells	2006/0102497 A1	5/2006	Wulf	
D844,975 S	4/2019	Munie et al.	2006/0151533 A1	7/2006	Simunovic et al.	
D844,976 S	4/2019	Munie et al.	2006/0201979 A1	9/2006	Achilles	
D844,977 S	4/2019	Munie et al.	2006/0239593 A1	10/2006	Fidrych	
D844,978 S	4/2019	Munie et al.	2006/0240159 A1	10/2006	Cash et al.	
D844,979 S	4/2019	Munie et al.	2006/0248902 A1	11/2006	Hunnell	
D844,992 S	4/2019	Seiders et al.	2007/0012593 A1	1/2007	Kitchens et al.	
D845,625 S	4/2019	Barlier	2007/0148305 A1	6/2007	Sherwood et al.	
D846,275 S	4/2019	Barlier	2007/0148307 A1	6/2007	Sherwood et al.	
D847,500 S	5/2019	Lagerfeld	2007/0164063 A1	7/2007	Concepcion	
D848,219 S	5/2019	Munie et al.	2007/0199966 A1	8/2007	Korchmar	
D848,220 S	5/2019	Munie et al.	2007/0217187 A1	9/2007	Blakely et al.	
D848,221 S	5/2019	Munie et al.	2007/0221693 A1	9/2007	Moore	
D848,222 S	5/2019	Munie et al.	2007/0237432 A1	10/2007	Mogil	
D848,223 S	5/2019	Munie et al.	2007/0261977 A1	11/2007	Sakai	
D848,798 S	5/2019	Munie et al.	2007/0274613 A1	11/2007	Pruchnicki et al.	
D849,398 S	5/2019	Tan	2007/0290816 A1	12/2007	Bedard	
D849,486 S	5/2019	Munie et al.	2008/0038424 A1	2/2008	Krusemann	
10,279,980 B2	5/2019	James, Jr.	2008/0073364 A1	3/2008	Simmons	
			2008/0105282 A1	5/2008	Fernholz et al.	
			2008/0128421 A1	6/2008	Ulbrand et al.	
			2008/0160149 A1	7/2008	Nasrallah et al.	
			2008/0164265 A1	7/2008	Conforti	

(56)

References Cited

U.S. PATENT DOCUMENTS

2008/0178865 A1 7/2008 Retterer
 2008/0189918 A1 8/2008 Kusayama
 2008/0245096 A1 10/2008 Hanson et al.
 2008/0260303 A1 10/2008 De Lesseux et al.
 2008/0264925 A1 10/2008 Lockhart et al.
 2008/0305235 A1 12/2008 Gao et al.
 2009/0052809 A1 2/2009 Sampson
 2009/0080808 A1 3/2009 Hagen
 2009/0095757 A1 4/2009 Ramundi
 2009/0242619 A1 10/2009 Blomberg
 2009/0280229 A1 11/2009 Constantine et al.
 2009/0311378 A1 12/2009 Wilaschin et al.
 2009/0317514 A1 12/2009 Sizer
 2010/0047423 A1 2/2010 Kruesemann et al.
 2010/0059199 A1 3/2010 Court
 2010/0075006 A1 3/2010 Semenza
 2010/0108694 A1 5/2010 Sedlbauer et al.
 2010/0136203 A1 6/2010 Sakata et al.
 2010/0143567 A1 6/2010 Ye et al.
 2010/0224660 A1 9/2010 Gleason
 2010/0269311 A1 10/2010 Jacobsen
 2010/0284631 A1 11/2010 Lee
 2010/0284634 A1 11/2010 Hadley
 2011/0003975 A1 1/2011 Arase et al.
 2011/0005042 A1 1/2011 Thomas et al.
 2011/0005739 A1 1/2011 Finney et al.
 2011/0030415 A1 2/2011 Breyburg et al.
 2011/0097442 A1 4/2011 Harju et al.
 2011/0108562 A1 5/2011 Lyons
 2011/0155611 A1 6/2011 Armstrong
 2011/0167863 A1 7/2011 Herrbold
 2011/0182532 A1 7/2011 Baltus
 2011/0191933 A1 8/2011 Gregory et al.
 2011/0284601 A1 11/2011 Pullin
 2011/0311166 A1 12/2011 Pascua
 2012/0106130 A1 5/2012 Beaudette
 2012/0137637 A1 6/2012 Gillis
 2012/0180184 A1 7/2012 Crye
 2012/0181211 A1 7/2012 Charlebois
 2012/0187138 A1 7/2012 Vasquez et al.
 2012/0261445 A1 10/2012 Demskey
 2012/0294550 A1 11/2012 Hassman et al.
 2012/0311828 A1 12/2012 Nir
 2013/0014355 A1 1/2013 Lee
 2013/0043285 A1 2/2013 Cordray
 2013/0174600 A1 7/2013 Sarcinella
 2013/0200083 A1 8/2013 Cunningham
 2013/0216158 A1 8/2013 Meldeau et al.
 2013/0243354 A1 9/2013 Lytle
 2013/0264350 A1 10/2013 Handlon et al.
 2013/0294712 A1 11/2013 Seuk
 2013/0341338 A1 12/2013 Mitchell et al.
 2014/0023295 A1 1/2014 Wagner
 2014/0034543 A1 2/2014 Grubstein
 2014/0138378 A1 5/2014 Lequeux
 2014/0151172 A1 6/2014 Diaz
 2014/0226920 A1 8/2014 Passavia
 2014/0248003 A1 9/2014 Mogil et al.
 2014/0254956 A1 9/2014 Buell, III
 2014/0270590 A1 9/2014 Ostroy
 2014/0304954 A1 10/2014 La Rocca et al.
 2014/0345314 A1 11/2014 Cox et al.
 2014/0359978 A1 12/2014 Wang
 2014/0366336 A1 12/2014 Chung
 2015/0008242 A1 1/2015 Kpabar, Jr.
 2015/0114024 A1 4/2015 Grepper
 2015/0136796 A1 5/2015 Muehlhauser
 2015/0143672 A1 5/2015 Konaka et al.
 2015/0164153 A1 6/2015 Tsai
 2015/0175338 A1 6/2015 Culp et al.
 2015/0225164 A1 8/2015 Seiders et al.
 2015/0296945 A1 10/2015 Douglas
 2015/0305402 A1 10/2015 Bourgoin
 2015/0335202 A1 11/2015 Wisner et al.
 2015/0353263 A1 12/2015 Seiders et al.

2016/0058142 A1 3/2016 Buynar
 2016/0066817 A1 3/2016 Hannes
 2016/0095405 A1 4/2016 Wang
 2016/0100661 A1 4/2016 Redzisz et al.
 2016/0101924 A1 4/2016 Mitchell et al.
 2016/0107801 A1 4/2016 Armstrong
 2016/0107816 A1 4/2016 Larpenteur et al.
 2016/0198812 A1 7/2016 Tan
 2016/0198901 A1 7/2016 De Lesseux et al.
 2016/0221722 A1 8/2016 Burke et al.
 2016/0236849 A1 8/2016 Seiders et al.
 2016/0255943 A1 9/2016 Houston et al.
 2016/0257479 A1 9/2016 Seiders et al.
 2016/0338462 A1 11/2016 Hayashi
 2016/0338908 A1 11/2016 Rice et al.
 2016/0355319 A1 12/2016 Stephens
 2017/0036844 A1 2/2017 Seiders et al.
 2017/0066559 A1 3/2017 Kim et al.
 2017/0071304 A1 3/2017 Wang
 2017/0071305 A1 3/2017 Wang
 2017/0099920 A1 4/2017 Bailey
 2017/0119116 A1 5/2017 Bradley
 2017/0121059 A1 5/2017 Faris
 2017/0137205 A1 5/2017 Graf et al.
 2017/0208907 A1 7/2017 Chung
 2017/0210542 A1 7/2017 Seiders et al.
 2017/0225872 A1 8/2017 Collie
 2017/0265604 A1 9/2017 Martinson et al.
 2017/0280937 A1 10/2017 Mogil et al.
 2018/0016084 A1 1/2018 Xia et al.
 2018/0078008 A1 3/2018 Sturm
 2018/0098607 A1 4/2018 Seiders et al.
 2018/0162626 A1 6/2018 Munie et al.
 2018/0229911 A1 8/2018 Luo
 2018/0235324 A1 8/2018 Gordon
 2018/0242701 A1 8/2018 Seiders et al.
 2018/0263346 A1 9/2018 Stephens
 2018/0279733 A1 10/2018 Young et al.
 2018/0317620 A1 11/2018 Larson et al.
 2018/0360172 A1 12/2018 Chou
 2018/0370710 A1 12/2018 Luo
 2019/0037976 A1 2/2019 Cheng
 2019/0133281 A1 5/2019 Munie et al.
 2019/0142116 A1 5/2019 Cheng
 2019/0142117 A1 5/2019 Myerscough et al.
 2019/0170422 A1 6/2019 Dexter
 2020/0029658 A1 1/2020 Zhang
 2020/0037711 A1 2/2020 Kayahara et al.

FOREIGN PATENT DOCUMENTS

AU 201614230 S 8/2016
 BE 1015808 A6 9/2005
 CA 2243820 A1 1/2000
 CA 89737 A 6/2000
 CA 2300014 A1 8/2001
 CA 2327764 A1 6/2002
 CA 2433251 A1 12/2004
 CA 2483802 A1 4/2006
 CA 2498796 A1 9/2006
 CA 2499291 A1 9/2006
 CA 2503473 A1 10/2006
 CA 2548064 A1 11/2007
 CA 2549327 A1 11/2007
 CA 2633223 A1 12/2009
 CA 2782668 A1 12/2013
 CA 163677 A 6/2016
 CN 2125339 U 12/1992
 CN 2188899 Y 2/1995
 CN 201062136 Y 5/2008
 CN 101500900 A 8/2009
 CN 201948200 U 8/2011
 CN 101500900 B 9/2011
 CN 102232160 A 11/2011
 CN 301956022 6/2012
 CN 102717977 A 10/2012
 CN 202619972 U 12/2012
 CN 202959175 U 6/2013
 CN 103385657 A 11/2013

(56)

References Cited

FOREIGN PATENT DOCUMENTS		
CN	302623771	11/2013
CN	302623775	11/2013
CN	302746176	2/2014
CN	302769710	3/2014
CN	103763994 A	4/2014
CN	302956550	10/2014
CN	204120419 U	1/2015
CN	303100086	2/2015
CN	104709603 A	6/2015
CN	303342902	8/2015
CN	204763894 U	11/2015
CN	204802380 U	11/2015
CN	303459386	11/2015
CN	105520325 A	4/2016
CN	105819110 A	8/2016
CN	304259949	8/2017
CN	304373532	11/2017
CN	304906858	11/2018
CN	208259266 U	12/2018
DE	3539626 A1	5/1987
DE	20002689 U1	8/2000
DE	202011050174 U1	7/2011
DE	202013101115 U1	3/2013
EM	002182642-0001	2/2013
EM	002322552-0001	10/2013
EM	002745190-0001	9/2015
EM	004100048-0001	9/2017
EM	004100048-0002	9/2017
EM	003328608-0009	2/2019
EP	0037545 A2	10/1981
EP	0082131 A2	6/1983
EP	85534 A1	8/1983
EP	0158634 A1	10/1985
EP	0174159 A2	3/1986
EP	0238932 A1	9/1987
FR	1269009 A	8/1961
FR	2440886 A1	6/1980
GB	191415563 A	6/1915
GB	1600133 A	10/1981
GB	2249717 A	5/1992
GB	2023549 A	9/1992
GB	2335972 A	10/1999
GB	3004135	9/2002
GB	3006367	10/2002
GB	6028395	2/2018
JP	11051532	2/1999
JP	3275477 B2	4/2002
JP	D1160335	12/2002
JP	2003026258 A	1/2003
JP	D1213384	8/2004
JP	D1242111	6/2005
JP	2010023926 A	2/2010
JP	D1445624	7/2012
JP	D1469606	5/2013
JP	D1531414	8/2015
JP	D1543325	8/2015
KR	20020027739 A	4/2002
KR	20040092730 A	11/2004
KR	101282512 B1	7/2013
KR	300778570.0000	1/2015
KR	300808669.0000	8/2015
KR	300835242.0000	1/2016
KR	300853718.0000	5/2016
KR	300968949.0000	8/2018
KR	300978269.0000	10/2018
WO	9524146 A2	9/1995
WO	9812954 A1	4/1998
WO	02058500 A1	8/2002
WO	2006007266 A2	1/2006
WO	2006058538 A1	6/2006
WO	2007016092 A2	2/2007
WO	2010106296 A2	9/2010
WO	2010120199 A1	10/2010
WO	2012003543 A1	1/2012
WO	2014033450 A1	3/2014

WO	2014066026 A1	5/2014
WO	2016066817 A1	5/2016
WO	2017091761 A1	6/2017
WO	2017136754 A1	8/2017
WO	2017197230 A1	11/2017
WO	2018152402 A1	8/2018
WO	18165426 A1	9/2018
WO	19135922 A1	7/2019

OTHER PUBLICATIONS

United States District Court Western District of Texas, Austin Division, "Complaint for Damages and Injunctive Relief," *Yeti Coolers, LLC v. Olympia Tools International, Inc. d/b/a Coho Outdoors*, Case 1:19-cv-00912, Document 1, Filed Sep. 16, 2019, 235 pages.

United States District Court Western District of Texas, Austin Division, "Defendant Olympia Tools International, Inc. d/b/a Coho Outdoors' Answer and Counterclaims to Plaintiff's Original Complaint," *Yeti Coolers, LLC v. Olympia Tools International, Inc. d/b/a Coho Outdoors*, Case 1:19-cv-00912, filed Dec. 18, 2019, 48 pages.

Translation of FR 1269009A, Jackson, Jr., Jun. 26, 1961, p. 1, Fig. 2 (Year: 1961).

Mar. 20, 2020—(CN) Office Action—App. No. 201680076714.8.

Feb. 24, 2021—(WO) International Search Report & Written Opinion—PCT/US20/059783.

United States District Court Western District of Texas, Austin Division, "Complaint for Damages and Injunctive Relief for: (1)-(12) Patent Infringement in Violation of 35 U.S.C. § 271; and (13) Breach of Contract", *Yeti Coolers, LLC v. RTIC Outdoors, LLC; and Corporate Support & Fulfillment, LLC*, Case 1:21-cv-00214, filed Mar. 5, 2021, 338 pages.

Feb. 3, 2021—(EP) Extended Search Report—App. No. 18813247.6.

United States District Court Southern District of Texas Houston Division, "Plaintiff Yeti's Complaint for Patent Infringement", *Yeti Coolers, LLC v. Igloo Products Corporation*, Case 4:21-cv-00505, filed Feb. 12, 2021, 98 pages.

Jul. 14, 2020—(CA) Office Action—App. No. 3024101.

First Look: Yeti Hopper Flip Soft Cooler Review | GearJunkie which was published on the website; <https://gearjunkie.com/review-yeti-hopper-flip-12-soft-cooler> on Jul. 12, 2016.

Yeti Flip Review—YouTube which was published on the website <https://www.youtube.com/watch?v=97Vdb3lazdw> on Sep. 8, 2016.

Jul. 2, 2020—(AU) First Office Action—App. No. 201712263.

Jul. 2, 2020—(AU) First Office Action—App. No. 201712262.

Jul. 2, 2020—(AU) First Office Action—App. No. 201712264.

Jul. 2, 2020—(AU) First Office Action—App. No. 201712265.

Jul. 31, 2020—(CN) Second Office Action (with English Translation)—App. No. 201780020473.X.

Dec. 3, 2019—(CN) First Office Action—App. No. 201780020473.

Stopper Dry Bag, <http://www.seatosummit.com/products/display/181>, published date unknown, but prior to the filing date of the present application, Sea to Summit, United States.

Icemule Classic Cooler—Large (20L), <http://www.icemulecooler.com/icemule-classic-cooler-large-20l/>, published date unknown, but prior to the filing date of the present application, Icemule, United States.

Devonbuy.com: Thule Gauntlet 13" MacBook Pro Attaché. Published on Jul. 28, 2014. Retrieved from the internet at <http://www.devonbuy.com/thule-gauntlet-13-macbook-pro-attache/>, Feb. 24, 2016. 9 pages.

United States District Court for the Western District of Texas, Austin Division, "Defendants' Answer and Counterclaims to Yeti's Complaint," *Yeti Coolers, LLC, vs. RTIC Soft Sided Coolers, LLC, RTIC Coolers, LLC, RTIC Web Services, LLC, and Corporate Support and Fulfillment, LLC*, Case 1:16-cv-00909-RP, Document 11, Filed Aug. 18, 2016, 44 pages.

United States District Court Western District of Texas, Austin Division, "Complaint," *Yeti Coolers, LLC, v. RTIC Soft Bide Cool-*

(56)

References Cited

OTHER PUBLICATIONS

ers, RTIC Coolers, LLC, RTIC Web Services, LLC, and Corporate Support and Fulfillment, LLC, Case 1:16-cv-00909, Document 1, Filed Jul. 27, 2016, 66 pages.

United States District Court Western District of Texas, Austin Division, “Complaint for Damages and Injunctive Relief,” *Yeti Coolers, LLC v. Jennifer Leverne Bootz Evans d/b/a Bling and Burlap Buy In’s and Blanks*, Case 1:15-cv-00995, Document 1, Filed Nov. 2, 2015, 128 pages.

United States District Court Western District of Texas, Austin Division, “Order,” *Yeti Coolers, LLC v. Jennifer Leverne Bootz Evans d/b/a Bling and Burlap Buy In’s and Blanks*, Case 1:15-cv-00995-RP, Document 18, Filed Apr. 18, 2016, 1 page.

United States District Court Western District of Texas, Austin Division, “Defendant’s Reply in Support of Their Rule 12(B)(6) Motion to Dismiss for Failure to State a Claim” *Yeti Coolers, LLC v. RTIC Soft Sided Coolers, LLC, RTIC Coolers, LLC, RTIC Web Services, LLC, and Corporate Support and Fulfillment, LLC*, Case 1:16-cv-00909-RP, Document 15, Filed Sep. 8, 2016, 13 pages.

United States District Court Western District of Texas, Austin Division, “Yeti’s Answer to RTIC’s Counterclaims,” *Yeti Coolers, LLC v. RTIC Soft Sided Coolers, LLC, RTIC Coolers, LLC, RTIC Web Services, LLC, and Corporate Support and Fulfillment, LLC*, Case 1:16-cv-00909-RP, Document 14, Filed Sep. 2, 2016, 16 pages.

United States District Court Western District of Texas, Austin Division, “Yeti’s Opposition to RTIC’s Motion to Dismiss,” *Yeti Coolers, LLC v. RTIC Soft Sided Coolers, LLC, RTIC Coolers, LLC, RTIC Web Services, LLC, and Corporate Support and Fulfillment, LLC*, Case 1:16-cv-00909-RP, Document 13, Filed Sep. 1, 2016, 17 pages.

United States District Court for the Western District of Texas, Austin Division, “Defendants’ Rule 12(B)(6) Motion to Dismiss for Failure to State a Claim,” *Yeti Coolers, LLC, vs. RTIC Soft Sided Coolers, LLC, RTIC Coolers, LLC, RTIC Web Services, LLC, and Corporate Support and Fulfillment, LLC*, Case 1:16-cv-00909-RP, Document 10, Filed Aug. 18, 2016, 12 pages.

United States District Court for the Western District of Texas, Austin Division, “Joint Rule 26(f) Report and Discovery Plan,” *Yeti Coolers, LLC, vs. RTIC Soft Sided Coolers, LLC, RTIC Coolers, LLC, RTIC Web Services, LLC, and Corporate Support and Fulfillment, LLC*, Case 1:16-cv-00909-RP, Document 19, Filed Oct. 11, 2016, 9 pages.

Petition for Inter Partes Review of U.S. Pat. No. 9139352, filed on Dec. 13, 2016, 1616 pages.

TheGadgeteer.com: Tom Bihn Camera I-O Bag Review. Published Jul. 9, 2012. Retrieved from the internet at <<http://the-gadgeteer.com/2012/07/09/tom-bihn-camera-i-o-bag-review/>>, Jan. 11, 2016, 7 pages.

YouTube.com: Patagonia Black Hole Duffel 60L. Published Aug. 26, 2013. Retrieved from the internet at <<https://www.youtube.com/watch?v=W-PWEmZmVv8>>, Dec. 19, 2016, 1 page.

Youtube, “Yeti Hopper Cooler At Icast 2014”, Uploaded by user TackleDirect on Jul. 17, 2014, Accessed Jan. 31, 2017. (<https://www.youtube.com/watch?v=A2rKRdyZcZ4>).

Ebags, Picnic Pack Picnic Pack Large Insulated Cooler Tote, First reviewed on Jul. 20, 2016. Accessed Feb. 7, 2017. (<http://www.ebags.com/product/picnic-pack/picnic-pack-large-insulated-cooler-tote/313704?productid=10428840>).

United States Patent and Trademark Office Before the Patent Trial and Appeal Board, Decisions Joint Motions to Terminate Inter Partes Review, Entered Mar. 22, 2017—(4 pgs).

Jan. 31, 2017—(WO) International Search Report and Written Opinion—App. PCT/US2016/060135.

Mar. 27, 2017—(WO) International Search Report and Written Opinion—App PCT/US2017/016552.

May 8, 2017—U.S. Non-Final Office Action—U.S. Appl. No. 15/154,626.

May 22, 2015—U.S. Non-Final Office Action—U.S. Appl. No. 14/479,607.

United States District Court Western District of Texas Austin Division, “Complaint,” *Yeti Coolers, LLC v. Glacier Coolers, LLC, and Tecomate Holdings, LLC*, Case 1:17-cv-00586, Document 1, filed Jun. 15, 2017, 161 pages.

May 30, 2017—(WO) ISR—App. No. PCT/US17/32351.

May 30, 2017—(WO) Written Opinion—App. No. PCT/US17/32351.

Vimeo, “Cleaning Your Yeti Hopper” uploaded by user Yeti Coolers on Nov. 4, 2014, Accessed Sep. 27, 2017. (<https://vimeo.com/110890075>).

Sep. 13, 2017—U.S. Final Office Action—U.S. Appl. No. 15/137,838.

Nov. 24, 2017—U.S. Final Office Action—U.S. Appl. No. 15/154,626.

Good Housekeeping, “Lands’ End Zip Top Cooler Tote #433786”, Reviewed on Apr. 2014, Accessed Nov. 18, 2017. (<http://www.goodhousekeeping.com/travel-products/food-cooler-reviews/a33270/lands-end-zip-top-cooler-tote-433786/>).

Home Shopping Network, “Built New York Large Welded Cooler Bag”, Accessed Nov. 18, 2017. (<https://www.hsn.com/products/built-new-york-large-welded-cooler-bag/8561033>).

Feb. 9, 2018—U.S. Non-Final Office Action—U.S. Appl. No. 15/451,064.

May 24, 2018—U.S. Non-final Office Action—U.S. Appl. No. 15/790,926.

Aug 29, 2018 (WO)—International Search Report and Written Opinion—App. No. PCT/US18/36608.

Mar. 21, 2019—(WO) International Search Report and Written Opinion—App. No. PCT/US2018/066040.

Feb. 4, 2019—(AU) Examination Report—App. No. 2017263566—MM.

Jul. 3, 2019—(CN) First Office Action—App. No. 201780042659.5—MM.

Jun. 5, 2019—(AU) Notice of Acceptance for Patent Application—App 2017263566.

Oct. 2, 2019—(CN) Examiner’s Report—App. No. 2017032351.

Jun. 3, 2019—(CN) First Office Action—App. No. 201680076714.8—VH.

amazon.com, “E-Manis Insulated Lunch Bag Adult Lunch Box Collapsible Multi-Layers Thermal Insulated Oxford Lunch Tote Cooler Bag for Men, women (grey),” visited May 7, 2019 at <https://www.amazon.com/MANIS-Insulated-Portable-Cooler-School/dp/B07BMT6948/ref=sr_1_23?keywords=soft+sided+cooler+lunch+box&qid=1557170800&s=home-garden&sr=1-23>.

amazon.com, “ZUZURO Lunch Bag Insulated Cooler Lunch Box w/3 Compartment—Heavy-Duty Fabric, Strong SBS Zippers—Includes 3 Meal Prep Lunch box Containers + 2 Ice Packs. For Men Women Adults (Black),” visited May 7, 2019 at <https://www.amazon.com/Zuzuro-Lunch-Insulated-Cooler-Compartment/dp/B079DZ2L1F/ref=sr_1_14?keywords=lunch+box+lid+ice+pack&qid=1557245496&s=gateway&sr=8-14>.

amazon.com, “Srotek Lunch Bag Insulated Lunch Box Tote Bag Cooler Bag Water-resistant Cute Lunch Bag Wide-open Thermal Tote Kit for Women/Girls/Work/Picnic, Grey Flamingo,” visited May 7, 2019 at <https://www.amazon.com/dp/B07N57JSJS/ref=sspa_dk_detail_9?psc=1&pd_rd_i=B07N57JSJS>.

amazon.com, “Lifewit Insulated Casserole Dish Carrier Thermal Lasagna Luger for Potluck Parties/Picnic/Beach, Lunch Bag to Keep Food Hot/Cold, 16.3x12.6x4.7”, Grey,” visited May 7, 2019 at <https://www.amazon.com/dp/B07BFWJVP5/ref=sspa_dk_detail_6?psc=1&pd_rd_i=B07BFWJVP5&pd_rd_w=tr7Ke&pf_rd_p=46cdcfa7-b302-4268-b799-8f7d8cb5008b&pd_rd_wg=jq3TO&pf_rd_r=W7MFCBJR9DR0HV3AKZZB&pd_rd_r=604844a0-70d3-11e9-ad99-d763d3fc76f8>.

amazon.com, “Arctic Zone 2008IL515B42 Thermal Insulated Hot/Cold Food Carrier, Green,” visited May 7, 2019 at <https://www.amazon.com/dp/B077T7FZBX/ref=sspa_dk_detail_0?psc=1&pd_rd_i=B077T7FZBX>.

Jan. 12, 2021—(CN) Fourth Office Action—App. No. 201680076714.8.

Oct. 19, 2020—(NZ) Patent Examination Report 1—App. No. 759046.

Amazon.com, “MIER Insulated Double Casserole Carrier Thermal Lunch Tote for Potluck Parties, Picnic, Beach—Fits 9”x13” Casse-

(56)

References Cited

OTHER PUBLICATIONS

role Dish, Expandable, Orange,” visited May 7, 2019 at <<https://www.amazon.com/MIER-Insulated-Casserole-Carrier-Thermal/dp/B01NOPW119/>>.

Amazon.com, “Lille 22oz Stainless Steel Leakproof Lunch Box, Insulated Bento Boxes | Thermal Food Container with Insulated Lunch Bag for Work | 2nd Gen with Durable Handle and Lid | BPAfree | Adult, Women, Kid,” visited May 7, 2019 at <<https://www.amazon.com/Lille-Stainless-Leakproof-Insulated-Container/dp/B07HDTMJ7M/>>.

Amazon.com, “Meal Prep Lunch Bag/Box For Men, Women+3 Large Food Containers (45oz)+2 Big Reusable Ice Packs+Shoulder Strap+Shaker With Storage. Insulated Lunchbox Cooler Tote. Adult Portion Control Set,” visited May 7, 2019 at <<https://www.amazon.com/Meal-Containers-Reusable-Shoulder-Insulated/dp/B01MU2YS18/>>.

Amazon.com, “MIER Portable Thermal Insulated Cooler Bag Mini Lunch Bag for Kids, Black,” visited May 7, 2019, at <<https://www.amazon.com/MIER-Portable-Thermal-Insulated-Cooler/dp/B01145L2JM/>>.

Amazon.com, “Lille Home 2nd Gen 22oz Stainless Steel Leakproof Lunch Box, Insulated Bento Box/Food Container with Insulated Lunch Bag | Durable Handles and Lid | Adults, Kids | Men, Women (Green),” visited May 8, 2019 at <<https://www.amazon.com/dp/B07MBDD29C/>>.

United States District Court Western District of Texas, Austin Division, “First Amended Complaint, ‘Complaint for Damages and Injunctive Relief for: (1)-(15) Patent Infringement in Violation of 35 U.S.C. § 271; and (16) Breach of Contract’”, *YETI Coolers, LLC v. RTIC Outdoors, LLC; and Corporate Support & Fulfillment, LLC*, Case 1:21-cv-00214-RP, Document 10, filed Jun. 2, 2021, 39 pages.

* cited by examiner

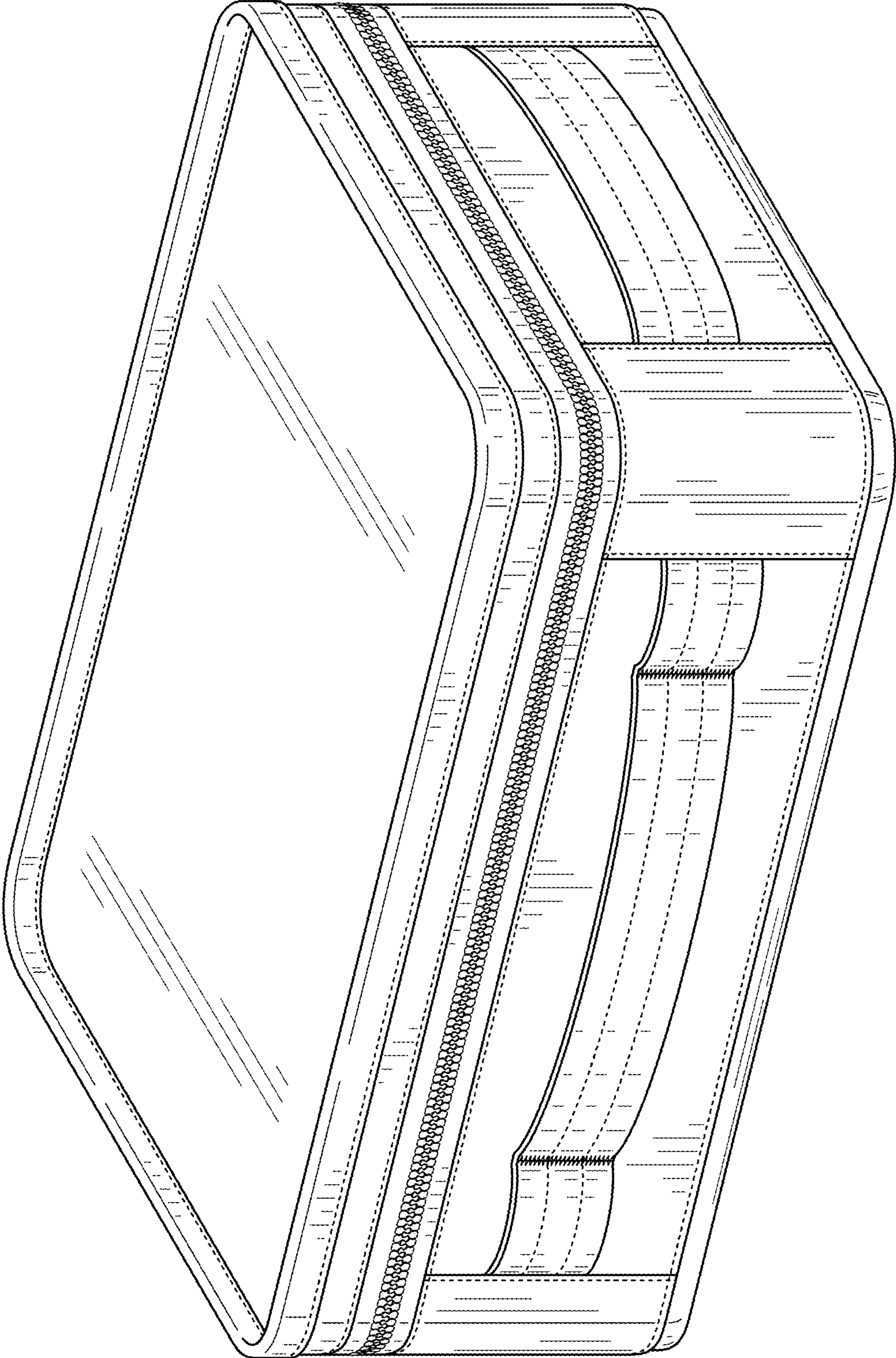


FIG. 1

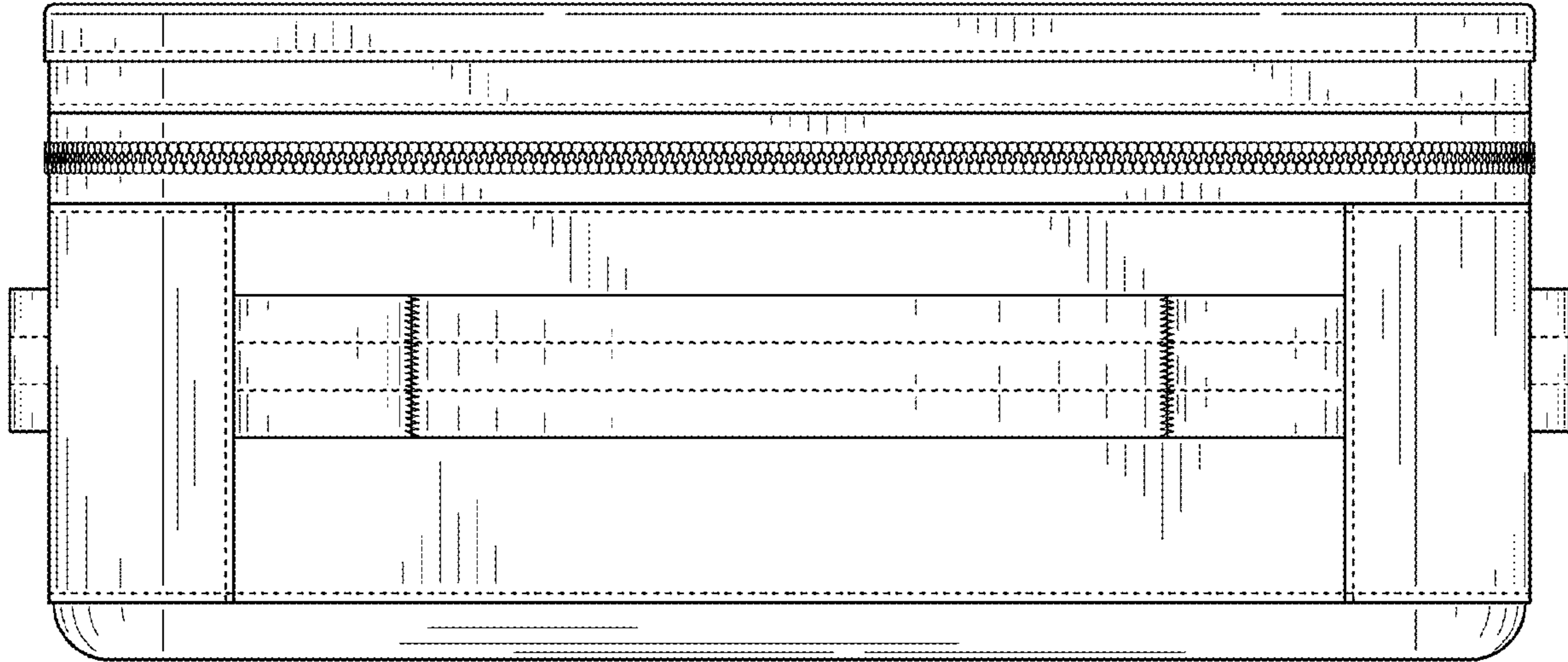


FIG. 2

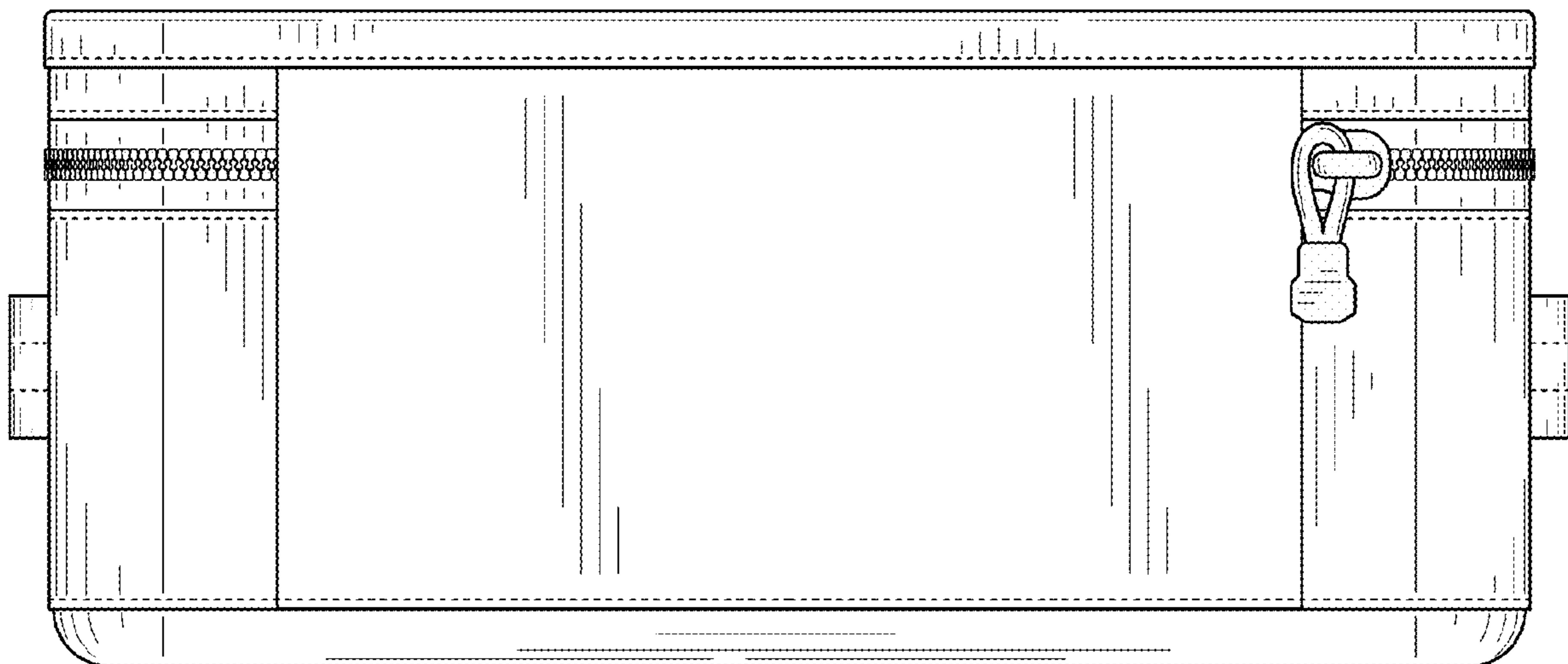


FIG. 3

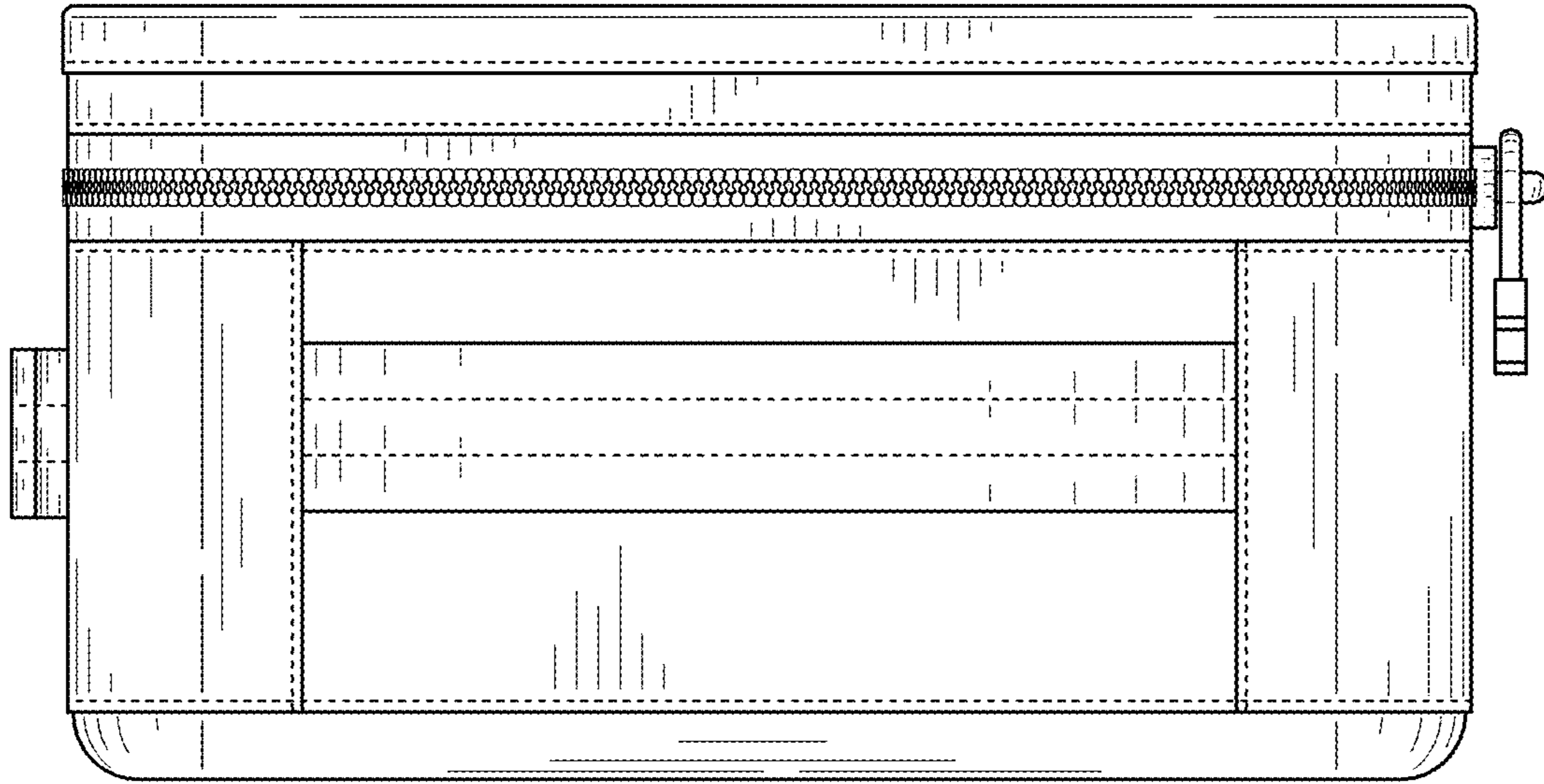


FIG. 4

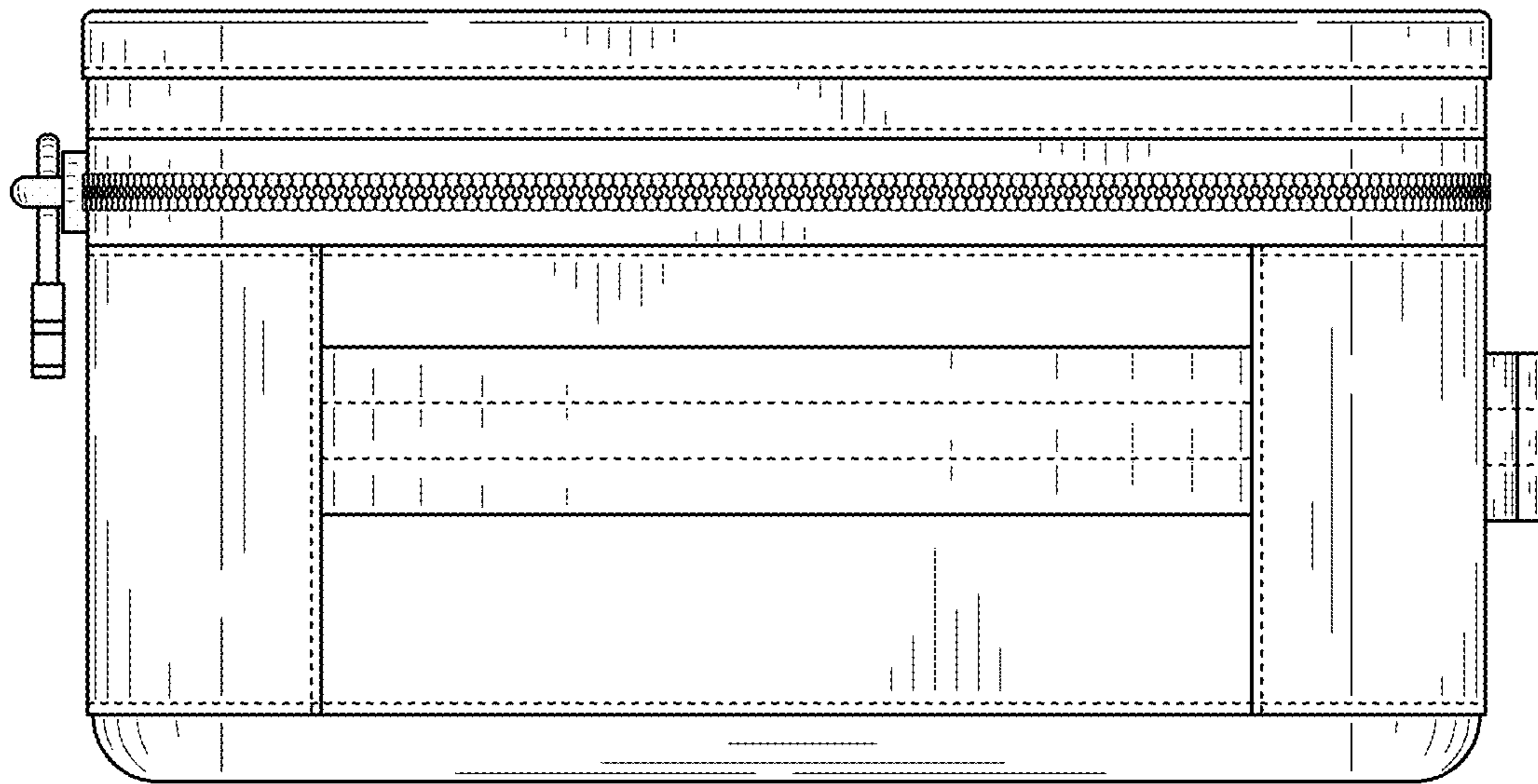


FIG. 5

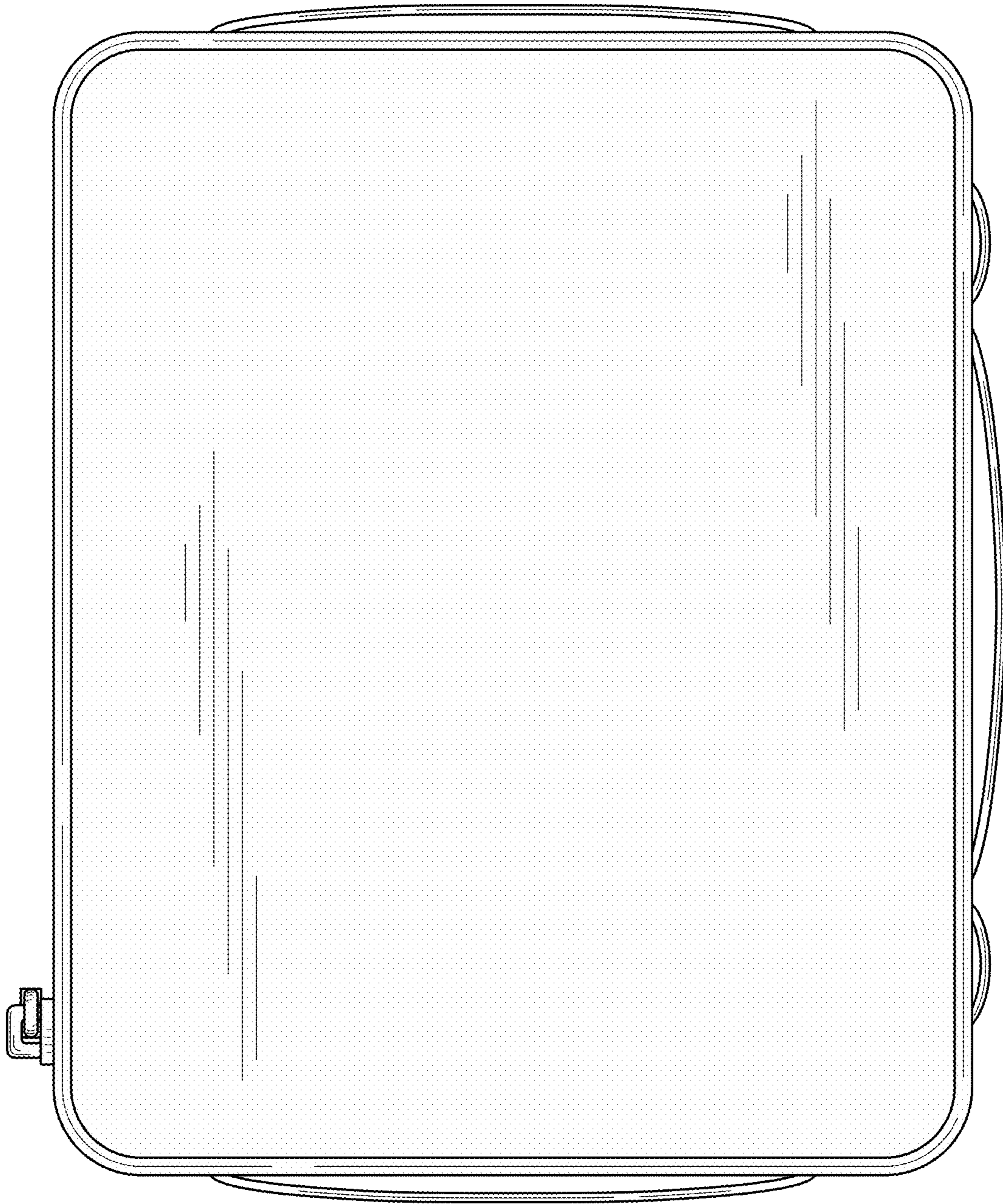


FIG. 6

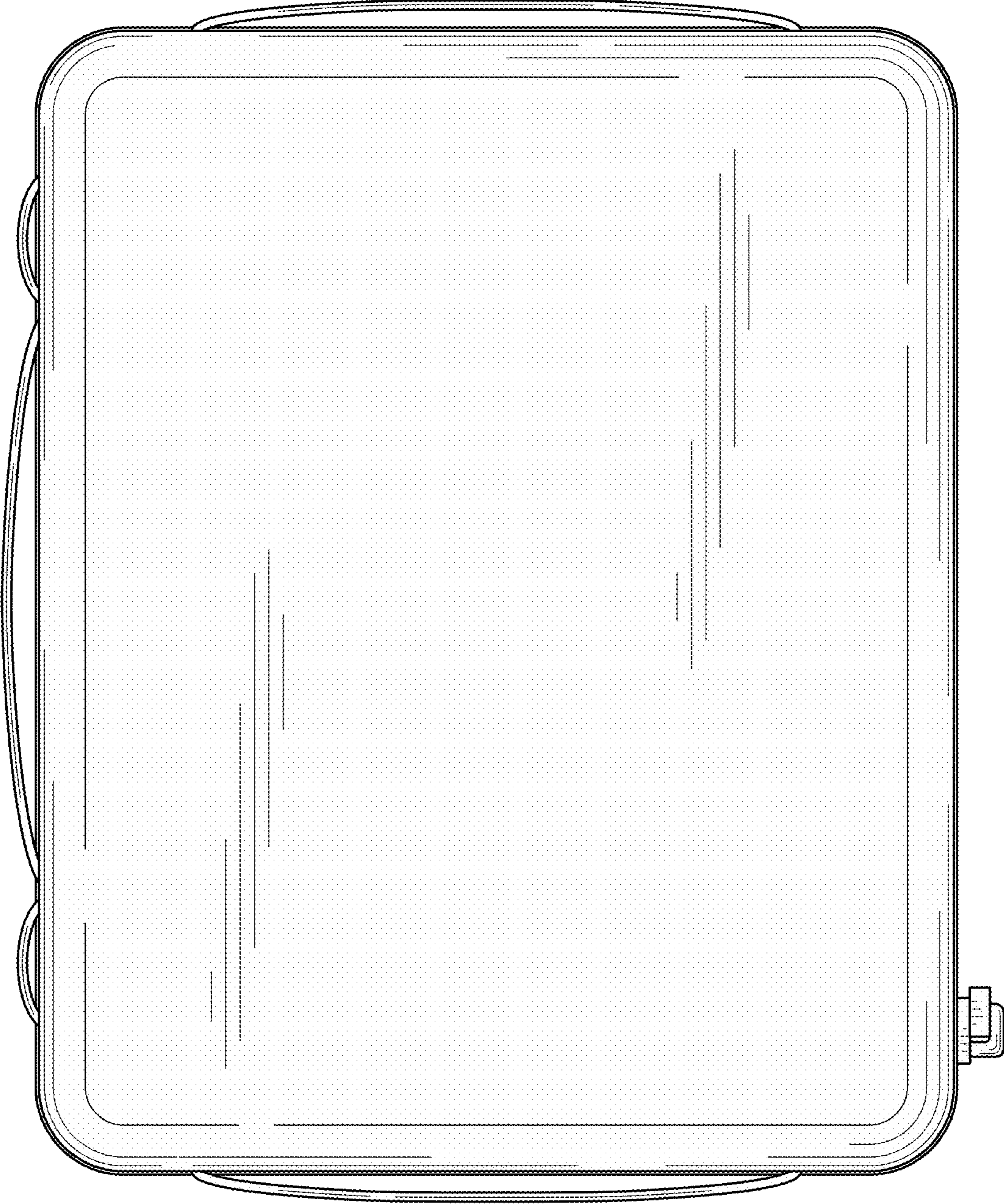


FIG. 7

UNITED STATES PATENT AND TRADEMARK OFFICE
CERTIFICATE OF CORRECTION

PATENT NO. : D929,191 S
APPLICATION NO. : 29/713414
DATED : August 31, 2021
INVENTOR(S) : Rogers et al.

Page 1 of 1

It is certified that error appears in the above-identified patent and that said Letters Patent is hereby corrected as shown below:

On the Title Page

Item [56] Page 7, Column 2, Line 17:

Delete "tor:" and insert --for:--

Item [56] Page 7, Column 2, Line 32:

Delete "wich" and insert --which--

Item [56] Page 7, Column 2, Line 46:

Delete "dateof" and insert --date of--

Item [56] Page 8, Column 1, Line 31:

Delete "Westem" and insert --Western--

Item [56] Page 8, Column 1, Line 55:

Delete "Insultated" and insert --Insulated--

Item [56] Page 8, Column 2, Line 30:

Delete "Actiont" and insert --Action--

Item [56] Page 8, Column 2, Line 35:

Delete "Actiont" and insert --Action--

Item [56] Page 9, Column 2, Line 12:

Delete "tor:" and insert --for:--

Signed and Sealed this
Fifteenth Day of March, 2022



Drew Hirshfeld
*Performing the Functions and Duties of the
Under Secretary of Commerce for Intellectual Property and
Director of the United States Patent and Trademark Office*