



US00D929190S

(12) **United States Design Patent** (10) **Patent No.:** **US D929,190 S**  
**Stanford et al.** (45) **Date of Patent:** **\*\* Aug. 31, 2021**

(54) **COOLER**

(56) **References Cited**

(71) Applicant: **LIFETIME PRODUCTS, INC.**,  
Clearfield, UT (US)  
(72) Inventors: **Carl R. Stanford**, Clearfield, UT (US);  
**Robert A. Astle**, Farmington, UT (US)  
(73) Assignee: **Lifetime Products, Inc.**, Clearfield, UT  
(US)  
(\*\*) Term: **15 Years**  
(21) Appl. No.: **29/744,333**  
(22) Filed: **Jul. 28, 2020**

U.S. PATENT DOCUMENTS

D281,695 S \* 12/1985 Ryan, Jr. .... D7/605  
4,592,482 A \* 6/1986 Seager ..... A45C 11/20  
220/318  
D325,323 S \* 4/1992 Kahl ..... D7/605  
D354,419 S \* 1/1995 Kahl ..... D7/605  
D374,772 S \* 10/1996 Hotaling ..... D3/273  
D429,966 S \* 8/2000 Israel ..... D7/605  
D451,765 S \* 12/2001 Israel ..... D7/605  
D566,479 S \* 4/2008 Kabalin ..... D3/273  
D806,483 S 1/2018 Stanford  
D816,425 S 5/2018 Stanford  
D851,462 S 6/2019 Stanford  
10,605,515 B2 3/2020 Stanford  
D891,193 S 7/2020 Stanford  
D891,194 S 7/2020 Stanford  
D892,565 S 8/2020 Astle

(Continued)

**Related U.S. Application Data**

(63) Continuation of application No. 29/644,909, filed on  
Apr. 20, 2018, now Pat. No. Des. 891,193, which is  
a continuation of application No. 29/602,023, filed on  
Apr. 27, 2017, now Pat. No. Des. 816,425.

(51) **LOC (13) Cl.** ..... **07-01**

(52) **U.S. Cl.**  
USPC ..... **D7/605**

(58) **Field of Classification Search**  
USPC ..... D7/605-607, 709, 710; D3/283, 289,  
D3/301, 272-274, 201, 203.1-203.8  
CPC ..... F25D 3/08; F25D 3/02; F25D 3/04; F25D  
3/06; F25D 3/14; F25D 3/107; F25D  
2331/804; F25D 2331/801; B65D 81/38;  
B65D 81/3813; B65D 81/3816; B65D  
81/3818; B65D 81/382; B65D 81/3823;  
B65D 81/3825; B65D 81/3827; B65D  
81/383; B65D 81/3832; B65D 81/3834;  
B65D 81/3848; B65D 81/3851; B65D  
81/3853; B65D 81/3855; B65D 81/3858;  
B65D 81/386; B65D 81/3862; A45C  
11/20; A45C 3/00

See application file for complete search history.

OTHER PUBLICATIONS

U.S. Appl. No. 29/744,331, filed Jul. 28, 2020.

(Continued)

*Primary Examiner* — Terry A Wallace

(74) *Attorney, Agent, or Firm* — Maschoff Brennan

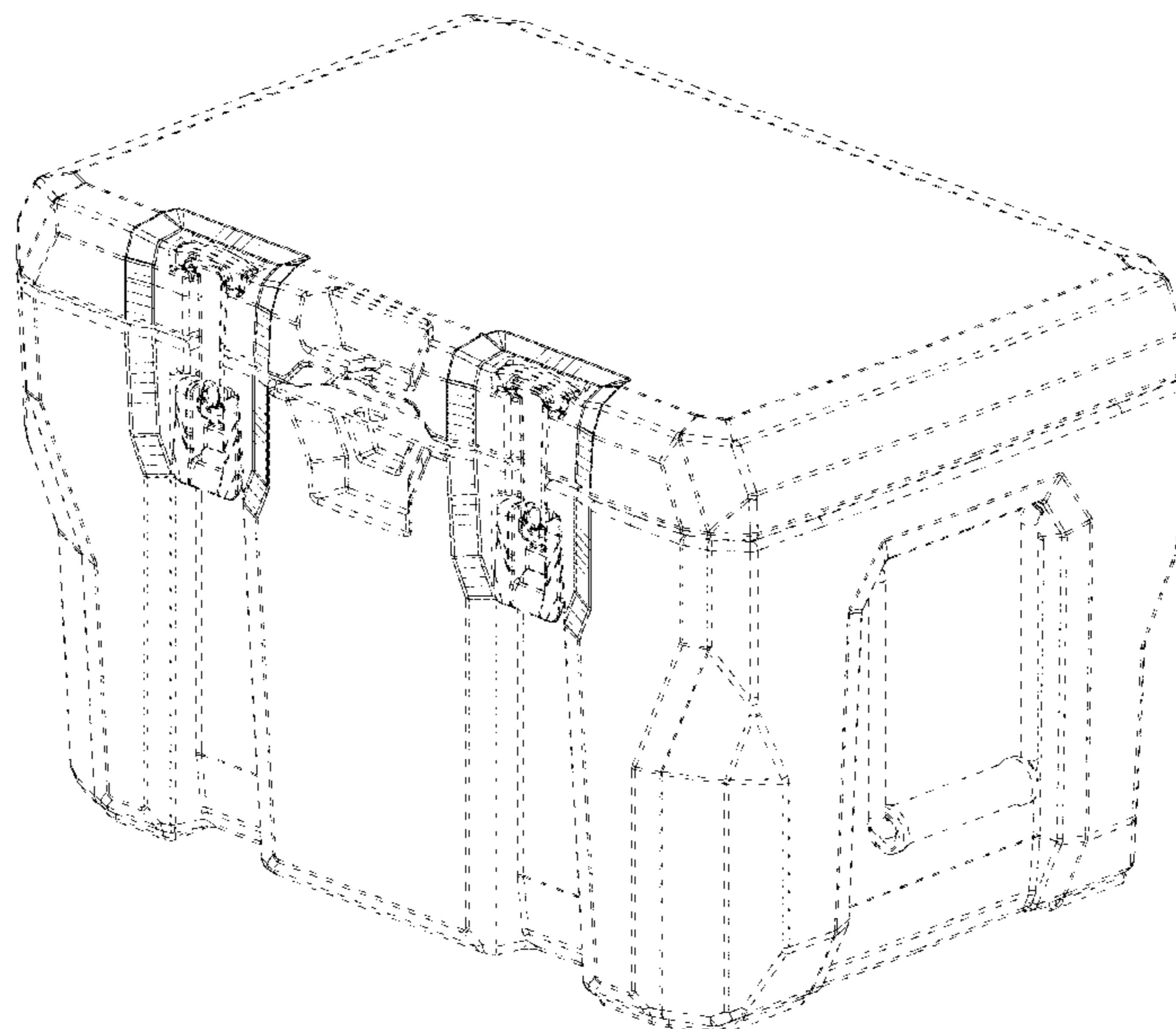
(57) **CLAIM**

The ornamental design for a cooler, as shown and described.

**DESCRIPTION**

FIG. 1 is an upper perspective view of a cooler;  
FIG. 2 is a front perspective view of the cooler;  
FIG. 3 is a top view of the cooler; and,  
FIG. 4 is a bottom view of the cooler.  
The broken lines are for illustrative purposes only and form  
no part of the claimed design.

**1 Claim, 4 Drawing Sheets**



(56)

**References Cited**

U.S. PATENT DOCUMENTS

D904,129 S 12/2020 Astle

OTHER PUBLICATIONS

U.S. Appl. No. 29/677,028, filed Jan. 16, 2019.  
U.S. Appl. No. 29/677,025, filed Jan. 16, 2019.  
U.S. Appl. No. 29/688,014, filed Apr. 17, 2019.  
U.S. Appl. No. 29/713,735, filed Nov. 18, 2019.  
U.S. Appl. No. 29/730,693, filed Apr. 7, 2020.  
U.S. Appl. No. 29/652,414, filed Aug. 10, 2020.  
U.S. Appl. No. 29/652,414, Restriction Requirement dated Feb. 2,  
2021.  
U.S. Appl. No. 29/744,331, Restriction Requirement dated Feb. 2,  
2021.

\* cited by examiner

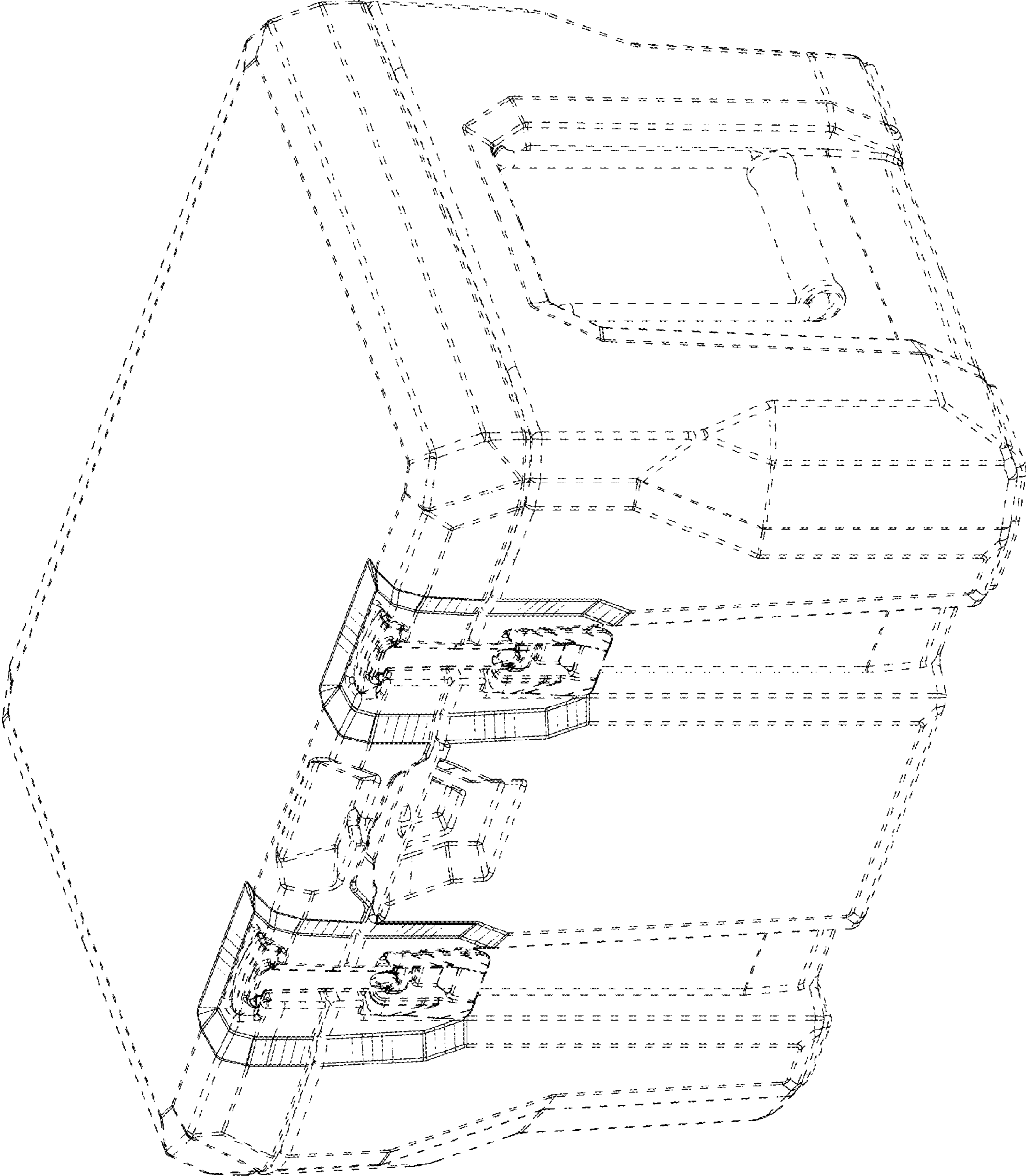


FIG. 1

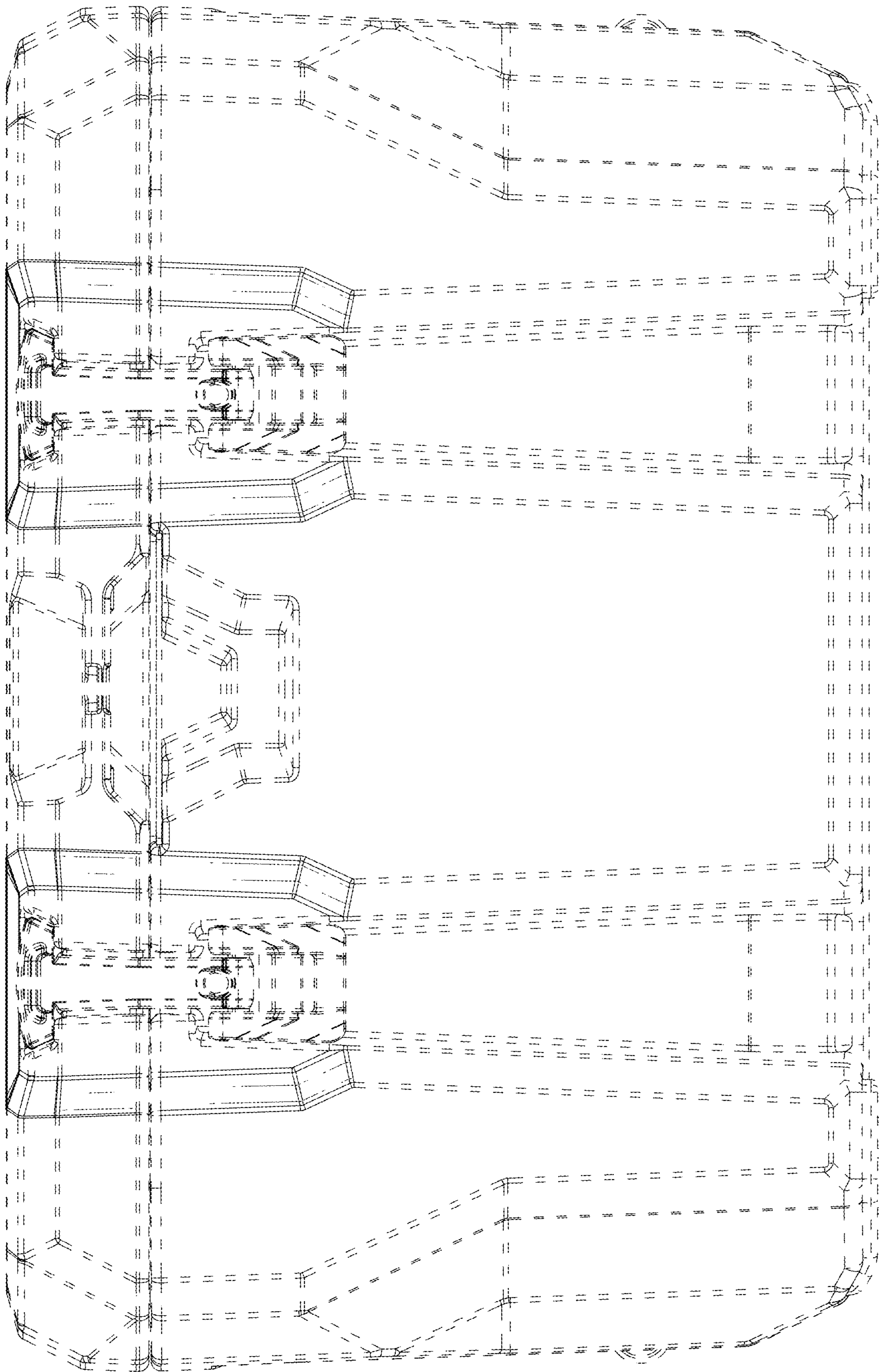


FIG. 2

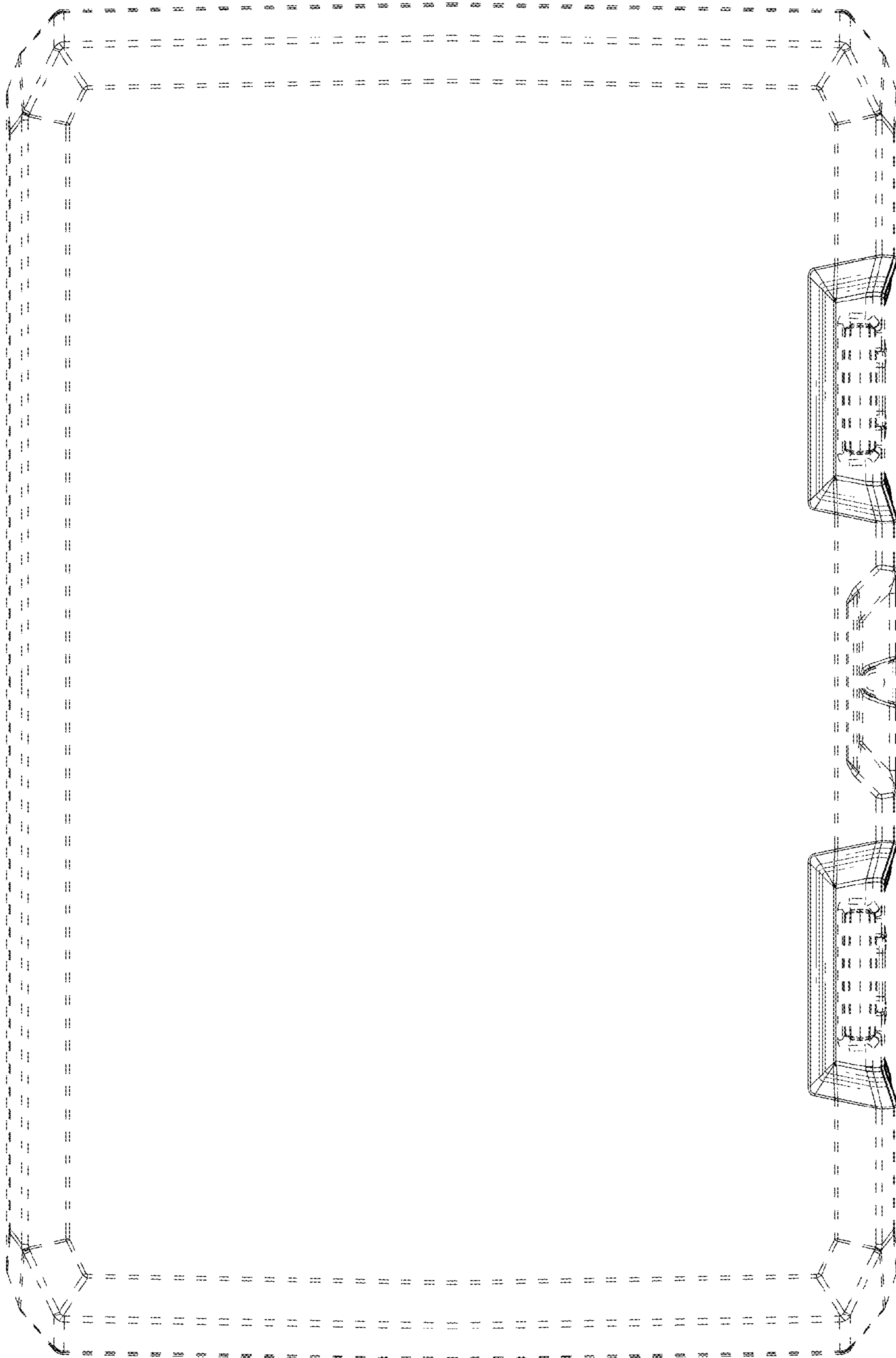


FIG. 3

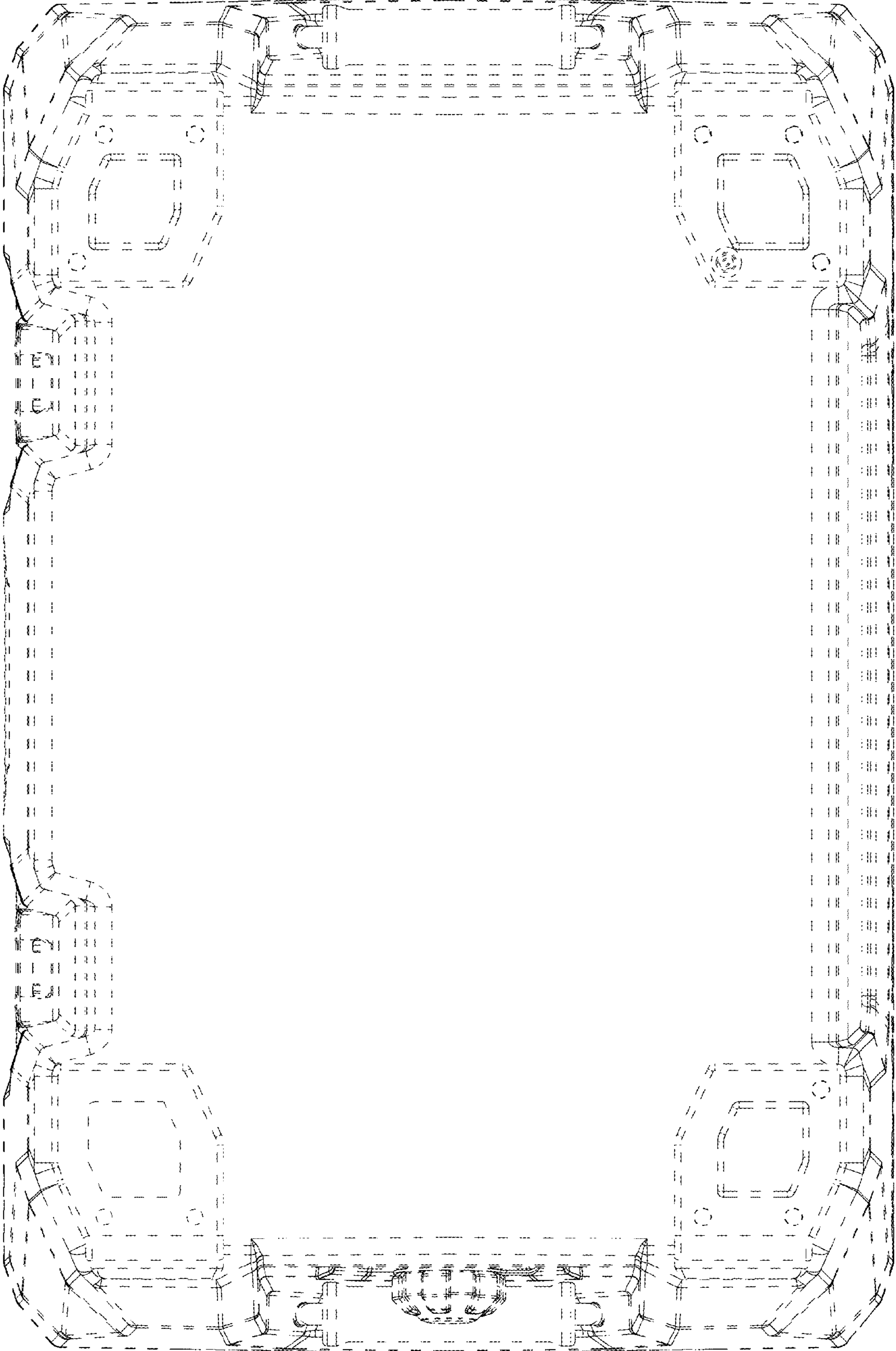


FIG. 4