



US00D929189S

(12) **United States Design Patent**  
**Pennington et al.**

(10) **Patent No.:** **US D929,189 S**

(45) **Date of Patent:** **\*\* Aug. 31, 2021**

(54) **COOLER**

(71) Applicant: **The Coleman Company, Inc.**, Wichita, KS (US)

(72) Inventors: **Stephen C. Pennington**, Kalamazoo, MI (US); **Mark A. Zavada**, Kalamazoo, MI (US); **Guo Wei Chen**, Chicago, IL (US)

(73) Assignee: **The Coleman Company, Inc.**, Wichita, KS (US)

(\*\*) Term: **15 Years**

(21) Appl. No.: **29/683,877**

(22) Filed: **Mar. 15, 2019**

(51) **LOC (13) Cl.** ..... **07-01**

(52) **U.S. Cl.**  
USPC ..... **D7/605**

(58) **Field of Classification Search**  
USPC ..... D7/605-608, 629, 630, 709, 710;  
D3/272-274; D15/83  
CPC ..... B65D 81/3888; B65D 81/38; B65D  
81/3813; B65D 81/3816; B65D 81/3818;  
B65D 81/3823; B65D 81/3858; A45C  
11/20; A45C 5/14; A45C 5/03; A45C  
9/00; A45F 3/46; F25D 3/02; F25D 3/04;  
F25D 3/06; F25D 3/11; F25D 3/14; F25D  
2331/804; F25D 31/005; F25D 3/08;  
F25D 3/12; F25D 27/005; A47B 77/08;  
A47J 41/022; A47J 41/00; A47J 45/06;  
A47G 19/2288; B26B 3/003; F25B 19/00;  
A45B 11/00

See application file for complete search history.

(56) **References Cited**

**U.S. PATENT DOCUMENTS**

D328,689 S \* 8/1992 Riskowski ..... D15/83  
D369,695 S \* 5/1996 Imotani ..... D6/686

D416,447 S \* 11/1999 Levy ..... D7/605  
6,364,329 B1 \* 4/2002 Holub ..... A45C 5/14  
280/47.26  
D613,560 S \* 4/2010 Robichaud ..... D7/605  
D660,589 S \* 5/2012 Ayjian ..... D3/260  
8,210,702 B1 \* 7/2012 Sandberg ..... F25D 27/005  
362/101  
2013/0062356 A1 \* 3/2013 Deka ..... F25D 3/08  
220/592.25

\* cited by examiner

*Primary Examiner* — Terry A Wallace

(74) *Attorney, Agent, or Firm* — Husch Blackwell LLP

(57) **CLAIM**

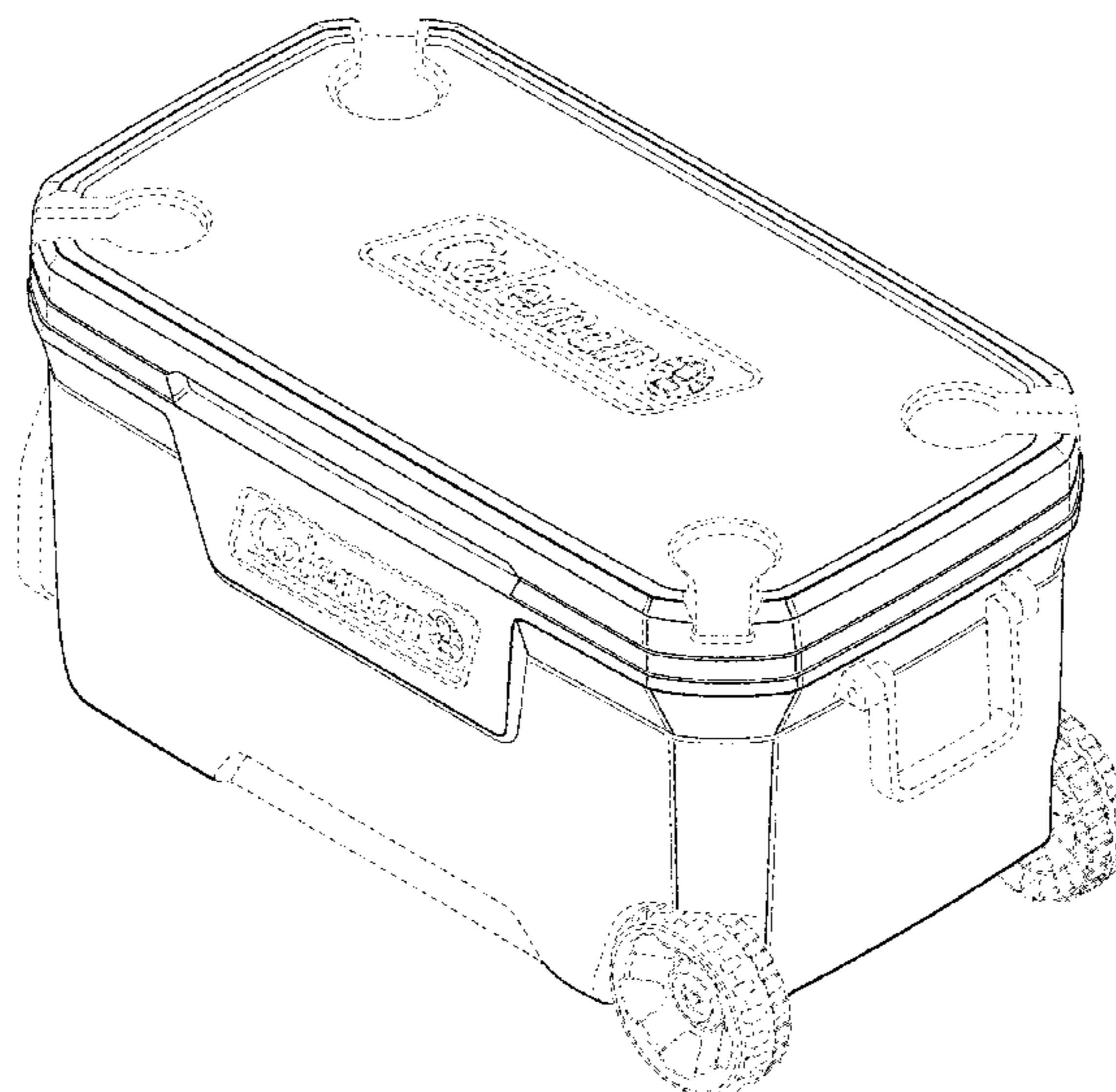
We claim the ornamental design for a cooler, as shown and described.

**DESCRIPTION**

FIG. 1 is a perspective view of a cooler in a first configuration according to our new design;  
FIG. 2 is a top plan view thereof;  
FIG. 3 is a front elevation view thereof;  
FIG. 4 is a left side elevation view thereof;  
FIG. 5 is a rear elevation view thereof;  
FIG. 6 is a right side elevation view thereof;  
FIG. 7 is a bottom plan view thereof;  
FIG. 8 is a perspective view of the cooler in a second configuration;  
FIG. 9 is a top plan view thereof;  
FIG. 10 is a front elevation view thereof;  
FIG. 11 is a left side elevation view thereof;  
FIG. 12 is a rear elevation view thereof;  
FIG. 13 is a right side elevation view thereof; and,  
FIG. 14 is a bottom plan view thereof.

Broken lines and the area within the broken lines are for illustrative purposes only and form no part of the claimed design.

**1 Claim, 14 Drawing Sheets**



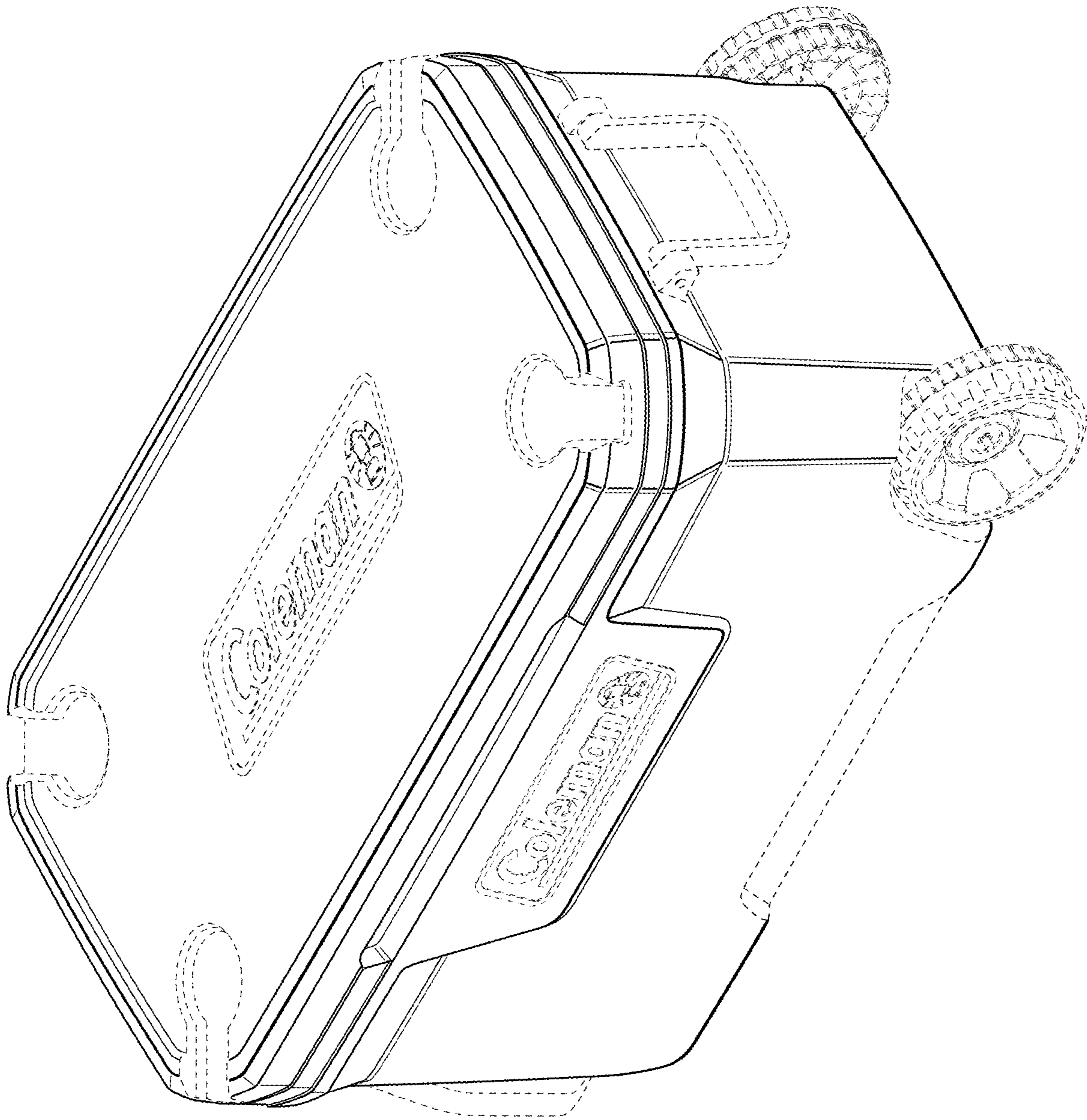
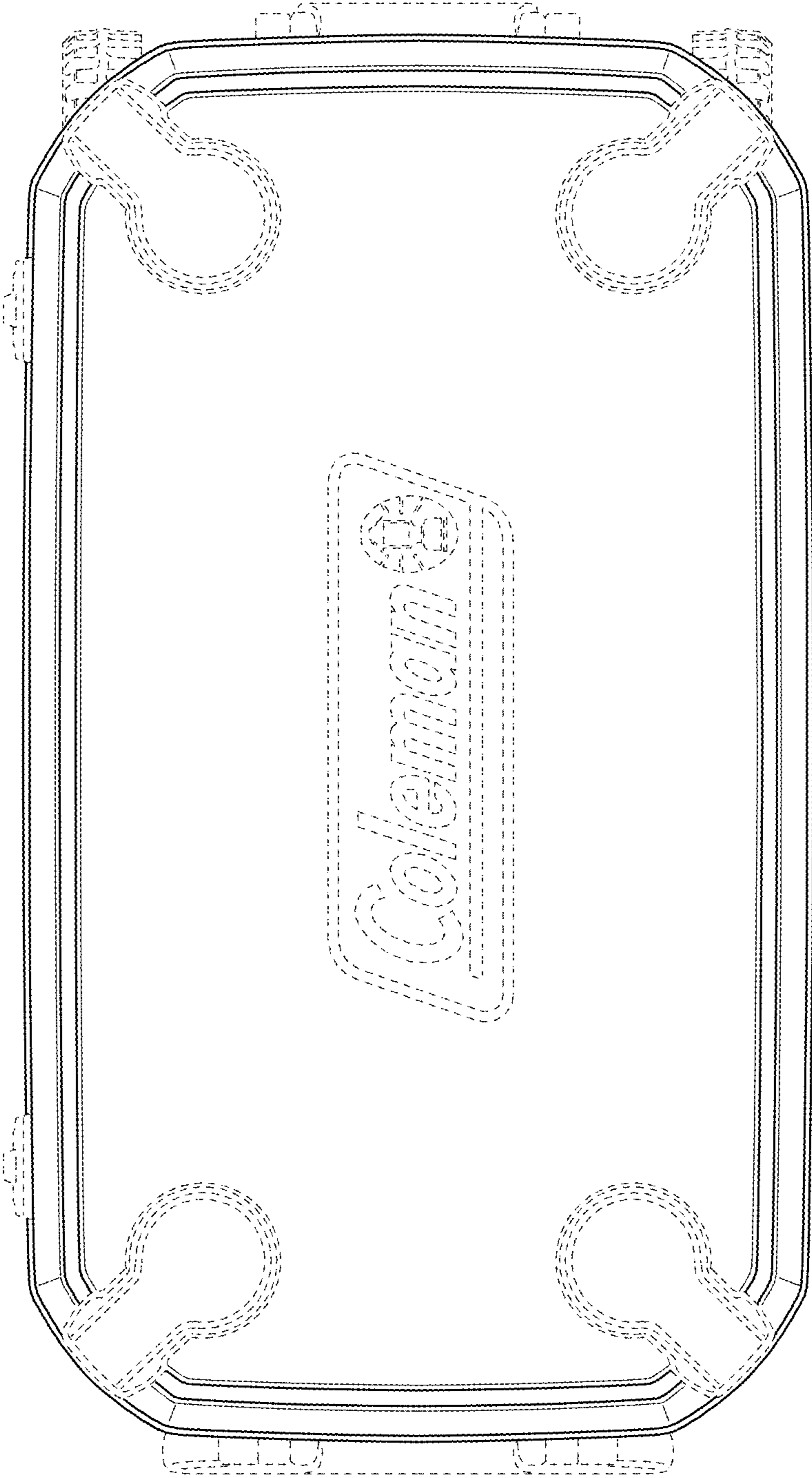
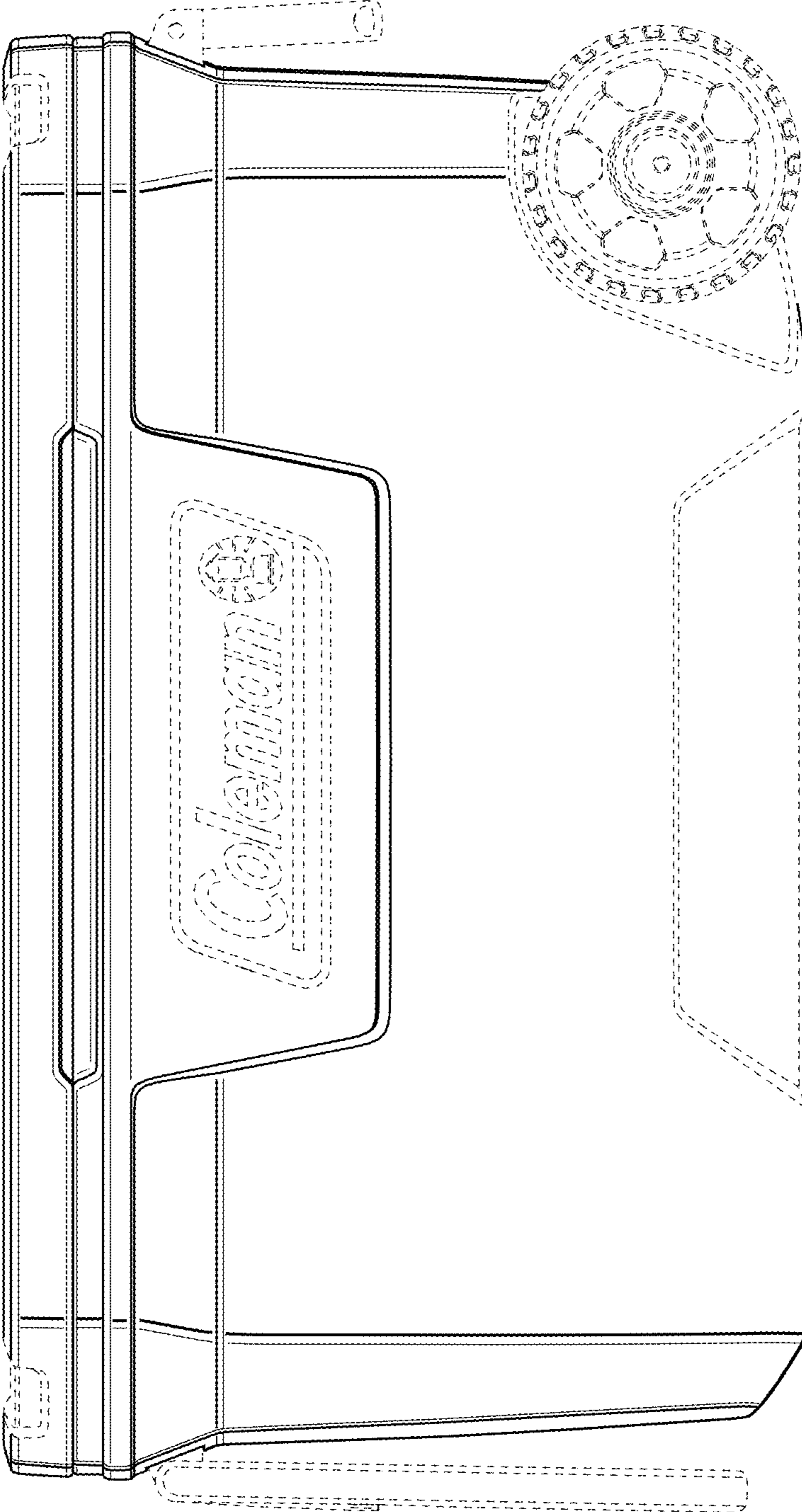


FIG. 1

**FIG. 2**



**FIG. 3**



**FIG. 4**

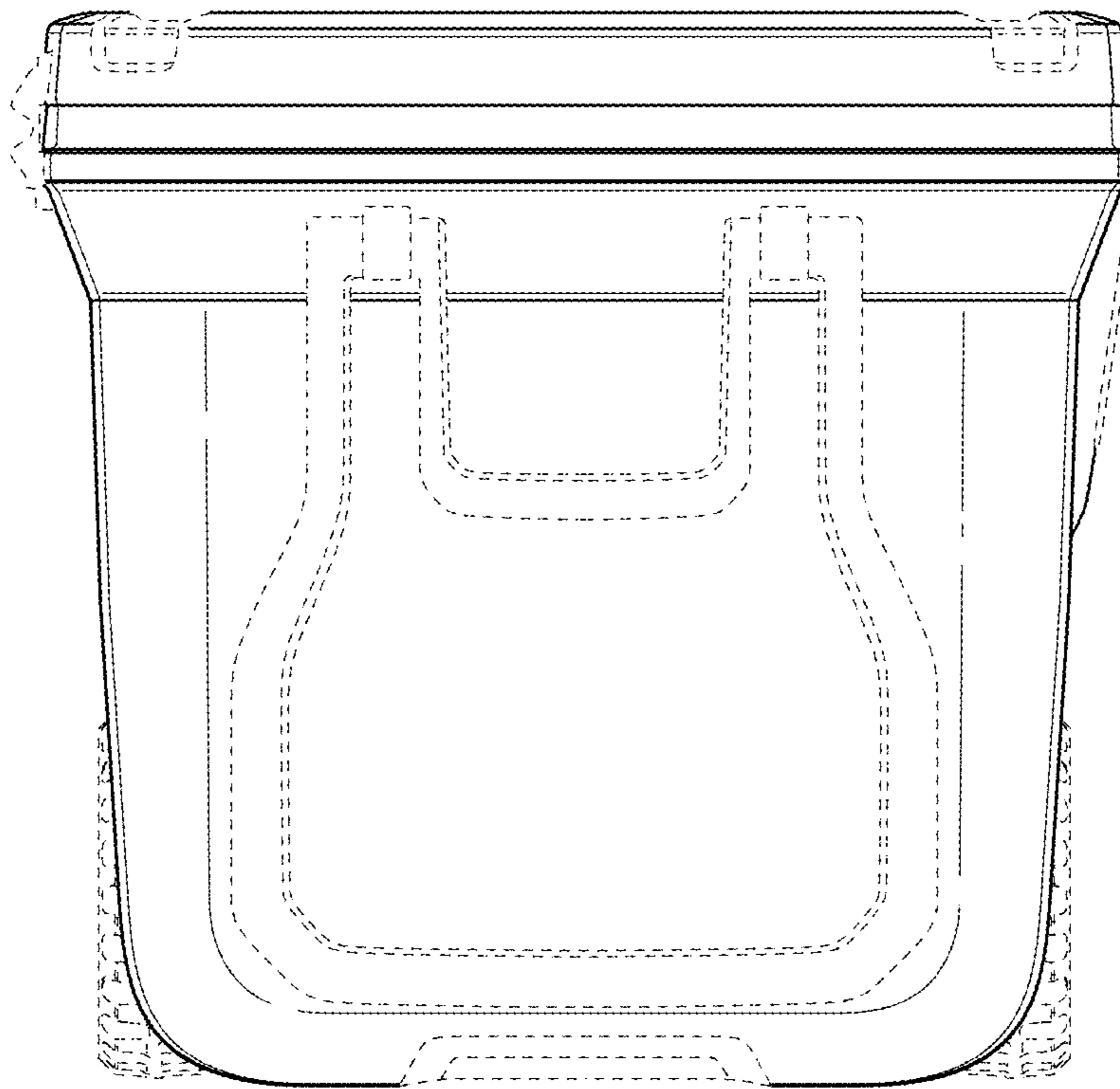


FIG. 5

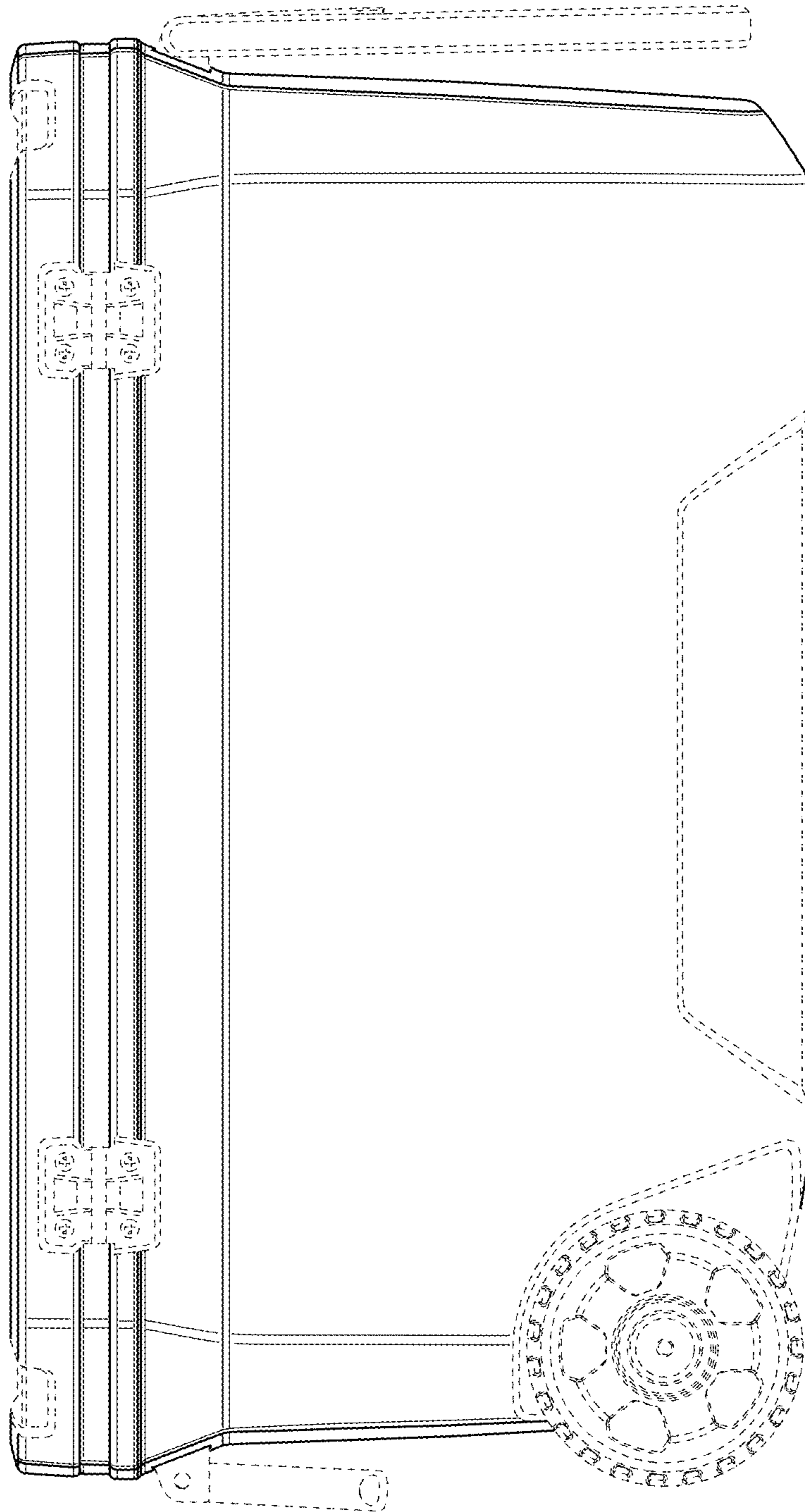
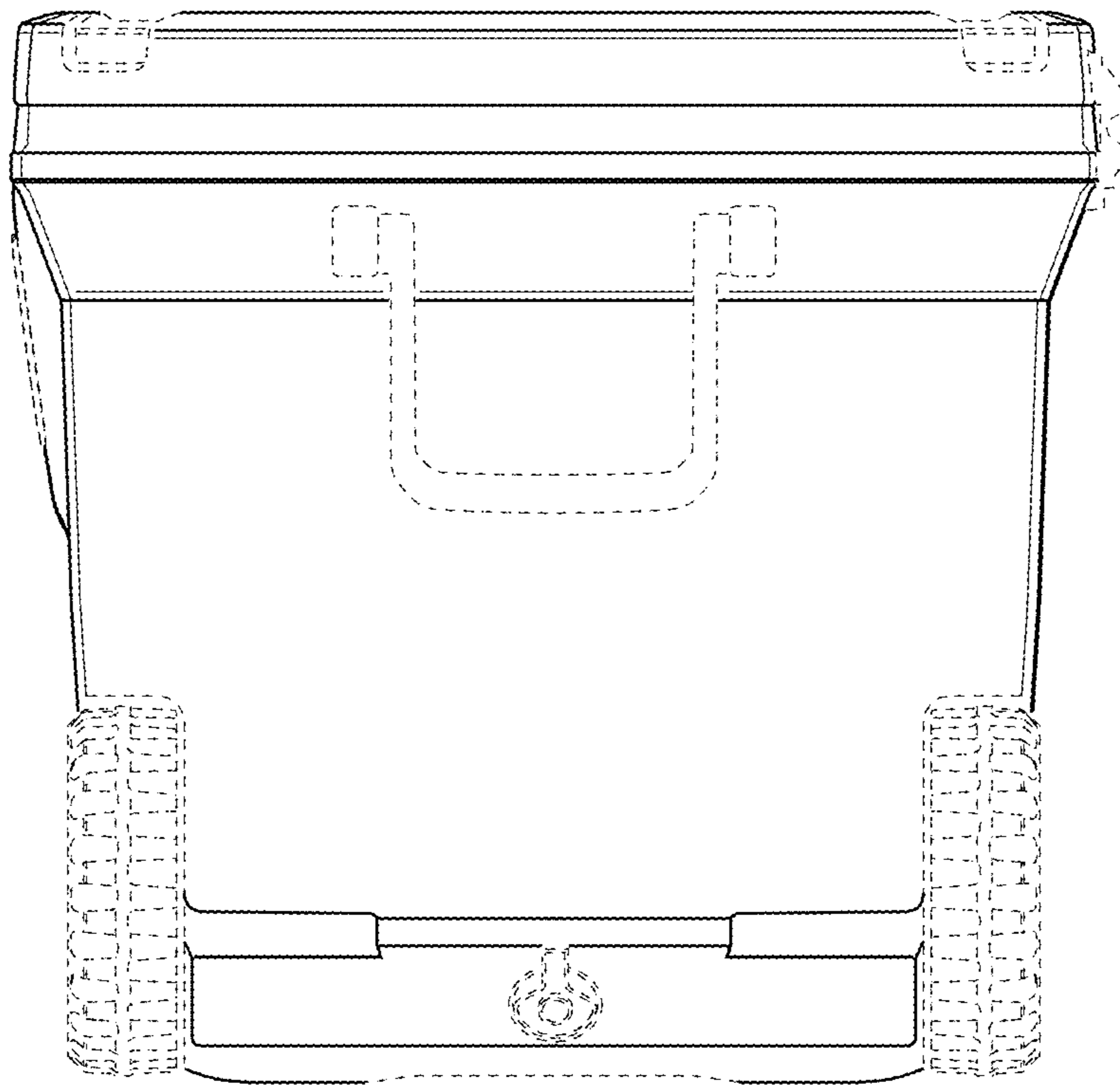


FIG. 6



**FIG. 7**

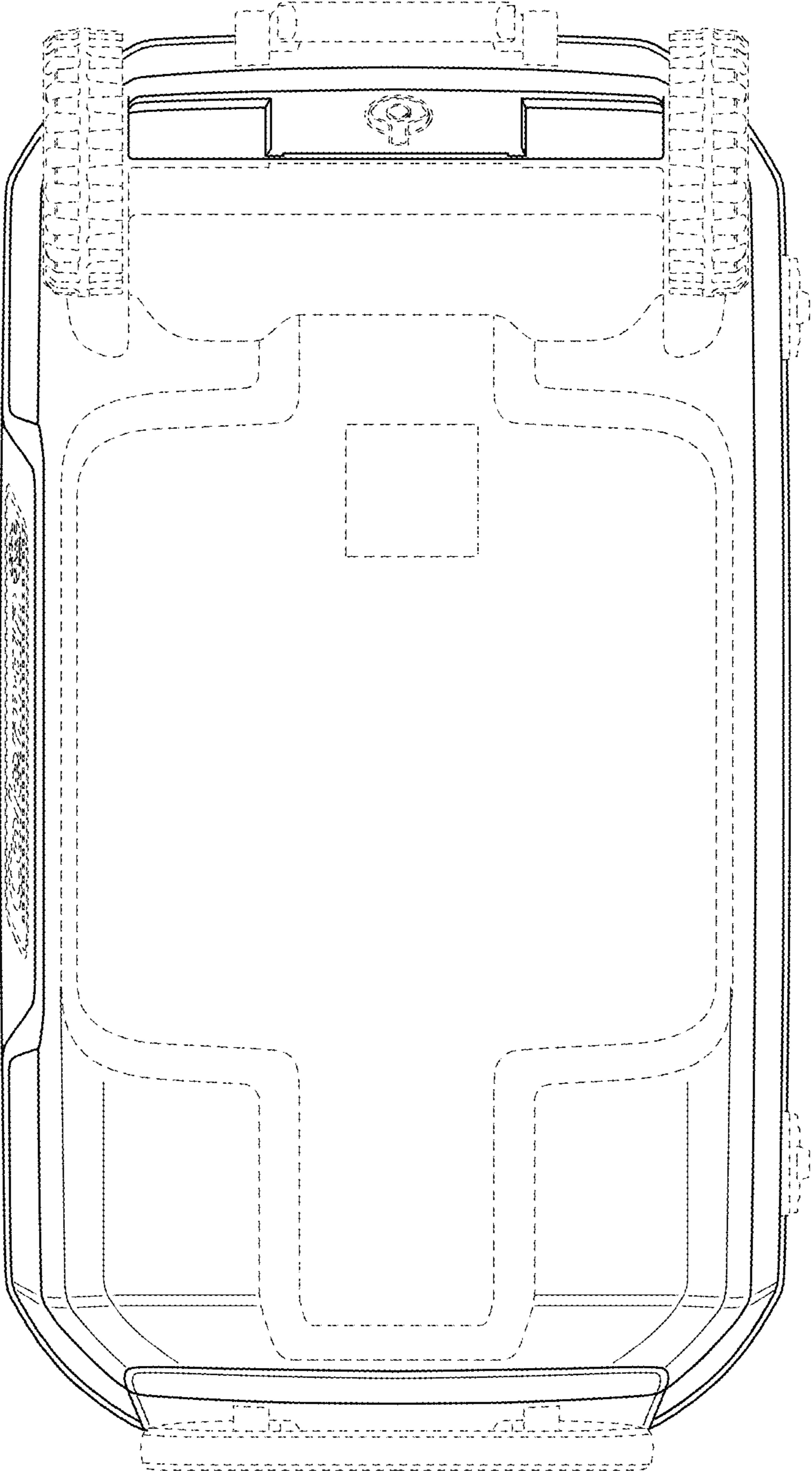
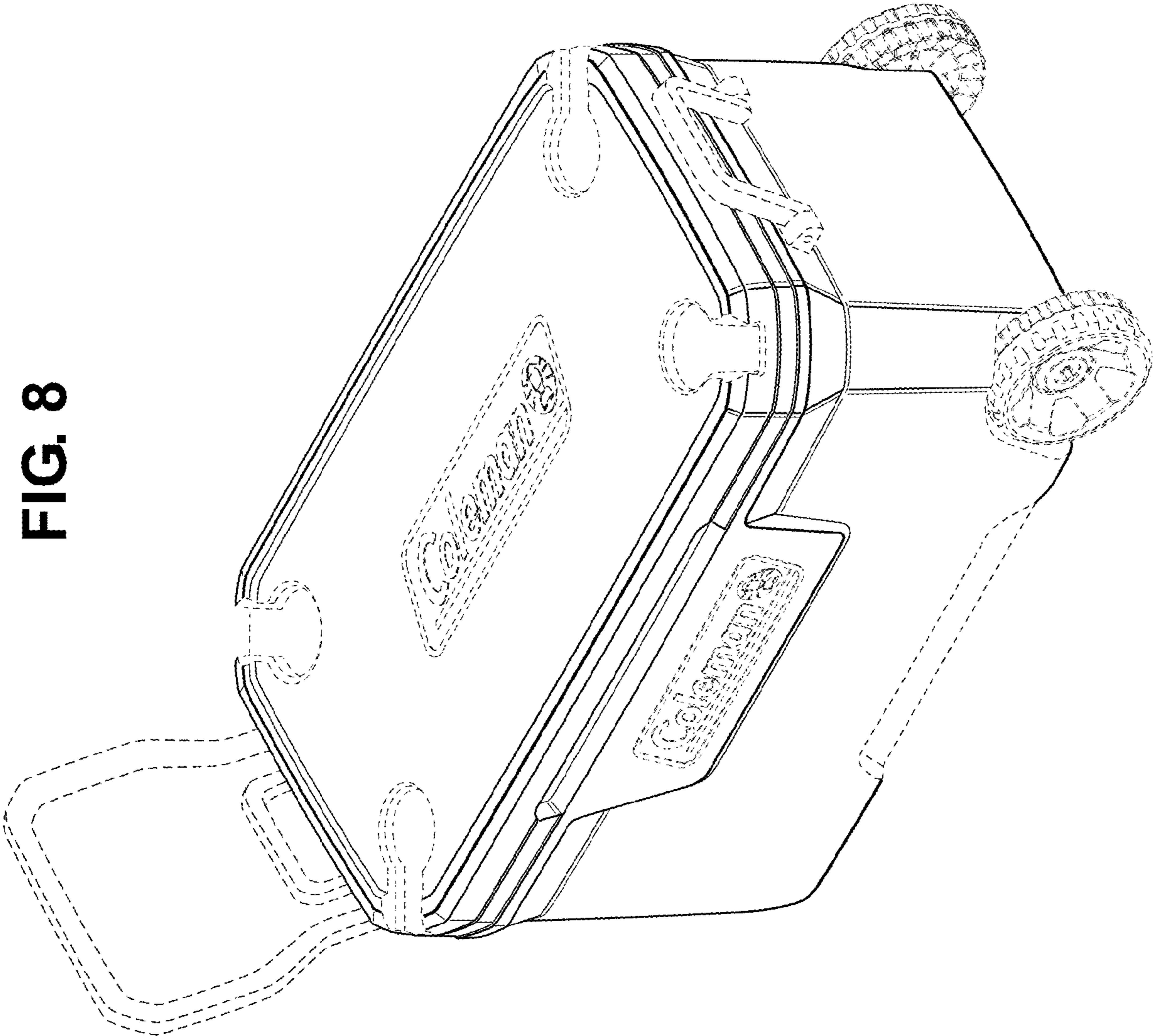




FIG. 8



**FIG. 9**

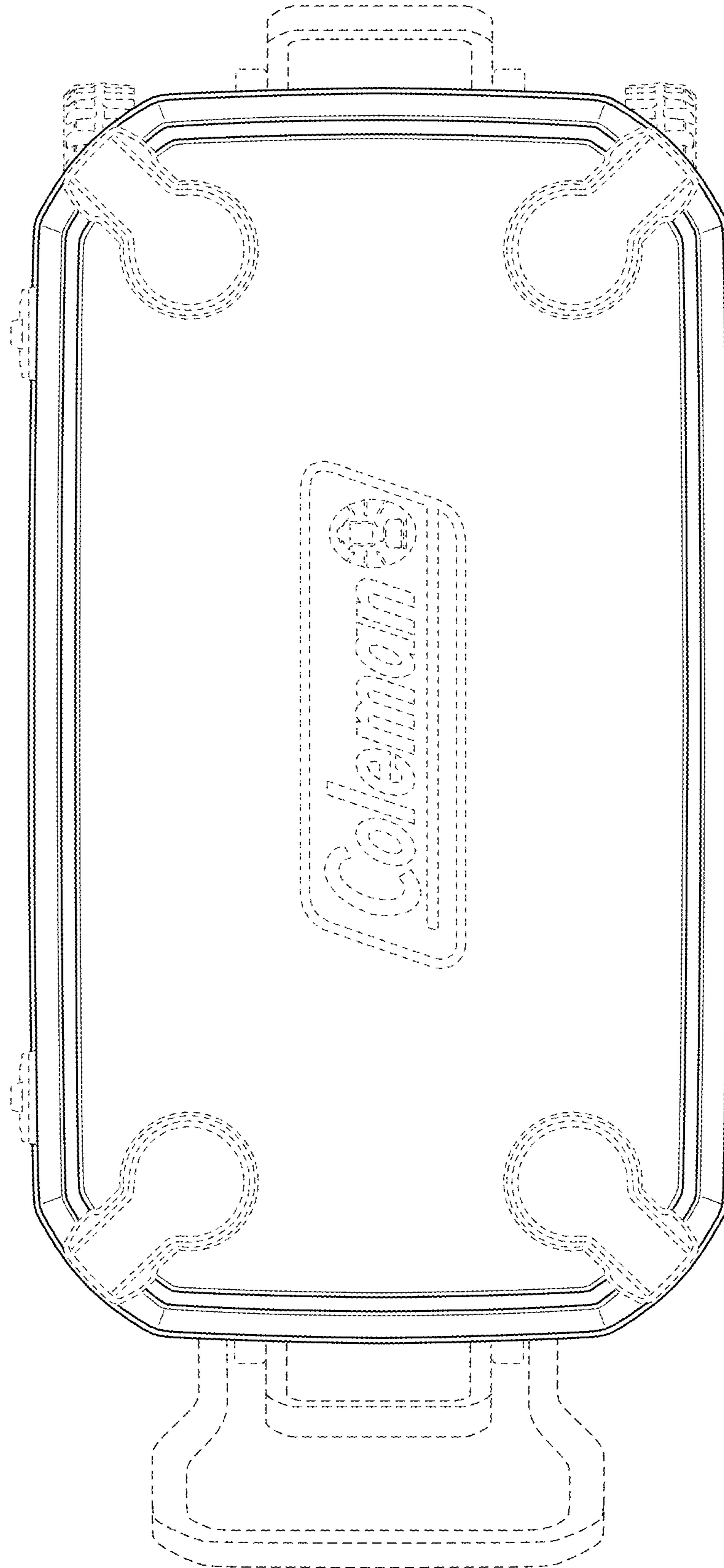
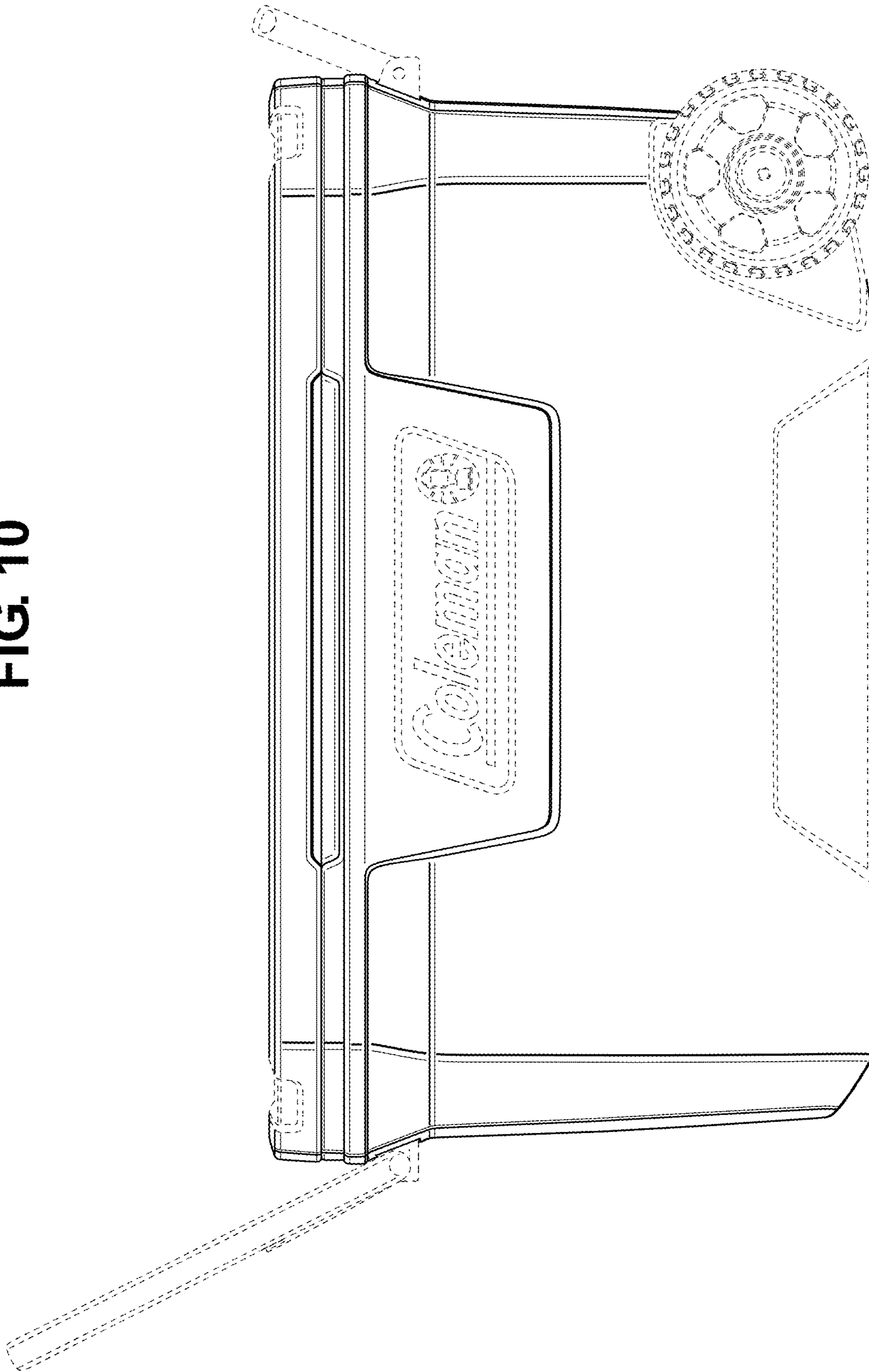


FIG. 10



**FIG. 11**

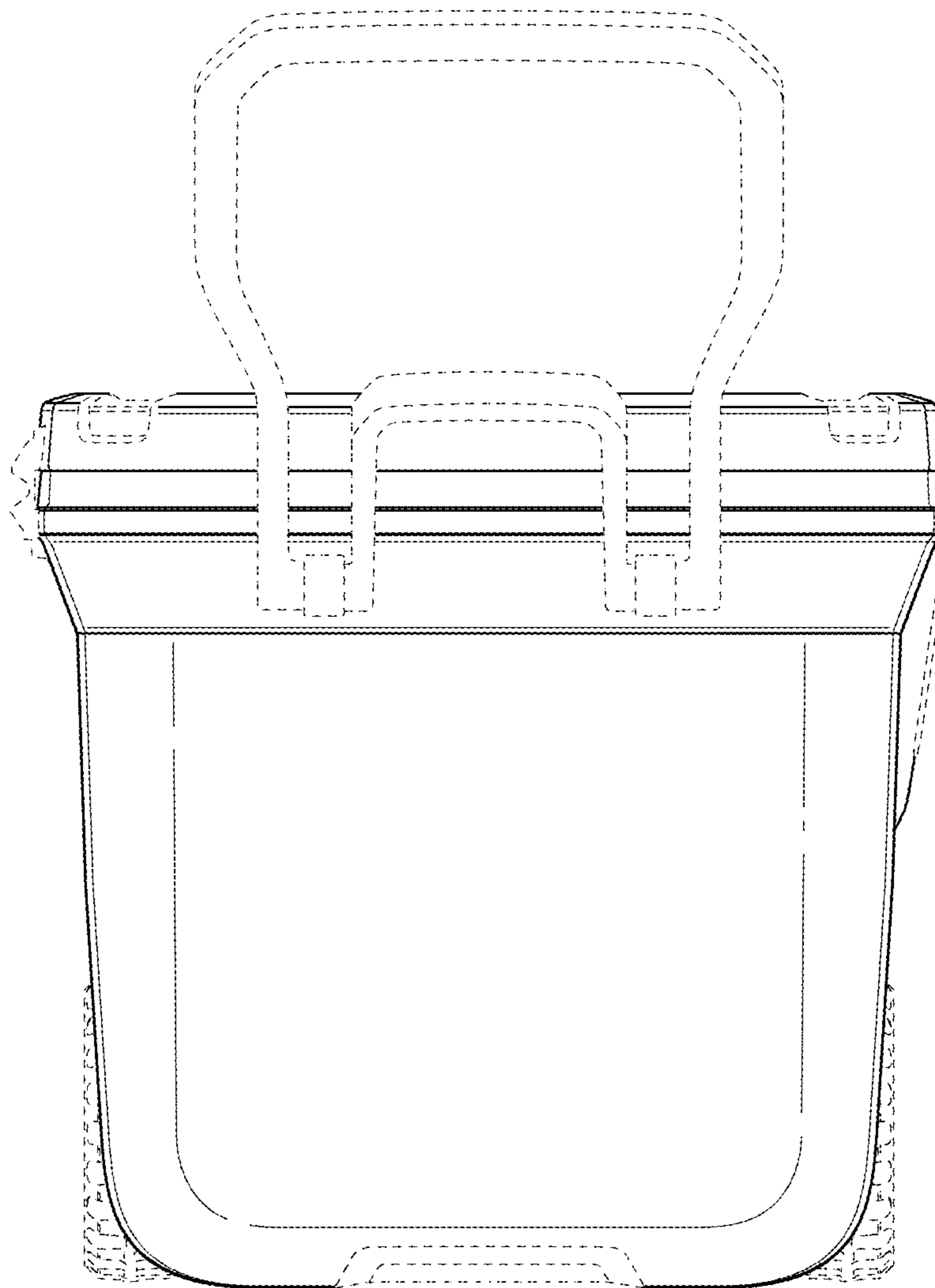
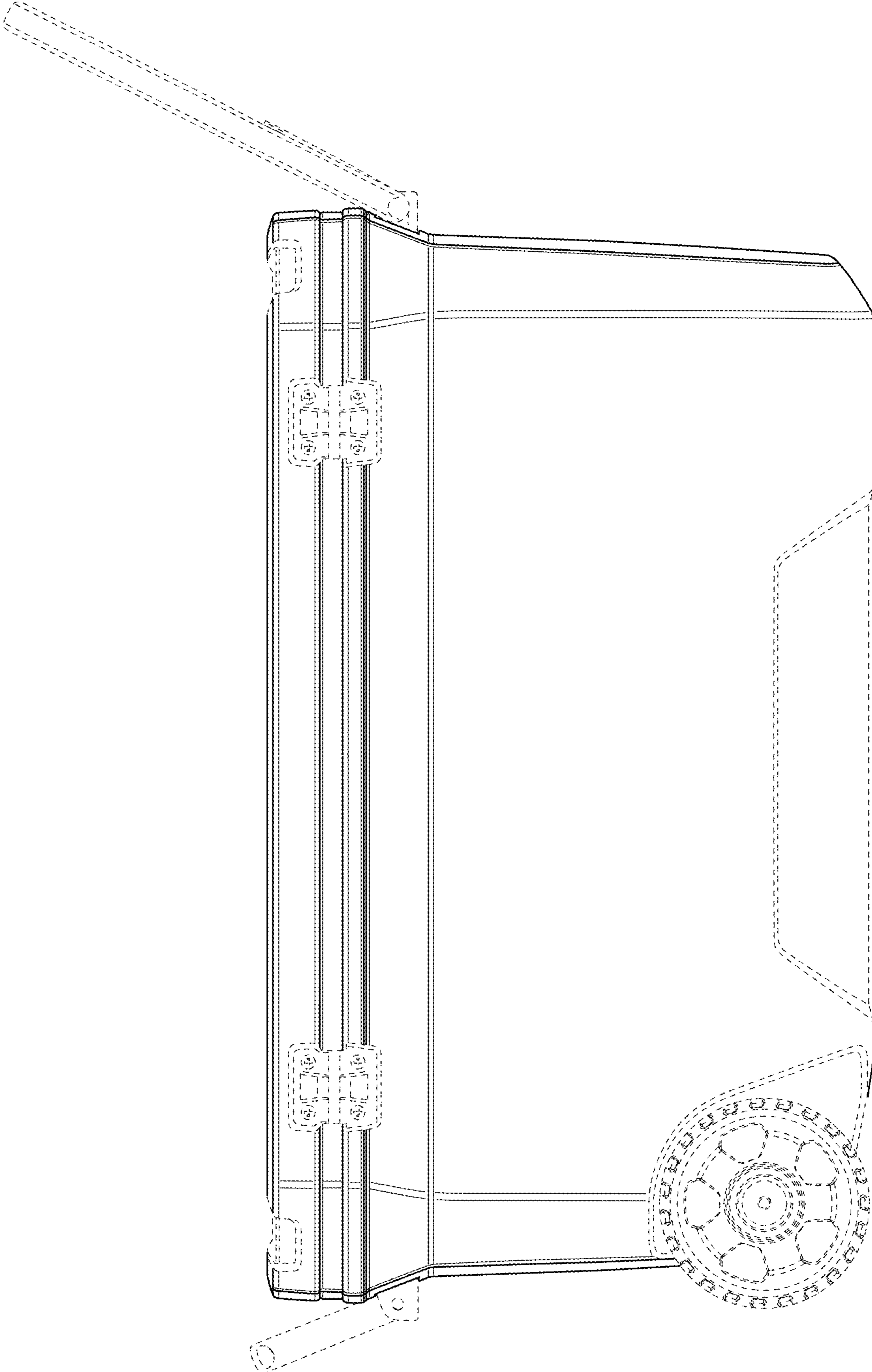
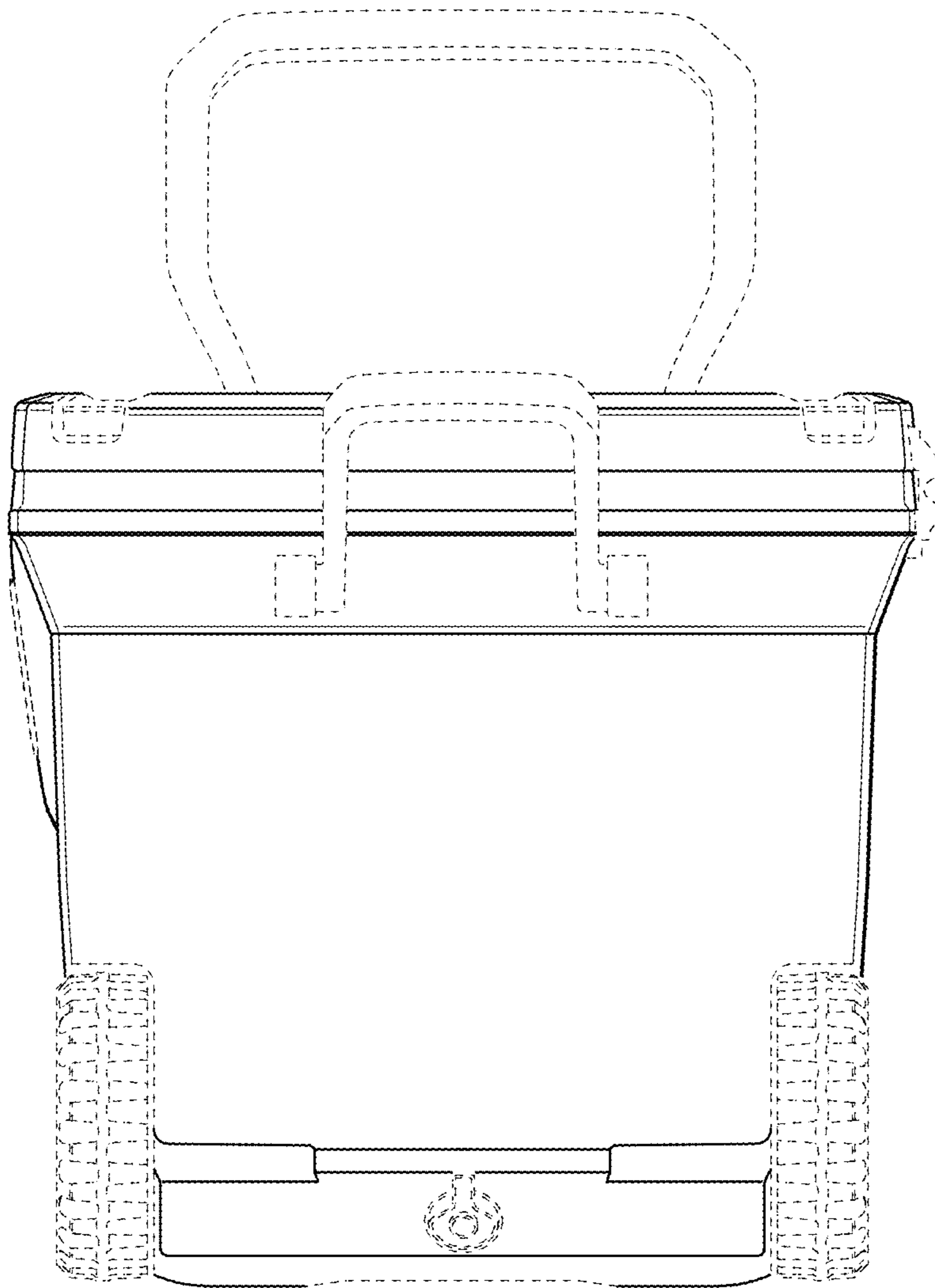


FIG. 12



**FIG. 13**



**FIG. 14**

