



US00D929188S

(12) **United States Design Patent**  
**Pennington et al.**

(10) **Patent No.:** **US D929,188 S**

(45) **Date of Patent:** **\*\* \*Aug. 31, 2021**

- (54) **COOLER**
- (71) Applicant: **The Coleman Company, Inc.**, Wichita, KS (US)
- (72) Inventors: **Stephen C. Pennington**, Kalamazoo, MI (US); **Mark A. Zavada**, Kalamazoo, MI (US); **Guo Wei Chen**, Chicago, IL (US)
- (73) Assignee: **The Coleman Company, Inc.**, Wichita, KS (US)
- (\*) Notice: This patent is subject to a terminal disclaimer.
- (\*\*) Term: **15 Years**
- (21) Appl. No.: **29/683,723**
- (22) Filed: **Mar. 15, 2019**
- (51) **LOC (13) Cl.** ..... **07-01**
- (52) **U.S. Cl.**  
USPC ..... **D7/605**
- (58) **Field of Classification Search**  
USPC ..... D7/605-608, 629, 630, 709, 710;  
D3/272-274; D15/83  
CPC ..... B65D 81/3888; B65D 81/38; B65D 81/3813; B65D 81/3816; B65D 81/3818; B65D 81/3823; B65D 81/3858; A45C 11/20; A45C 5/14; A45C 5/03; A45C 9/00; A45F 3/46; F25D 3/02; F25D 3/04; F25D 3/06; F25D 2331/804; F25D 31/005; F25D 3/14; F25D 3/08; F25D 3/12; F25D 27/005; F25D 3/11; A47B 77/08; A47J 41/022; A47J 41/00; A47J 45/06; A47G 19/2288; B26B 3/003; F25B 19/00; A45B 11/00  
See application file for complete search history.

- 5,249,438 A \* 10/1993 Rhaney ..... A45C 5/14 16/113.1
- 5,269,157 A \* 12/1993 Ciminelli ..... A45B 11/00 280/47.18
- D369,695 S \* 5/1996 Imotani ..... D6/686
- D370,159 S \* 5/1996 Fenton ..... D7/605
- D416,447 S \* 11/1999 Levy ..... D7/605
- 6,364,329 B1 \* 4/2002 Holub ..... A45C 5/14 280/47.26
- D528,368 S \* 9/2006 Maldonado ..... D7/605
- D660,589 S \* 5/2012 Ayjian ..... D3/260
- 8,210,702 B1 \* 7/2012 Sandberg ..... F25D 27/005 362/101
- 2013/0062356 A1 \* 3/2013 Deka ..... F25D 3/08 220/592.25

\* cited by examiner

*Primary Examiner* — Terry A Wallace

(74) *Attorney, Agent, or Firm* — Husch Blackwell LLP

(57) **CLAIM**

We claim the ornamental design for a cooler, as shown and described.

**DESCRIPTION**

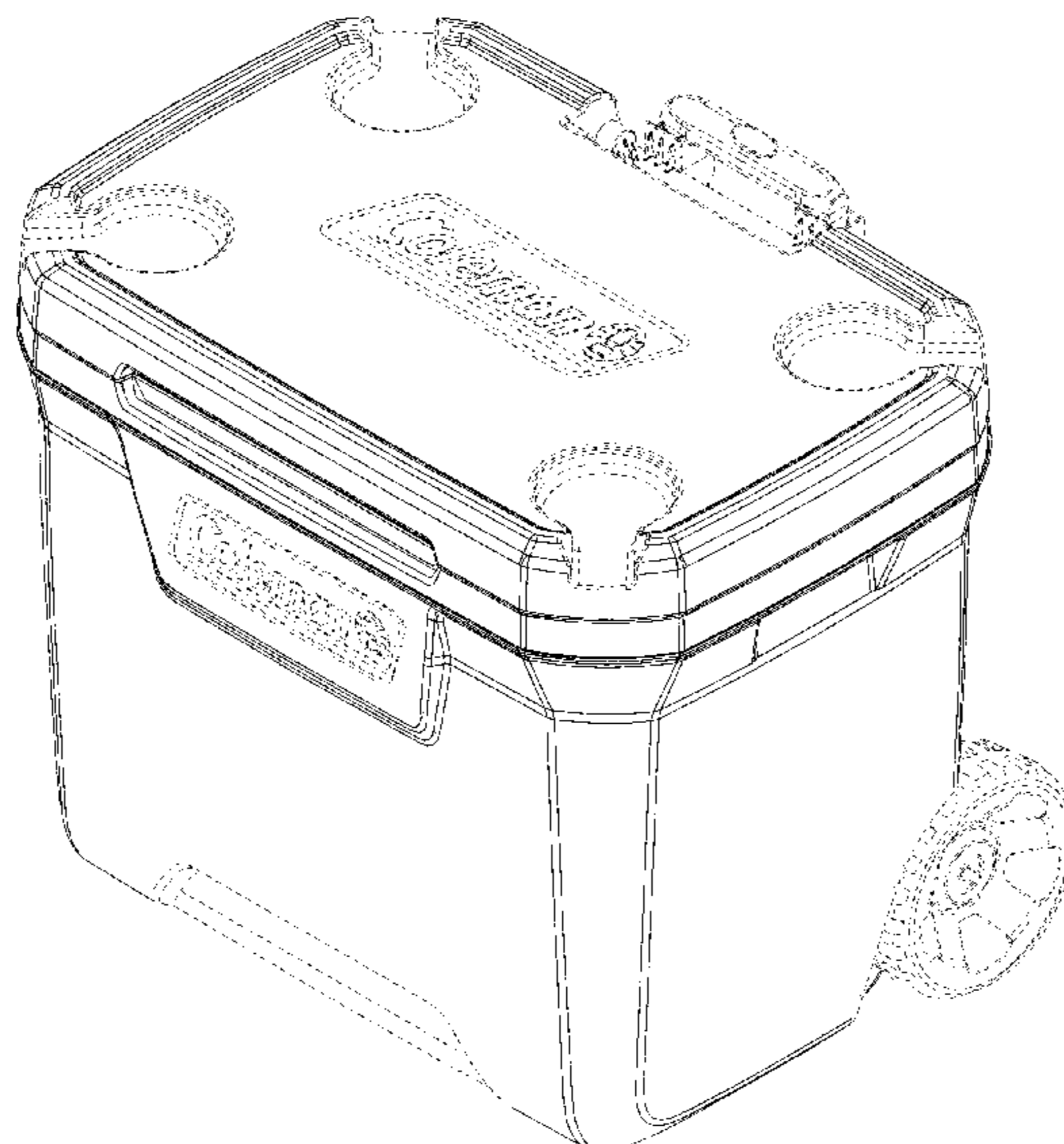
FIG. 1 is a perspective view of a cooler according to our new design;  
 FIG. 2 is a top plan view thereof;  
 FIG. 3 is a front elevation view thereof;  
 FIG. 4 is a left side elevation view thereof;  
 FIG. 5 is a rear elevation view thereof;  
 FIG. 6 is a right side elevation view thereof; and,  
 FIG. 7 is a bottom plan view thereof.  
 Broken lines and the area within the broken lines are for illustrative purposes only and form no part of the claimed design.

**1 Claim, 7 Drawing Sheets**

(56) **References Cited**

U.S. PATENT DOCUMENTS

- 4,724,681 A \* 2/1988 Bartholomew ..... F25D 3/06 190/18 A
- D328,689 S \* 8/1992 Riskowski ..... D15/83



**FIG. 1**

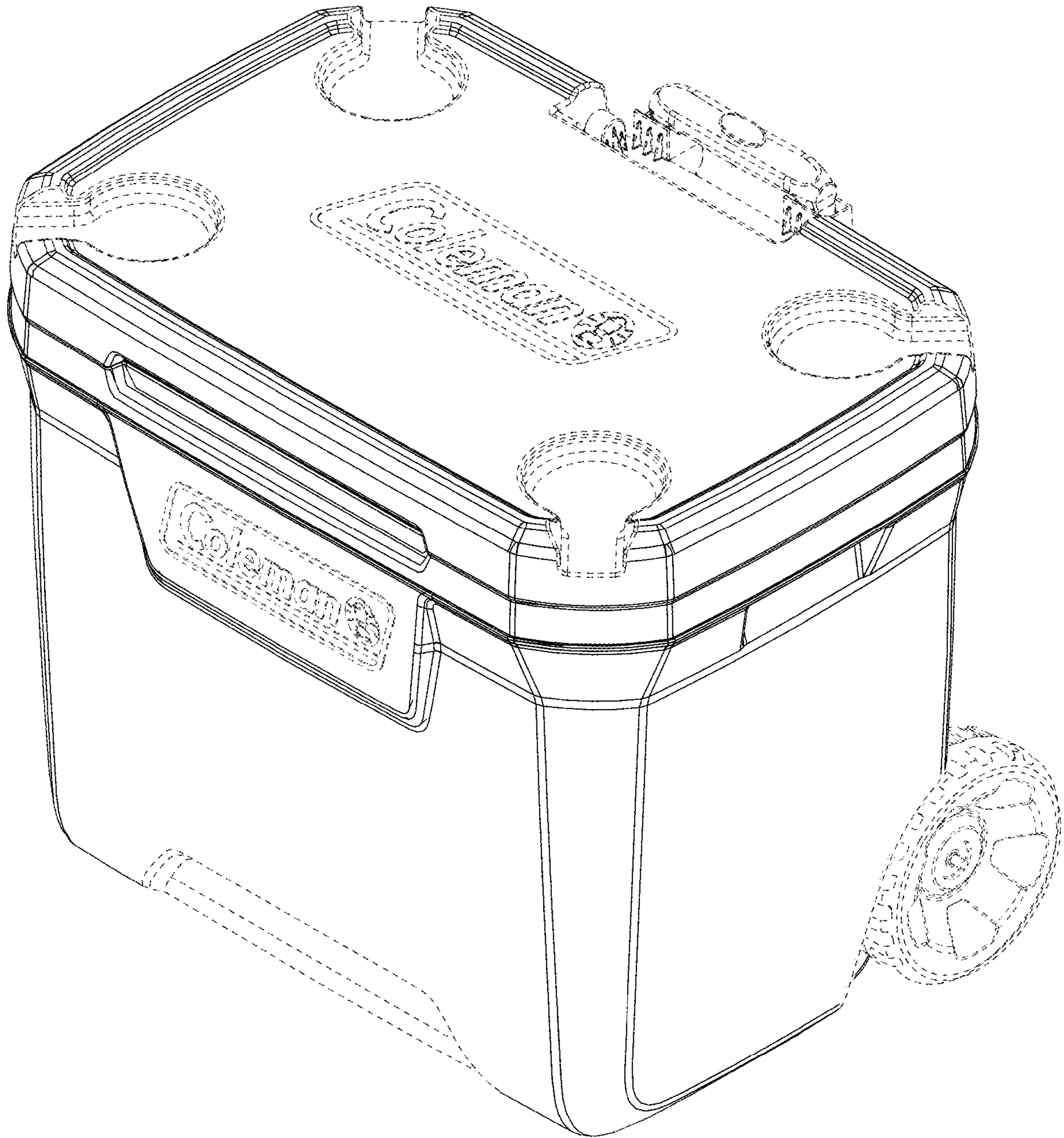
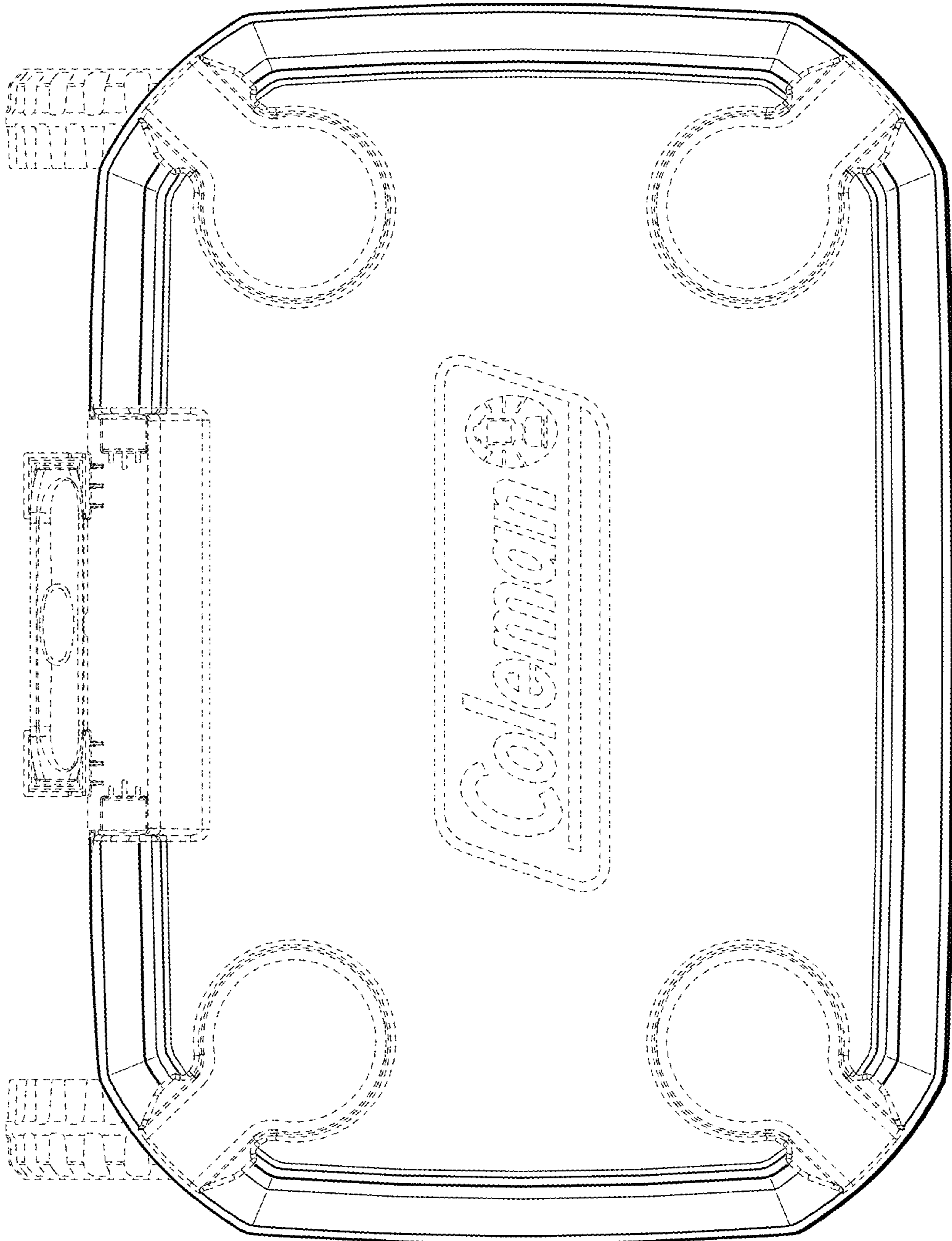
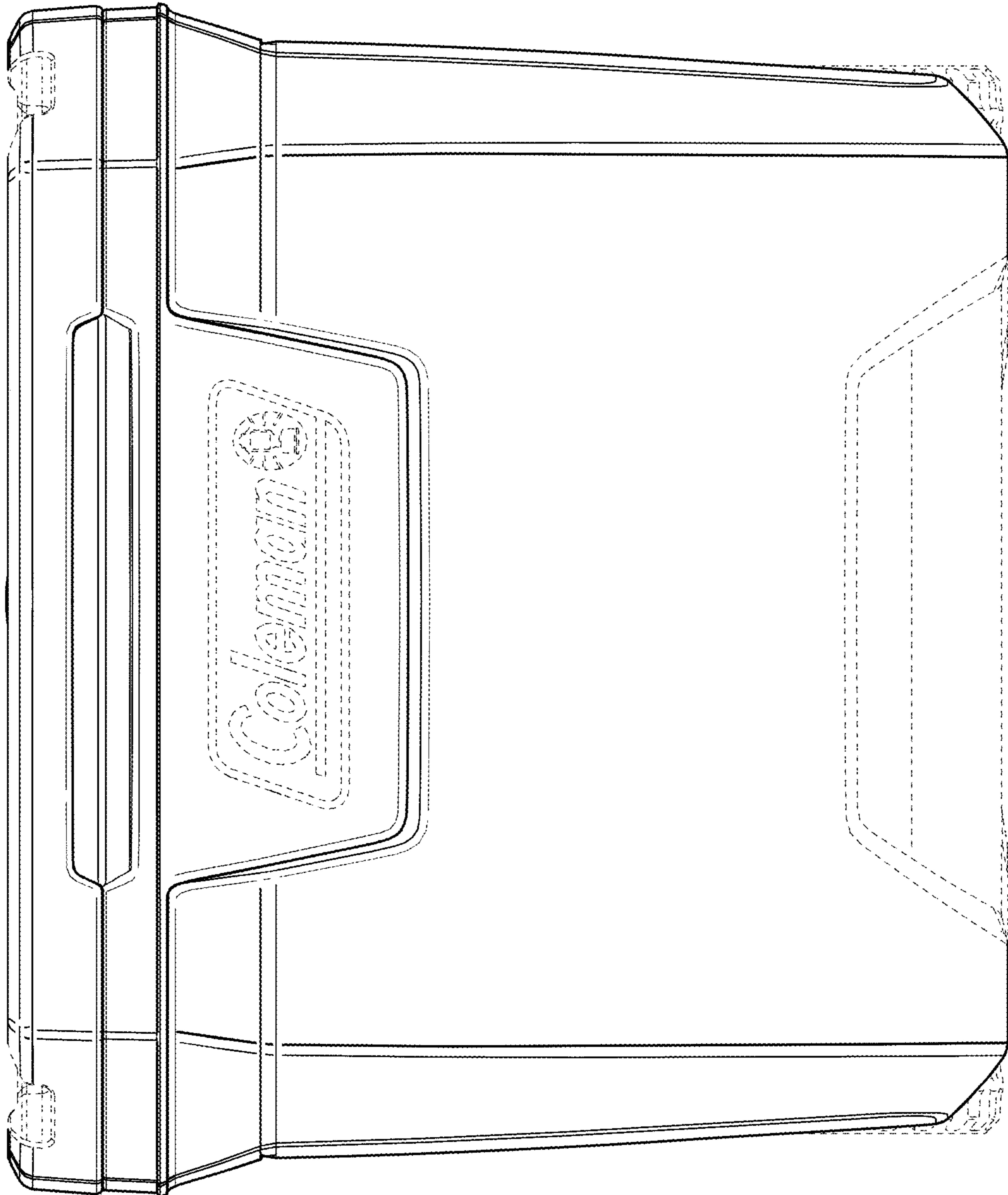




FIG. 2



**FIG. 3**



**FIG. 4**

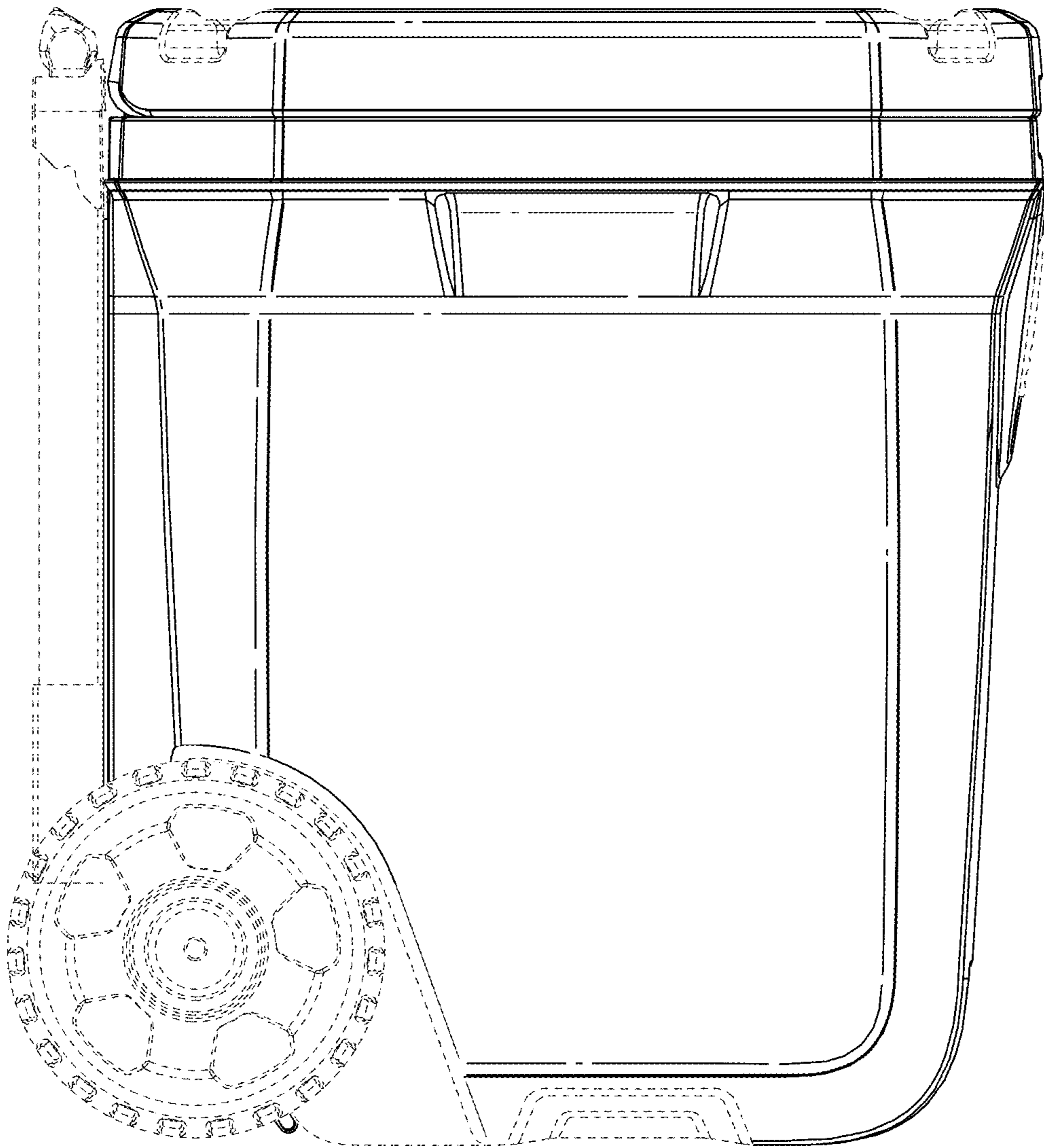
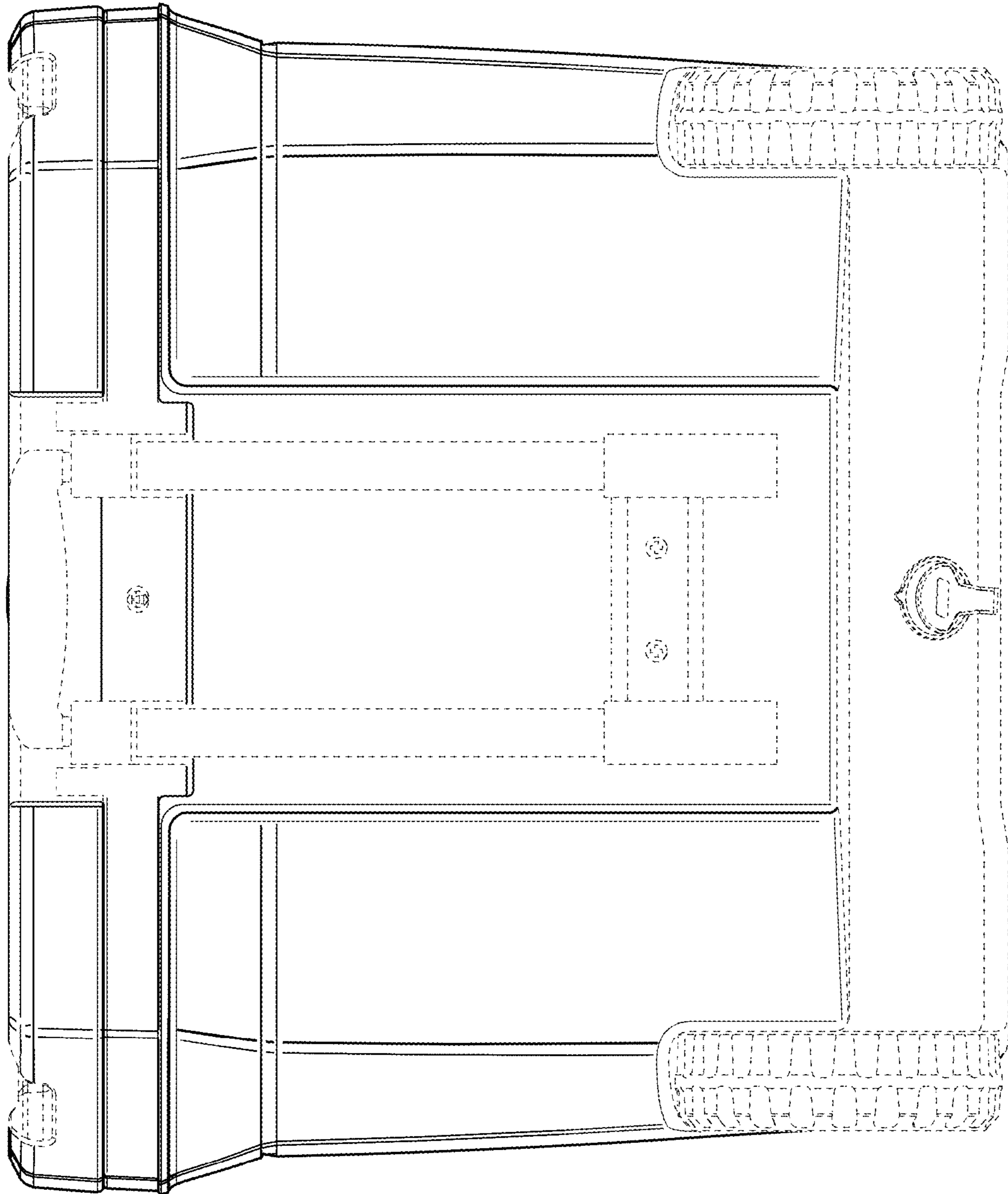


FIG. 5



**FIG. 6**

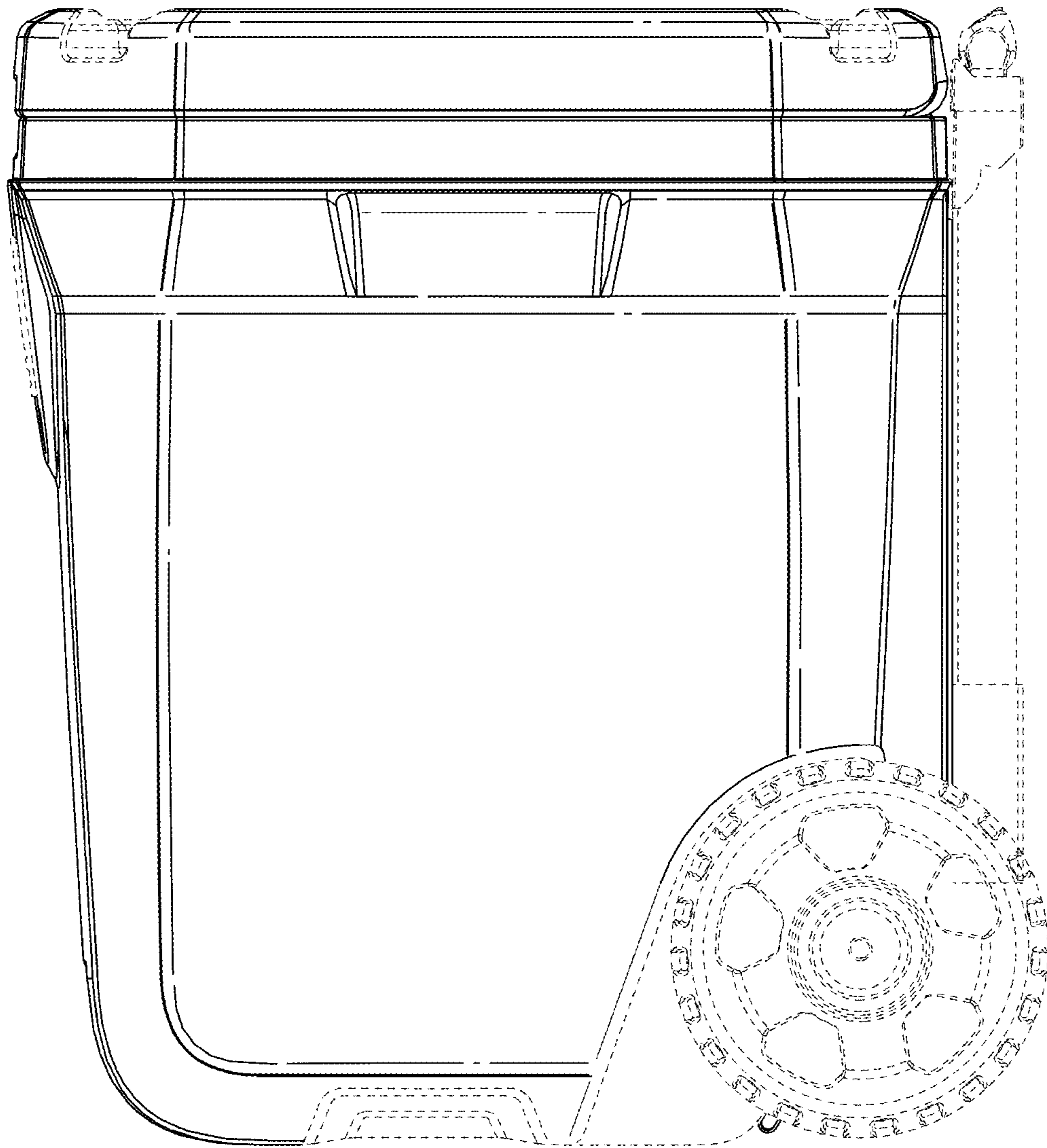




FIG. 7

