



US00D929184S

(12) **United States Design Patent** (10) **Patent No.:** **US D929,184 S**
Wahl et al. (45) **Date of Patent:** **** Aug. 31, 2021**

(54) **BEVERAGE CONTAINER**

(71) Applicant: **Pacific Market International, LLC**,
Seattle, WA (US)

(72) Inventors: **Andrew C. F. Wahl**, Seattle, WA (US);
Matthew Kenneth Dolph, Seattle, WA
(US)

(73) Assignee: **Pacific Market International, LLC**,
Seattle, WA (US)

(**) Term: **15 Years**

(21) Appl. No.: **29/713,505**

(22) Filed: **Nov. 15, 2019**

(51) **LOC (13) Cl.** **07-01**

(52) **U.S. Cl.**
USPC **D7/511**

(58) **Field of Classification Search**
USPC D7/213, 300.1, 300.2, 318, 387, 392,
D7/392.1, 396.2, 396.3, 396.4, 396.6,
(Continued)

(56) **References Cited**

U.S. PATENT DOCUMENTS

D518,335 S * 4/2006 Naft A47G 19/2266
D7/320
D653,082 S * 1/2012 George D7/510
(Continued)

FOREIGN PATENT DOCUMENTS

CA 180105 * 12/2018
CA 185598 * 1/2020
(Continued)

OTHER PUBLICATIONS

Coleman, "Coleman Company 0.5-Gallon Jug," Jul. 23, 2014,
Amazon.com, www.amazon.com/dp/B00M1SB3DW (Year: 2014).
(Continued)

Primary Examiner — Shannon W Morgan

Assistant Examiner — Arva P Adams

(74) *Attorney, Agent, or Firm* — George C. Rondeau, Jr.;
Davis Wright Tremaine LLP

(57) **CLAIM**

The ornamental design for a beverage container, as shown
and described.

DESCRIPTION

FIG. 1 is a top perspective view of a beverage container
showing our new design.

FIG. 2 is a bottom perspective view thereof.

FIG. 3 is a right side elevational view thereof.

FIG. 4 is a front elevational view thereof.

FIG. 5 is a rear elevational view thereof.

FIG. 6 is a left side elevational view thereof.

FIG. 7 is a top plan view thereof.

FIG. 8 is a bottom plan view thereof.

FIG. 9 is a top perspective view of a second embodiment
thereof.

FIG. 10 is a bottom perspective view thereof.

FIG. 11 is a right side elevational view thereof.

FIG. 12 is a front elevational view thereof.

FIG. 13 is a rear elevational view thereof.

FIG. 14 is a left side elevational view thereof.

FIG. 15 is a top plan view thereof.

FIG. 16 is a bottom plan view thereof.

FIG. 17 is a top perspective view of a third embodiment
thereof.

FIG. 18 is a bottom perspective view thereof.

FIG. 19 is a right side elevational view thereof.

FIG. 20 is a front elevational view thereof.

FIG. 21 is a rear elevational view thereof.

FIG. 22 is a left side elevational view thereof.

FIG. 23 is a top plan view thereof.

FIG. 24 is a bottom plan view thereof.

FIG. 25 is a top perspective view of a fourth embodiment
thereof.

FIG. 26 is a bottom perspective view thereof.

FIG. 27 is a right side elevational view thereof.

FIG. 28 is a front elevational view thereof.

FIG. 29 is a rear elevational view thereof.

(Continued)

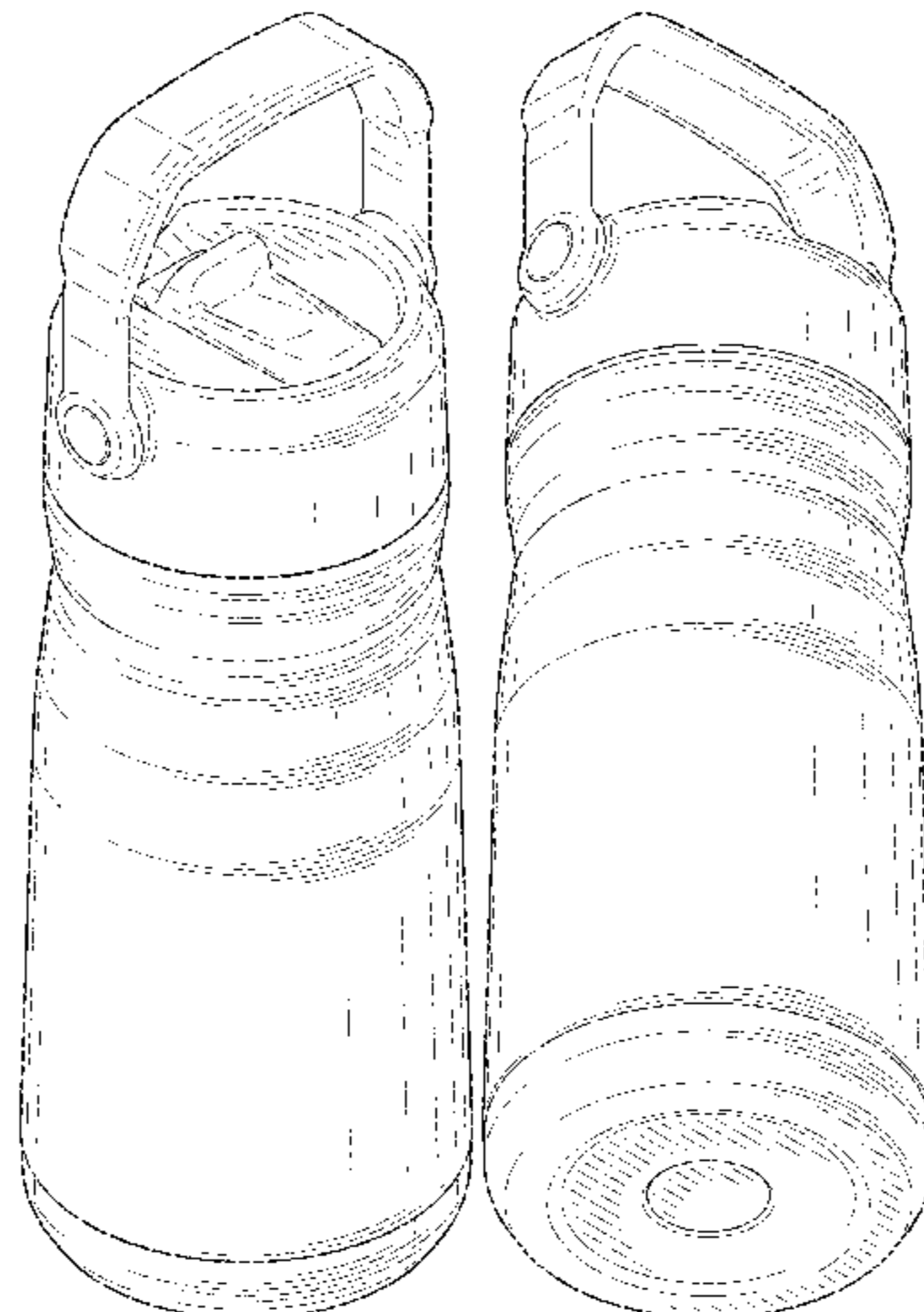


FIG. 30 is a left side elevational view thereof.
 FIG. 31 is a top plan view thereof; and,
 FIG. 32 is a bottom plan view thereof.
 The broken lines depict portions of the beverage container
 that form no part of the claimed design.

1 Claim, 28 Drawing Sheets

(58) **Field of Classification Search**

USPC D7/412, 413, 507, 509–511, 513, 523,
 D7/529, 531–535, 536, 584, 591, 598,
 D7/608, 624.2, 629, 705, 900;
 D9/434–436, 439, 440, 443, 449, 452,
 D9/500–505, 510, 516, 519, 520, 527,
 D9/537, 541, 549, 550, 552, 553, 556,
 D9/558, 559, 566, 571, 644, 683, 716,
 D9/742, 772, 777, 900; D24/196, 197
 CPC B65D 1/00; B65D 1/02; B65D 1/0223;
 B65D 1/0292; B65D 50/061; B65D
 39/0047; B65D 81/00; B65D 51/24; A47J
 41/00; A47J 41/0011; A47J 41/0027;
 A47J 41/0083; A47J 41/0088; A47J
 41/02; A47J 41/026; A47G 19/22; A47G
 19/2205; A47G 19/2211; A47G 19/2227;
 A47G 19/2255; A47G 19/2272; A47G
 19/2288; A47G 23/0208; A47G 23/0216;
 A47G 23/0241; A47G 23/0258; A47G
 23/0266

See application file for complete search history.

(56) **References Cited**

U.S. PATENT DOCUMENTS

D814,855 S * 4/2018 Hammer D7/392.1
 D824,217 S * 7/2018 Seiders D7/608
 D838,549 S * 1/2019 Gu D7/510
 D839,057 S * 1/2019 Jacobsen D7/608

D839,684 S * 2/2019 Jacobsen D7/608
 D839,685 S * 2/2019 Jacobsen D7/608
 D845,084 S * 4/2019 Jacobsen D7/608
 D862,985 S * 10/2019 Backs D7/511
 D867,812 S * 11/2019 Lane D7/392
 D872,522 S * 1/2020 Diener D7/392.1
 D872,524 S * 1/2020 Bo D7/392.1
 D876,905 S * 3/2020 Seiders D7/608
 D883,041 S * 5/2020 Park A47G 19/2272
 D7/608
 D885,837 S * 6/2020 Bo D7/510
 D886,517 S * 6/2020 Bo D7/392.1
 D894,671 S * 9/2020 Huang D7/392.1
 D894,672 S * 9/2020 Huang D7/392.1
 D895,361 S * 9/2020 Wang D7/510
 D897,761 S * 10/2020 Zhang D7/392.1
 D900,539 S * 11/2020 Yao D7/392.1
 D903,405 S * 12/2020 Zhang D7/392.1
 D906,042 S * 12/2020 Chen D7/392.1
 D911,100 S * 2/2021 Chen D7/392.1
 2014/0138395 A1 * 5/2014 Joy A47G 19/2272
 220/715

FOREIGN PATENT DOCUMENTS

CN 304480602 * 1/2018
 CN 305248333 * 7/2019
 EA 007951371-0014 * 7/2020
 EM 007951371-0002 * 7/2020
 JP D1619569 * 12/2018
 KR 3010240580006 * 9/2019
 KR 3010326900001 * 11/2019

OTHER PUBLICATIONS

Stanley, “The Iceflow Flip Straw Water Bottle,” Apr. 15, 2021,
 Stanley1913.com, www.stanley1913.com/products/the-iceflow-flip-
 straw-water-bottle-17-oz (Year: 2021).*
 Stanley, Stanley IceFlow Stainless Steel Bottle with Straw, Jan. 3,
 2021, Amazon.com, www.amazon.com/dp/B08RXXSQVFN (Year:
 2021).*

* cited by examiner

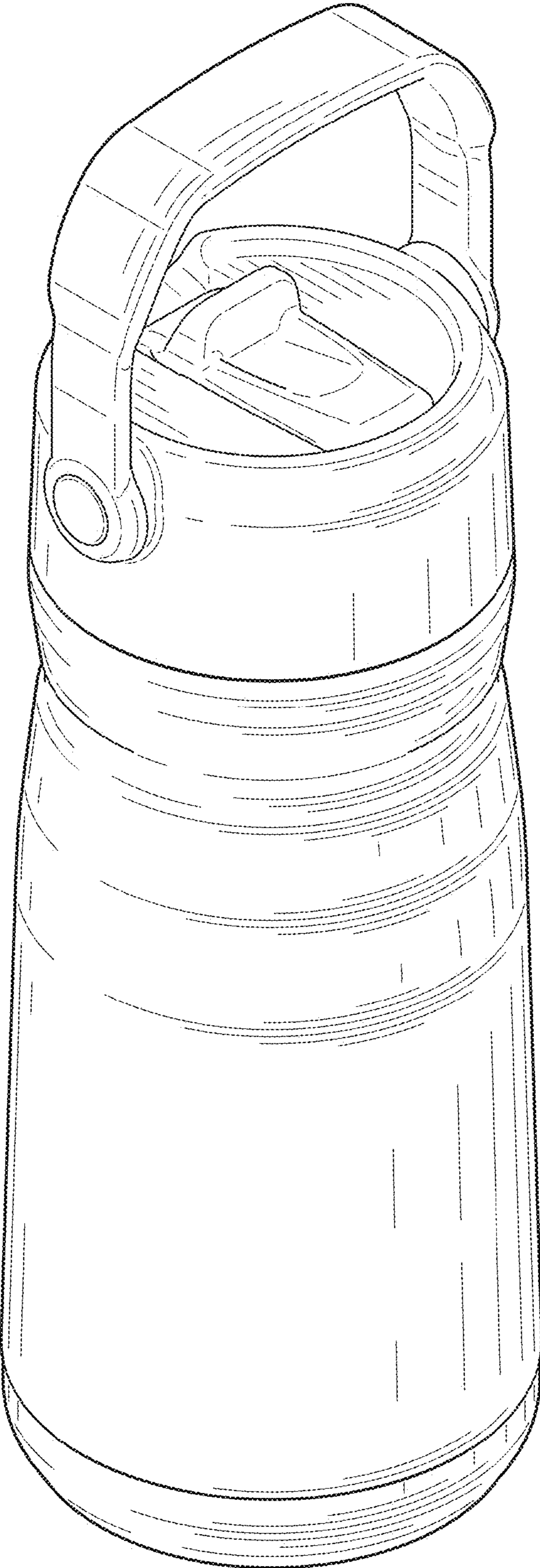


FIG. 1

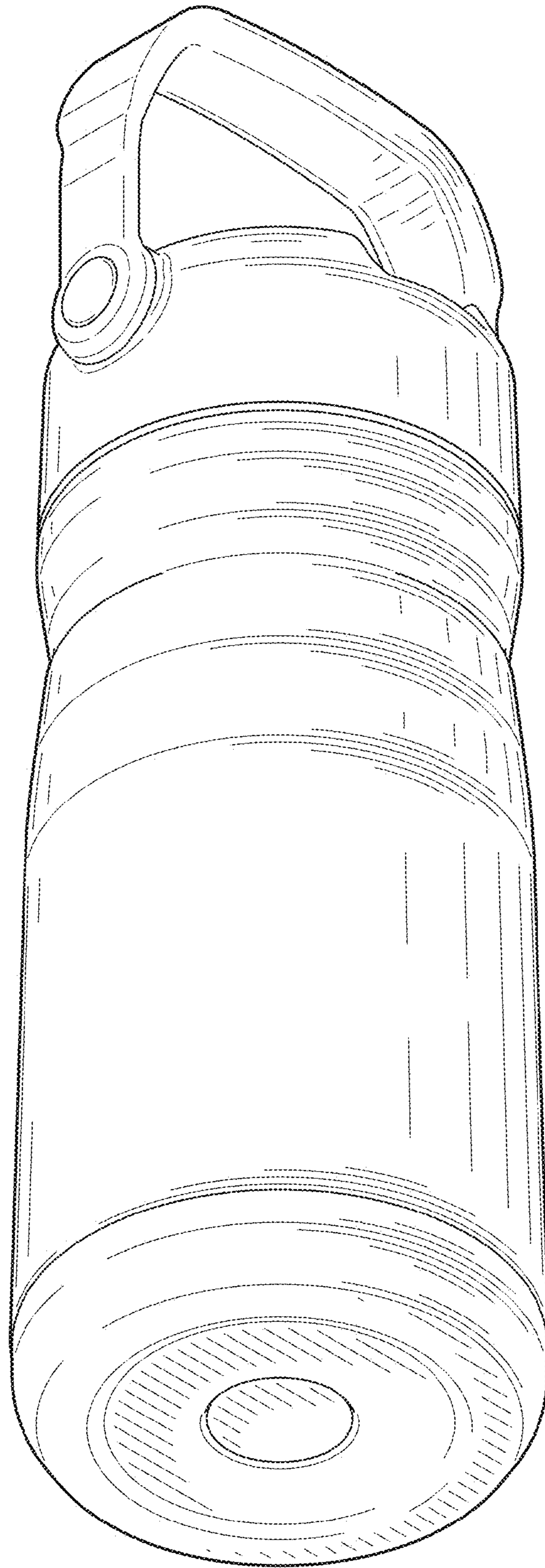


FIG. 2

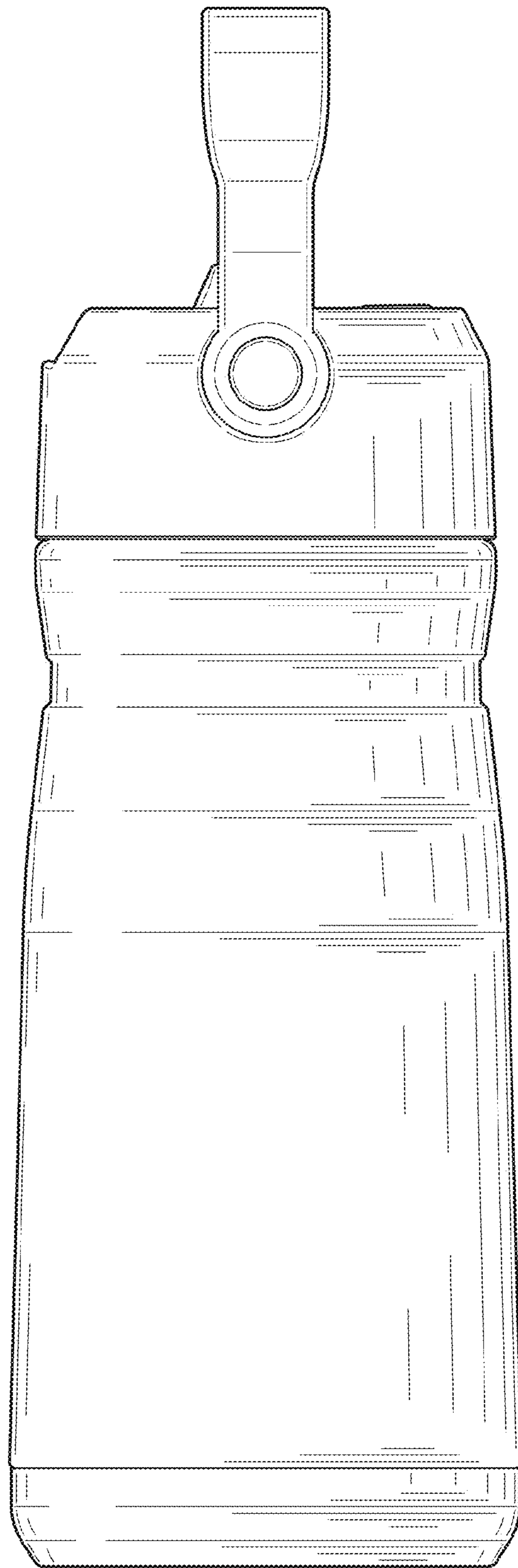


FIG. 3

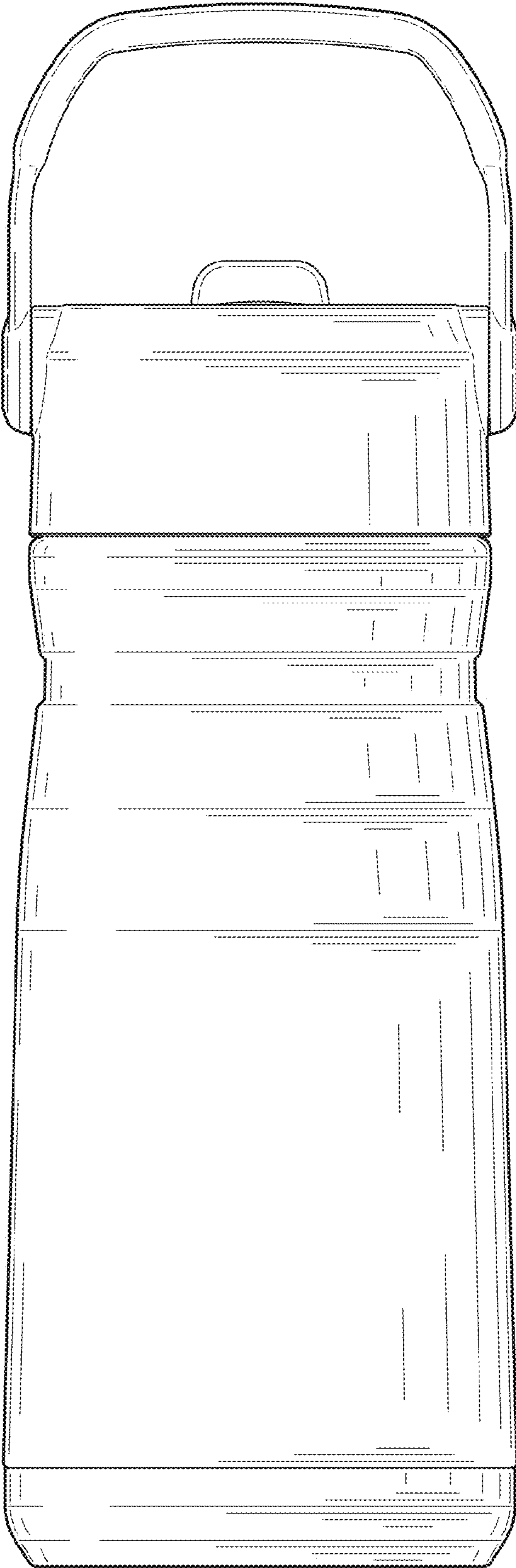


FIG. 4

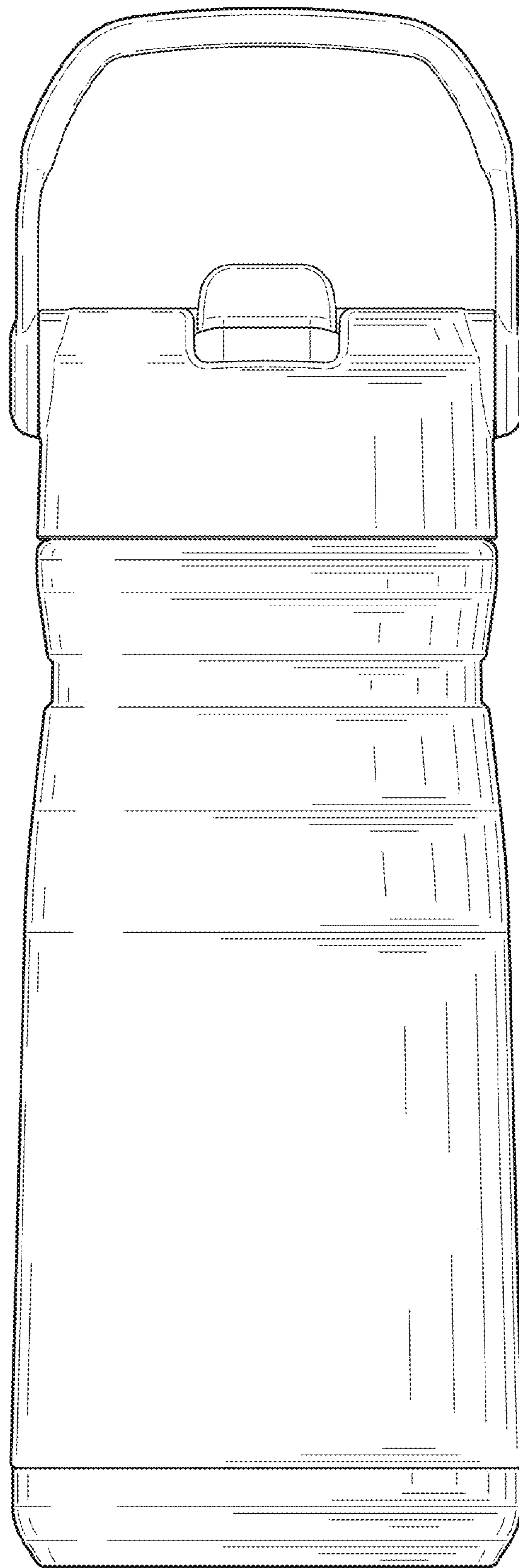


FIG. 5

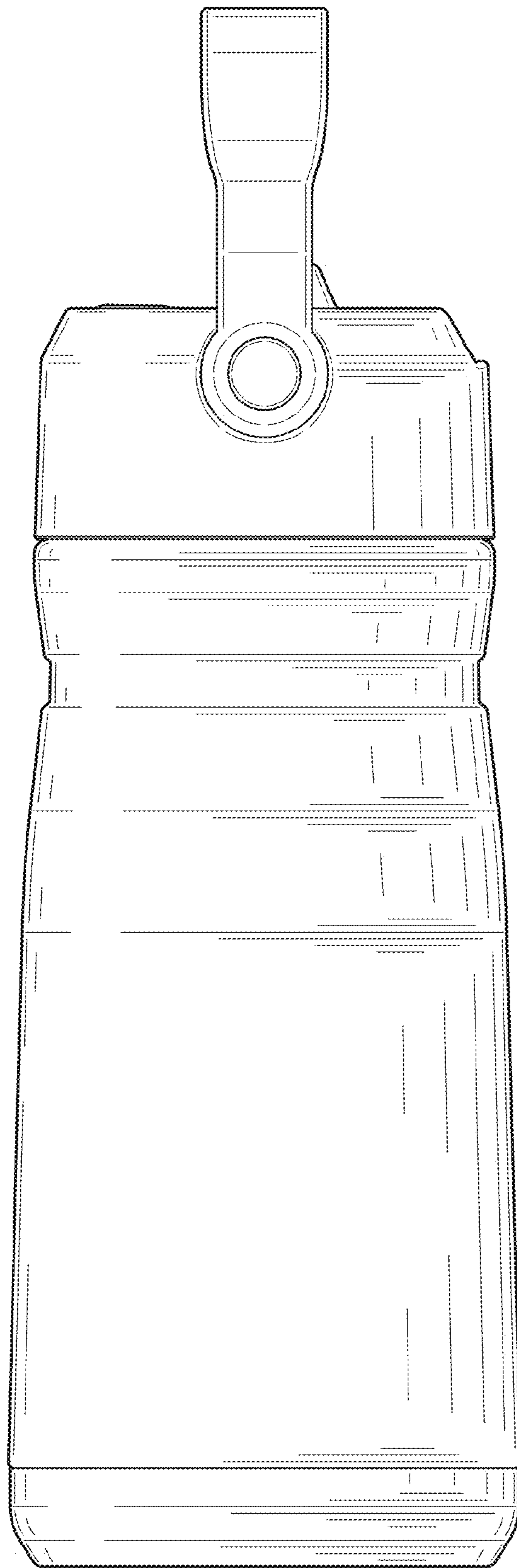


FIG. 6

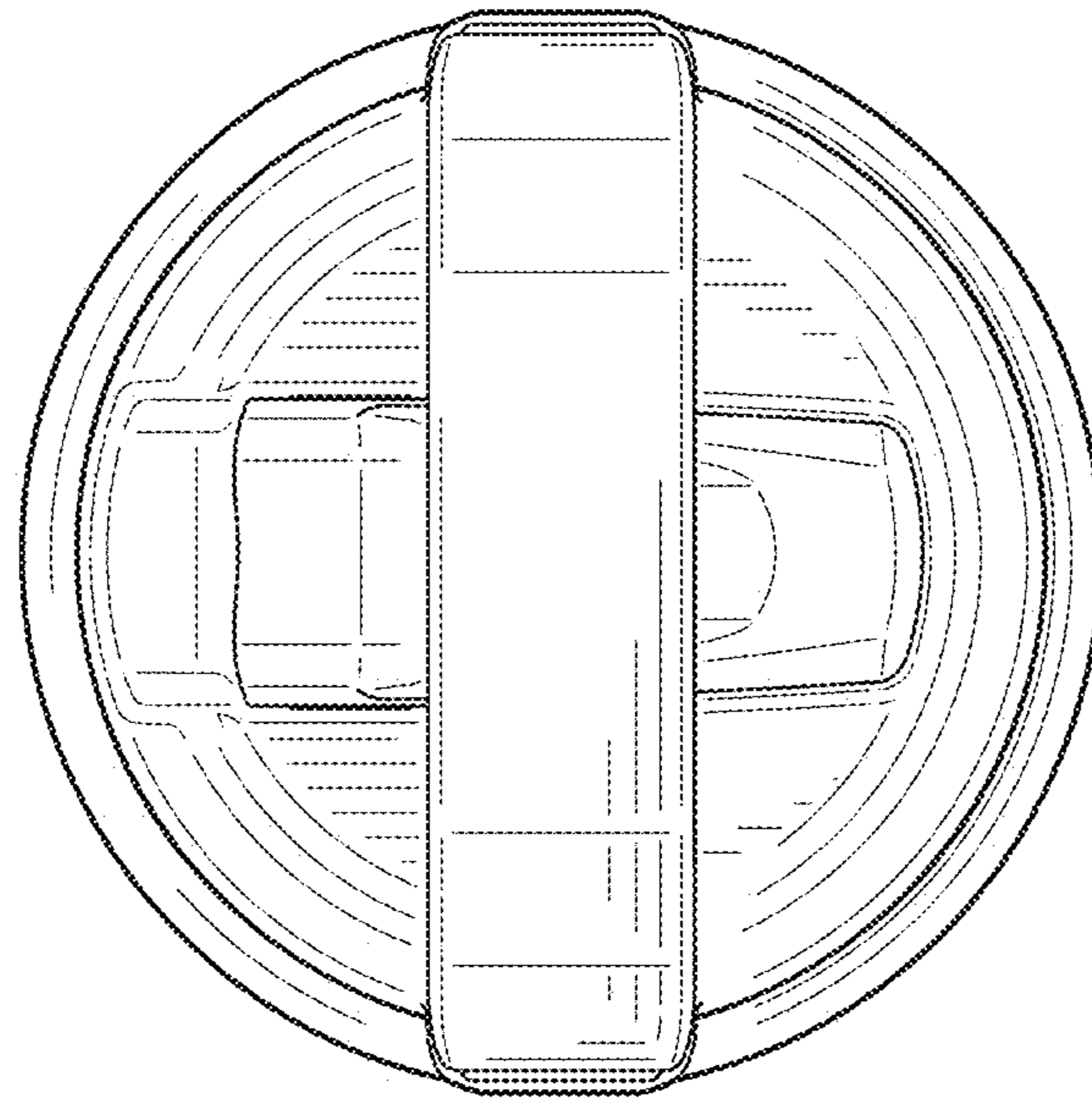


FIG. 7

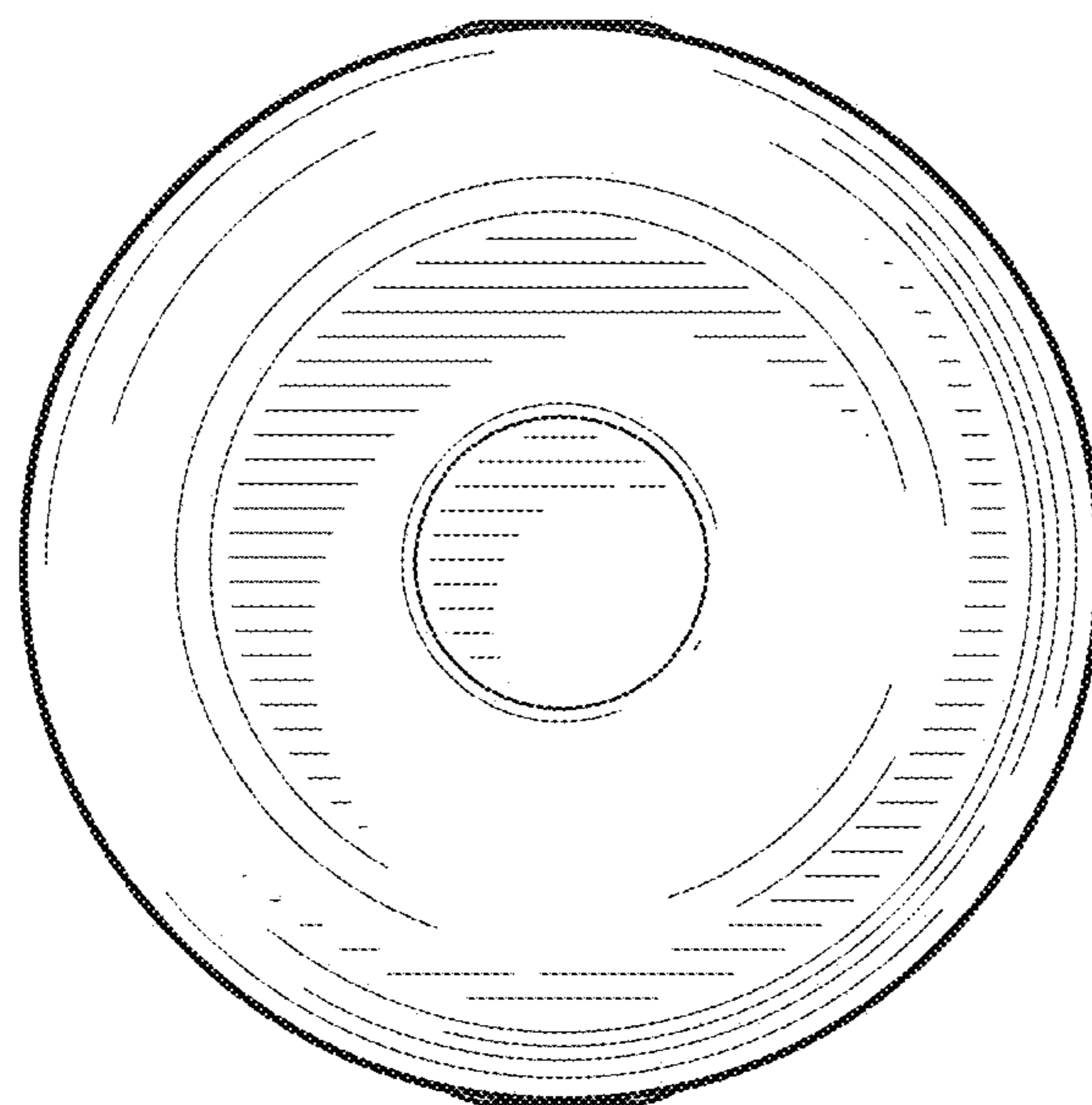


FIG. 8

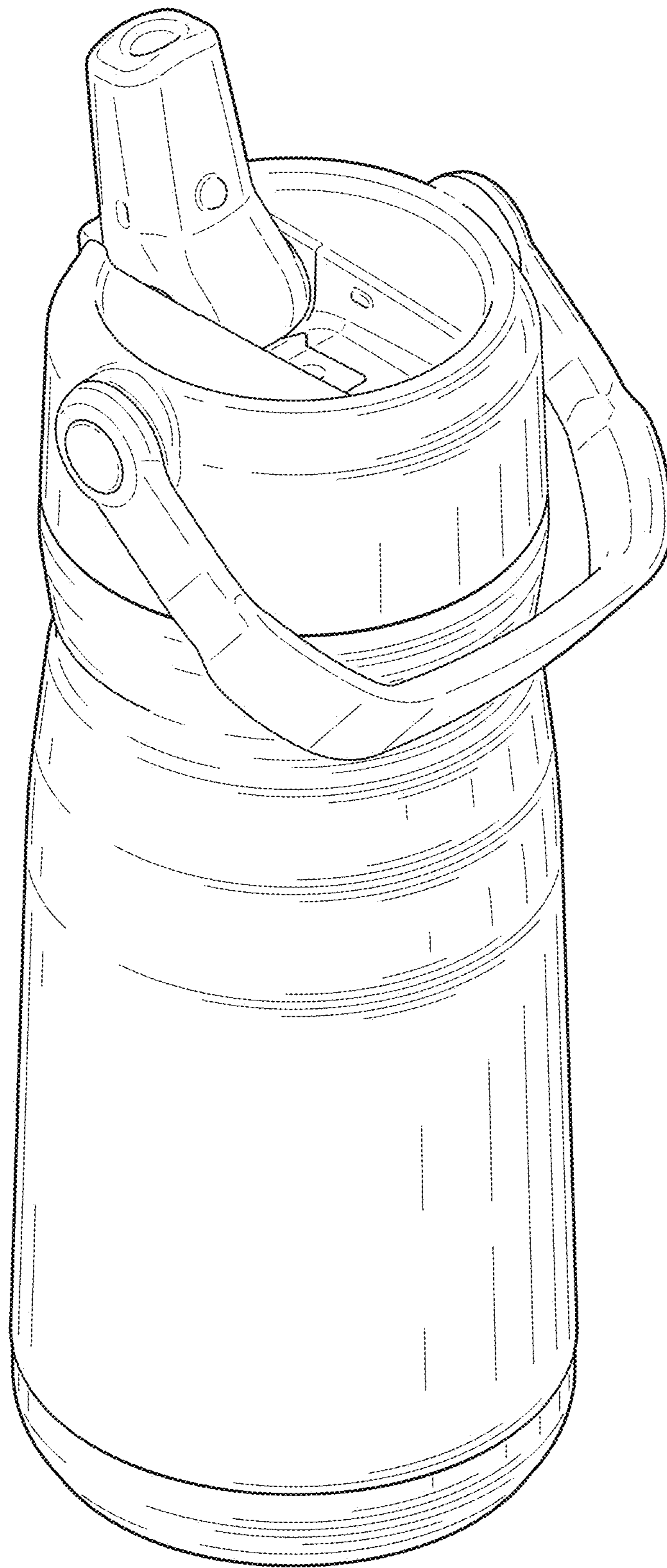


FIG. 9

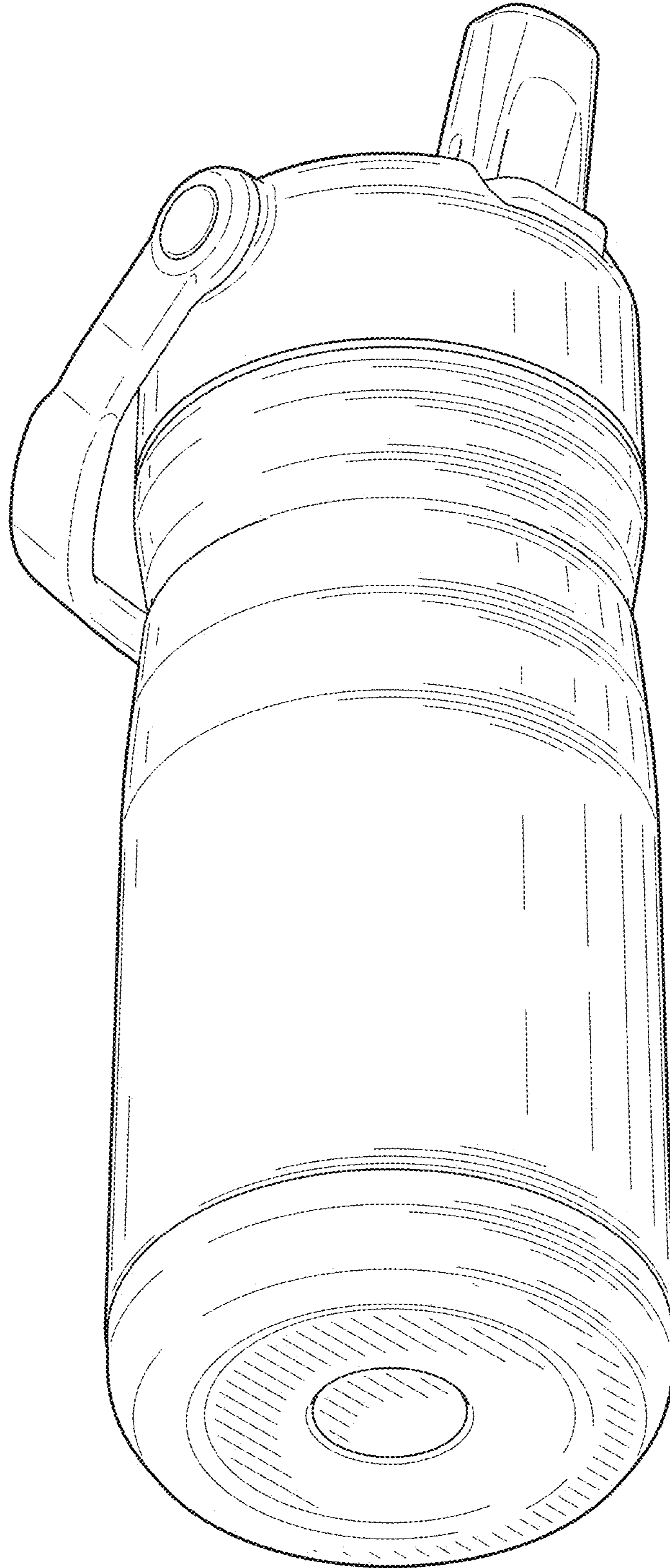


FIG. 10

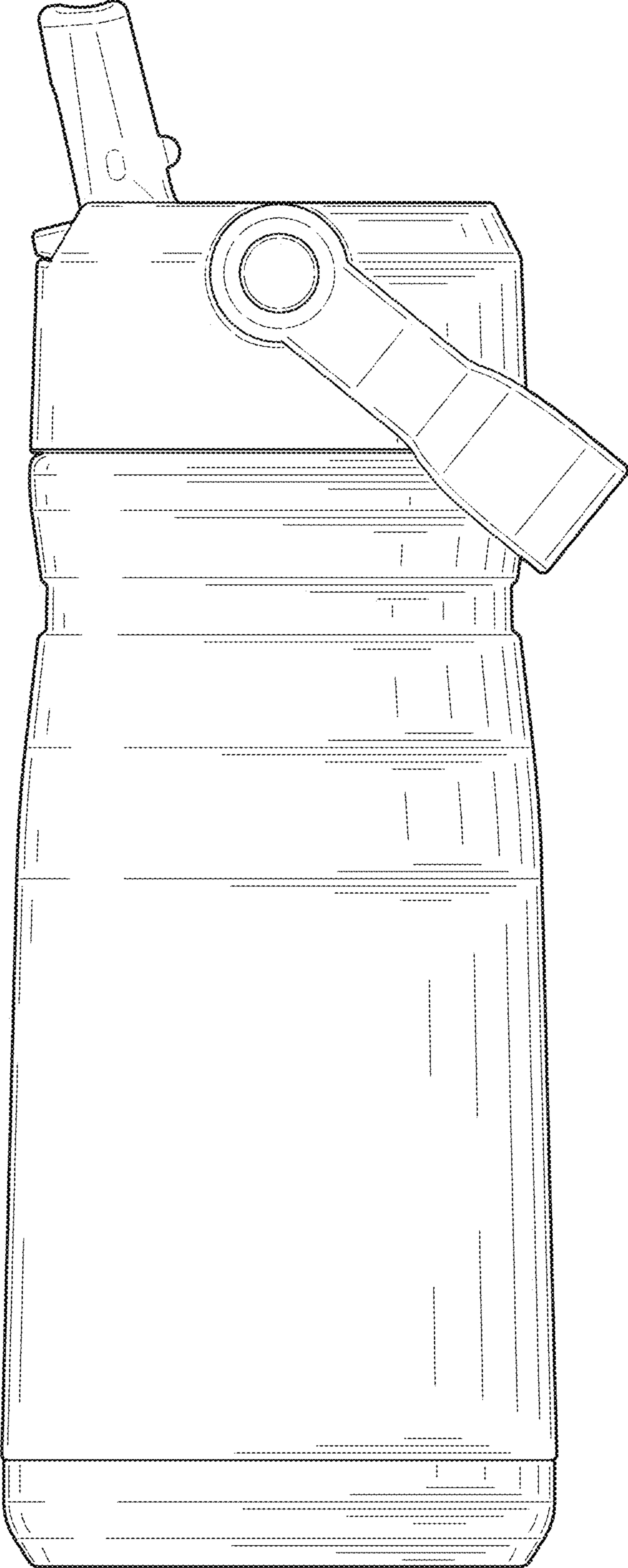


FIG. 11

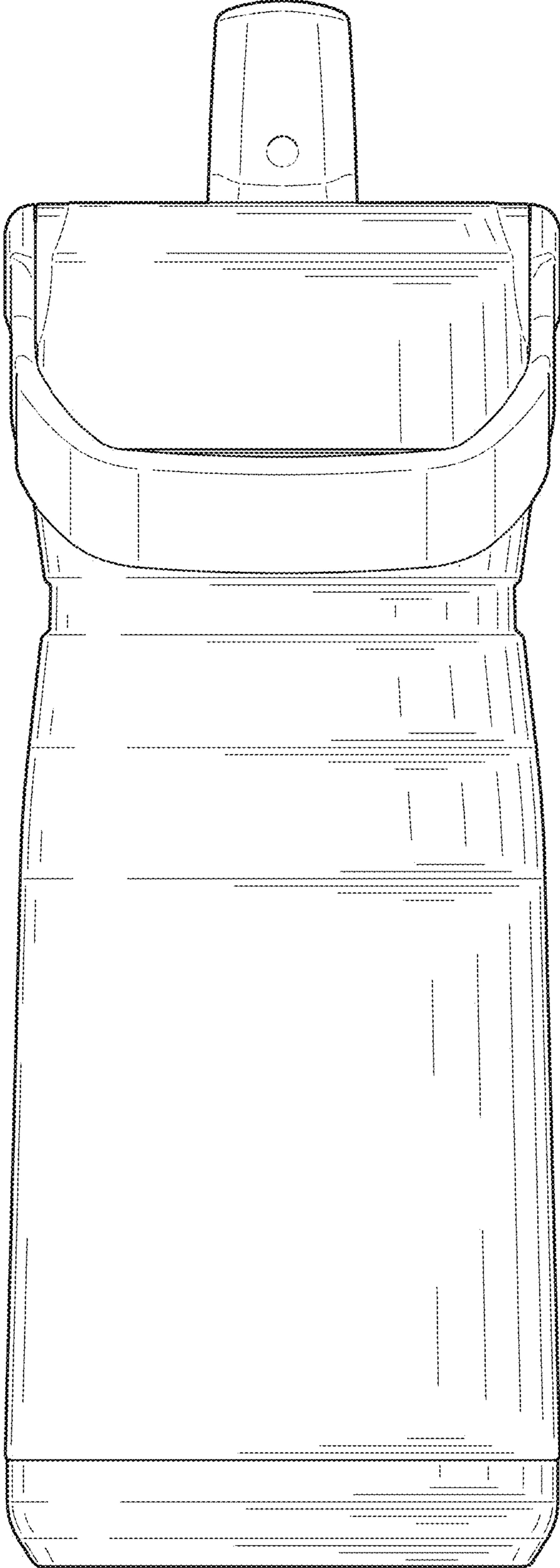


FIG. 12

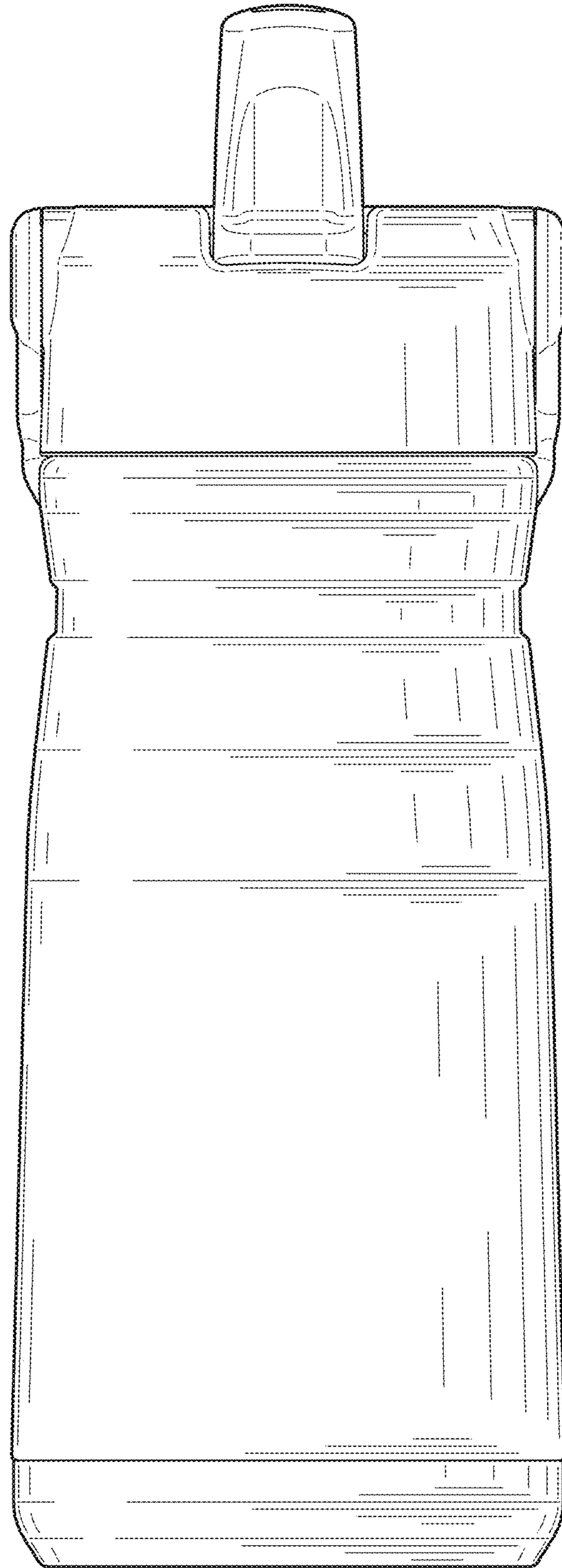


FIG. 13

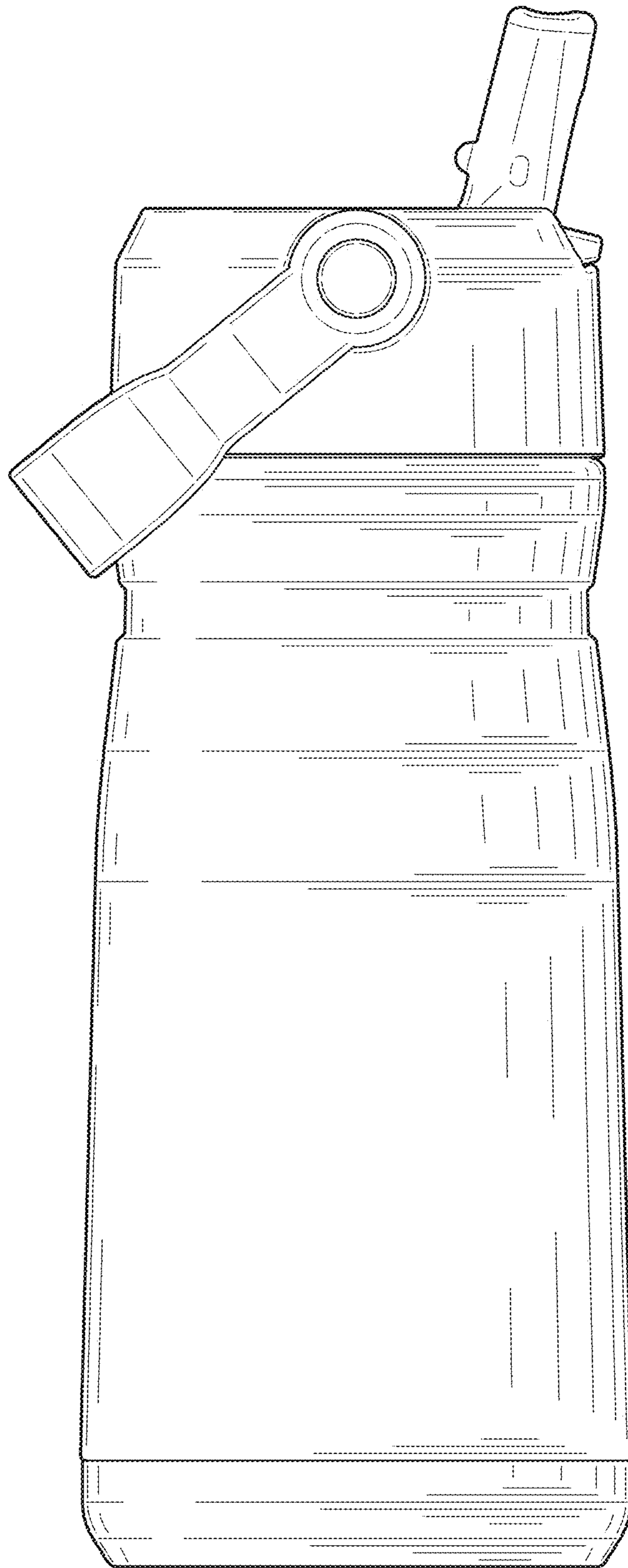


FIG. 14

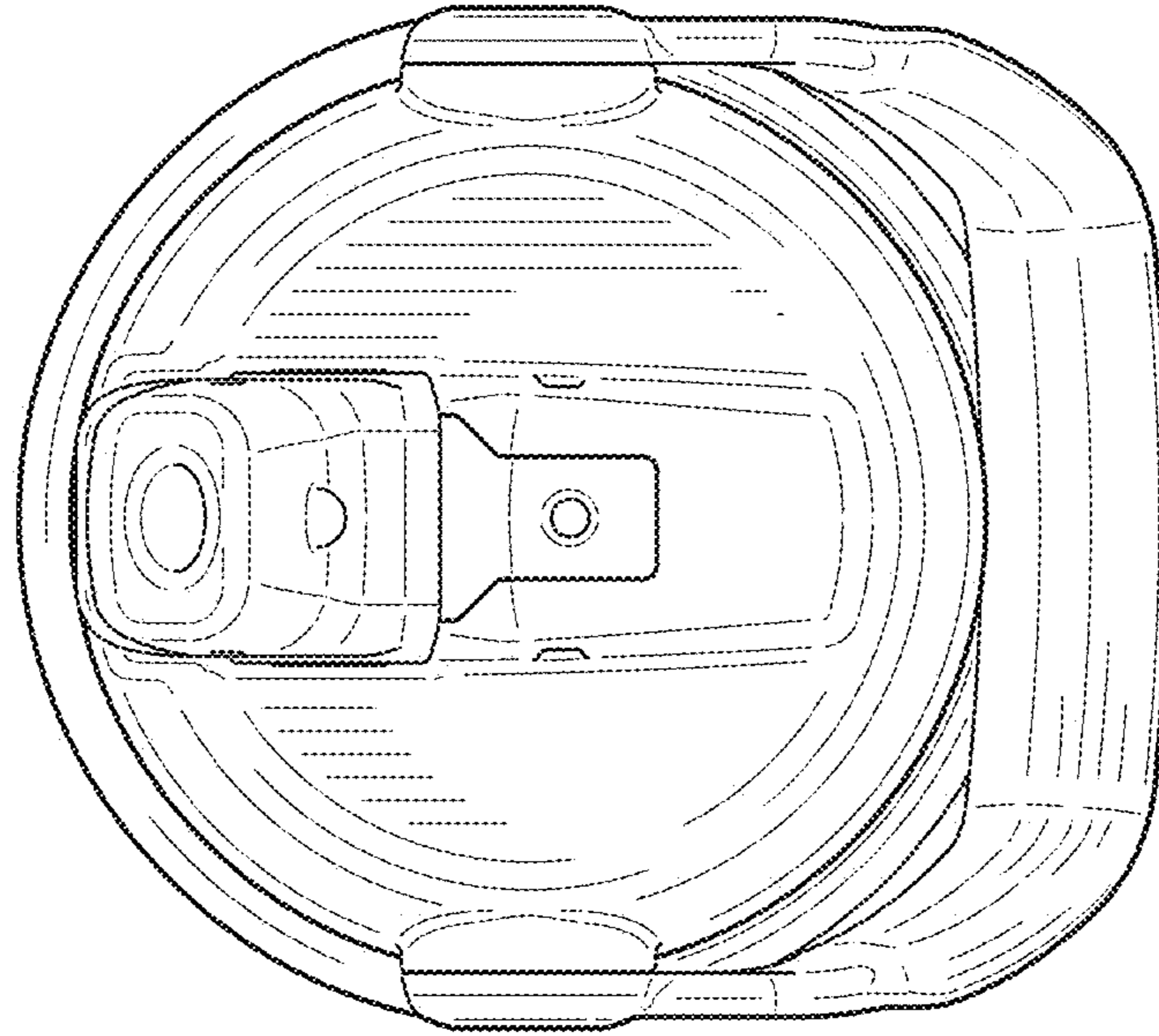


FIG. 15

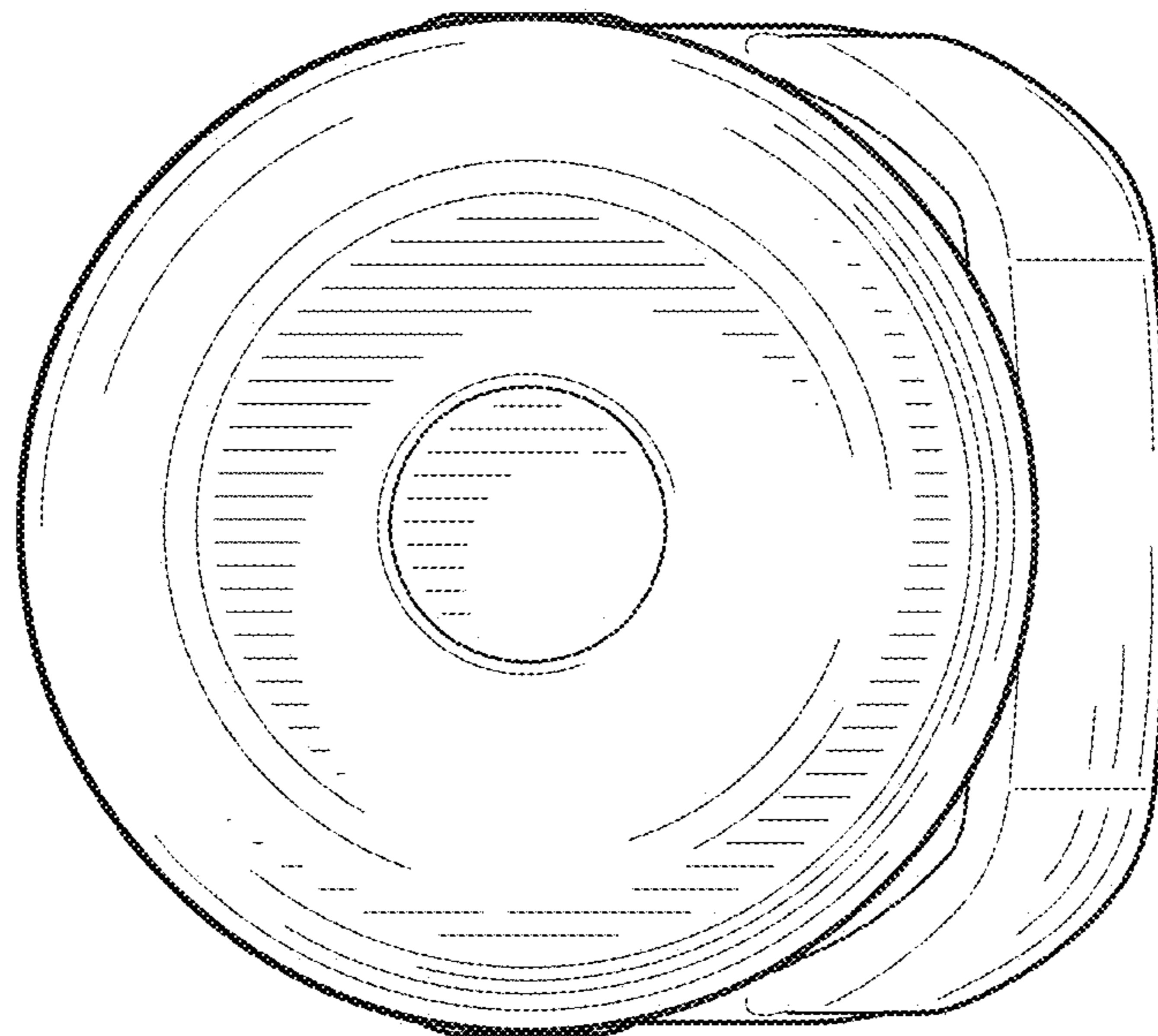


FIG. 16

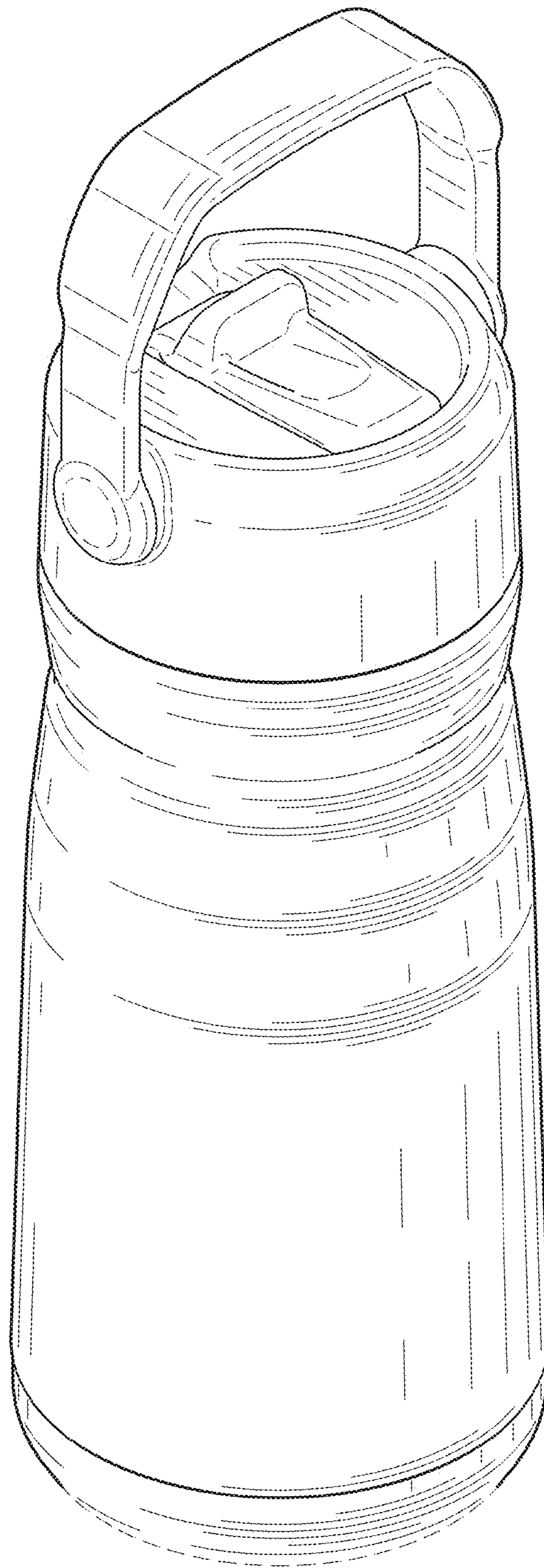


FIG. 17

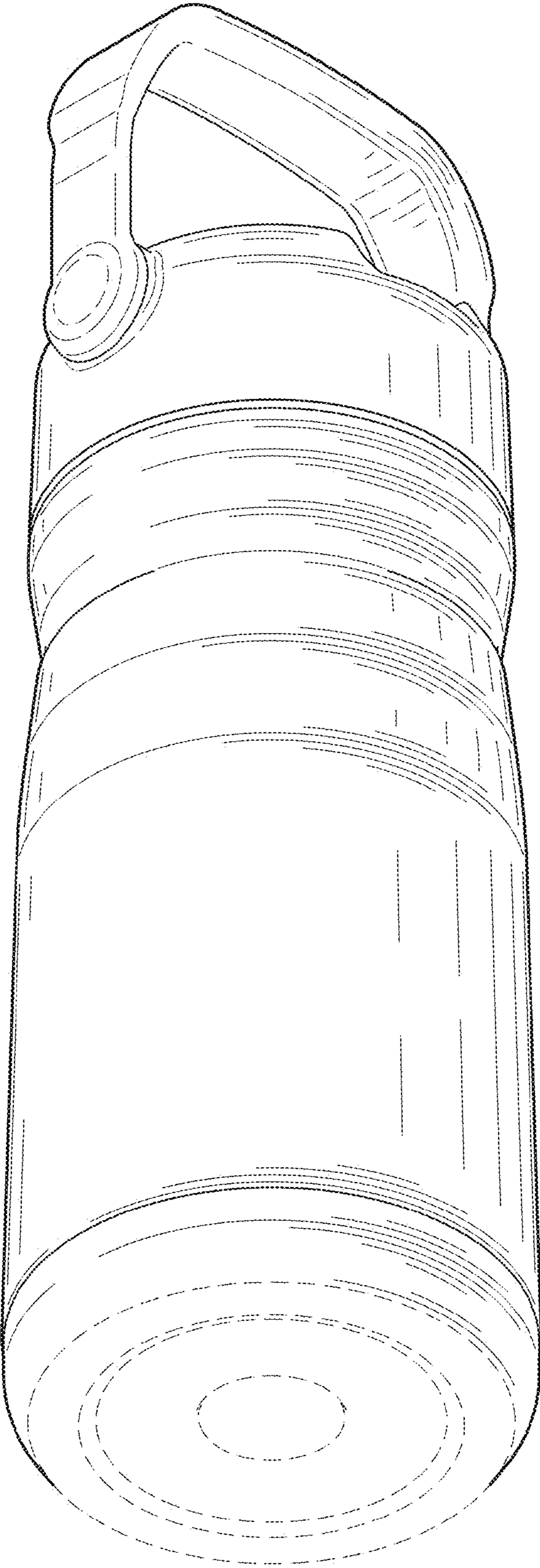


FIG. 18

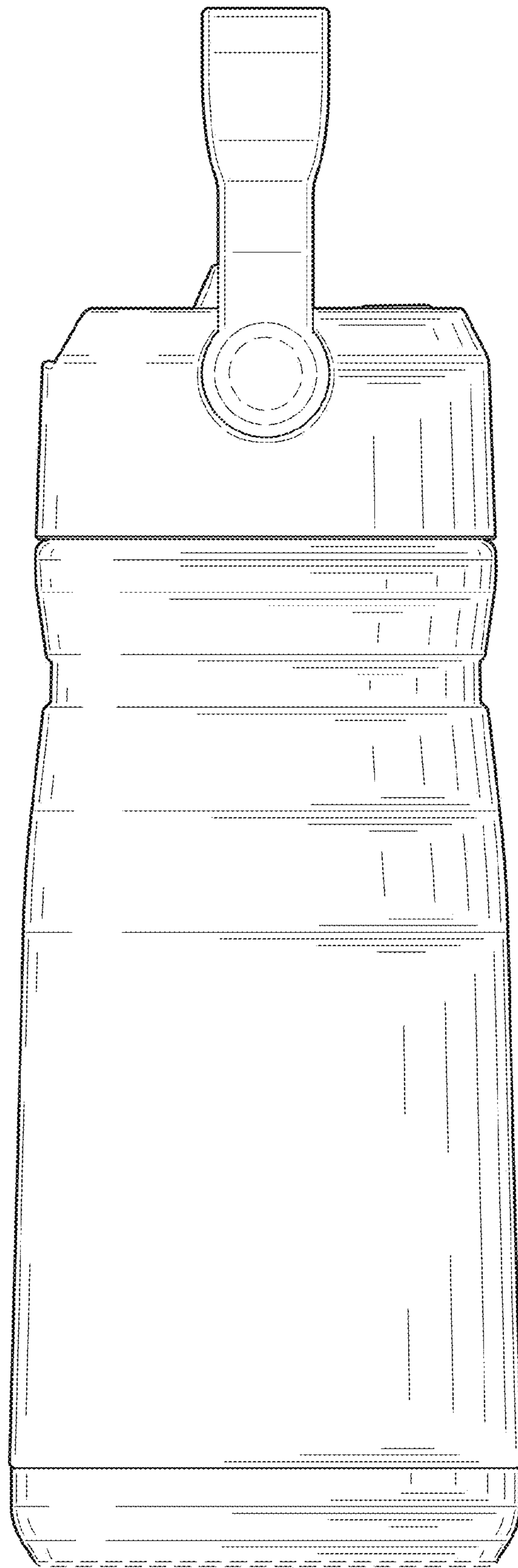


FIG. 19

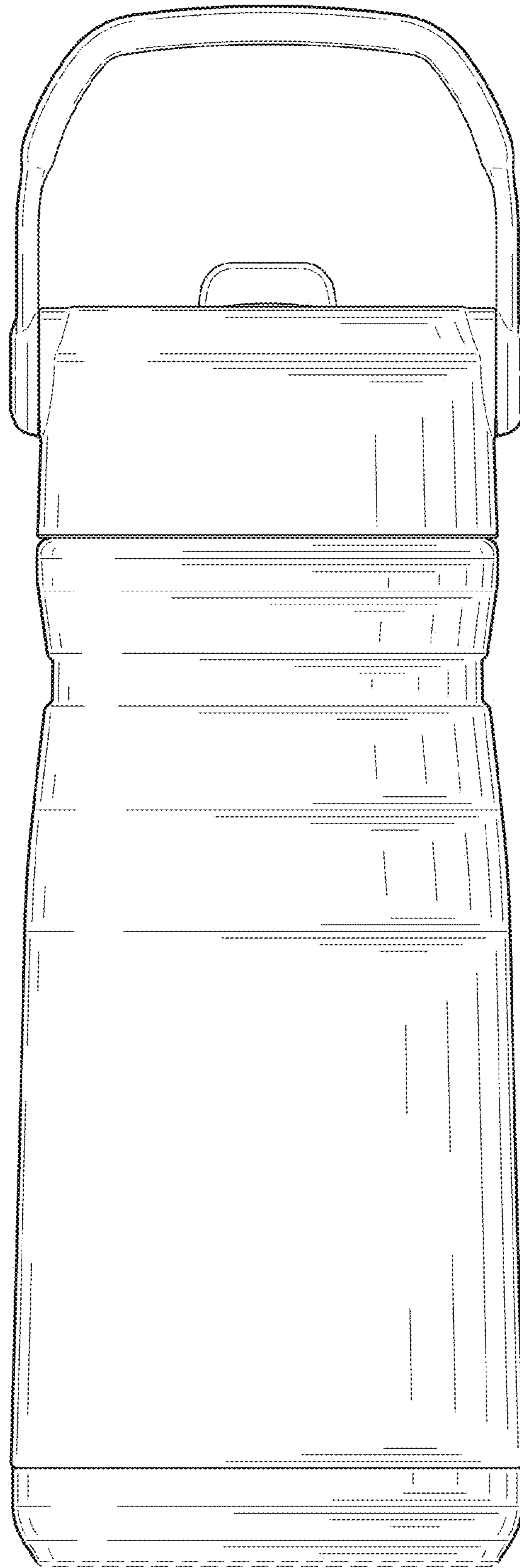


FIG. 20

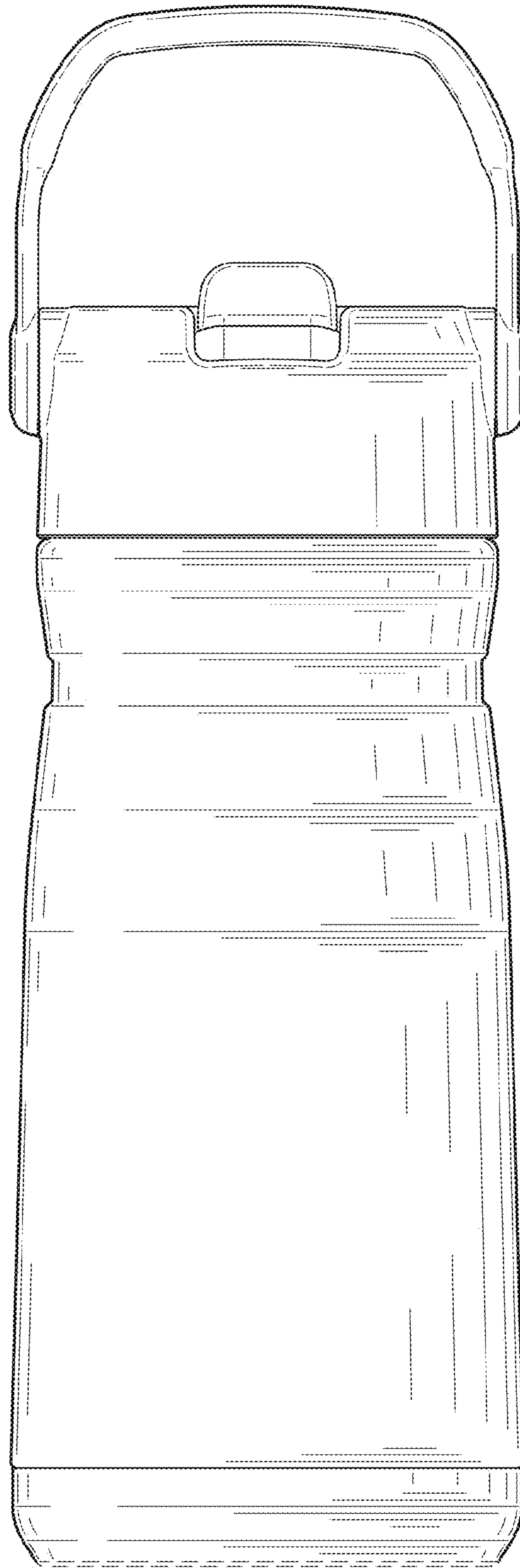


FIG. 21

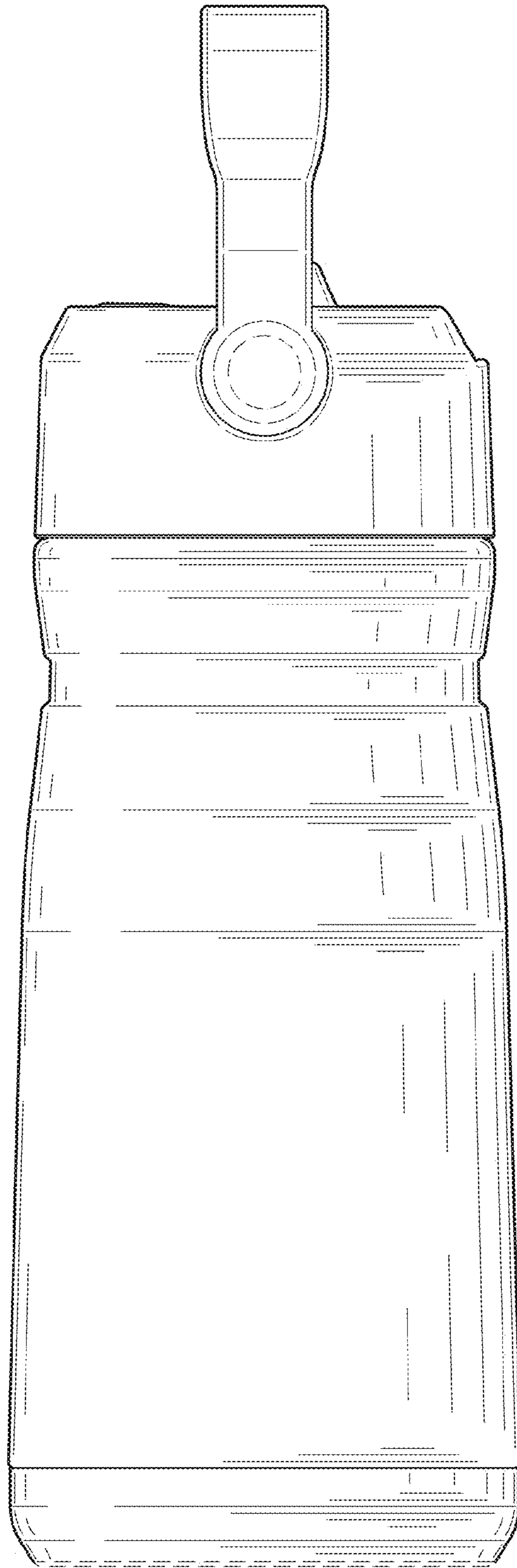


FIG. 22

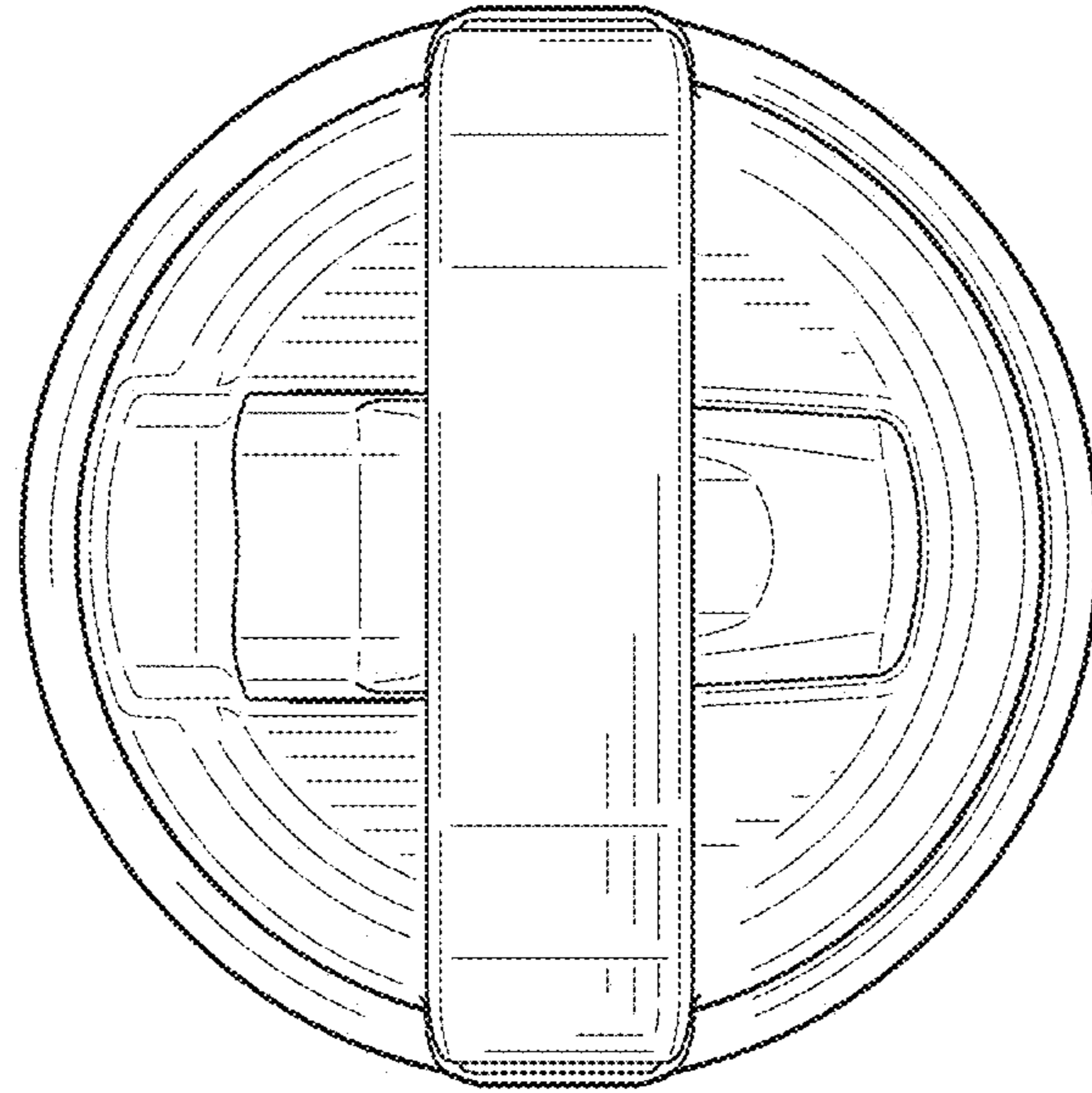


FIG. 23

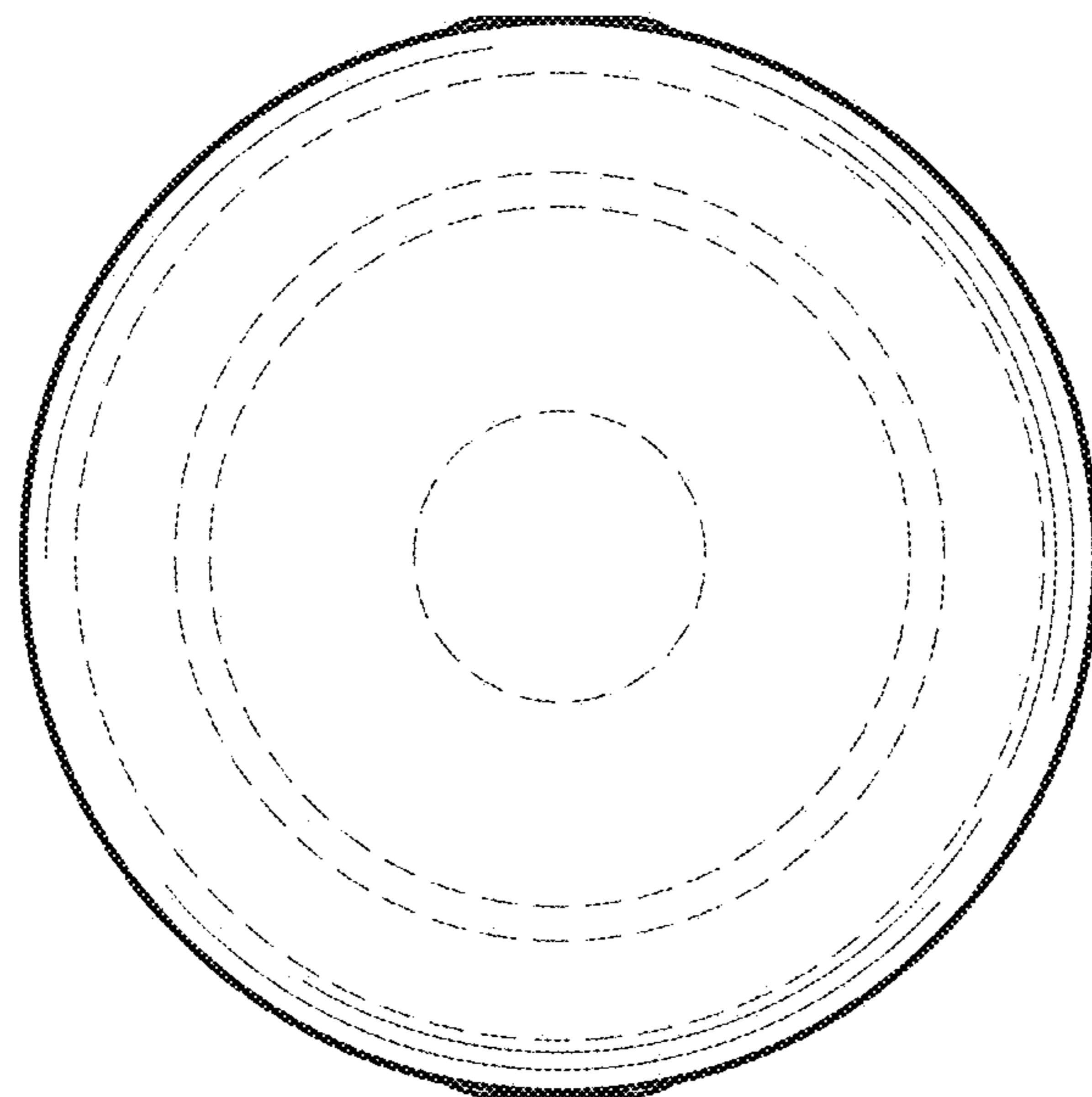


FIG. 24

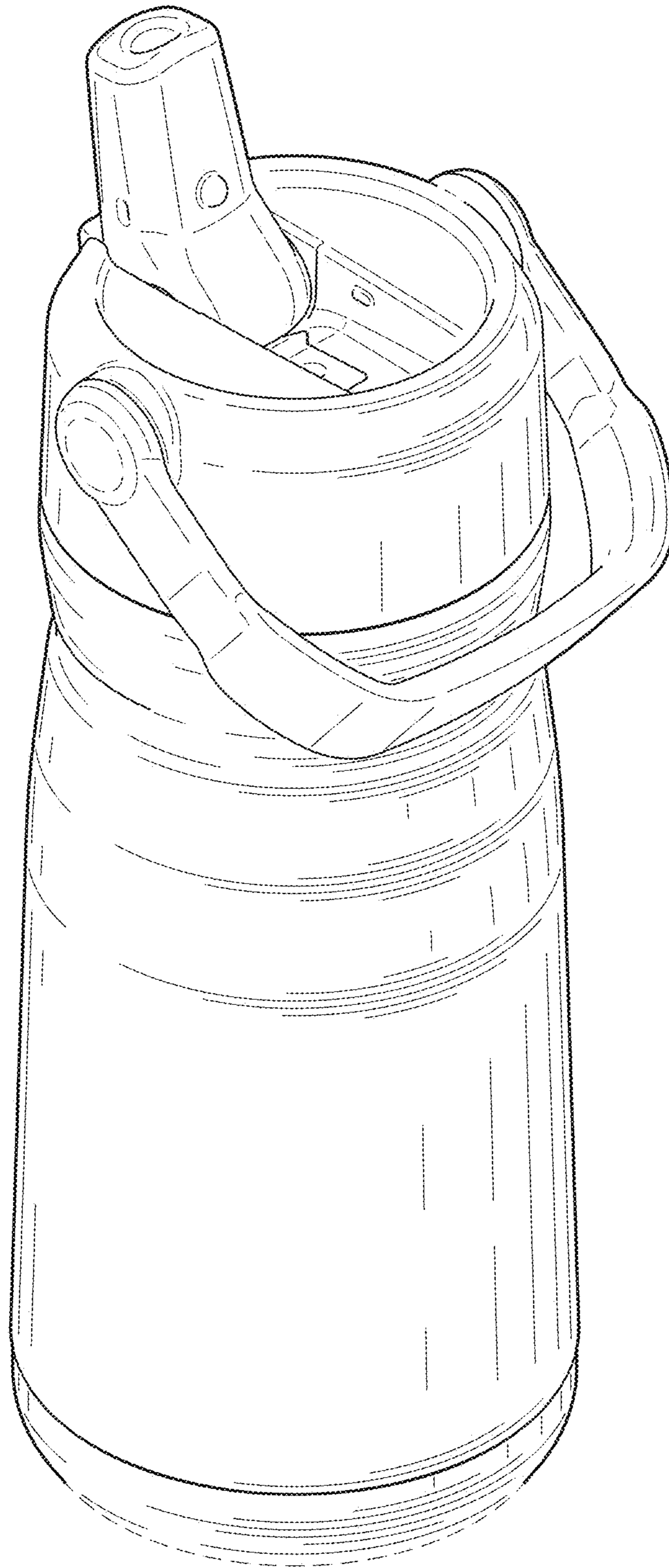


FIG. 25

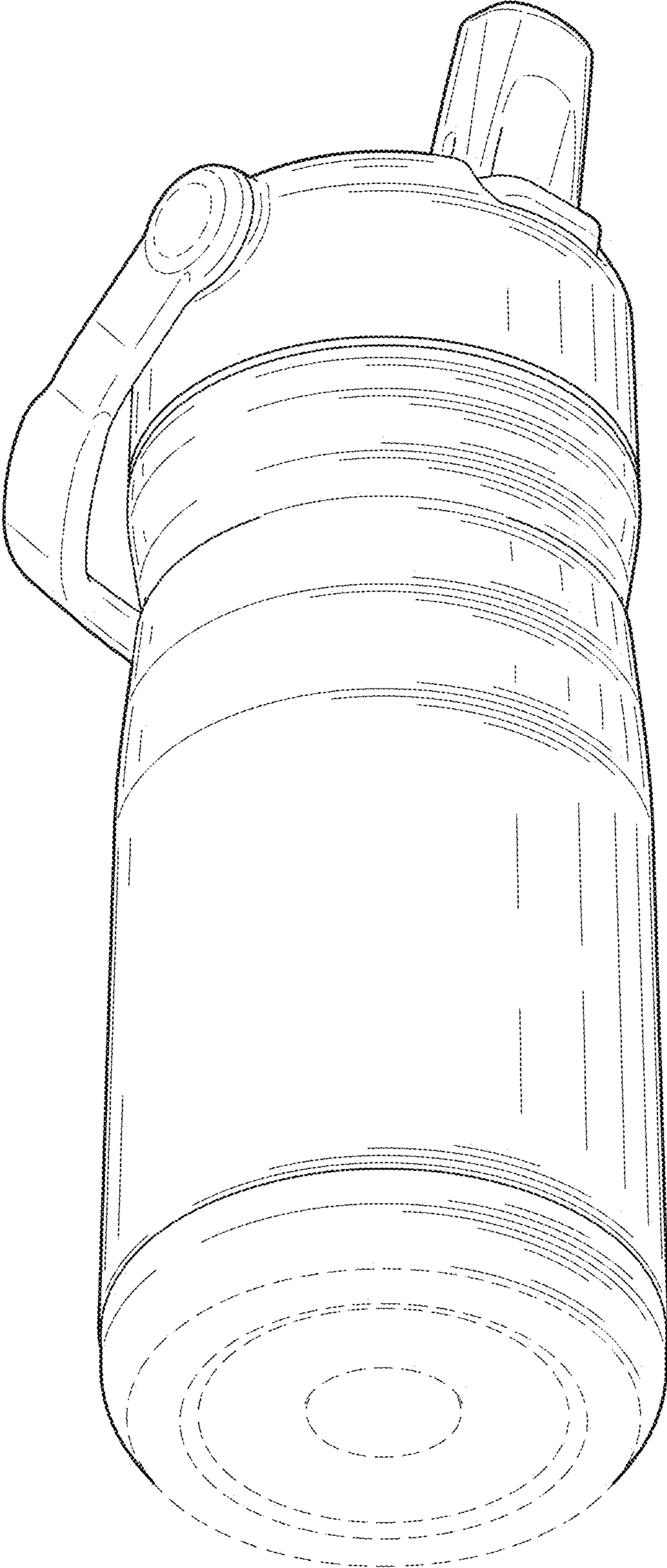


FIG. 26

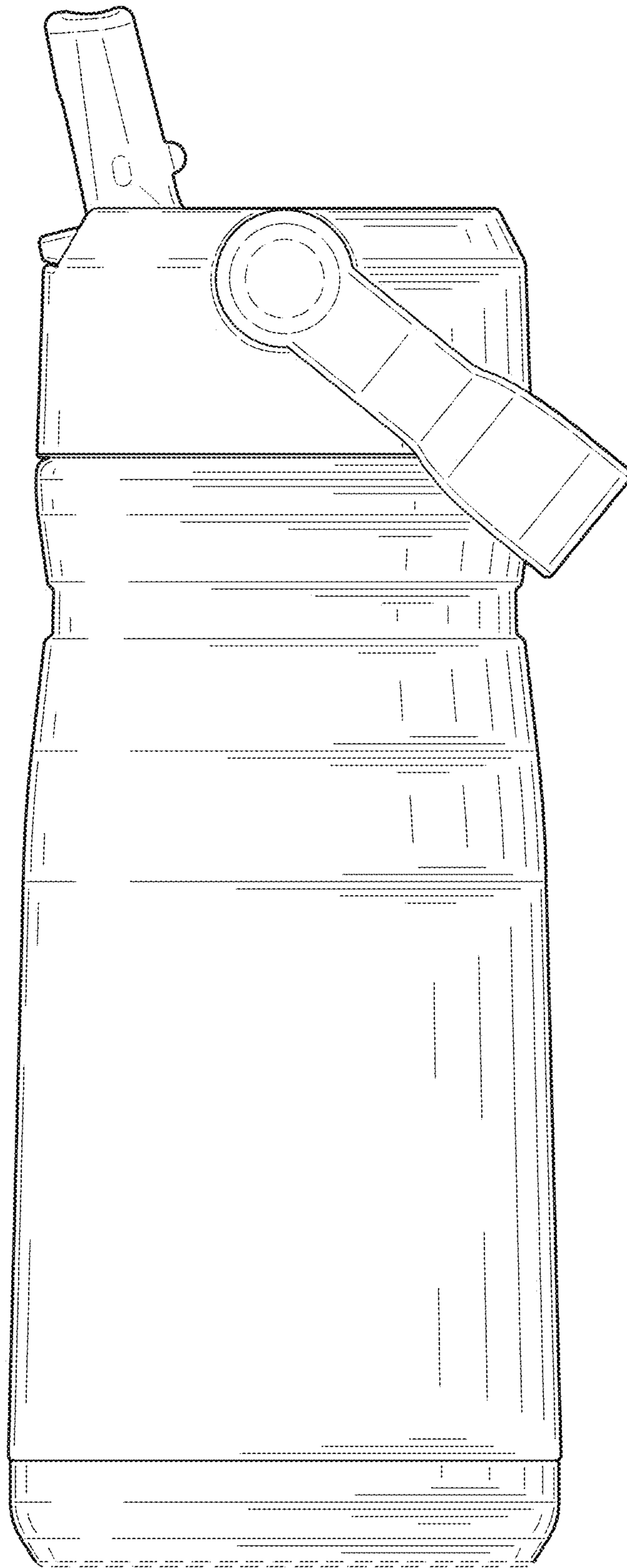


FIG. 27

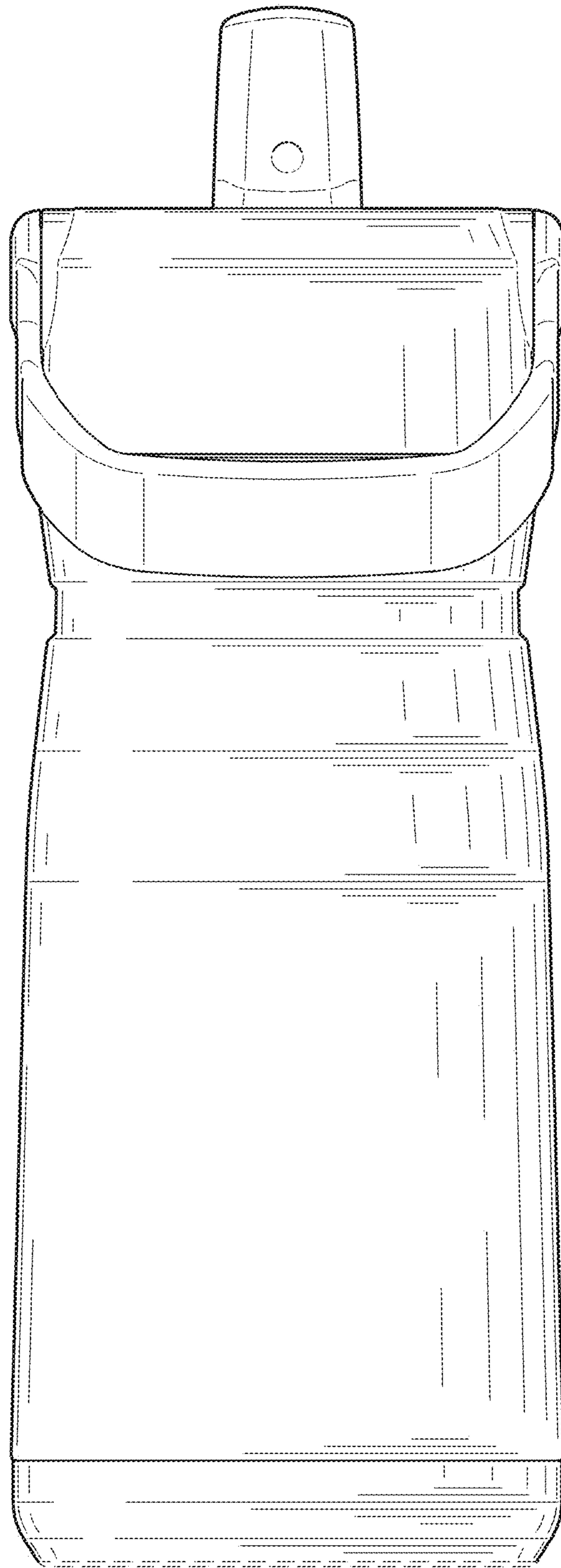


FIG. 28

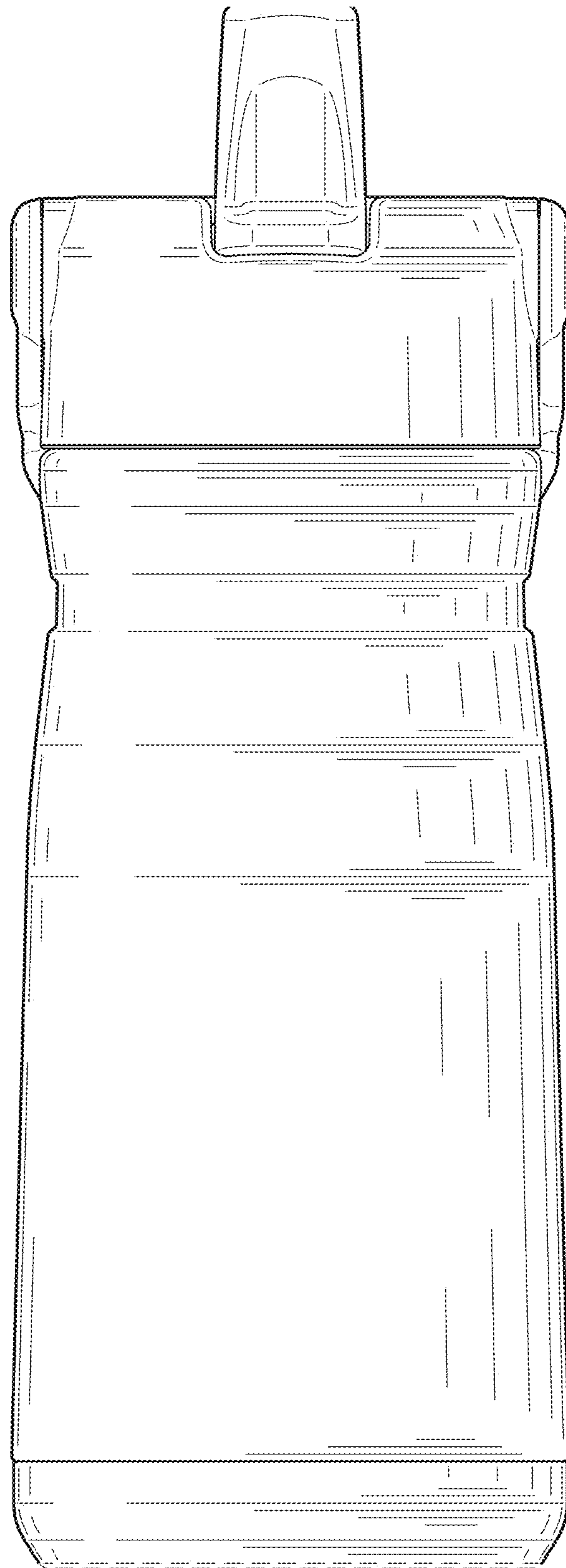


FIG. 29

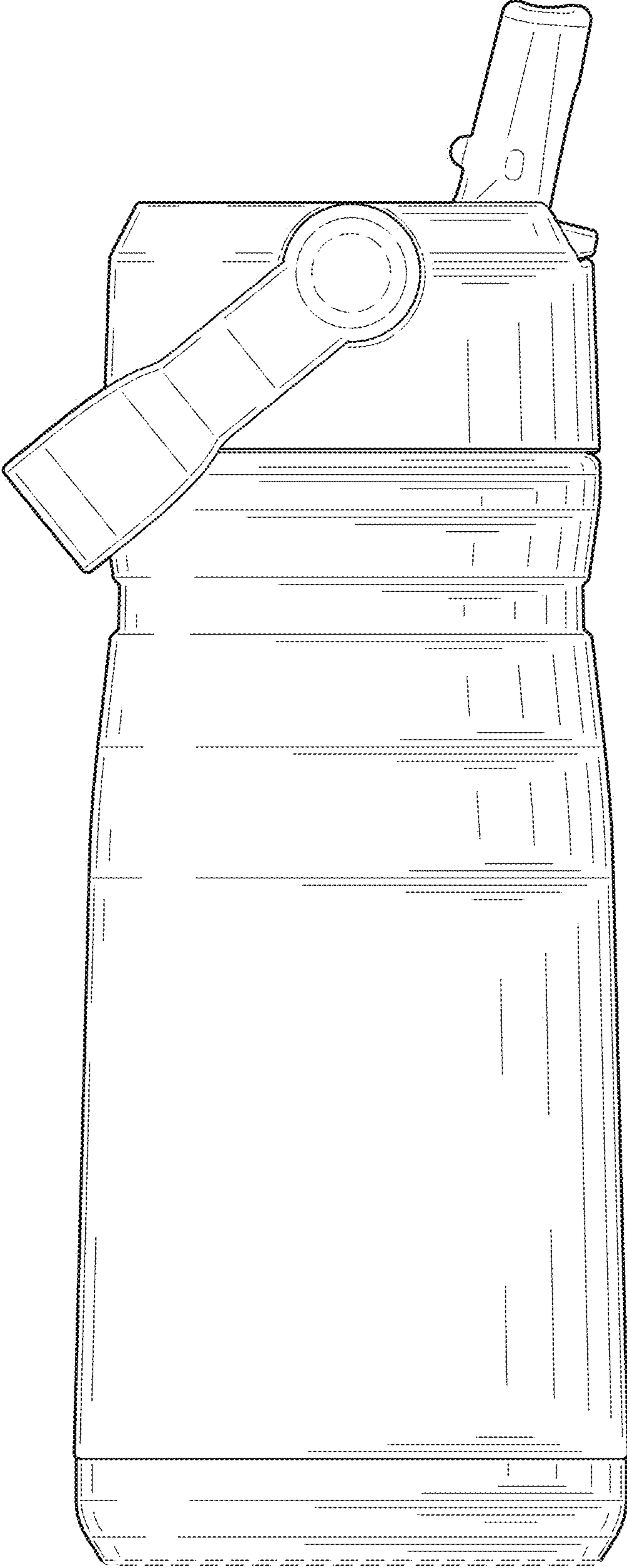


FIG. 30

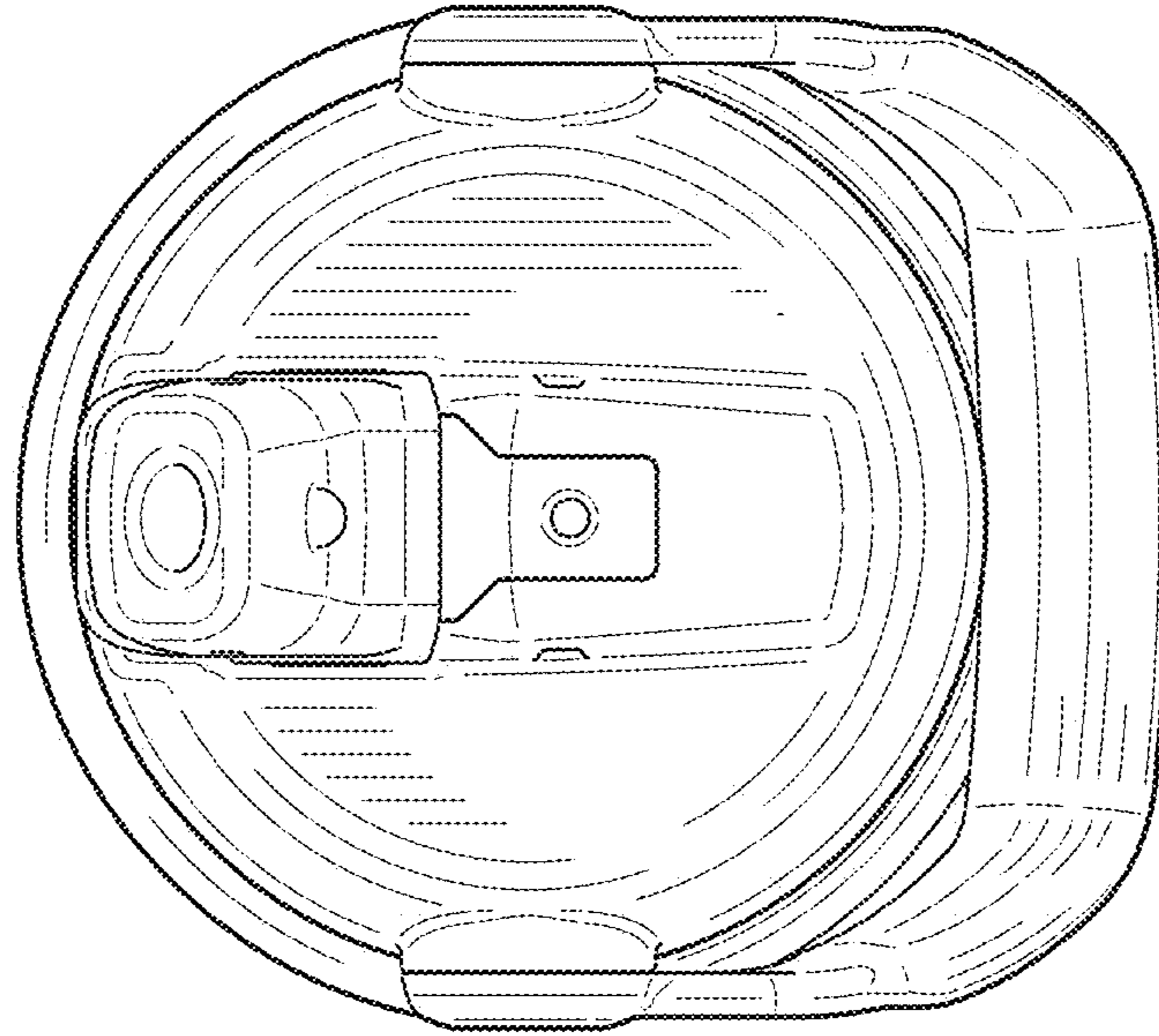


FIG. 31

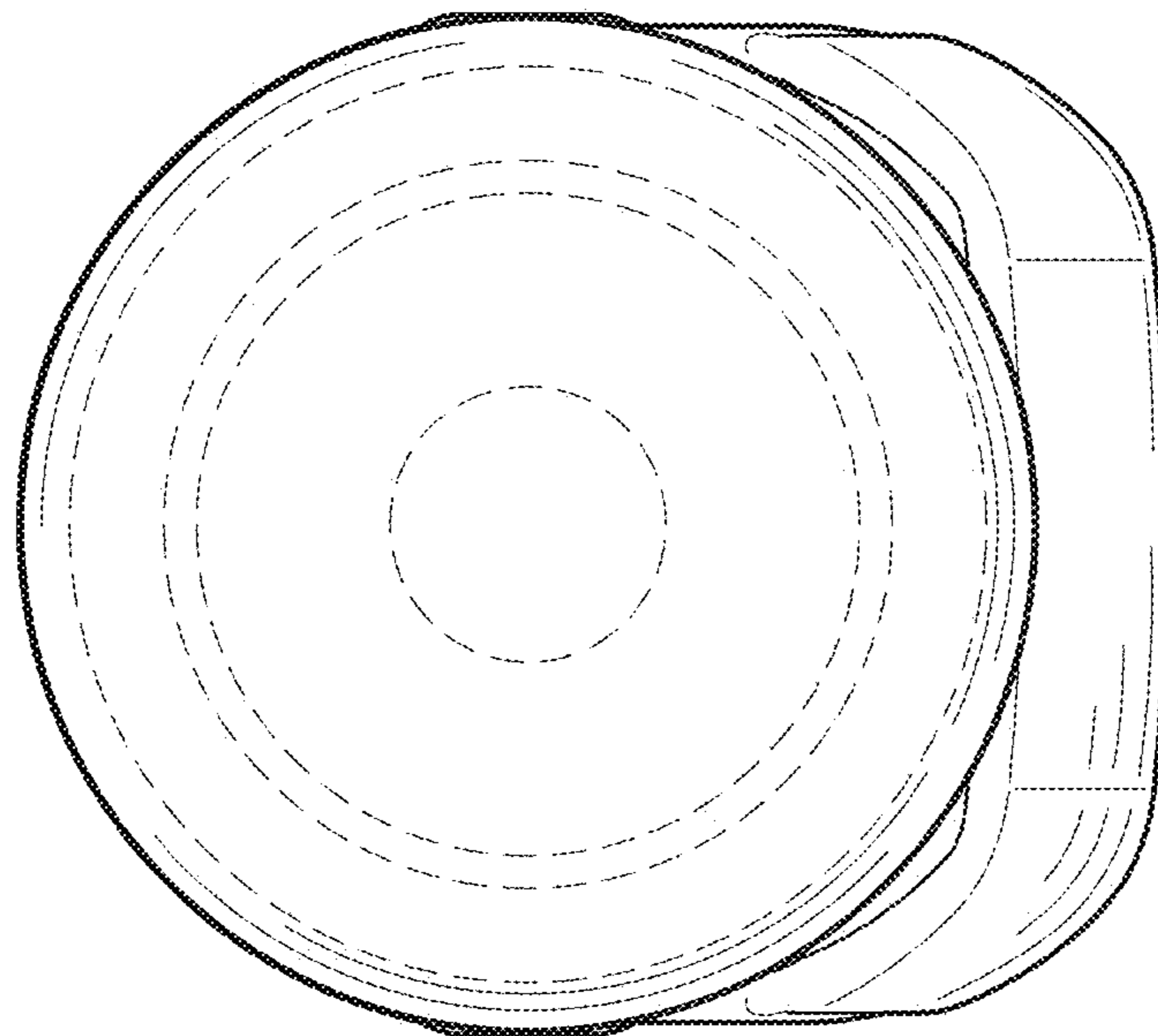


FIG. 32