



US00D929182S

(12) **United States Design Patent** (10) **Patent No.:** **US D929,182 S**  
**McCabe et al.** (45) **Date of Patent:** **\*\* \*Aug. 31, 2021**

(54) **WATER BOTTLE**

FOREIGN PATENT DOCUMENTS

(71) Applicant: **Leapfrog Product Development LLC**,  
Chicago, IL (US)

CA 131525 \* 5/2010  
CA 138914 \* 10/2011  
WO WO-2017000148 A1 \* 1/2017 ..... A47G 19/22

(72) Inventors: **Micaela K. McCabe**, Chicago, IL (US);  
**Steven N. Pinelli**, Ogden Dunes, IN  
(US); **Glen C. Gilmore, III**, Naperville,  
IL (US); **Derek J. Leatzow**, Chicago,  
IL (US); **Brian M. Clemens**,  
Burnsville, MN (US); **Richard E.**  
**Ellison**, Chicago, IL (US); **Kurtis M.**  
**Sward**, Anna Maria, FL (US)

OTHER PUBLICATIONS

TrentRecommends, "Contigo Autospout Stainless Steel Sheffield  
Water Bottle Review," Apr. 17, 2014, YouTube.com, www.youtube.  
com/watch?v=-\_aVdZSszNG4 (Year: 2014).\*

(Continued)

(73) Assignee: **Leapfrog Product Development LLC**,  
Chicago, IL (US)

*Primary Examiner* — Vy N Koenig  
*Assistant Examiner* — Arva P Adams

(74) *Attorney, Agent, or Firm* — Barnes & Thornburg  
LLP

(\*) Notice: This patent is subject to a terminal dis-  
claimer.

(57) **CLAIM**

We claim the ornamental design for a water bottle, as shown  
and described.

(\*\*) Term: **15 Years**

**DESCRIPTION**

(21) Appl. No.: **29/679,066**

FIG. 1 is a top perspective view of the water bottle according  
to the new design.

(22) Filed: **Feb. 1, 2019**

FIG. 2 is a bottom perspective view of the water bottle  
shown in FIG. 1.

(51) **LOC (13) Cl.** ..... **07-01**

FIG. 3 is a rear elevation view of the water bottle shown in  
FIG. 1.

(52) **U.S. Cl.**

USPC ..... **D7/510**

FIG. 4 is a front elevation view of the water bottle shown in  
FIG. 1.

(58) **Field of Classification Search**

USPC ..... D7/300.1, 300.2, 392, 392.1, 507, 510,  
D7/511, 523, 532, 536, 592, 624.2, 679;  
206/37; D9/414, 415, 432, 434, 435,  
D9/443, 445, 448, 449, 452, 454, 500,  
D9/501, 502, 503, 504, 517, 526, 527,

FIG. 5 is a right side elevation view of the water bottle  
shown in FIG. 1.

(Continued)

FIG. 6 is a left side elevation view of the water bottle shown  
in FIG. 1.

(56) **References Cited**

U.S. PATENT DOCUMENTS

D364,810 S 12/1995 Meisner  
D471,455 S 3/2003 Laveault et al.

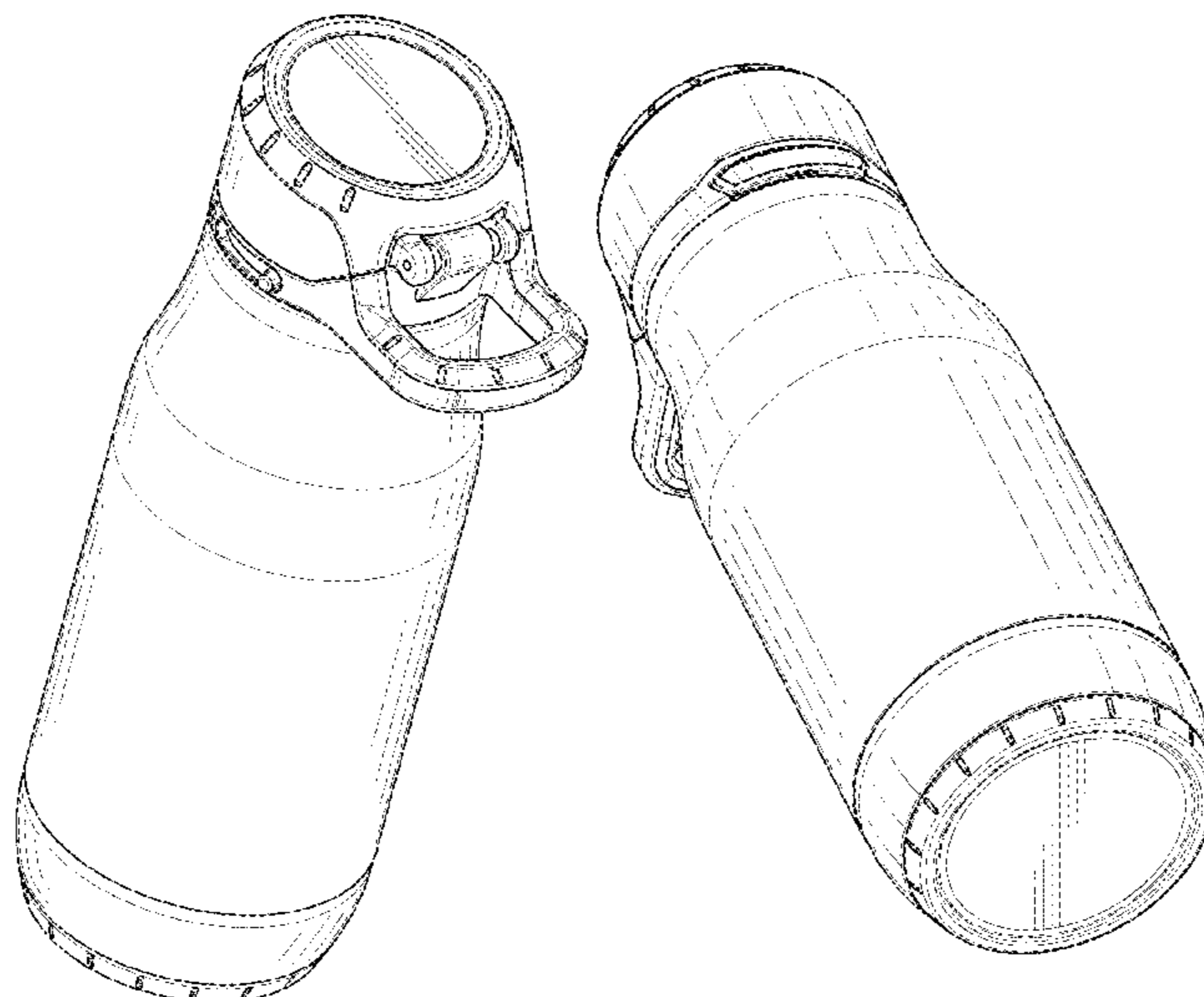
FIG. 7 is a top plan view of the water bottle shown in FIG.  
1; and,

(Continued)

FIG. 8 is a bottom plan view of the water bottle shown in  
FIG. 1.

The broken lines in the drawings illustrate portions of the  
water bottle that form no part of the claimed design.

**1 Claim, 8 Drawing Sheets**



(58) **Field of Classification Search**

USPC ..... D9/529, 530, 541, 553, 591, 608, 683,  
                   D9/688, 754; D24/121; D14/191;  
                   D28/88, 89, 91, 91.1; 220/509, 568, 705,  
                   220/708, 710; D3/202, 203.2, 294, 318  
 CPC ..... A45C 11/00; A45C 11/34; B65D 41/04;  
                   B65D 1/02; B65D 47/265; B65D 51/247;  
                   B65D 77/283; A47G 19/2205; A47G  
                   19/065; A47J 43/27; A45F 5/021; A61J  
                   1/00; A61J 1/1412

See application file for complete search history.

(56) **References Cited**

U.S. PATENT DOCUMENTS

D485,132 S 1/2004 Ohno et al.  
 D505,294 S 5/2005 Gauss  
 D508,185 S 8/2005 Gauss  
 D515,357 S 2/2006 Ward et al.  
 D528,862 S 9/2006 Li  
 D533,061 S 12/2006 Li  
 D564,841 S 3/2008 Clemens et al.  
 D579,722 S 11/2008 Sakulsacha et al.  
 D581,727 S 12/2008 Pinelli et al.  
 D592,456 S 5/2009 Pinelli et al.  
 D592,905 S 5/2009 Pinelli et al.  
 D592,913 S \* 5/2009 Pinelli ..... D7/510  
 7,546,933 B2 6/2009 Pinelli  
 D596,460 S \* 7/2009 Nezu ..... D7/510  
 D609,964 S 2/2010 Lane  
 D629,653 S \* 12/2010 Gullickson ..... D7/510  
 RE42,484 E \* 6/2011 Kitamura ..... D7/510  
 D643,249 S 8/2011 Miller et al.  
 7,997,442 B2 8/2011 Pinelli  
 D646,932 S \* 10/2011 Melms, Jr. .... D7/598  
 D652,256 S \* 1/2012 Eyal ..... D7/510  
 D655,580 S 3/2012 Kotani  
 D656,787 S 4/2012 Phillips et al.  
 D658,445 S \* 5/2012 Carreno ..... D7/510  
 D660,704 S \* 5/2012 Simmons ..... D9/504  
 D661,945 S 6/2012 Eyal  
 D675,060 S 1/2013 Lane  
 8,360,267 B1 1/2013 Chiou et al.  
 D682,034 S \* 5/2013 El-Saden ..... D7/510  
 D686,871 S \* 7/2013 Lane ..... D7/392.1  
 D690,557 S \* 10/2013 Carreno ..... D7/510  
 D693,629 S 11/2013 Miller  
 D693,630 S 11/2013 Hurley et al.  
 8,579,133 B2 11/2013 Marcus et al.  
 8,590,731 B2 11/2013 Pinelli  
 D700,012 S 2/2014 Hurley et al.  
 D700,802 S \* 3/2014 Miller ..... D7/392.1  
 D700,808 S \* 3/2014 Eyal ..... D7/510  
 8,978,906 B2 3/2015 Feeley et al.  
 D725,966 S 4/2015 Boroski et al.  
 D739,183 S 9/2015 Lane  
 9,266,643 B2 2/2016 Marcus et al.  
 D758,189 S 6/2016 Roth et al.  
 D758,790 S 6/2016 Boroski  
 D774,358 S \* 12/2016 Joseph ..... D7/523  
 D778,117 S \* 2/2017 Du ..... D7/608  
 D780,578 S 3/2017 Lane et al.  
 D781,104 S \* 3/2017 Cerasani ..... D7/510  
 D785,402 S 5/2017 Shirley et al.  
 D787,886 S \* 5/2017 Cerasani ..... D7/510  
 D792,216 S \* 7/2017 Breit ..... D9/443  
 D793,804 S 8/2017 Herbst et al.  
 D794,453 S \* 8/2017 Boroski ..... D9/449  
 D795,011 S \* 8/2017 Pisarevsky ..... D7/510  
 D795,648 S \* 8/2017 Lapsker ..... D7/523  
 D799,898 S 10/2017 Yao  
 D800,556 S \* 10/2017 McGreevy ..... D9/448  
 D802,366 S \* 11/2017 Cerasani ..... D7/510  
 D802,993 S 11/2017 Joseph et al.  
 D804,903 S \* 12/2017 Mason ..... D7/510  
 D804,904 S 12/2017 Noveletsky et al.

D808,220 S 1/2018 Burns et al.  
 D808,711 S \* 1/2018 Joseph ..... D7/392.1  
 D809,384 S 2/2018 Best et al.  
 D811,810 S \* 3/2018 Joseph ..... D7/392.1  
 D812,428 S \* 3/2018 Wu ..... D7/510  
 D814,398 S 4/2018 Yasunaga  
 D816,426 S \* 5/2018 Washburn ..... D7/608  
 D817,713 S 5/2018 Lin  
 D818,317 S \* 5/2018 Fu ..... D7/510  
 D818,767 S 5/2018 Nezu  
 D818,768 S \* 5/2018 Joseph ..... D7/396.2  
 D818,774 S \* 5/2018 Stover ..... D7/510  
 D821,136 S 6/2018 Silsby et al.  
 D821,137 S 6/2018 Boroski  
 D821,815 S 7/2018 Chung  
 D822,427 S 7/2018 Sorensen et al.  
 D823,033 S \* 7/2018 Cailleton ..... D7/300  
 D831,425 S 10/2018 Best et al.  
 D831,433 S 10/2018 Fleischhut  
 D831,434 S \* 10/2018 Washburn ..... D7/608  
 D835,939 S 12/2018 Yee et al.  
 D838,549 S \* 1/2019 Gu ..... D7/510  
 D839,044 S \* 1/2019 Potter ..... D7/392  
 D848,787 S 5/2019 Tatsukawa et al.  
 D853,181 S 7/2019 Stanton  
 D853,784 S 7/2019 Wu  
 D865,457 S 11/2019 Kotani  
 D869,230 S 12/2019 Hao  
 D870,509 S 12/2019 Bo  
 2011/0089059 A1 4/2011 Lane et al.  
 2012/0312832 A1 12/2012 Lane  
 2014/0339177 A1 11/2014 Lane  
 2015/0282654 A1 10/2015 Kurabe et al.  
 2017/0253394 A1 \* 9/2017 Fogarty ..... A45F 3/16  
 2017/0297785 A1 10/2017 Maruyama et al.

OTHER PUBLICATIONS

Bubba Brands, “bubba Flo Duo Dual-Wall Insulated Water Bottle,” Mar. 26, 2016, Amazon.com, [www.amazon.com/dp/B01DGMBL0Q](http://www.amazon.com/dp/B01DGMBL0Q) (Year: 2016).\*

Simple Modern, “Simple Modern 22 Ounce Summit Water Bottle,” Oct. 16, 2016, Amazon.com, [www.amazon.com/dp/B01K2SDE98](http://www.amazon.com/dp/B01K2SDE98) (Year: 2016).\*

Zulu, “ZULU Studio Glass Water Bottle with Silicone Sleeve,” Aug. 23, 2017, Amazon.com, [www.amazon.com/ZULU-Studio-Bottle-Silicone-Sleeve/dp/B0752QCNM3](http://www.amazon.com/ZULU-Studio-Bottle-Silicone-Sleeve/dp/B0752QCNM3) (Year: 2017).\*

Creative Crafts by Nikki, “My new water bottle,” Jan. 15, 2017, Facebook.com, [www.facebook.com/lakeroadcreations/photos/a.418289011702073/575151912682448](http://www.facebook.com/lakeroadcreations/photos/a.418289011702073/575151912682448) (Year: 2017).\*

Zulu, “ZULU Ace Edelstahl Flasche mit Herausnehmbarem Boden,” Jul. 8, 2018, Amazon.de, [www.amazon.de/dp/B07DHX11RW](http://www.amazon.de/dp/B07DHX11RW) (Year: 2018).\*

Kinderposh Ph, “Disney Store Water Bottle,” Jul. 2, 2018, Facebook.com, [www.facebook.com/kinderposh.ph/photos/a.84529665652304/902894086559227](http://www.facebook.com/kinderposh.ph/photos/a.84529665652304/902894086559227) (Year: 2018).\*

Capture, “Capture Action Water Bottle Flip Top with Handle,” Jan. 30, 2019, Amazon.com, [www.amazon.com/dp/B07N8LFDKG](http://www.amazon.com/dp/B07N8LFDKG) (Year: 2019).\*

Hoople, “3 Shaker Bottle Protein Mixing Cup,” Jan. 8, 2019, Amazon.com, [www.amazon.com/dp/B07RWKTLK7](http://www.amazon.com/dp/B07RWKTLK7) (Year: 2019).\*

Zulu, “ZULU Chase 14oz Stainless Steel Kids Water Bottle,” Feb. 26, 2019, Amazon.com, [www.amazon.com/dp/B07PP9DGKN](http://www.amazon.com/dp/B07PP9DGKN) (Year: 2019).\*

Zulu, “ZULU Tag 18oz Tritan Kids Water Bottle,” Feb. 20, 2019, Amazon.com, [www.amazon.com/dp/B07PM93LR4](http://www.amazon.com/dp/B07PM93LR4) (Year: 2019).\*

Ello, “Ello Riley Bouteille,” Jan. 23, 2019, Amazon.ca, [www.amazon.ca/dp/B07JGCVBZ6](http://www.amazon.ca/dp/B07JGCVBZ6) (Year: 2019).\*

Zulu, “Atlas20 oz Glass Water Bottle,” accessed on-line at: <https://www.zuluathletic.com/shop-all/atlas-glass-water-bottle> (available at least as early as Feb. 1, 2019).

Kor, “Vida Bottle—25oz,” accessed on-line at: <https://waterbottles.com/kor-vida-bottle-25-oz> (available at least as early as Feb. 1, 2019).

(56)

**References Cited**

## OTHER PUBLICATIONS

Thermos, "Hydration Bottle with Rotating Intake Meter, 24oz," accessed on-line at: <https://www.thermos.com/genuine-thermos-brand-hydration-bottle-with-rotating-intake-meter-24oz.html> (available at least as early as Feb. 1, 2019).

Thermos, "Shaker Bottle with Integrated Mixer, 24oz," accessed on-line at: <https://www.thermos.com/genuine-thermos-brand-shaker-bottle-with-integrated-mixer-24oz-clear-green-accent.html> (available at least as early as Feb. 1, 2019).

Tervis, "Custom Water Bottle," accessed on-line at: <https://www.tervis.com/turtle-sunset-stainless-steel-24oz-stainless-water-bottle-1362572.html> (available at least as early as Feb. 1, 2019).

Swell, "Bottles," accessed on-line at: <https://www.swell.com/shop/swell/bottles/> (available at least as early as Feb. 1, 2019).

Tritan, "32 oz Soft Straw Plastic Water Bottle," accessed on-line at: <http://www.pogogear.com/32oz-tritan-straw> (available at least as early as Feb. 1, 2019).

Tritan, "32oz Chug Plastic Water Bottle," accessed on-line at: <http://www.pogogear.com/32oz-tritan-chug> (available at least as early as Feb. 1, 2019).

Tritan, "18oz Chug Plastic Water Bottle," accessed on-line at: <http://www.pogogear.com/18oz-tritan-chug> (available at least as early as Feb. 1, 2019).

Ello, "chi 24oz BPA-Free Tritan Plastic Water Bottle," accessed on-line at: <https://www.elloproducts.com/water-bottles/chi-24oz-plastic-water-bottle> (available at least as early as Feb. 1, 2019).

Ello, "Dash 16oz 2pk Tritan Plastic Water Bottles," accessed on-line at: <https://www.elloproducts.com/kids/dash-16oz-tritan-plastic-water-bottle> (available at least as early as Feb. 1, 2019).

Ello, "Cru Stemless Wine glass Set with Silicone Protection," accessed on-line at: <https://www.elloproducts.com/tumblers/cru-stemless-wine-glass-set-with-silicone-protection> (available at least as early as Feb. 1, 2019).

Ello, "Elsie 22oz Glass Water Bottle," accessed on-line at: <https://www.elloproducts.com/water-bottles/elsie-22oz-glass-water-bottle> (available at least as early as Feb. 1, 2019).

Ello, "Beacon 24oz Vacuum Insulated Stainless Tumbler," accessed on-line at: <https://www.elloproducts.com/tumblers/beacon-24oz-vacuum-insulated-stainless-tumbler> (available at least as early as Feb. 1, 2019).

Ello, "Rise 12oz Vacuum Insulated Stainless Steel Tumbler with Optional Straw," accessed on-line at: <https://www.elloproducts.com/kids/rise-12oz-vacuum-insulated-stainless-steel-tumbler> (available at least as early as Feb. 1, 2019).

Ello, "Hammertime 18oz Stainless Steel Travel Mug," accessed on-line at: <https://www.elloproducts.com/travel-mugs/hammertime-18oz-vacuum-insulated-stainless-steel-travel-mug> (available at least as early as Feb. 1, 2019).

Ello, "Pure 20oz Glass Water Bottle," accessed on-line at: <https://www.elloproducts.com/water-bottles/pure-20oz-glass-water-bottle> (available at least as early as Feb. 1, 2019).

Ello, "Max 12oz Vacuum-Insulated Stainless Steel Kids Water Bottle," accessed on-line at: <https://www.elloproducts.com/kids/max-12oz-vacuum-insulated-stainless-steel-kids-water-bottle> (available at least as early as Feb. 1, 2019).

Ello, "Syndicate 20oz Glass Water Bottle," accessed on-line at: <https://www.elloproducts.com/water-bottles/syndicate-20oz-glass-water-bottle> (available at least as early as Feb. 1, 2019).

Camelbak, "Eddy+ 1L Bottle," accessed on-line at: [https://www.camelbak.com/en/bottles/R02056--Eddy\\_75L\\_2019?color=6bbd0584f3a64b0eb30d406f7e03797e](https://www.camelbak.com/en/bottles/R02056--Eddy_75L_2019?color=6bbd0584f3a64b0eb30d406f7e03797e) (available at least as early as Feb. 1, 2019).

Contigo, "Autoseal West Loop 2.0 Stainless," accessed on-line at: <https://www.gocontigo.com/20-oz-autoseal-west-loop-stainless-travel-mug-with-easy-clean-lid.html> (available at least as early as Feb. 1, 2019).

Contigo, "Autospout Straw Striker Chill," accessed on-line at: <https://www.gocontigo.com/14-oz-autospout-striker-kids-water-bottle.html> (available at least as early as Feb. 1, 2019).

Zojirushi, "Travel Mug SM-YAE48," accessed on-line at: <https://www.zojirushi.com/app/product/smyae> (available at least as early as Feb. 1, 2019).

Zojirushi, "Stainless Mug SM-KC3648," accessed on-line at: <https://www.zojirushi.com/app/product/smkc> (available at least as early as Feb. 1, 2019).

Zojirushi, "Stainless Bottle SJ-JS10," accessed on-line at: <https://www.zojirushi.com/app/product/sjjs> (available at least as early as Feb. 1, 2019).

Zojirushi, "Flip-and-Go Stainless Mug SM-QHE48/60," accessed on-line at: <https://www.zojirushi.com/app/product/smqhe> (available at least as early as Feb. 1, 2019).

Zojirushi, "Stainless Mug SM-TAE48SA, Ichimatsu Collection," accessed on-line at: <https://www.zojirushi.com/app/product/smtae> (available at least as early as Feb. 1, 2019).

Zojirushi, "Stainless Mug SM-TA36/48/60," accessed on-line at: <https://www.zojirushi.com/app/product/smta> (available at least as early as Feb. 1, 2019).

Zojirushi, "Stainless Mug SM-SE36/48/60," accessed on-line at: <https://www.zojirushi.com/app/product/smse> (available at least as early as Feb. 1, 2019).

Zojirushi, "Stainless Mug SM-SD36/48/60," accessed on-line at: <https://www.zojirushi.com/app/product/smsd> (available at least as early as Feb. 1, 2019).

Zojirushi, "Stainless Mug SM-SHE48/60," accessed on-line at: <https://www.zojirushi.com/app/product/smshe> (available at least as early as Feb. 1, 2019).

Zojirushi, "Stainless Mug SM-KHE36/48," accessed on-line at: <https://www.zojirushi.com/app/product/smkhe> (available at least as early as Feb. 1, 2019).

Zojirushi, "Stainless Mug SM-SC36/48/60" accessed on-line at: <https://www.zojirushi.com/app/product/smsc> (available at least as early as Feb. 1, 2019).

Zojirushi, "Stainless Mug SM-KC36/48," accessed on-line at: <https://www.zojirushi.com/app/product/smkc> (available at least as early as Feb. 1, 2019).

Zojirushi, "Stainless Mug SM-PC20/30," accessed on-line at: <https://www.zojirushi.com/app/product/smpc> (available at least as early as Feb. 1, 2019).

Zojirushi, "Stainless Mug SM-PB30/34," accessed on-line at: <https://www.zojirushi.com/app/product/smpb> (available at least as early as Feb. 1, 2019).

Migo, "Enjoy Sport Water Bottle," accessed on-line at: <https://www.pinterest.ru/pin/12666442685646757/> (available at least as early as Feb. 1, 2019).

Coleman, "Switch SS," accessed on-line at: [https://www.coleman.com/all-camp-kitchen/drinkware/switch-ss/col\\_2038485\\_pr/COL\\_2038485](https://www.coleman.com/all-camp-kitchen/drinkware/switch-ss/col_2038485_pr/COL_2038485) (available at least as early as Feb. 1, 2019).

Corkcicle, "Classic Arctican," accessed on-line at: <https://corkcicle.com/products/classic-arctican?variant=475182759951> (available at least as early as Feb. 1, 2019).

\* cited by examiner

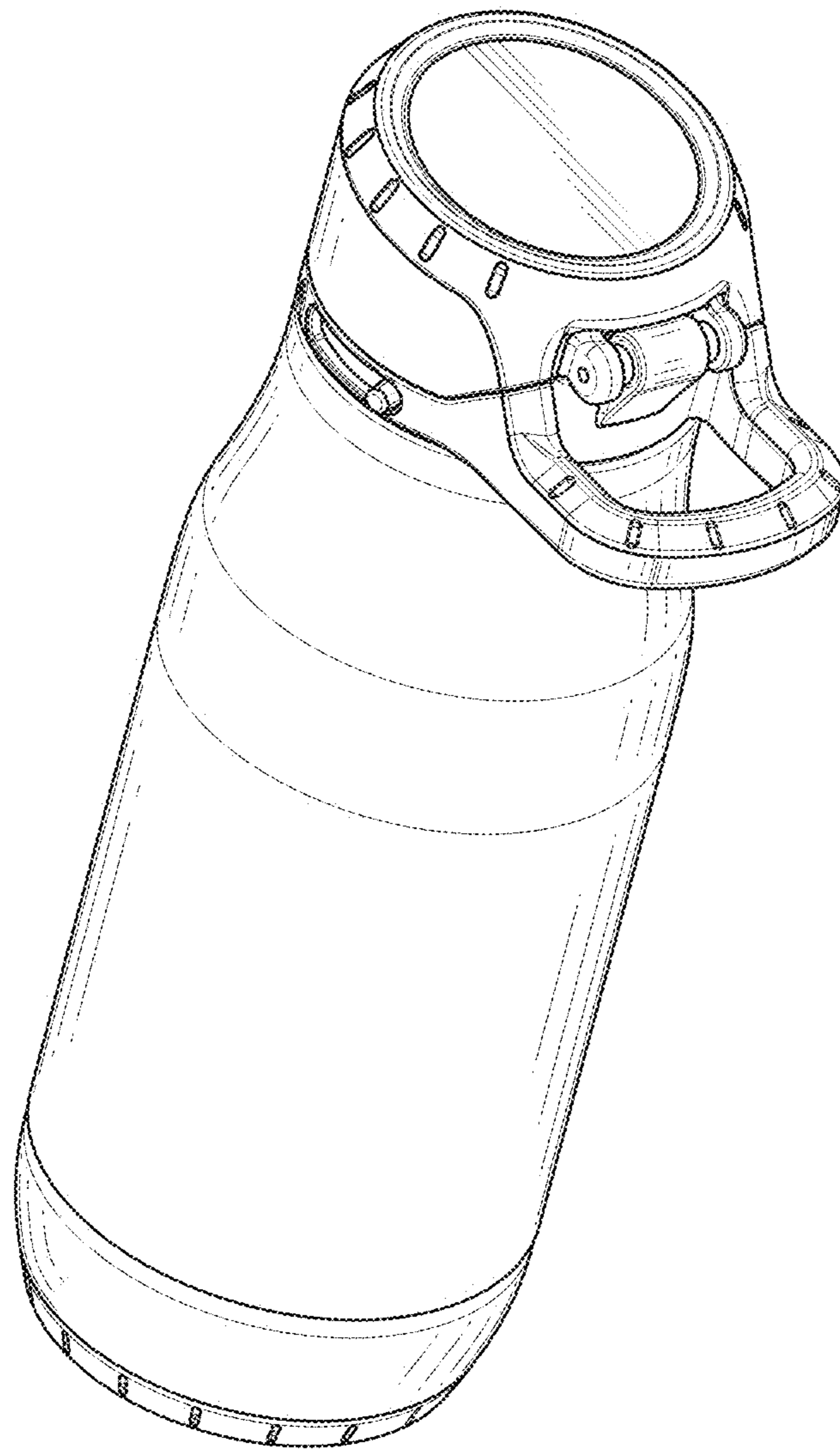


FIG. 1

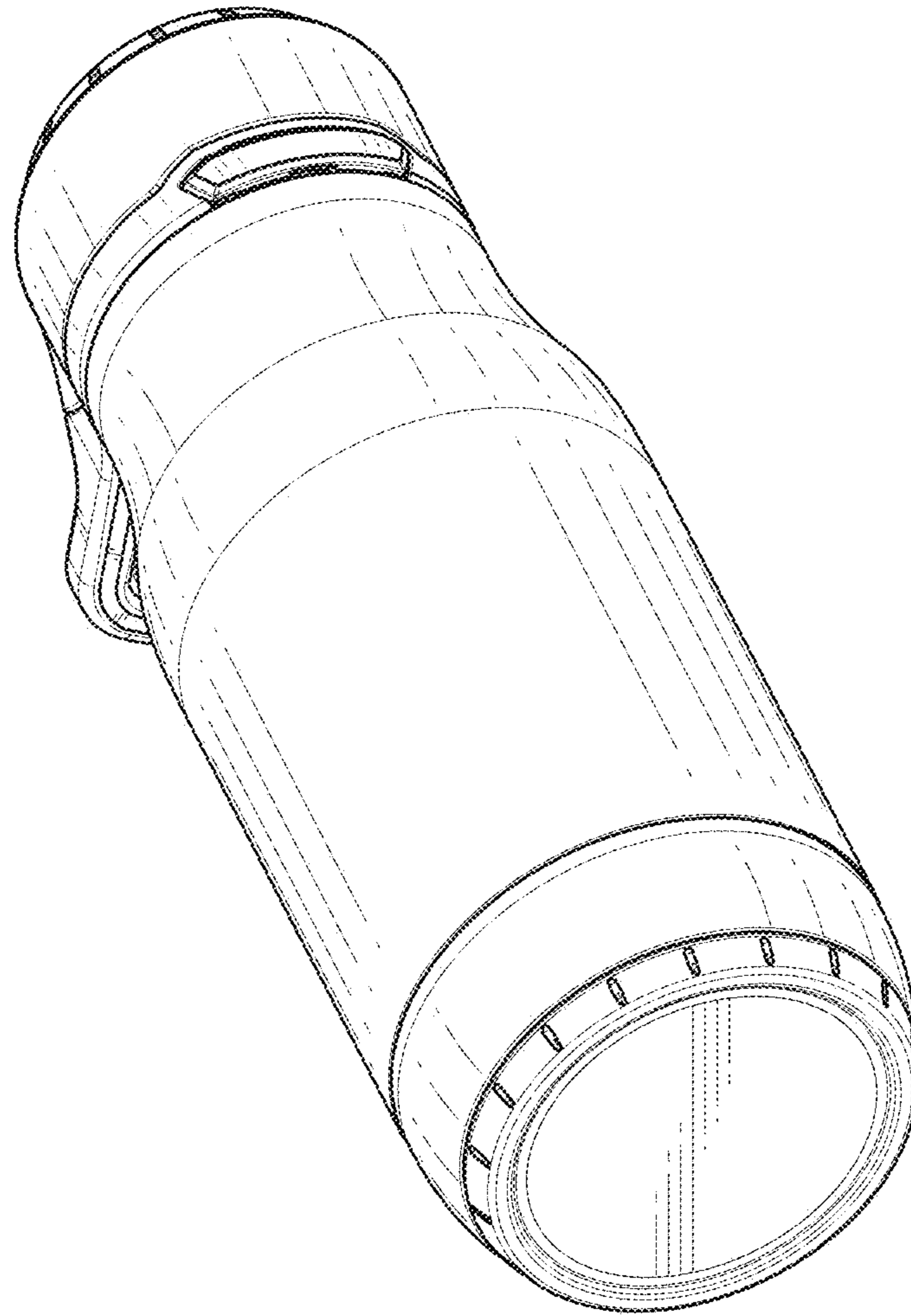


FIG. 2

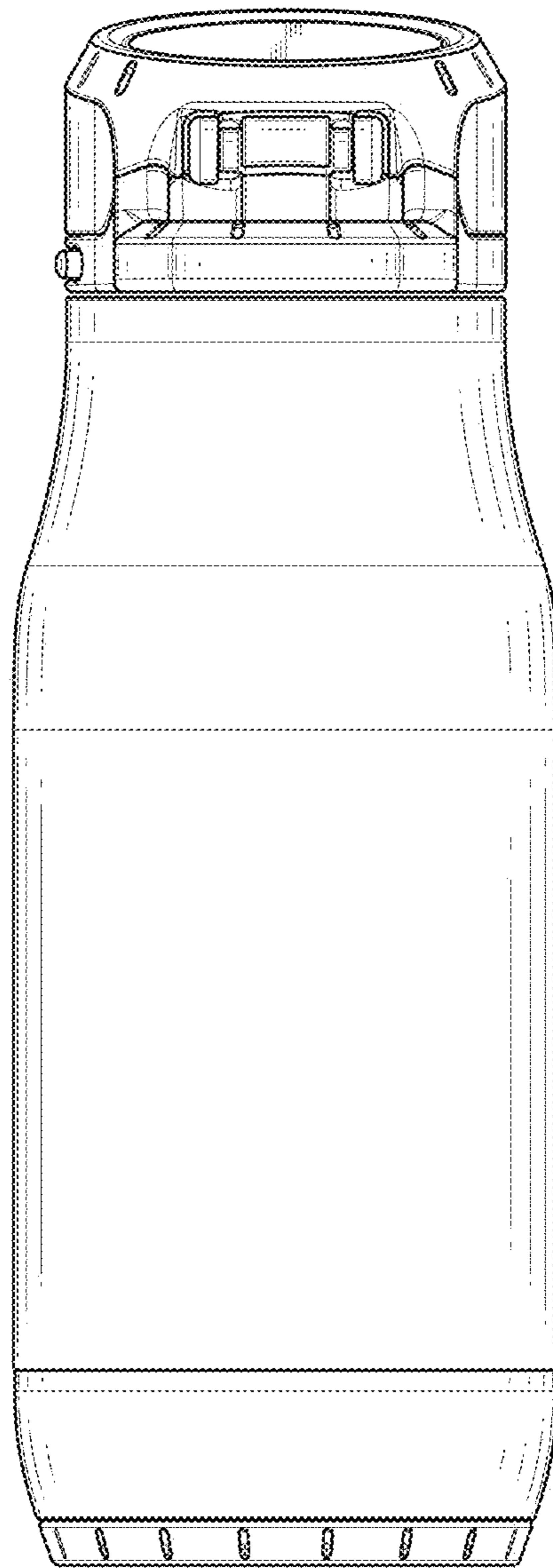


FIG. 3

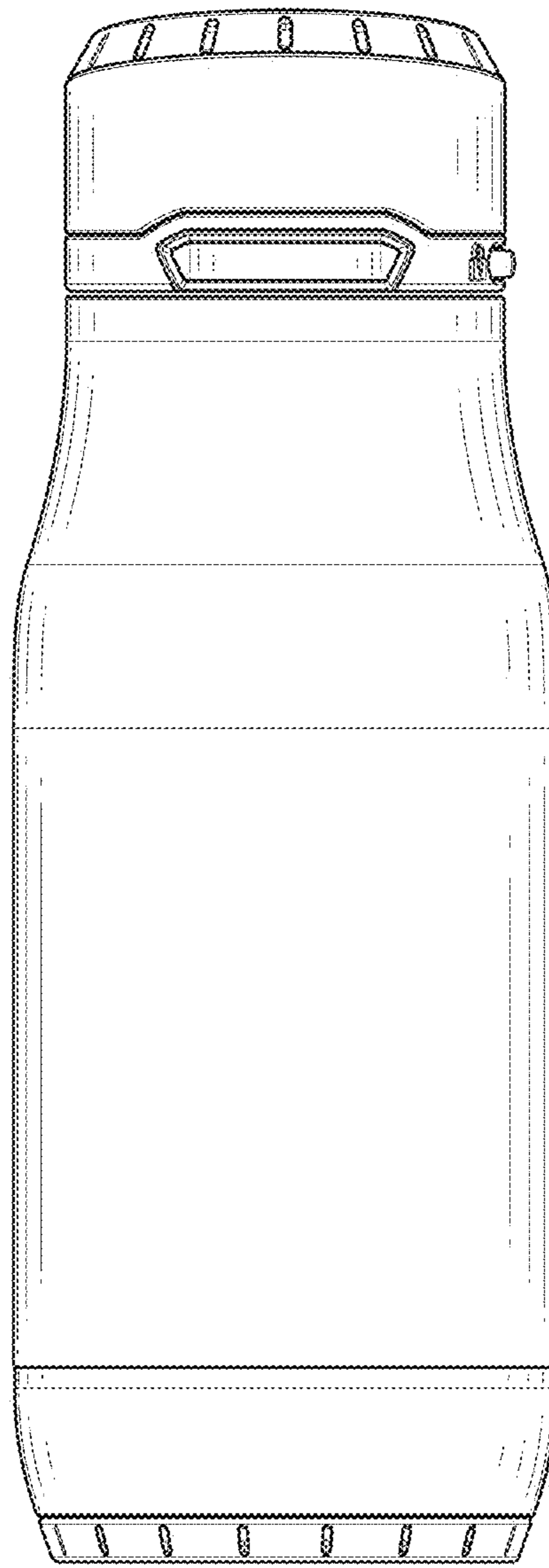


FIG. 4

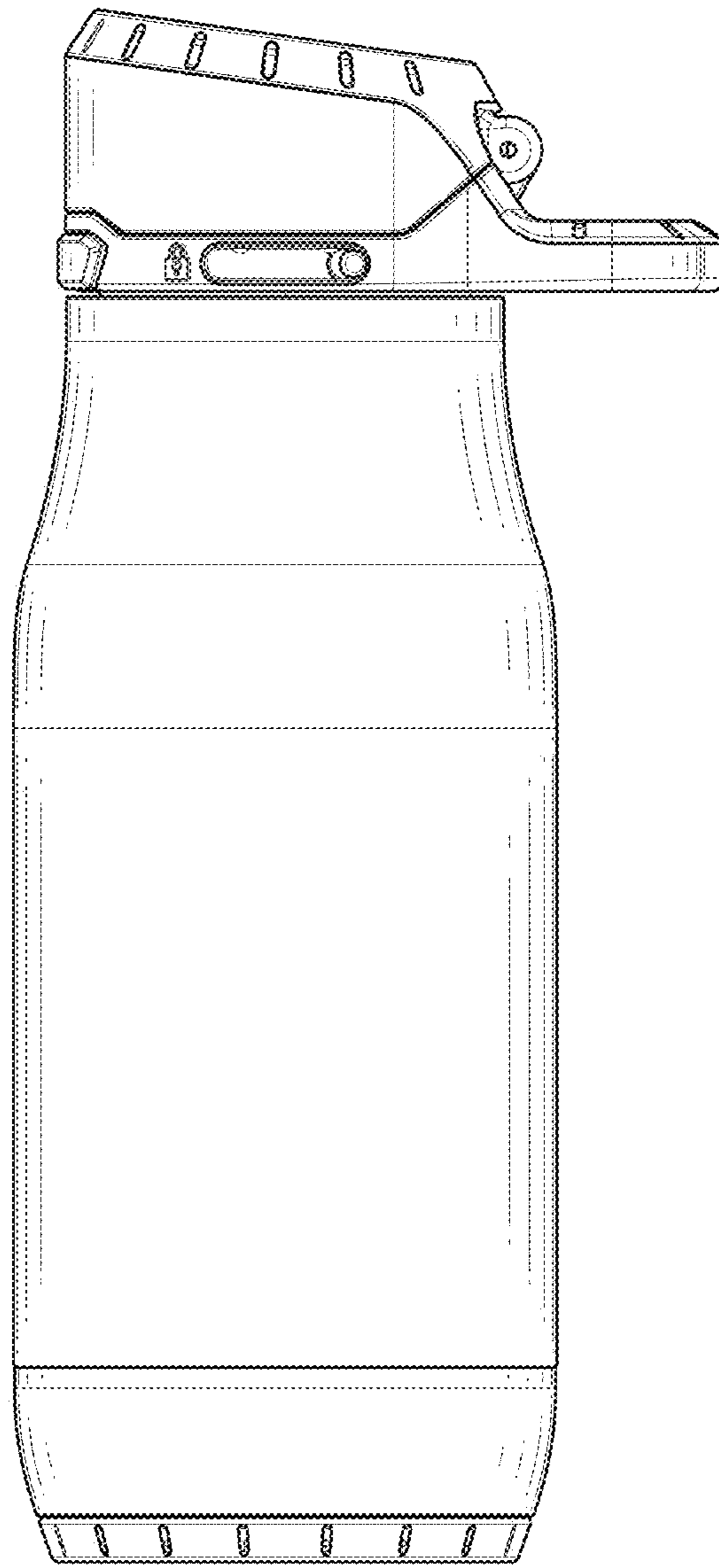


FIG. 5



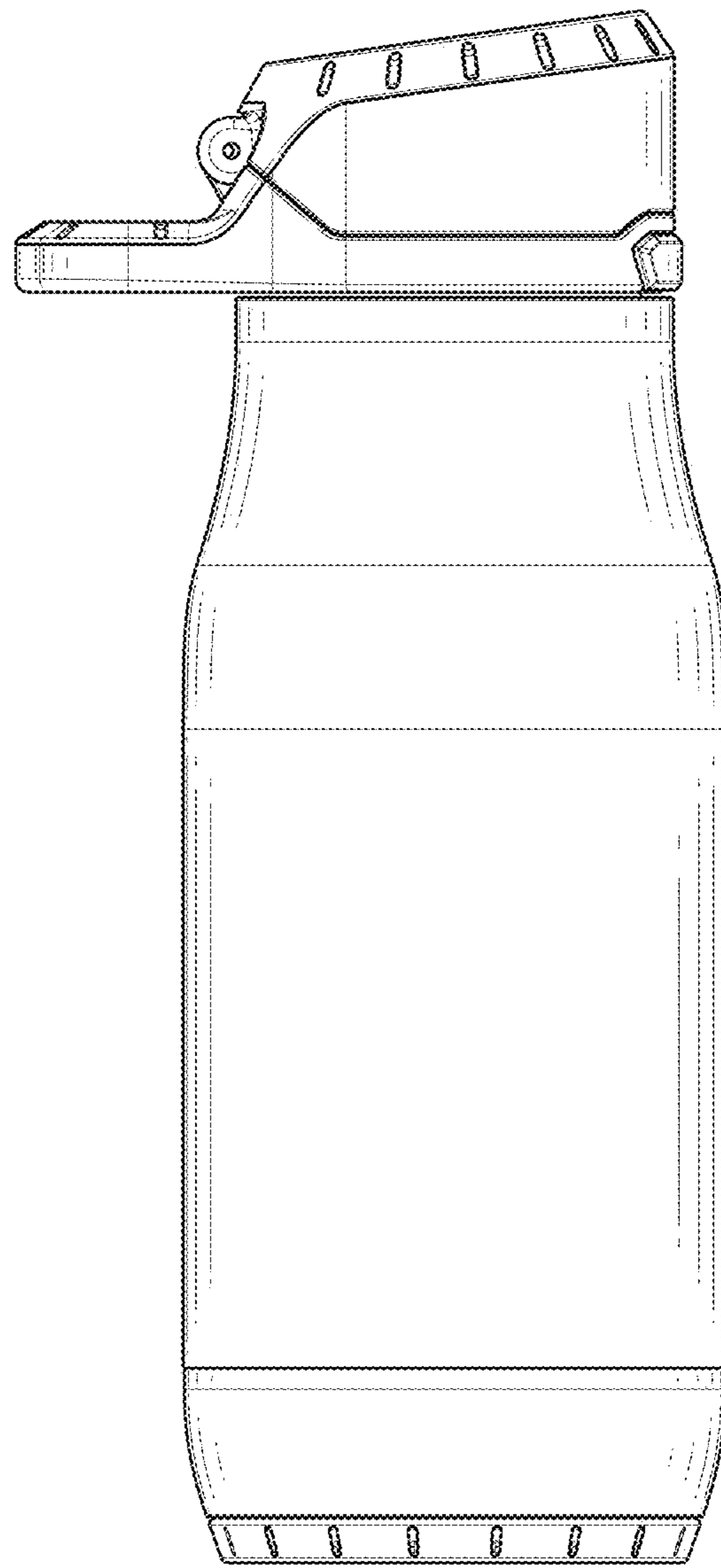


FIG. 6

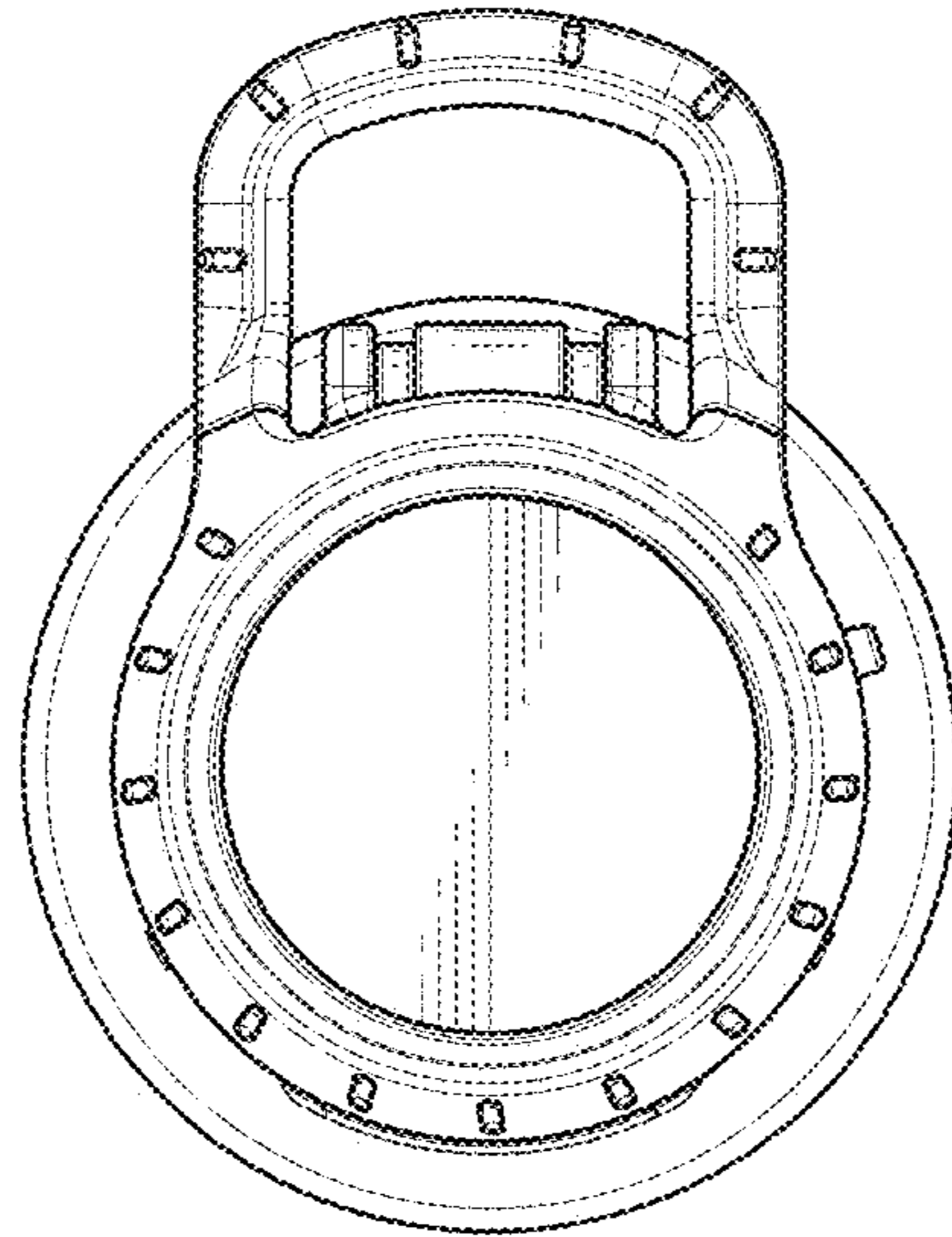


FIG. 7

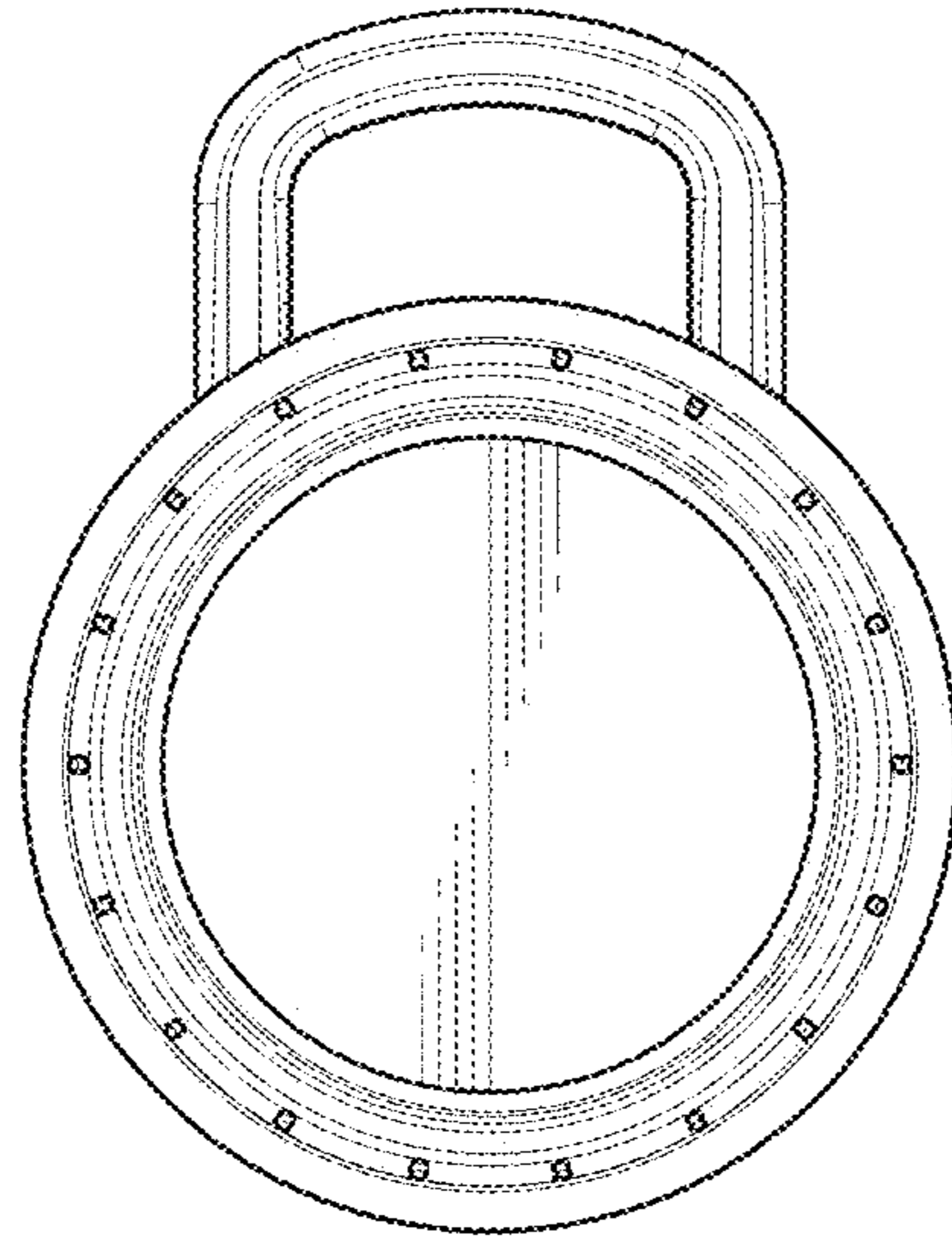


FIG. 8