



US00D929179S

(12) **United States Design Patent**
Kim et al.

(10) **Patent No.:** **US D929,179 S**
(45) **Date of Patent:** **** Aug. 31, 2021**

(54) **MICROWAVE**

FOREIGN PATENT DOCUMENTS

(71) Applicant: **Samsung Electronics Co., Ltd.**,
Suwon-si (KR)

CN 2012305336010 4/2013
CN 2012305333417 5/2013

(Continued)

(72) Inventors: **Yo Han Kim**, Suwon-si (KR); **Hyun Soo Kim**, Suwon-si (KR);
Hwan-Woong Choi, Suwon-si (KR)

OTHER PUBLICATIONS

(73) Assignee: **Samsung Electronics Co., Ltd.**,
Suwon-si (KR)

Samsung MG11T5018CC Countertop Oven, first available Aug. 20, 2020, Amazon, [online], [site visited Mar. 12, 2021], Available from internet URL: <https://www.amazon.com/MG11T5018CC-Countertop-Capacity-Microwave-Charcoal/dp/B08GDWPVQ9?th=1> (Year: 2020).*

(Continued)

(**) Term: **15 Years**

(21) Appl. No.: **29/705,608**

Primary Examiner — Jeffrey D Asch

(22) Filed: **Sep. 13, 2019**

Assistant Examiner — Natalya M Rapundalo

(74) *Attorney, Agent, or Firm* — NSIP Law

(30) **Foreign Application Priority Data**

Jun. 21, 2019 (KR) 30-2019-0029814

(51) **LOC (13) Cl.** **07-02**

(52) **U.S. Cl.**
USPC **D7/405**

(58) **Field of Classification Search**

USPC D7/323, 328, 329, 330, 332, 334, 337,
D7/339, 347, 348, 349, 350.1, 350.2,
D7/350.3, 350.4, 351, 402, 405
CPC A47J 37/00; A47J 37/206; A47J 37/0605;
A47J 37/0623; A47J 37/0629; A47J
37/0641; A47J 37/0647; A47J 37/0664;
A47J 37/0658; A47J 37/067; A47J 37/07;
A47J 37/08; A47J 37/0807

See application file for complete search history.

(56) **References Cited**

U.S. PATENT DOCUMENTS

D329,164 S * 9/1992 Edman D7/351
D576,834 S 9/2008 Shin et al.
D762,416 S * 8/2016 Kim D7/405
D773,233 S * 12/2016 Suh D7/351

(Continued)

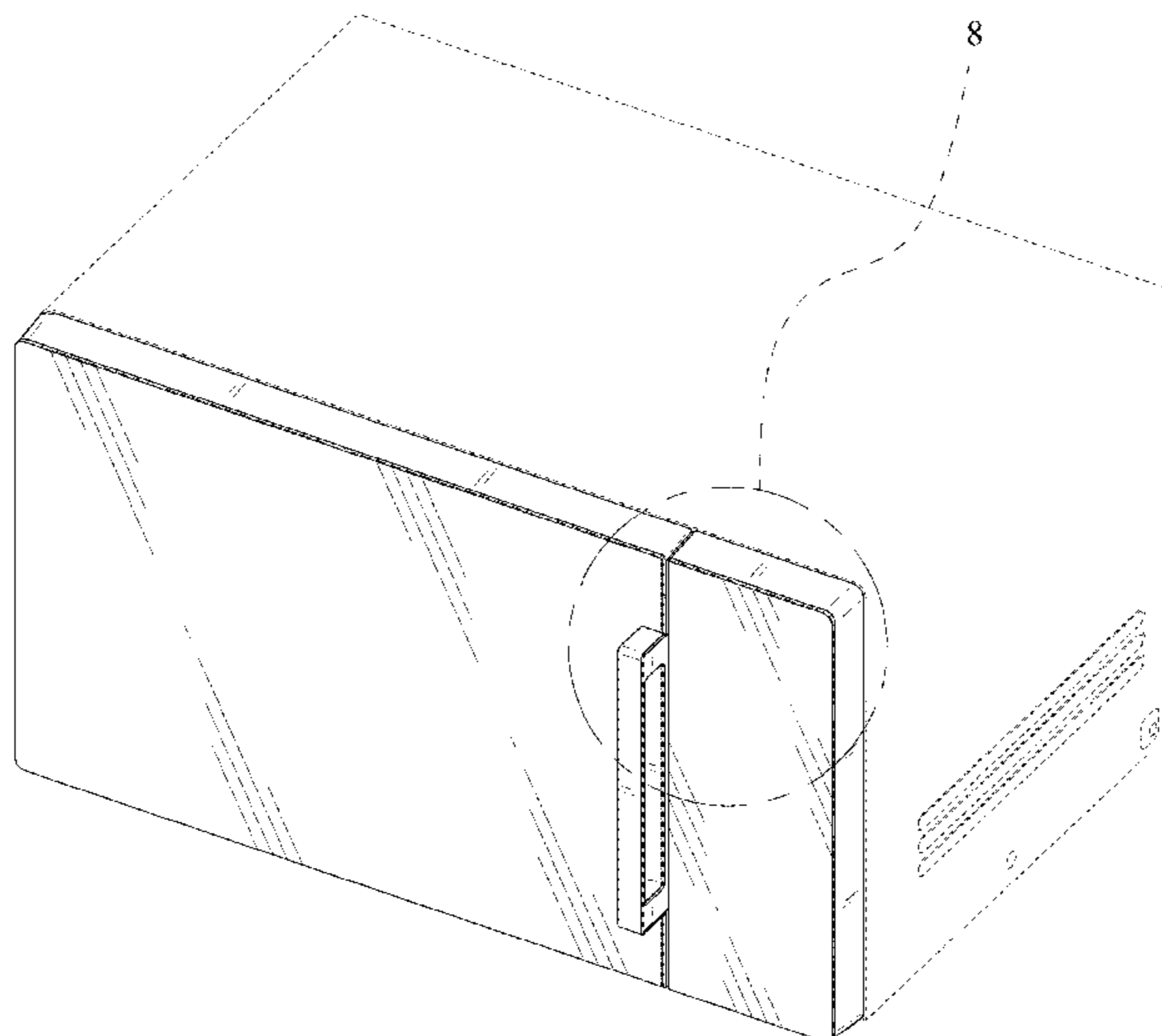
(57) **CLAIM**

We claim the ornamental design for a microwave, as shown and described.

DESCRIPTION

FIG. 1 is a front perspective view of a microwave showing our new design;
FIG. 2 is a front view thereof;
FIG. 3 is a rear view thereof;
FIG. 4 is a left-side view thereof;
FIG. 5 is a right-side view thereof;
FIG. 6 is a top view thereof;
FIG. 7 is a bottom view thereof; and,
FIG. 8 is an enlarged view of the portion 8 in FIG. 1.
The evenly dashed broken lines in the figures depict portions of the microwave which form no part of the claimed design. The dot-dot-dash broken lines encircling enlargement portions of the claimed design form no part of the claimed design.

1 Claim, 8 Drawing Sheets



(56)

References Cited

U.S. PATENT DOCUMENTS

D788,515 S * 6/2017 Kim D7/350.1
D893,935 S * 8/2020 Li D7/351
D908,416 S * 1/2021 Huang D7/347

FOREIGN PATENT DOCUMENTS

KR 30-2014-0054718 4/2015
KR 30-2014-0054711 6/2015

OTHER PUBLICATIONS

1.1 cu. ft. Countertop Microwave—MG11T5018CC/AA, Samsung, [online], [site visited Mar. 12, 2021], Available from internet URL: <https://www.samsung.com/us/home-appliances/microwaves/countertop/1-1-cu-ft-countertop-microwave-with-auto-cook-in-charcoal-mg11t5018cc-aa/> (Year: 2021).*

* cited by examiner

FIG. 1

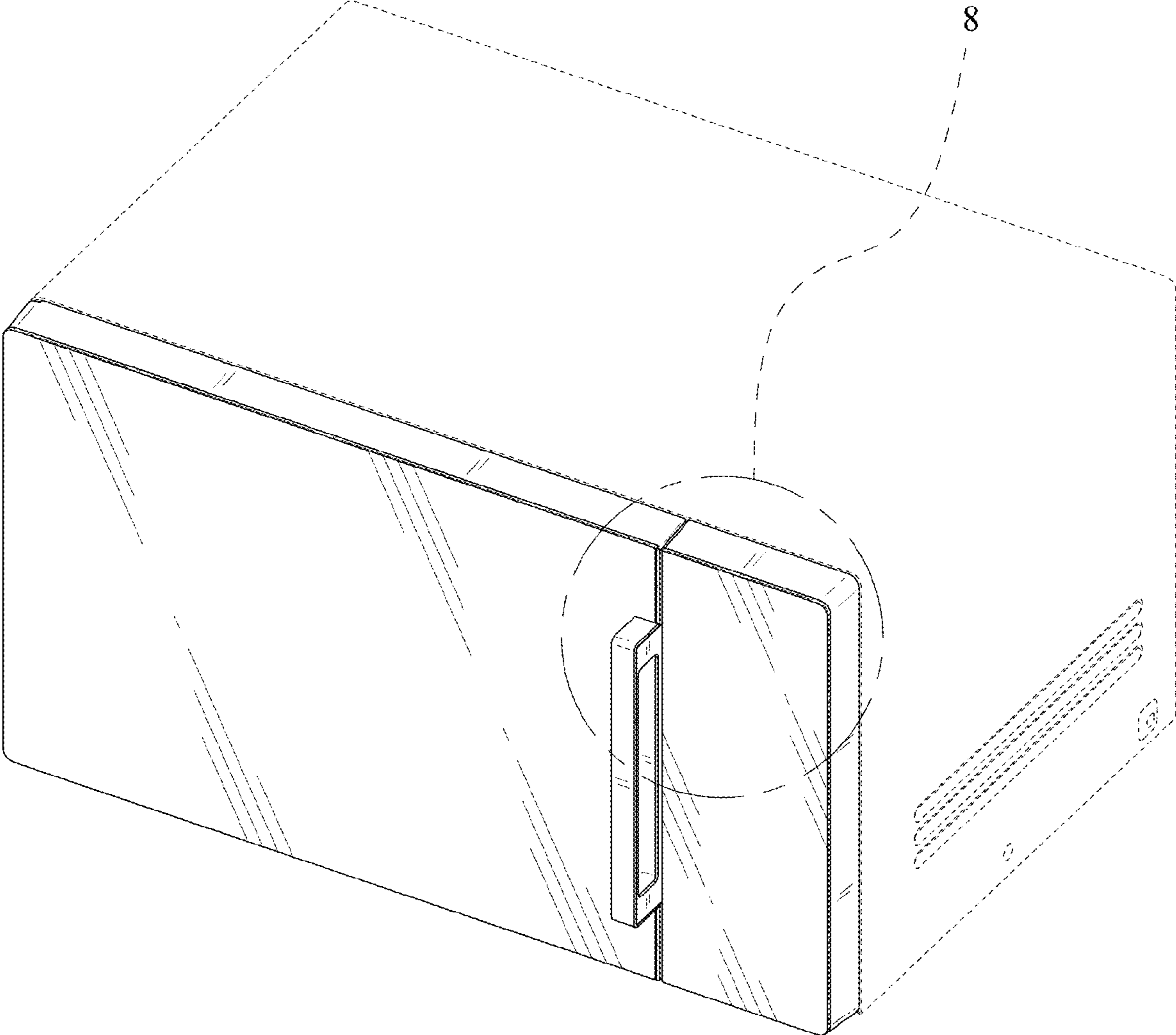


FIG. 2

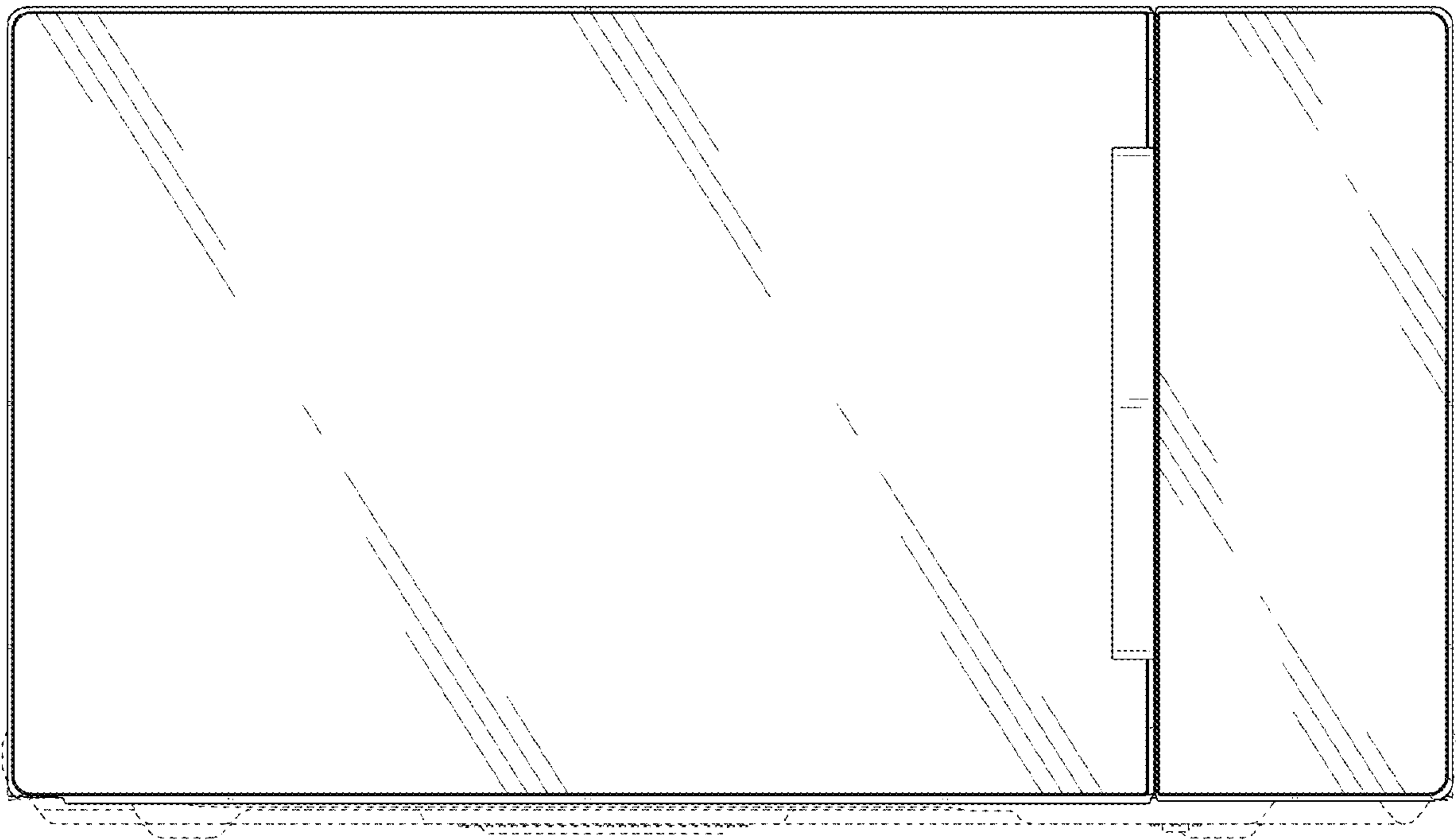


FIG. 3

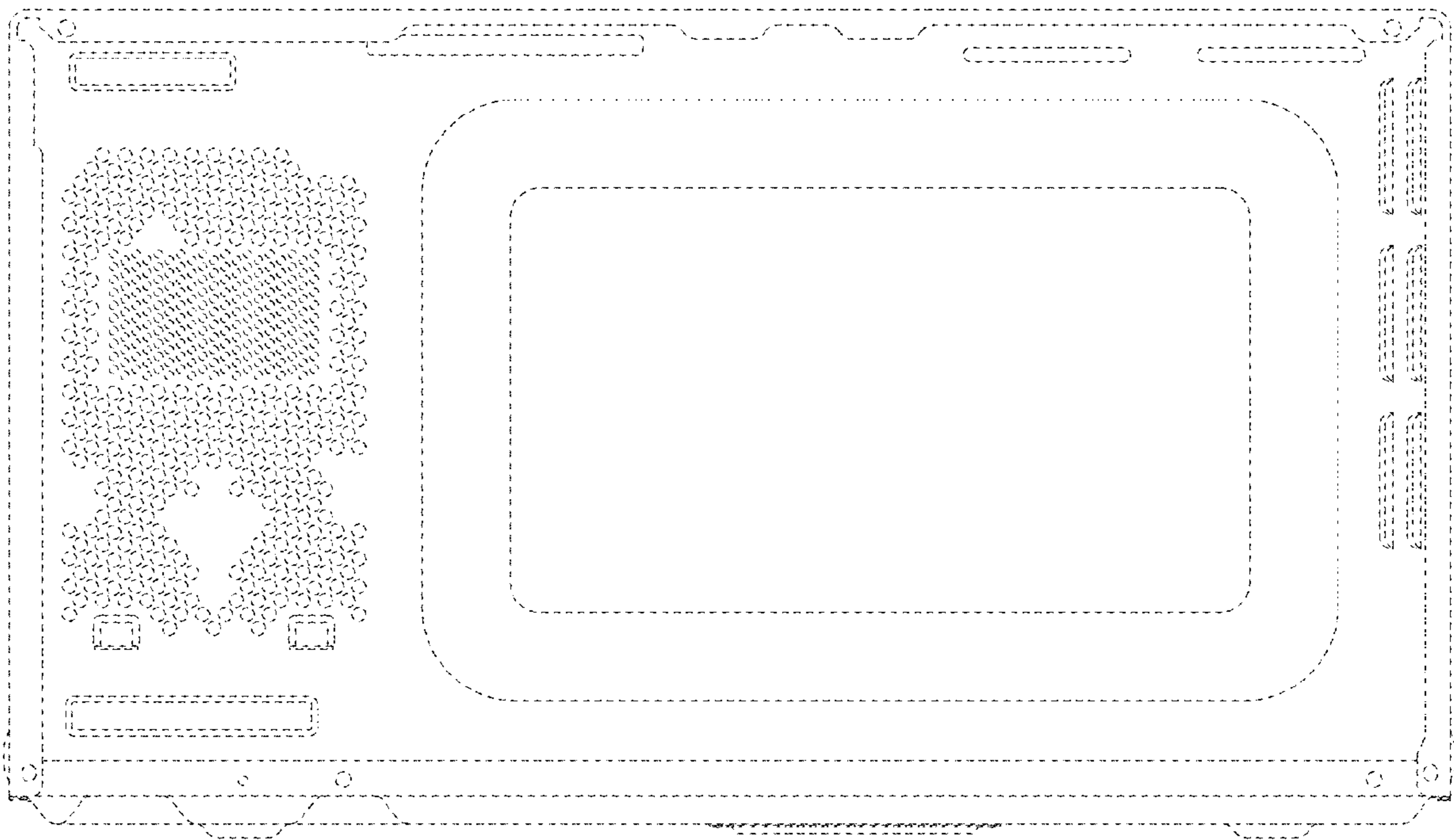


FIG. 4

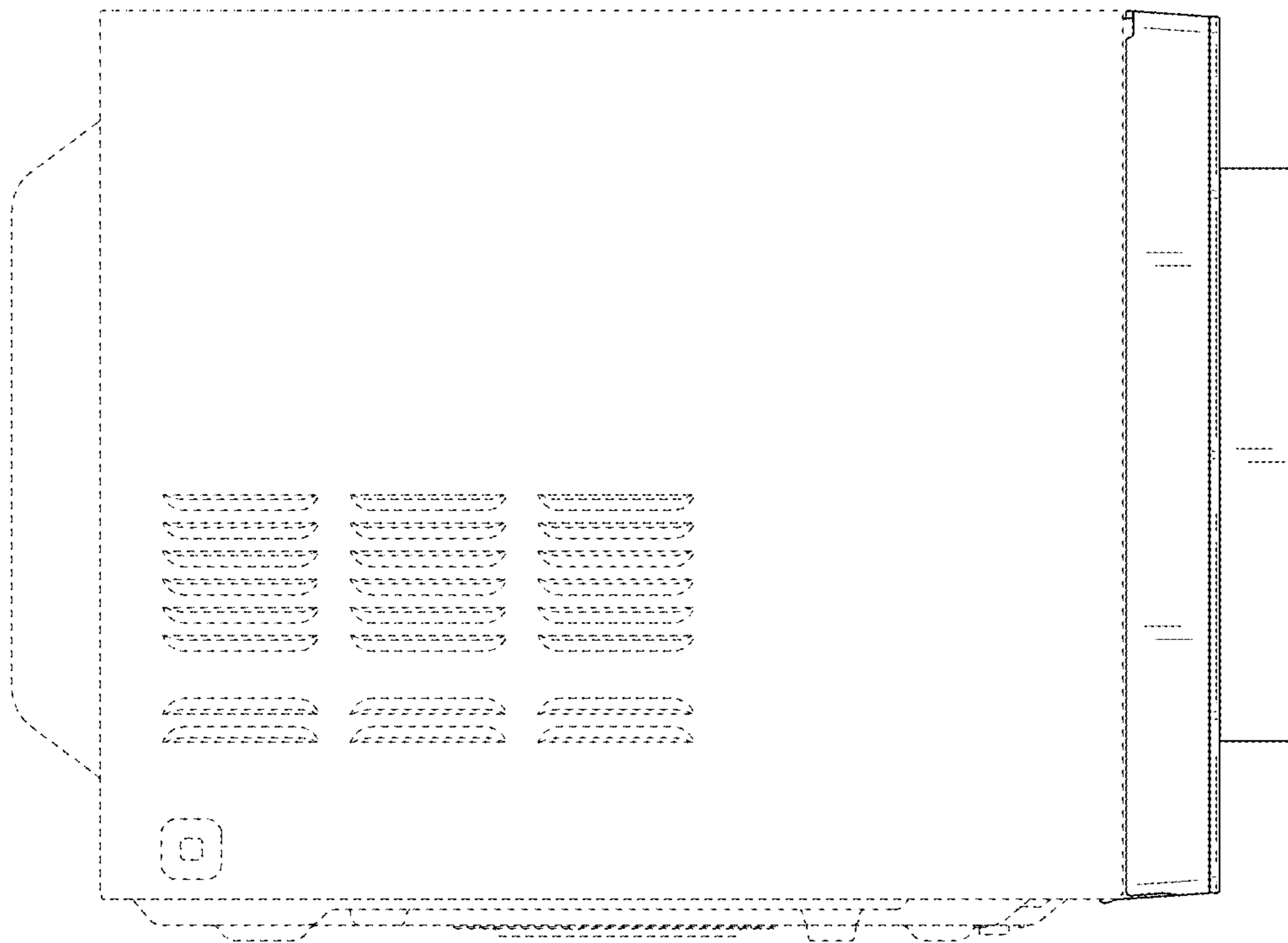


FIG. 5

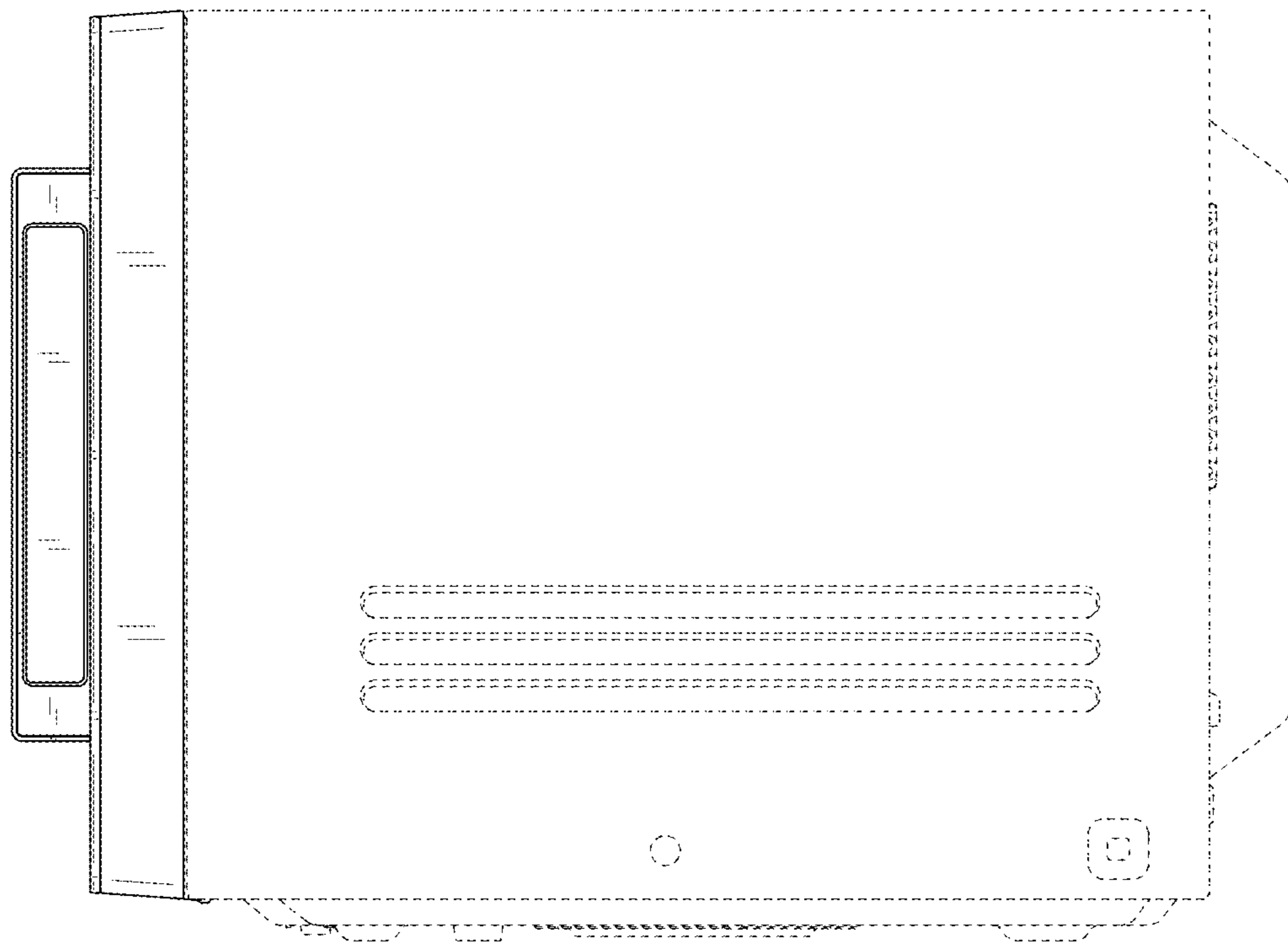


FIG. 6

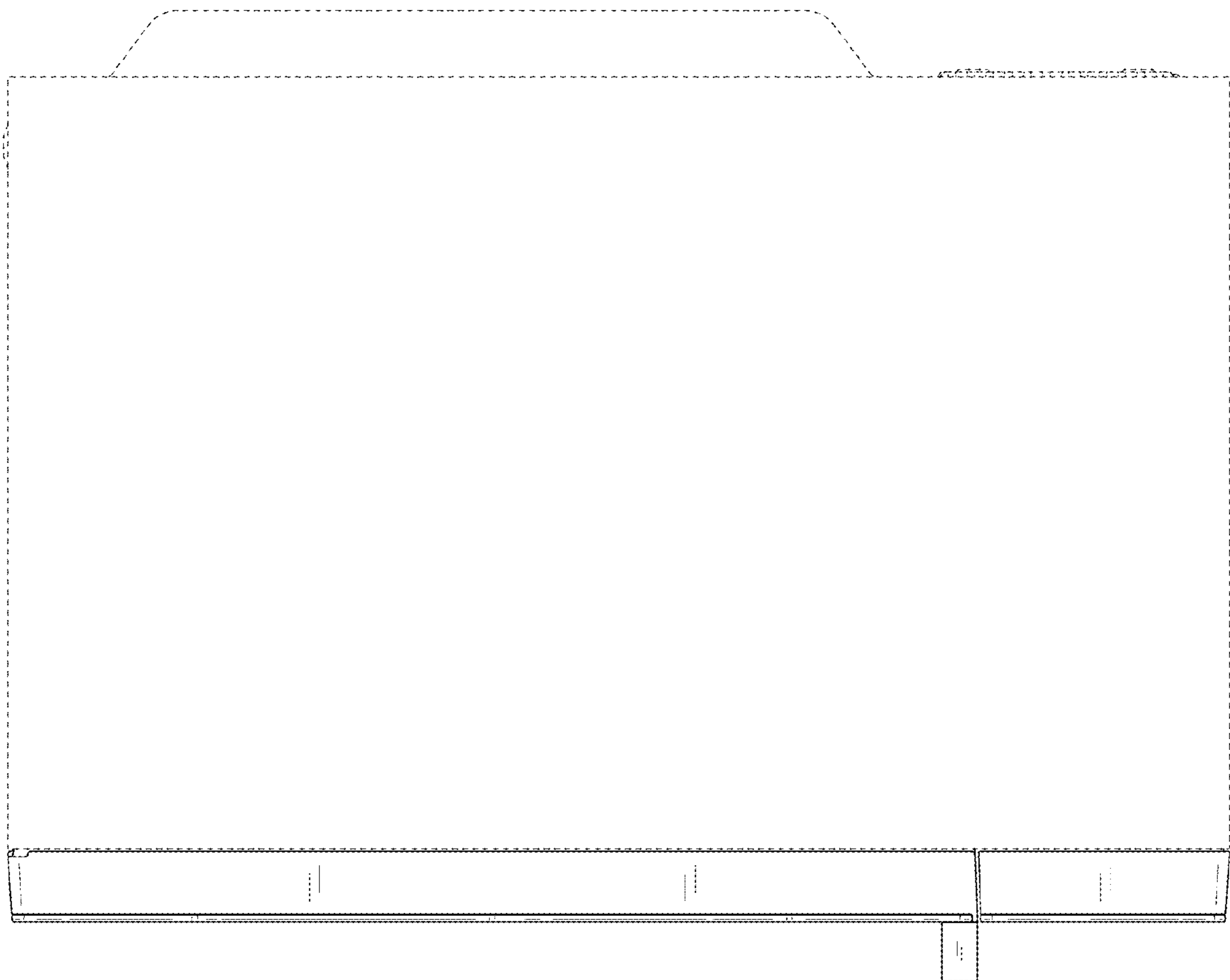


FIG. 7

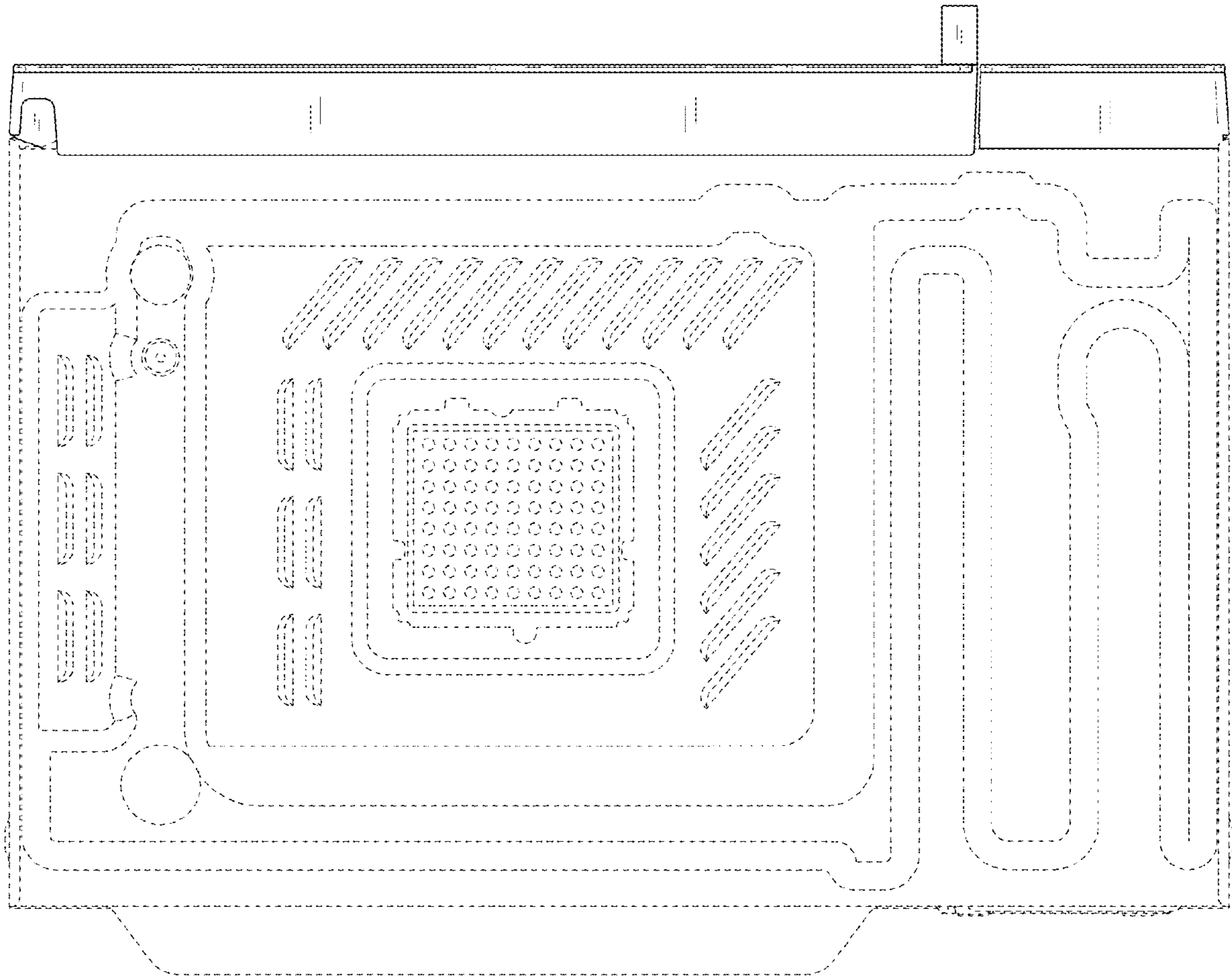


FIG. 8

