



US00D929178S

(12) **United States Design Patent**  
**Han**

(10) **Patent No.:** **US D929,178 S**

(45) **Date of Patent:** **\*\* Aug. 31, 2021**

(54) **MICROWAVE**

FOREIGN PATENT DOCUMENTS

(71) Applicant: **Samsung Electronics Co., Ltd.**,  
Suwon-si (KR)

CN 201430364549X 3/2015  
CN 2014303651486 3/2015

(Continued)

(72) Inventor: **Gi-Sung Han**, Suwon-si (KR)

OTHER PUBLICATIONS

(73) Assignee: **Samsung Electronics Co., Ltd.**,  
Suwon-si (KR)

1.2 cu ft. PowerGrill Duo Countertop Microwave, Samsung, [online],  
[site visited Mar. 12, 2021], Available from internet URL: <https://www.samsung.com/US/home-appliances/microwaves/countertop/mc12j8035ct-1-2-cu-ft-counter-top-convection-microwave-with-power-convection-powergrill-duo-black-mc12j8035ct-aa/> (Year: 2021).\*

(Continued)

(\*\*) Term: **15 Years**

(21) Appl. No.: **29/704,941**

(22) Filed: **Sep. 9, 2019**

*Primary Examiner* — Jeffrey D Asch  
*Assistant Examiner* — Natalya M Rapundalo  
(74) *Attorney, Agent, or Firm* — NSIP Law

(30) **Foreign Application Priority Data**

Jun. 10, 2019 (KR) ..... 30-2019-0027380

(57) **CLAIM**

(51) **LOC (13) Cl.** ..... **07-02**

I claim the ornamental design for a microwave, as shown and described.

(52) **U.S. Cl.**

USPC ..... **D7/405**

**DESCRIPTION**

(58) **Field of Classification Search**

USPC ..... D7/323, 328, 329, 330, 332, 334, 337,  
D7/339, 347, 348, 349, 350.1, 350.2,  
D7/350.3, 350.4, 351, 402, 405  
CPC ..... A47J 37/00; A47J 37/206; A47J 37/0605;  
A47J 37/0623; A47J 37/0629; A47J  
37/0641; A47J 37/0647; A47J 37/0664;  
A47J 37/0658; A47J 37/067; A47J 37/07;  
A47J 37/08; A47J 37/0807  
See application file for complete search history.

FIG. 1 is a front perspective view of a microwave showing my new design;  
FIG. 2 is a front view thereof;  
FIG. 3 is a rear view thereof;  
FIG. 4 is a left-side view thereof;  
FIG. 5 is a right-side view thereof;  
FIG. 6 is a top view thereof;  
FIG. 7 is a bottom view thereof;  
FIG. 8 is a cross-sectional view taken through line 8-8 of FIG. 6; and,  
FIG. 9 is an enlarged view of the portion 9 in FIG. 1.

(56) **References Cited**

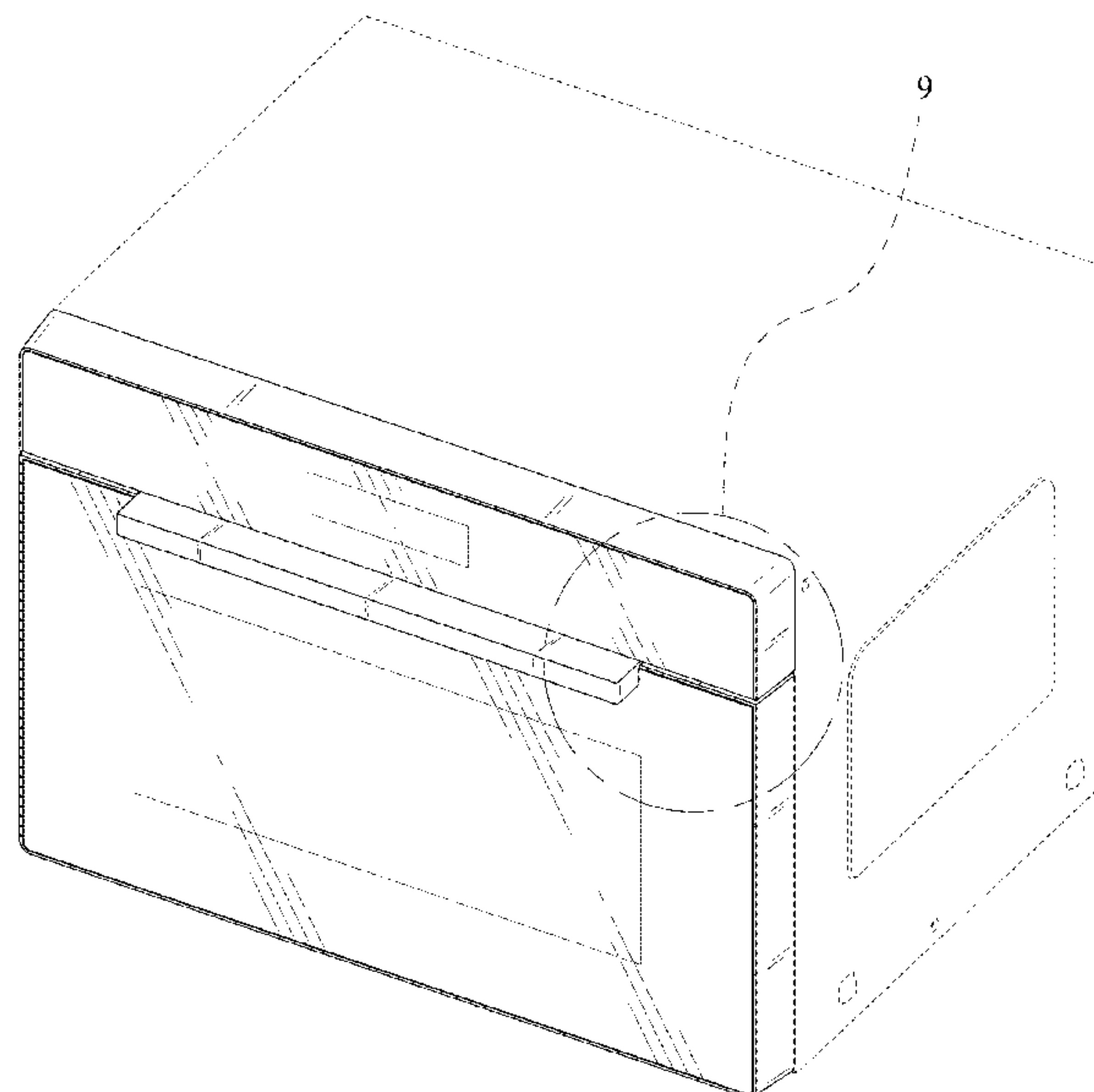
U.S. PATENT DOCUMENTS

D542,588 S \* 5/2007 Jeon, III ..... D7/350.1  
D748,424 S \* 2/2016 Funnell, II ..... D7/348  
D788,515 S \* 6/2017 Kim ..... D7/350.1

The evenly dashed broken lines in the figures depict portions of the microwave which form no part of the claimed design. The dot-dot-dash broken lines encircling enlargement portions of the claimed design form no part of the claimed design.

(Continued)

**1 Claim, 9 Drawing Sheets**



(56)

**References Cited**

U.S. PATENT DOCUMENTS

D861,426 S \* 10/2019 Kang ..... H05B 6/766  
D7/405  
D893,253 S \* 8/2020 Kwon ..... D7/405  
2018/0153004 A1\* 5/2018 Jang ..... H05B 6/766

FOREIGN PATENT DOCUMENTS

KR 30-2011-0002347 4/2012  
KR 30-2014-0046662 6/2015  
WO DM/097 136 5/2017

OTHER PUBLICATIONS

35L Smart Oven, Samsung Philippines, [online], [site visited Mar. 17, 2021], Available from internet URL: <https://www.samsung.com/ph/microwave-ovens/convection/bspoke-mw8000r/> (Year: 2021).\*  
AEG KME761000M Built-in Combination Microwave, Currys PC World, [online], [site visited Mar. 17, 2021], Available from internet URL: <https://www.currys.ie/ieen/household-appliances/cooking/microwaves/aeg-kme761000m-built-in-combination-microwave-stainless-steel-10166842-pdt.html#tab1> (Year: 2021).\*

\* cited by examiner

FIG. 1

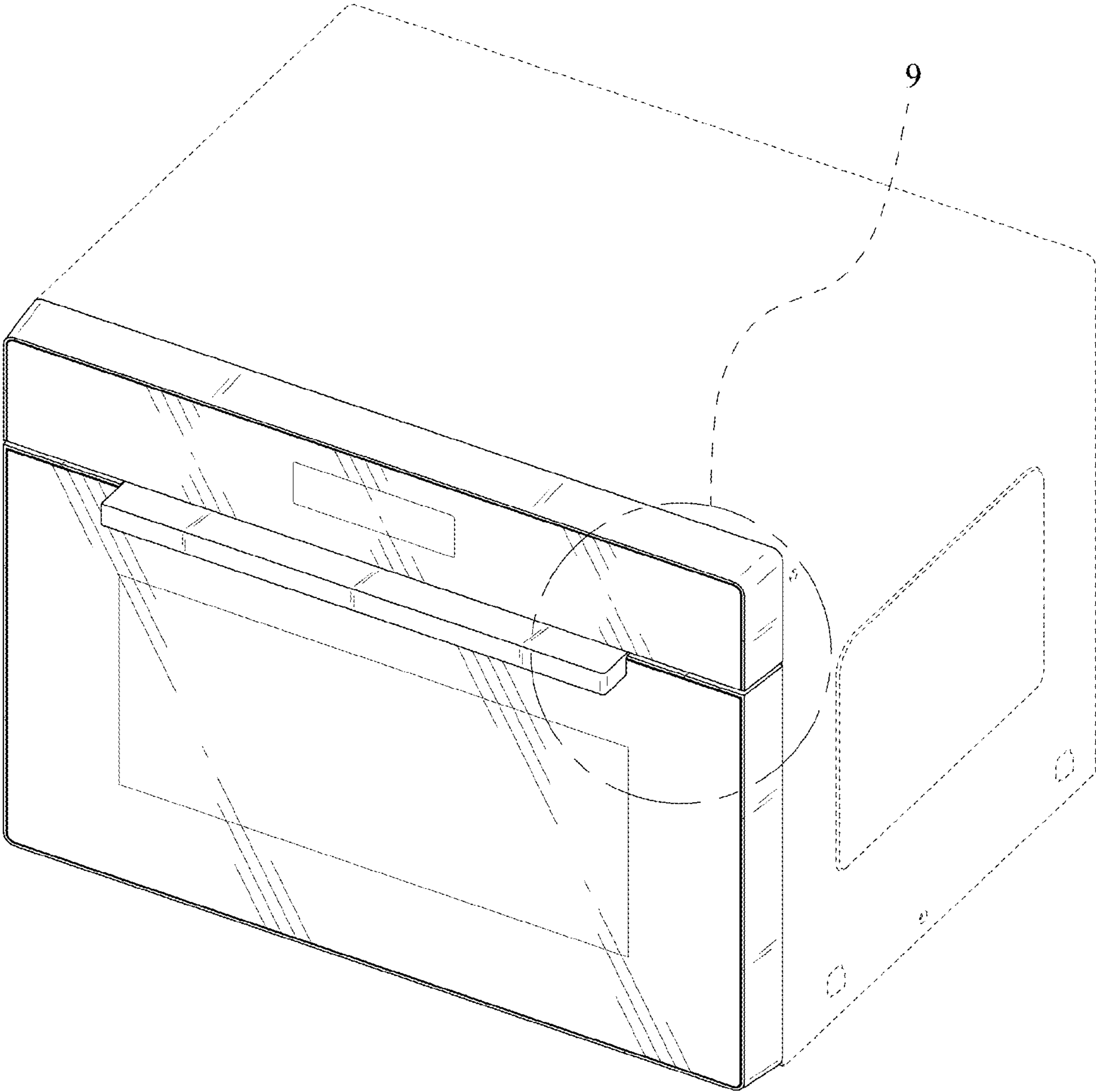


FIG. 2

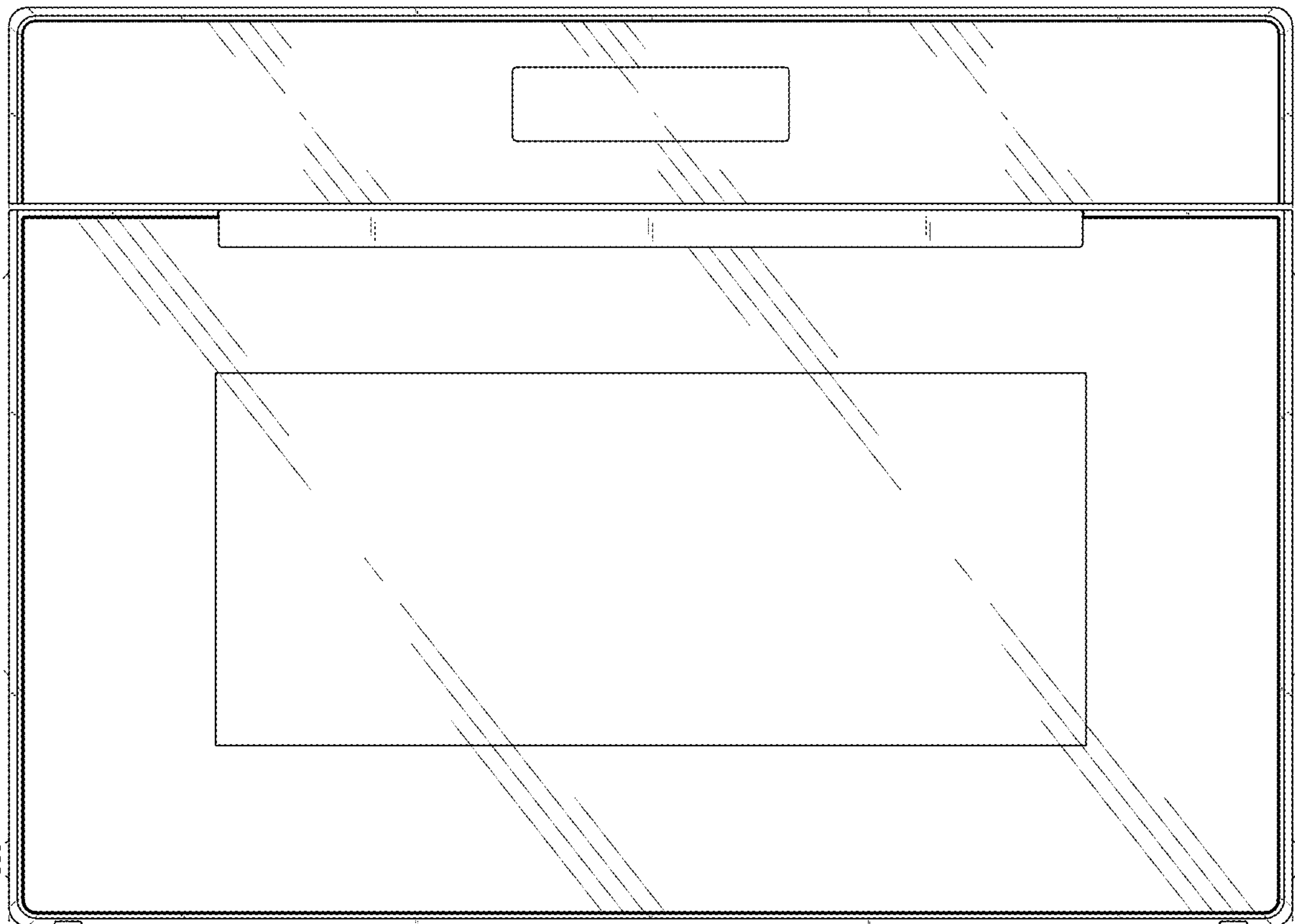


FIG. 3

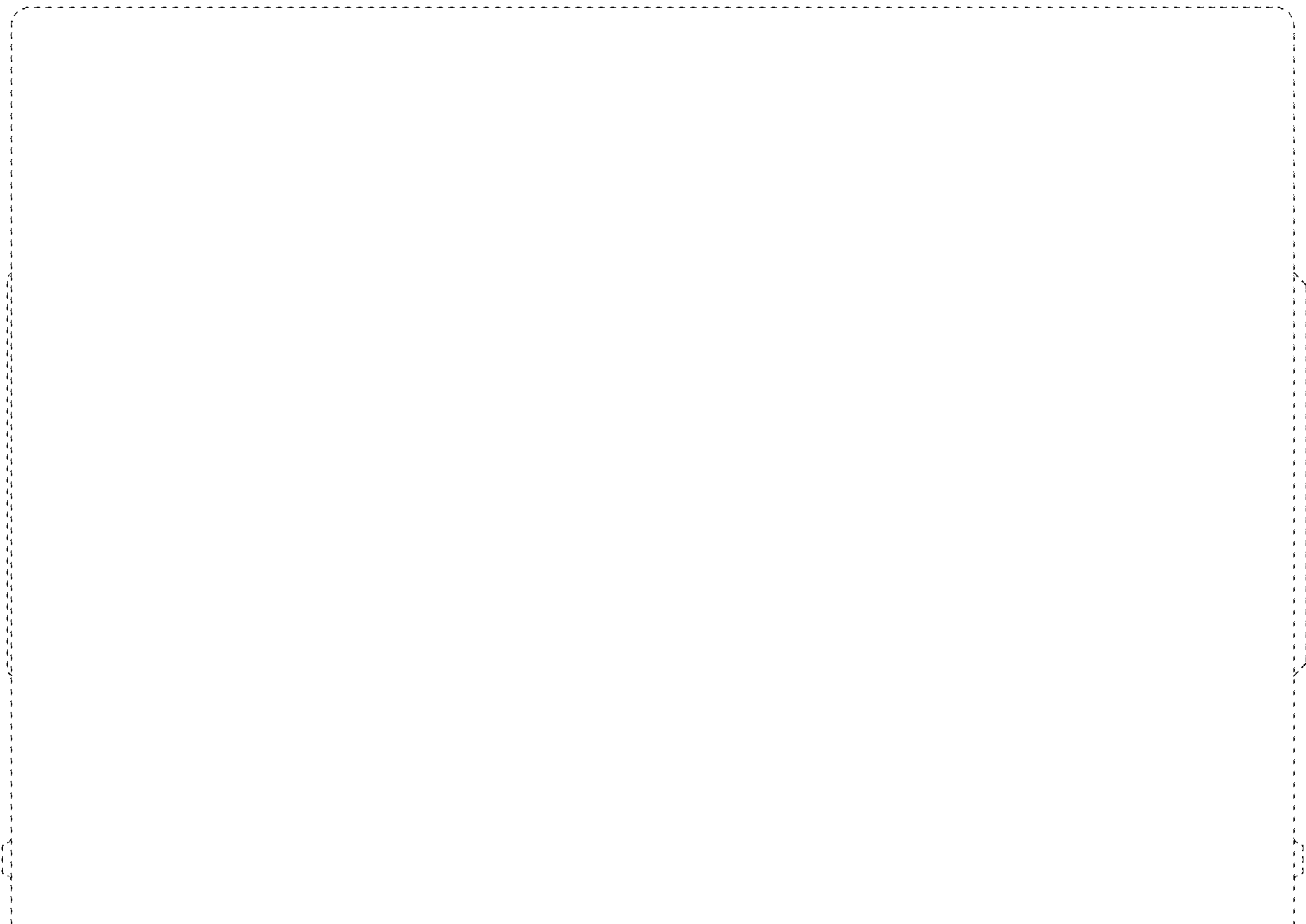


FIG. 4

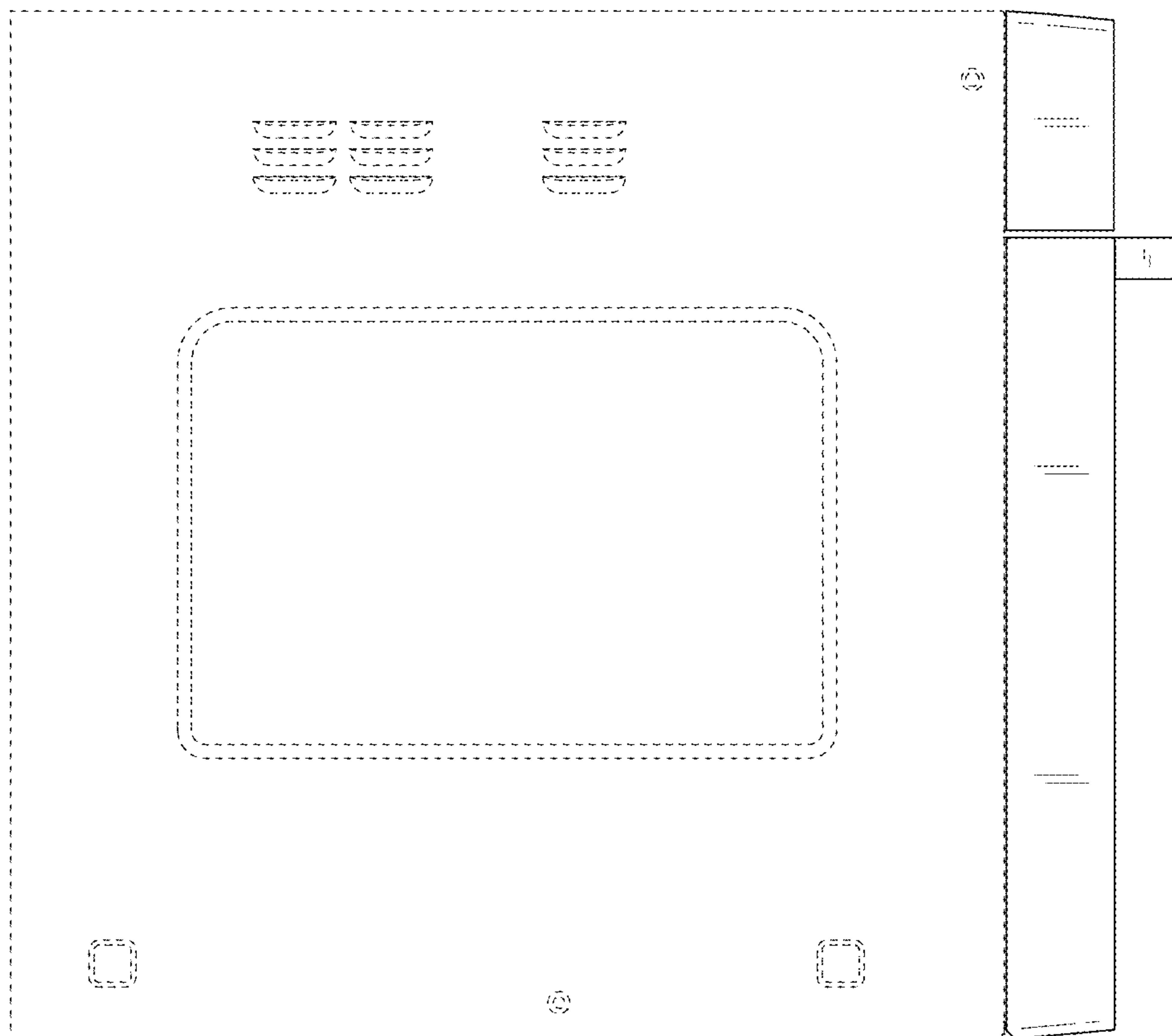


FIG. 5

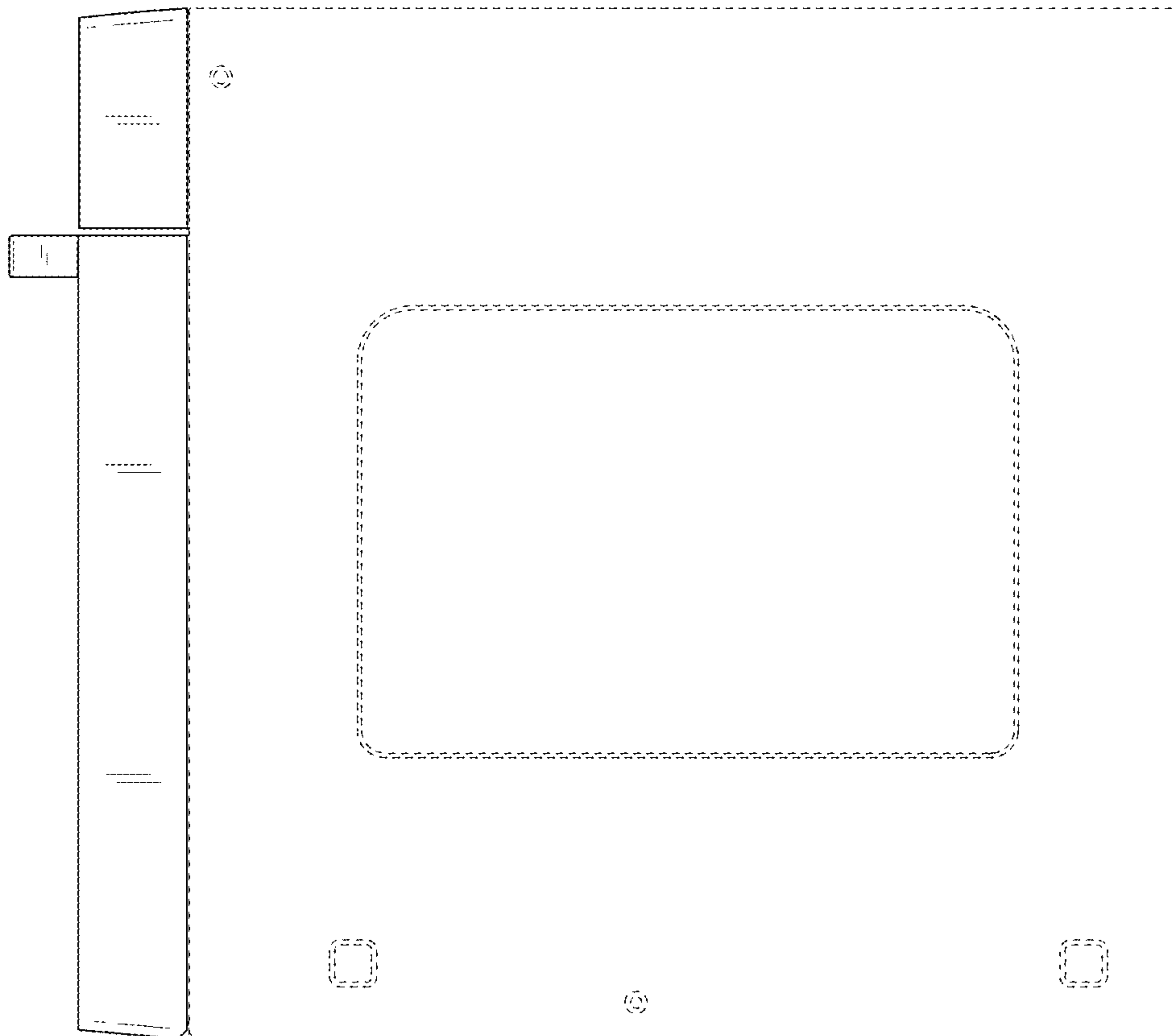


FIG. 6

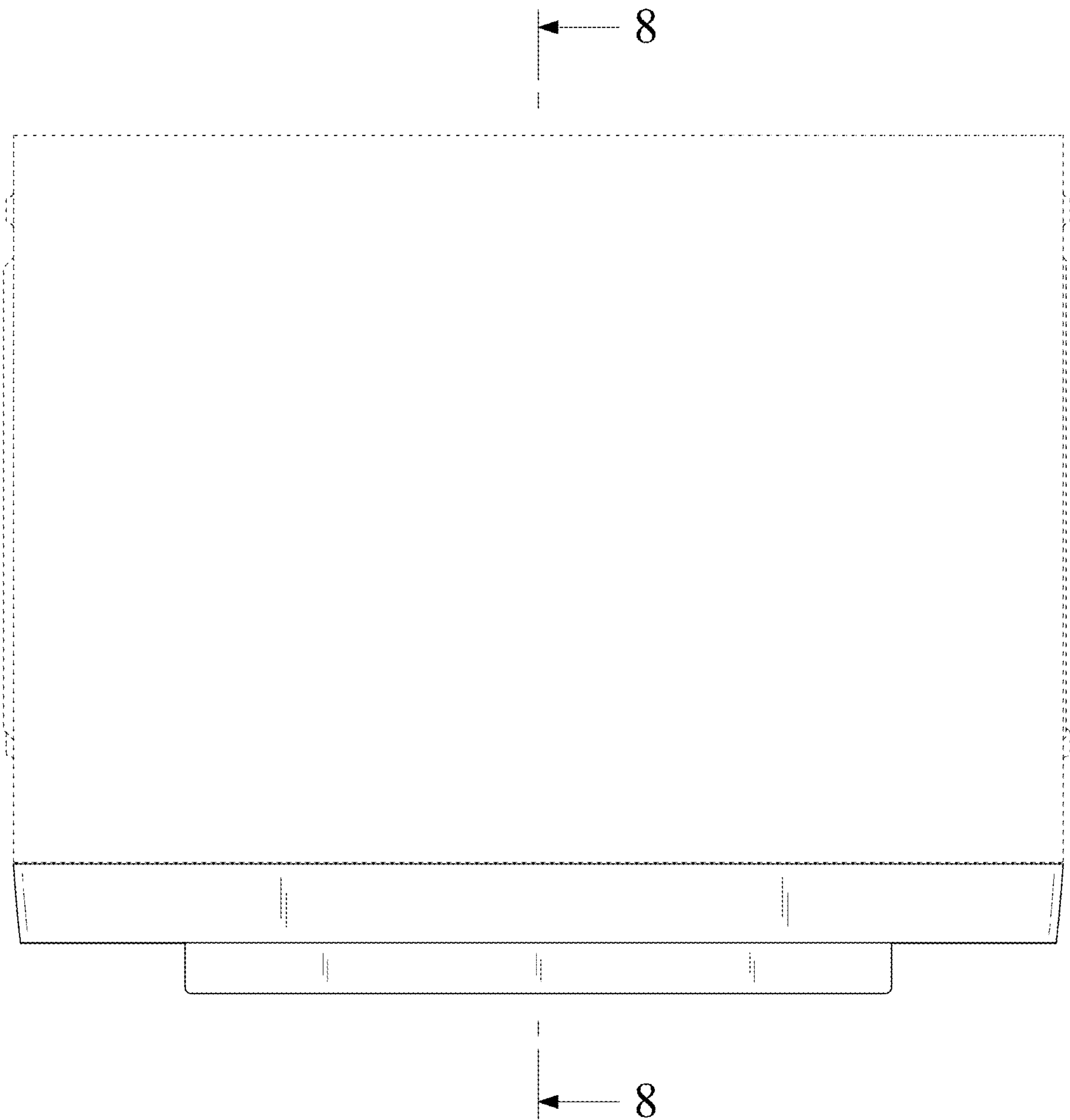




FIG. 7

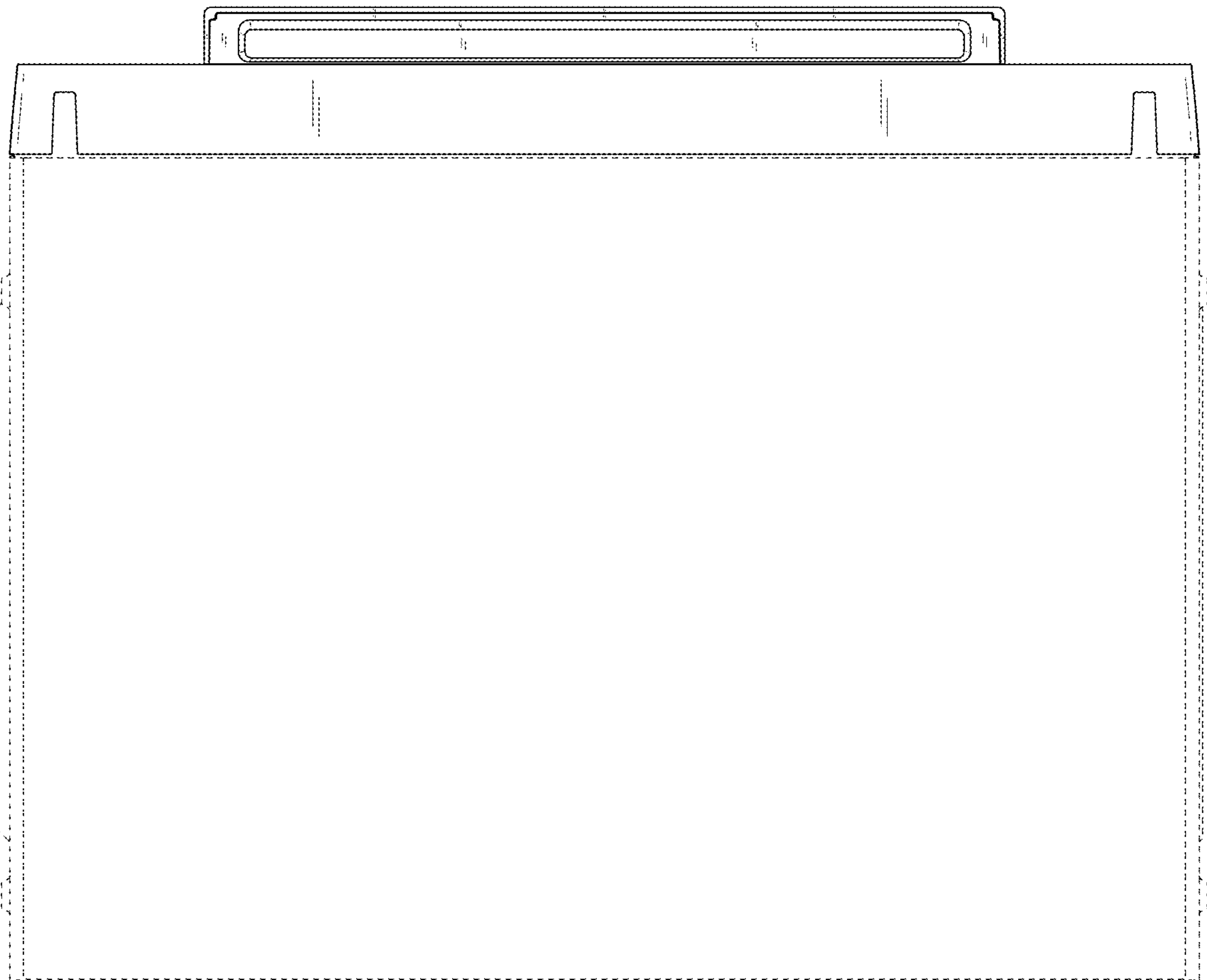


FIG. 8

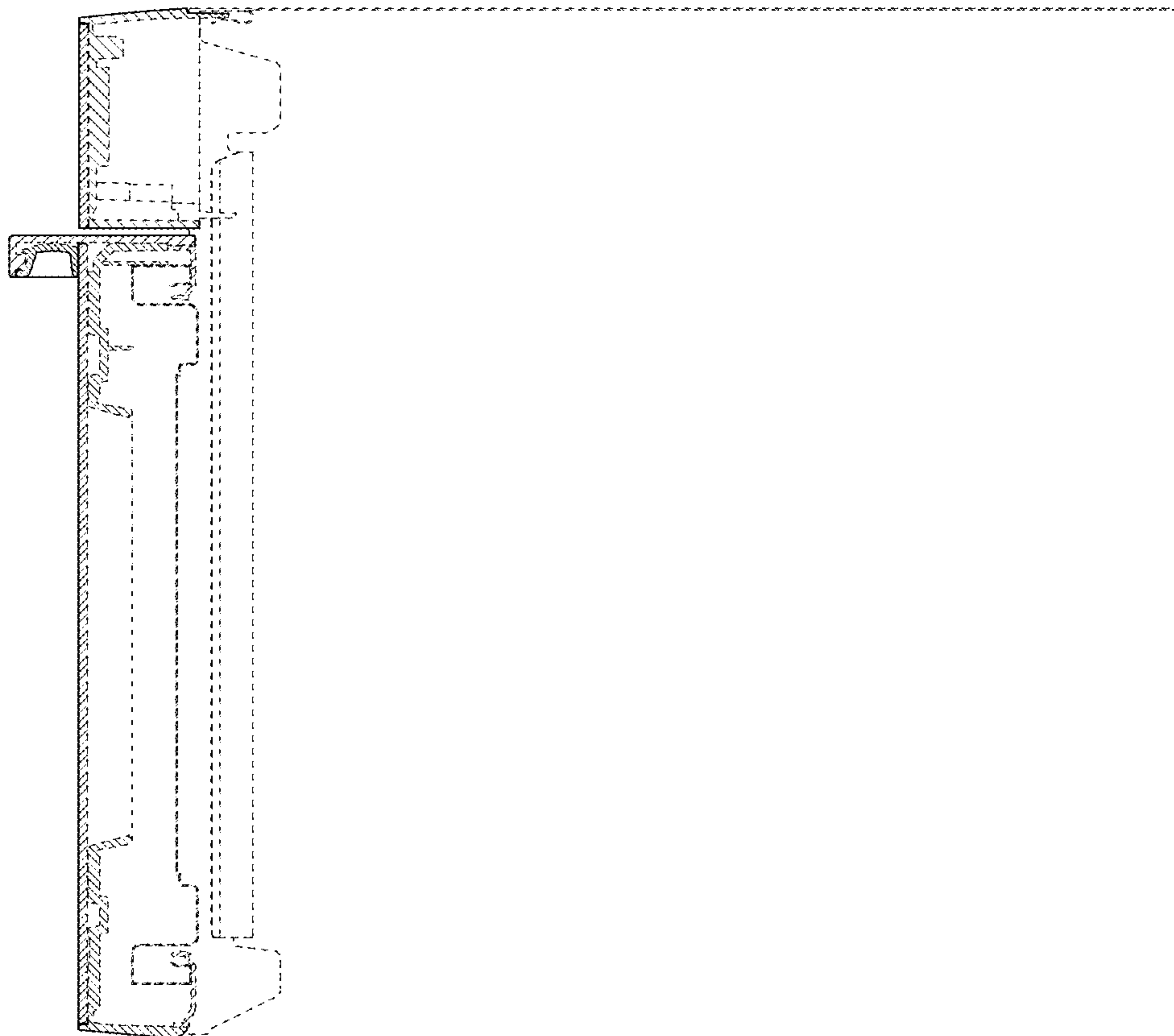


FIG. 9

