



US00D929177S

(12) **United States Design Patent**
Finnance

(10) **Patent No.:** **US D929,177 S**

(45) **Date of Patent:** **** Aug. 31, 2021**

(54) **BLENDER**

(71) Applicant: **Capbran Holdings, LLC**, Los Angeles, CA (US)

(72) Inventor: **Robert Finnance**, Los Angeles, CA (US)

(73) Assignee: **Capbran Holdings, LLC**, Los Angeles, CA (US)

(**) Term: **15 Years**

(21) Appl. No.: **29/743,932**

(22) Filed: **Jul. 24, 2020**

(51) **LOC (13) Cl.** **31-00**

(52) **U.S. Cl.**
USPC **D7/378**; D7/376; D7/412; D7/413

(58) **Field of Classification Search**
USPC D7/372, 376-386, 412-413, 602, 629,
D7/665-666, 669, 679, 693-694
(Continued)

(56) **References Cited**

U.S. PATENT DOCUMENTS

D448,967 S * 10/2001 Planca D7/378
D466,362 S * 12/2002 Moore D7/378
(Continued)

Primary Examiner — Ricky Pham

(74) *Attorney, Agent, or Firm* — Trojan Law Offices

(57) **CLAIM**

The ornamental design for a blender, as shown and described.

DESCRIPTION

FIG. 1 is a top front perspective view of a blender combined with a blender base, blender pitcher container, and container lid in accordance with an embodiment of the present invention;

FIG. 2 is a bottom perspective view of the combined blender base, blender pitcher container, and container lid of FIG. 1; FIG. 3 is a front view of the combined blender base, blender pitcher container, and container lid of FIG. 1; FIG. 4 is a rear view of the combined blender base, blender pitcher container, and container lid of FIG. 1; FIG. 5 is a left side view of the combined blender base, blender pitcher container, and container lid of FIG. 1; FIG. 6 is a right side view of the combined blender base, blender pitcher container, and container lid of FIG. 1; FIG. 7 is a top view of the combined blender base, blender pitcher container, and container lid of FIG. 1; FIG. 8 is a bottom view of the combined blender base, blender pitcher container, and container lid of FIG. 1; FIG. 9 is a front perspective view of the blender base of FIG. 1; FIG. 10 is a bottom perspective view of the blender base of FIG. 1; FIG. 11 is a front view of the blender base of FIG. 1; FIG. 12 is a rear view of the blender base of FIG. 1; FIG. 13 is a left side view of the blender base of FIG. 1; FIG. 14 is a right side view of the blender base of FIG. 1; FIG. 15 is a top view of the blender base of FIG. 1; FIG. 16 is a bottom view of the blender base of FIG. 1; FIG. 17 is a front perspective view of the blender pitcher container and container lid of FIG. 1; FIG. 18 is a bottom perspective view of the blender pitcher container and container lid of FIG. 1; FIG. 19 is a front view of the blender pitcher container and container lid of FIG. 1; FIG. 20 is a rear view of the blender pitcher container and container lid of FIG. 1; FIG. 21 is a left side view of the blender pitcher container and container lid of FIG. 1; FIG. 22 is a right side view of the blender pitcher container and container lid of FIG. 1; FIG. 23 is a top view of the blender pitcher container and container lid of FIG. 1; FIG. 24 is a bottom view of the blender pitcher container and container lid of FIG. 1; FIG. 25 is a front perspective view of the blender pitcher container and container lid (to be combined with the blender of FIG. 1) in accordance with a second embodiment of the present invention;

(Continued)

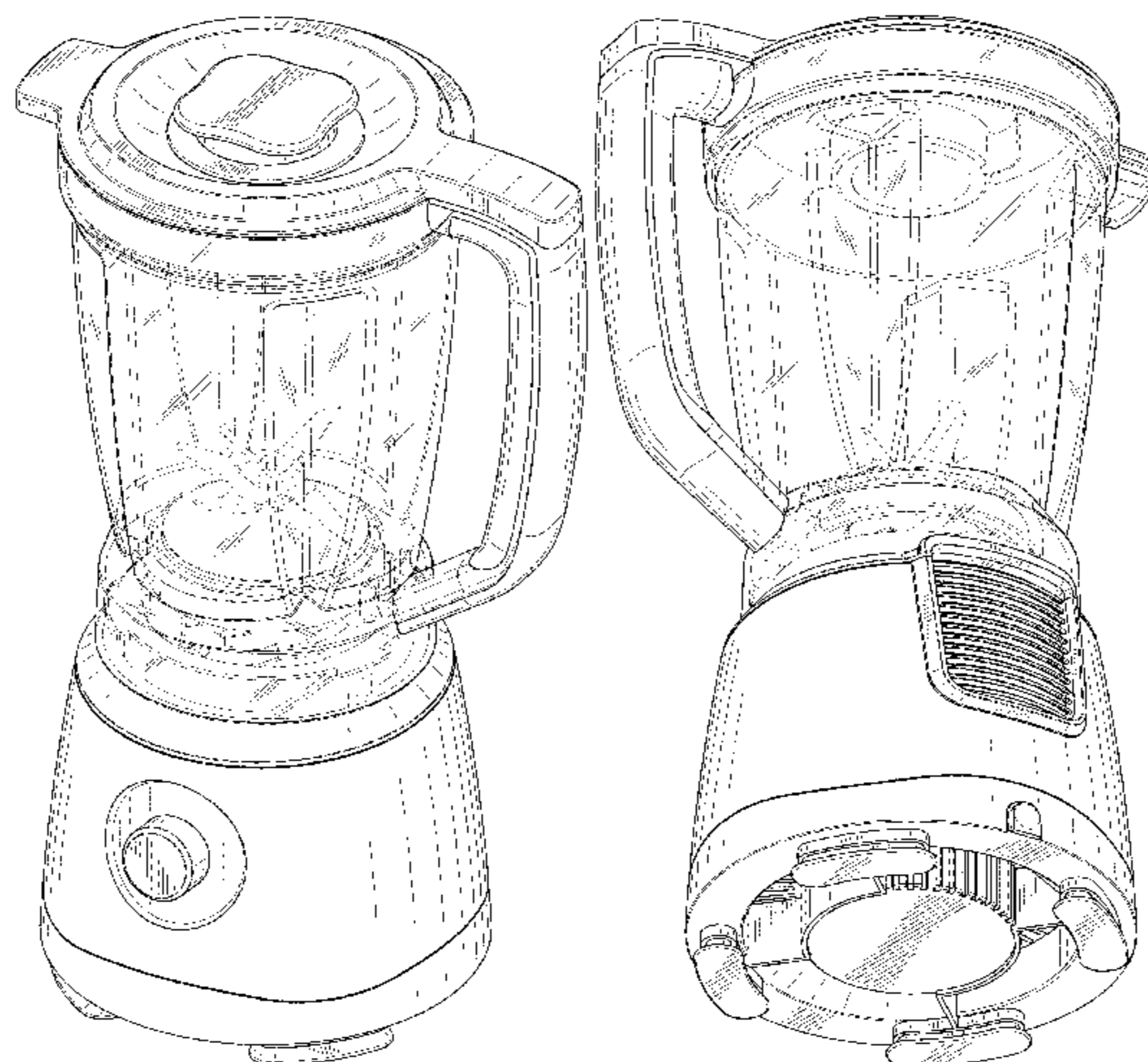


FIG. 26 is a bottom perspective view of the blender pitcher container and container lid of FIG. 25;
 FIG. 27 is a front view of the blender pitcher container and container lid of FIG. 1;
 FIG. 28 is a rear view of the blender pitcher container and container lid of FIG. 1;
 FIG. 29 is a left side view of the blender pitcher container and container lid of FIG. 1;
 FIG. 30 is a right side view of the blender pitcher container and container lid of FIG. 1;
 FIG. 31 is a top view of the blender pitcher container and container lid of FIG. 25; and,
 FIG. 32 is a bottom view of the blender pitcher container and container lid of FIG. 25.

Any broken lines, shown throughout in the drawing figures, are included for the purpose of illustrating environmental structures and form no part of the claimed design.

1 Claim, 21 Drawing Sheets

(58) **Field of Classification Search**

CPC A21C 1/02; A21C 1/04; A23N 1/00; A23N 1/02; A47J 43/04; A47J 43/25; A47J

43/27; A47J 43/042; A47J 43/044; A47J 43/046; A47J 43/075; A47J 43/0722; A47J 43/0727; A47J 45/08; B01F 3/00; B01F 3/0807; B01F 3/0853; B01F 13/0059; B01F 13/0064; B02C 1/08; B02C 2/04; B02C 4/42; B02C 4/142; B02C 4/143; B02C 4/423; B02C 13/1835; B28C 5/10; B28C 5/12; B28C 5/14; B28C 5/16

See application file for complete search history.

(56)

References Cited

U.S. PATENT DOCUMENTS

D543,072	S	*	5/2007	Ting	D7/378
D613,547	S	*	4/2010	Day	D7/378
D742,683	S	*	11/2015	Kim	D7/386
D749,893	S	*	2/2016	Bazzicalupo	D7/378
D759,424	S	*	6/2016	Ou	D7/378
D782,865	S	*	4/2017	Bazzicalupo	D7/378
D784,071	S	*	4/2017	Davies	D7/386
D838,539	S	*	1/2019	Shin	D7/378
D897,758	S	*	10/2020	Finnance	D7/378
D904,822	S	*	12/2020	Koszylko	D7/386
2019/0117013	A1	*	4/2019	Kim	A47J 45/08

* cited by examiner



FIG. 1

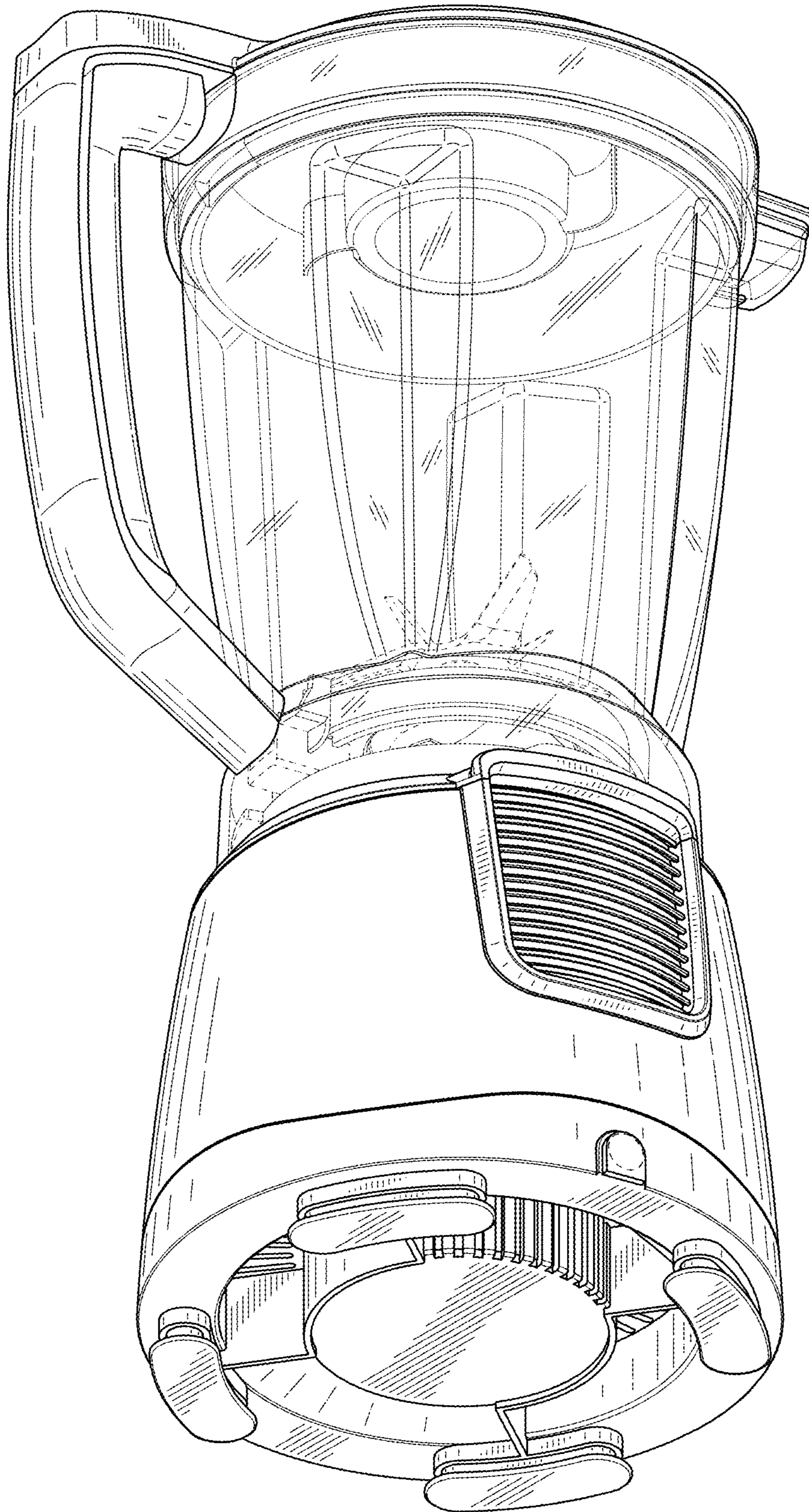


FIG. 2

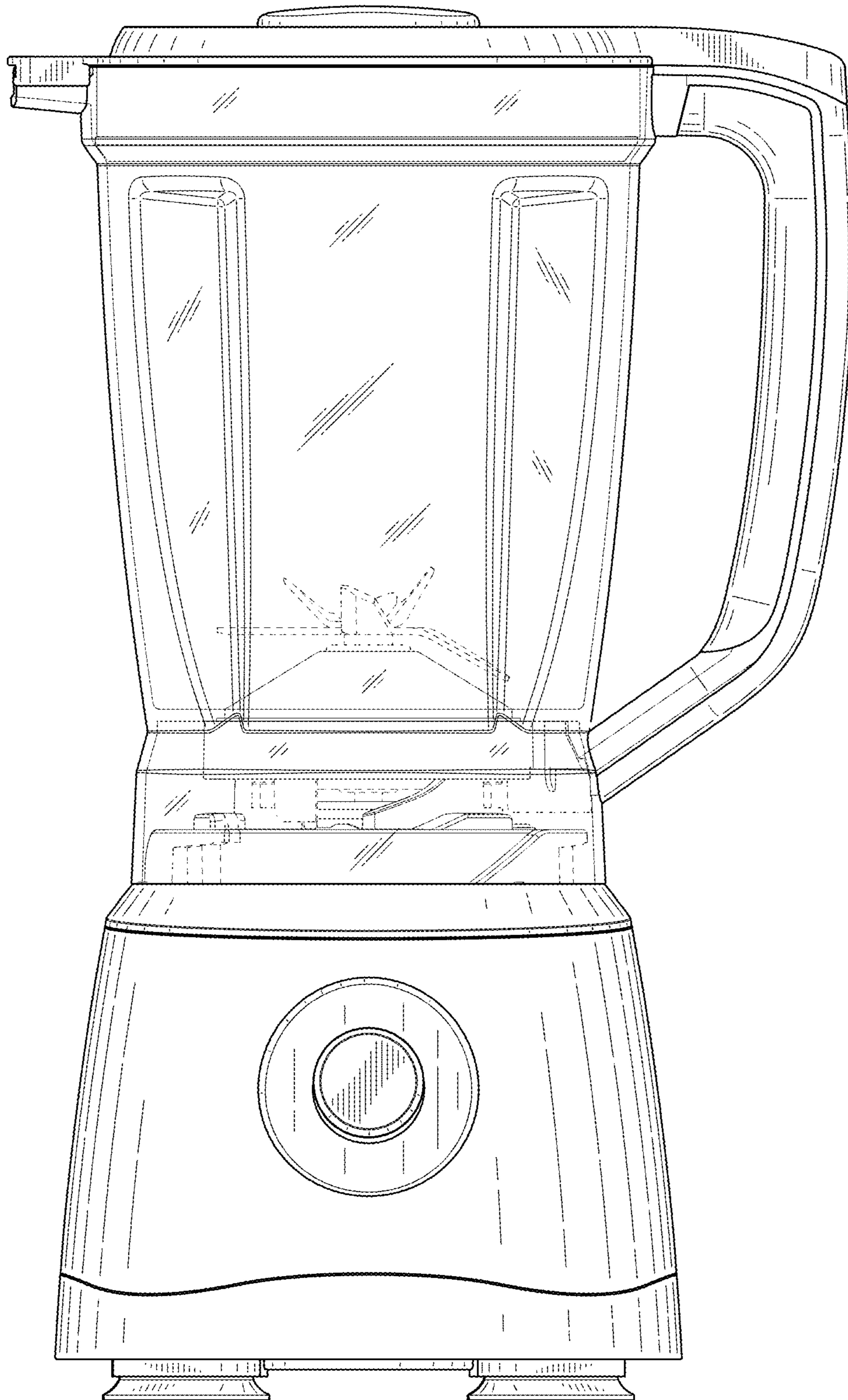


FIG. 3

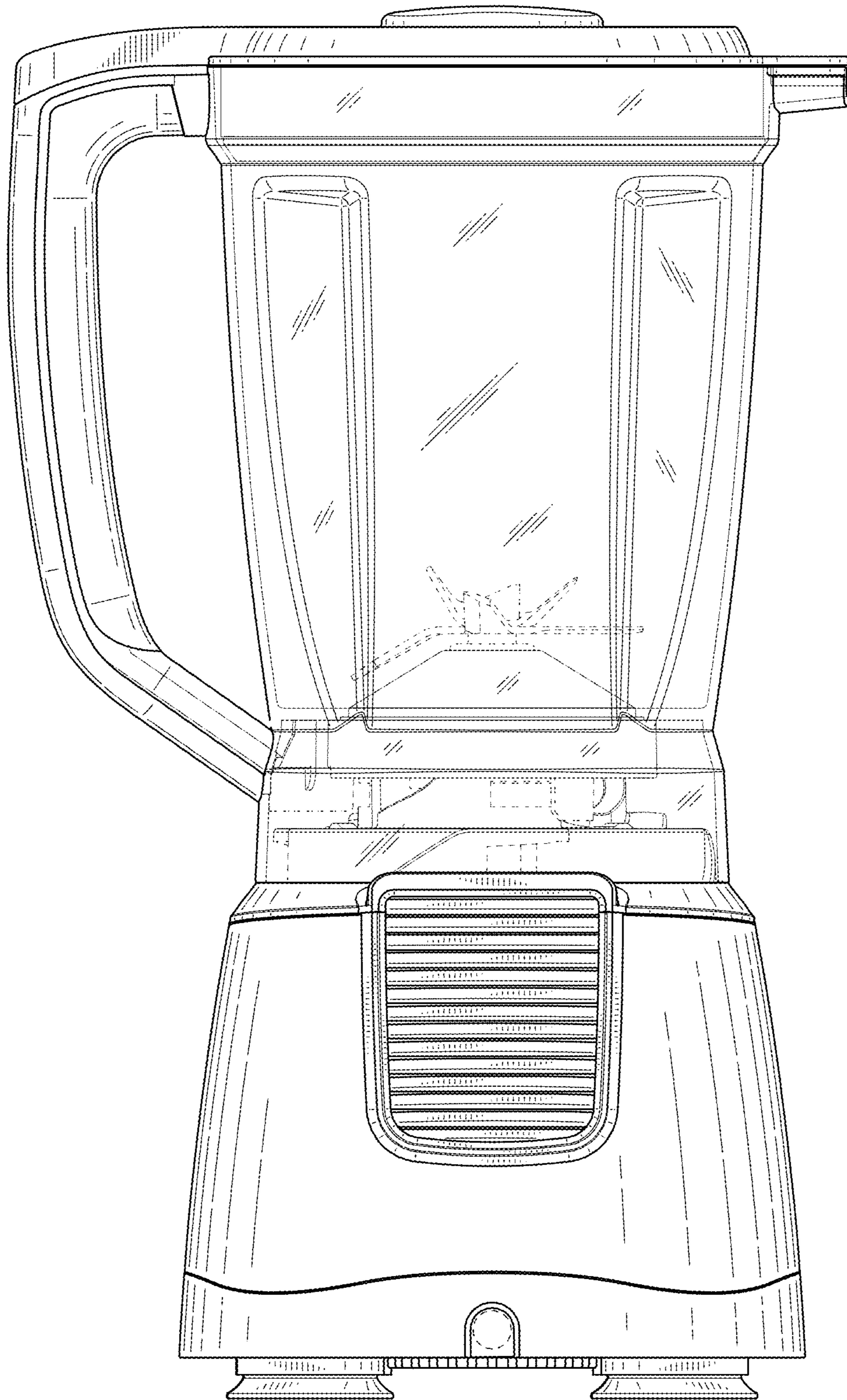


FIG. 4

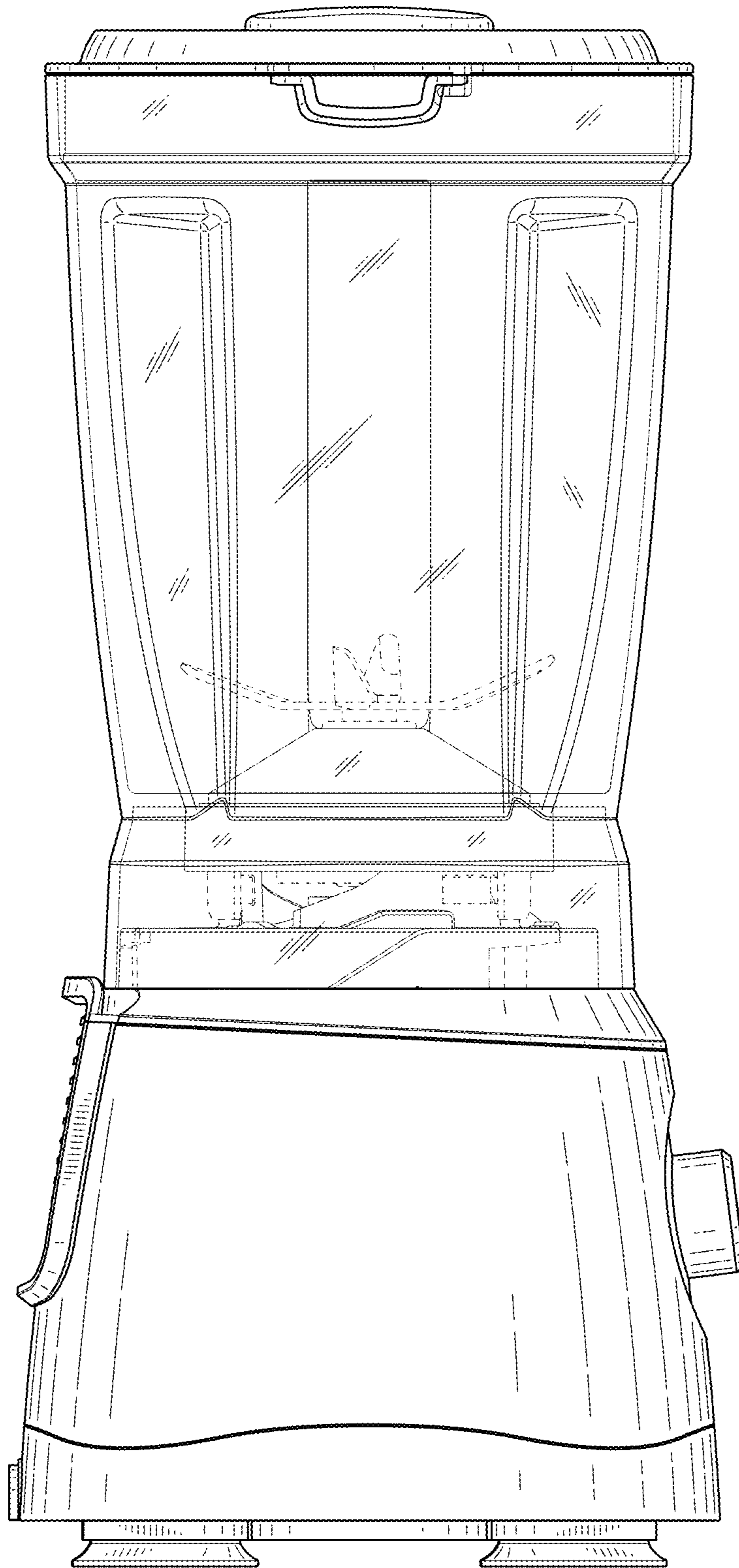


FIG. 5

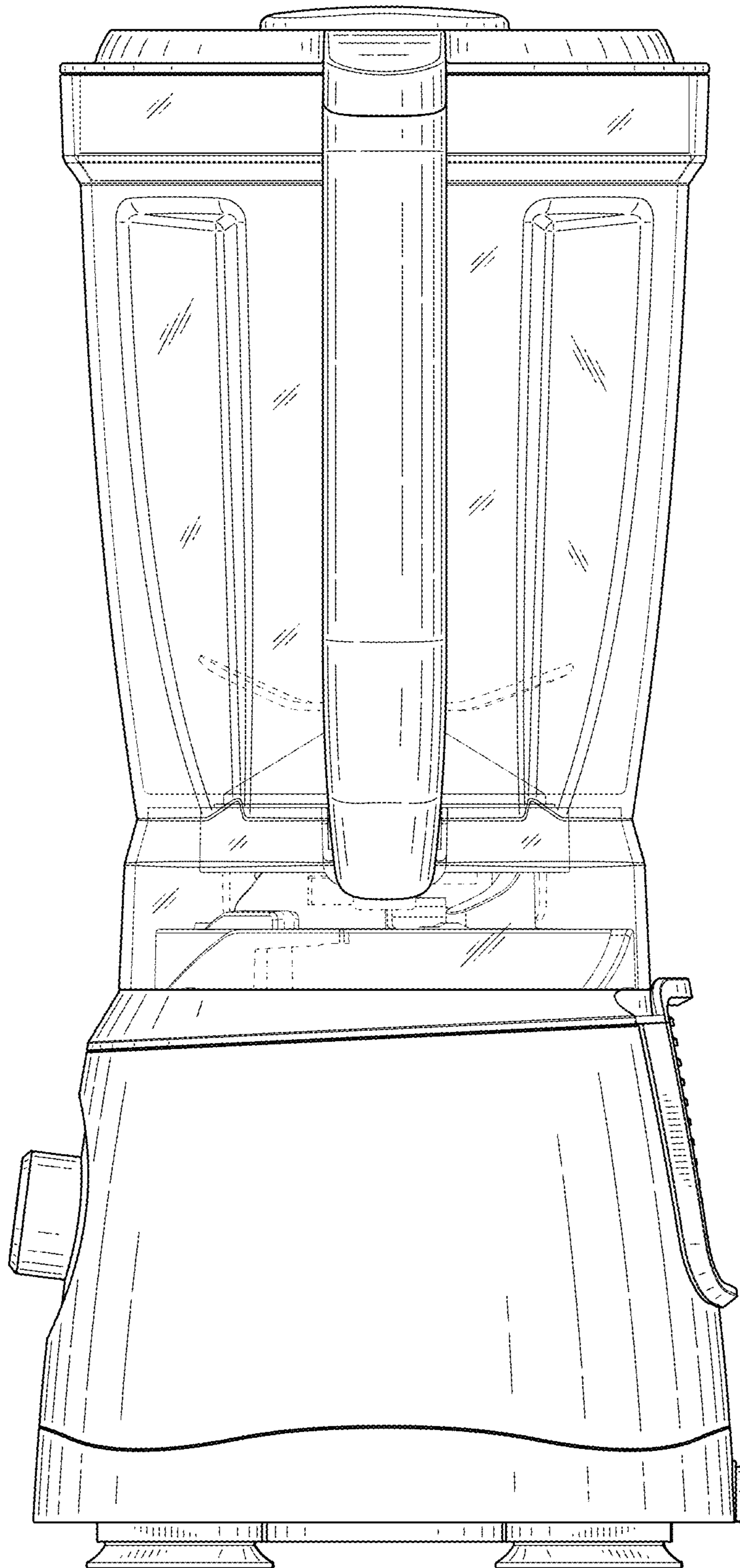


FIG. 6

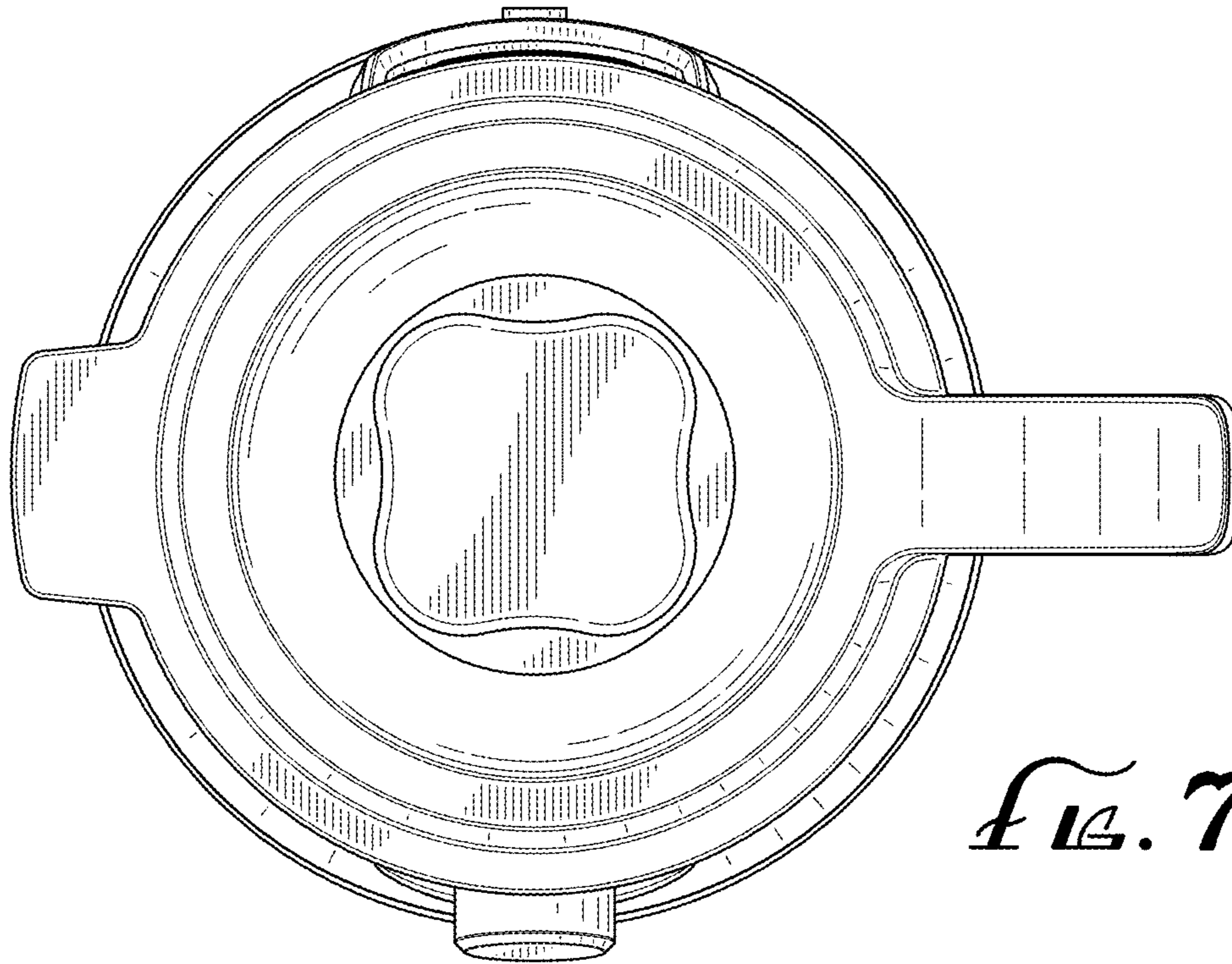


FIG. 7

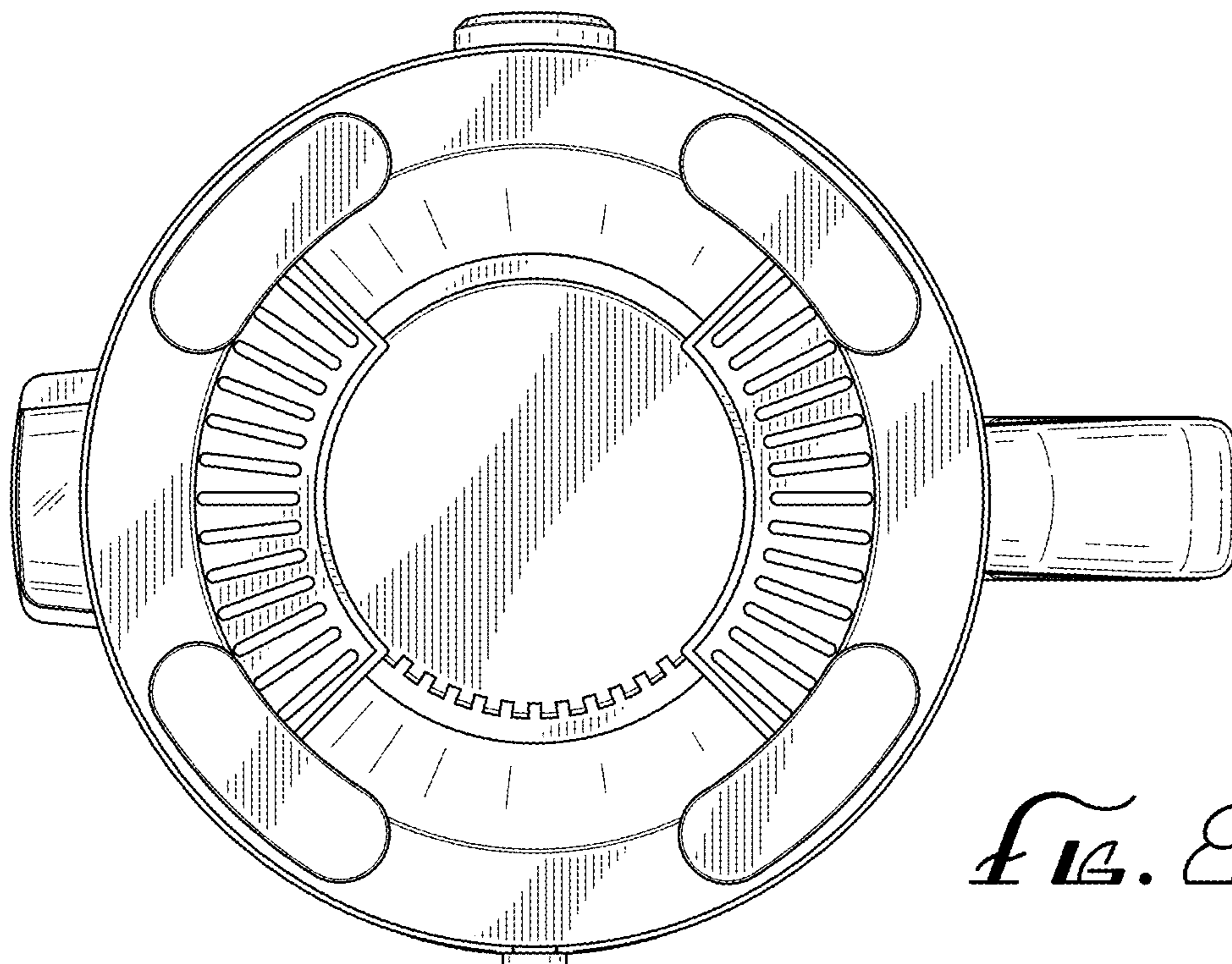


FIG. 8

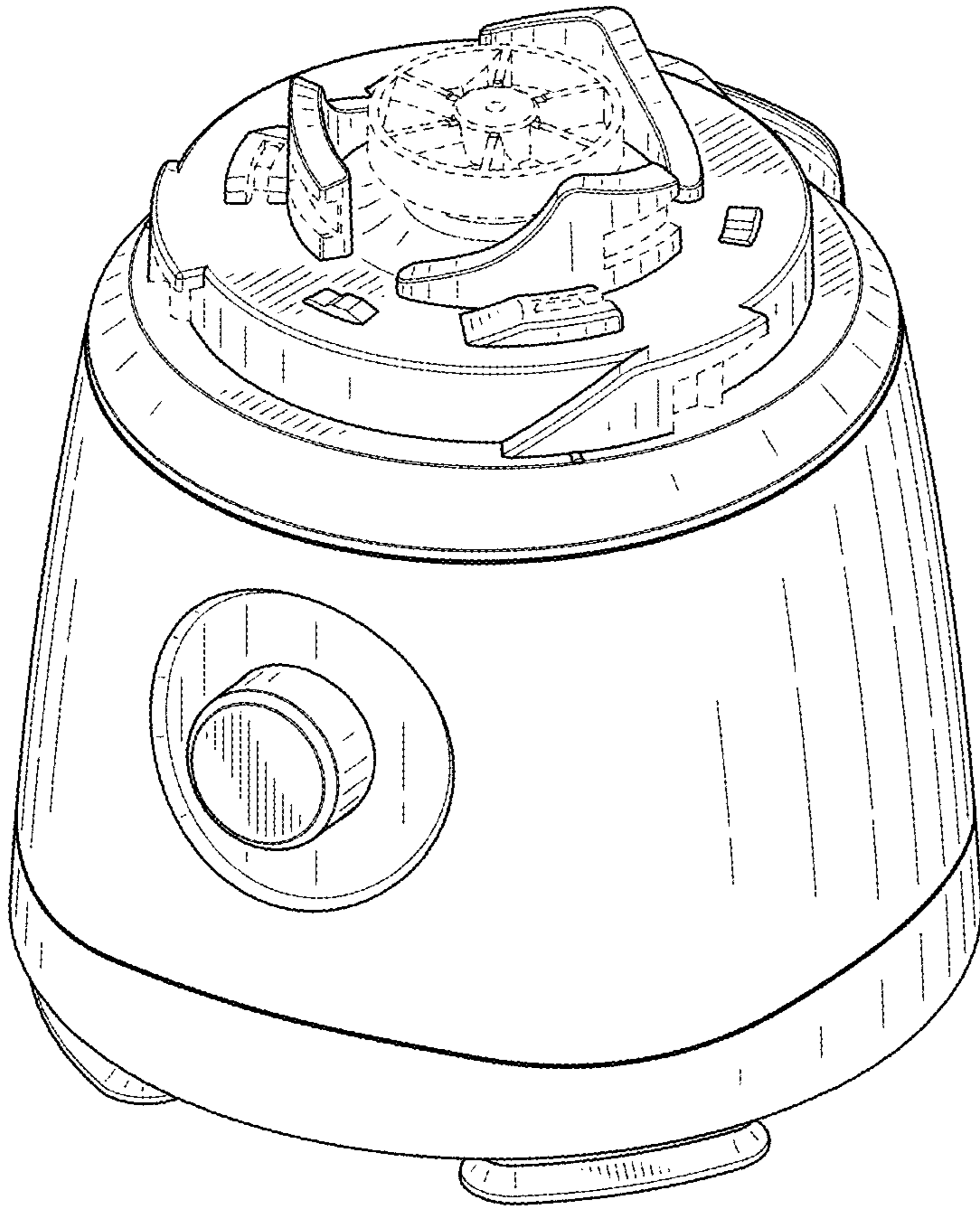


FIG. 9

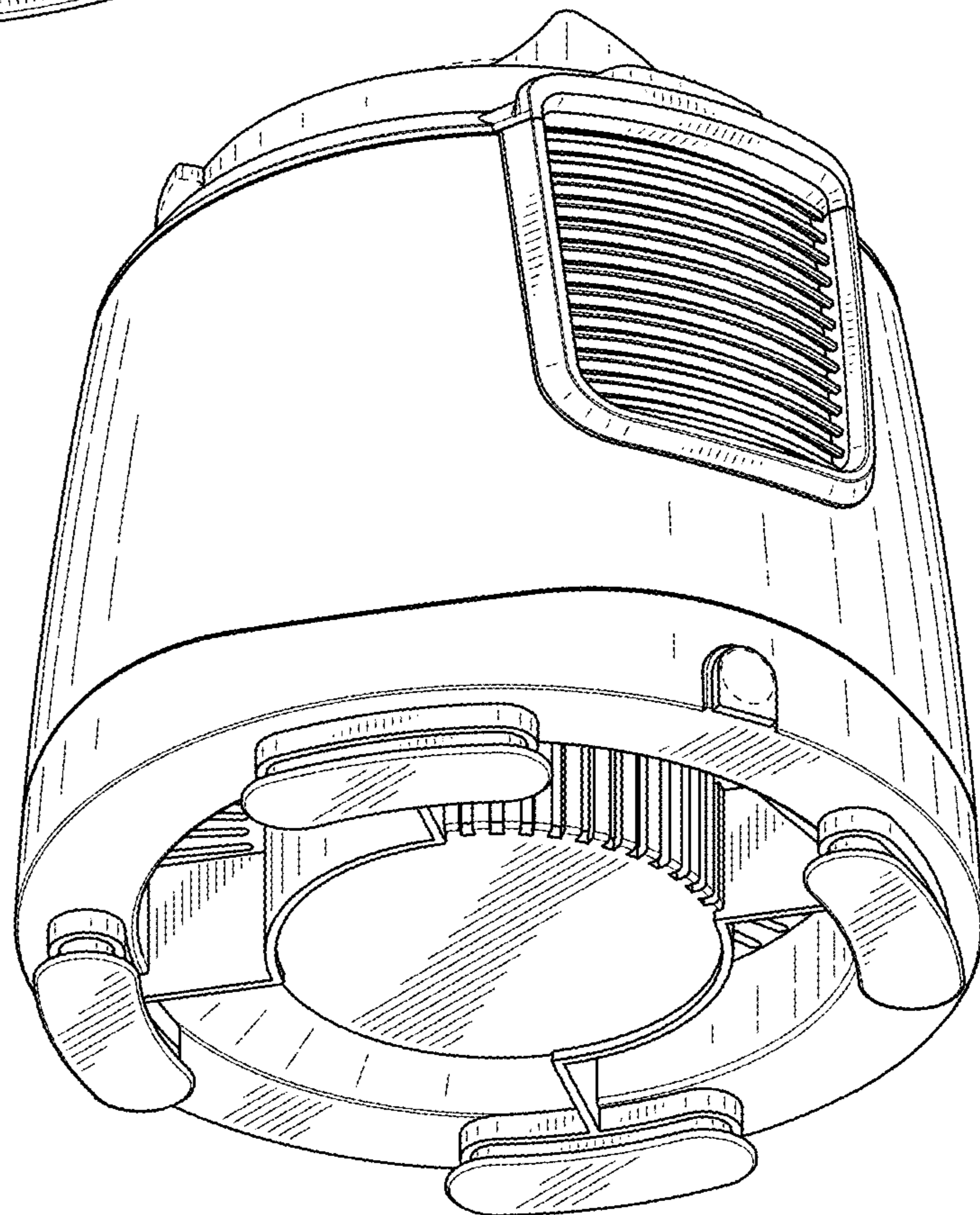


FIG. 10

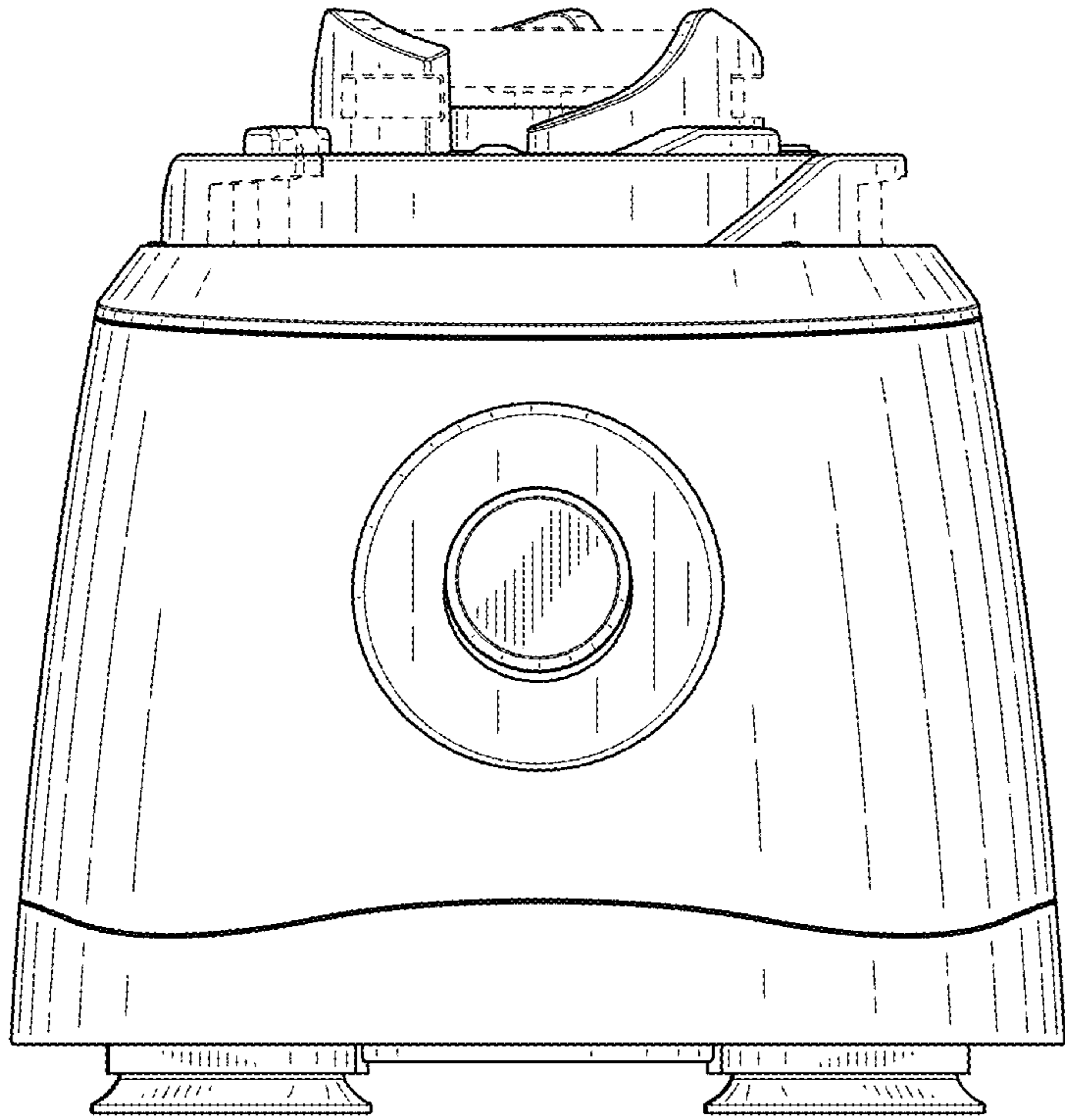


FIG. 11

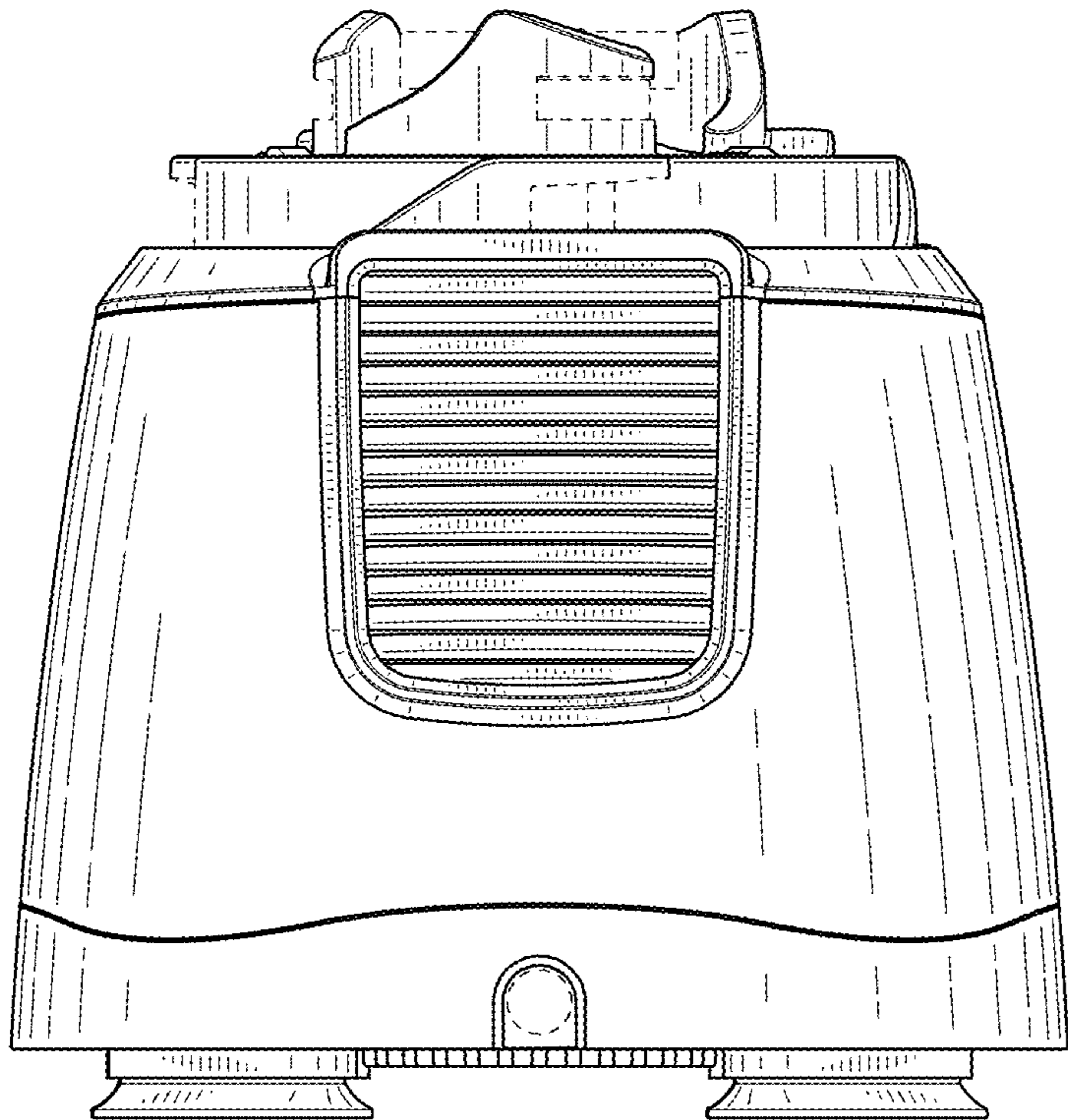


FIG. 12

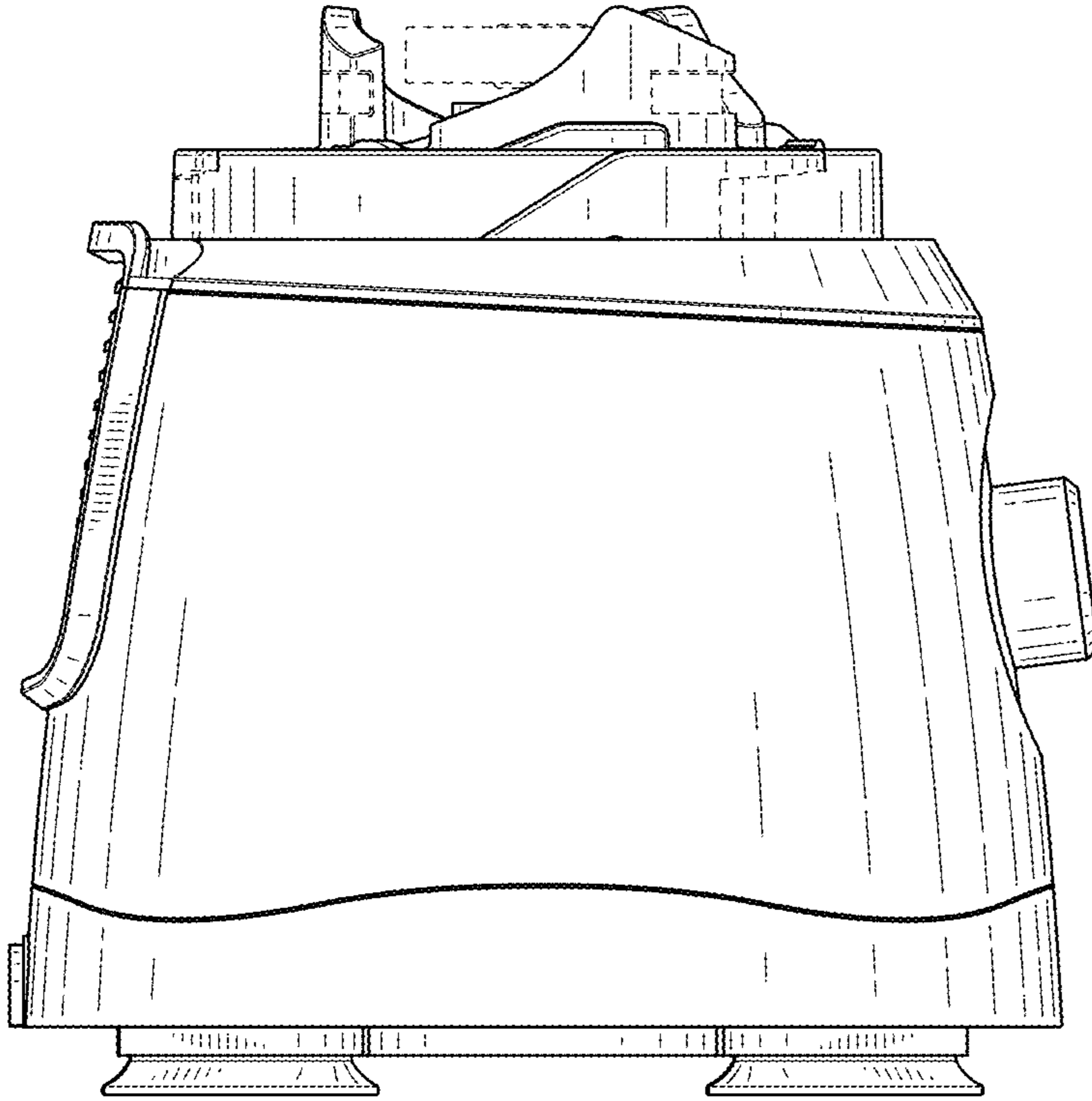


FIG. 13

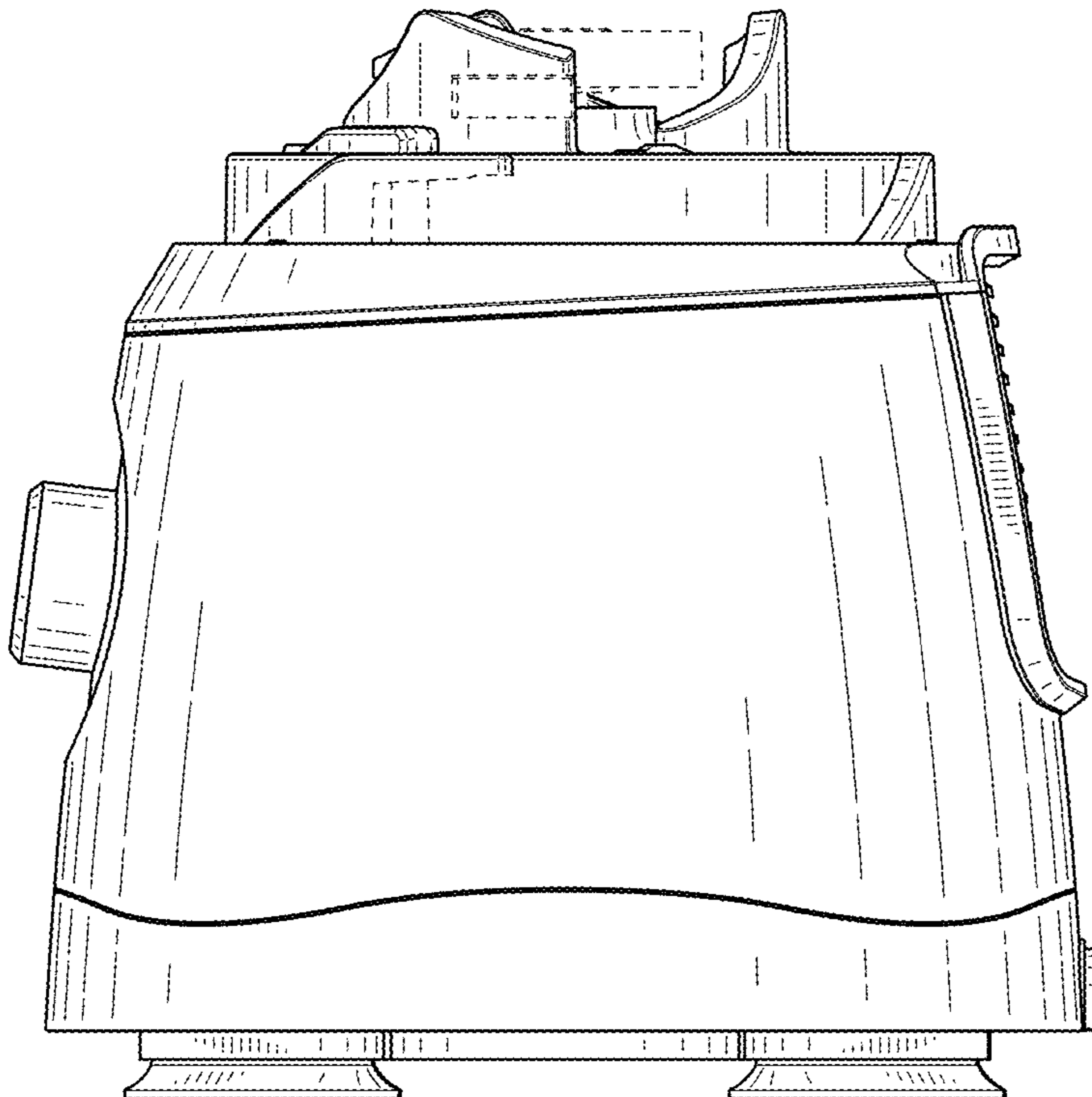


FIG. 14

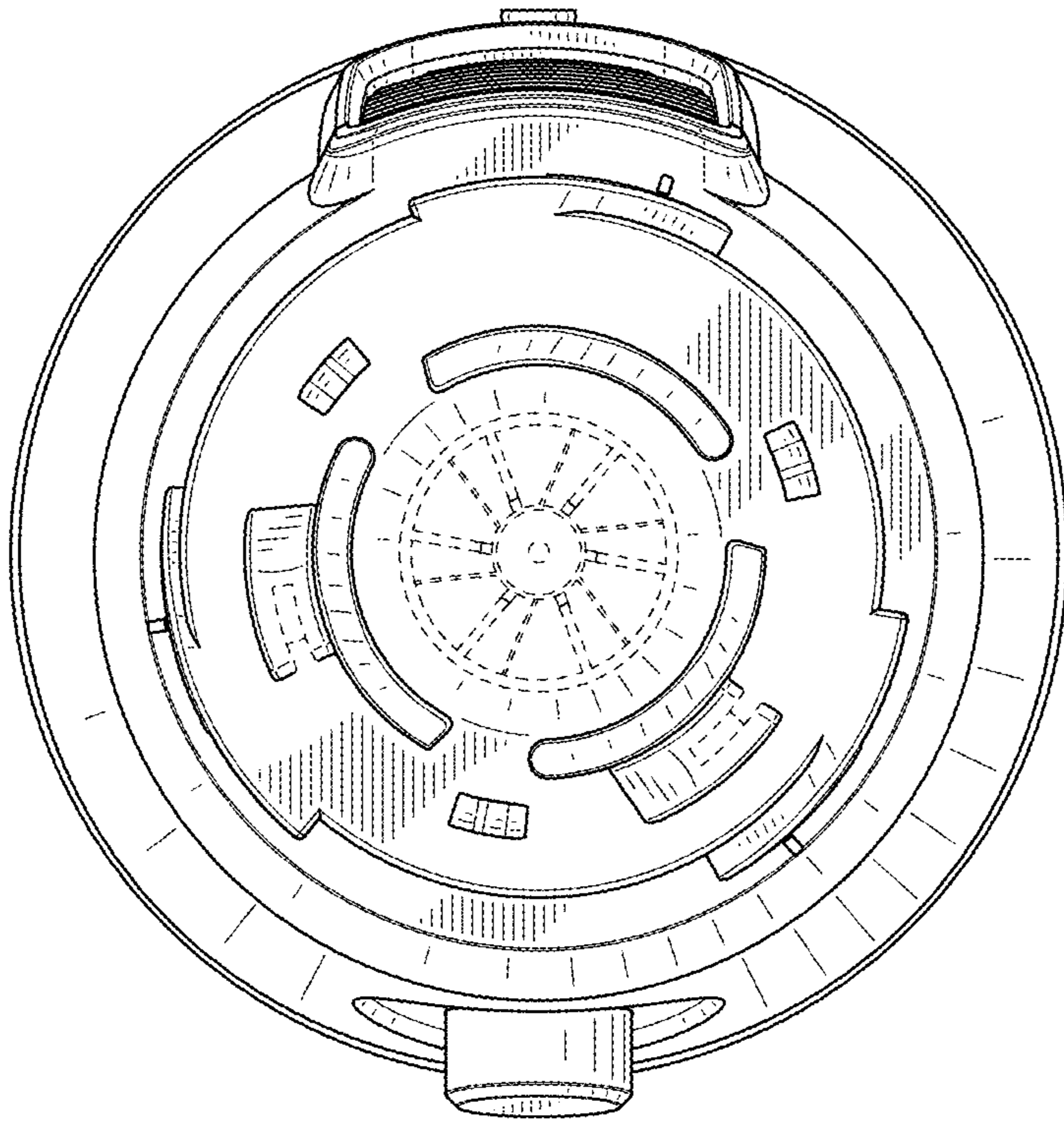


Fig. 15

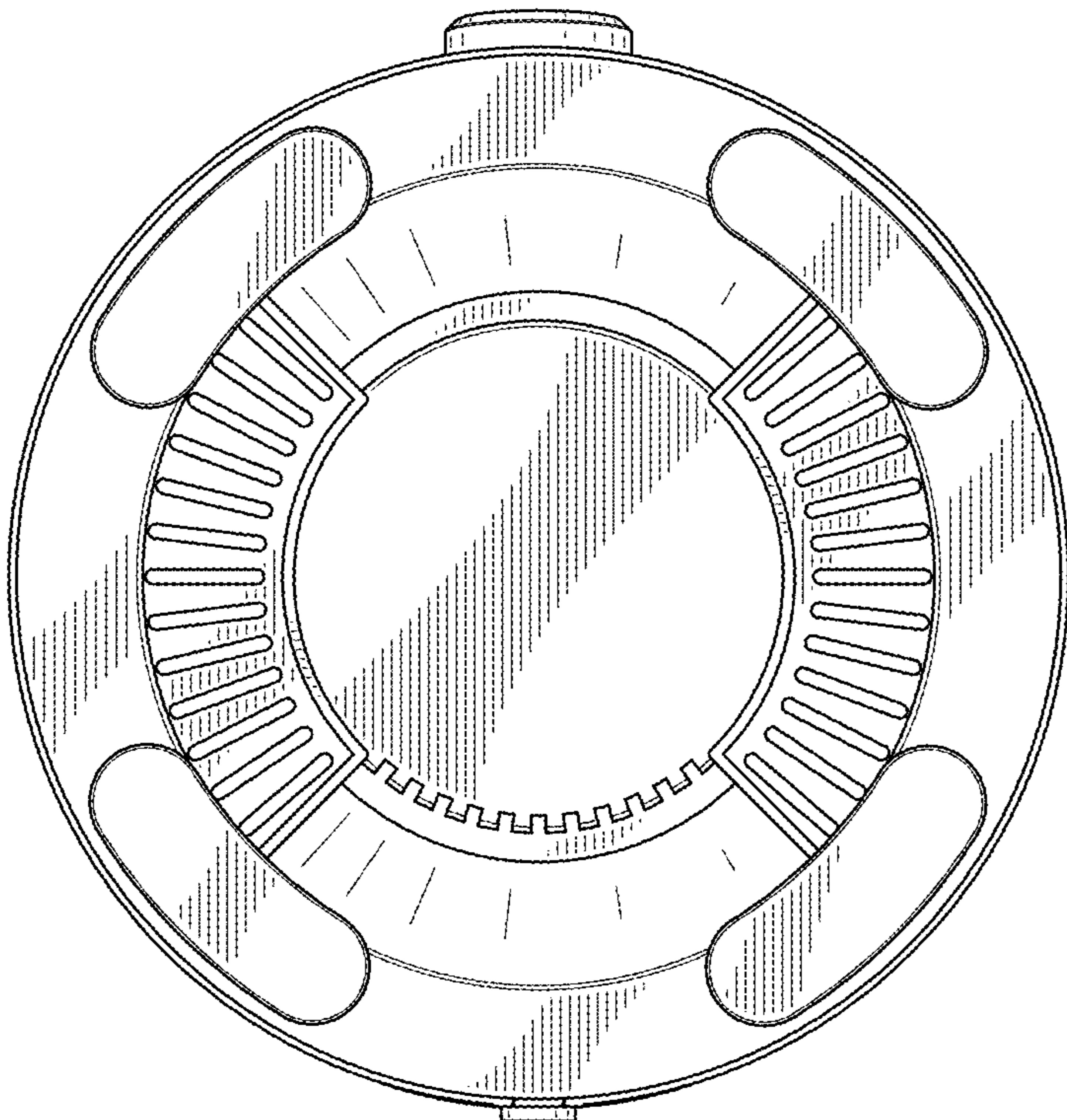


Fig. 16

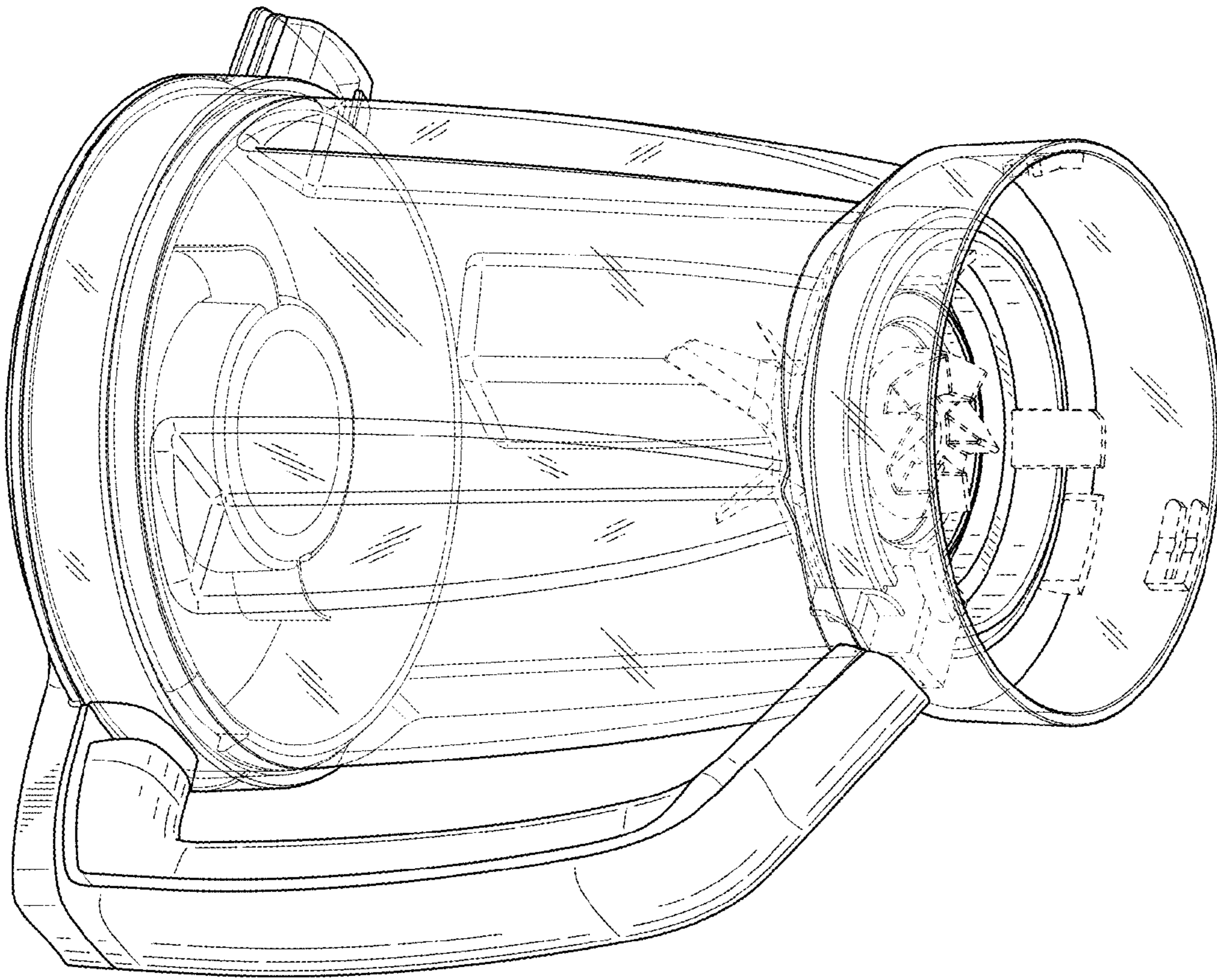


FIG. 18

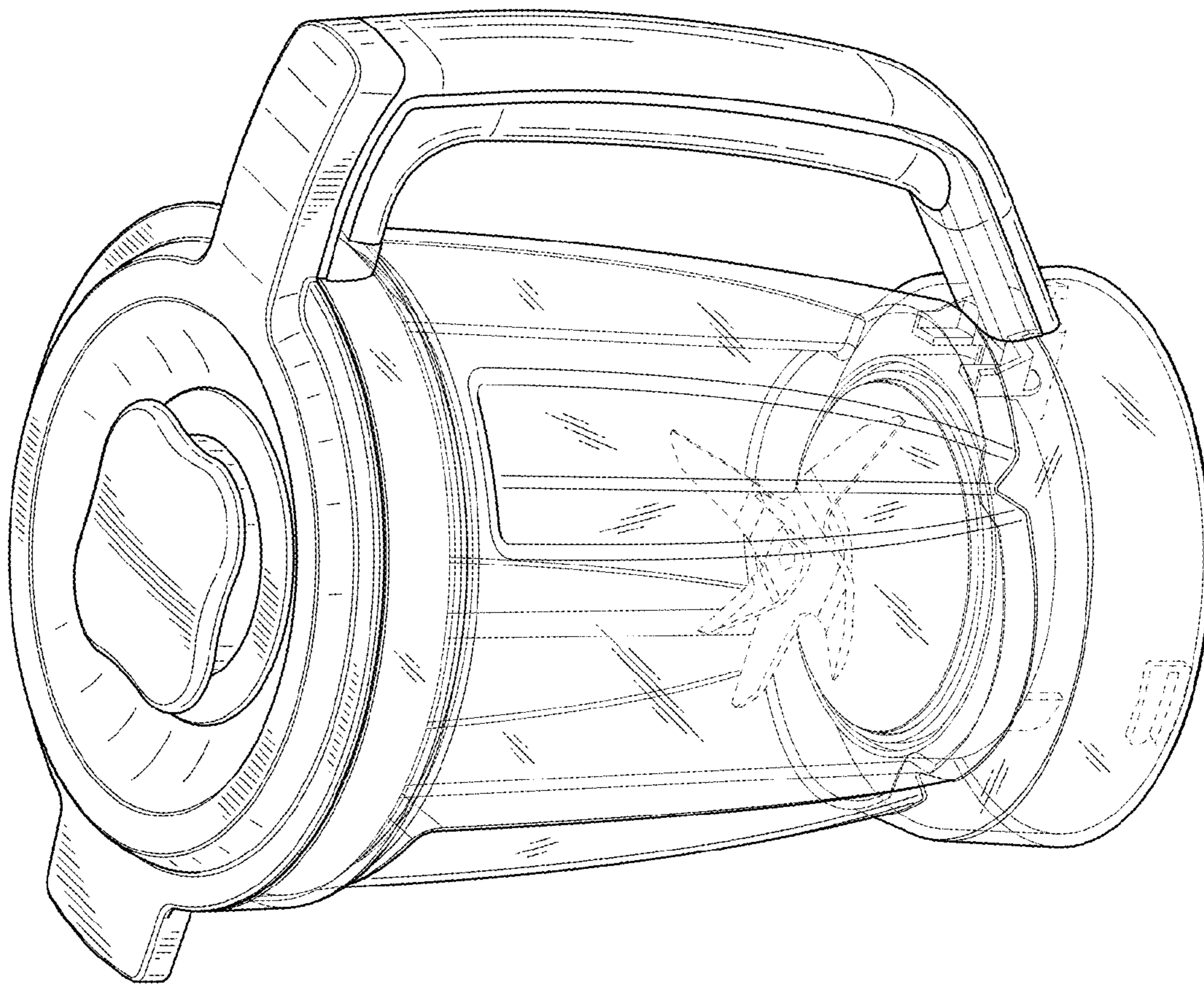


FIG. 17

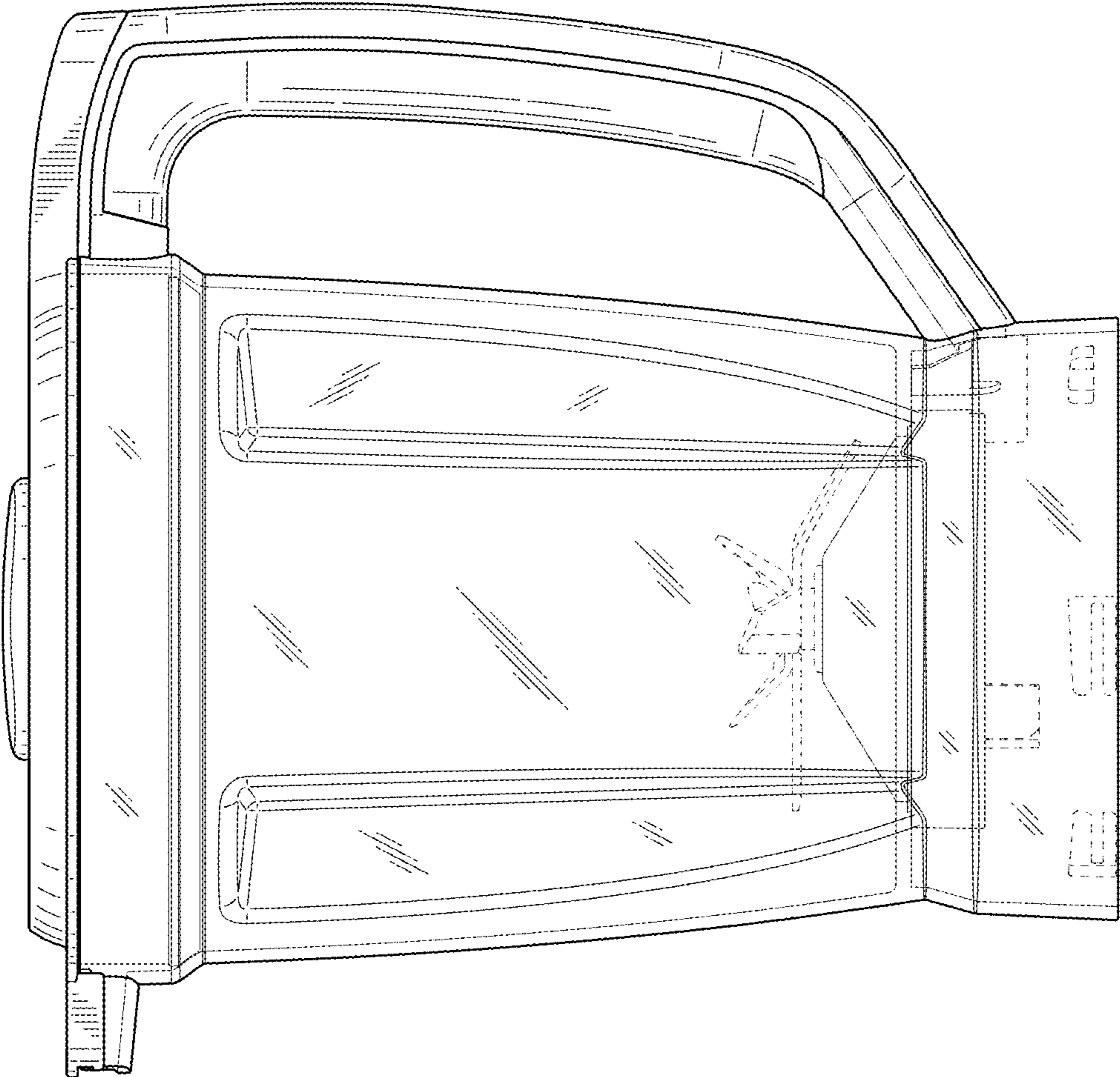


FIG. 10

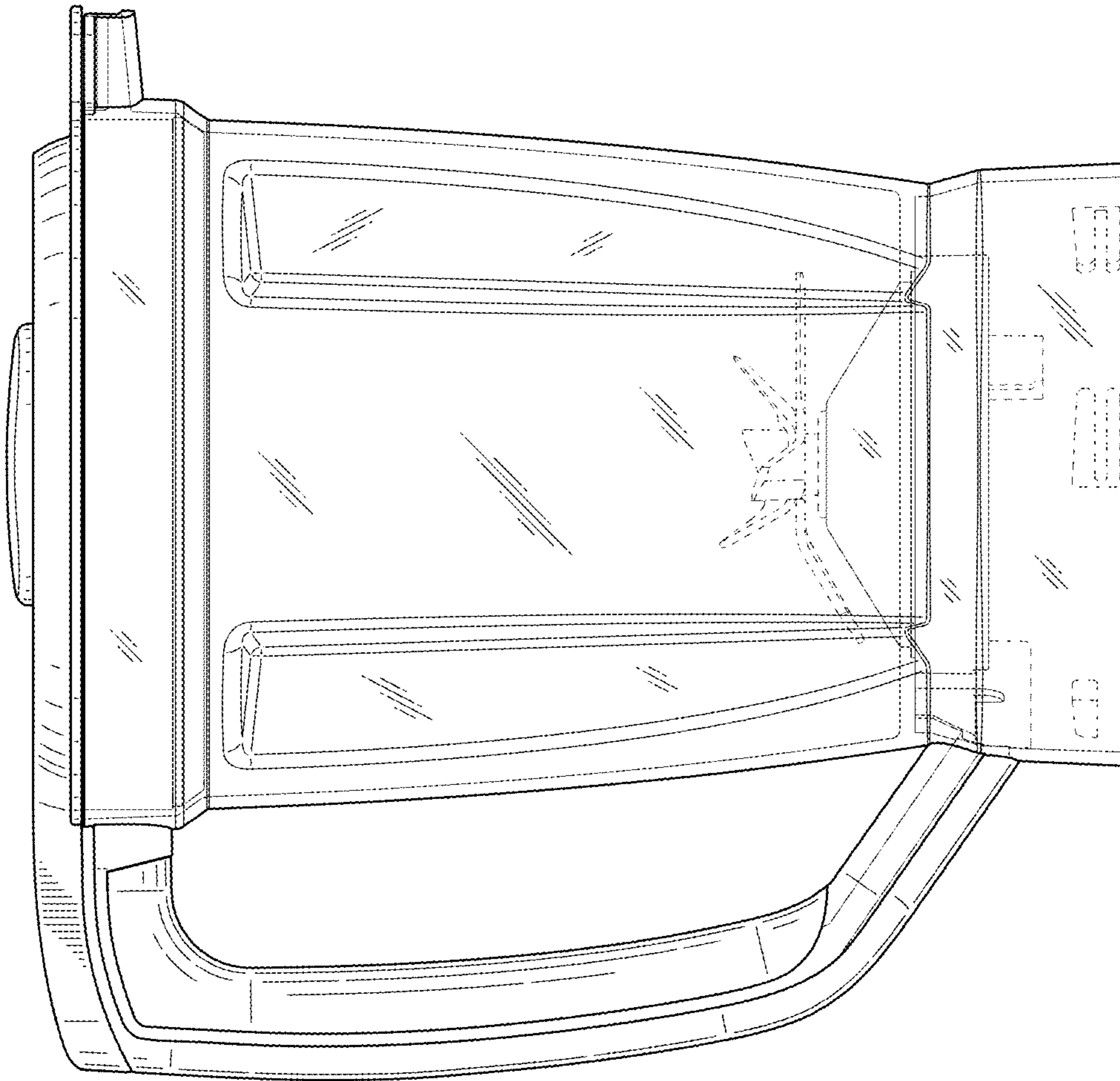


FIG. 20

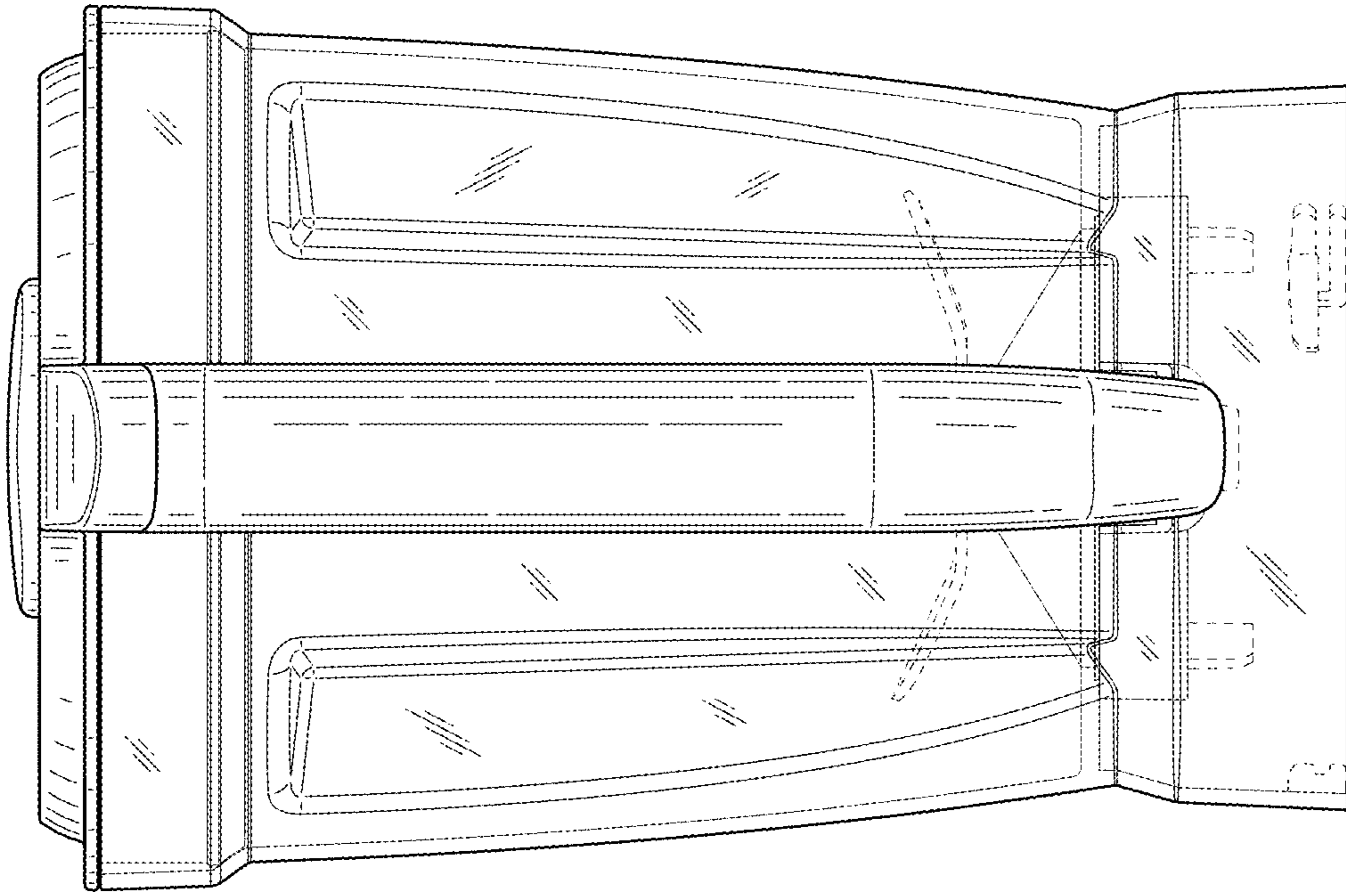


Fig. 22

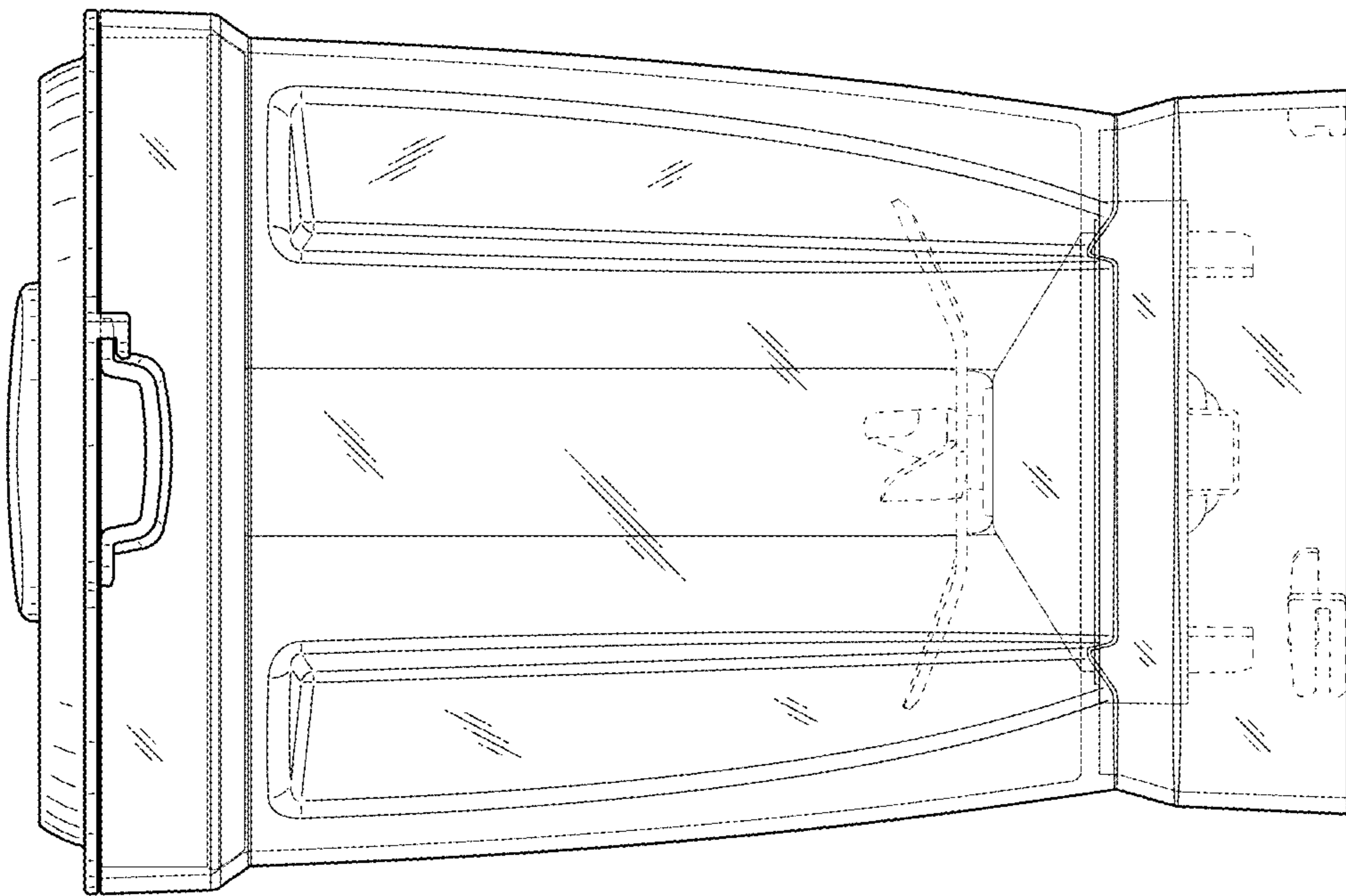


Fig. 21

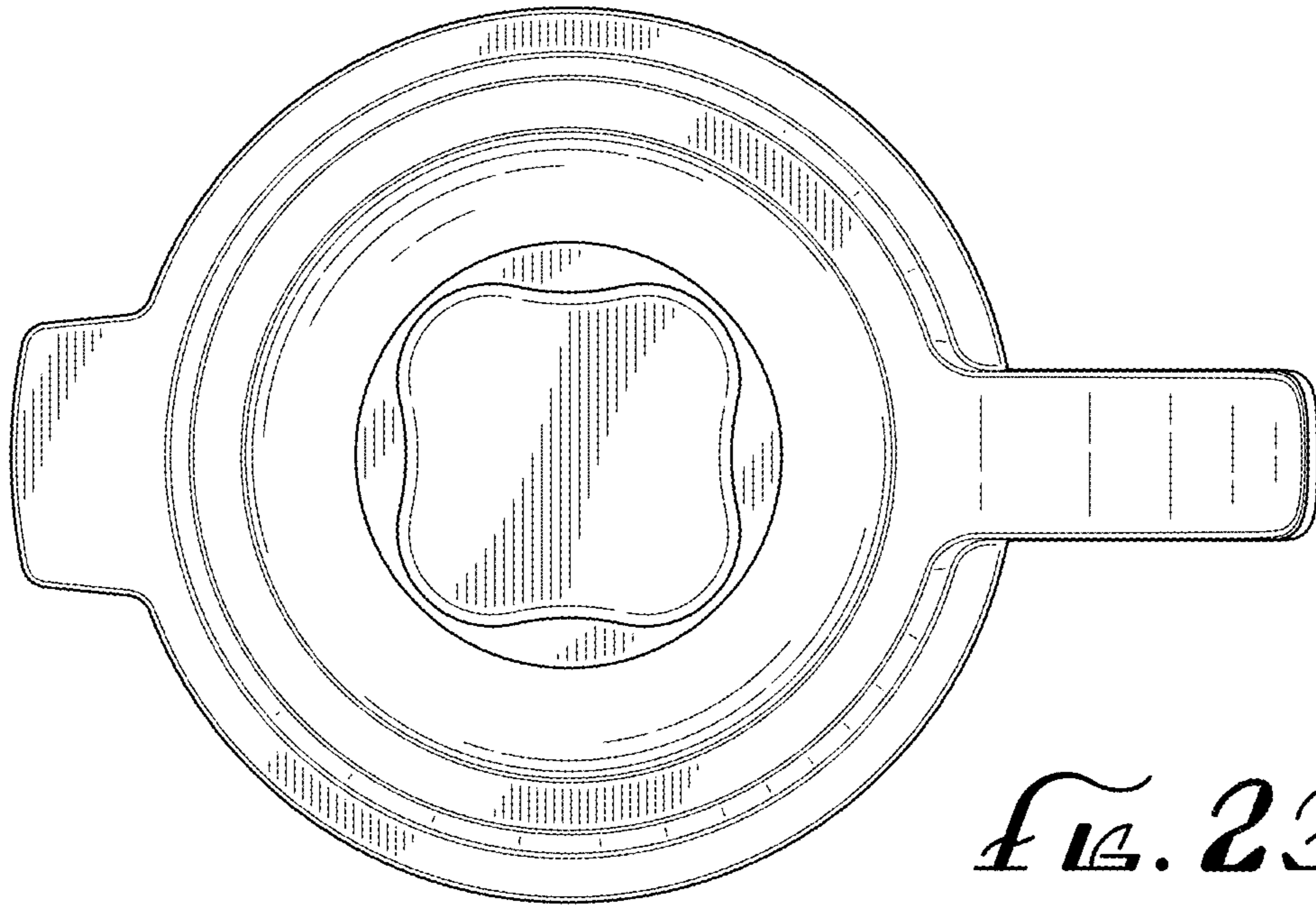


FIG. 23

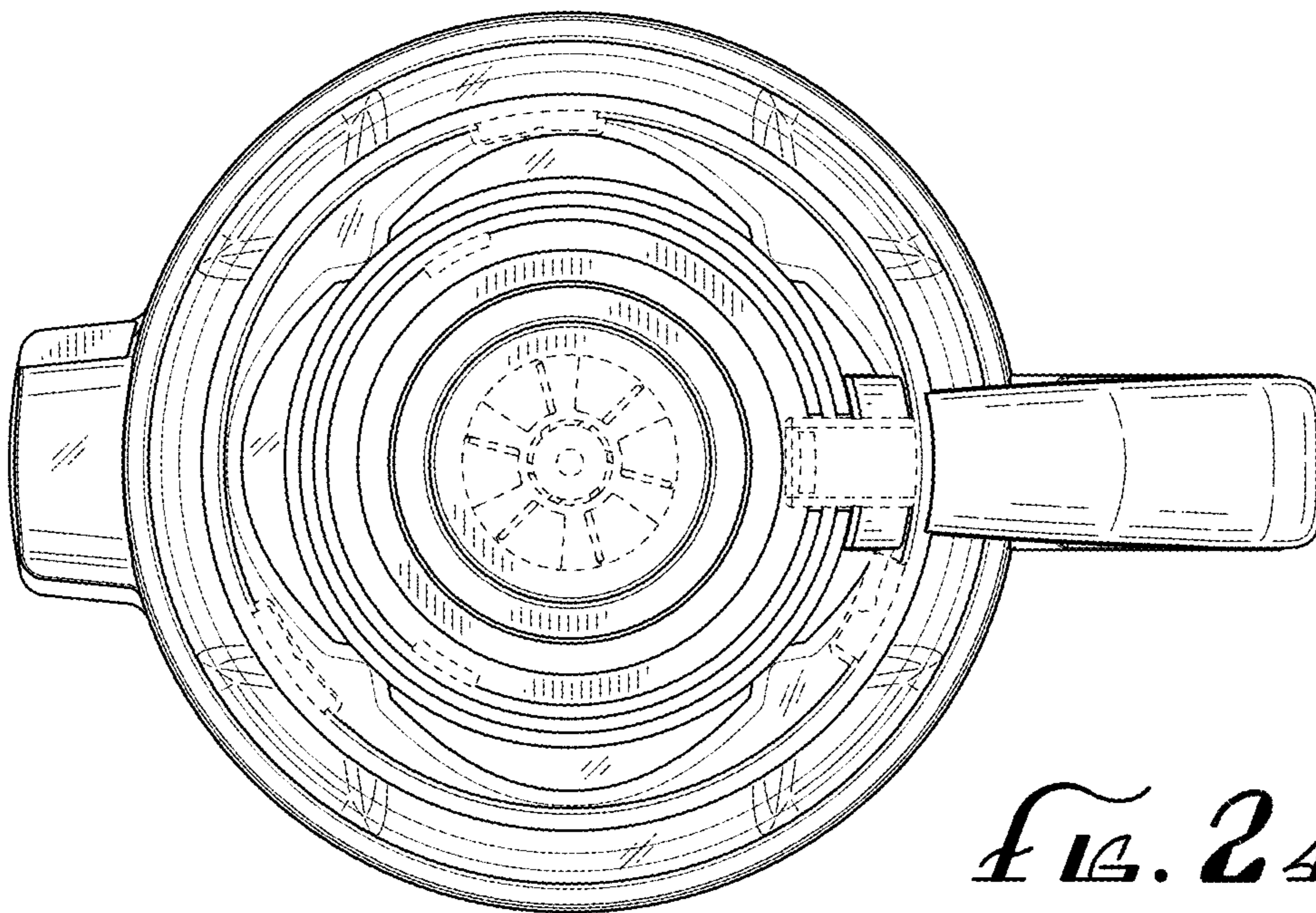


FIG. 24

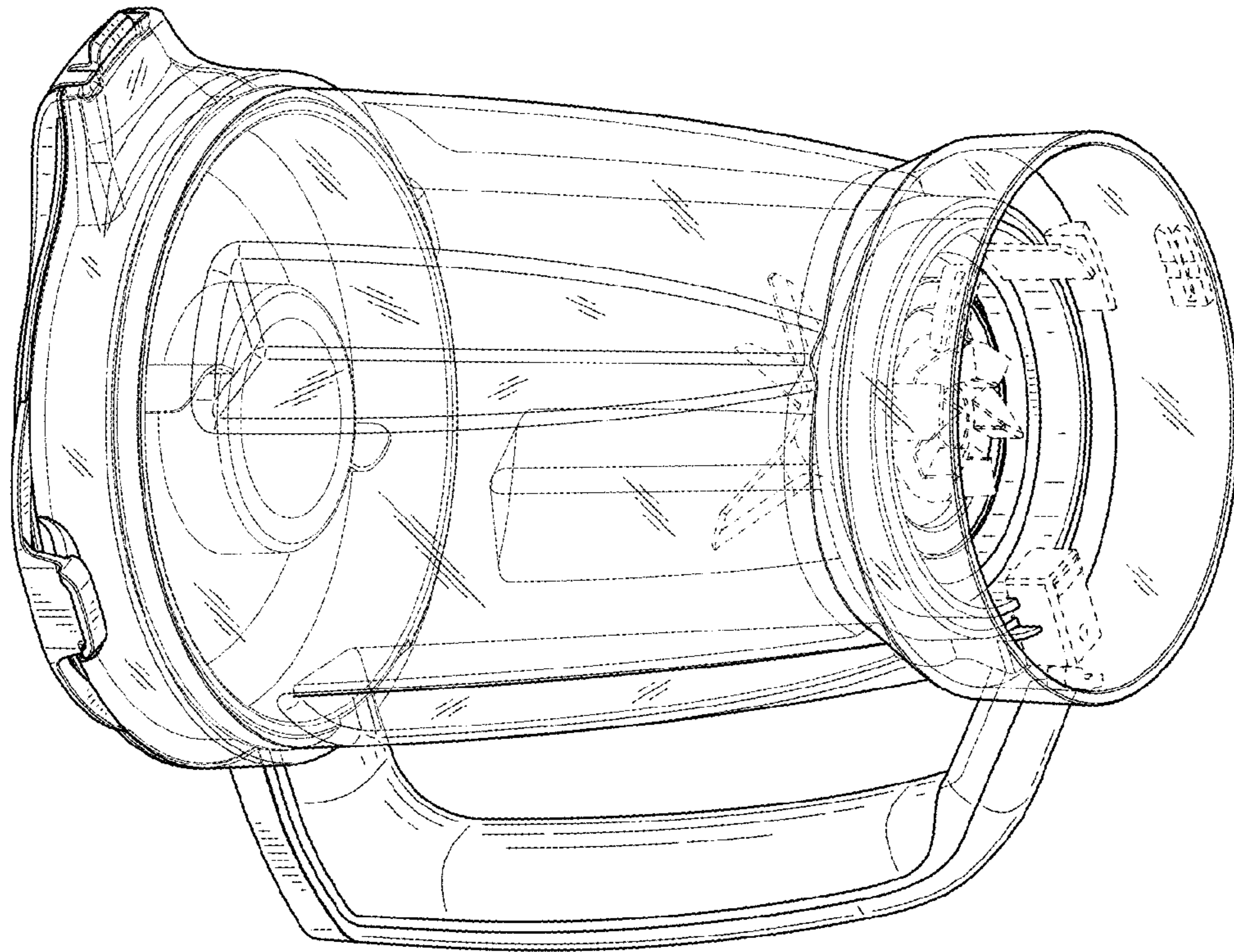


FIG. 20

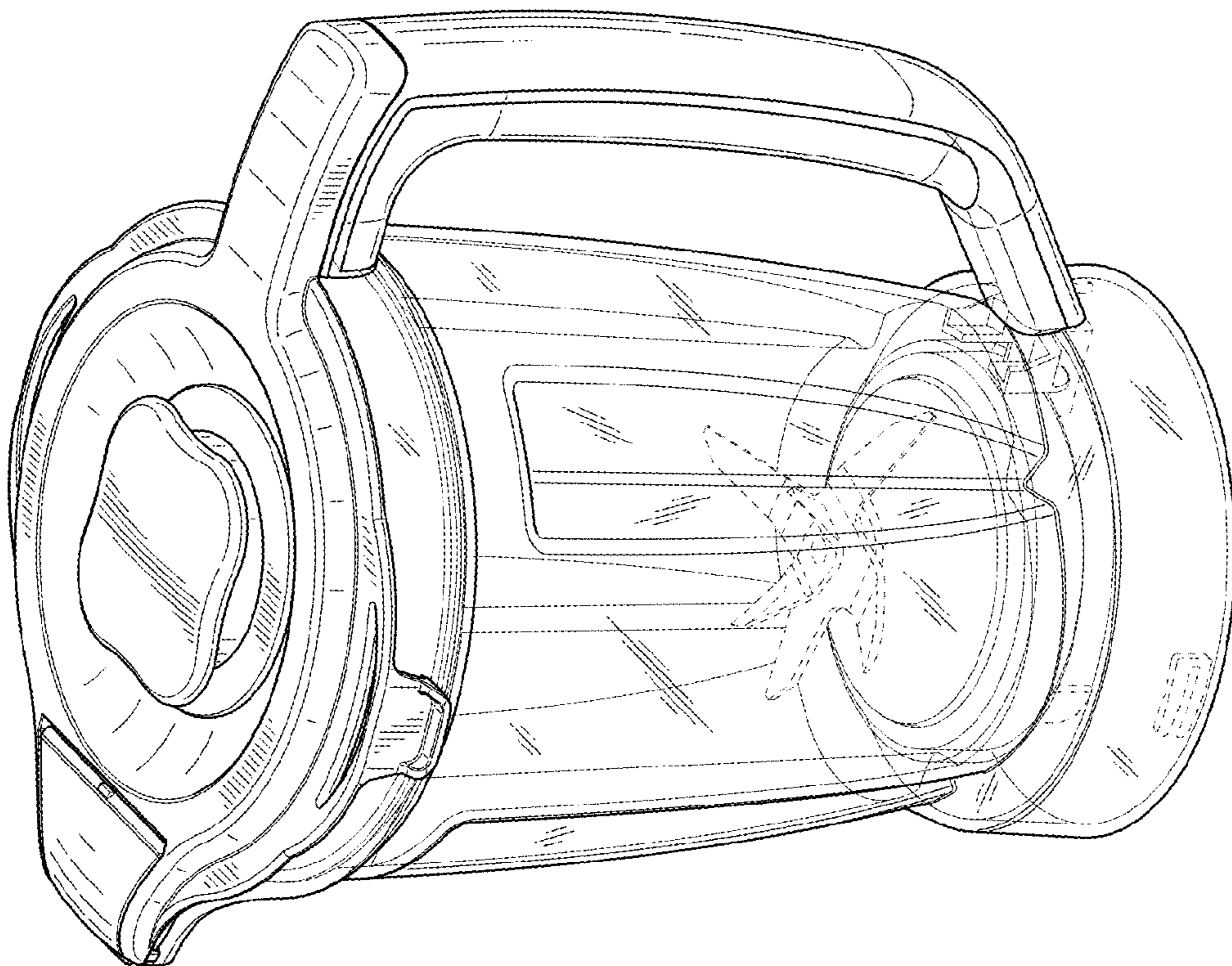


FIG. 25

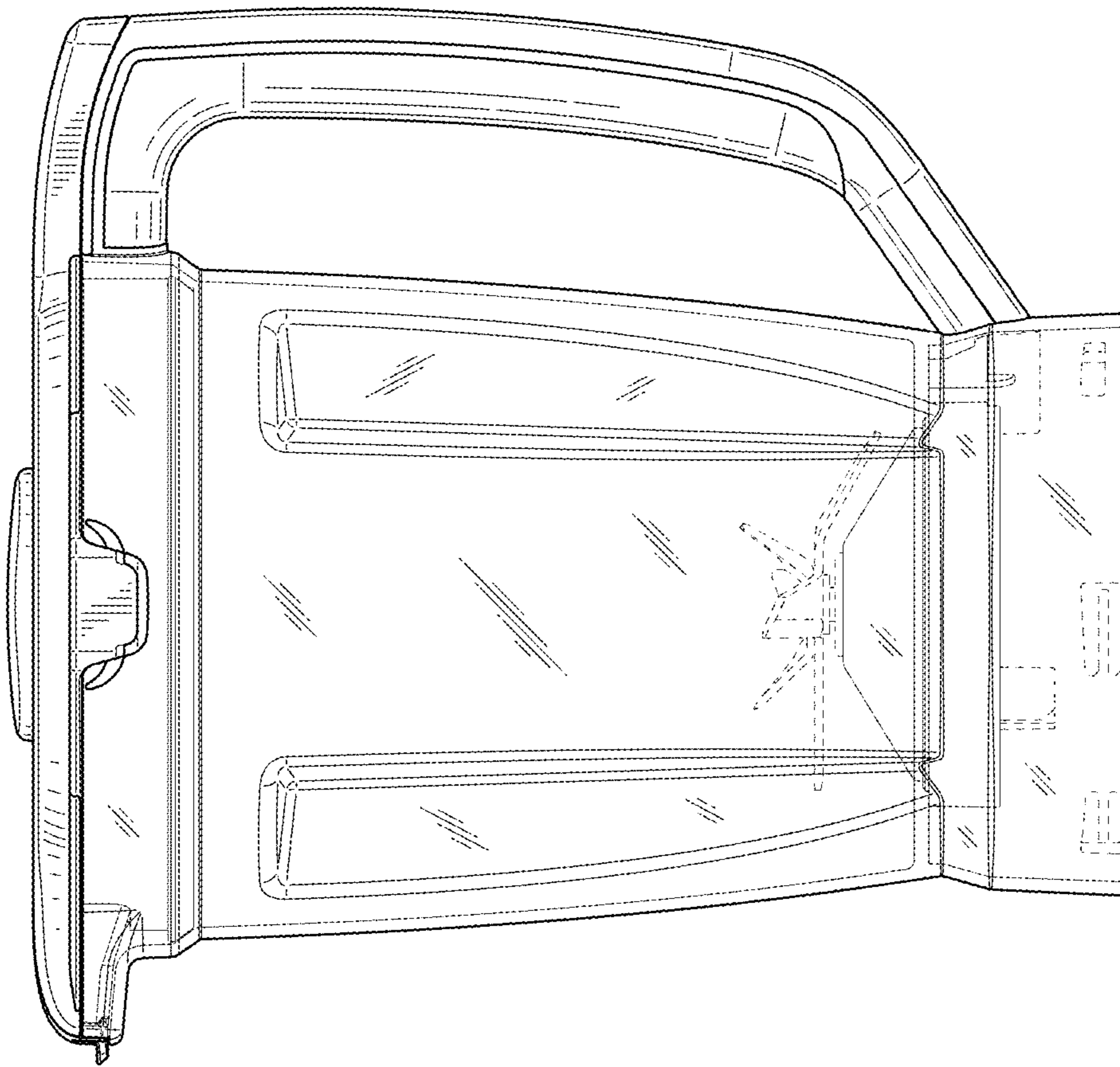


FIG. 27

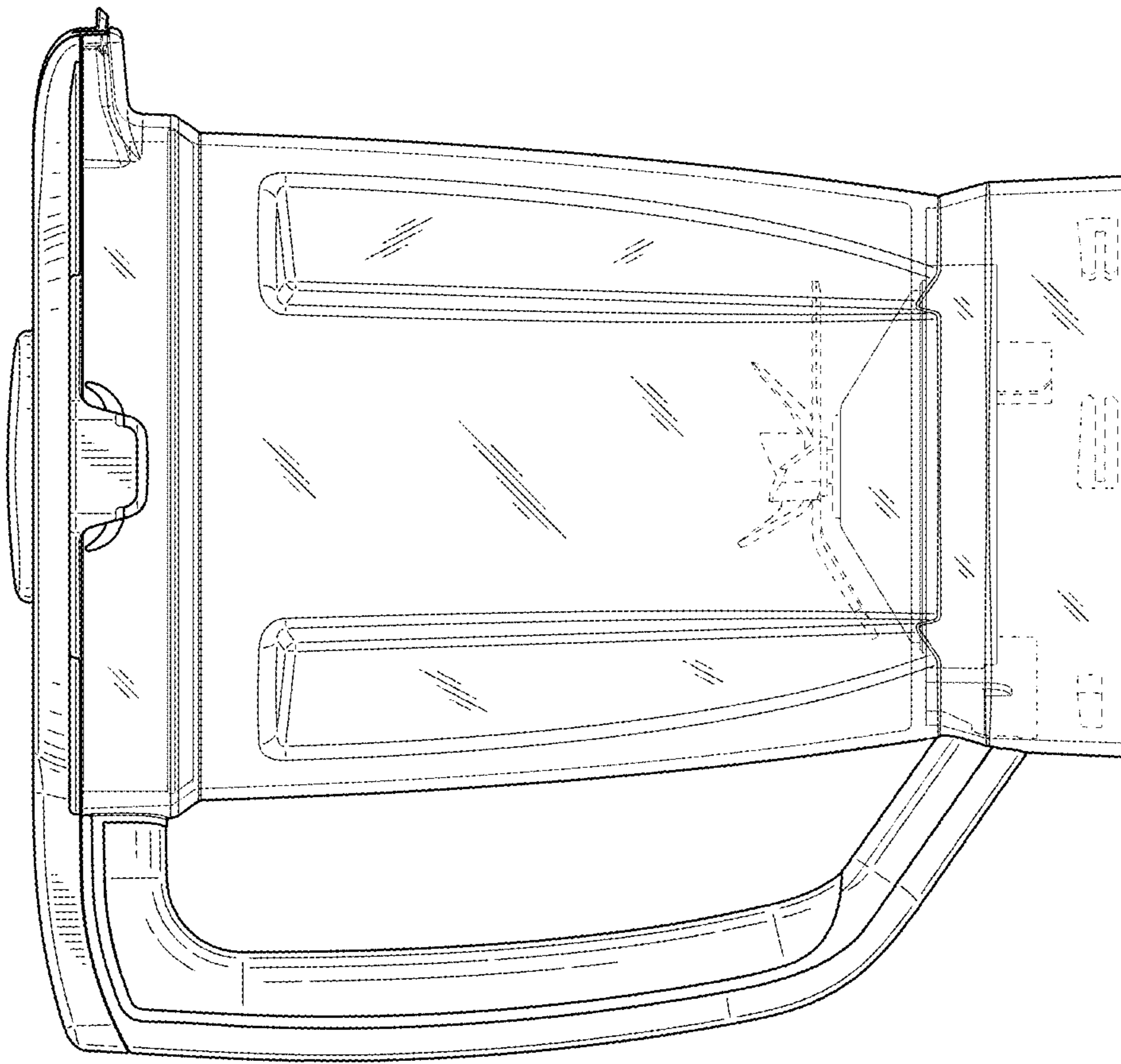


Fig. 28

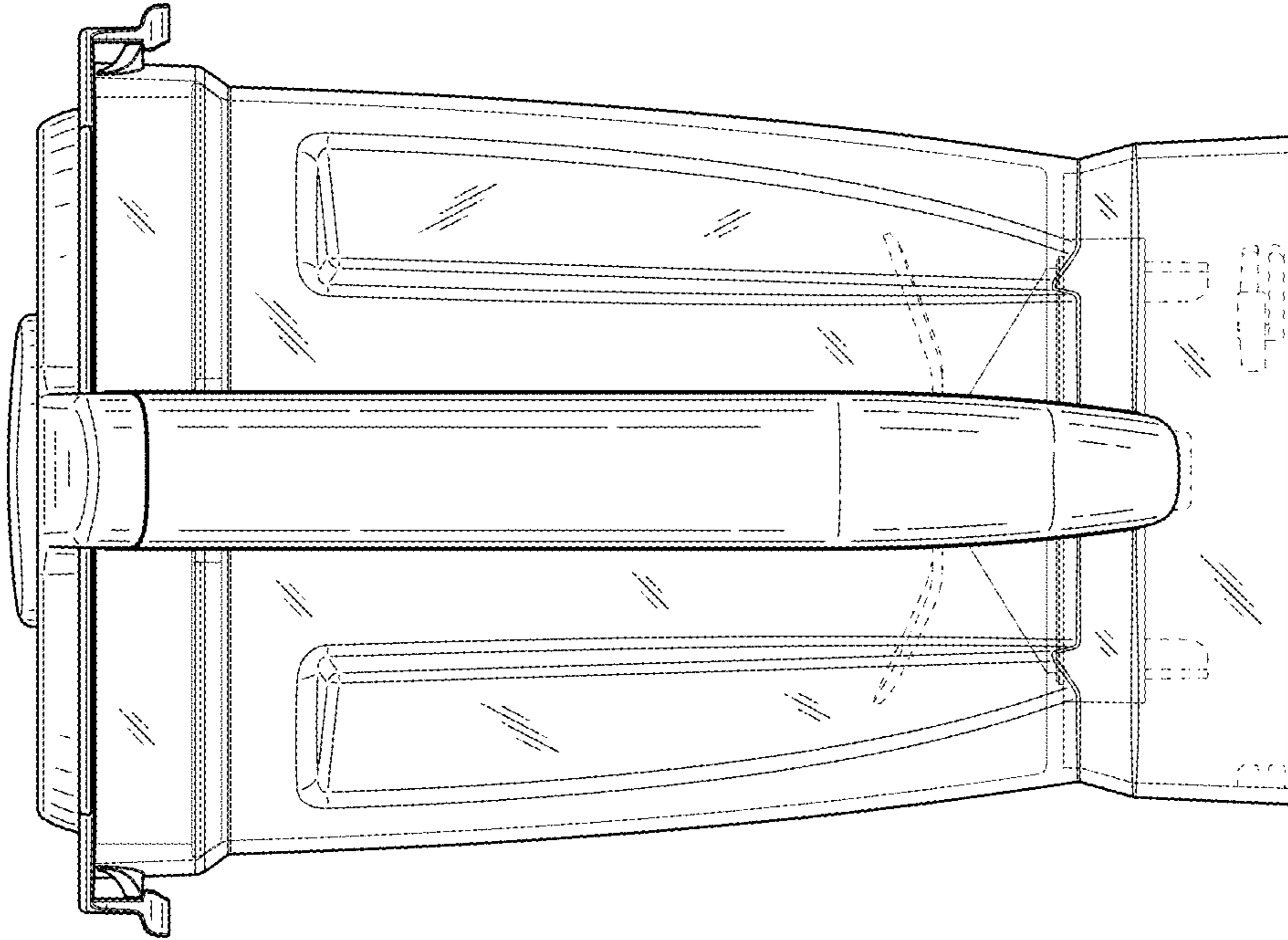


Fig. 30

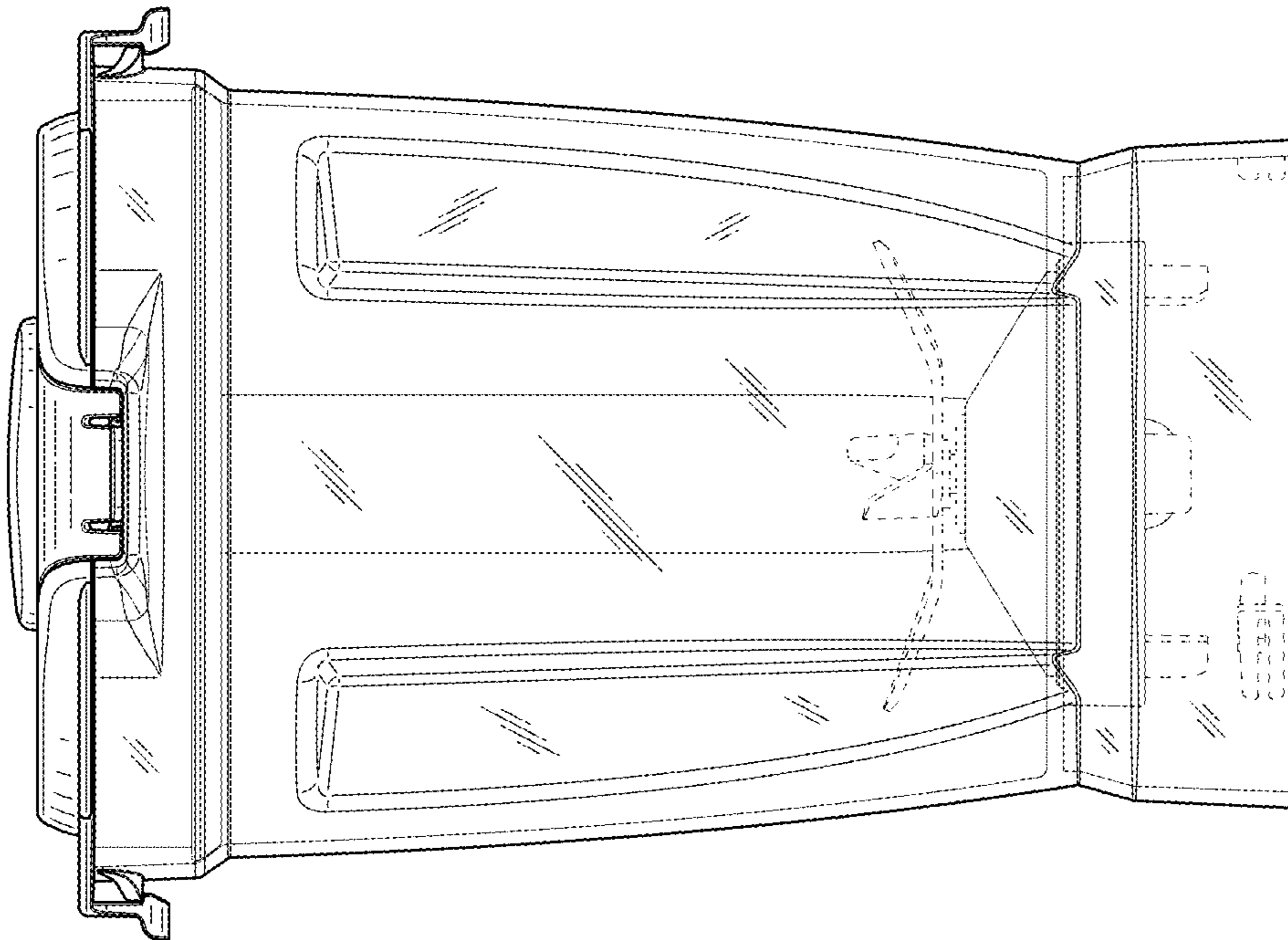


Fig. 29

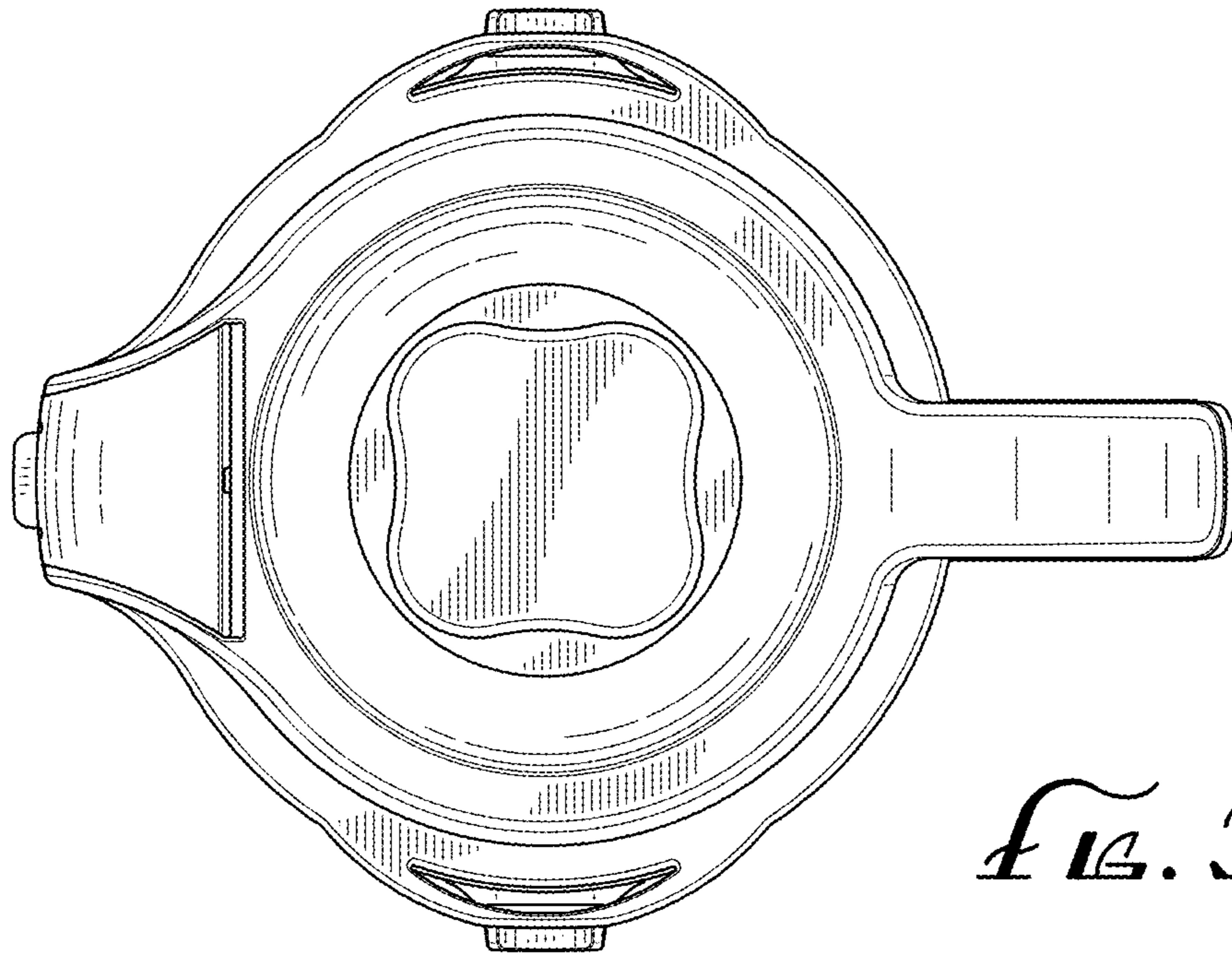


FIG. 31

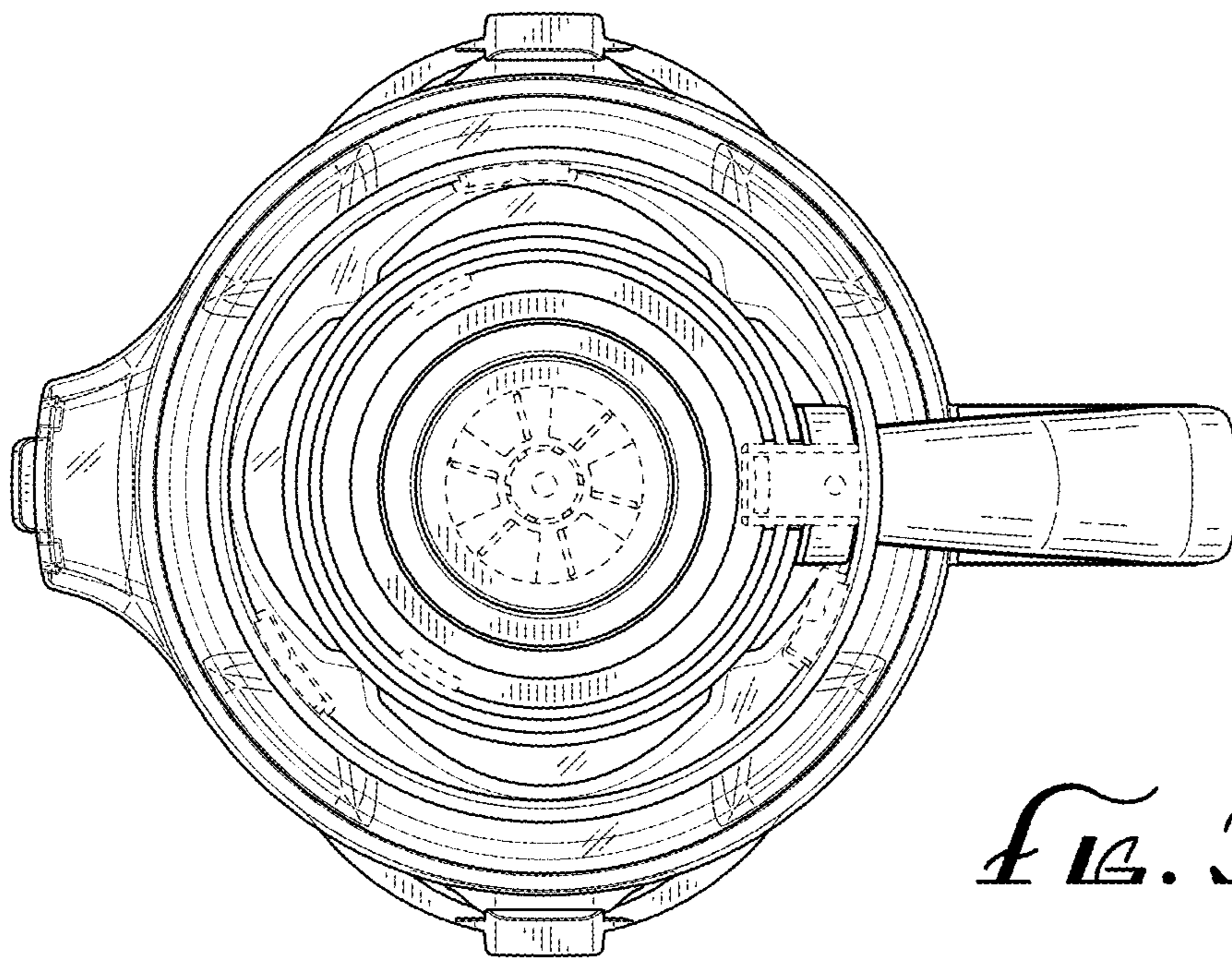


FIG. 32