

US00D929176S

(12) **United States Design Patent**  
**Finnance**

(10) **Patent No.:** **US D929,176 S**  
(45) **Date of Patent:** **\*\* Aug. 31, 2021**

(54) **BLENDER**

(71) Applicant: **Capbran Holdings, LLC**, Los Angeles, CA (US)

(72) Inventor: **Robert Finnance**, Los Angeles, CA (US)

(73) Assignee: **Capbran Holdings, LLC**, Los Angeles, CA (US)

(\*\*) Term: **15 Years**

(21) Appl. No.: **29/743,925**

(22) Filed: **Jul. 24, 2020**

(51) **LOC (13) Cl.** ..... **31-00**

(52) **U.S. Cl.**  
USPC ..... **D7/378**; D7/376; D7/412; D7/413

(58) **Field of Classification Search**  
USPC ..... D7/372, 376-386, 412-413, 602, 629, D7/665-666, 669, 679, 693-694  
(Continued)

(56) **References Cited**

U.S. PATENT DOCUMENTS

D448,967 S \* 10/2001 Planca ..... D7/378  
D466,362 S \* 12/2002 Moore ..... D7/378  
(Continued)

*Primary Examiner* — Ricky Pham

(74) *Attorney, Agent, or Firm* — Trojan Law Offices

(57) **CLAIM**

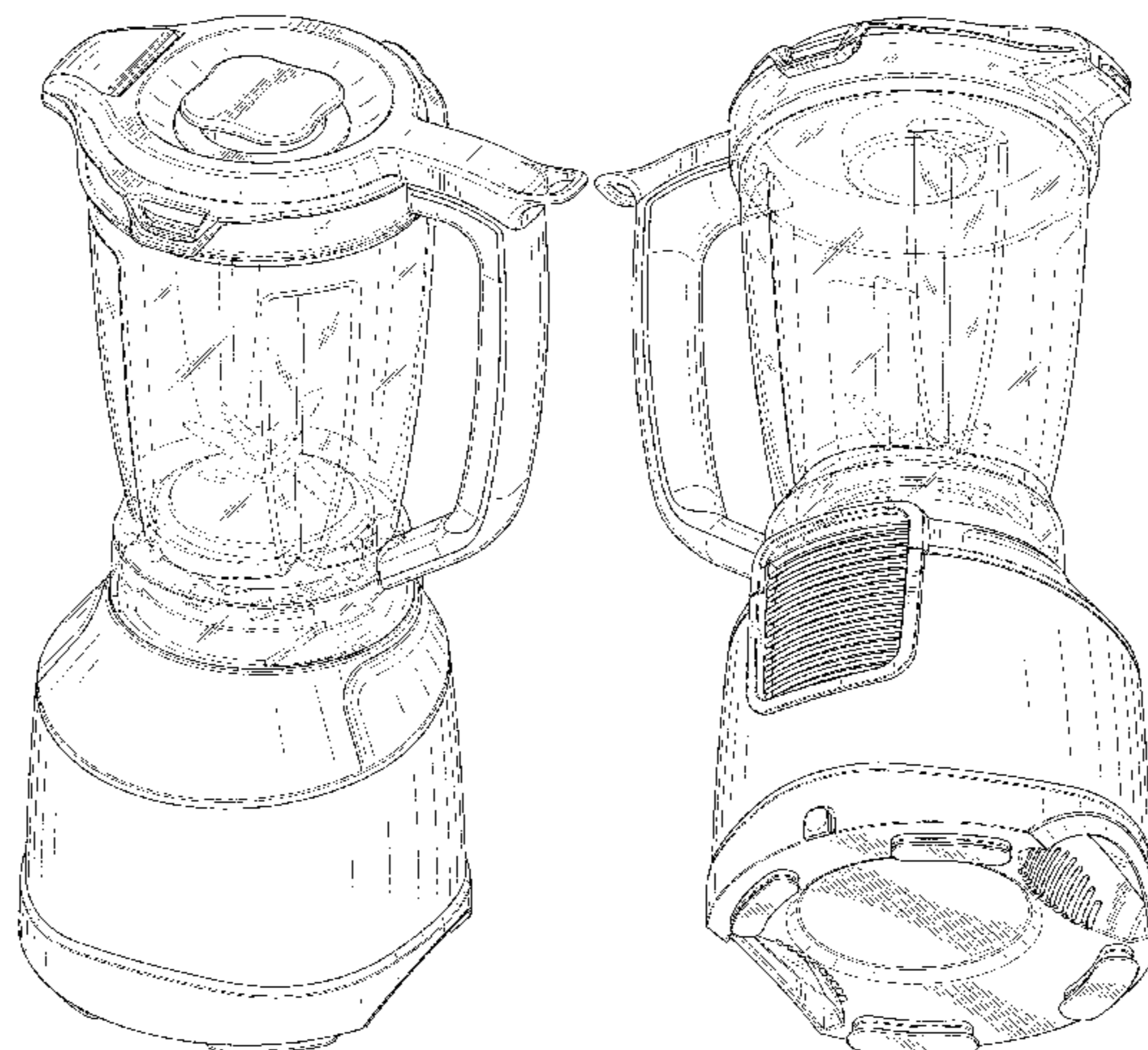
The ornamental design for a blender, as shown and described.

**DESCRIPTION**

FIG. 1 is a top front perspective view of a blender with a combined blender base, blender pitcher container, and container lid in accordance with an embodiment of the present invention;

FIG. 2 is a bottom perspective view of the combined blender base, blender pitcher container, and container lid of FIG. 1; FIG. 3 is a front view of the blender with a combined blender base, blender pitcher container, and container lid of FIG. 1; FIG. 4 is a rear view of the blender with a combined blender base, blender pitcher container, and container lid of FIG. 1; FIG. 5 is a left side view of the blender with a combined blender base, blender pitcher container, and container lid of FIG. 1; FIG. 6 is a right side view of the blender with a combined blender base, blender pitcher container, and container lid of FIG. 1; FIG. 7 is a top view of the blender with a combined blender base, blender pitcher container, and container lid of FIG. 1; FIG. 8 is a bottom view of the blender with a combined blender base, blender pitcher container, and container lid of FIG. 1; FIG. 9 is a front perspective view of the blender base of FIG. 1; FIG. 10 is a bottom perspective view of the blender base of FIG. 1; FIG. 11 is a front view of the blender base of FIG. 1; FIG. 12 is a rear view of the blender base of FIG. 1; FIG. 13 is a left side view of the blender base of FIG. 1; FIG. 14 is a right side view of the blender base of FIG. 1; FIG. 15 is a top view of the blender base of FIG. 1; FIG. 16 is a bottom view of the blender base of FIG. 1; FIG. 17 is a front perspective view of the blender pitcher container and container lid of FIG. 1; FIG. 18 is a bottom perspective view of the blender pitcher container and container lid of FIG. 1; FIG. 19 is a front view of the blender pitcher container and container lid of FIG. 1; FIG. 20 is a rear view of the blender pitcher container and container lid of FIG. 1; FIG. 21 is a left side view of the blender pitcher container and container lid of FIG. 1; FIG. 22 is a right side view of the blender pitcher container and container lid of FIG. 1; FIG. 23 is a top view of the blender pitcher container and container lid of FIG. 1; and, FIG. 24 is a bottom view of the blender pitcher container and container lid of FIG. 1.

(Continued)



Any broken lines, shown throughout in the drawing figures, are included for the purpose of illustrating environmental structures and form no part of the claimed design.

B28C 5/10; B28C 5/12; B28C 5/14;  
B28C 5/16

See application file for complete search history.

**1 Claim, 16 Drawing Sheets**

(56)

**References Cited**

U.S. PATENT DOCUMENTS

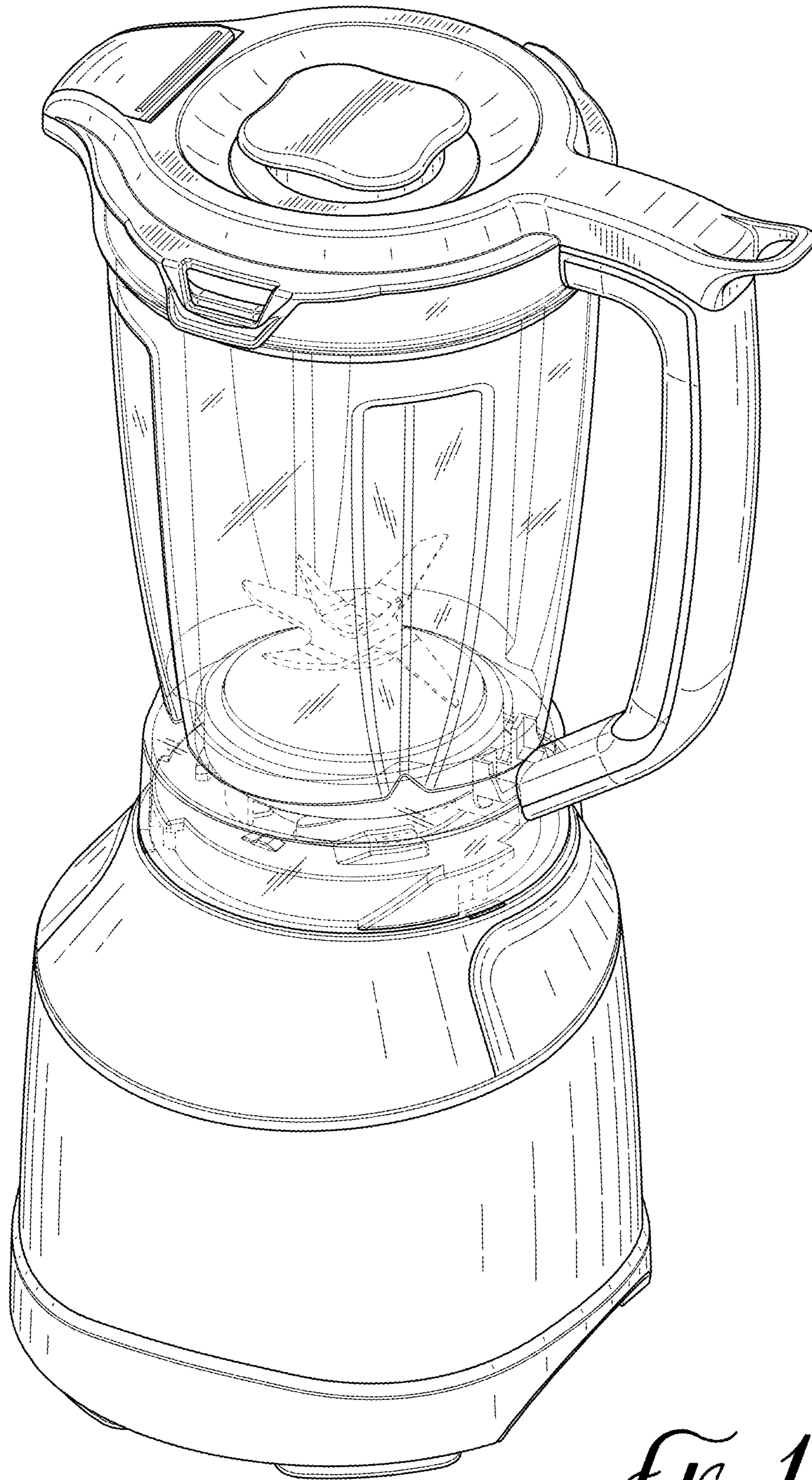
(58) **Field of Classification Search**

CPC .... A21C 1/02; A21C 1/04; A23N 1/00; A23N  
1/02; A47J 43/04; A47J 43/25; A47J  
43/27; A47J 43/042; A47J 43/044; A47J  
43/046; A47J 43/075; A47J 43/0722;  
A47J 43/0727; A47J 45/08; B01F 3/00;  
B01F 3/0807; B01F 3/0853; B01F  
13/0059; B01F 13/0064; B02C 1/08;  
B02C 2/04; B02C 4/42; B02C 4/142;  
B02C 4/143; B02C 4/423; B02C 13/1835;

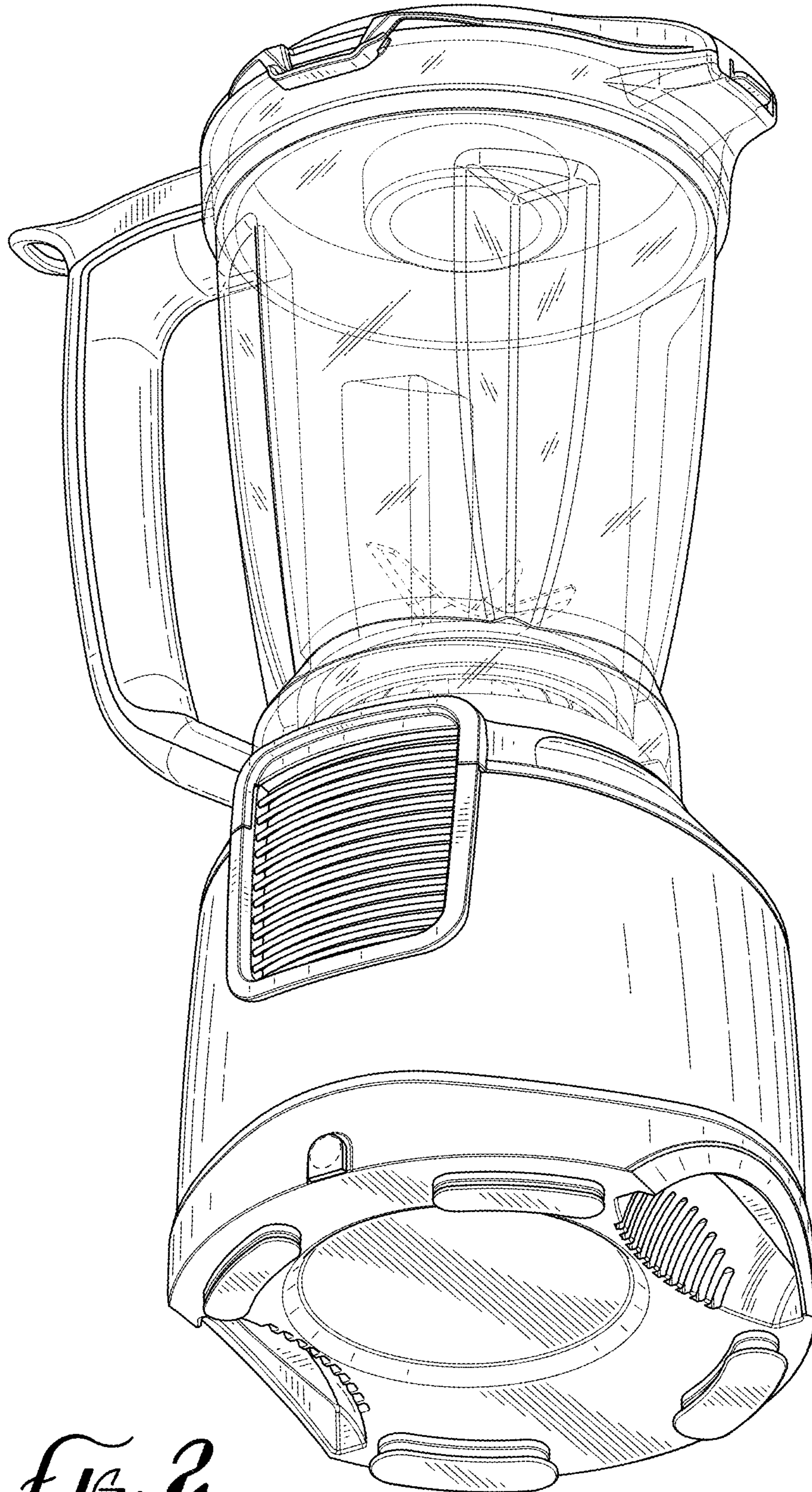
D543,072	S	*	5/2007	Ting	.....	D7/378
D613,547	S	*	4/2010	Day	.....	D7/378
D742,683	S	*	11/2015	Kim	.....	D7/386
D749,893	S	*	2/2016	Bazzicalupo	.....	D7/378
D759,424	S	*	6/2016	Ou	.....	D7/378
D782,865	S	*	4/2017	Bazzicalupo	.....	D7/378
D784,071	S	*	4/2017	Davies	.....	D7/386
D838,539	S	*	1/2019	Shin	.....	D7/378
D897,758	S	*	10/2020	Finnance	.....	D7/378
D904,822	S	*	12/2020	Koszytko	.....	D7/386
2019/0117013	A1	*	4/2019	Kim	.....	A47J 45/08

\* cited by examiner



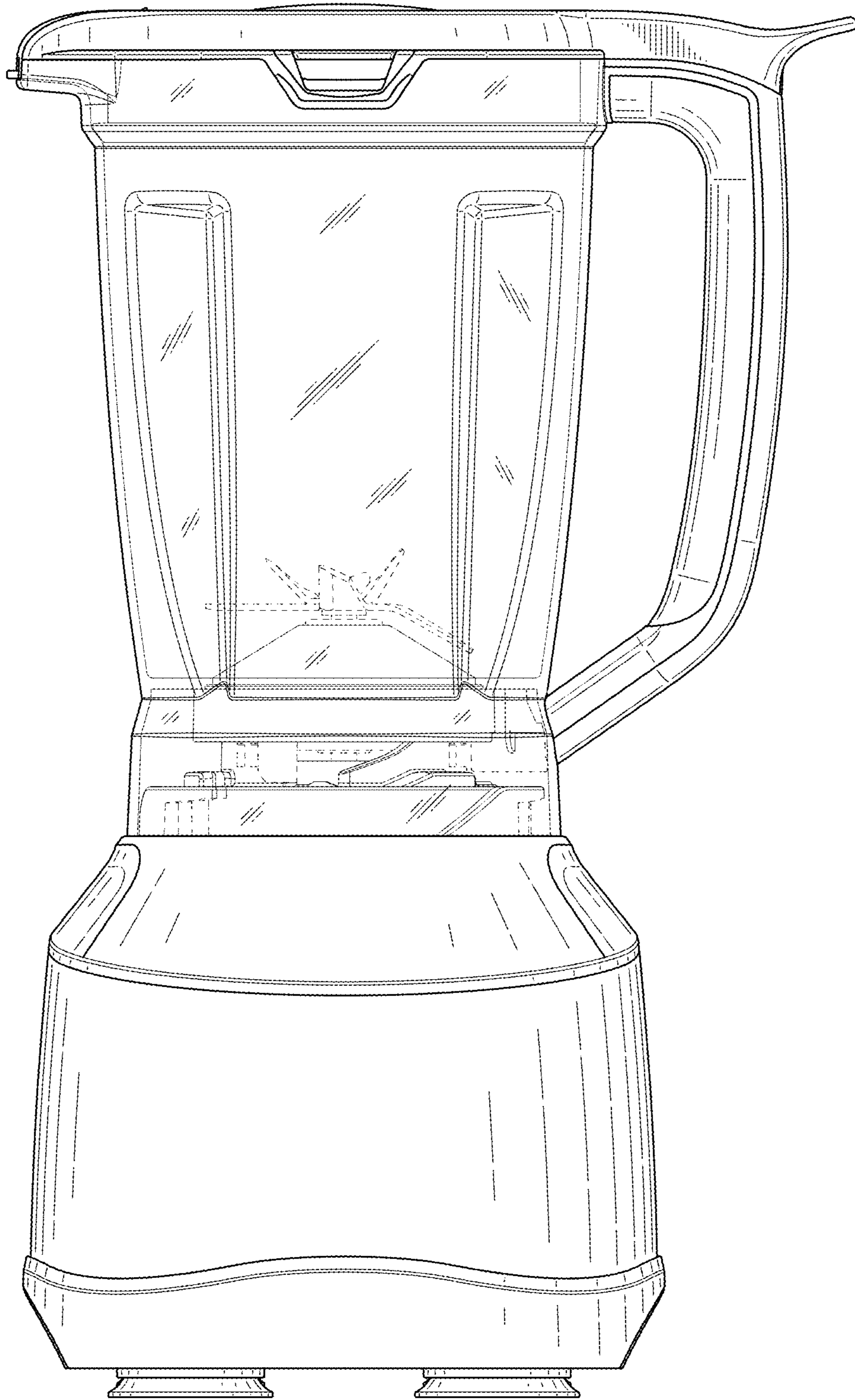


*FIG. 1*

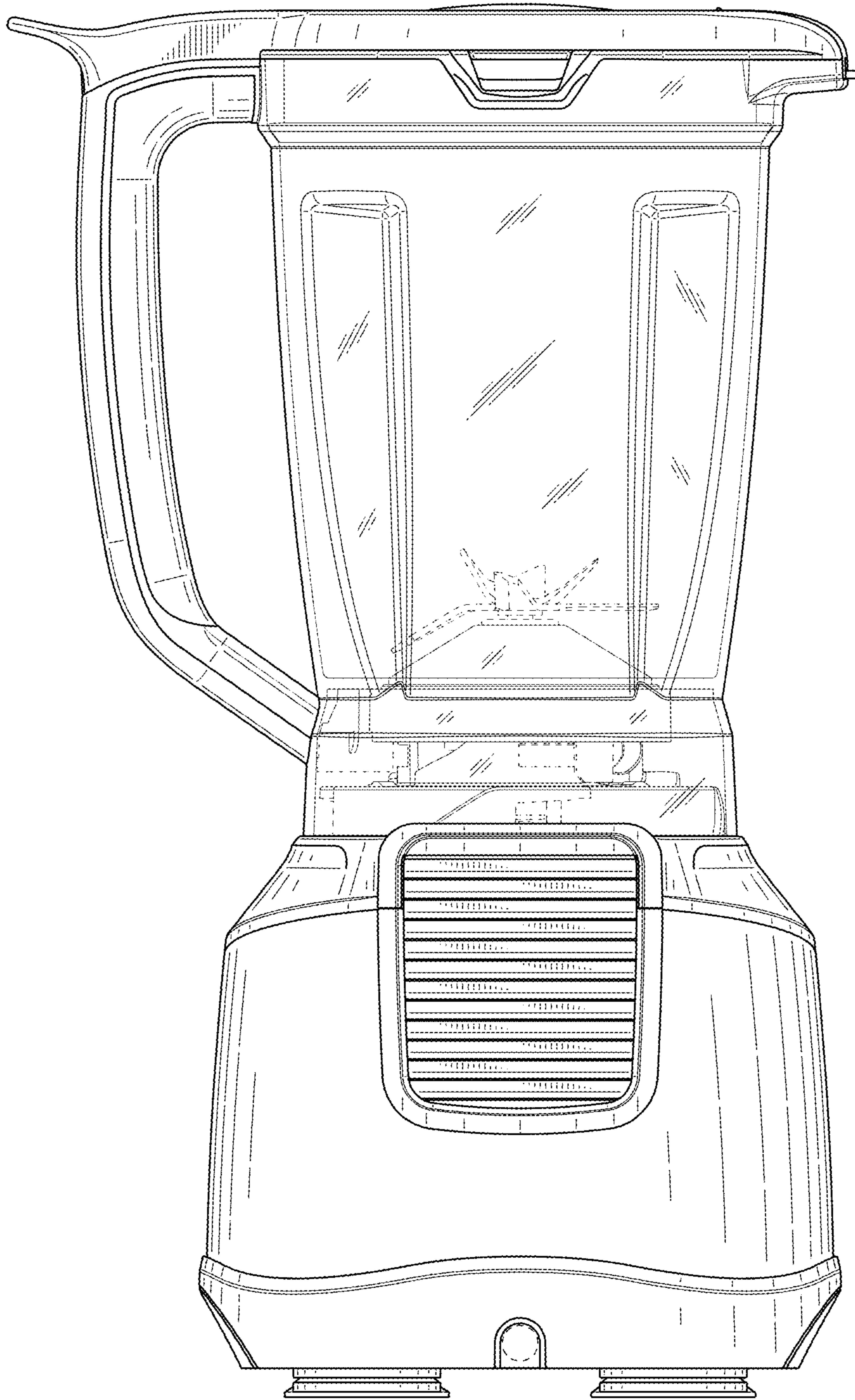


*FIG. 2*

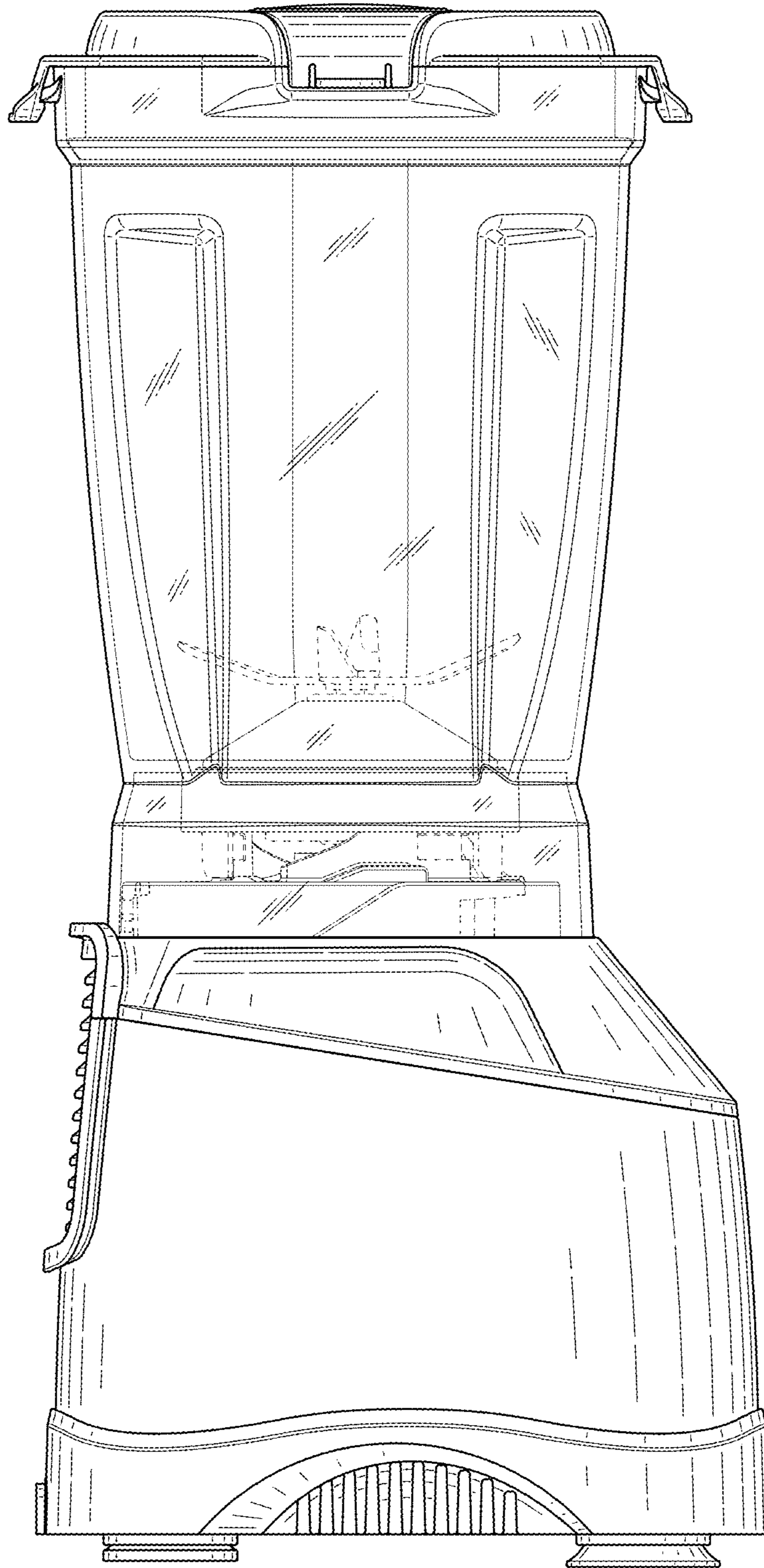




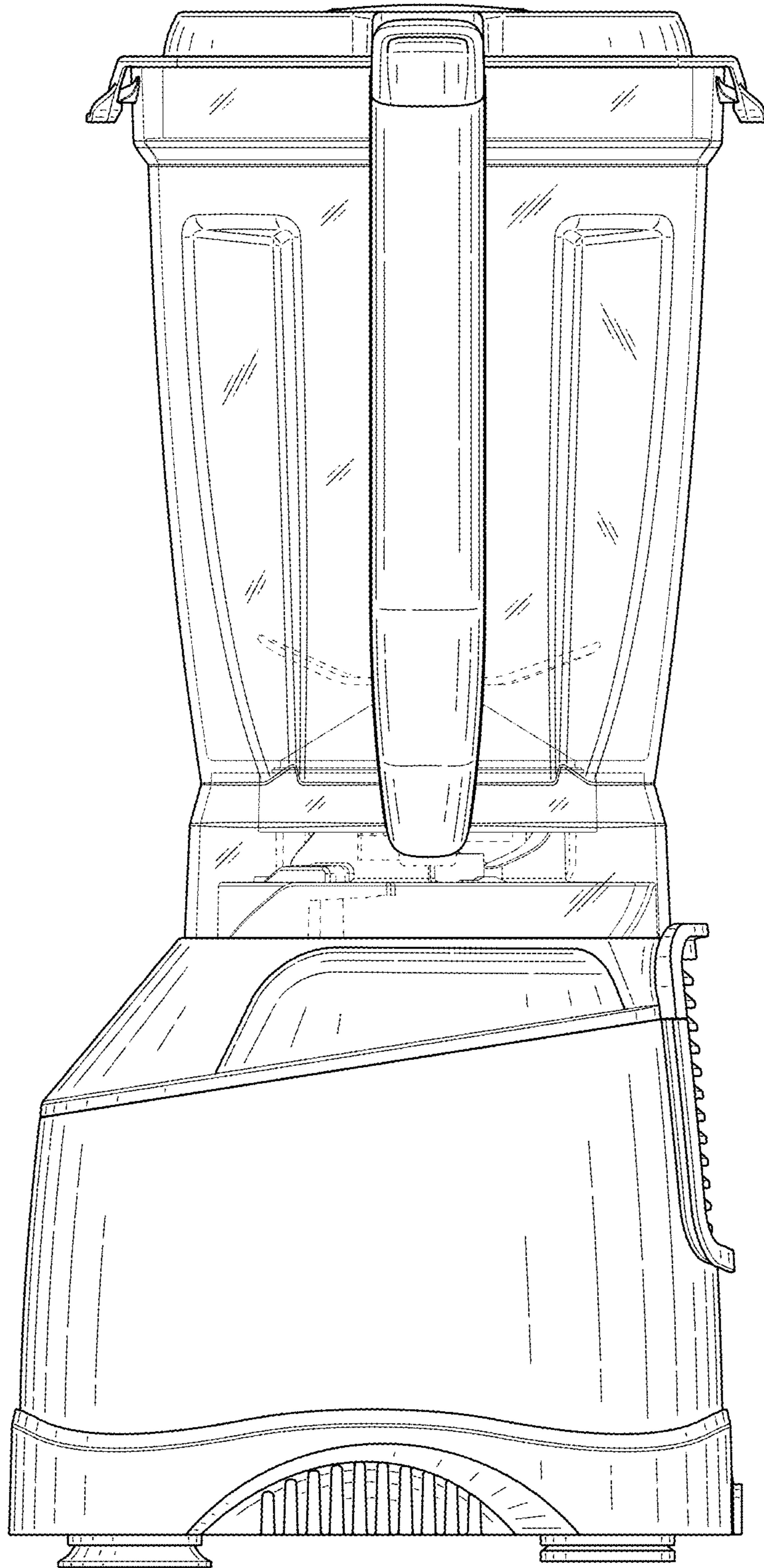
*FIG. 3*



*FIG. 4*



*FIG. 5*



*FIG. 6*



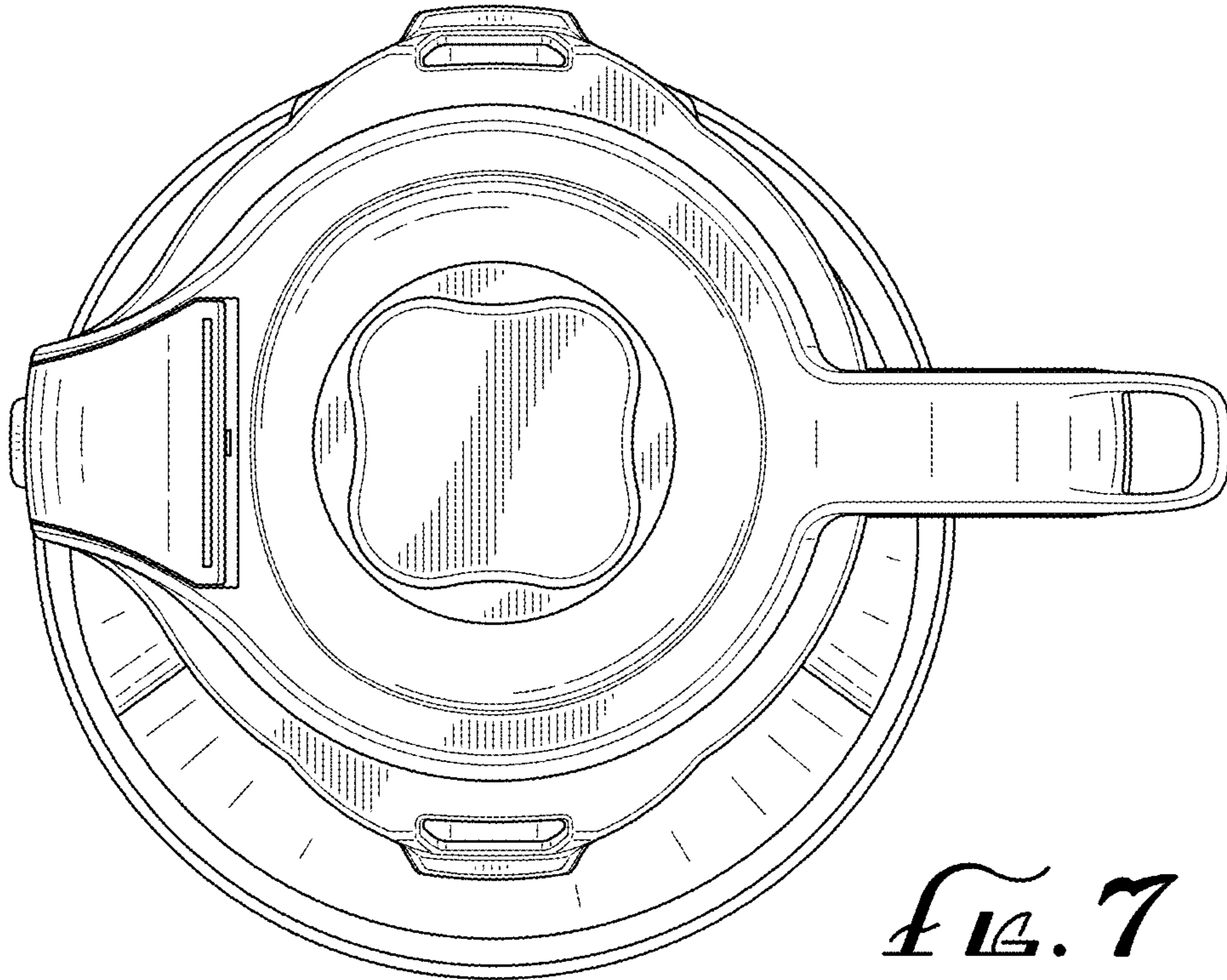


FIG. 7

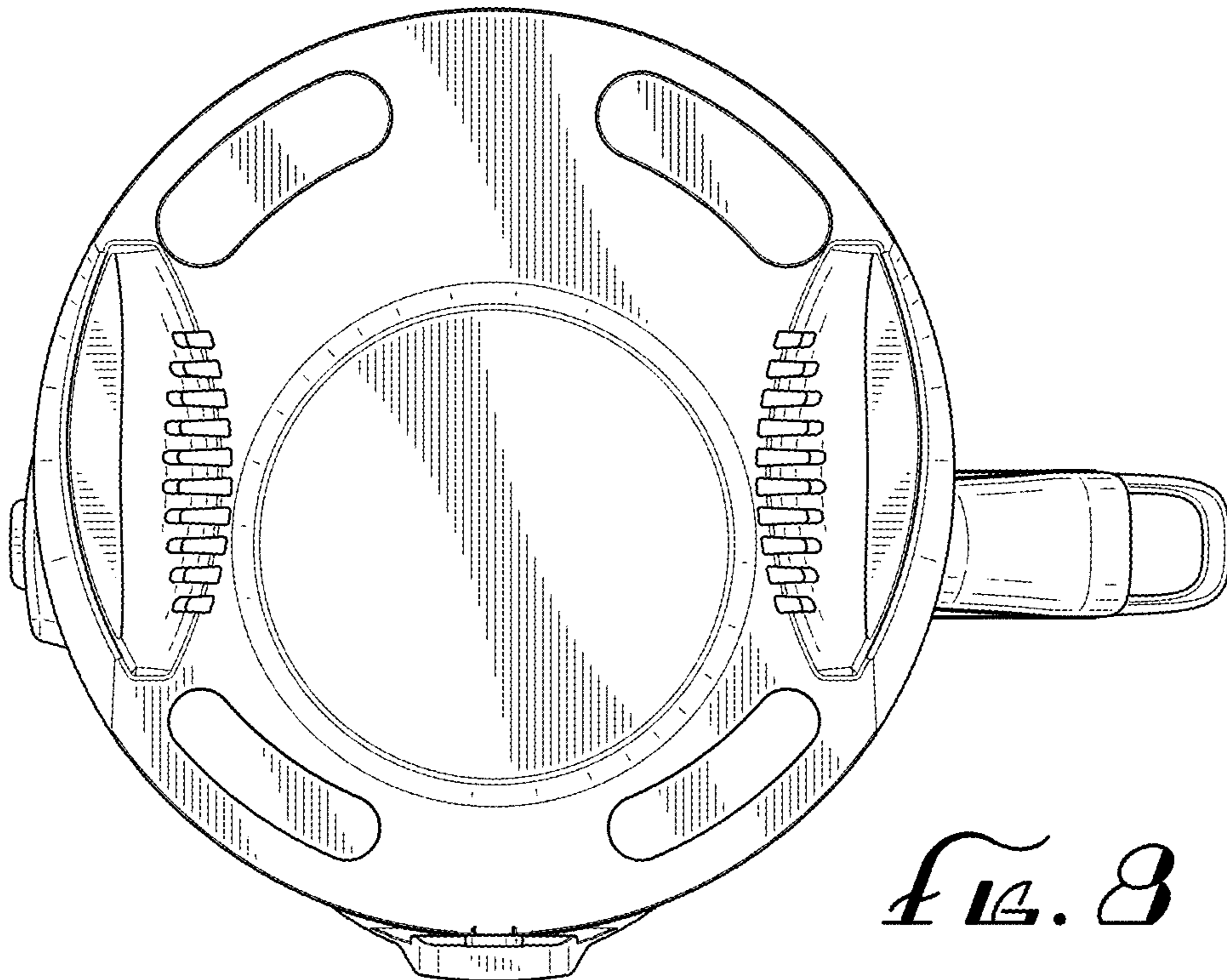


FIG. 8

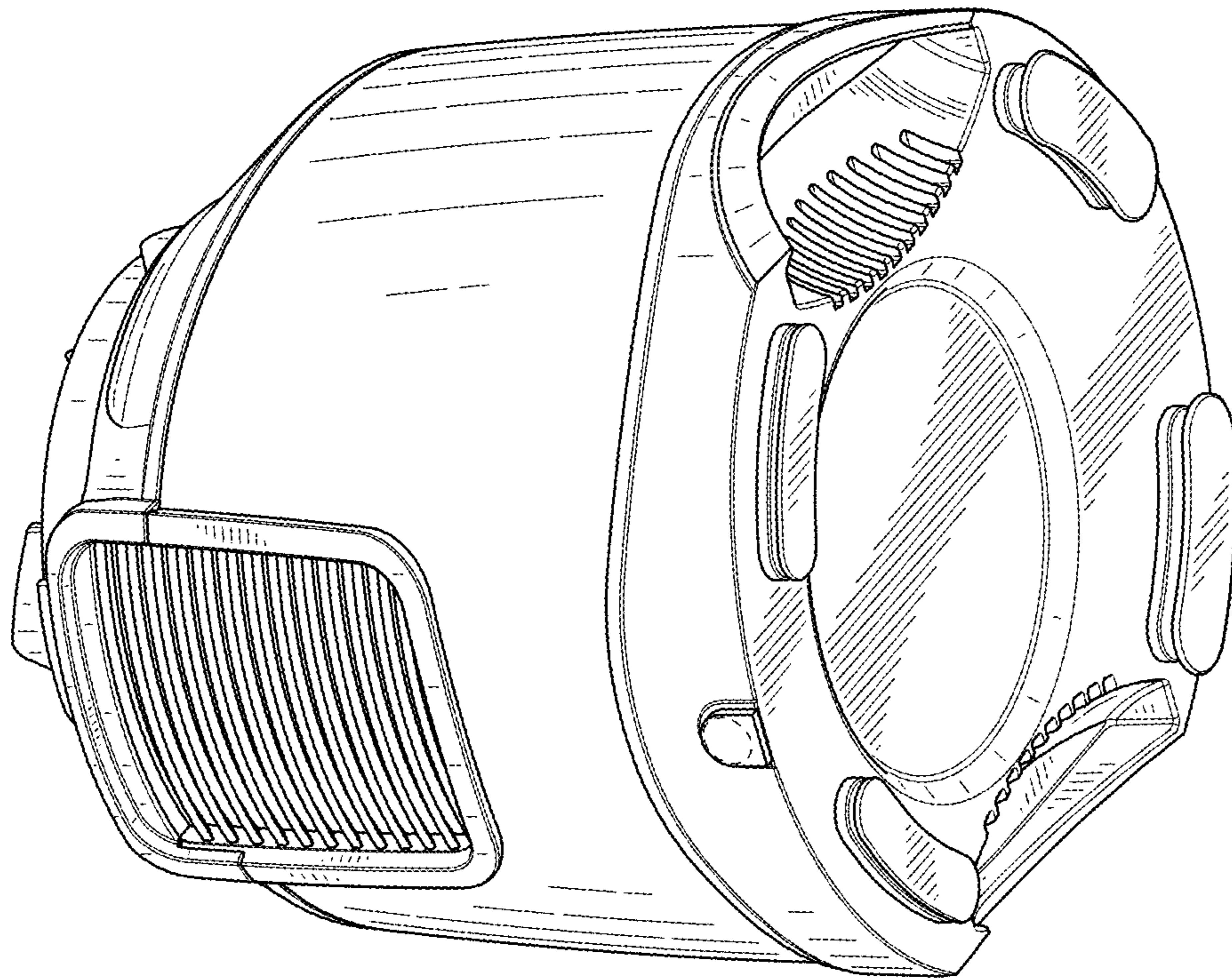


FIG. 10

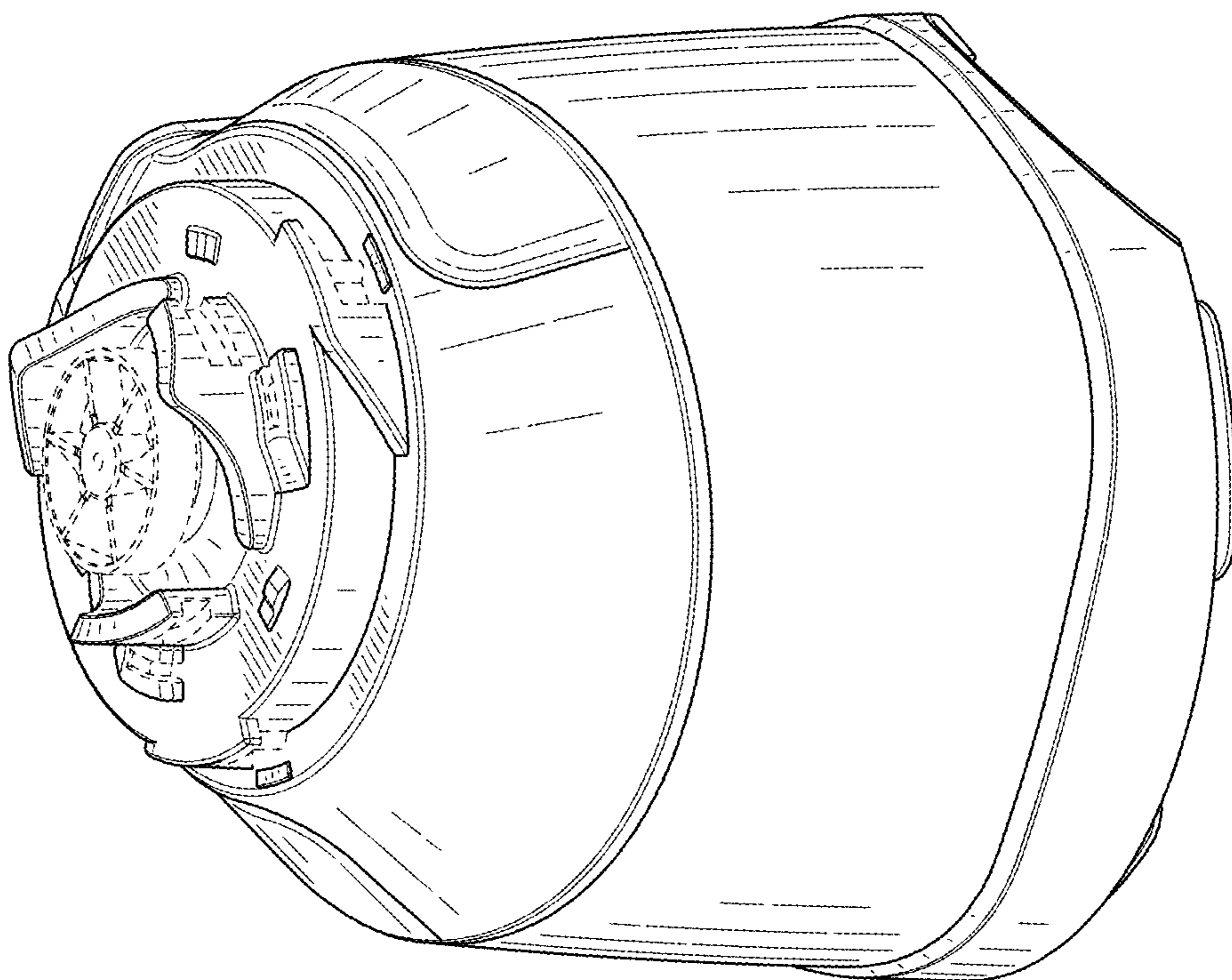
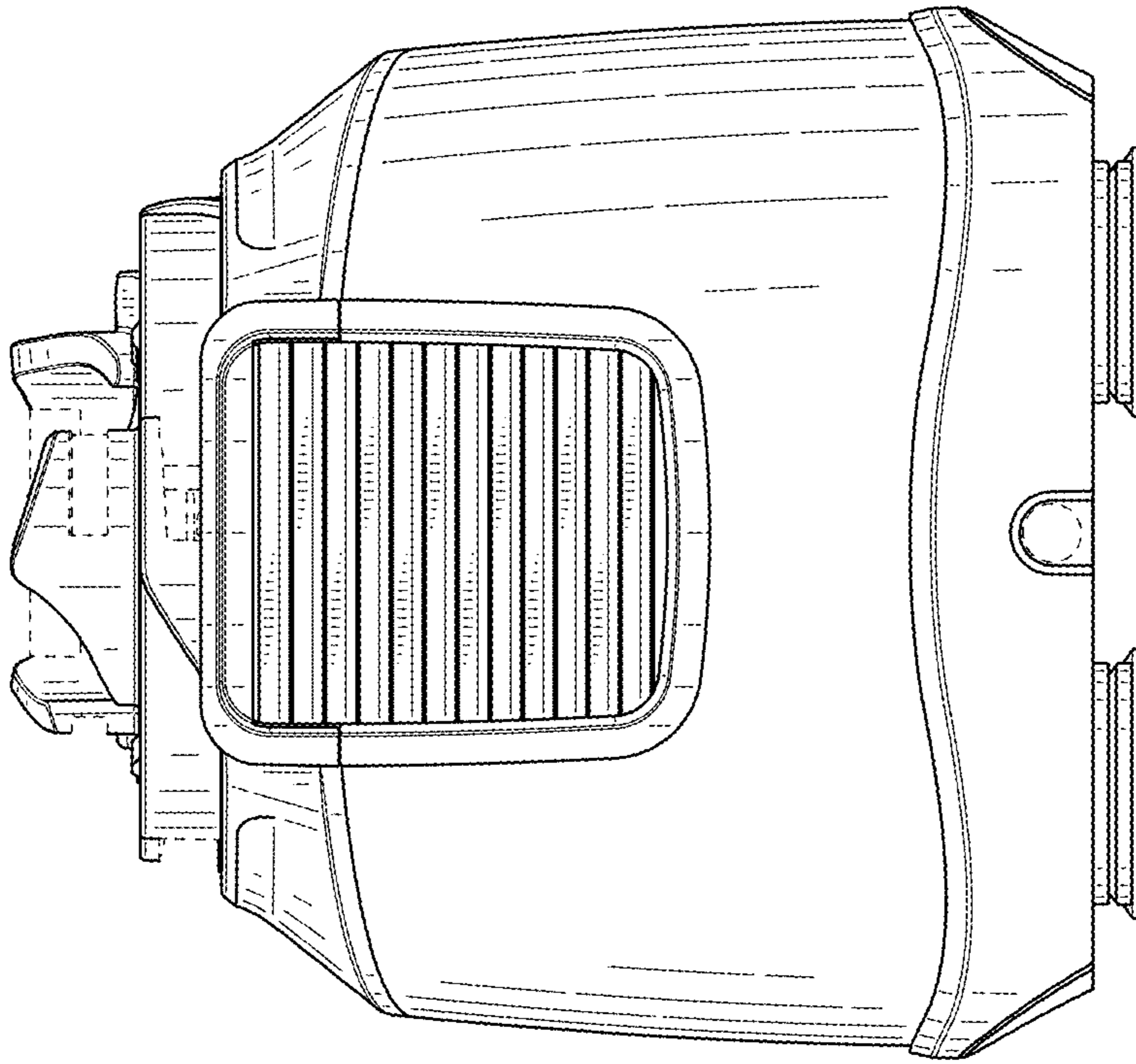
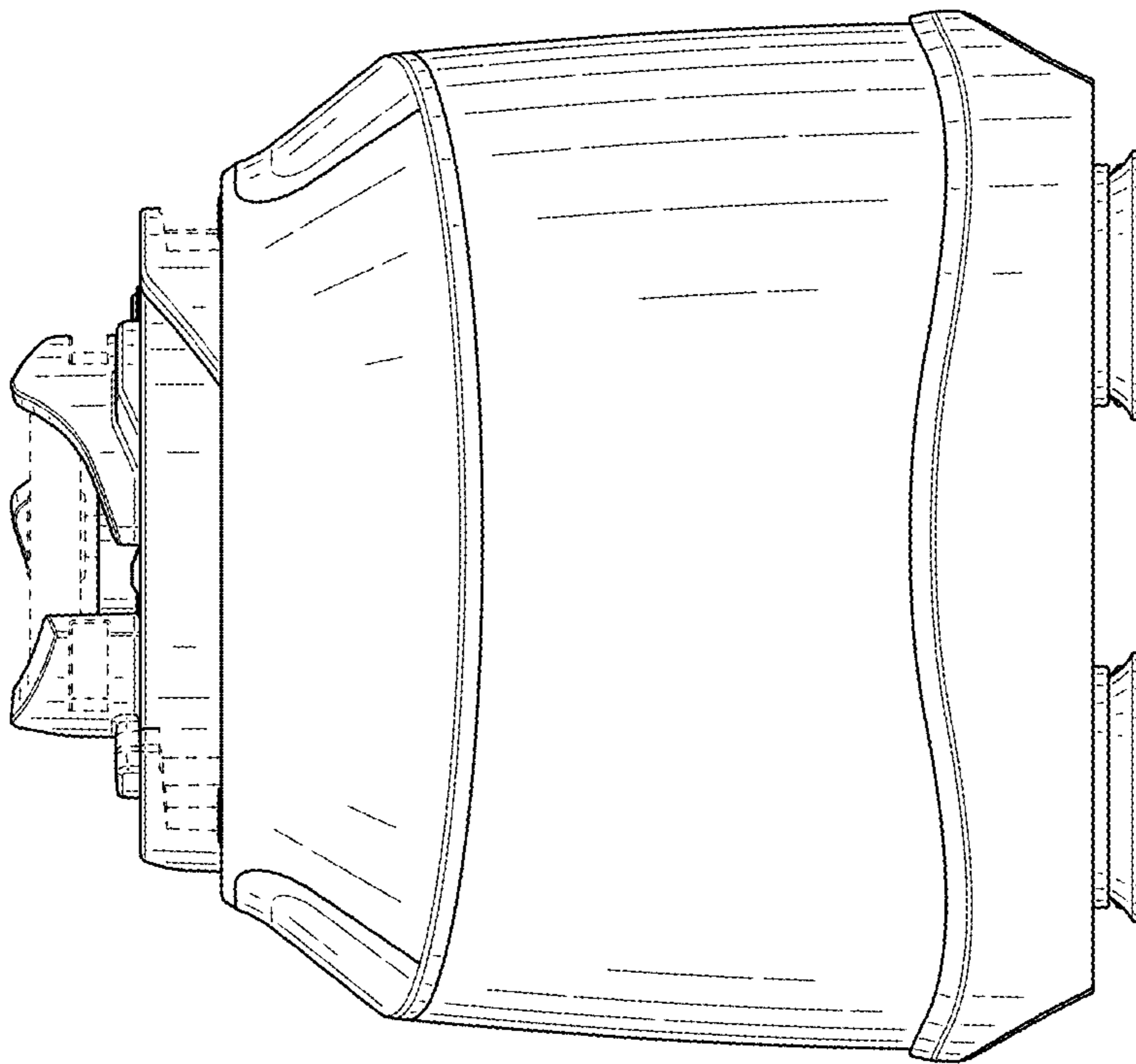


FIG. 9



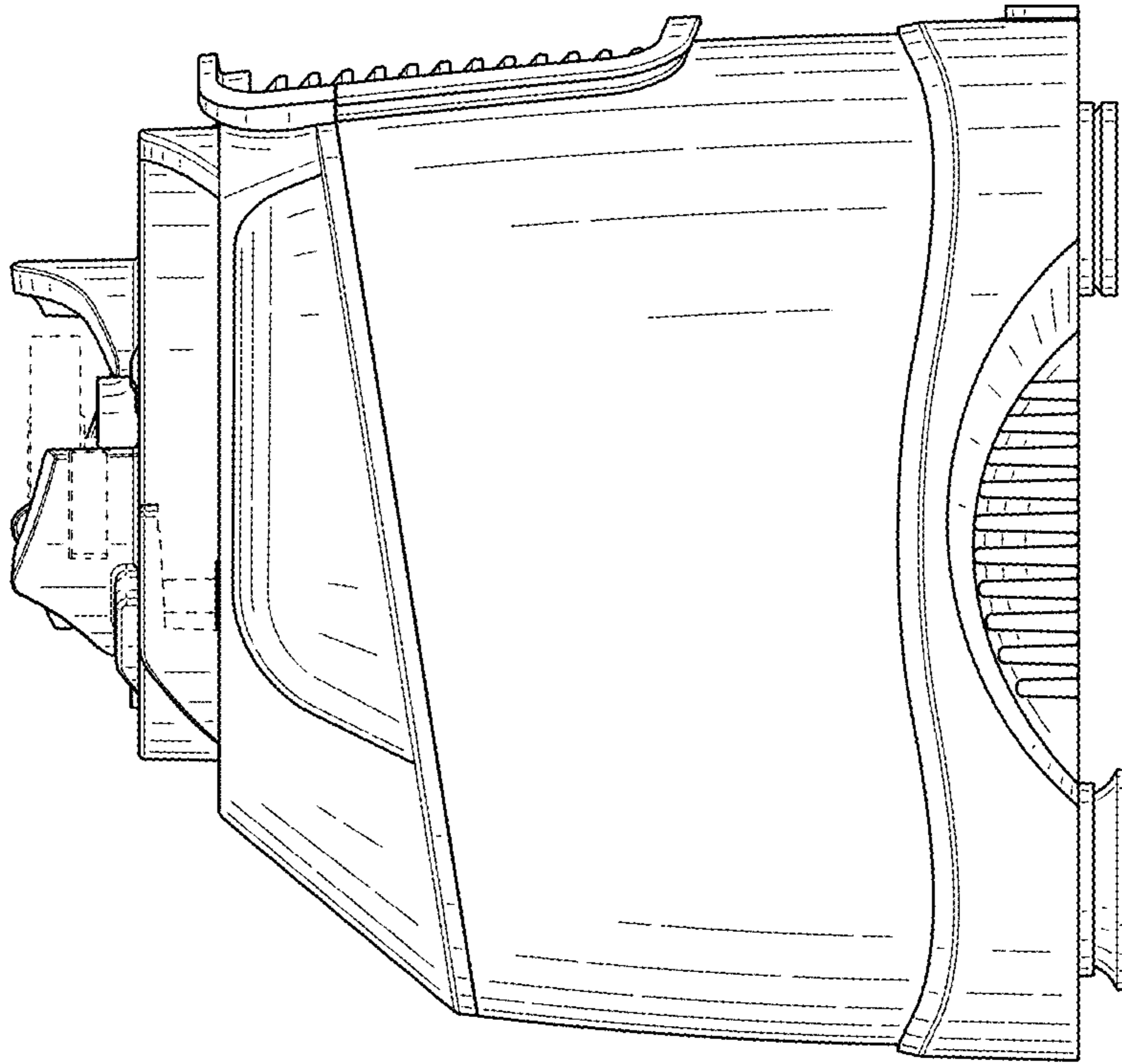


*FIG. 12*

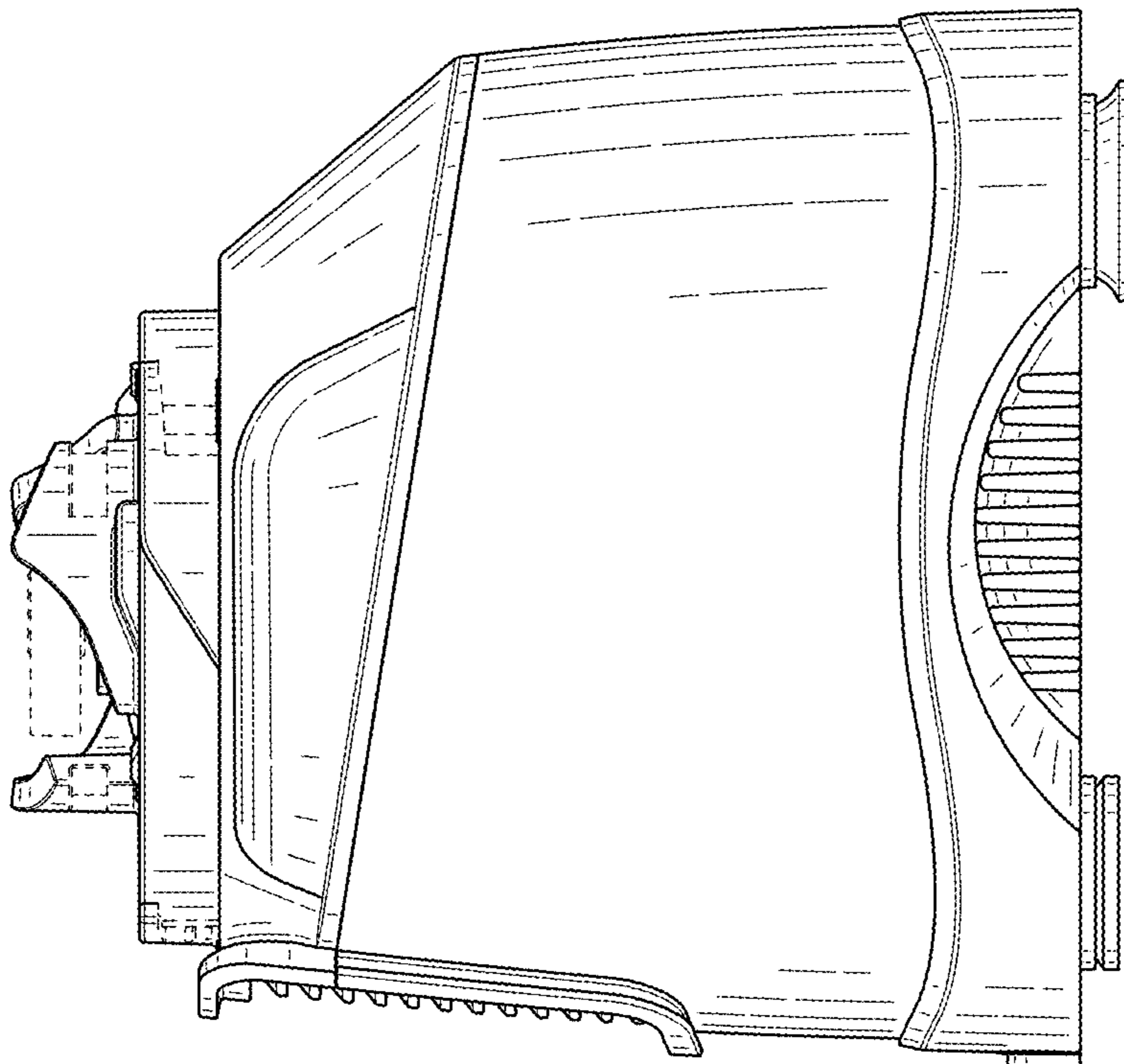


*FIG. 11*

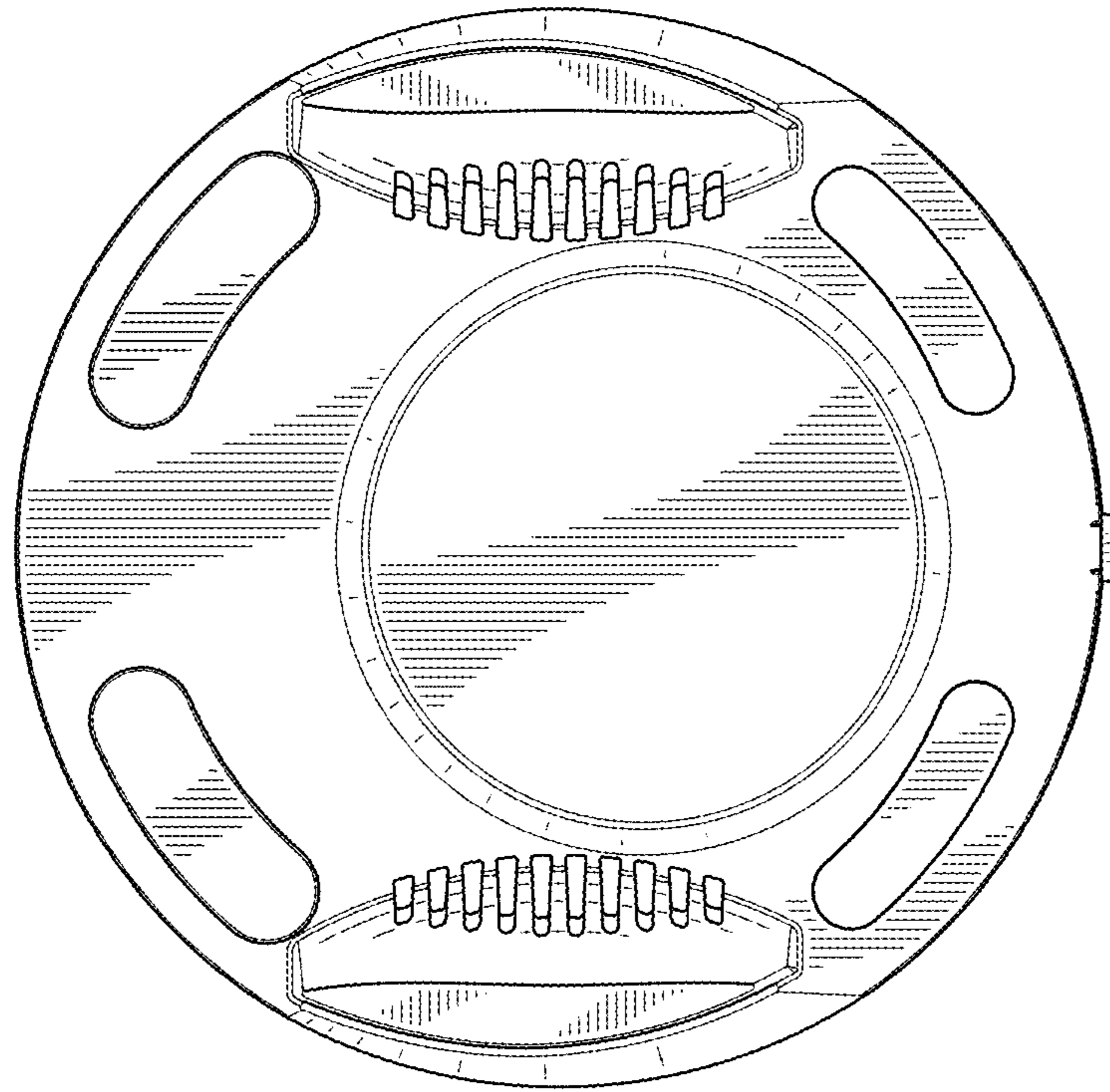




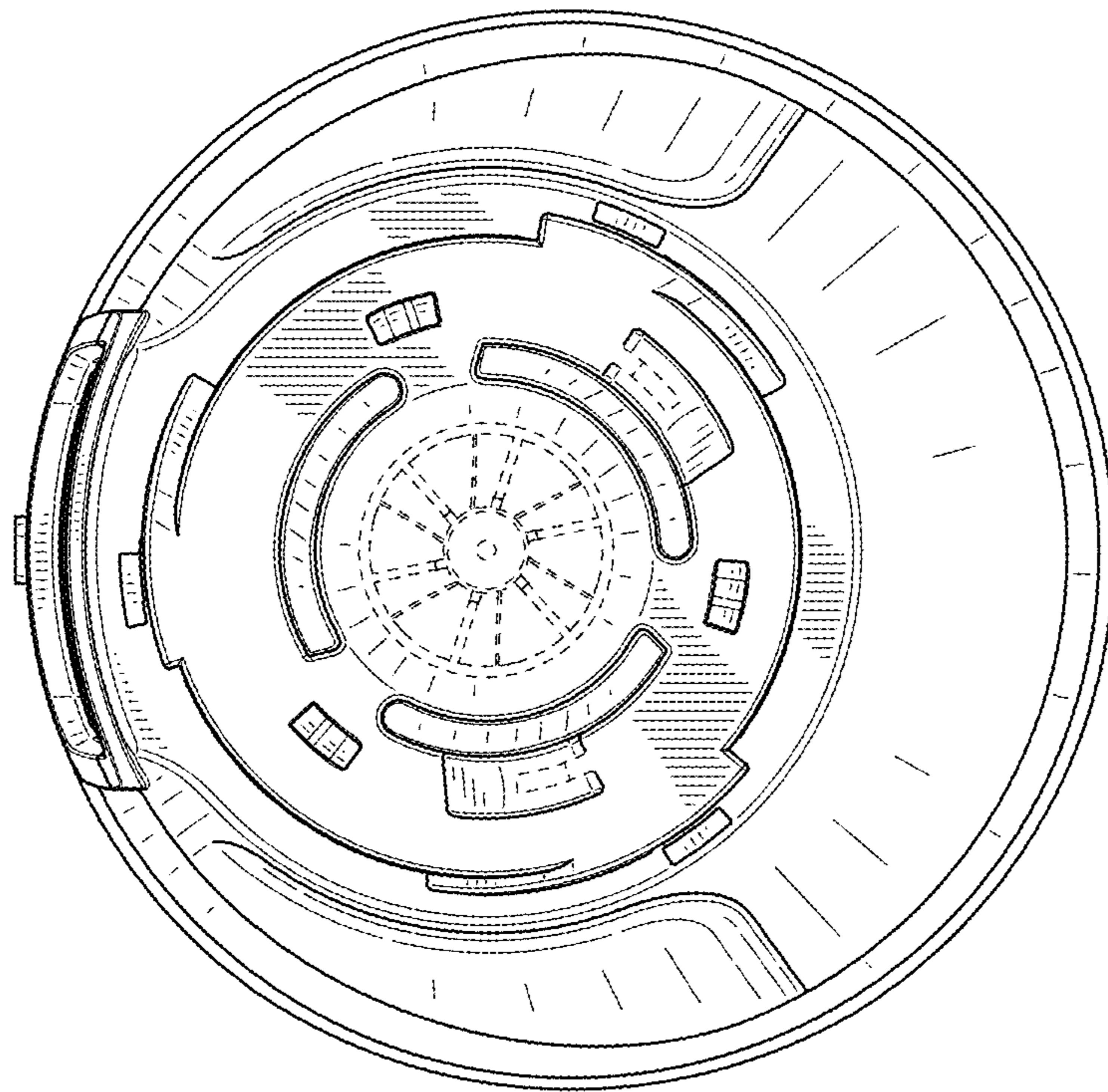
*FIG. 14*



*FIG. 13*



*FIG. 10*



*FIG. 15*



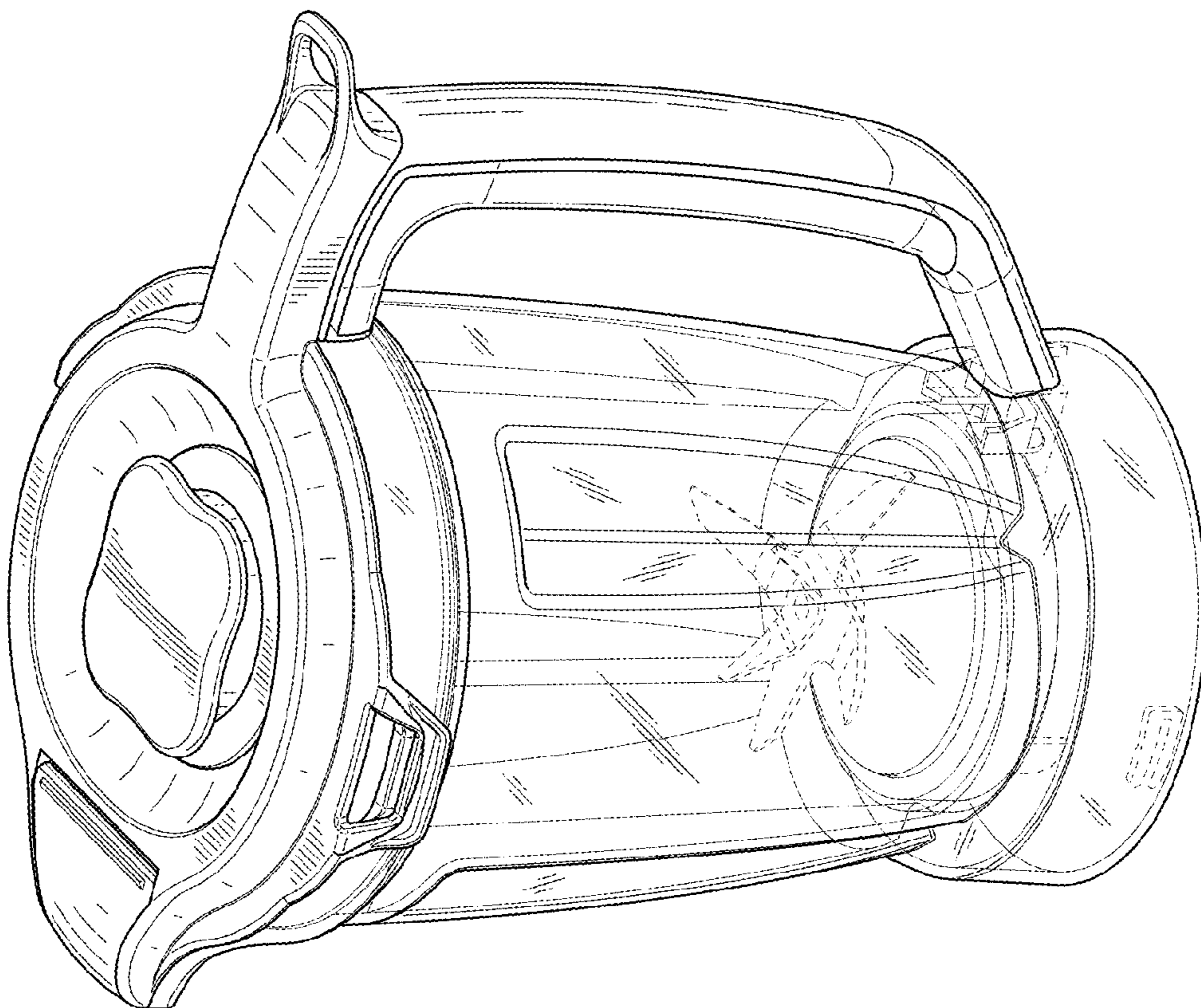


FIG. 17

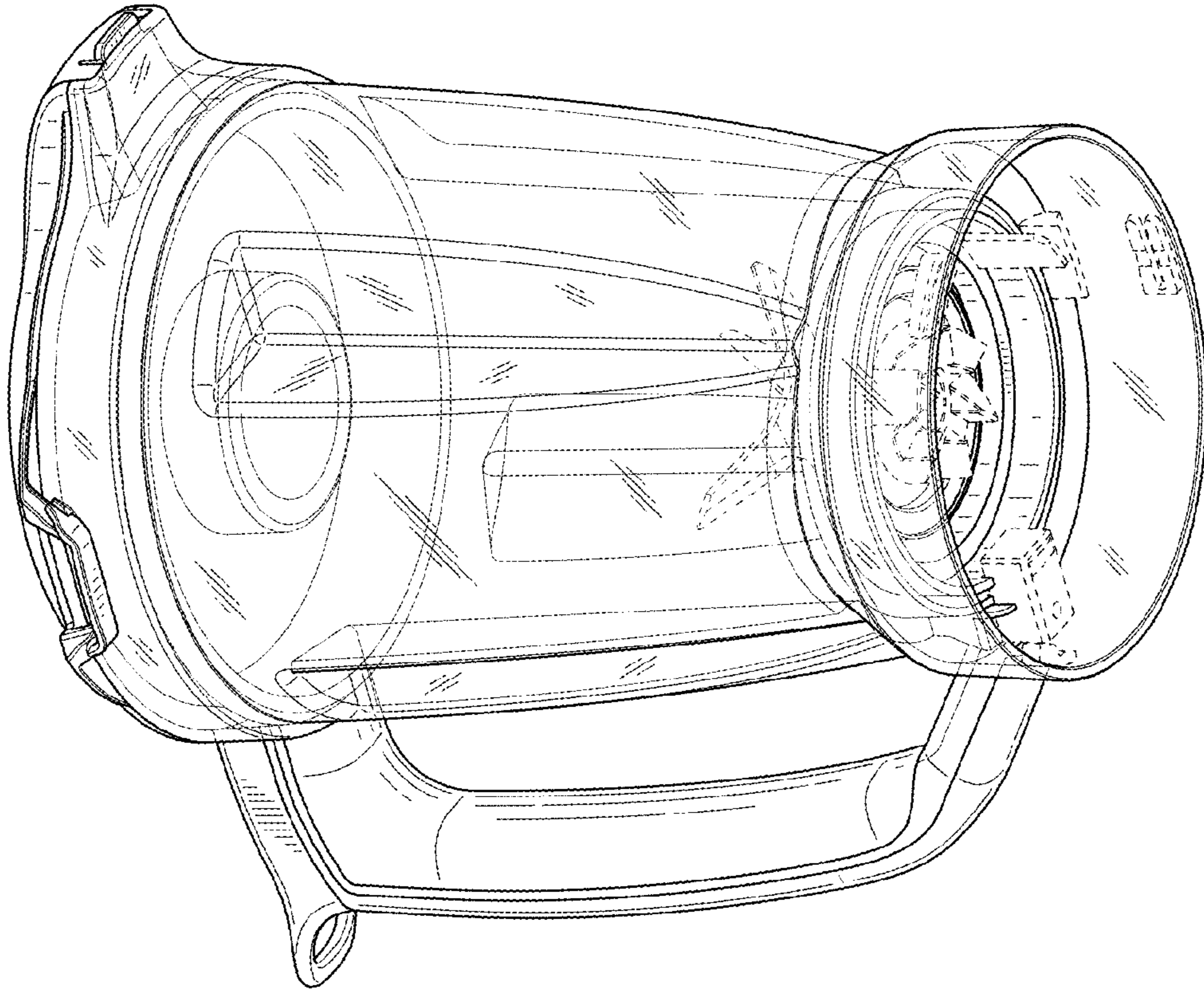


FIG. 18



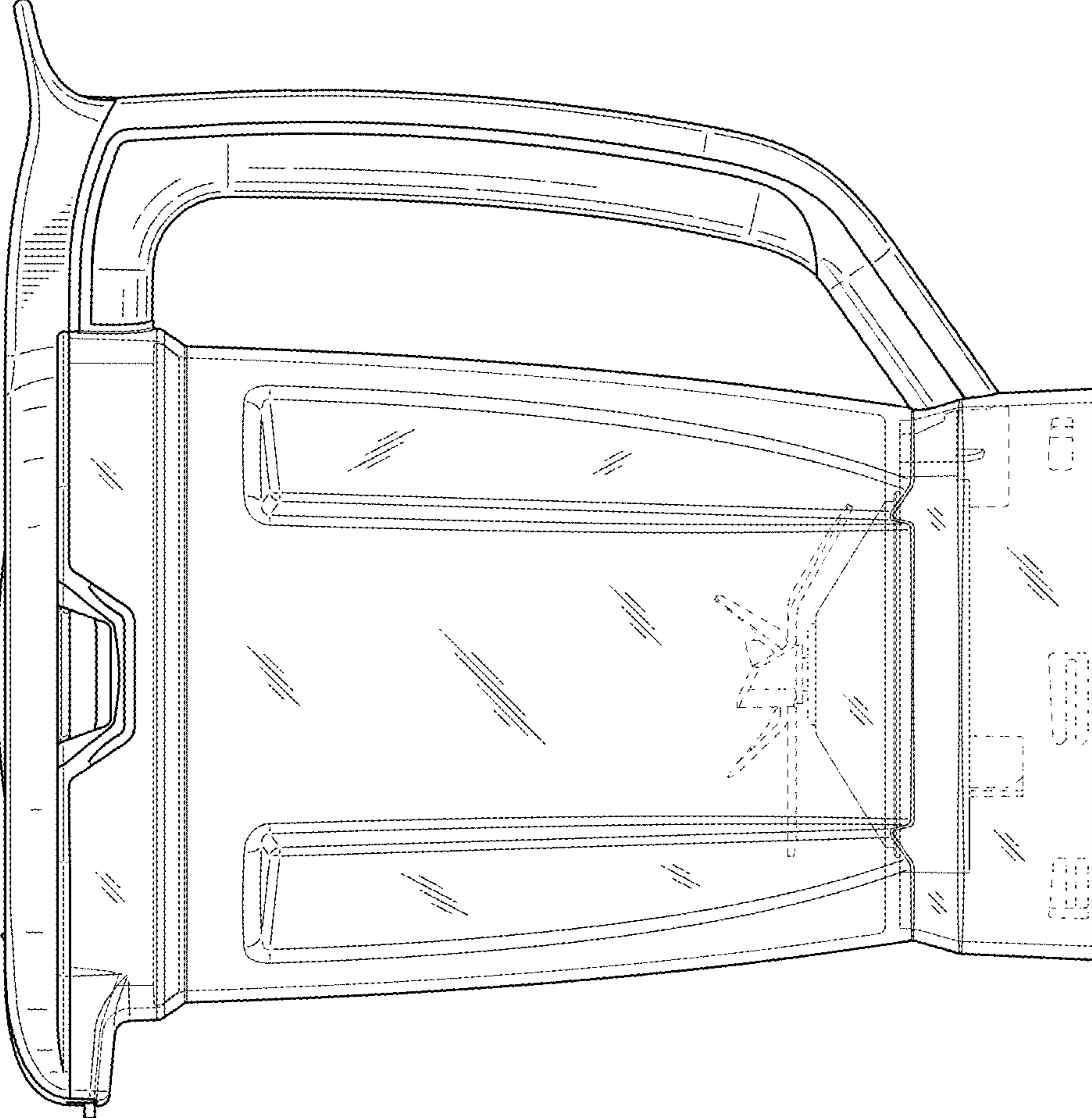


FIG. 19

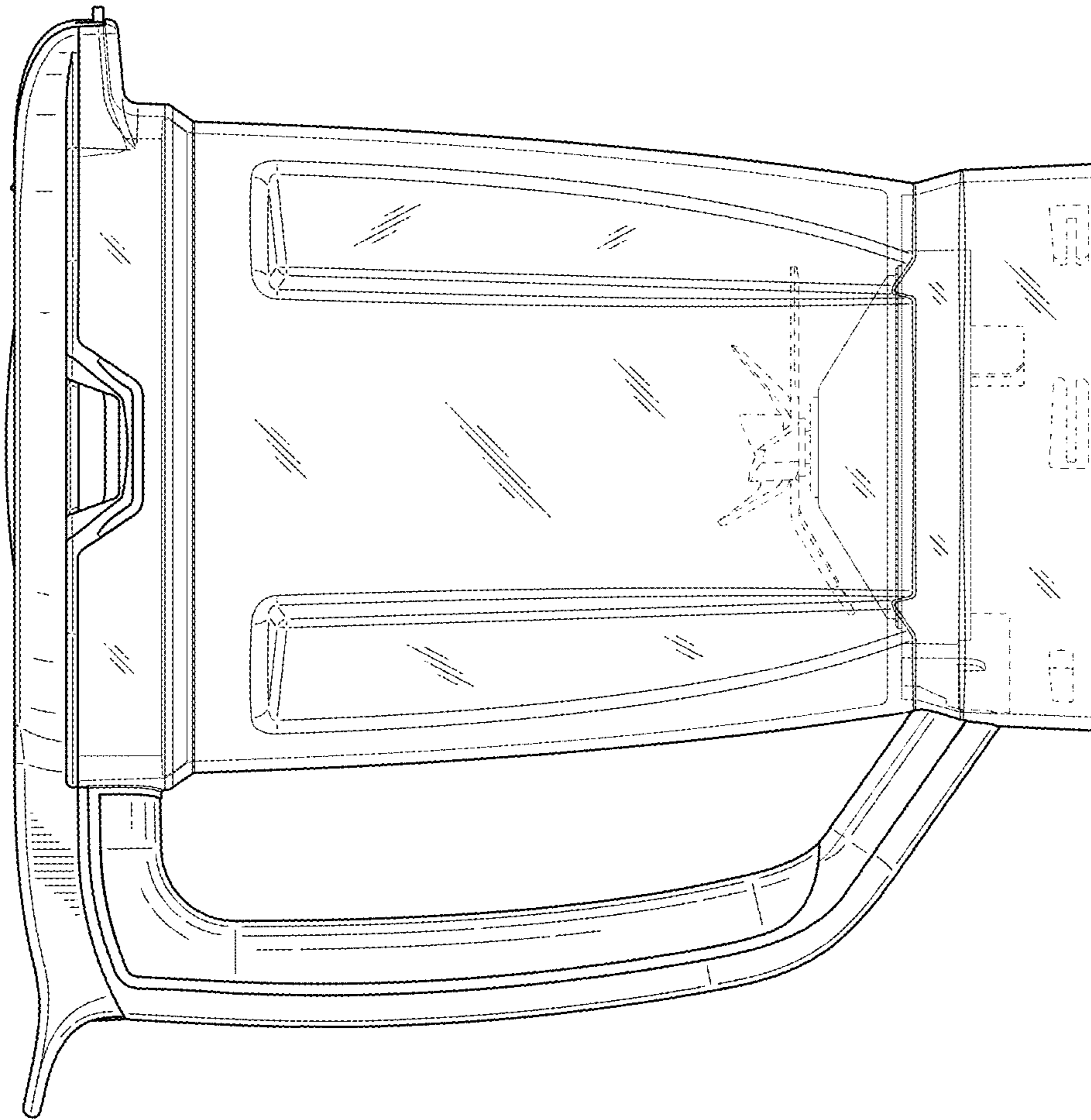


FIG. 20

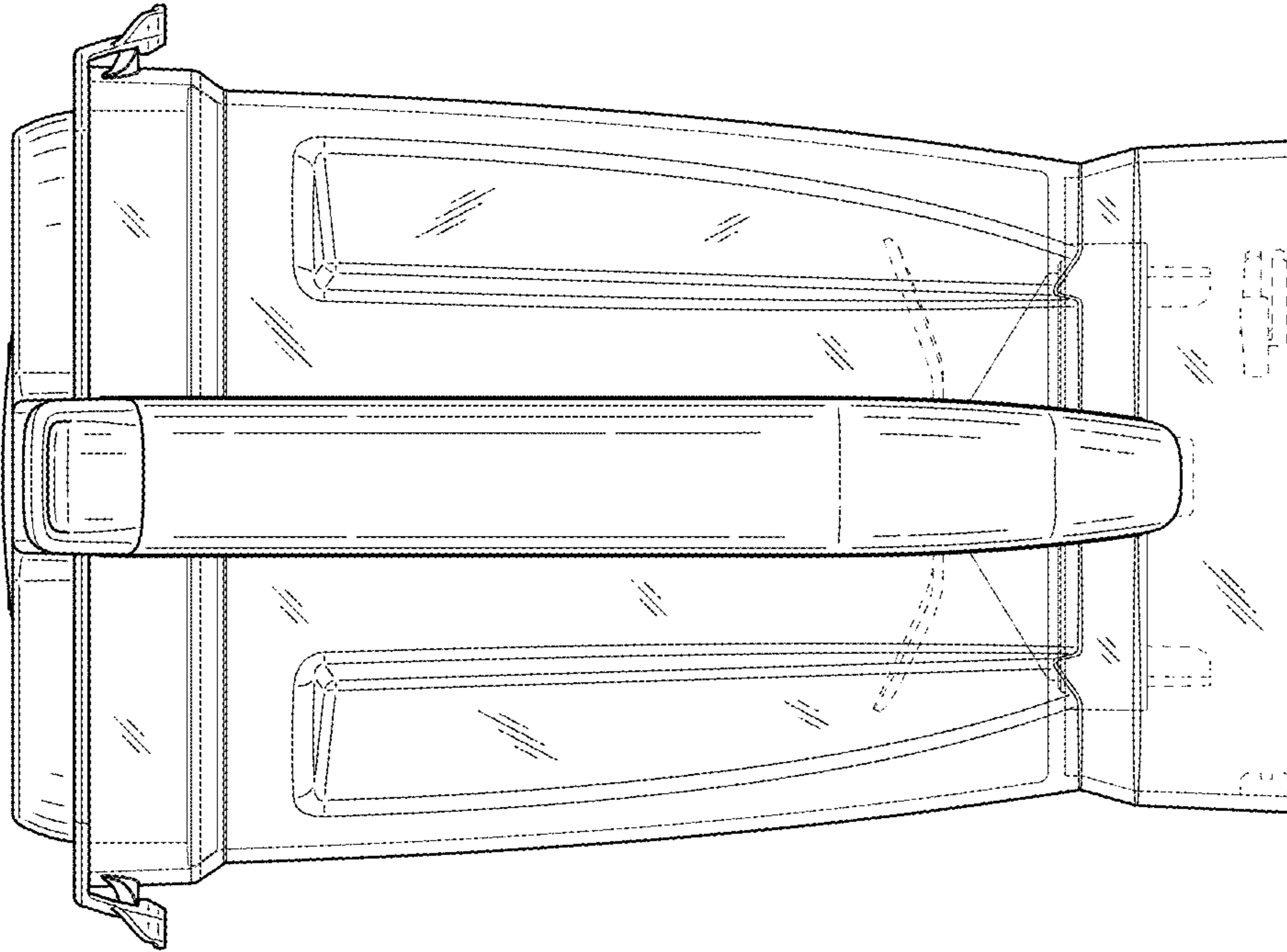


FIG. 22

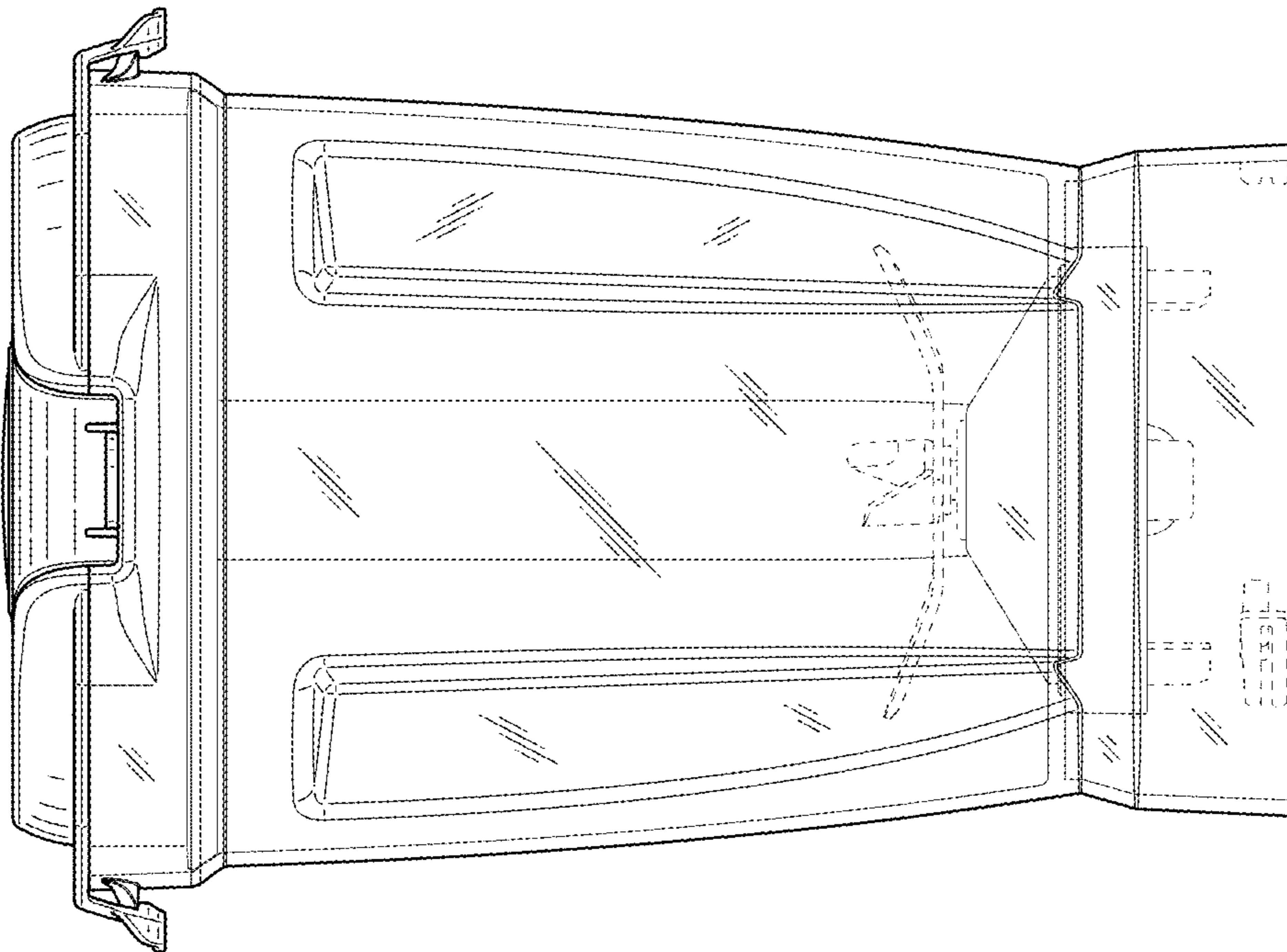
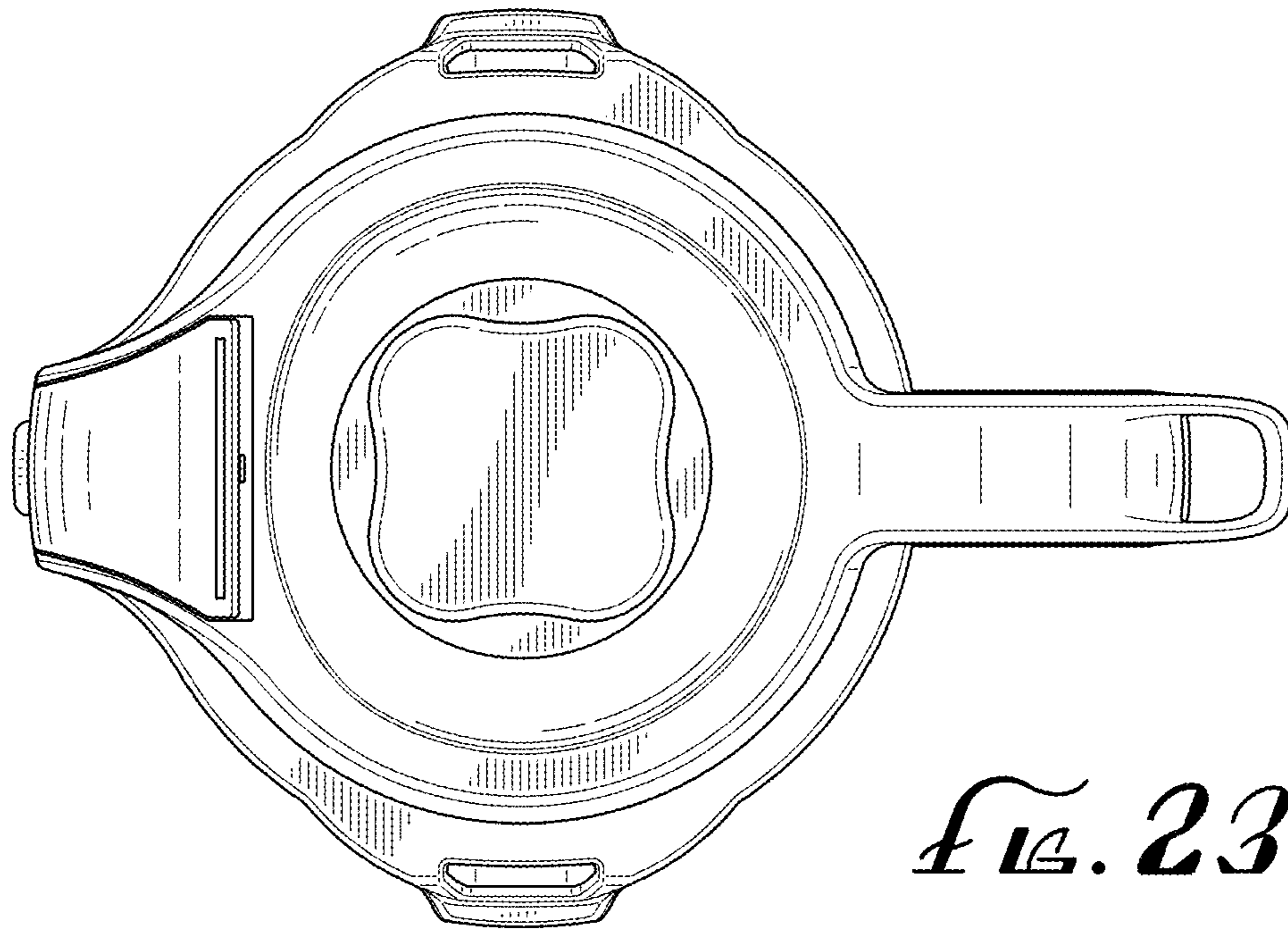
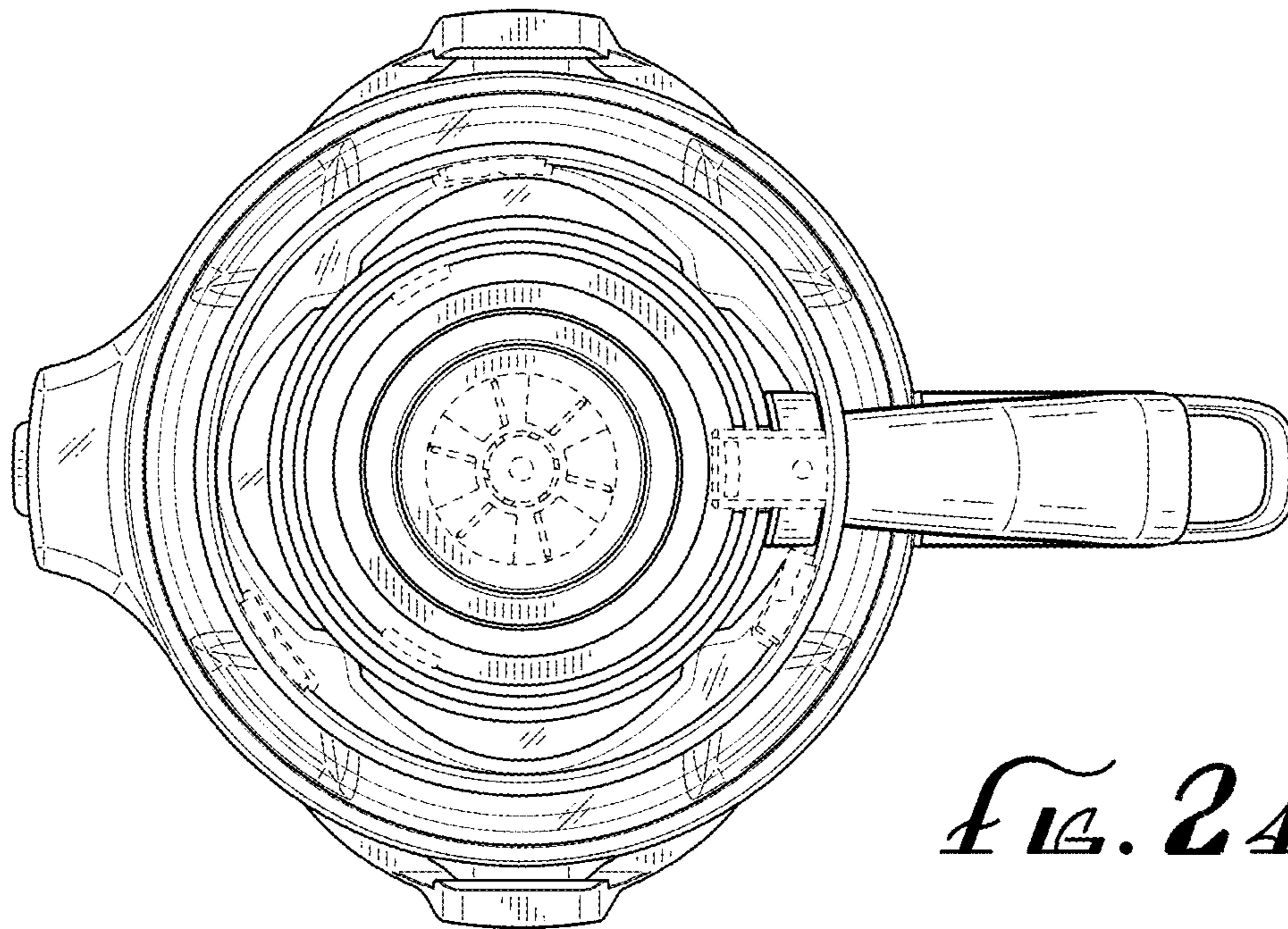


FIG. 21





*FIG. 23*



*FIG. 24*