



US00D929171S

(12) **United States Design Patent**
Long

(10) **Patent No.:** **US D929,171 S**

(45) **Date of Patent:** **** Aug. 31, 2021**

- (54) **AUTOMATED GUIDED FOOD PREPARATION DEVICE**
- (71) Applicant: **Kete Long**, Ridgefield, CT (US)
- (72) Inventor: **Kete Long**, Ridgefield, CT (US)
- (**) Term: **15 Years**
- (21) Appl. No.: **29/675,837**
- (22) Filed: **Jan. 4, 2019**
- (51) **LOC (13) Cl.** **07-02**
- (52) **U.S. Cl.**
USPC **D7/354; D7/323**
- (58) **Field of Classification Search**
USPC D7/306, 323, 350.2, 354-361
CPC A23L 1/01; A23L 1/0107; A23L 1/0114;
A47J 27/00; A47J 27/08; A47J 27/09;
A47J 27/092; A47J 36/025; A47J 36/06;
A47J 36/08; A47J 36/10; A47J 36/12;
A47J 36/165; A47J 36/18; A47J 36/20;
A47J 36/22; A47J 37/00; A47J 37/12;
A47J 37/1204; A47J 37/1209; A47J
37/1214; A47J 37/1219; A47J 37/1266;
A47J 37/1285; A47J 37/129; A47J
37/1295; G07F 17/0064; G07F 17/0078;
G07F 17/0085; H05B 6/02; H05B 6/06;
H05B 6/12
See application file for complete search history.

- D570,636 S * 6/2008 Kulujiian D7/306
- D625,545 S * 10/2010 McLemore A23L 5/11
D7/354
- D821,804 S * 7/2018 Wessels D7/354
- D862,152 S * 10/2019 Huang D7/354
- D875,462 S * 2/2020 Chen D7/354
- D879,540 S * 3/2020 Chen D7/354
- 2015/0060481 A1* 3/2015 Murray B65D 83/06
222/1
- 2015/0327717 A1* 11/2015 Burrows A47J 31/407
99/295
- 2016/0150915 A1* 6/2016 Yu A47J 43/046
99/327

* cited by examiner

Primary Examiner — Ricky Pham

(57) **CLAIM**

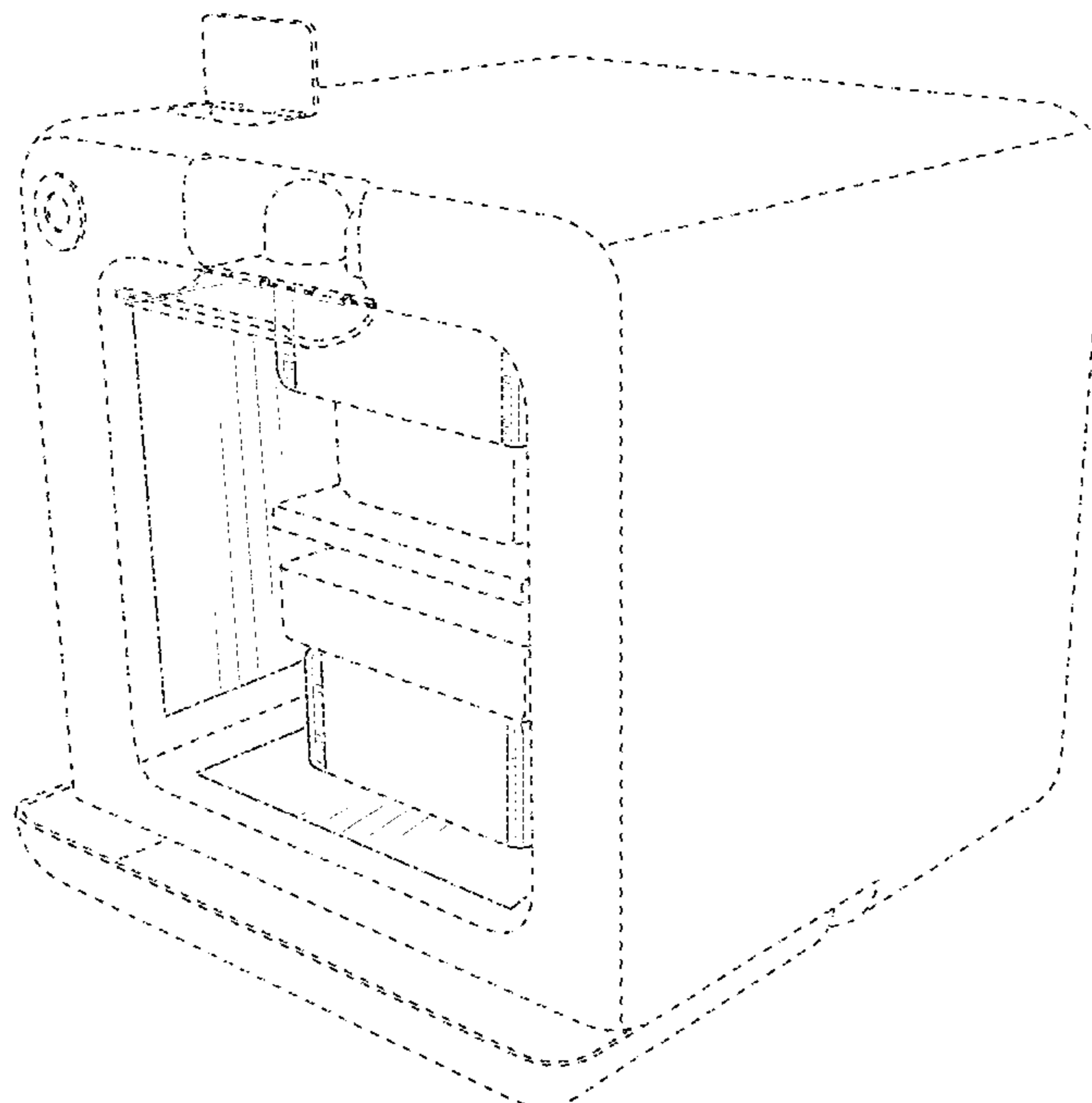
I claim the ornamental design for an automated guided food preparation device, as shown and described.

DESCRIPTION

FIG. 1 is a first perspective view of my new design in a first configuration.
 FIG. 2 is a second perspective view of my new design in a second configuration.
 FIG. 3 is a front view thereof.
 FIG. 4 is a right-side view thereof.
 FIG. 5 is rear view thereof.
 FIG. 6 is a left-side view thereof.
 FIG. 7 is a top view thereof; and,
 FIG. 8 is a bottom view thereof.
 The broken lines showing elements of the automated guided food preparation device in the above-described figures are for illustrative purposes only and form no part of the claimed design.

- (56) **References Cited**
U.S. PATENT DOCUMENTS
D311,848 S * 11/1990 Mikami D7/350.2
D379,735 S * 6/1997 Hamada D7/350.2
D474,937 S * 5/2003 Josancy D7/354
D522,799 S * 6/2006 Kassenaar D7/350.2

1 Claim, 8 Drawing Sheets



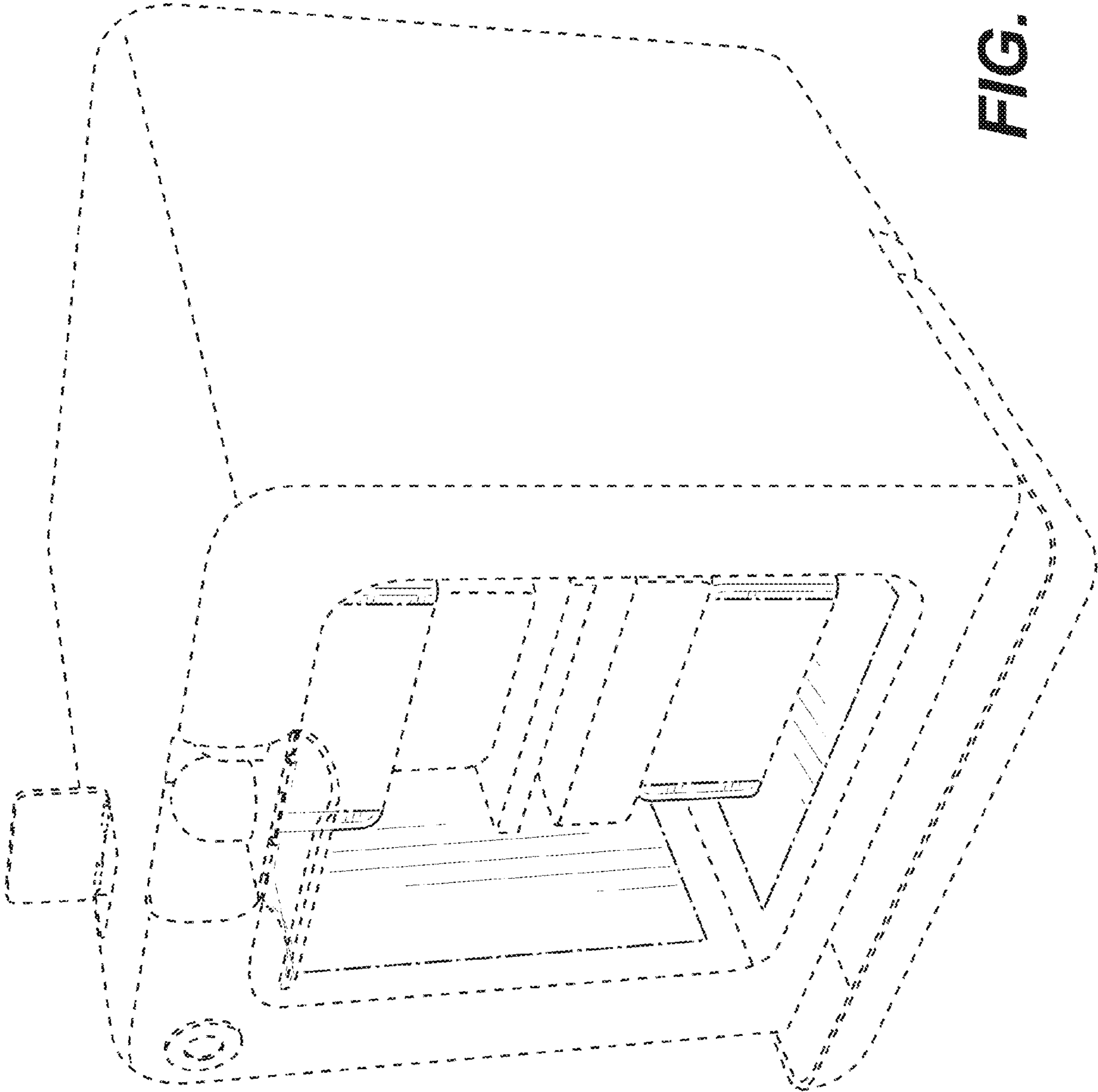


FIG. 1

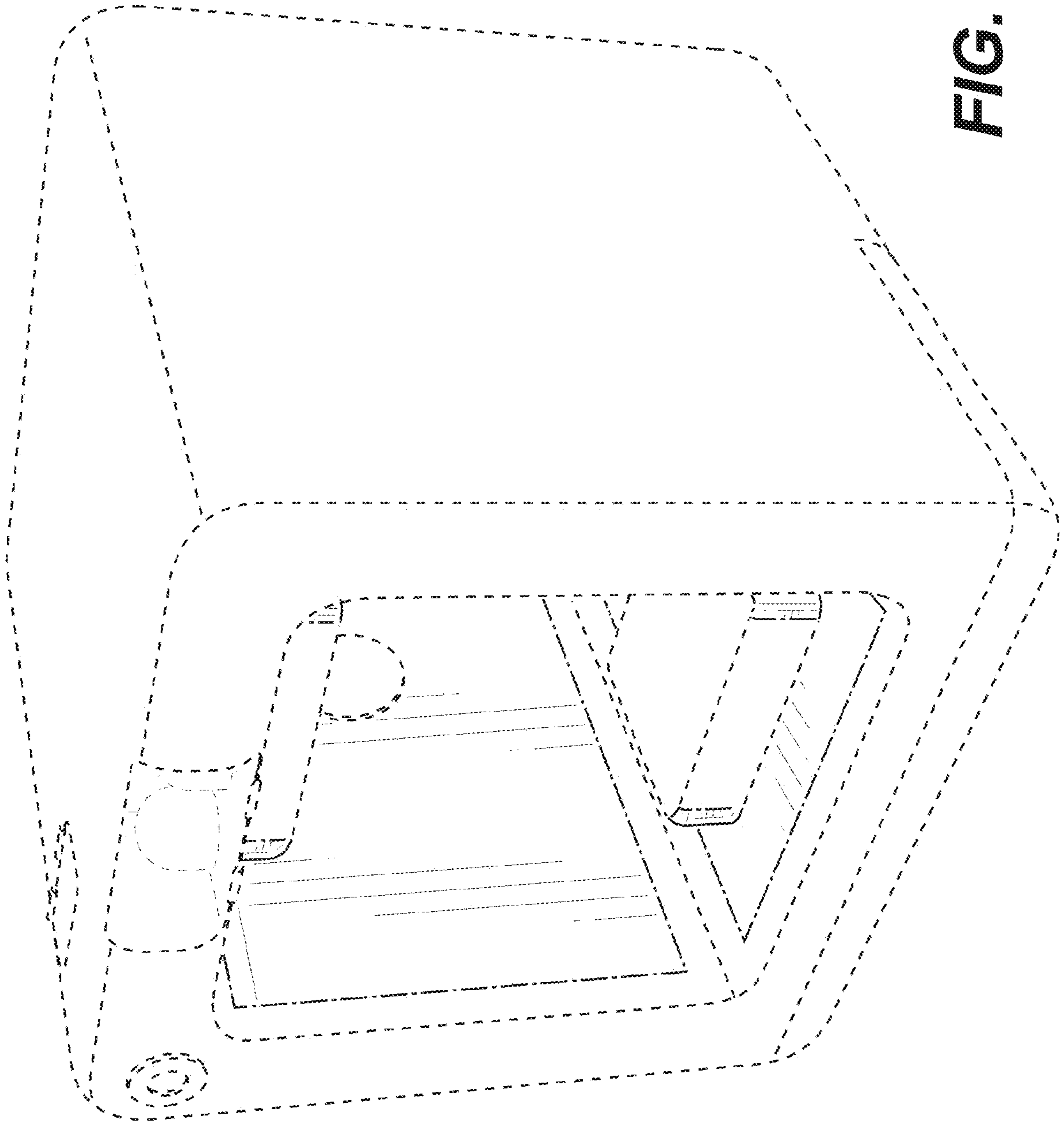


FIG. 2

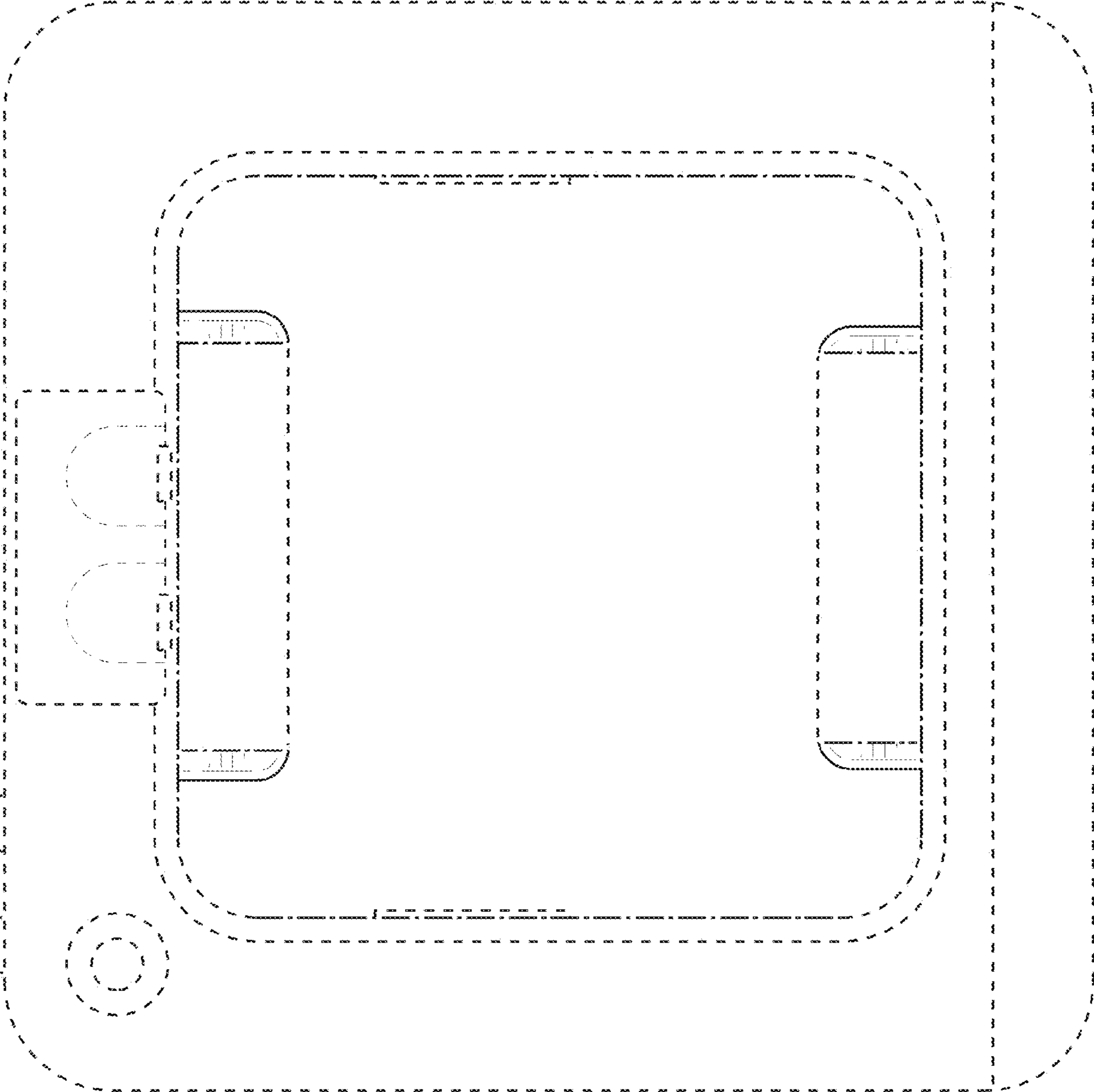


FIG. 3

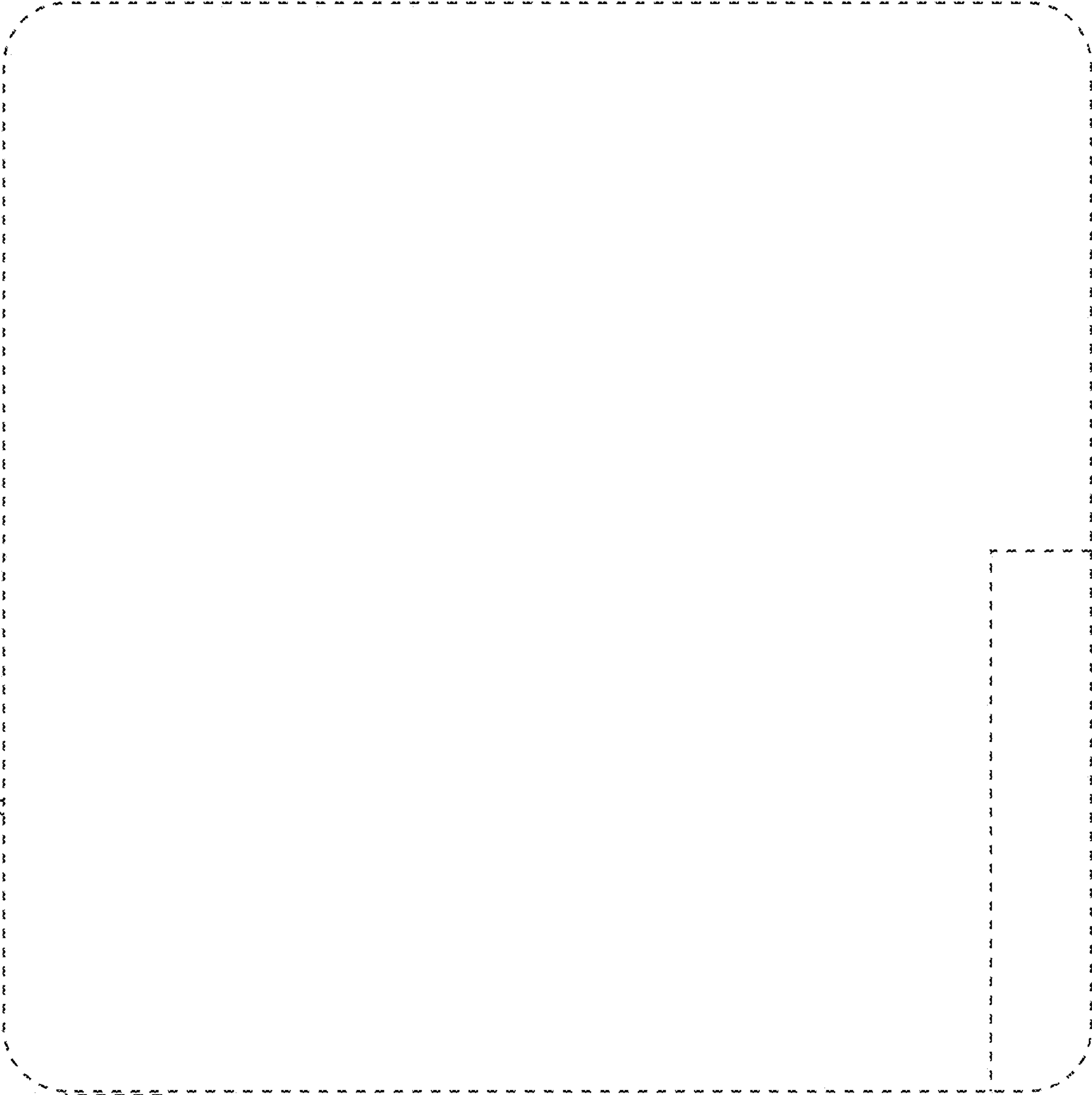


FIG. 4

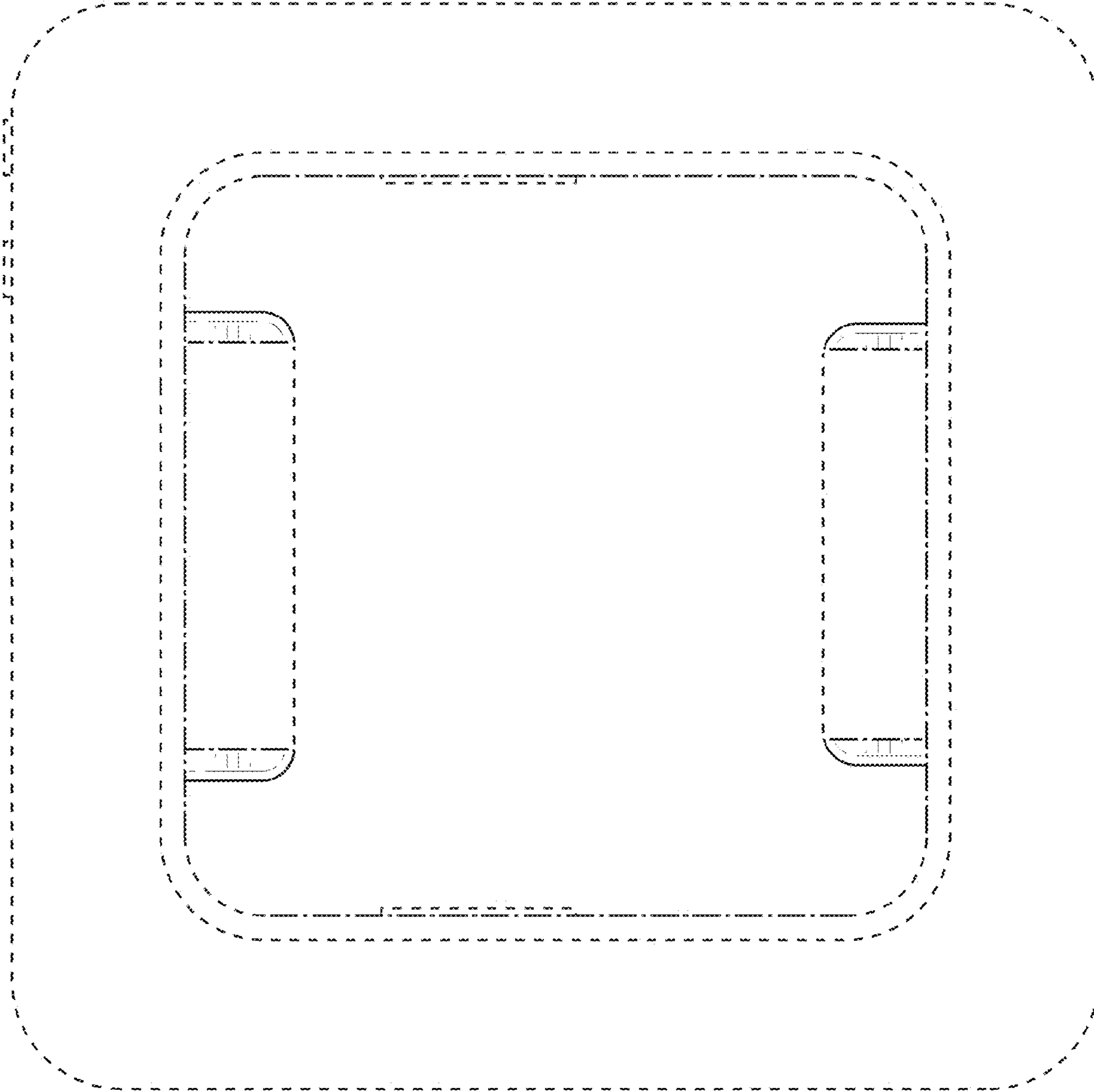
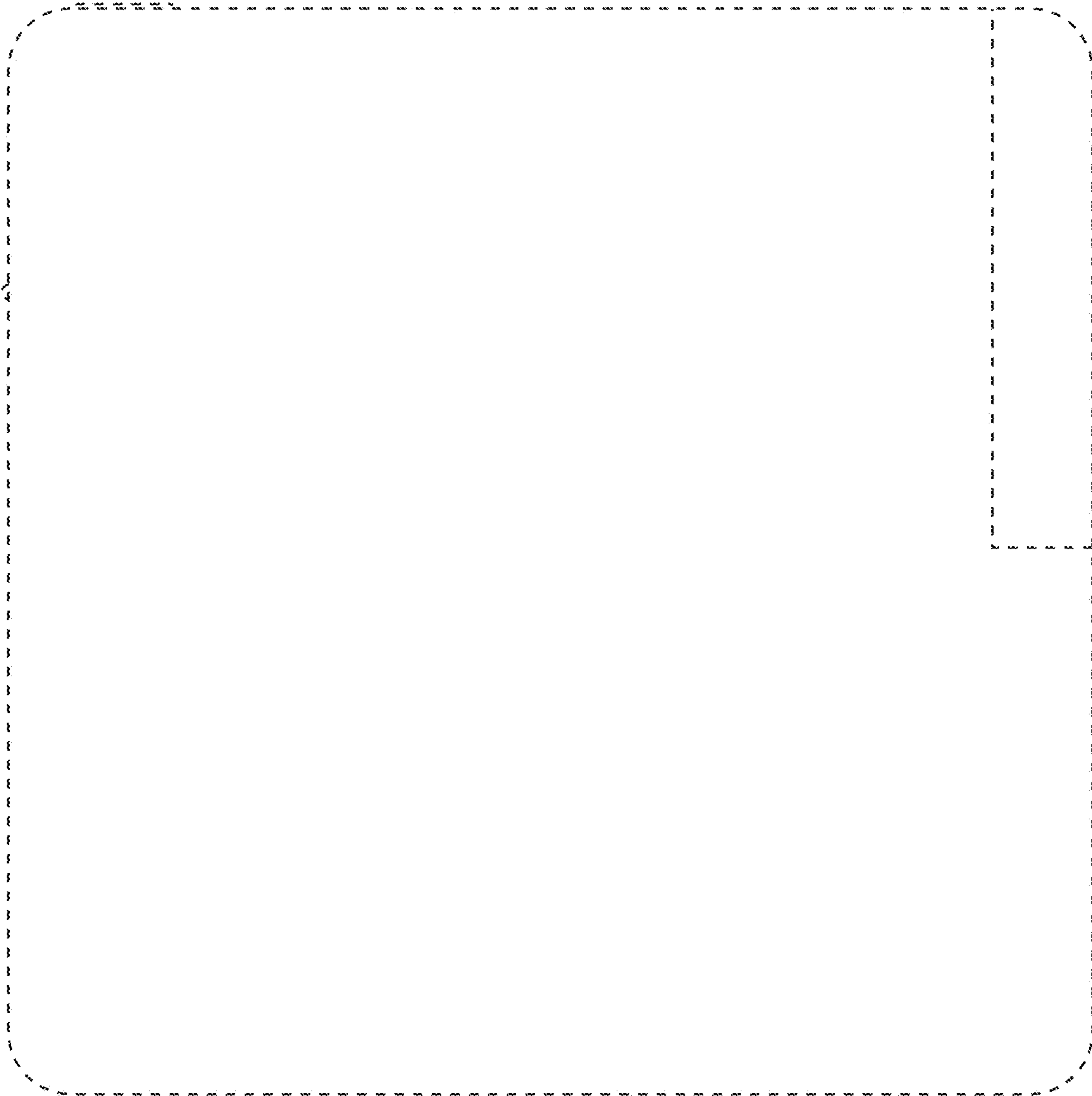


FIG. 5

FIG. 6



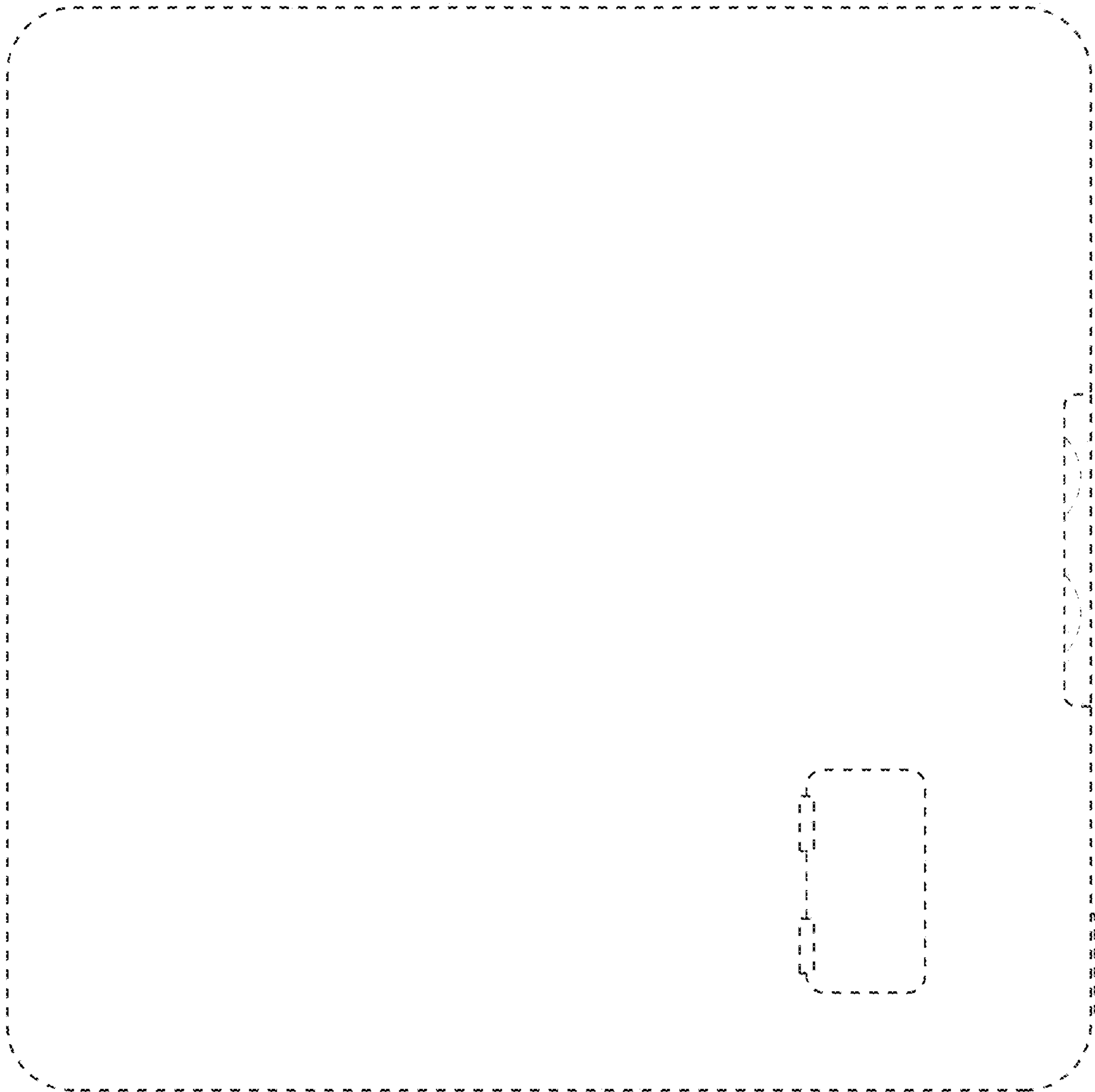


FIG. 7

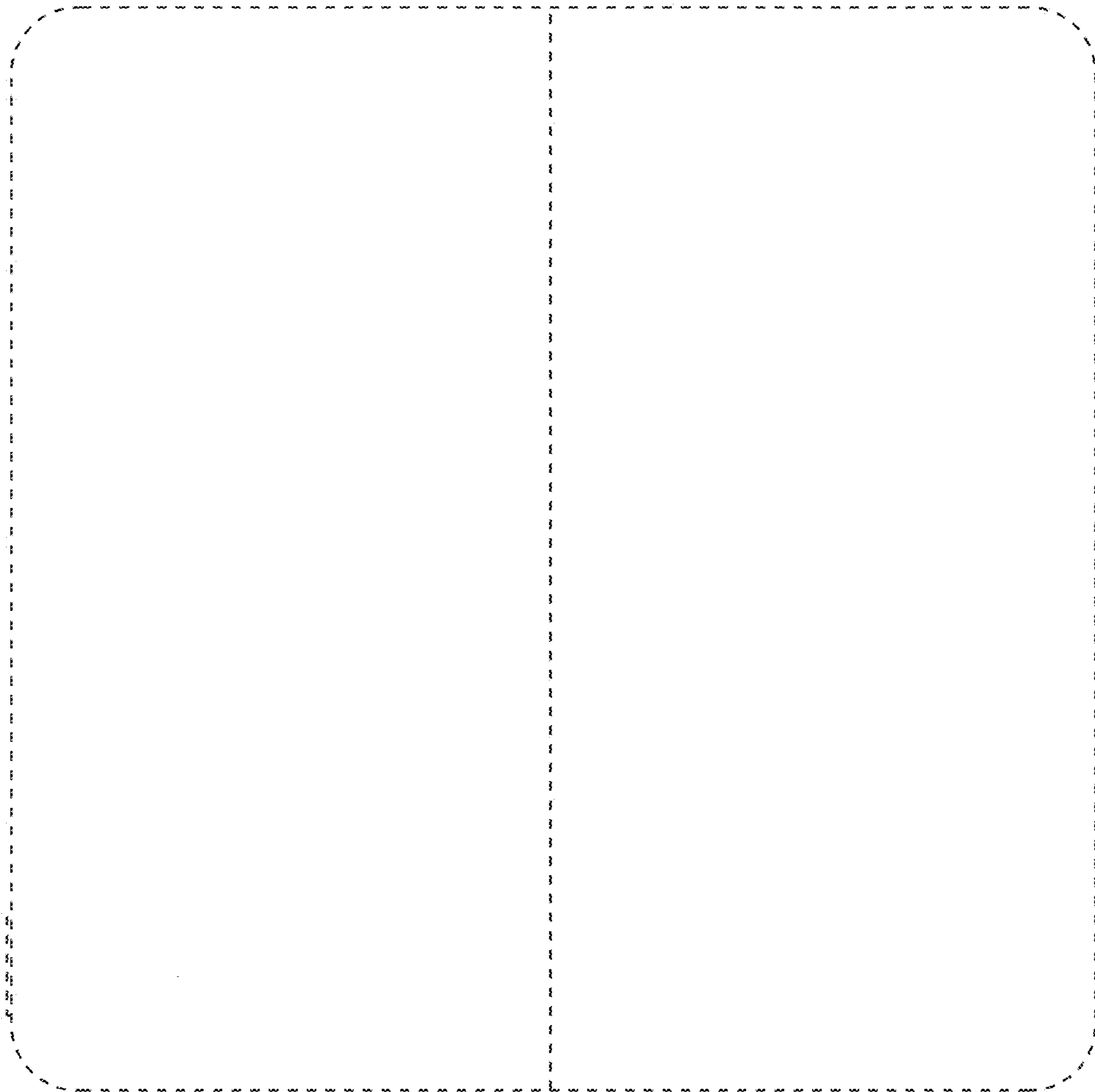


FIG. 8