

US00D929170S

(12) **United States Design Patent**  
**Wu**

(10) **Patent No.:** **US D929,170 S**

(45) **Date of Patent:** **\*\* Aug. 31, 2021**

(54) **PIZZA OVEN**

(71) Applicant: **Yongjie Wu**, Fenghua (CN)

(72) Inventor: **Yongjie Wu**, Fenghua (CN)

(\*\*) Term: **15 Years**

(21) Appl. No.: **29/763,495**

(22) Filed: **Dec. 22, 2020**

(30) **Foreign Application Priority Data**

Jul. 31, 2020 (CN) ..... 202030428699.8

(51) **LOC (13) Cl.** ..... **07-02**

(52) **U.S. Cl.**  
USPC ..... **D7/348**

(58) **Field of Classification Search**  
USPC ..... D7/323, 328-334, 339-349, 350.1, 390,  
D7/402-406; D8/300-306; D23/342,  
D23/343  
CPC ... A21B 2/00; A47J 37/00; A47J 37/06; A47J  
37/0611; A47J 37/0704; A47J 37/08;  
A47J 37/0807; A47J 37/0814; A47J  
37/0835; A47J 37/0842; A47J 37/085;  
A47J 37/0864; A47J 37/0878; A47J  
37/0885; A47J 37/0892; F24C 7/00; F24C  
7/002; F24C 7/046; F24C 7/067; F24C  
15/02; F24C 15/04; F24C 15/10; F24C  
15/102

See application file for complete search history.

(56) **References Cited**

**U.S. PATENT DOCUMENTS**

D251,385 S \* 3/1979 Zimmer ..... D23/343  
D275,516 S \* 9/1984 Perrin, Sr. .... D23/343  
D688,507 S \* 8/2013 Hill ..... D7/323  
D693,166 S \* 11/2013 Measom ..... D7/350.1

D693,174 S 11/2013 Measom  
D775,489 S \* 1/2017 Zemel ..... D7/332  
9,907,435 B2 \* 3/2018 Kohler ..... A47J 37/0704  
D820,026 S \* 6/2018 Russo Krauss ..... D7/339  
D845,695 S \* 4/2019 Wu ..... D7/334  
D849,908 S \* 5/2019 Wu ..... D23/343  
D880,217 S \* 4/2020 Tseng ..... D7/348  
D909,551 S \* 2/2021 Wu ..... D23/342  
2001/0035176 A1 \* 11/2001 Bush, III ..... A47J 37/0704  
126/25 R

**OTHER PUBLICATIONS**

Red Stag Outdoor Pizza Oven by Unifit. Date First Available on Amazon.com Nov. 30, 2019 <https://www.amazon.com/dp/B0822RGX5G/ref> (Year: 2019).\*

\* cited by examiner

*Primary Examiner* — Ricky Pham

(74) *Attorney, Agent, or Firm* — Justin Lampel

(57) **CLAIM**

The ornamental design for a pizza oven, as shown and described.

**DESCRIPTION**

FIG. 1 is a top perspective view of a pizza oven showing the claimed design;

FIG. 2 is a top plan view thereof;

FIG. 3 is a left side elevational view thereof;

FIG. 4 is a front elevational view thereof;

FIG. 5 is a right side elevational view thereof;

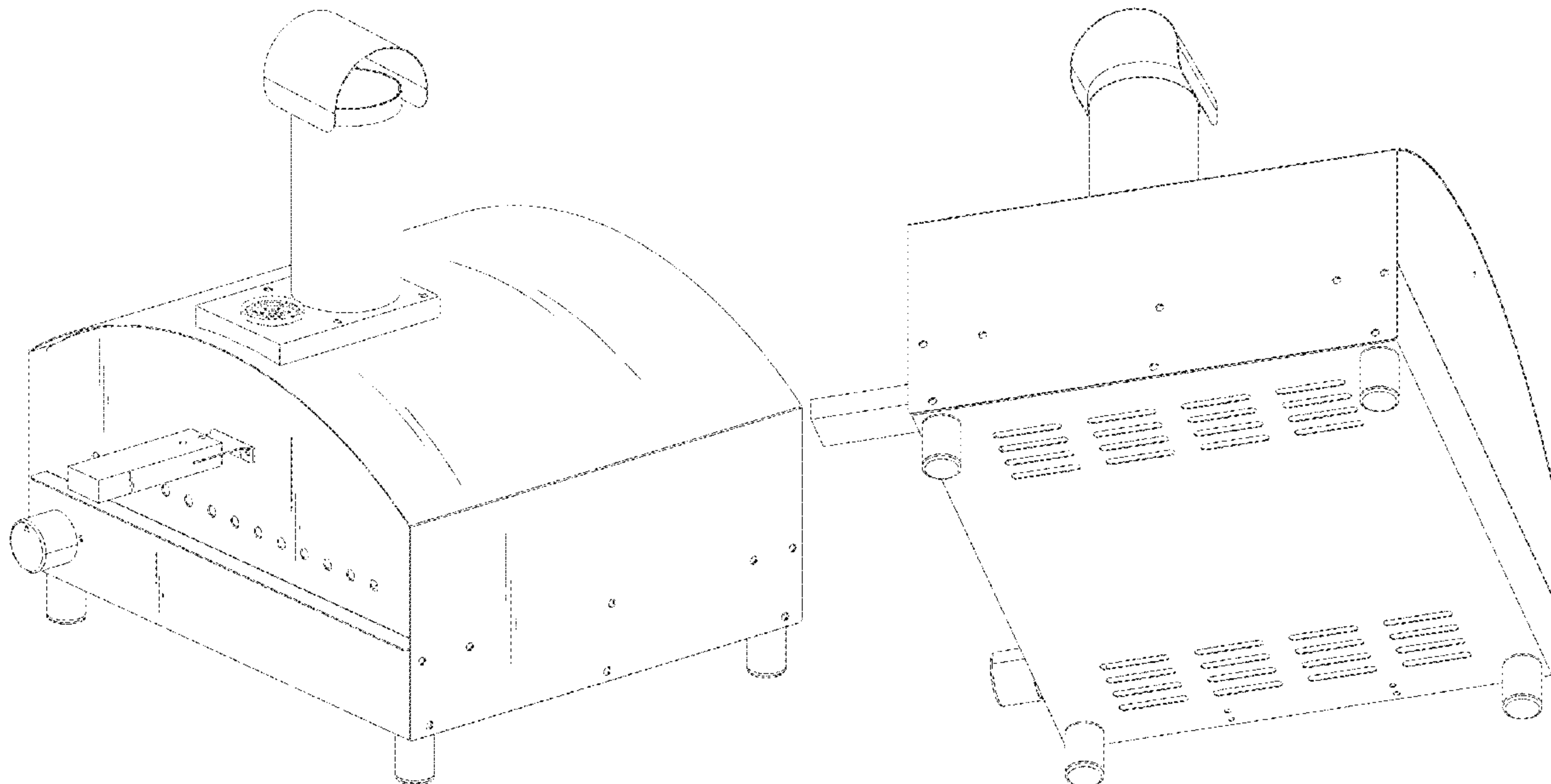
FIG. 6 is a rear elevational view thereof;

FIG. 7 is a bottom plan view thereof; and,

FIG. 8 is a bottom perspective view of a pizza oven showing my claimed design.

The broken lines illustrate portions of the pizza oven that form no part of the claimed design.

**1 Claim, 8 Drawing Sheets**



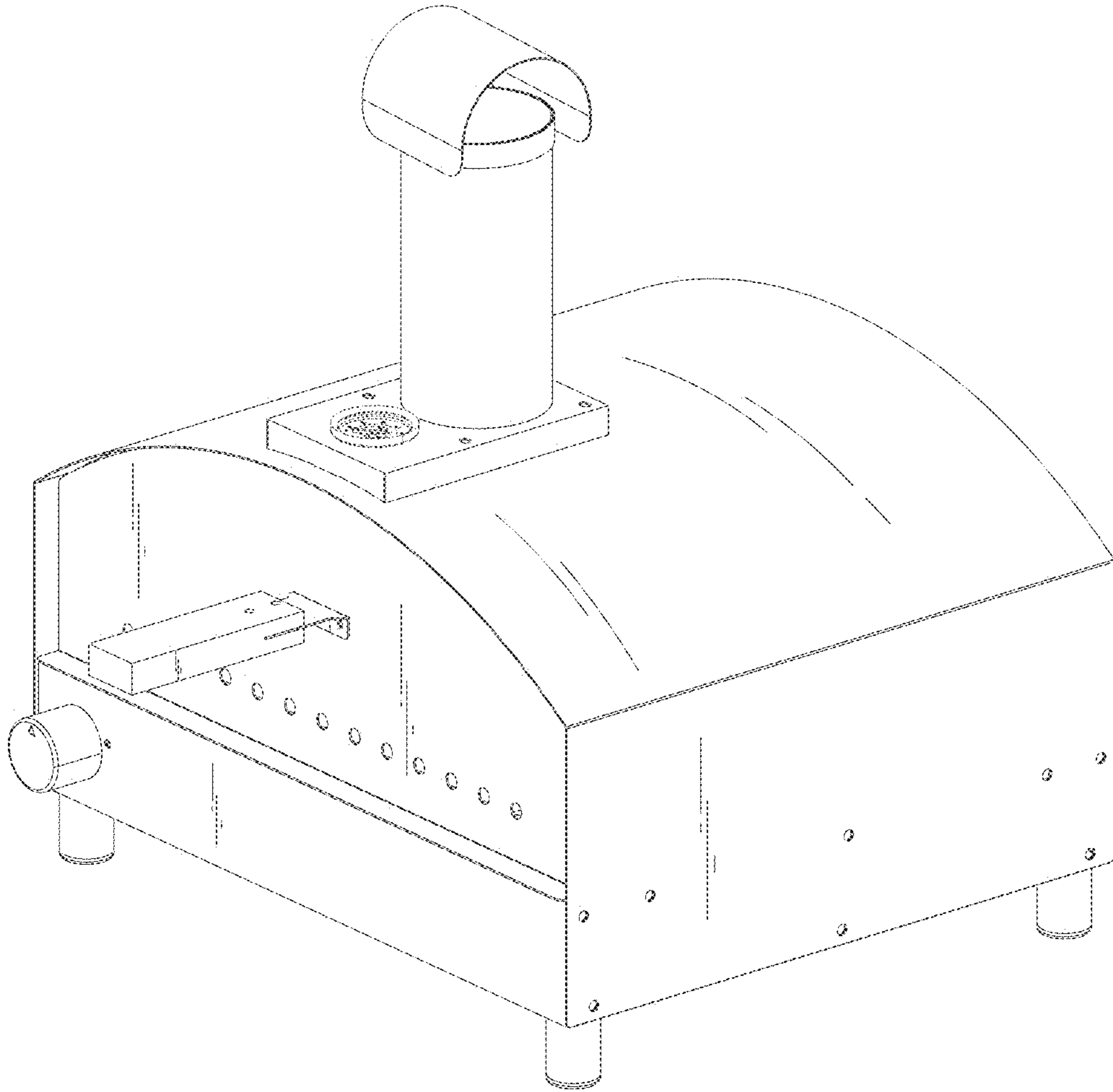


FIG.1

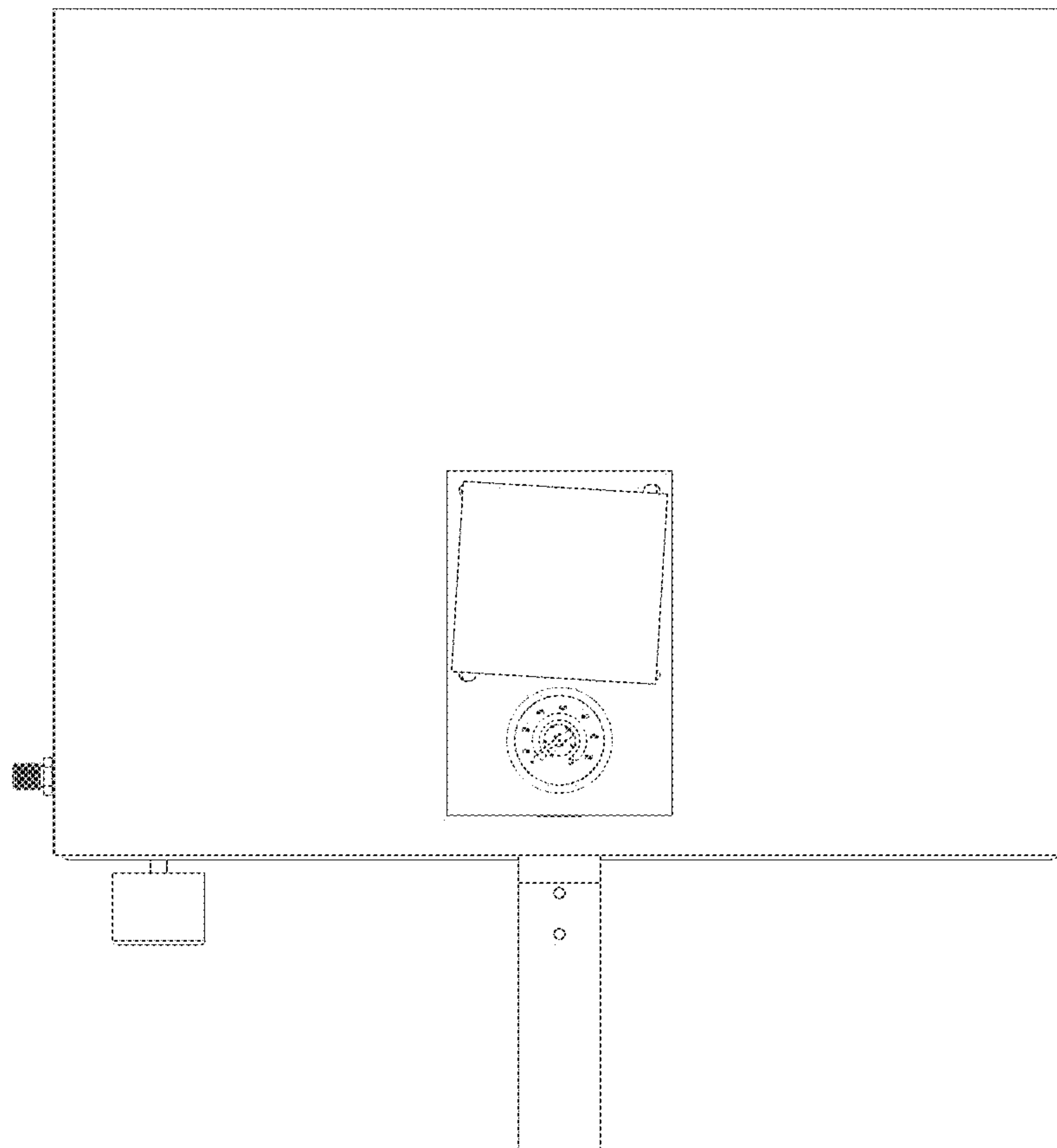


FIG. 2

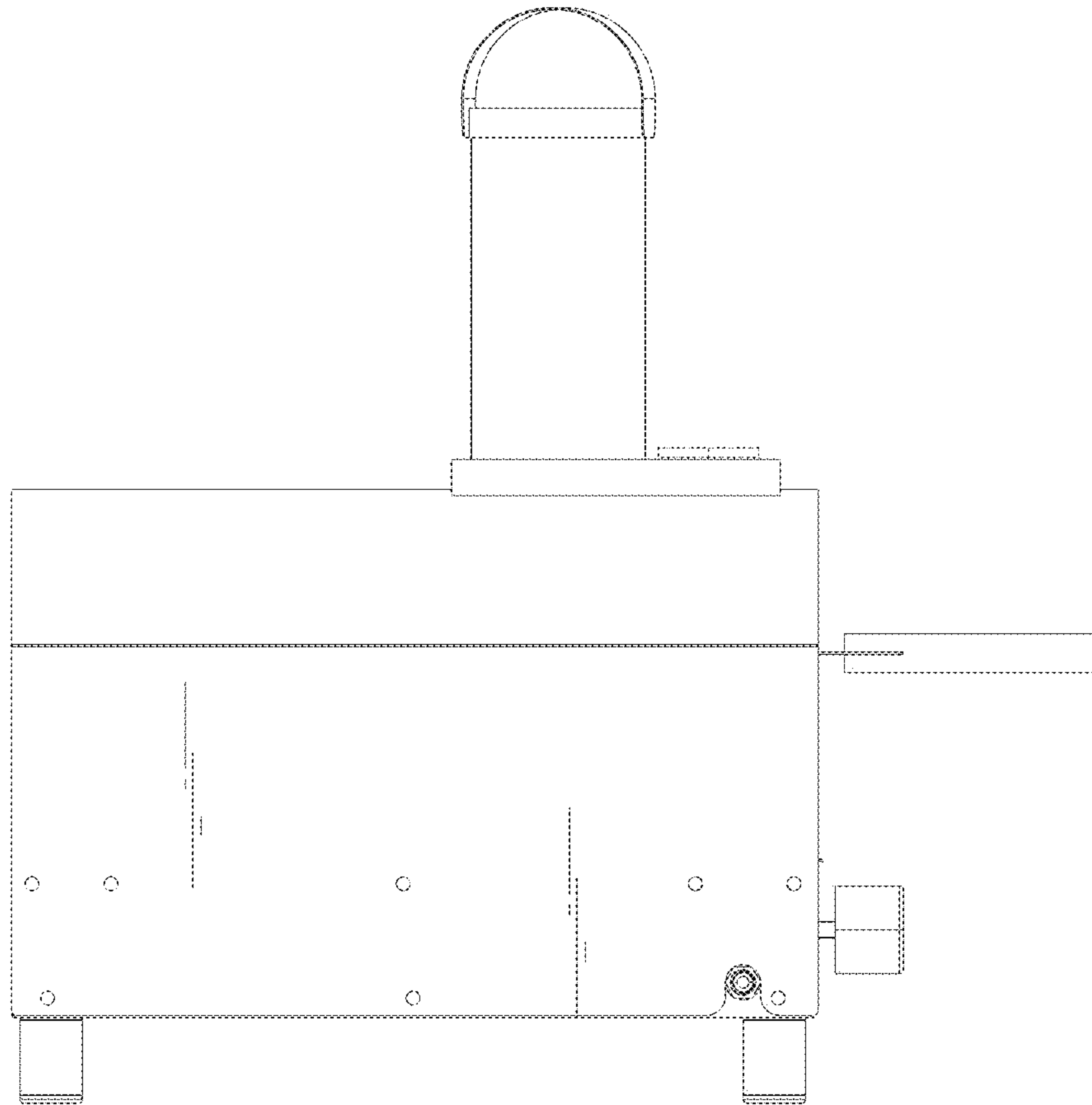


FIG. 3

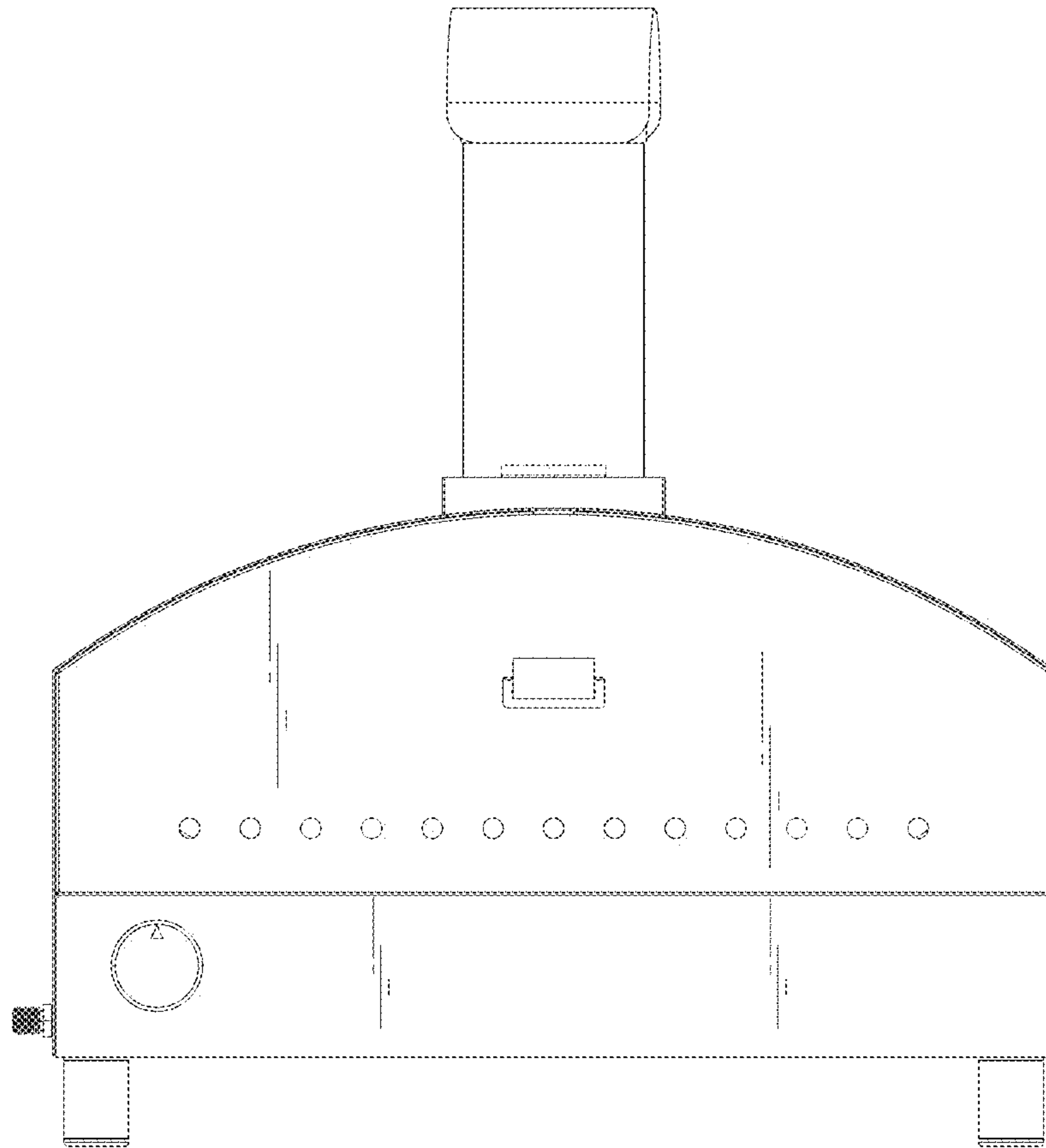


FIG.4

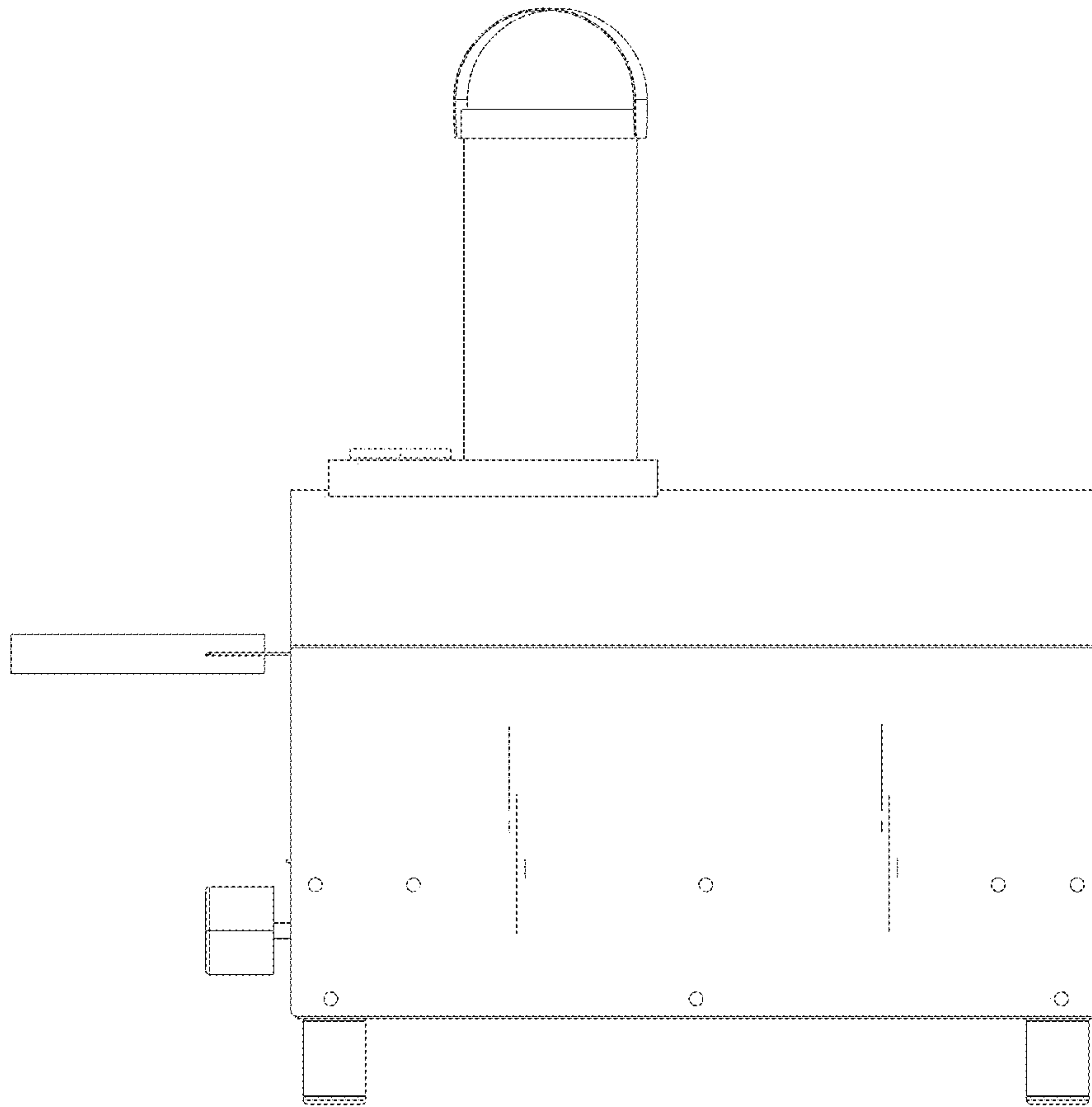


FIG.5

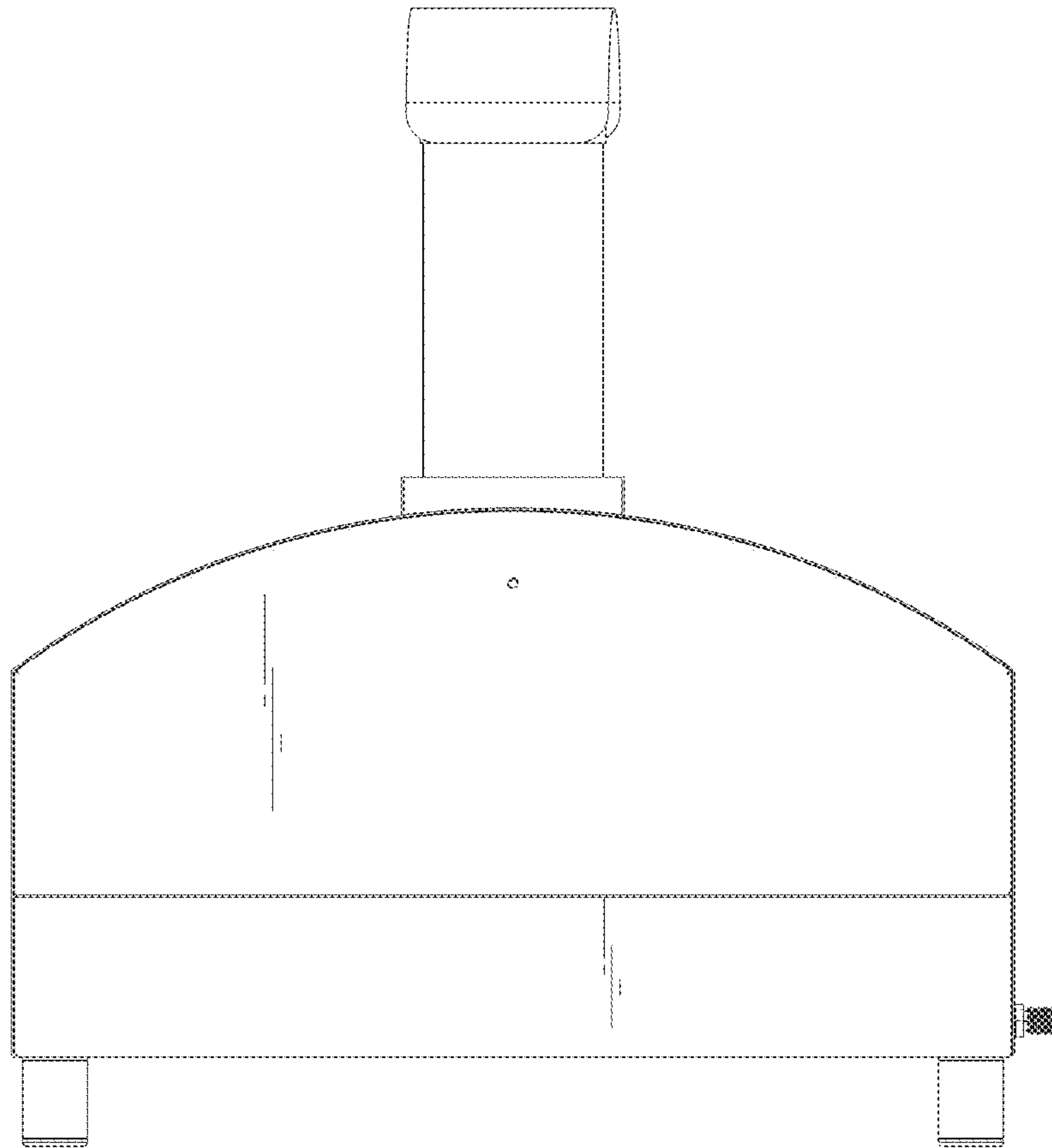


FIG.6

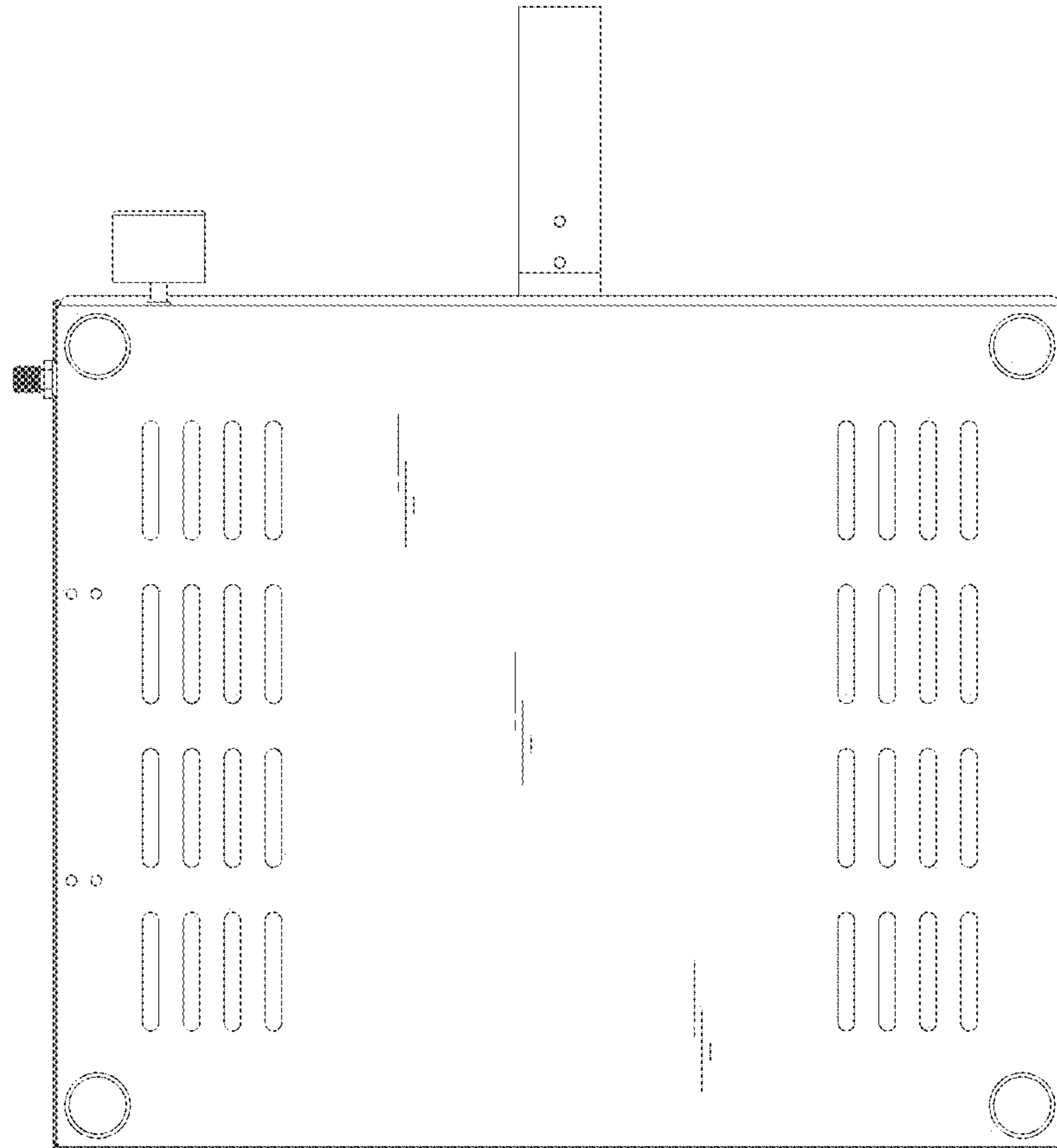


FIG. 7



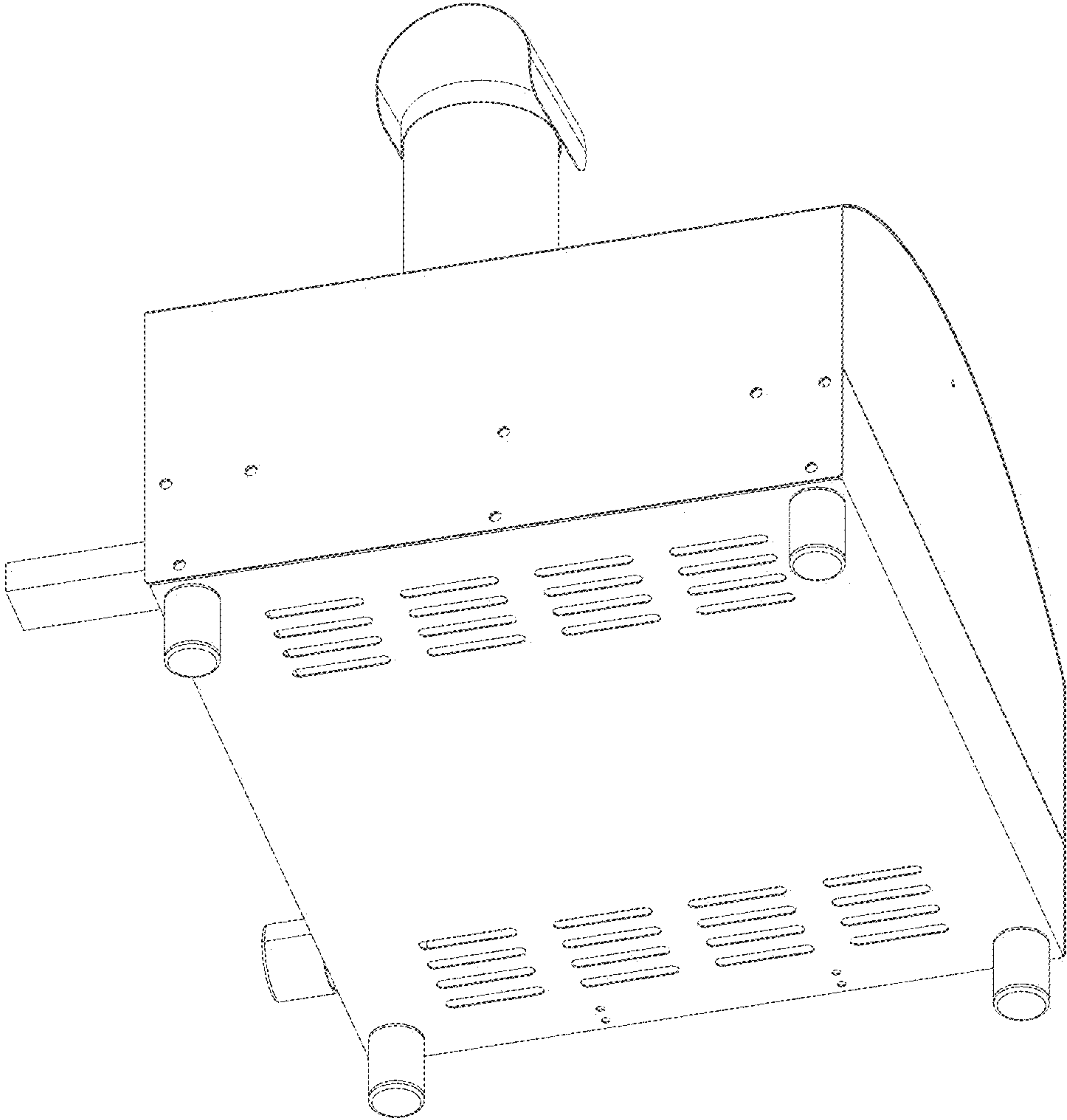


FIG.8