



US00D929168S

(12) **United States Design Patent**  
**Lin et al.**

(10) **Patent No.:** **US D929,168 S**  
(45) **Date of Patent:** **\*\* Aug. 31, 2021**

(54) **TOASTER**  
(71) Applicant: **SHENZHEN QIANHAI PATUOXUN NETWORK AND TECHNOLOGY CO., LTD.**, Shenzhen (CN)  
(72) Inventors: **Zhilin Lin**, Shenzhen (CN); **Gang Qin**, Shenzhen (CN)  
(73) Assignee: **SHENZHEN QIANHAI PATUOXUN NETWORK AND TECHNOLOGY CO., LTD.**, Shenzhen (CN)

D724,885 S \* 3/2015 Kunz ..... D7/330  
D749,348 S \* 2/2016 Carlson ..... D7/330  
D749,349 S \* 2/2016 Carlson ..... D7/330  
D796,890 S 9/2017 De' Longhi et al.  
D797,490 S \* 9/2017 Averty ..... D7/330  
D807,677 S \* 1/2018 Ho ..... D7/330  
D838,132 S \* 1/2019 Kowalewski ..... D7/330  
D886,505 S 6/2020 Thun et al.  
D886,506 S \* 6/2020 Thun ..... D7/330  
2015/0257597 A1 \* 9/2015 Marschke ..... A47J 37/0807  
99/389  
2021/0121018 A1 \* 4/2021 Denham ..... A47J 37/0807

(\*\*) Term: **15 Years**

*Primary Examiner* — Charles D Hanson

(21) Appl. No.: **29/775,717**

(57) **CLAIM**

The ornamental design for a toaster, as shown and described.

(22) Filed: **Mar. 25, 2021**

**DESCRIPTION**

(51) **LOC (13) Cl.** ..... **07-03**  
(52) **U.S. Cl.**  
USPC ..... **D7/330**  
(58) **Field of Classification Search**  
USPC ..... D7/330  
CPC ..... A47J 37/08  
See application file for complete search history.

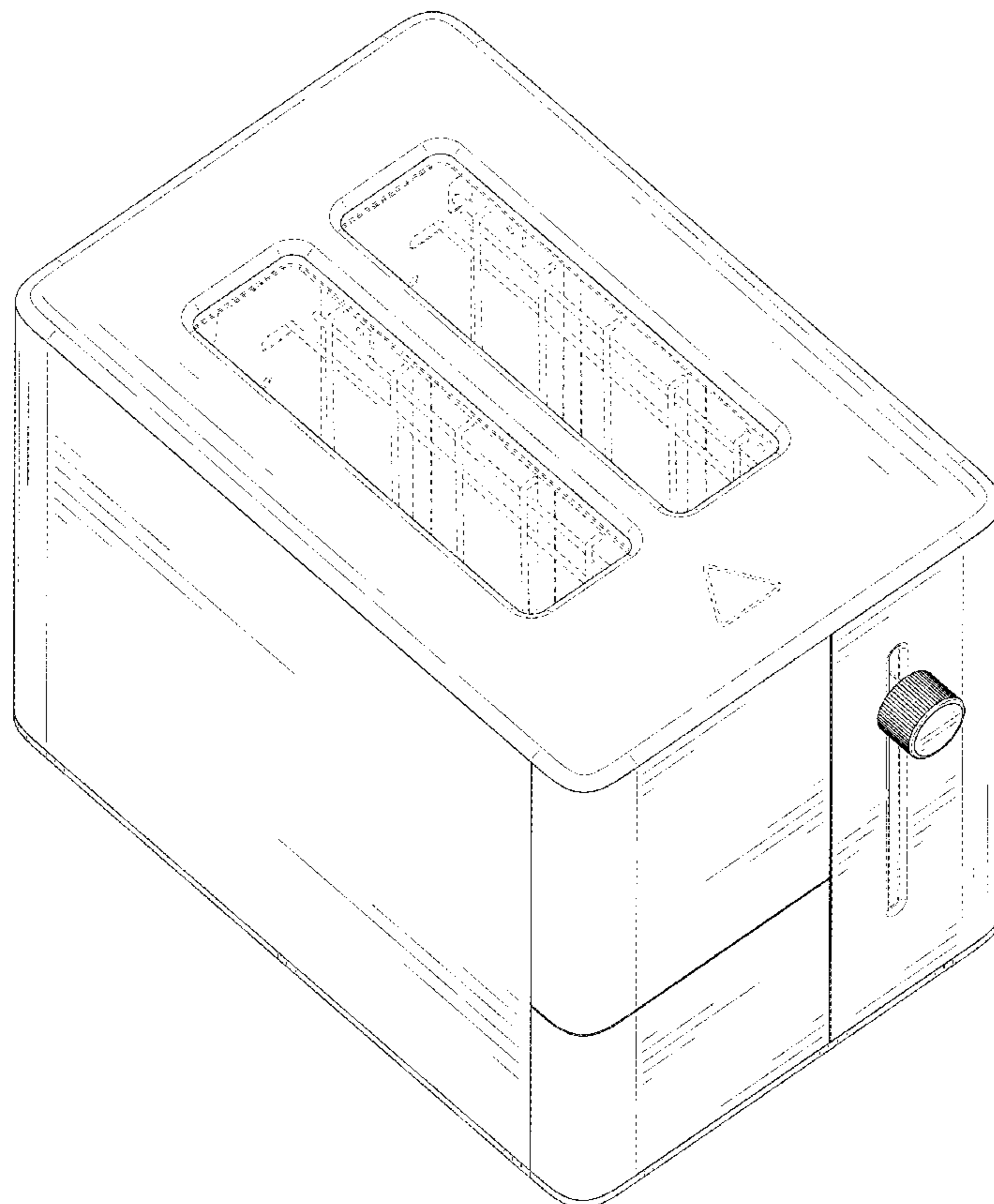
FIG. 1 is a perspective view of a toaster showing my new design;  
FIG. 2 is another perspective view thereof;  
FIG. 3 is a front elevational view thereof;  
FIG. 4 is a rear elevational view thereof;  
FIG. 5 is a left side elevational view thereof;  
FIG. 6 is a right side elevational view thereof;  
FIG. 7 is a top plan view thereof; and,  
FIG. 8 is a bottom plan view thereof.  
The broken lines in the drawings depict portions of the toaster that form no part of the claimed design.

(56) **References Cited**

**U.S. PATENT DOCUMENTS**

D413,224 S \* 8/1999 Cruz ..... D7/330  
D644,473 S \* 9/2011 Pantaleo ..... D7/330

**1 Claim, 8 Drawing Sheets**



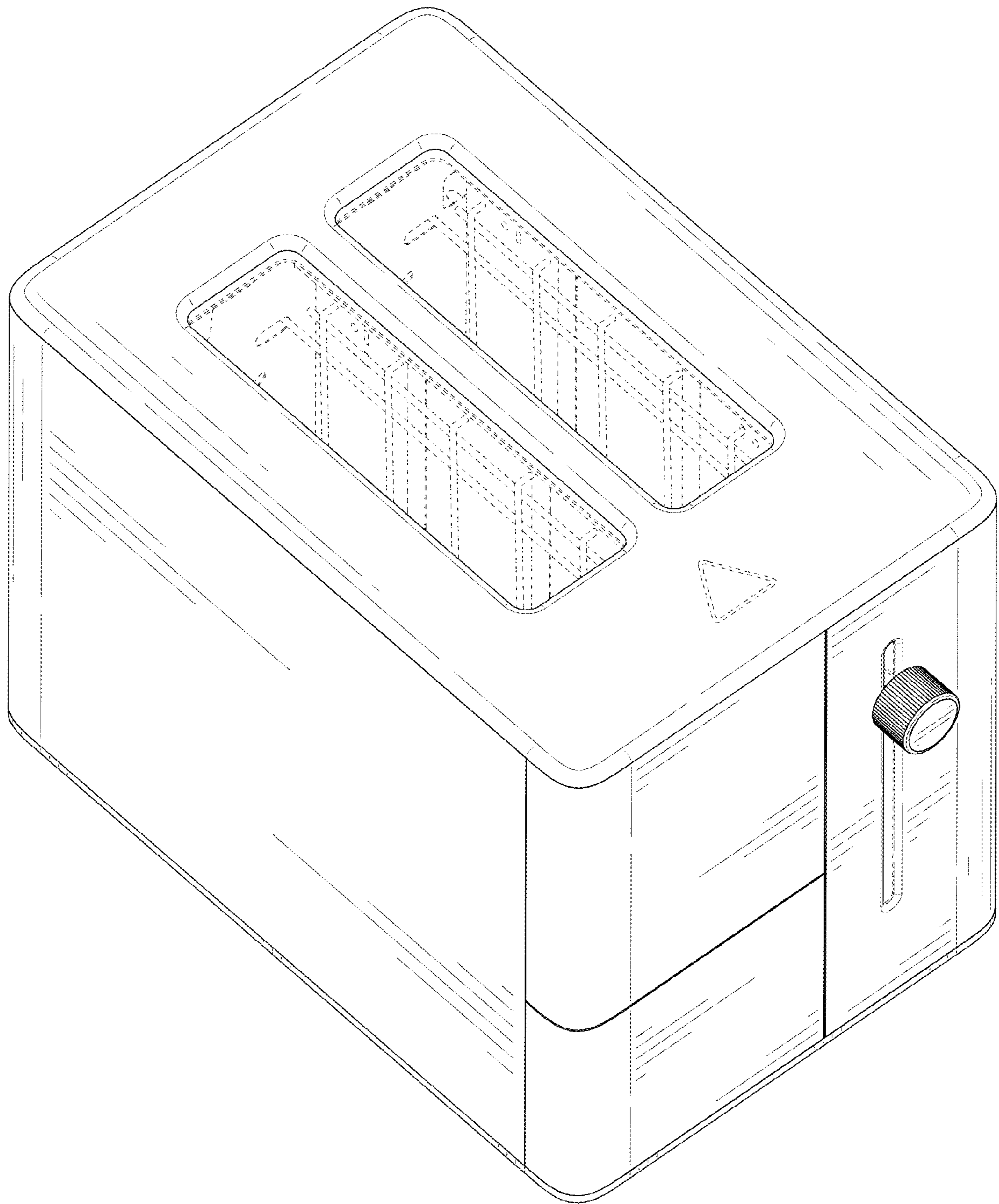


FIG. 1

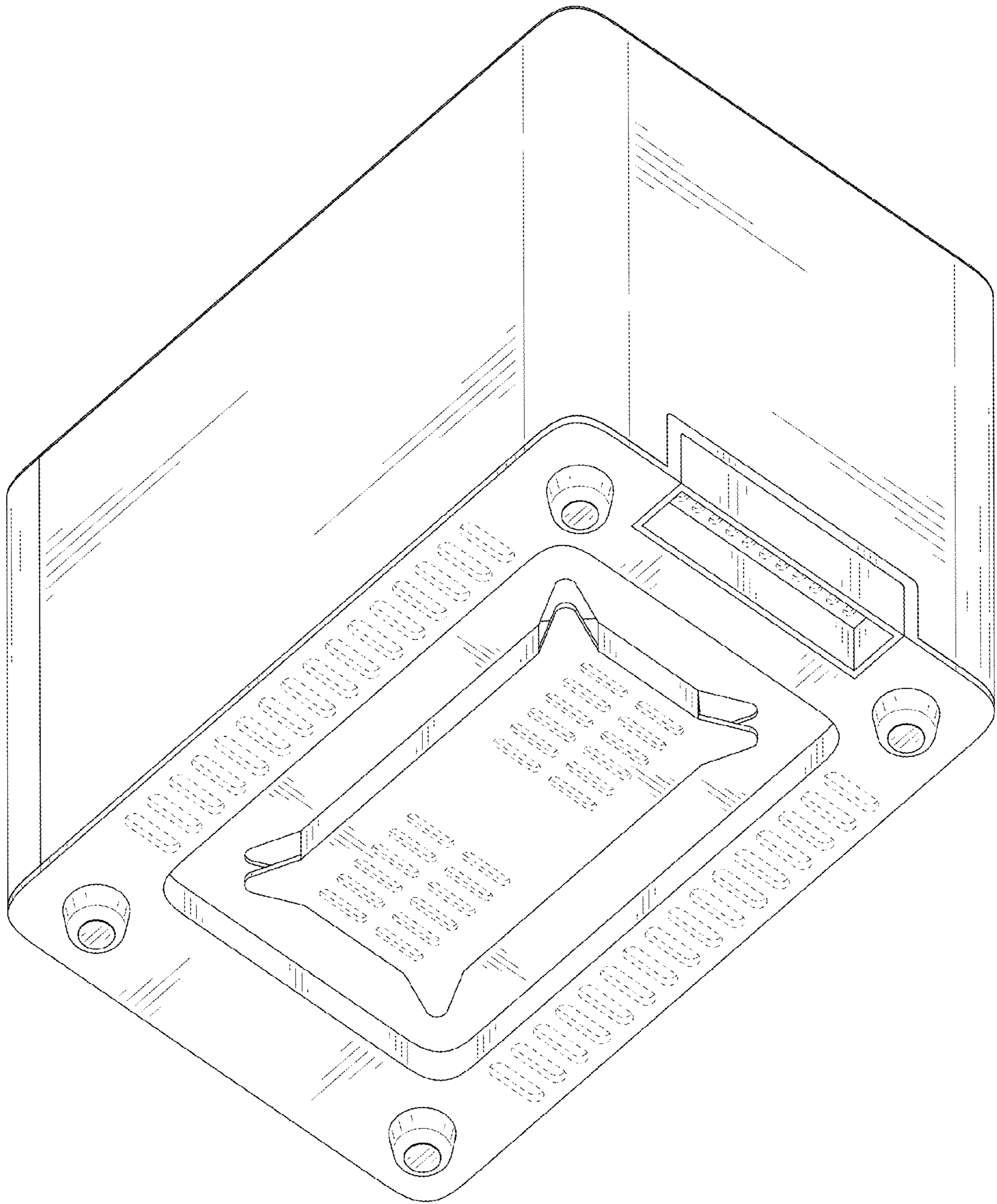


FIG. 2

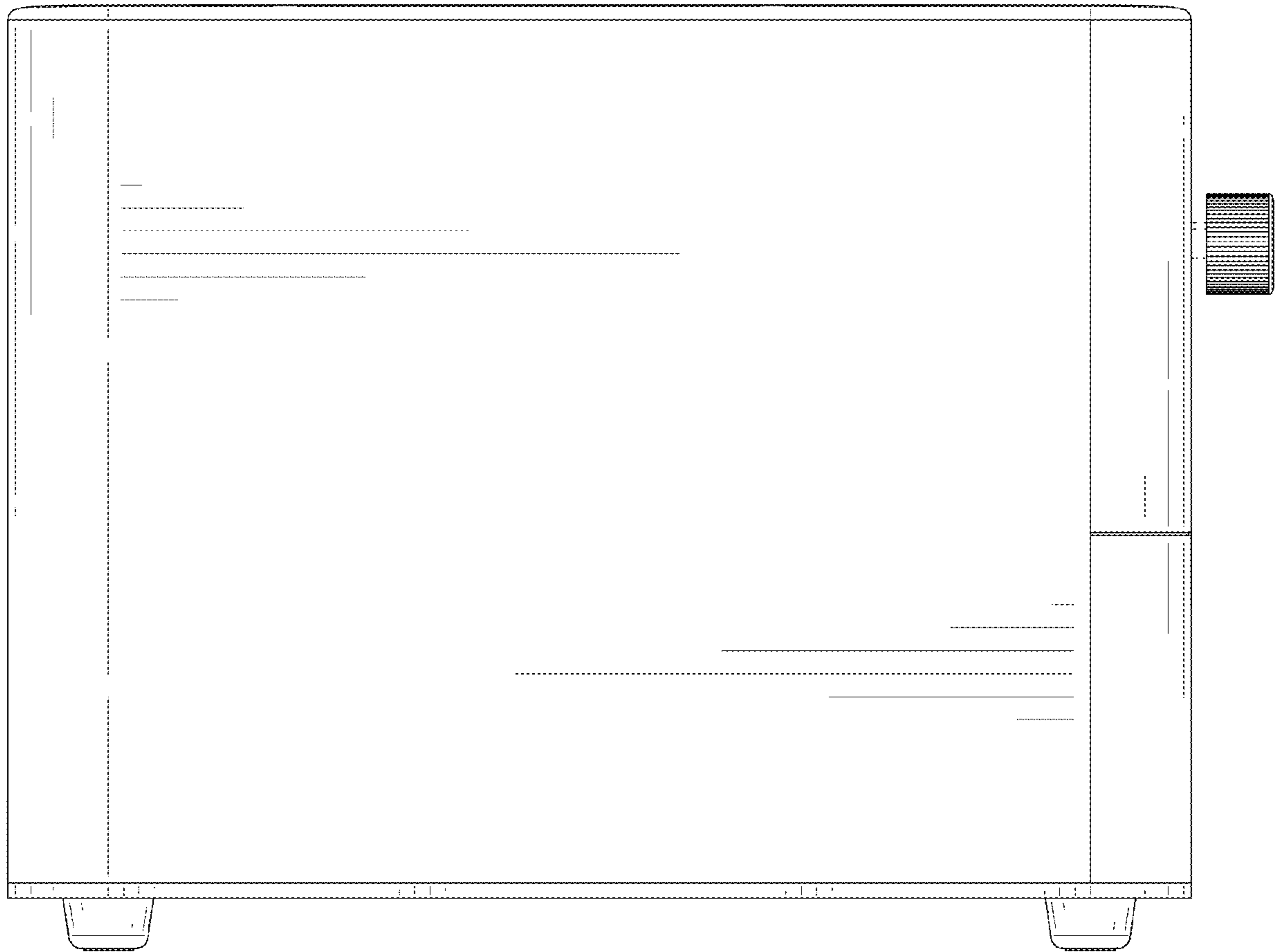


FIG. 3

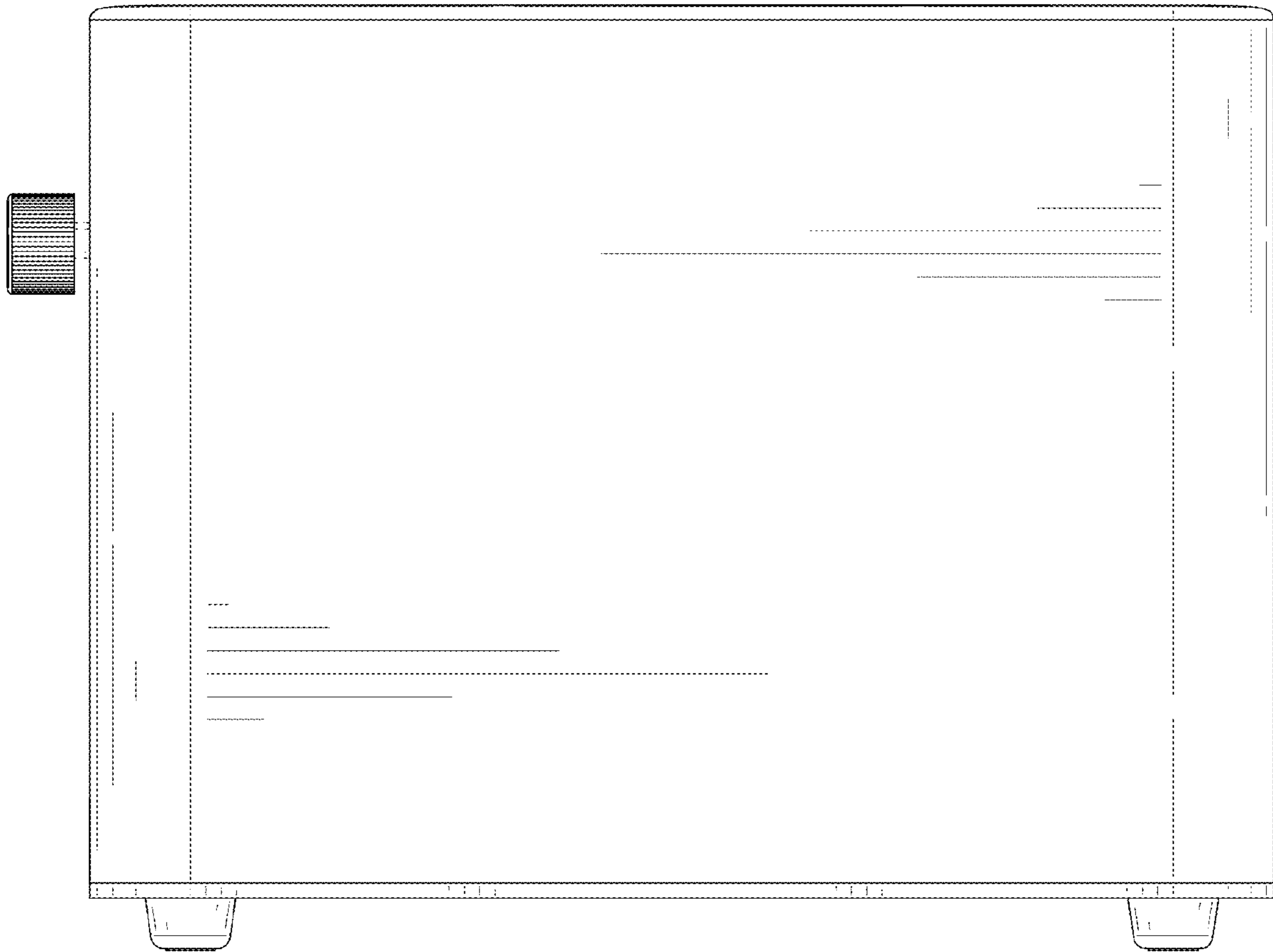


FIG. 4

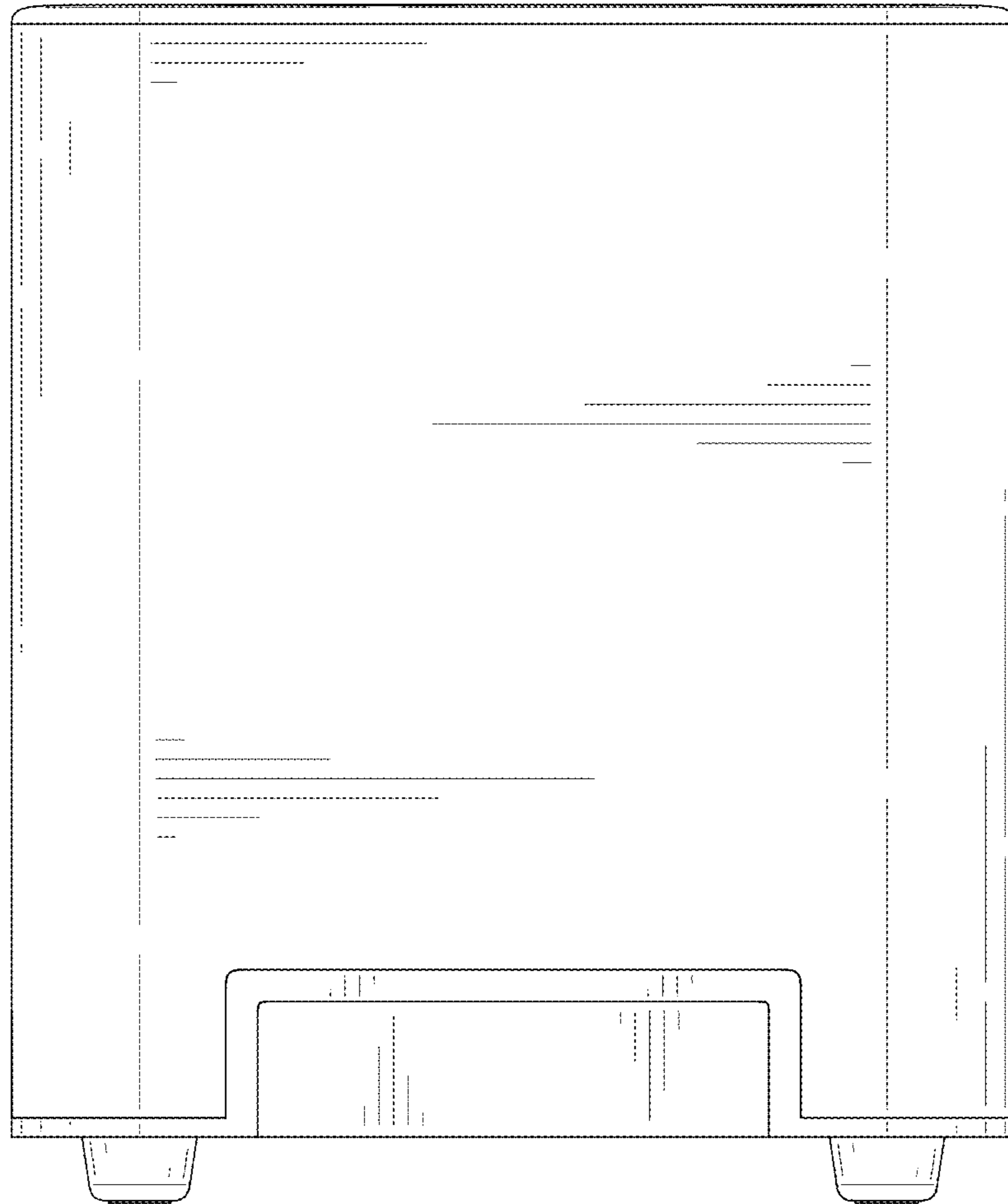


FIG. 5

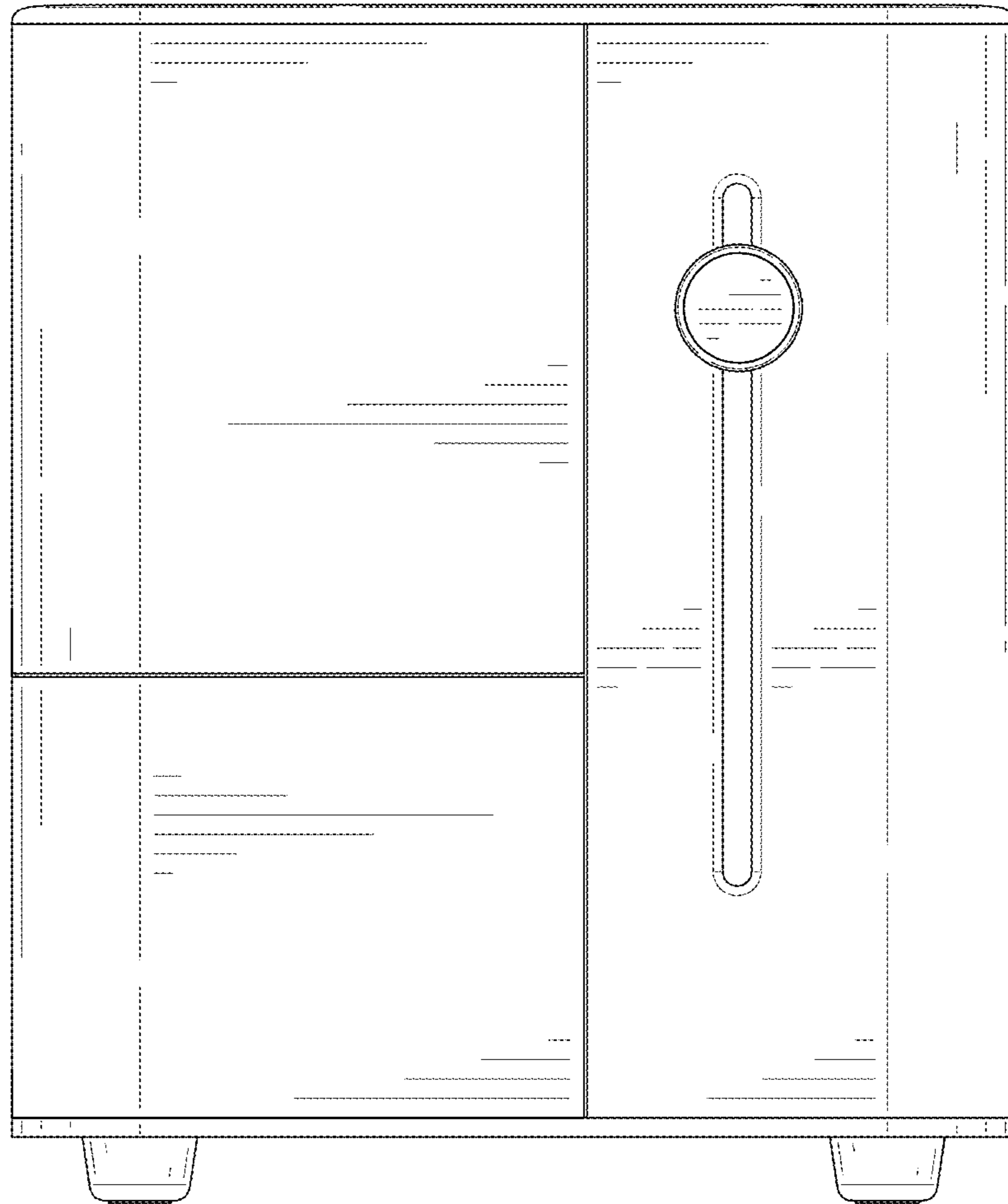


FIG. 6

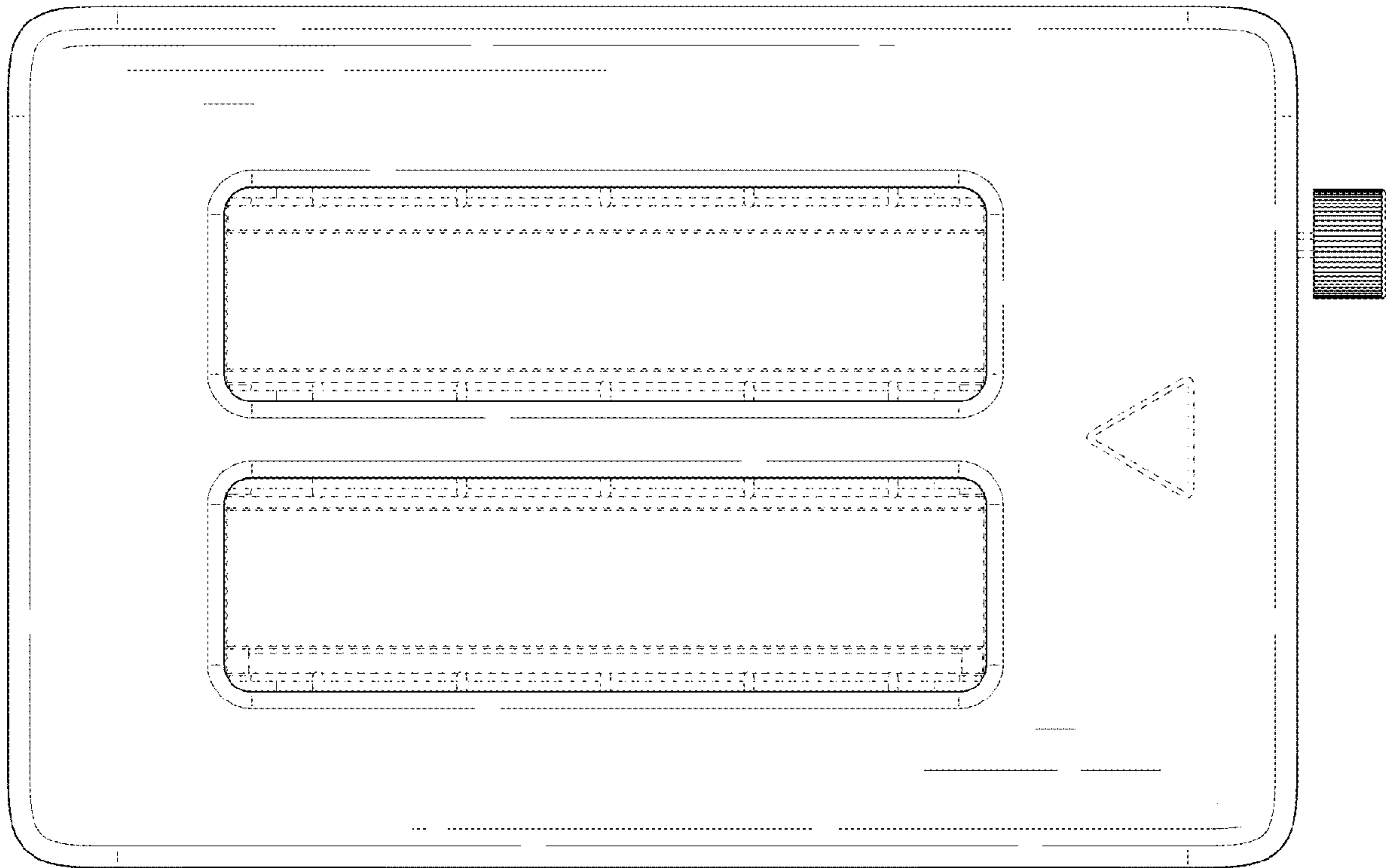


FIG. 7



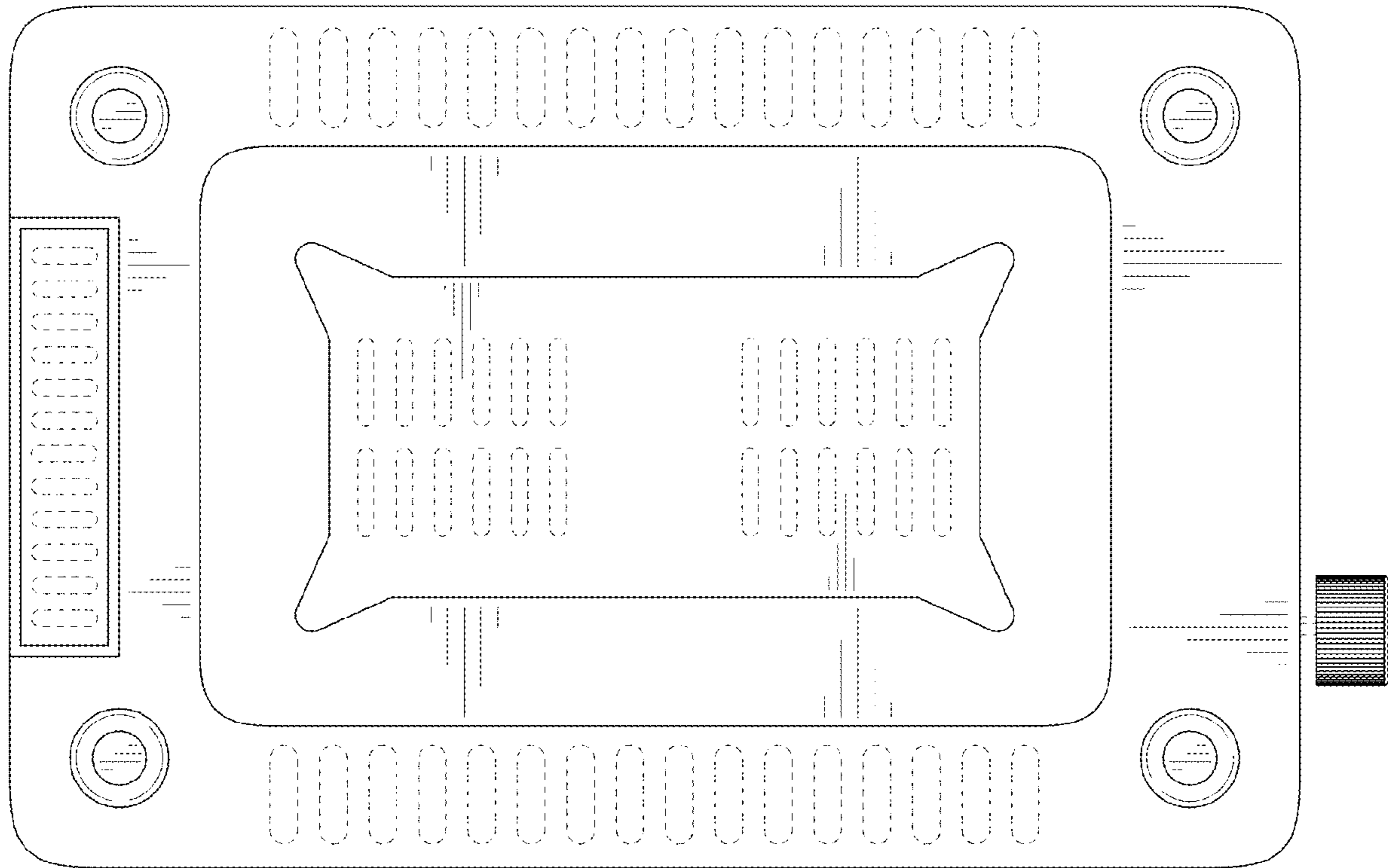


FIG. 8