



US00D929167S

(12) **United States Design Patent** (10) **Patent No.:** **US D929,167 S**  
**Vul et al.** (45) **Date of Patent:** **\*\* Aug. 31, 2021**

(54) **APPLIANCE FOR PREPARING BEVERAGES**

(71) Applicant: **STRAUSS WATER LTD**, Or Yehuda (IL)

(72) Inventors: **Elena Vul**, Tel Aviv (IL); **Joseph Hefez**, Tel Aviv (IL); **Omer Ben Baruch**, Kiryat Ono (IL)

(\*\*) Term: **15 Years**

(21) Appl. No.: **35/509,907**

(22) Filed: **Jul. 5, 2020**

(80) **Hague Agreement Data**

Int. Filing Date: **Jul. 5, 2020**  
Int. Reg. No.: **DM/209332**  
Int. Reg. Date: **Jul. 5, 2020**  
Int. Reg. Pub. Date: **Jul. 31, 2020**

(51) **LOC (13) Cl.** ..... **07-02**

(52) **U.S. Cl.**  
USPC ..... **D7/313**

(58) **Field of Classification Search**  
USPC ..... D7/300, 301, 306, 309, 311, 312, 313,  
D7/332, 337, 339, 347, 348, 362, 367,  
D7/368, 376, 377, 378, 381, 383, 399,  
D7/665  
CPC .. A47J 31/44; A47J 31/52; A47J 43/04; A47J  
43/044  
See application file for complete search history.

(56) **References Cited**

**U.S. PATENT DOCUMENTS**

D187,014 S \* 1/1960 Morgan ..... D7/300  
D389,002 S \* 1/1998 Demore ..... D7/300  
D419,821 S \* 2/2000 Powell ..... D7/309  
D446,990 S \* 8/2001 Prat ..... D7/309  
D458,794 S \* 6/2002 DeMore ..... D7/309  
D513,917 S \* 1/2006 Edrington ..... D7/309  
D555,968 S \* 11/2007 Pfeifer ..... D7/306  
D569,162 S \* 5/2008 Gu ..... D7/306

D577,252 S \* 9/2008 Kotoku ..... D7/309  
D625,542 S \* 10/2010 Picozza ..... D7/309  
D648,972 S \* 11/2011 Buttler ..... D7/309  
D723,315 S \* 3/2015 Wilder ..... D7/306  
D735,518 S \* 8/2015 De'Longhi ..... A23F 5/262  
D7/309  
D735,527 S \* 8/2015 Palermo ..... D7/399  
D744,774 S \* 12/2015 Bock ..... A23F 5/262  
D7/306

(Continued)

*Primary Examiner* — Karen S Acker

(57) **CLAIM**

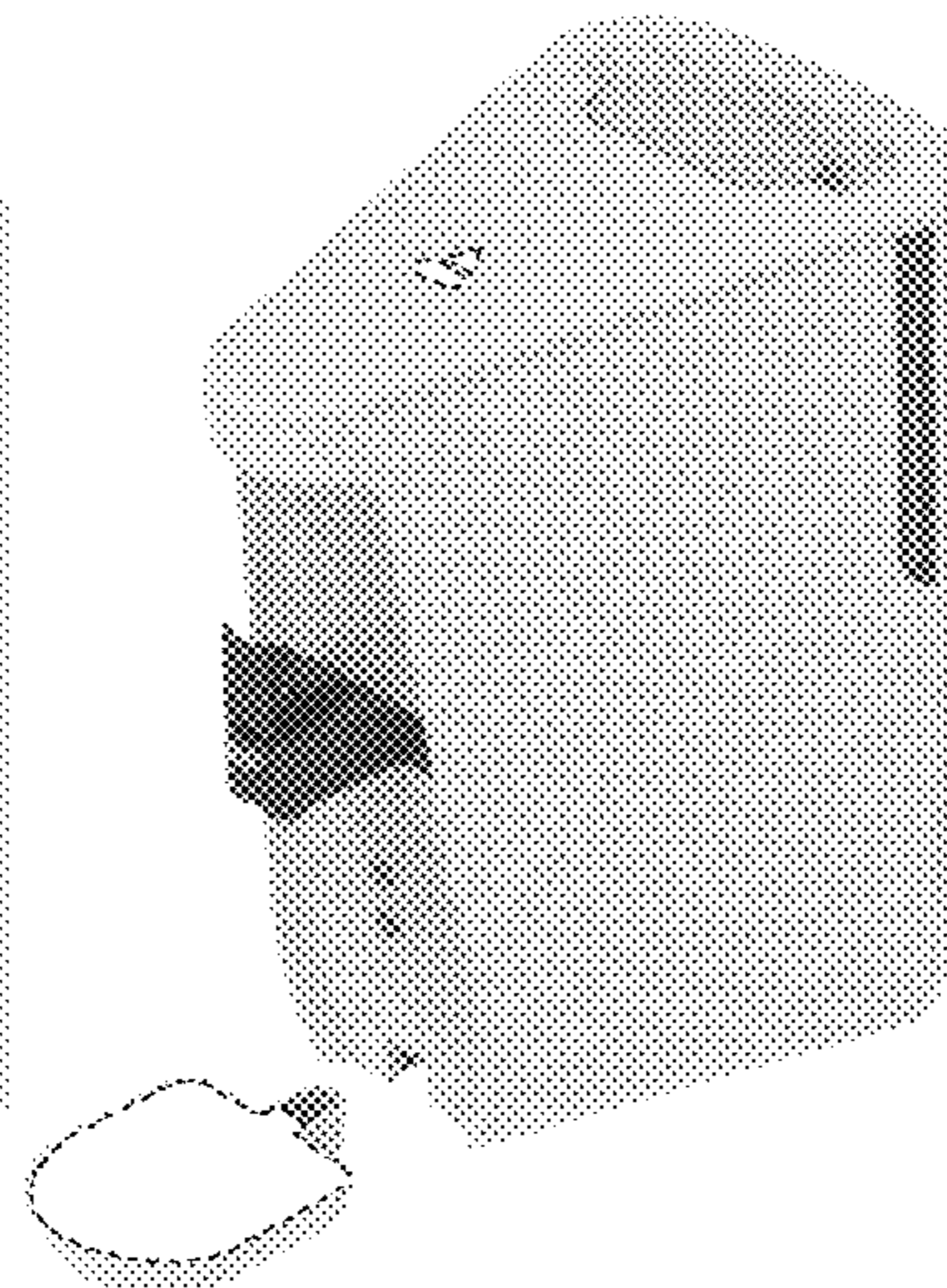
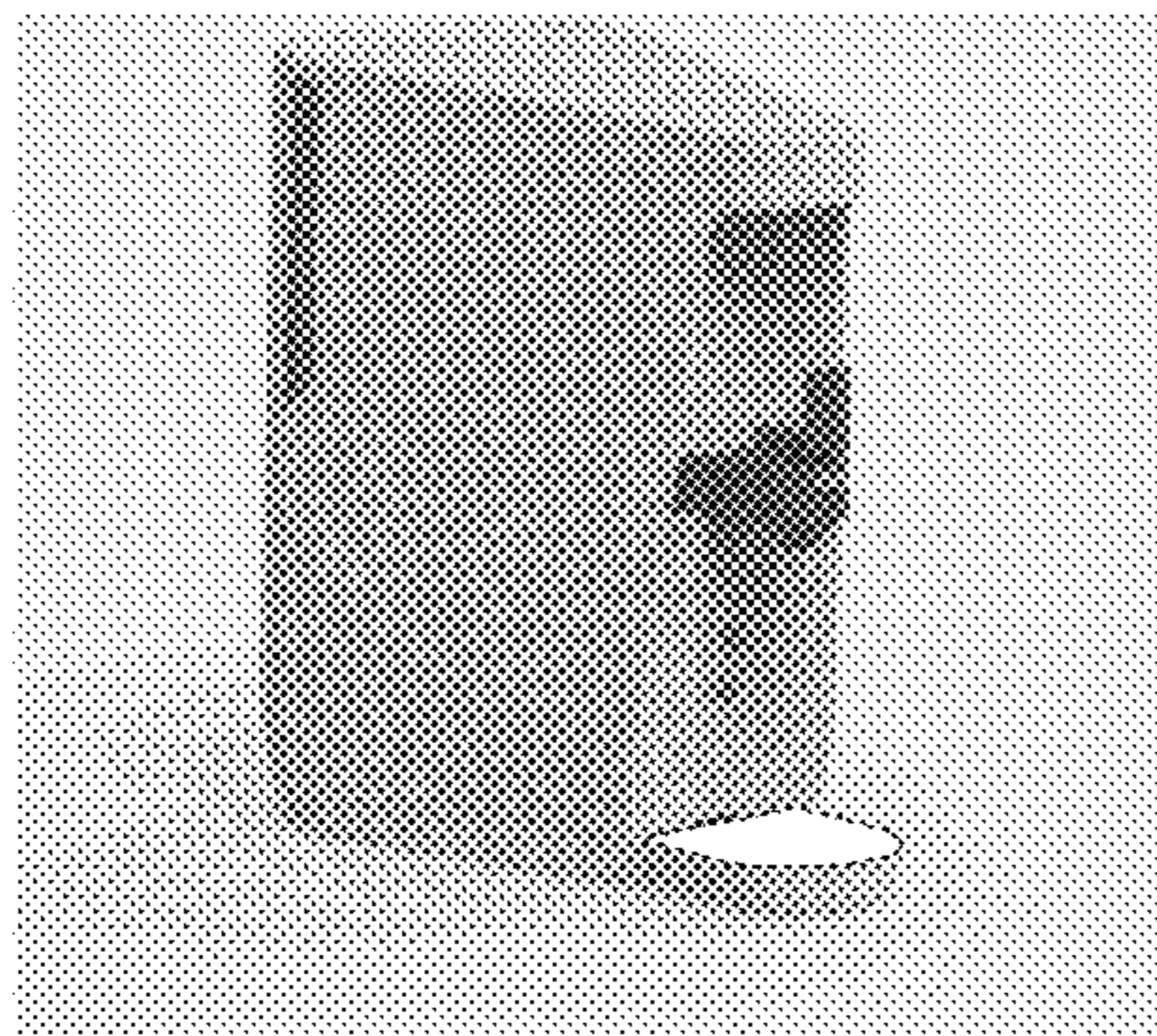
The ornamental design for an appliance for preparing beverages, as shown and described.

**DESCRIPTION**

- 1.-2. Appliance for preparing beverages
- 1.1 : Perspective (top, front, right) view of a first embodiment
- 1.2 : Front
- 1.3 : Back
- 1.4 : Left
- 1.5 : Top
- 1.6 : Bottom
- 1.7 : Perspective view (tray separated)
- 1.8 : Perspective view (top, front, left)
- 2.1 : Perspective (top, front, left) view of a second embodiment
- 2.2 : Front
- 2.3 : Back
- 2.4 : Left
- 2.5 : Top
- 2.6 : Perspective (Rear, right, bottom)
- 2.7 : Perspective view (tray disconnected)
- 2.8 : Bottom

A right side elevation view of each embodiment is not included because it is a mirror image of the left side elevation view of each embodiment; the parts shown in the color white and delineated by means of broken lines in the reproductions are not part of the claimed design.

**1 Claim, 16 Drawing Sheets**



(56)

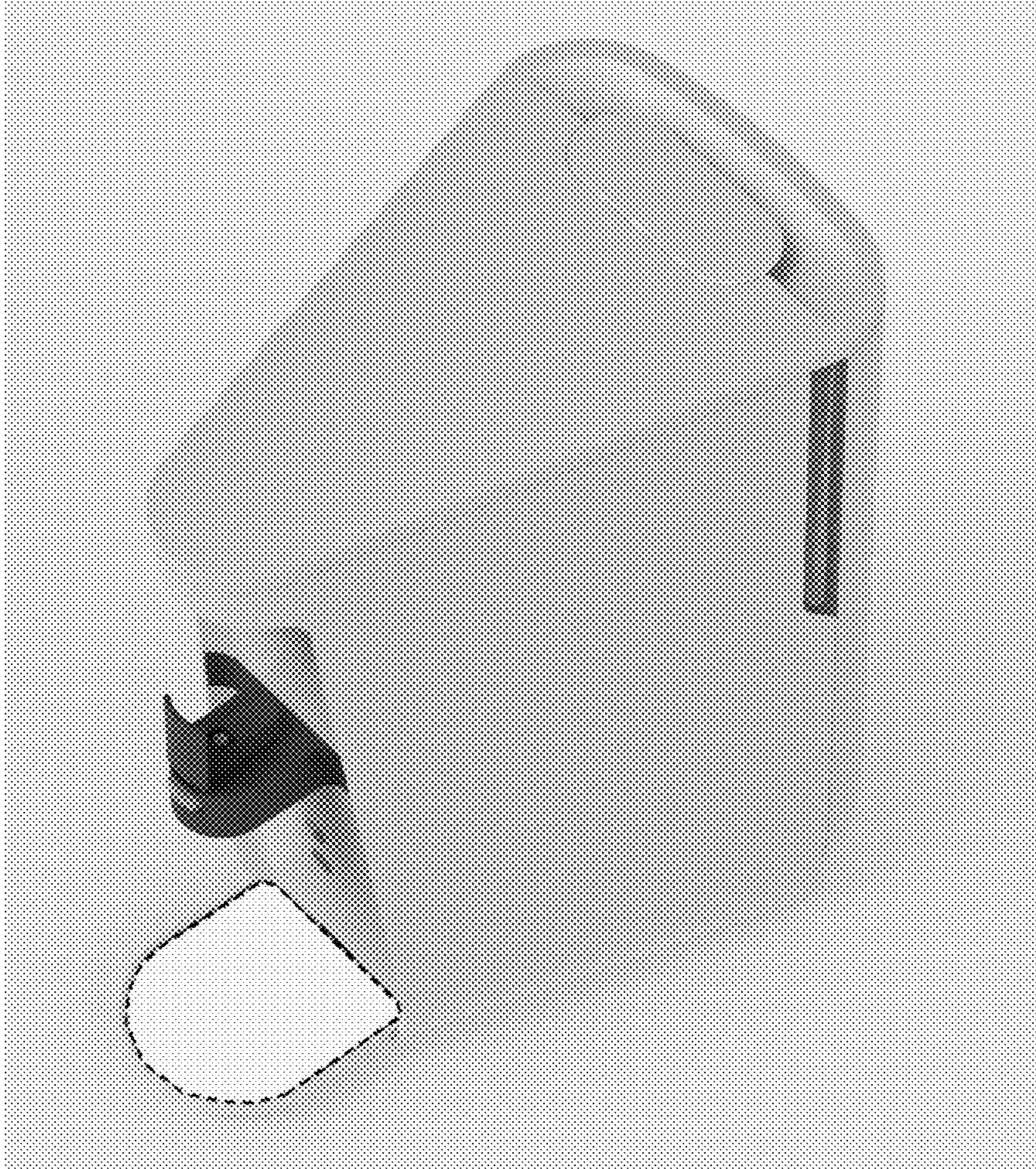
**References Cited**

U.S. PATENT DOCUMENTS

D757,477 S \* 5/2016 Wang ..... D7/306  
D771,992 S \* 11/2016 Yang ..... D7/306  
D866,236 S \* 11/2019 Zisman ..... A47J 31/3628  
D7/306  
10,986,955 B2 \* 4/2021 De'Longhi ..... A47J 31/469  
2015/0327719 A1 \* 11/2015 Burrows ..... A47J 31/3628  
99/283

\* cited by examiner

1.1



1.2



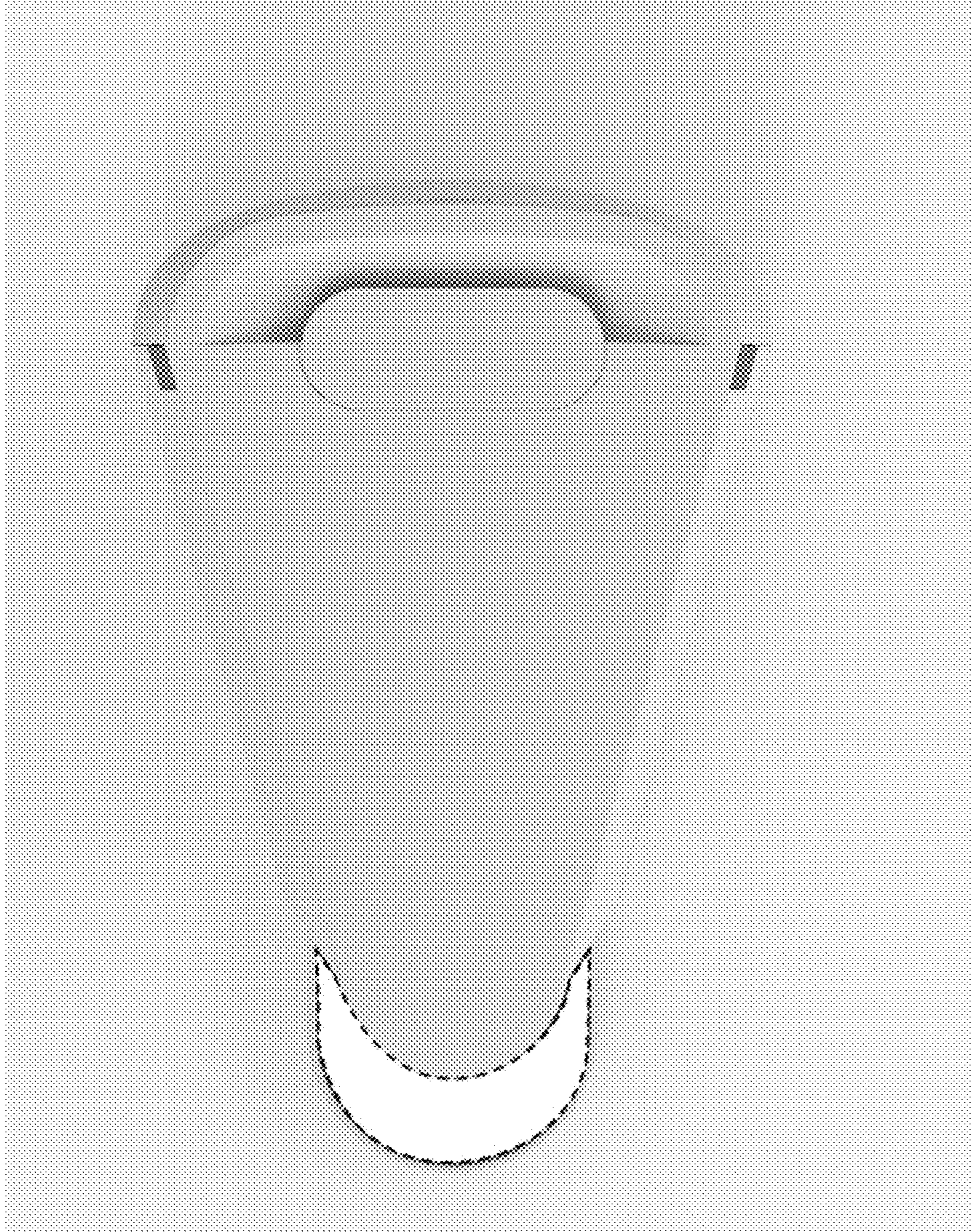
1.3



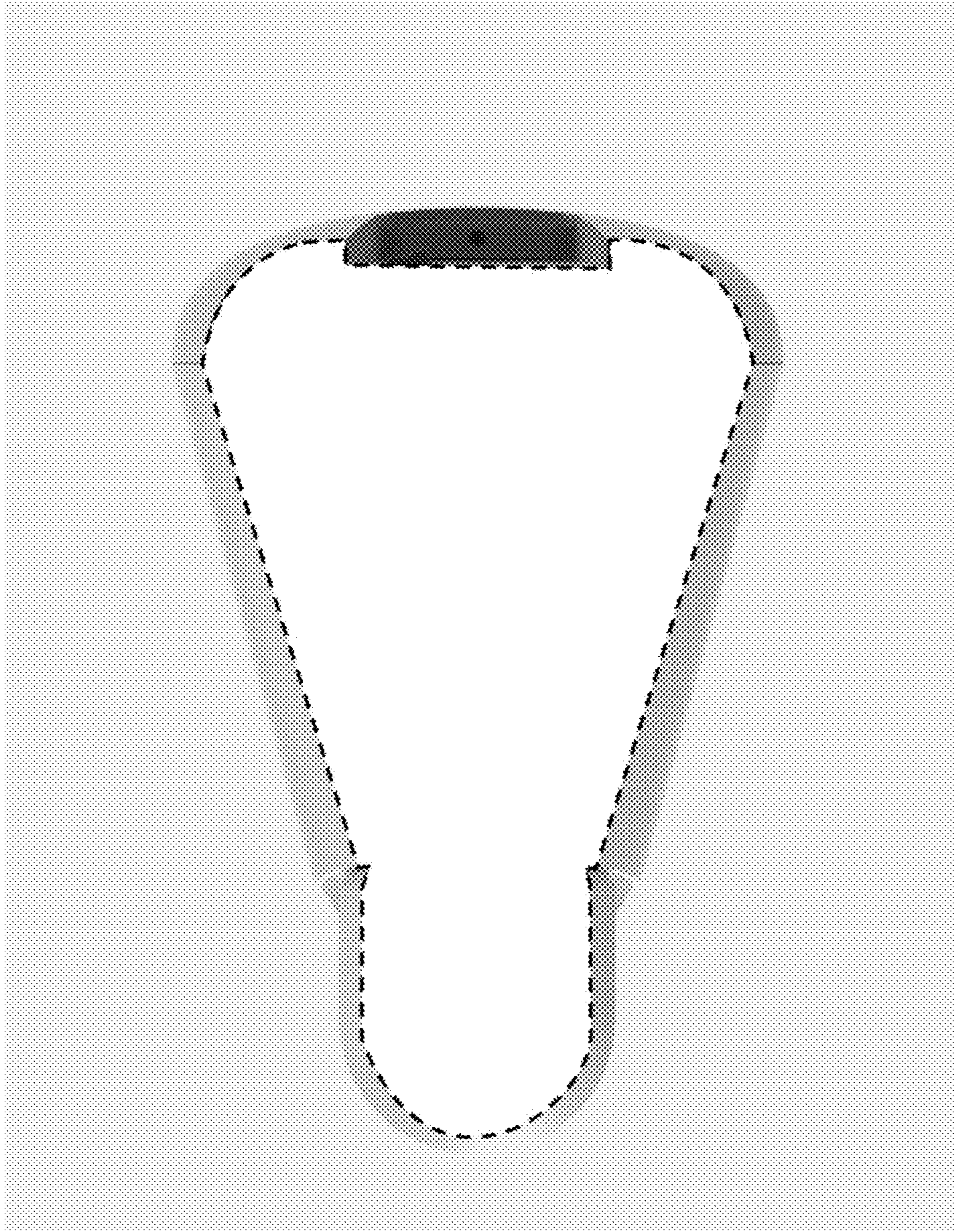
1.4



1.5

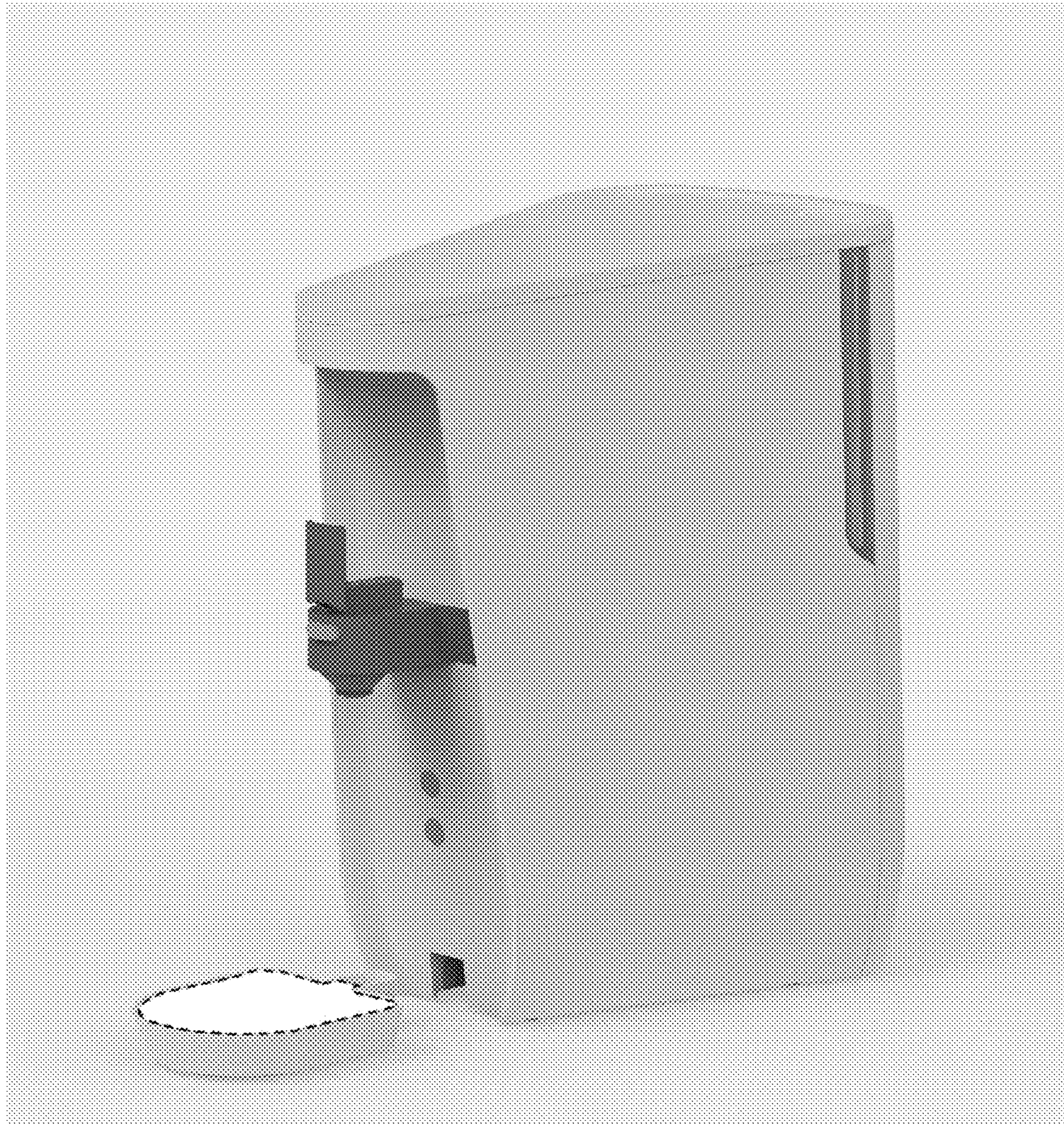


1.6

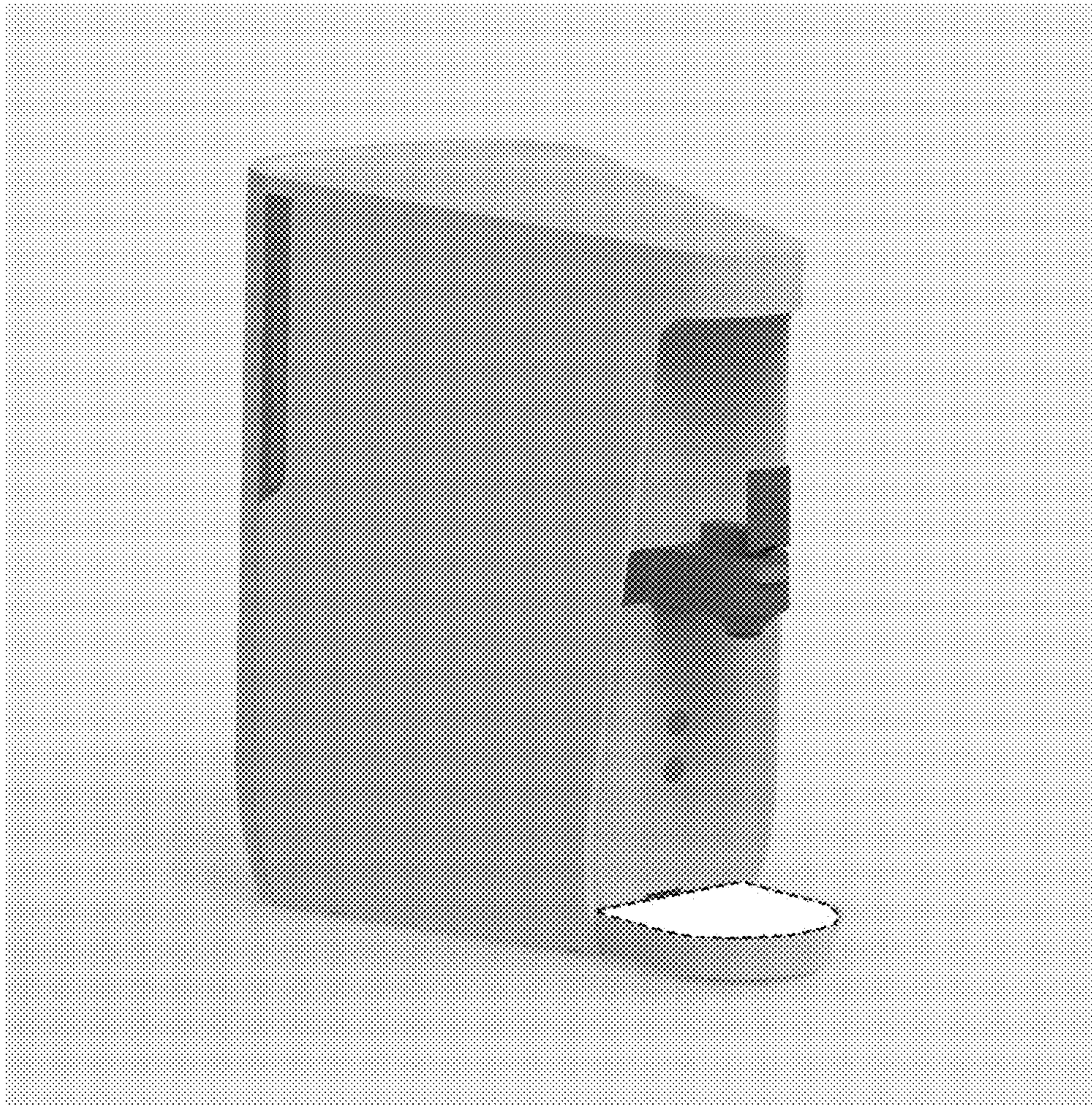




1.7



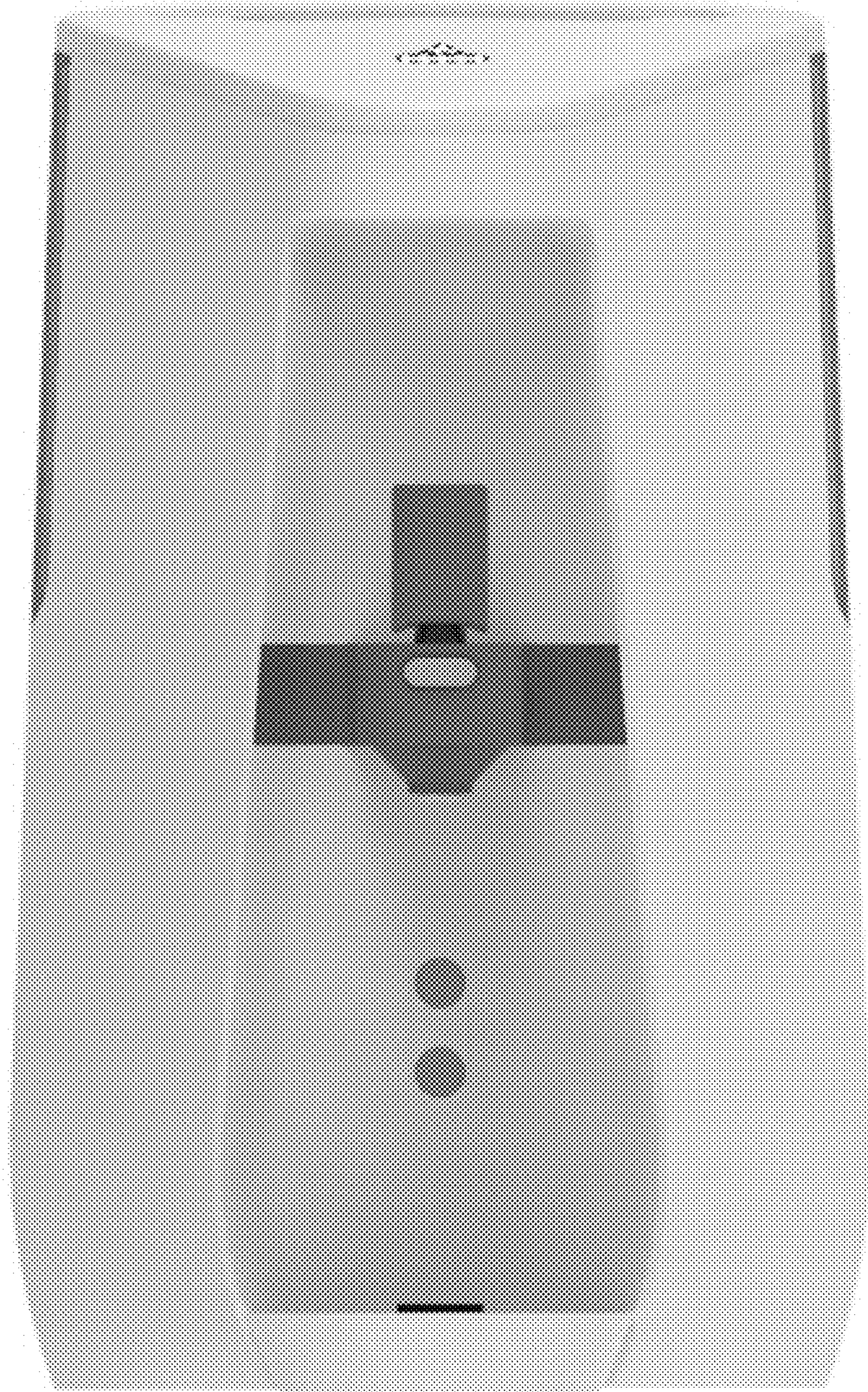
1.8



2.1



2.2



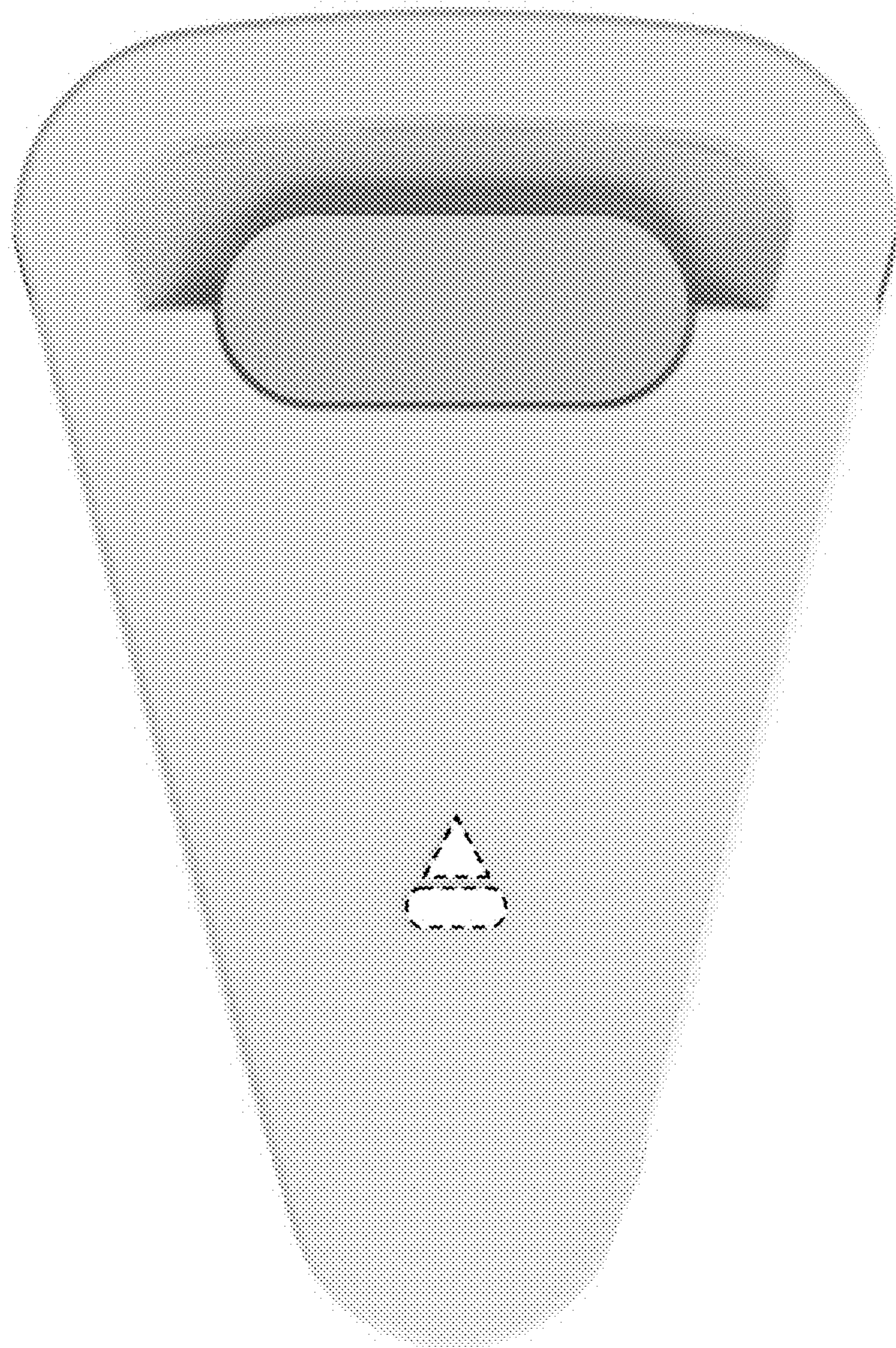
2.3



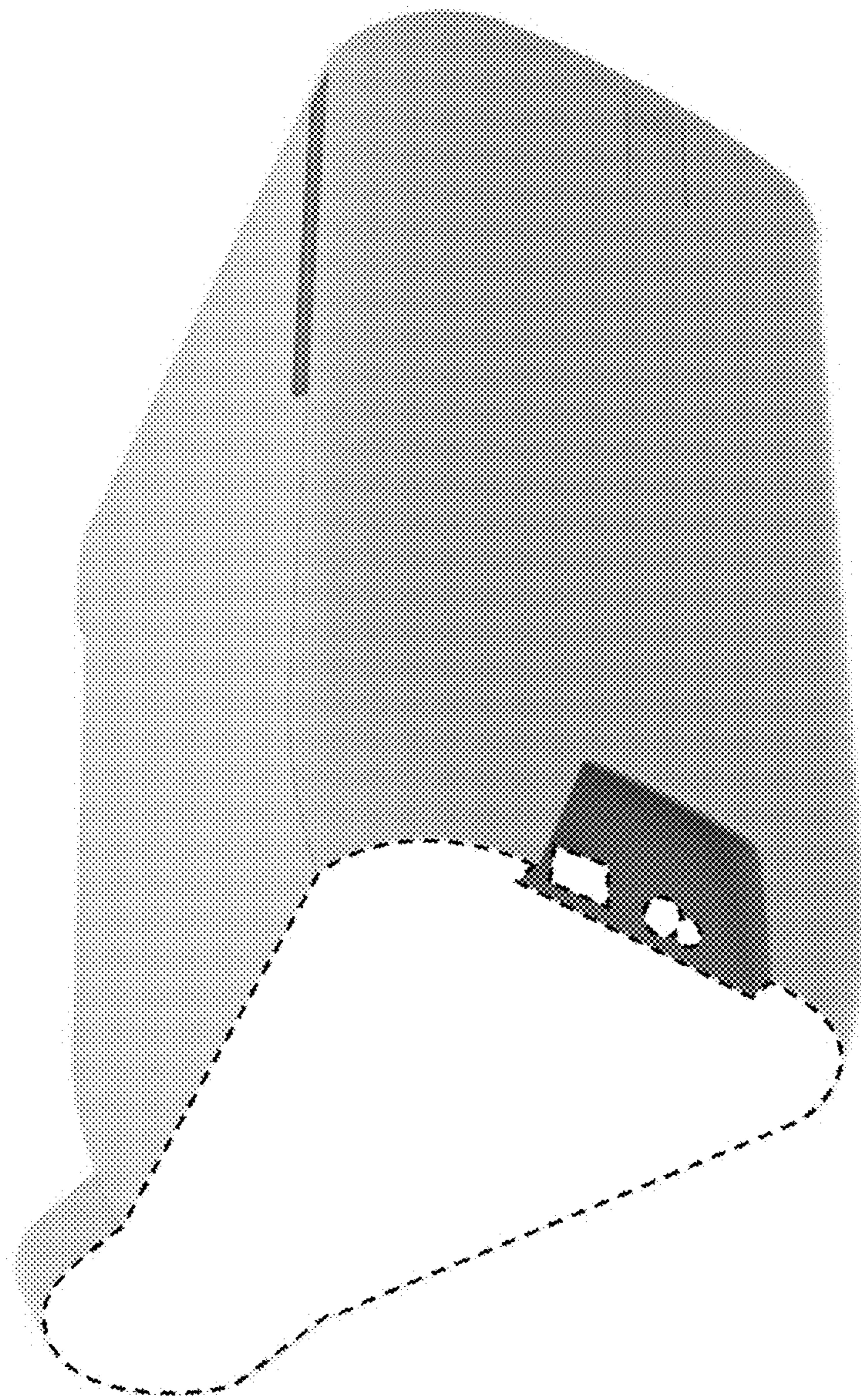
2.4



2.5

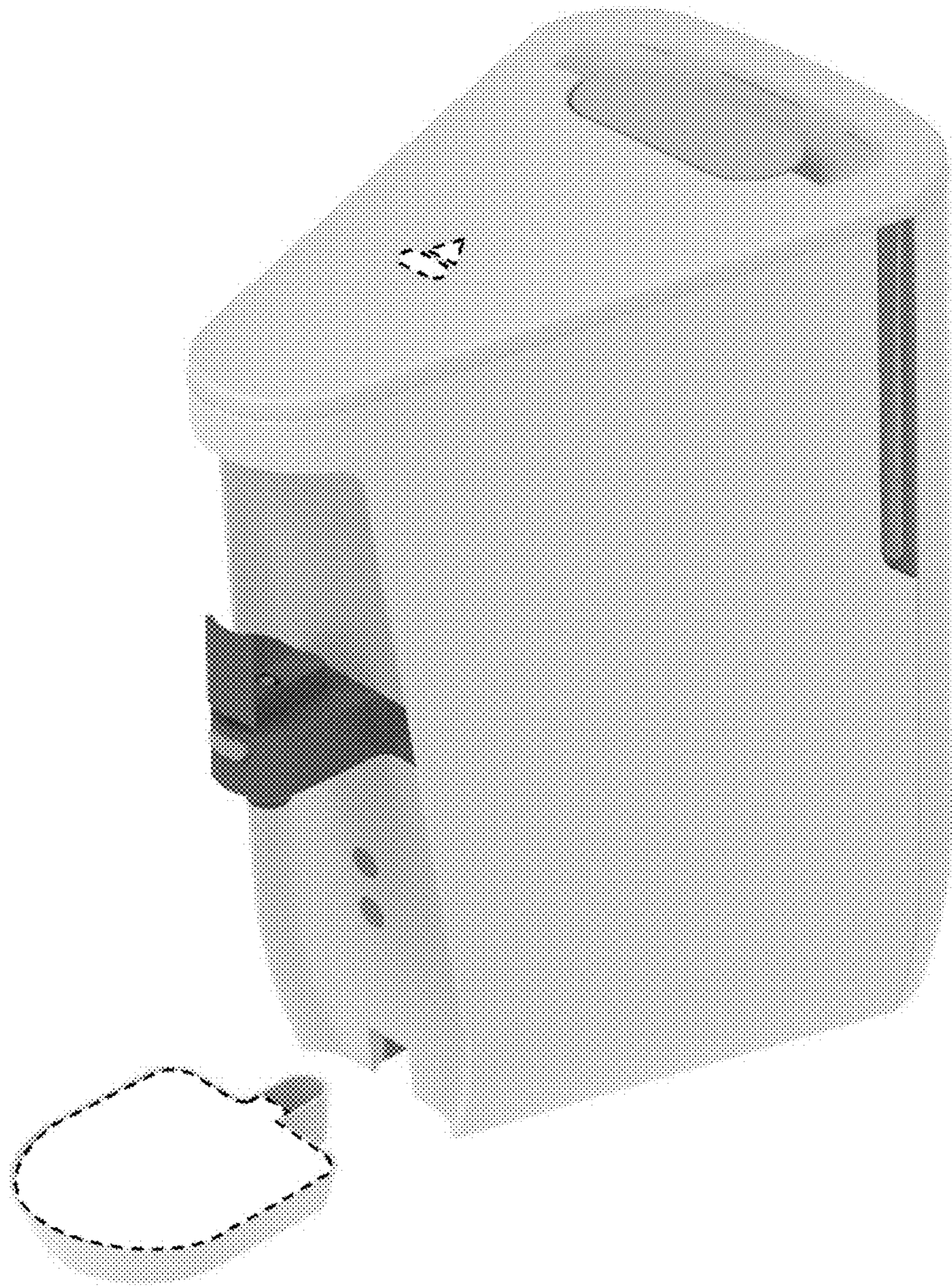


2.6





2.7



2.8

