



US00D929165S

(12) **United States Design Patent**
Guo

(10) **Patent No.:** **US D929,165 S**

(45) **Date of Patent:** **** Aug. 31, 2021**

(54) **SEAT BACK**

(71) Applicant: **ZHONGSHAN MEISIHE FURNITURE CO., LTD.**, Zhongshan (CN)

(72) Inventor: **Liyi Guo**, Guangzhou (CN)

(73) Assignee: **Zhongshan Meisihe Furniture Co., Ltd.**

(**) Term: **15 Years**

(21) Appl. No.: **29/735,132**

(22) Filed: **May 19, 2020**

(30) **Foreign Application Priority Data**

May 13, 2020 (CN) 202030216710.4

(51) **LOC (13) Cl.** **06-06**

(52) **U.S. Cl.**
USPC **D6/716.4**

(58) **Field of Classification Search**

USPC D6/334, 346, 349, 355, 360, 361, 362, D6/363, 364, 365, 366, 367, 368, 371, D6/372, 374, 375, 379, 380, 716.4
CPC A47C 3/00; A47C 3/12; A47C 3/20; A47C 3/32; A47C 1/00; A47C 1/022; A47C 1/024; A47C 1/04; A47C 1/06; A47C 7/24; A47C 7/36; A47C 7/46; A47C 7/18; A47C 7/40; A47C 17/02

See application file for complete search history.

(56) **References Cited**

U.S. PATENT DOCUMENTS

D648,966 S * 11/2011 Ong D6/716.4
D704,946 S * 5/2014 Wu D6/366

D780,499 S * 3/2017 Tsai D6/716.4
9,713,384 B1 * 7/2017 Chen A47C 7/40
D839,035 S * 1/2019 Tsai D6/716.4
D841,997 S * 3/2019 Chen D6/366
10,827,841 B1 * 11/2020 Tsai A47C 7/402
D907,947 S * 1/2021 Wang D6/716
D912,421 S * 3/2021 Chen D6/366
2005/0189810 A1 * 9/2005 Wu A47C 7/38
297/452.29
2011/0215623 A1 * 9/2011 Tsai A47C 7/405
297/301.1
2017/0027328 A1 * 2/2017 Su A47C 7/402
2020/0345142 A1 * 11/2020 Battey A47C 7/54

* cited by examiner

Primary Examiner — R. Johnson

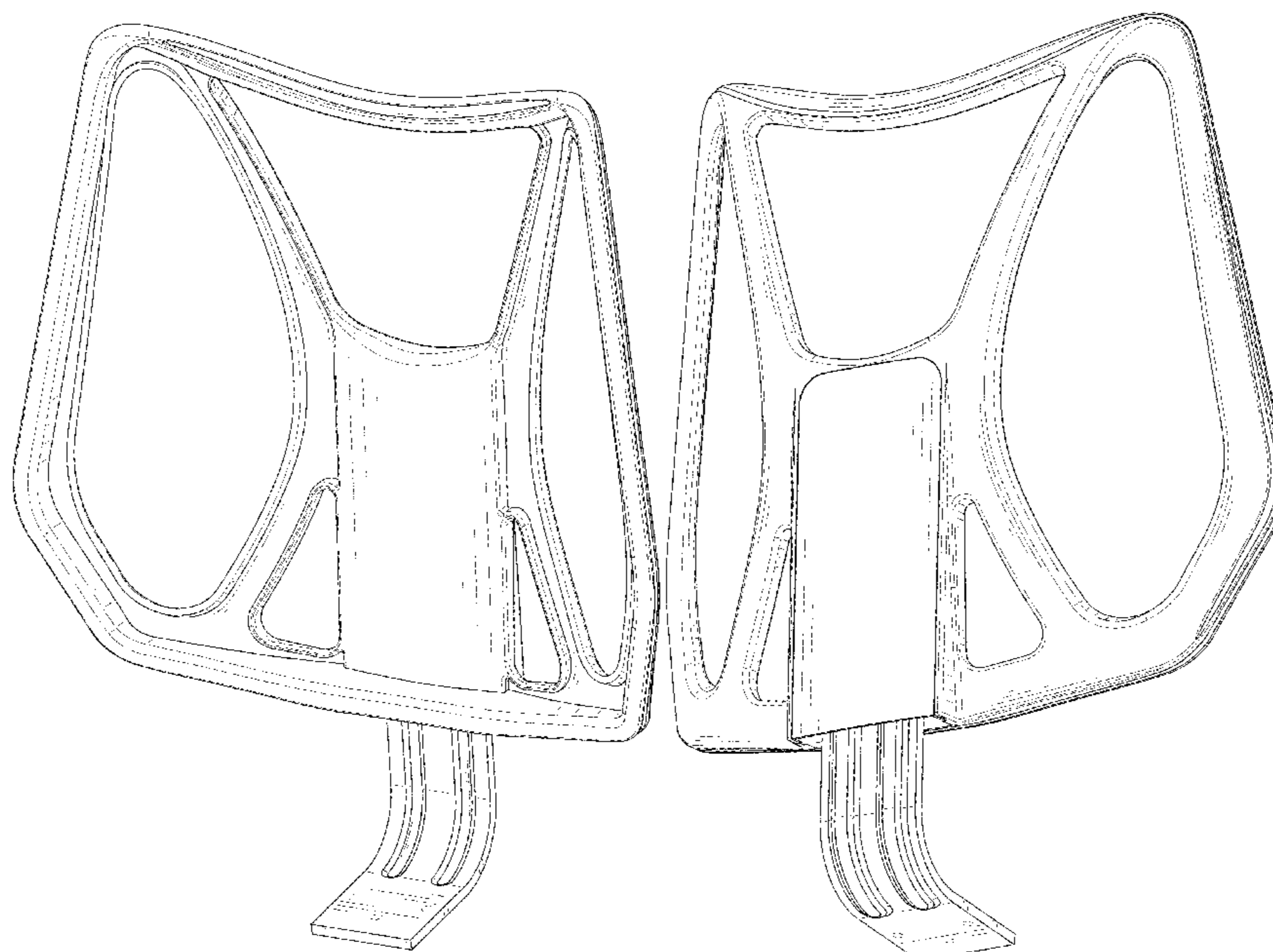
(57) **CLAIM**

The ornamental design for a seat back, as shown and described.

DESCRIPTION

FIG. 1 is a perspective view of a seat back showing my new design;
FIG. 2 is another perspective view thereof;
FIG. 3 is a front elevational view thereof;
FIG. 4 is a rear elevational view thereof;
FIG. 5 is a left side elevational view thereof;
FIG. 6 is a right side elevational view thereof;
FIG. 7 is a top plan view thereof; and,
FIG. 8 is a bottom plan view thereof.
The broken lines in the drawings depict portions of the seat back that form no part of the claimed design.

1 Claim, 8 Drawing Sheets



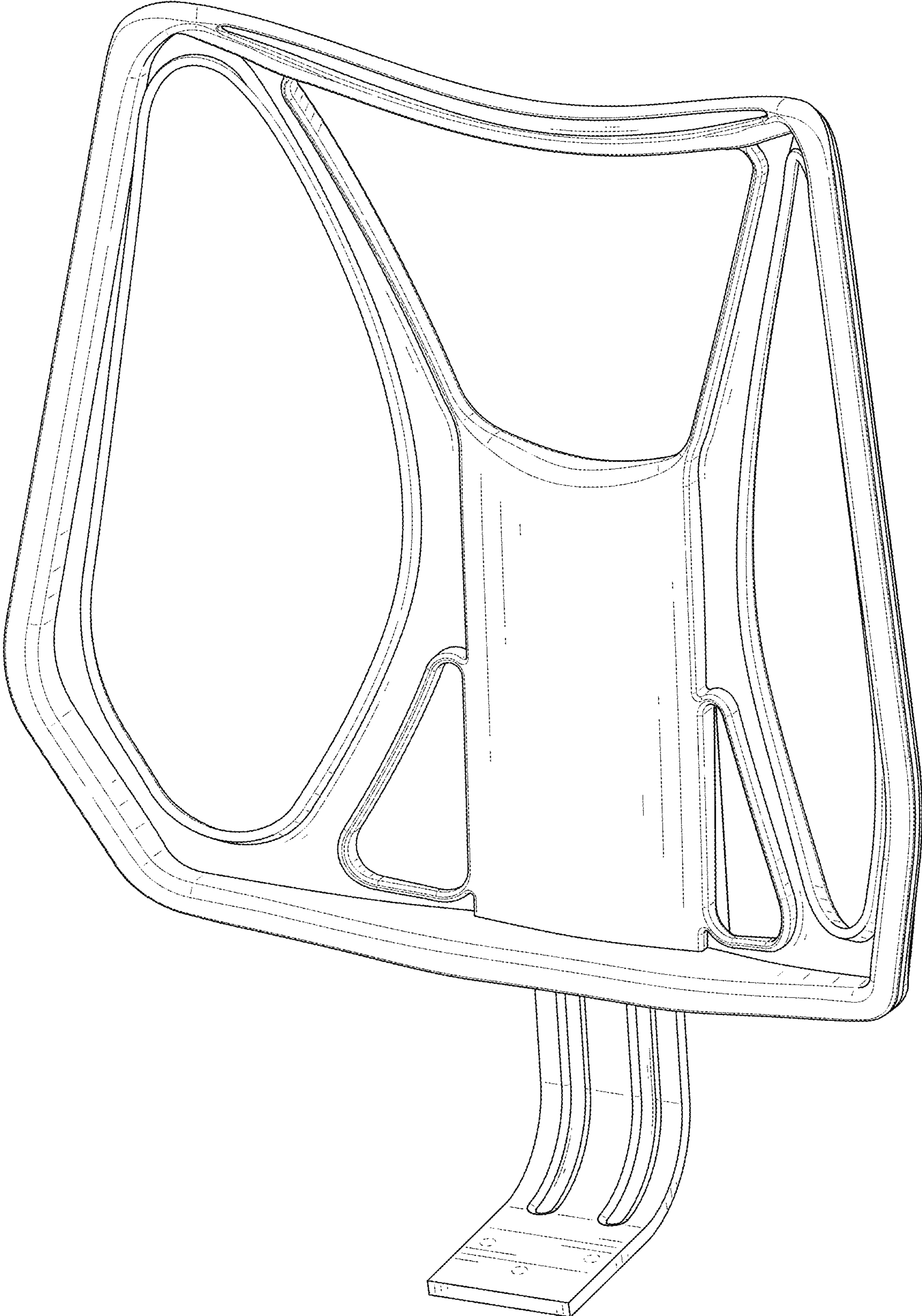


FIG. 1

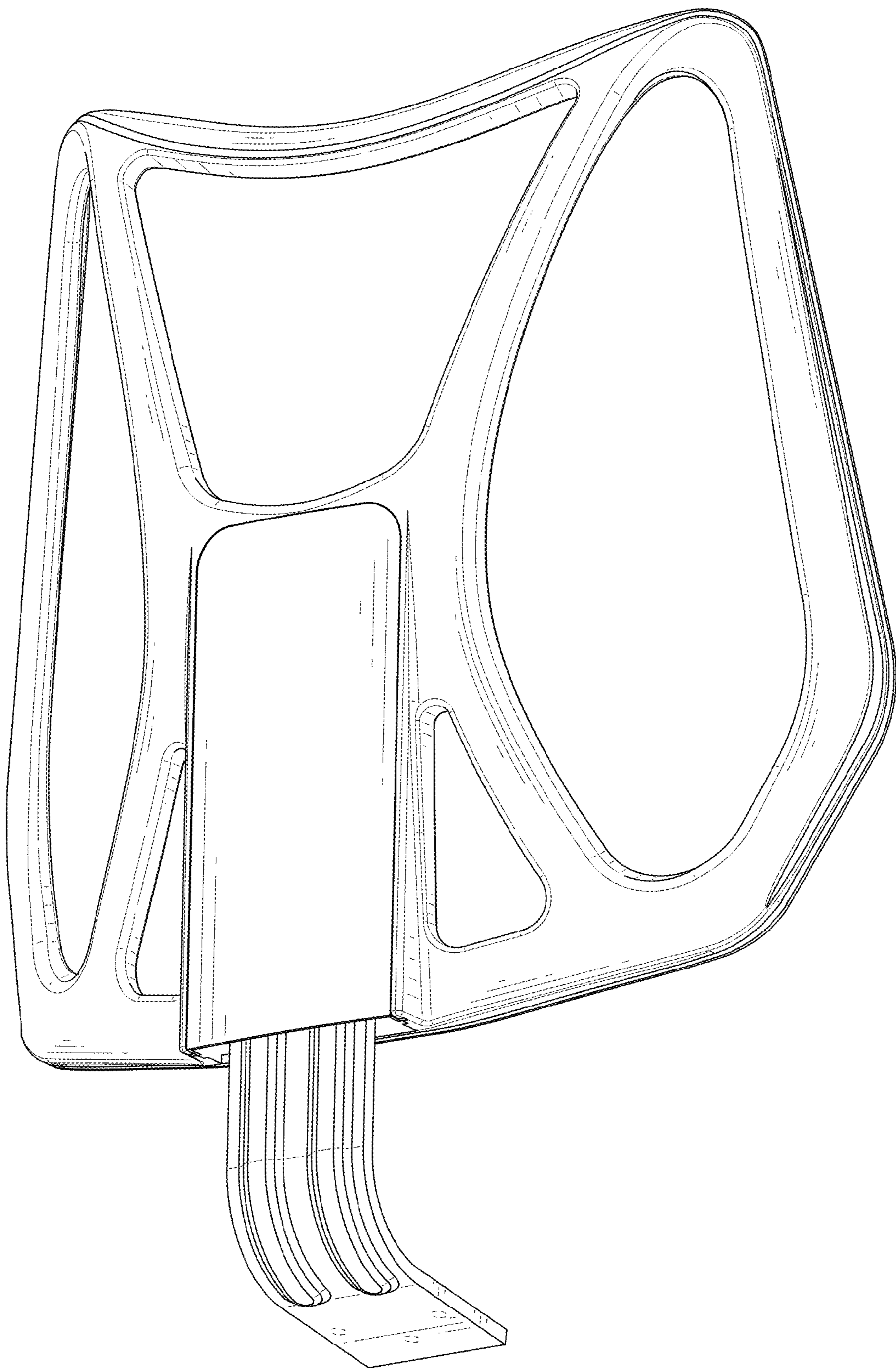


FIG. 2

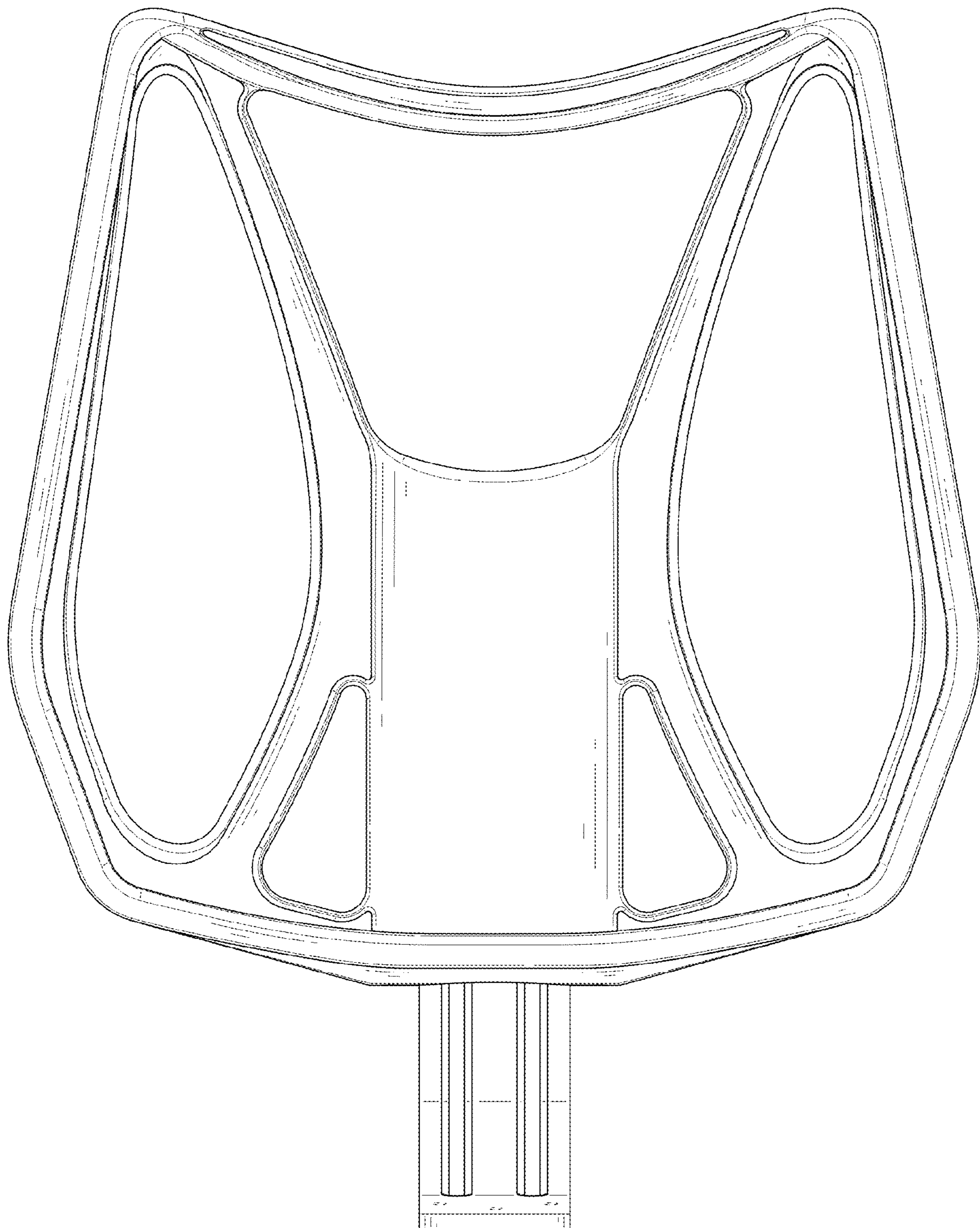


FIG. 3

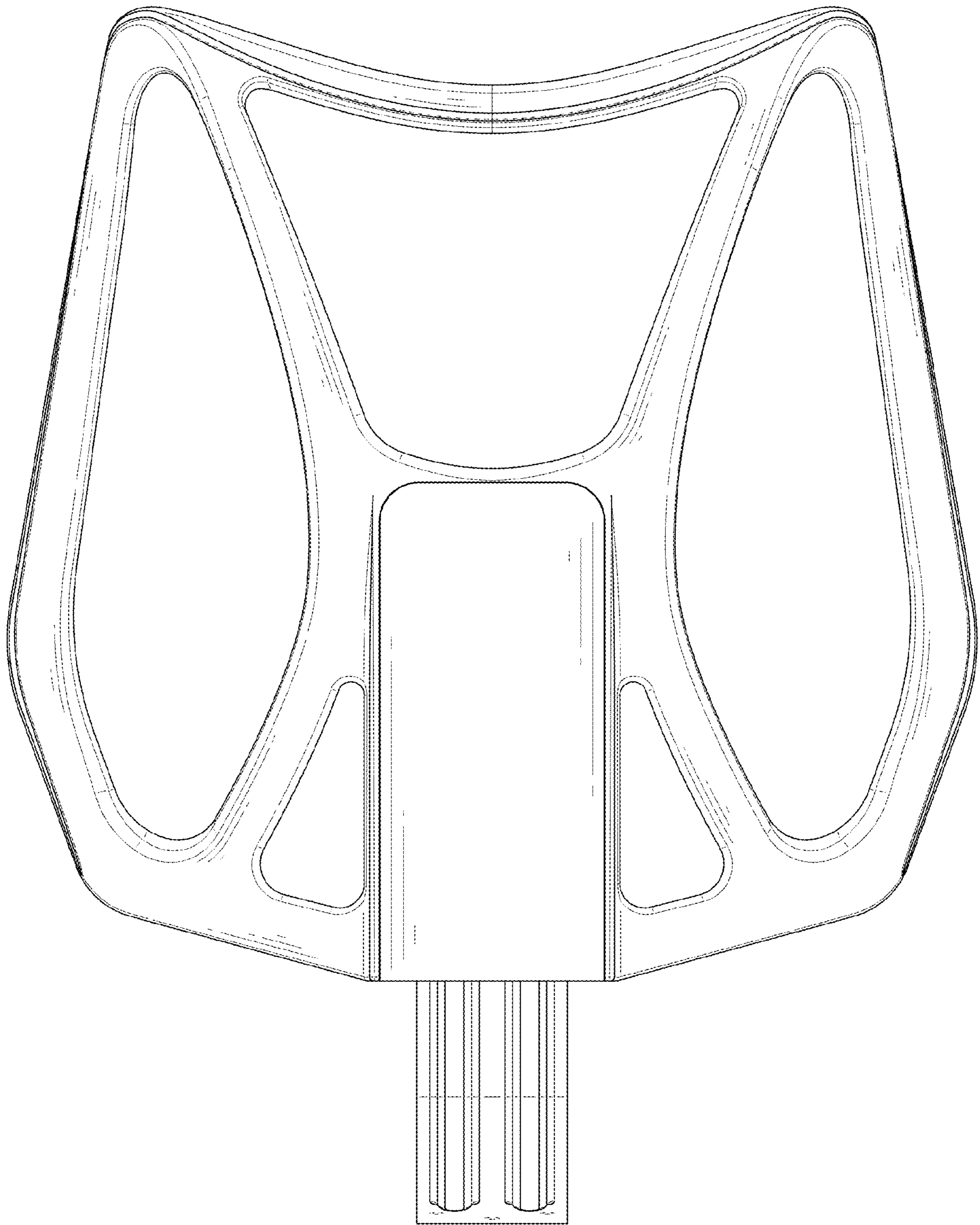


FIG. 4

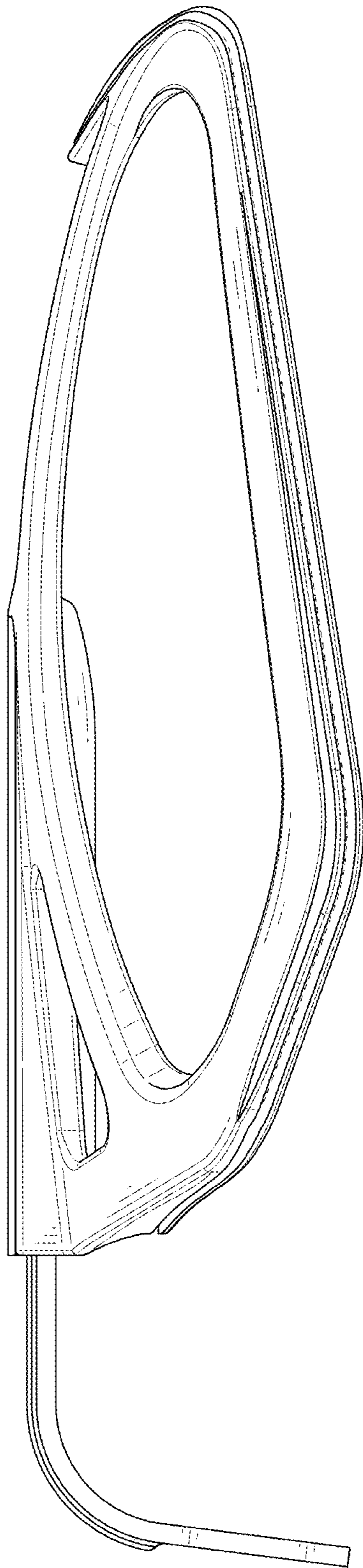


FIG. 5

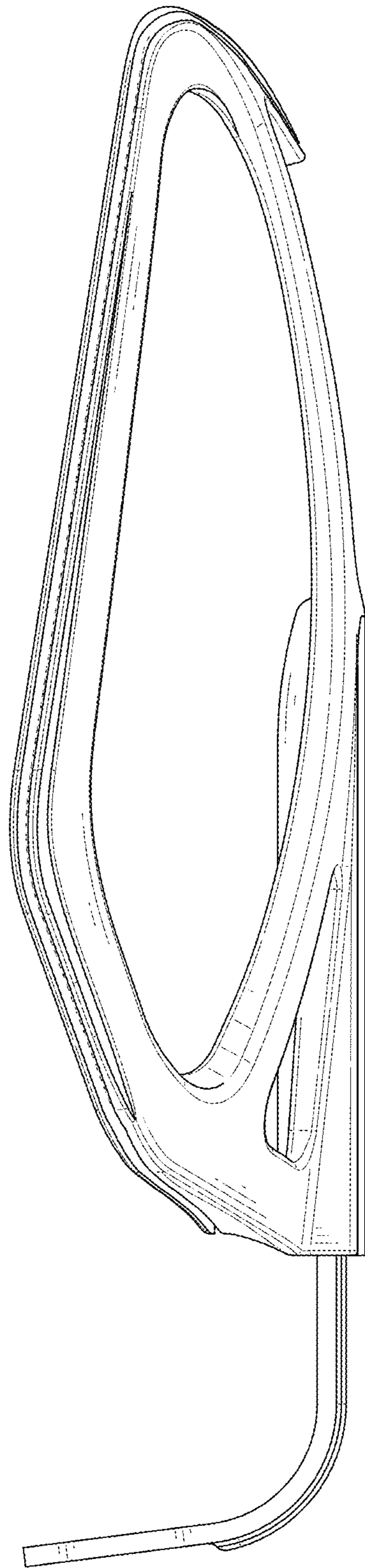


FIG. 6

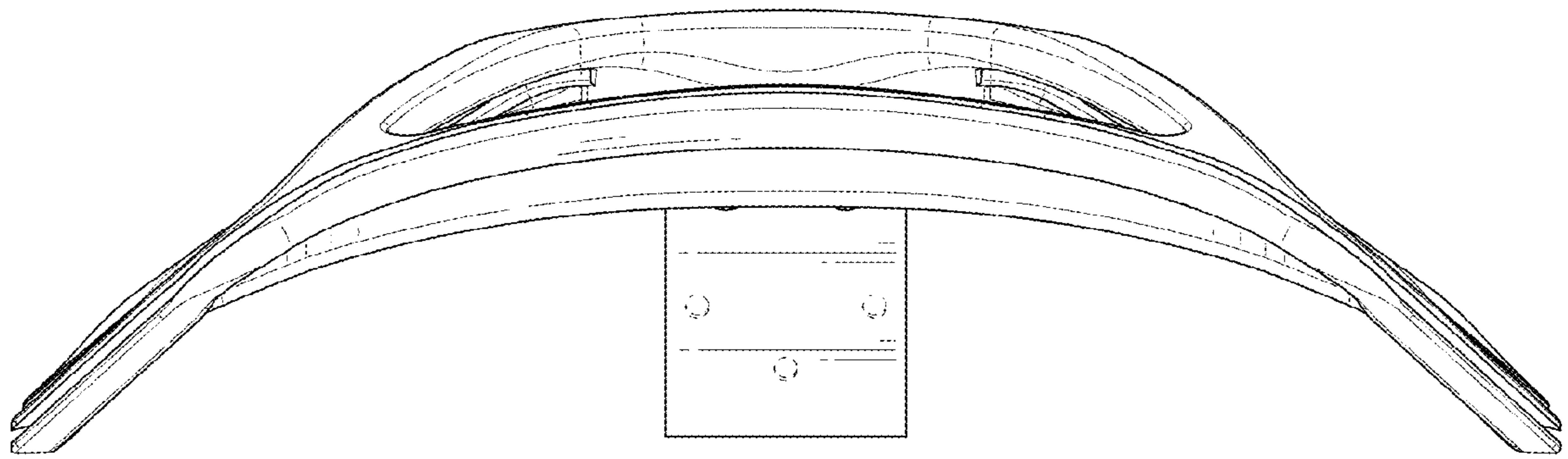


FIG. 7

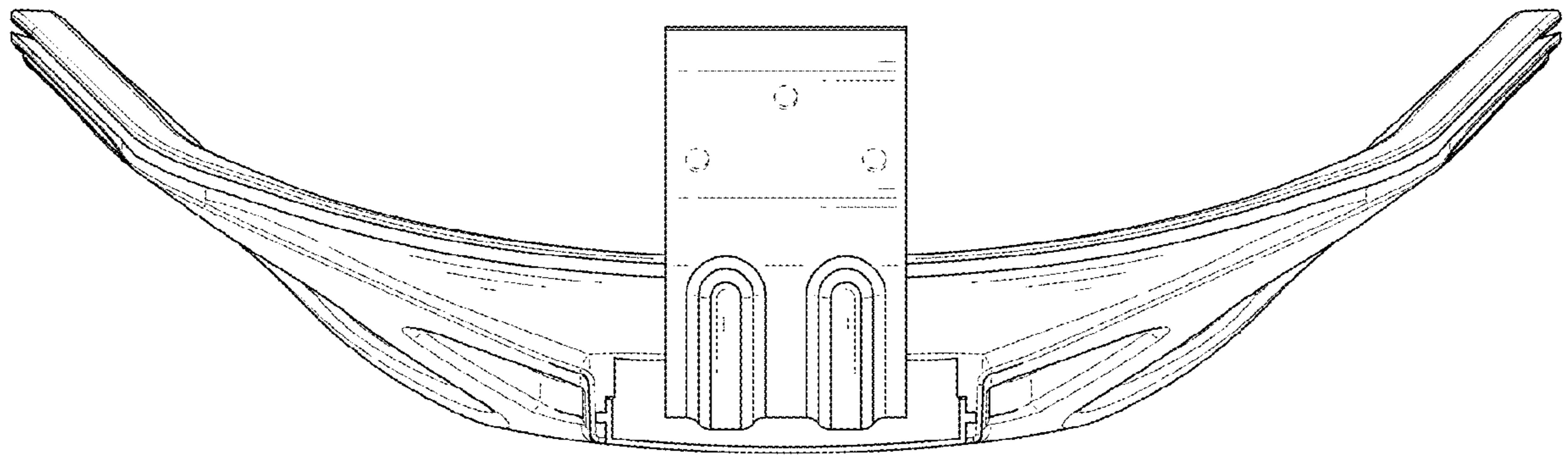


FIG. 8