



US00D929163S

(12) **United States Design Patent** (10) **Patent No.:** **US D929,163 S**
Au et al. (45) **Date of Patent:** **** Aug. 31, 2021**

(54) **DIVIDER MEMBER HAVING ADJUSTABLE SECUREMENT FIN**

(71) Applicant: **B-O-F CORPORATION**, Aurora, IL (US)

(72) Inventors: **Derek Au**, Aurora, IL (US); **Edwin Albarran**, Chicago, IL (US)

(73) Assignee: **B-O-F CORPORATION**, Aurora, IL (US)

(**) Term: **15 Years**

(21) Appl. No.: **29/686,969**

(22) Filed: **Apr. 9, 2019**

(51) **LOC (13) Cl.** **06-06**

(52) **U.S. Cl.**
USPC **D6/706**

(58) **Field of Classification Search**
USPC D6/672, 682, 705, 705.2, 706;
D8/380-381
CPC A47B 65/15; A47B 88/00; A47B 88/90;
A47B 88/975; A47B 67/10; A47F 5/005;
A47F 5/0068; A47F 5/105; A47F 3/06
See application file for complete search history.

(56) **References Cited**

U.S. PATENT DOCUMENTS

2,634,866 A 4/1953 Hanshaw
3,198,340 A 8/1965 Tokash
D243,674 S 3/1977 Dallaire
(Continued)

FOREIGN PATENT DOCUMENTS

KR 20-0327237 9/2003
WO WO-2009097655 A1 8/2009
WO WO-2010062985 A1 6/2010

Primary Examiner — Kelley A Donnelly
(74) *Attorney, Agent, or Firm* — Marshall, Gerstein & Borun LLP

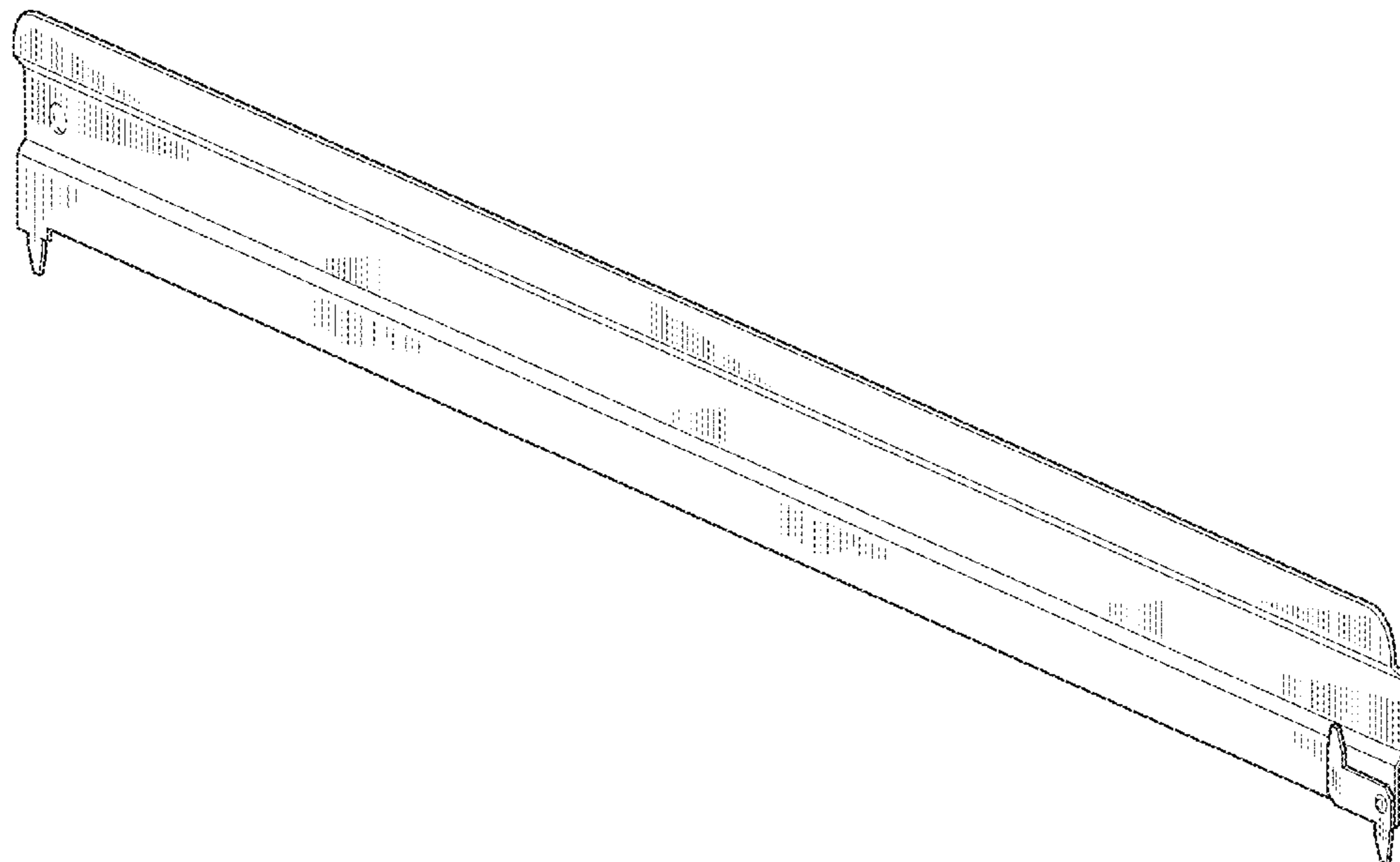
(57) **CLAIM**

The ornamental design for a divider member having adjustable securement fin, as shown and described.

DESCRIPTION

FIG. 1 is a front perspective view of a divider member having adjustable securement fin showing the new design; FIG. 2 is a left side view of the invention illustrated in FIG. 1; FIG. 3 is a right side view of the invention illustrated in FIG. 1; FIG. 4 is a rear view of the invention illustrated in FIG. 1; FIG. 5 is a front view of the invention illustrated in FIG. 1; FIG. 6 is a bottom view of the invention illustrated in FIG. 1; FIG. 7 is a top view of the invention illustrated in FIG. 1; FIG. 8 is a front perspective view of the invention illustrated in FIG. 1, with a securement fin thereof in another position; FIG. 9 is a right side view of the invention as illustrated in FIG. 8; FIG. 10 is a left side view of the invention as illustrated in FIG. 8; FIG. 11 is a rear view of the invention as illustrated in FIG. 8; FIG. 12 is a front view of the invention as illustrated in FIG. 8; FIG. 13 is a bottom view of the invention as illustrated in FIG. 8; and, FIG. 14 is a top view of the invention as illustrated in FIG. 8.
The broken lines in the drawings depict portions of the divider member having adjustable securement fin and form no part of the claimed design.

1 Claim, 8 Drawing Sheets



(56)

References Cited

U.S. PATENT DOCUMENTS

D256,301 S 8/1980 Cutts
 D269,933 S 8/1983 Daenen et al.
 D275,921 S 10/1984 Ward
 4,488,653 A 12/1984 Belokin
 D285,152 S 8/1986 Smith
 4,613,047 A 9/1986 Bushyhead et al.
 4,757,915 A 7/1988 Albright et al.
 4,768,661 A 9/1988 Pfeifer
 D299,795 S 2/1989 Helstab
 D305,582 S 1/1990 Zapf
 D308,394 S 6/1990 Smith
 5,160,051 A 11/1992 Bustos
 D336,933 S * 6/1993 Sharon D20/43
 D366,581 S 1/1996 Campbell et al.
 5,490,357 A 2/1996 Lin
 D373,272 S 9/1996 Saunders
 5,938,048 A 8/1999 Carroll et al.
 6,164,462 A 12/2000 Mumford
 D458,781 S 6/2002 Cook et al.
 6,533,131 B2 3/2003 Bada
 D473,080 S 4/2003 Kellogg
 D482,913 S 12/2003 Lingvall
 D484,336 S 12/2003 Hansen et al.
 6,685,037 B1 2/2004 Zadak
 D495,539 S * 9/2004 Sjoberg D6/706
 D507,915 S * 8/2005 Nagel D6/706
 D510,220 S 10/2005 Sandy
 D521,777 S 5/2006 Gusdorf et al.
 7,124,897 B2 10/2006 Bustos
 D545,092 S 6/2007 Knorring, Jr. et al.
 D564,764 S 3/2008 Springer et al.
 D568,645 S 5/2008 Gore et al.
 D587,562 S 3/2009 Fernandez
 D587,939 S 3/2009 Schloss
 D613,100 S 4/2010 Chancey
 D619,393 S 7/2010 Gollas et al.
 D623,577 S 9/2010 Orson et al.

D639,599 S 6/2011 Stewart et al.
 D641,560 S 7/2011 Thompson
 D664,794 S * 8/2012 Leveto D6/706
 D690,118 S 9/2013 Grandin et al.
 8,579,124 B2 * 11/2013 Ferry B65D 5/48022
 211/72
 D702,068 S 4/2014 Mitten et al.
 D707,994 S * 7/2014 Le D6/706
 D745,796 S * 12/2015 Zeidner D6/706
 D779,865 S * 2/2017 Bram D6/706
 D799,252 S * 10/2017 Coretti, Jr. D6/705
 D808,206 S * 1/2018 Zeidner D6/706
 D819,732 S * 6/2018 Nilsson D19/34.1
 D831,394 S * 10/2018 Brooks D6/706
 D843,149 S * 3/2019 Nilsson D6/706
 D847,548 S * 5/2019 Carzola D6/706
 D864,636 S * 10/2019 Rollins A47F 5/0043
 D6/706
 D876,138 S * 2/2020 Rollins A47F 5/0018
 D6/706
 D885,813 S * 6/2020 Snell D6/706
 2006/0283819 A1 12/2006 Larsen et al.
 2013/0062295 A1 * 3/2013 Bird A47F 1/126
 211/59.3
 2013/0306582 A1 * 11/2013 Chen A47F 1/00
 211/59.4
 2014/0124463 A1 * 5/2014 Goehring A47F 1/12
 211/49.1
 2014/0263133 A1 * 9/2014 Walker A47F 5/005
 211/184
 2015/0223620 A1 * 8/2015 Nilsson A47B 57/58
 211/59.4
 2016/0296039 A1 * 10/2016 Bird A47F 7/28
 2017/0202369 A1 * 7/2017 Mercier G01B 21/16
 2018/0020830 A1 * 1/2018 Leinonen A47F 5/005
 211/153
 2021/0137261 A1 * 5/2021 Jones A47B 13/02

* cited by examiner

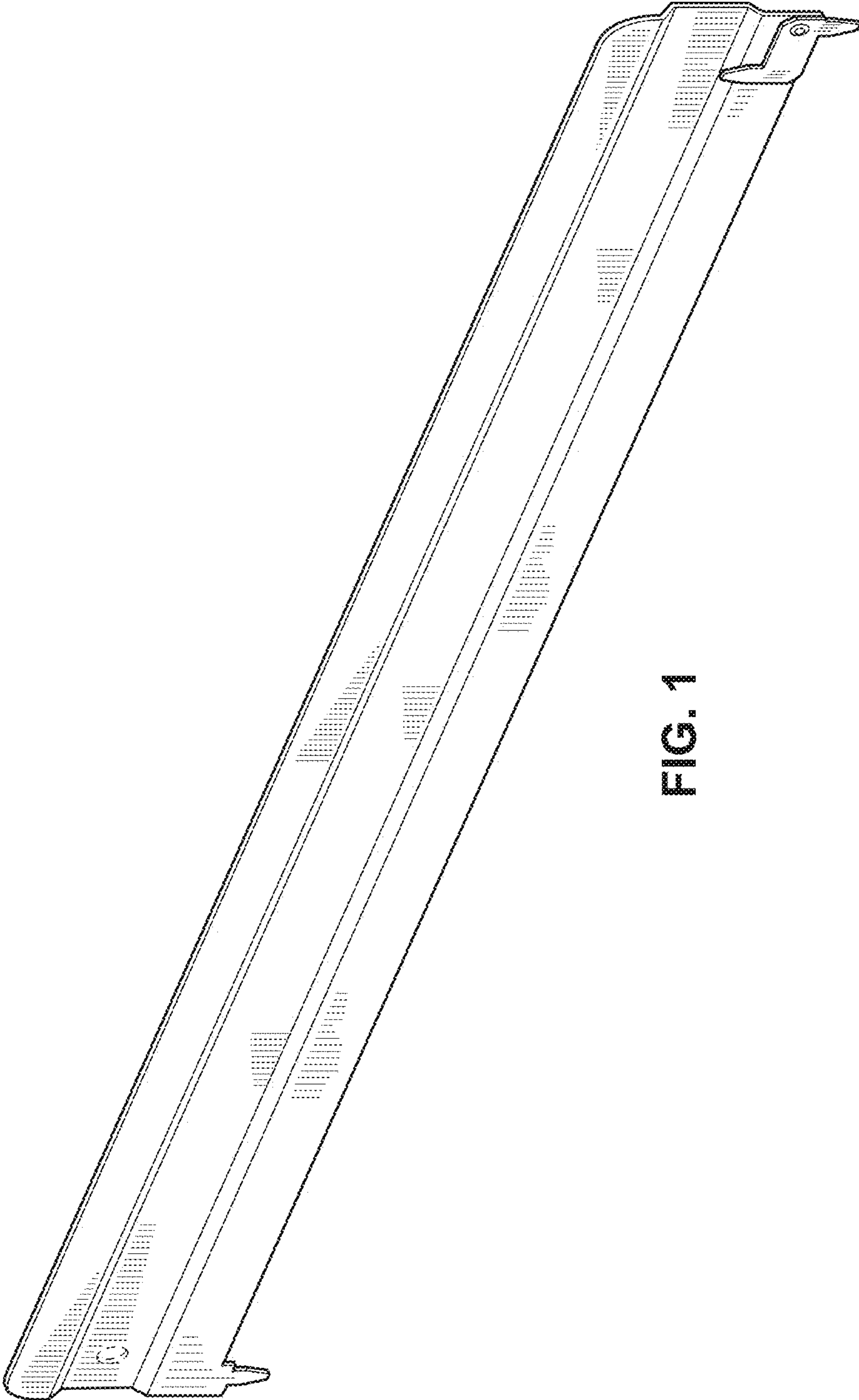


FIG. 1

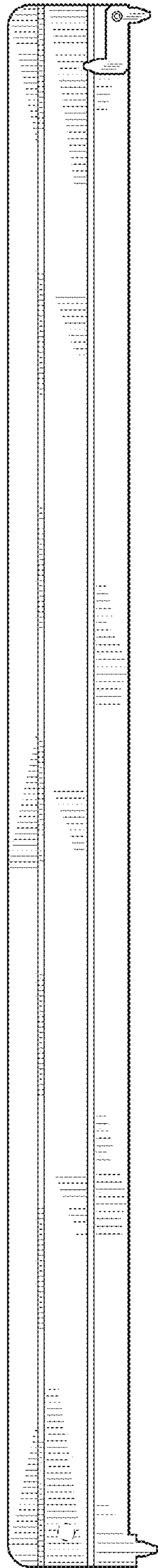


FIG. 2

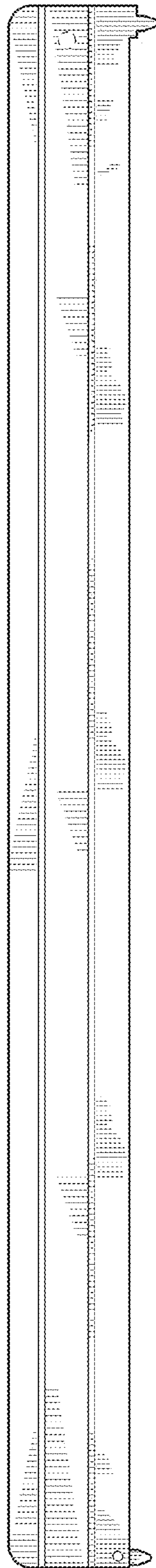


FIG. 3

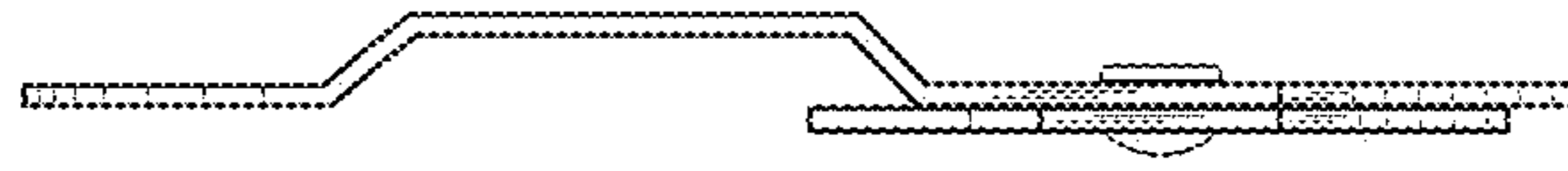


FIG. 5

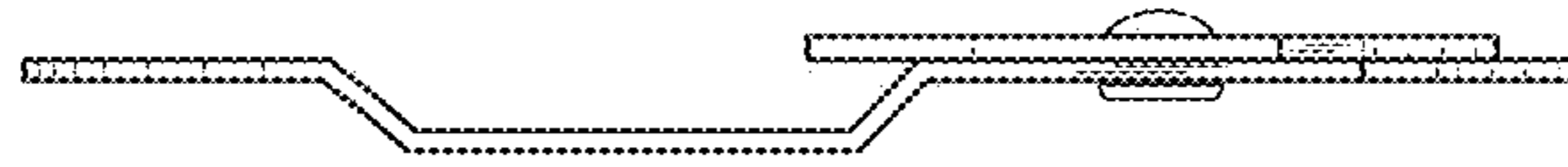


FIG. 4



FIG. 6



FIG. 7

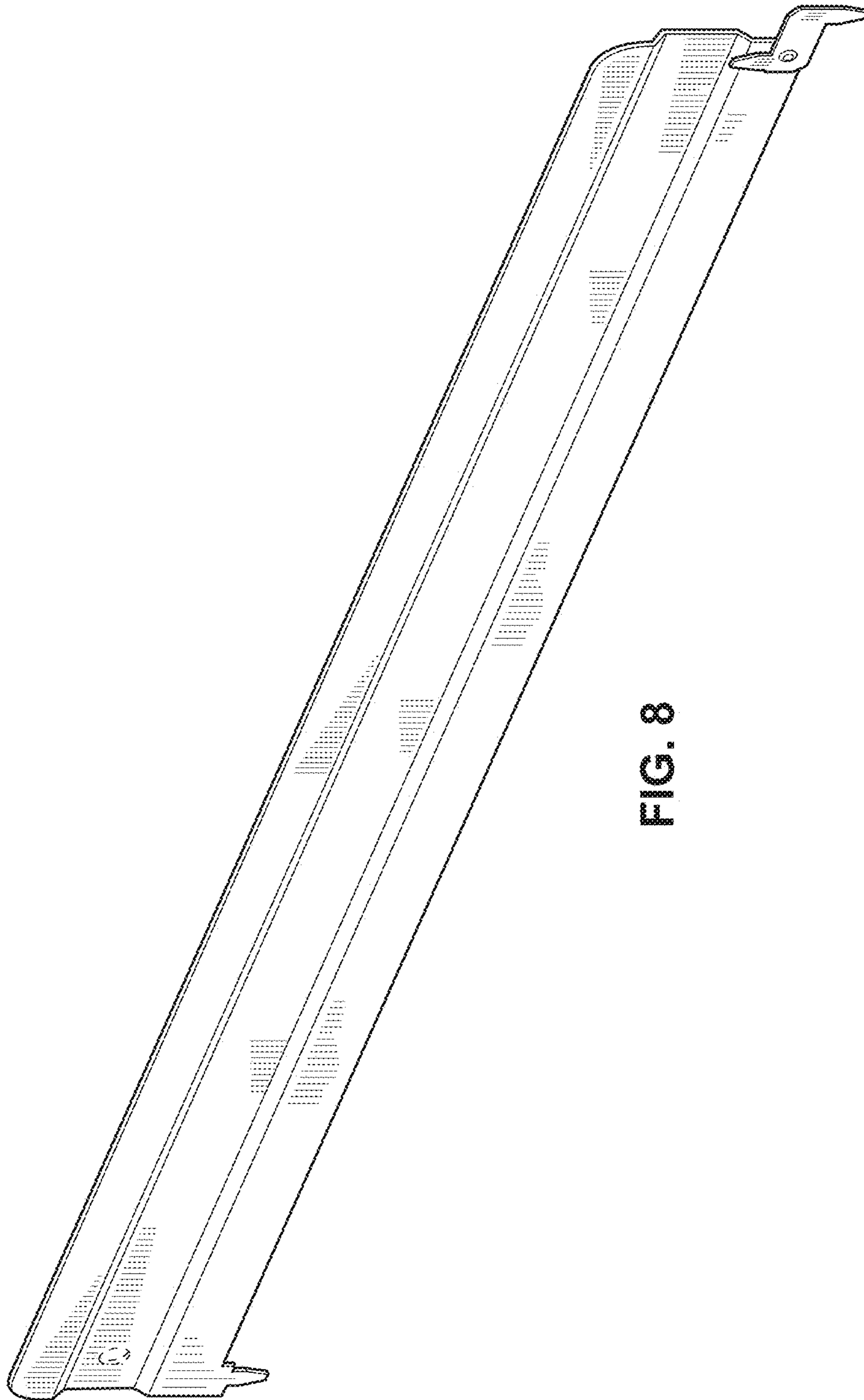


FIG. 8

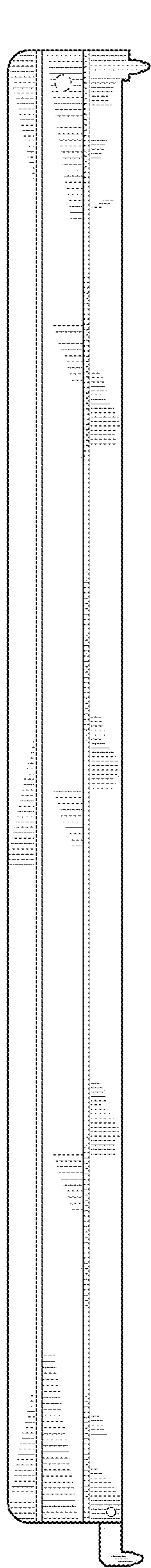


FIG. 9

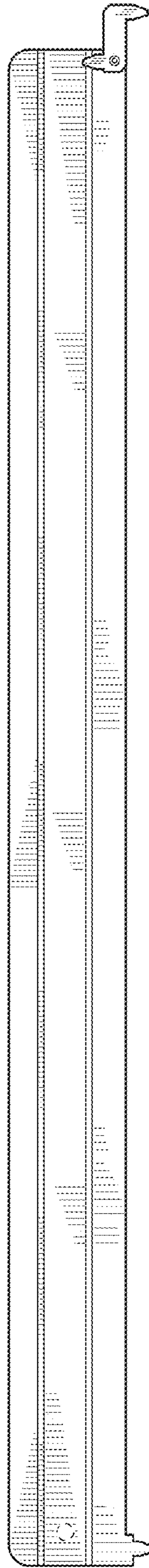


FIG. 10



FIG. 12



FIG. 11

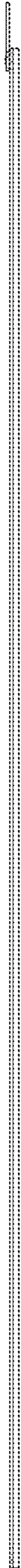


FIG. 13



FIG. 14