



US00D929153S

(12) **United States Design Patent**
Carver

(10) **Patent No.:** **US D929,153 S**

(45) **Date of Patent:** **** Aug. 31, 2021**

- (54) **NECK PILLOW**
- (71) Applicant: **John Carver**, San Diego, CA (US)
- (72) Inventor: **John Carver**, San Diego, CA (US)
- (**) Term: **15 Years**
- (21) Appl. No.: **29/731,774**
- (22) Filed: **Apr. 17, 2020**
- (51) **LOC (13) Cl.** **06-09**
- (52) **U.S. Cl.**
USPC **D6/601**
- (58) **Field of Classification Search**
USPC D6/582-583, 587-592, 595-609,
D6/617-622; D21/803-809; D24/183
CPC A47G 9/00; A47G 2009/001; A47G
2009/002; A47G 2009/003; A47G 9/10;
A47G 9/1009; A47G 2009/1018; A47G
9/1045; A47G 9/1081; A47G 9/109
See application file for complete search history.

- 5,943,839 A * 8/1999 Miller E04D 15/02
52/748.1
- 6,360,387 B1 * 3/2002 Everhart A47C 20/027
5/490
- D651,840 S * 1/2012 Davis, III A47C 20/048
D6/601
- D666,045 S * 8/2012 Spencer D6/601
- D824,695 S * 8/2018 Campilii D6/601
- D872,504 S * 1/2020 Toft D6/601
- 2011/0056502 A1 * 3/2011 Davis A61G 13/1265
128/845
- 2018/0214733 A1 * 8/2018 DeNunzio A63B 21/4039
- 2019/0053648 A1 * 2/2019 Santizo A47C 20/021

* cited by examiner

Primary Examiner — Jennifer L Rempfer

(57) **CLAIM**

The ornamental design for a neck pillow, as shown and described.

DESCRIPTION

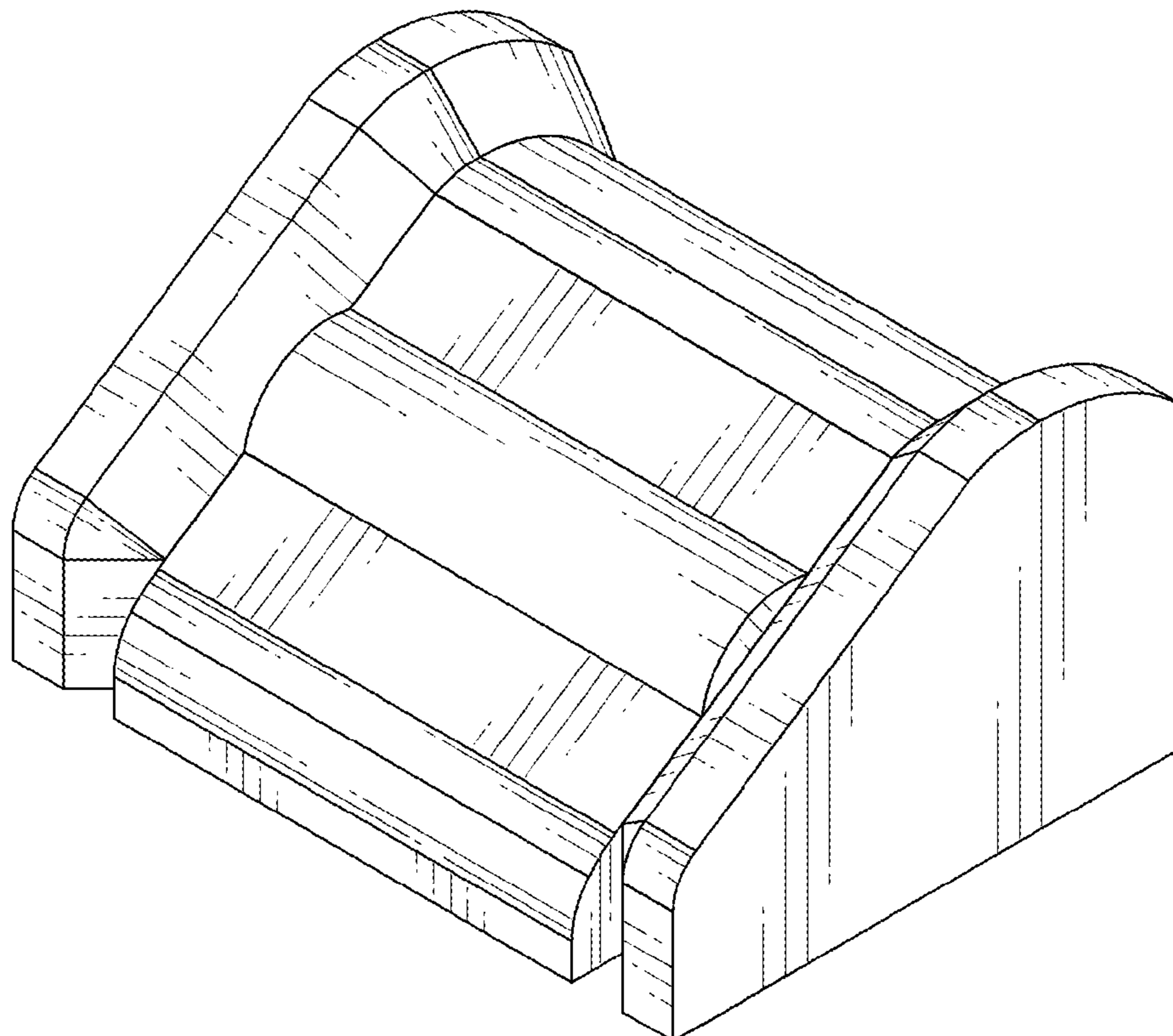
FIG. 1 is a top perspective view of a neck pillow;
 FIG. 2 is a bottom perspective view thereof;
 FIG. 3 is a front elevational view thereof;
 FIG. 4 is a rear elevational view thereof;
 FIG. 5 is a top plan view thereof;
 FIG. 6 is a bottom plan view thereof; and,
 FIG. 7 is a right elevation view thereof.
 The left side elevational view is a mirror image of the right elevational view.

1 Claim, 7 Drawing Sheets

(56) **References Cited**

U.S. PATENT DOCUMENTS

- 3,284,817 A * 11/1966 Landwirth A61G 7/0755
5/647
- 5,113,875 A * 5/1992 Bennett A47C 20/021
5/648
- D366,527 S * 1/1996 Paterson D24/158
- D375,989 S * 11/1996 Jacobs D21/809
- D407,259 S * 3/1999 Jackson D6/604



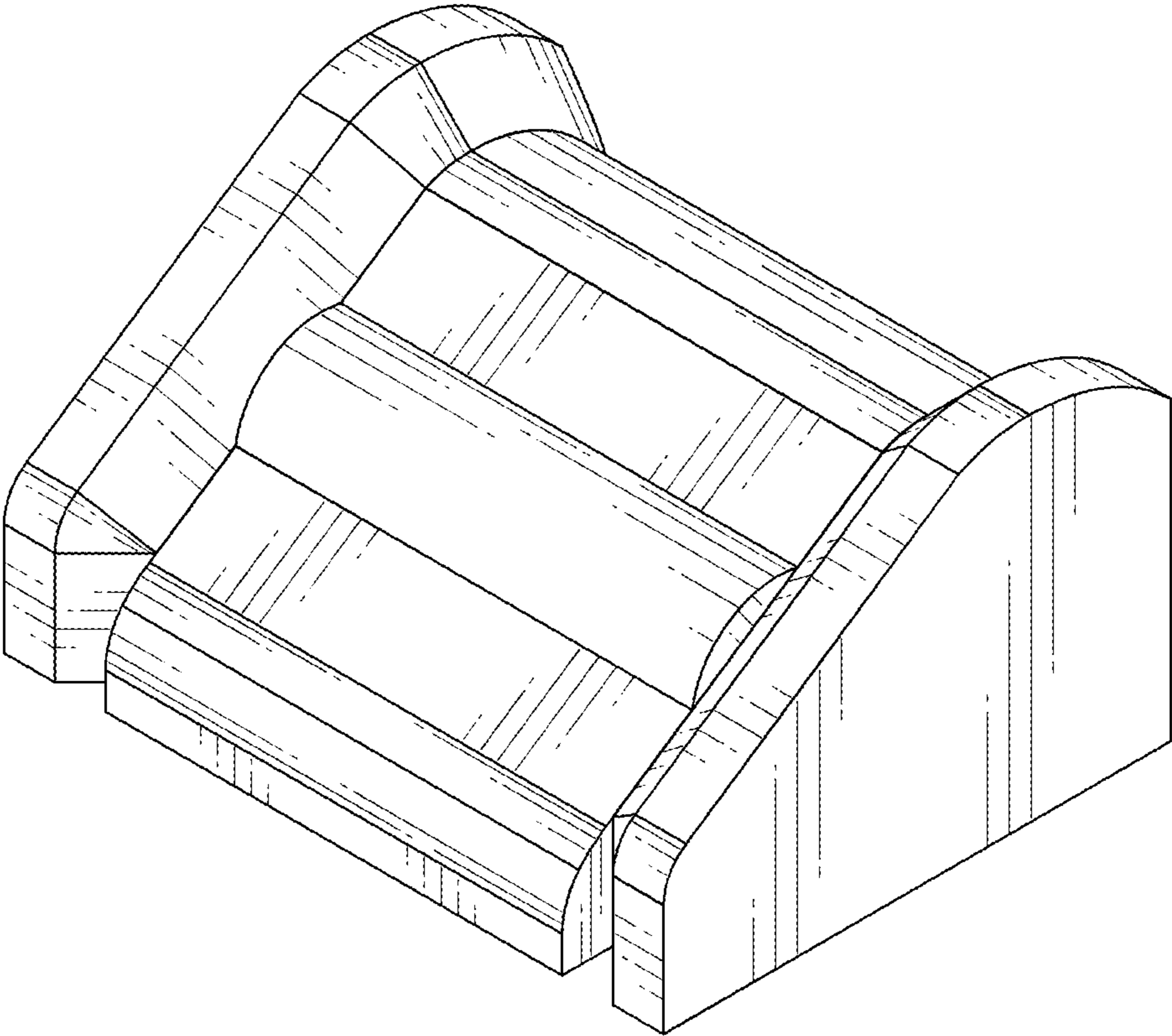


FIG.1

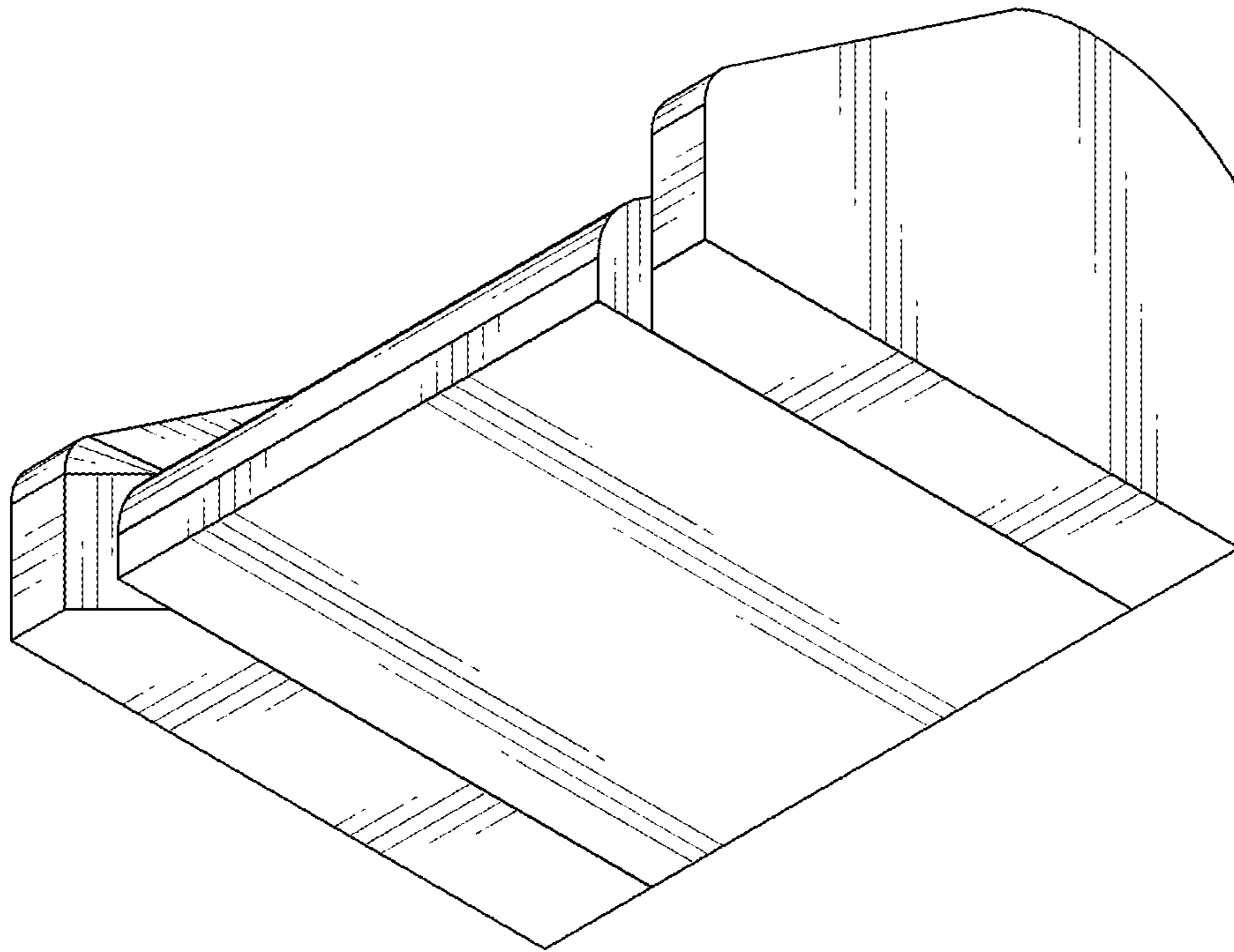


FIG.2

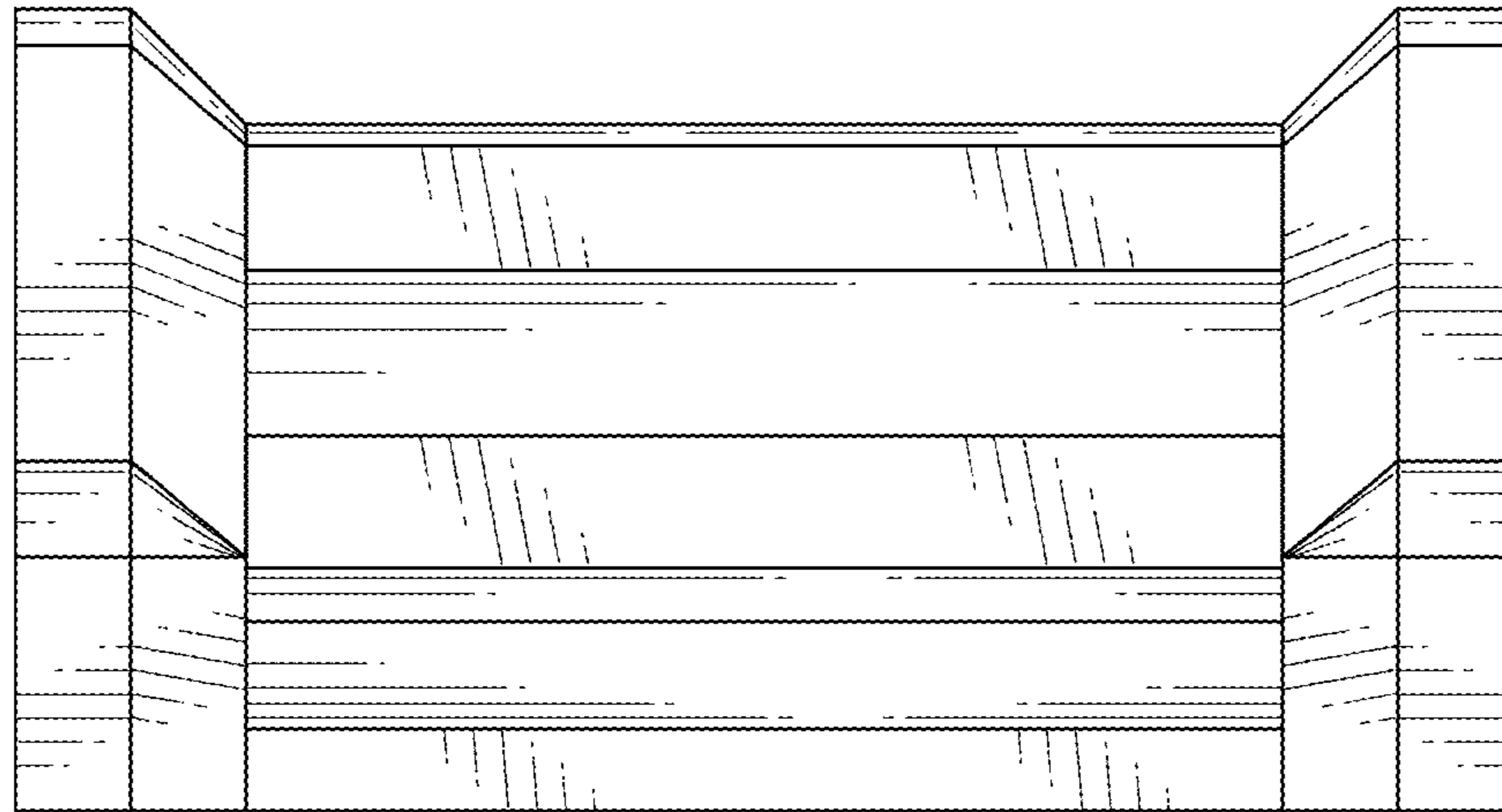


FIG.3

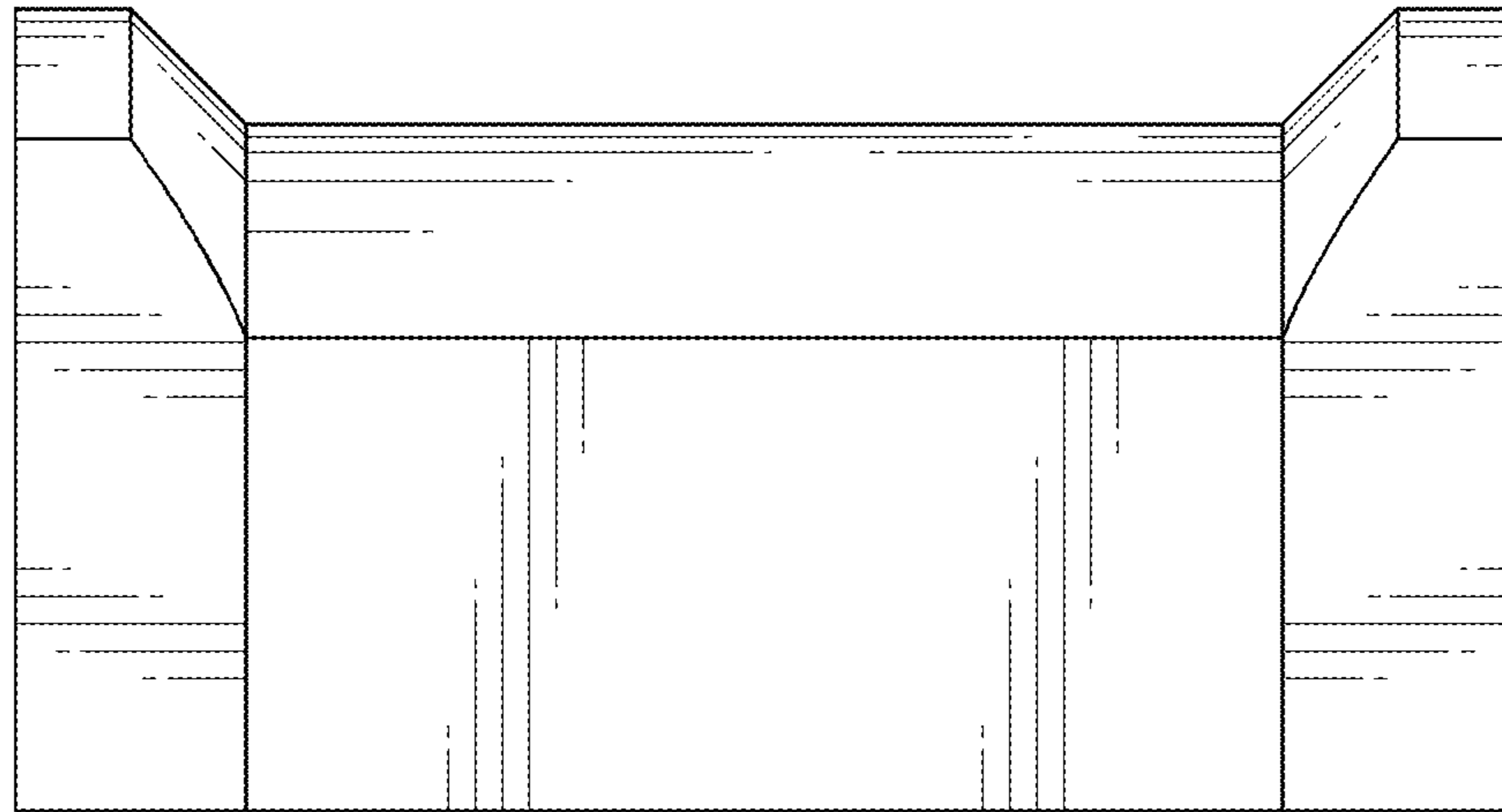


FIG.4

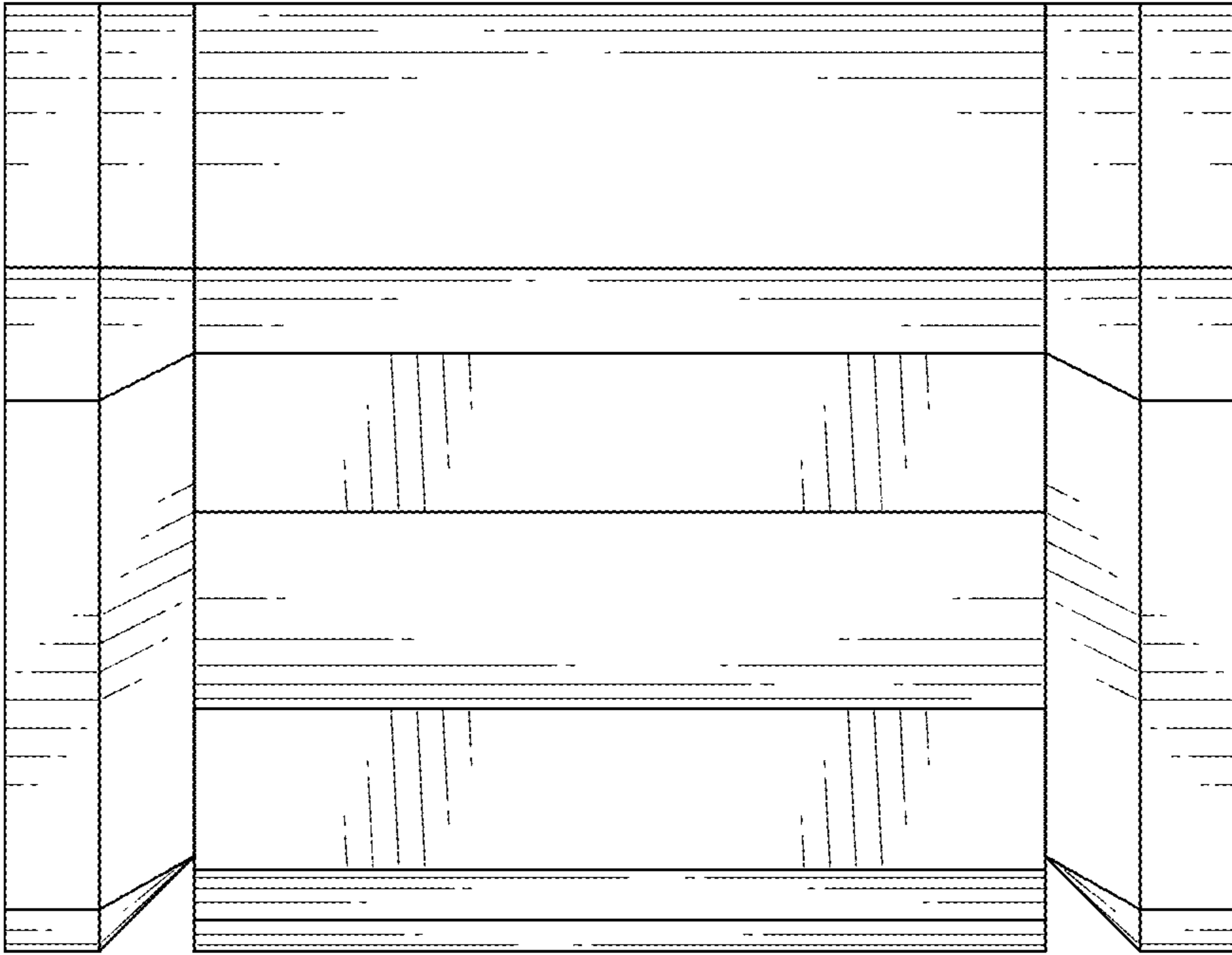


FIG.5

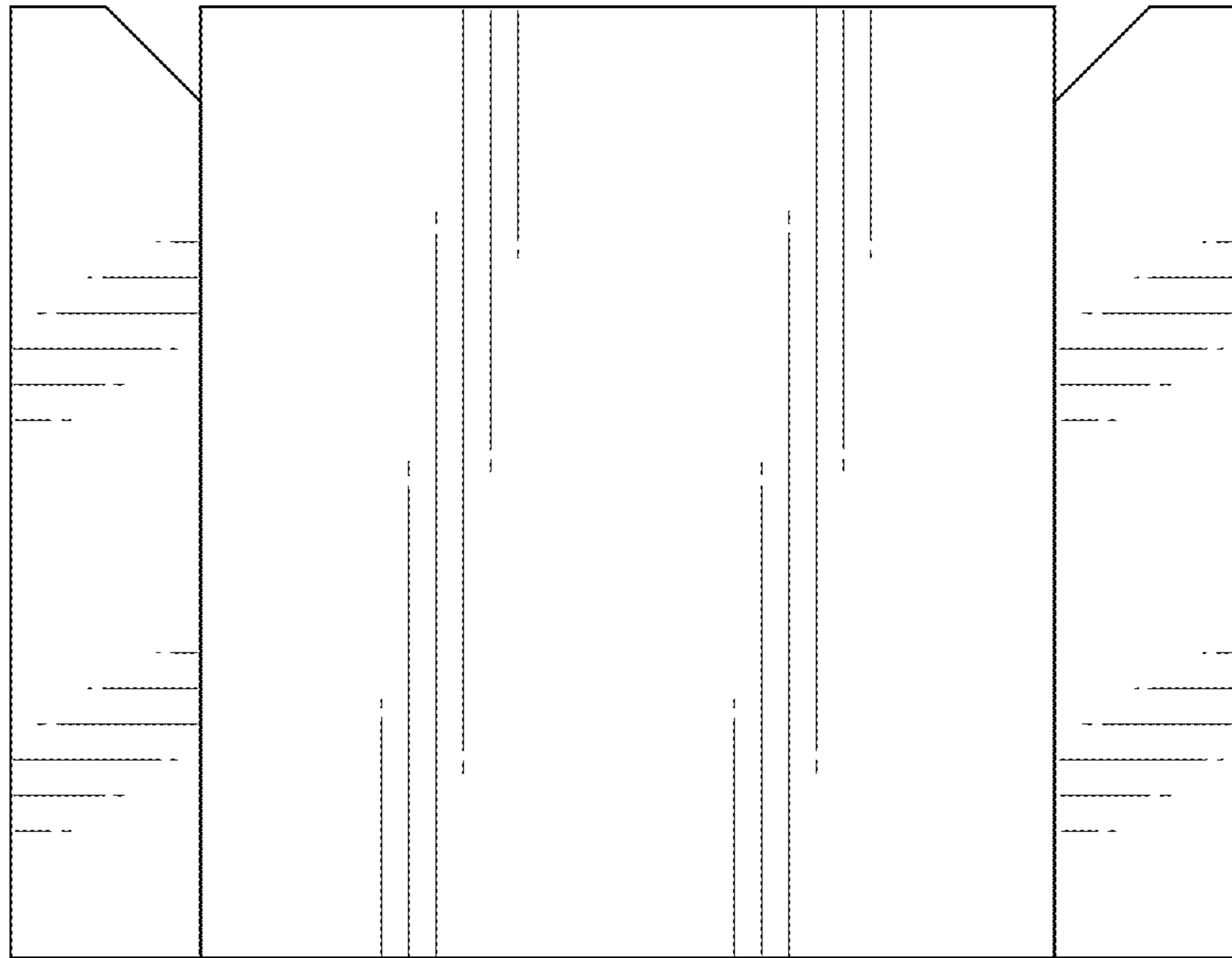


FIG.6

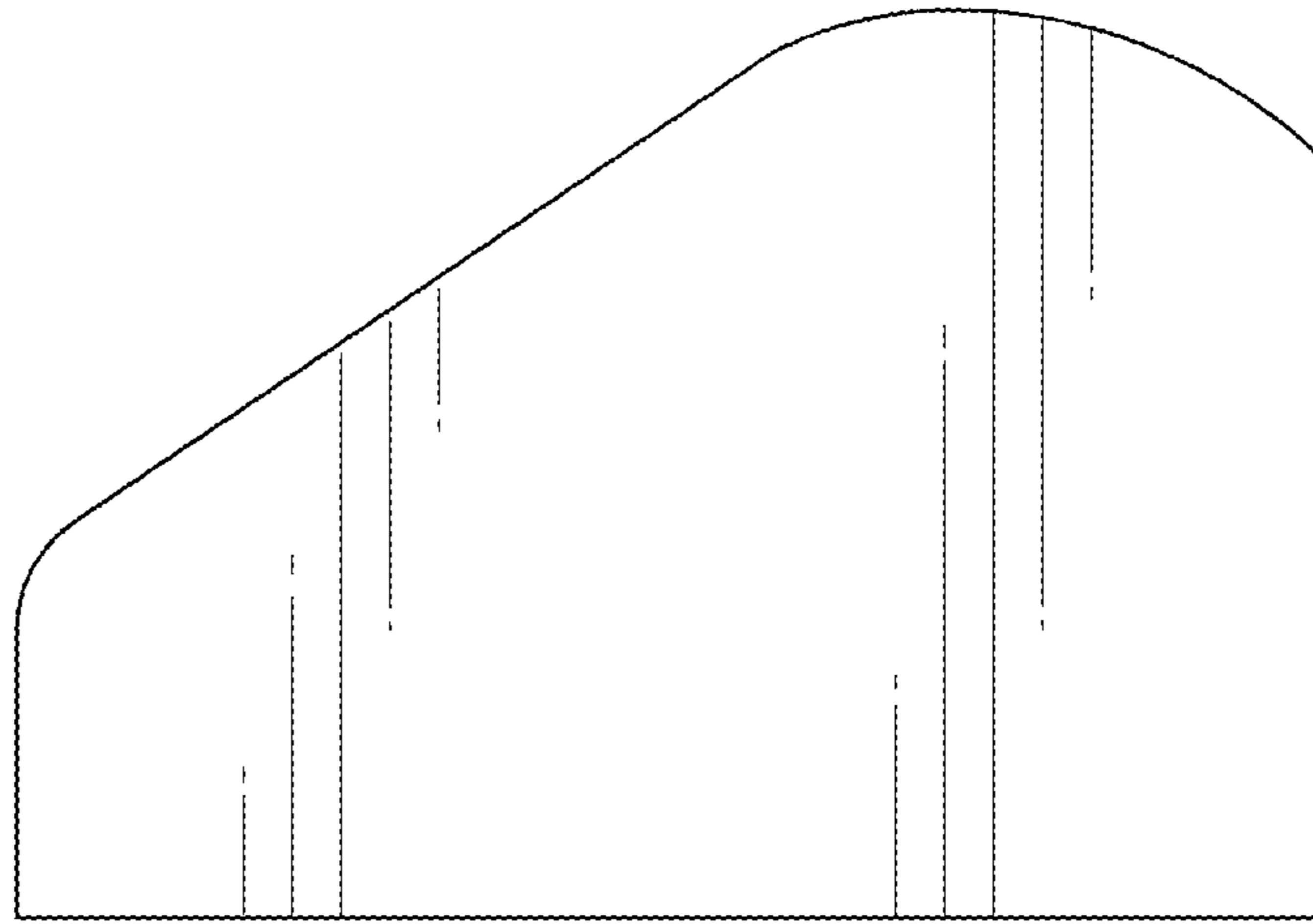


FIG.7