

US00D929152S

(12) **United States Design Patent** (10) **Patent No.:** **US D929,152 S**
Brown (45) **Date of Patent:** **** Aug. 31, 2021**

(54) **TRAVEL PILLOW**

(71) Applicant: **Mathew Chase Brown**, Dallas, TX
(US)

(72) Inventor: **Mathew Chase Brown**, Dallas, TX
(US)

(**) Term: **15 Years**

(21) Appl. No.: **29/682,496**

(22) Filed: **Mar. 6, 2019**

7,043,786	B1	5/2006	Hall et al.	
7,441,292	B2	10/2008	Williams et al.	
8,144,913	B1	3/2012	Myles, Jr.	
D737,598	S	9/2015	Garcia	
D769,027	S	10/2016	Wang	
10,426,242	B1*	10/2019	Little	A45F 4/02
2008/0120782	A1*	5/2008	Chen	A47G 9/1036 5/630

(Continued)

FOREIGN PATENT DOCUMENTS

WO	WO-2014105036	A1	7/2014
WO	WO-2014121258	A1	8/2014

OTHER PUBLICATIONS

Amazon.com: https://www.amazon.com/Bookishbunny-Micro-Bolster-Pillow-Removable/dp/B07J45THLV/ref=sr_1_25?keywords=microbead+tube+pillows&qid=1551755997&s=gateway&sr=8-25 Visited Mar. 5, 2019.

(Continued)

Primary Examiner — Jennifer L Rempfer

(57) **CLAIM**

The ornamental design for a travel pillow, as shown and described.

DESCRIPTION

FIG. 1 is a perspective view of an embodiment of a travel pillow with an inner pocket partially showing; FIG. 2 is a perspective view of the travel pillow embodiment of FIG. 1 with the inner pocket extended; FIG. 3 is an opposite perspective view of the travel pillow embodiment of FIG. 1; and, FIG. 4 is a perspective view of another embodiment of the travel pillow showing an alternate zipper. The broken lines in the drawings are included for the purpose of showing an exemplary placement of a logo on the travel pillow and form no part of the claimed design.

1 Claim, 4 Drawing Sheets

Related U.S. Application Data

(63) Continuation of application No. 16/293,636, filed on Mar. 6, 2019, now abandoned.

(51) **LOC (13) Cl.** **06-09**

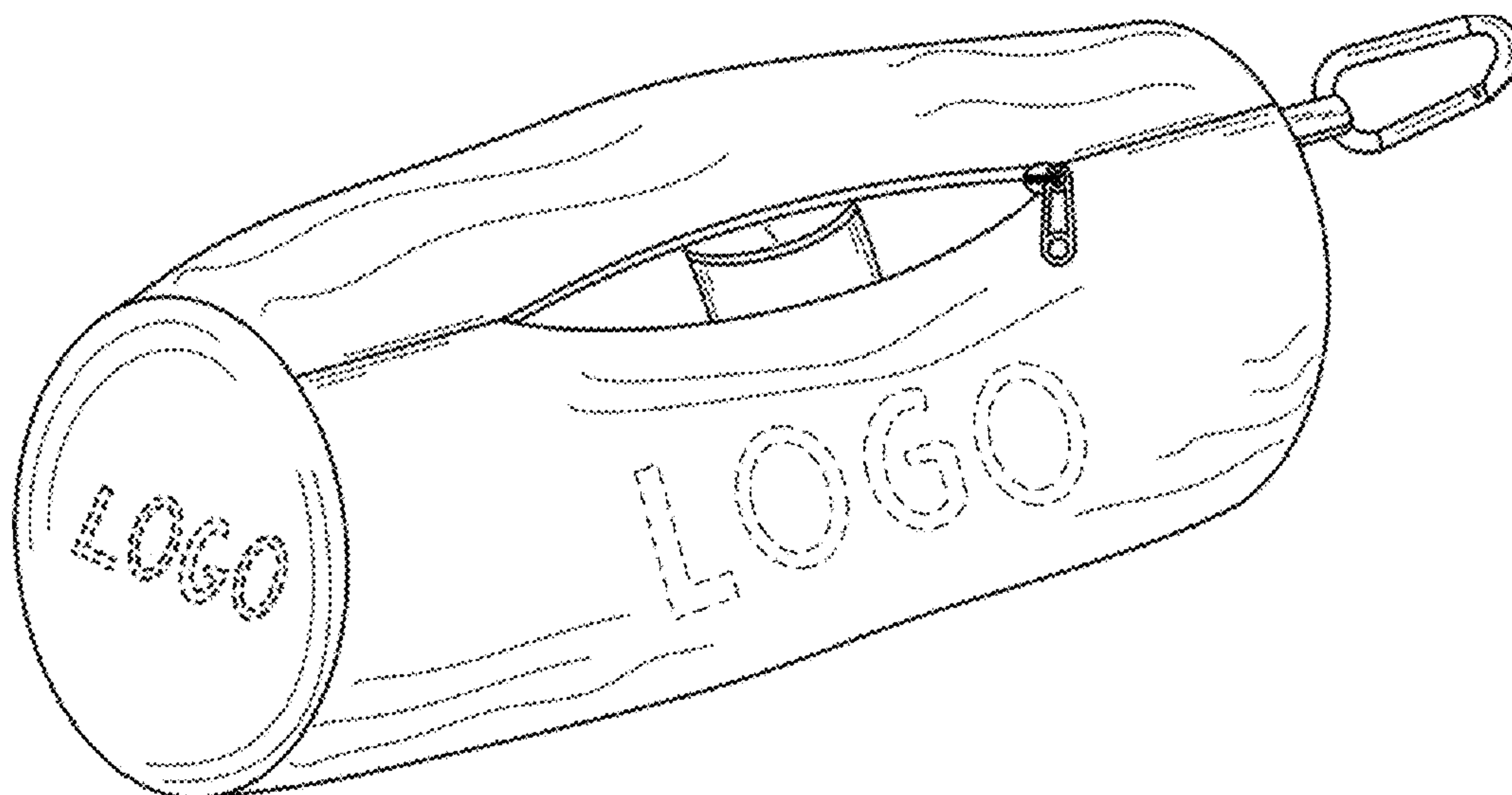
(52) **U.S. Cl.**
USPC **D6/601**

(58) **Field of Classification Search**
USPC D6/349, 375, 512, 595, 596, 601, 604, D6/611, 715, 716, 716.1; D21/803, 804, D21/805, 809; D24/183-185, 234
CPC A47G 9/10; A47G 9/1009; A47G 9/1018; A47G 9/1027; A47G 9/1036; A47G 9/1045; A47G 9/1063; A47G 9/1072; A47G 9/1081; A47G 9/109
See application file for complete search history.

(56) **References Cited**

U.S. PATENT DOCUMENTS

3,998,304	A *	12/1976	Edgerton, Jr.	A45C 3/00 190/107
4,277,859	A	7/1981	Seaman	
4,768,247	A	9/1988	Beier	
4,852,778	A *	8/1989	Beiser	B62J 9/21 224/417
5,737,785	A	4/1998	Casey	
5,918,333	A	7/1999	Takashima	
6,230,349	B1	5/2001	Silver et al.	



(56)

References Cited

U.S. PATENT DOCUMENTS

2012/0110733 A1* 5/2012 Salvaggio A47C 20/021
5/421
2012/0242115 A1* 9/2012 Schreiber B60N 2/24
297/180.12
2013/0119716 A1* 5/2013 Stronconi B60N 2/882
297/180.1
2014/0310877 A1 10/2014 Sternlight
2015/0314715 A1 11/2015 Kilgore et al.
2016/0007756 A1 1/2016 Hauer
2018/0092475 A1* 4/2018 Victor A47G 9/109
2018/0263389 A1* 9/2018 Lee A47G 9/0223
2019/0059621 A1* 2/2019 Chaibainou A47G 9/1081
2019/0167020 A1* 6/2019 Bice A47C 7/46
2019/0254448 A1* 8/2019 Bell A47C 20/025
2020/0054155 A1* 2/2020 Komatick A47G 9/1027
2020/0178709 A1* 6/2020 Brown A47G 9/10

OTHER PUBLICATIONS

https://www.amazon.com/Cushie-Microbead-Hypoallergenic-Comfortable-Pillow/dp/B072819QCD/ref=sr_1_98_sspa?keywords=microbead+tube+pillows&qid=1551756056&s=gateway&sr=8-98-spons Visited Mar. 5, 2019.
Amazon.com: https://www.amazon.com/Worlds-Best-Microbead-Pillow-Stripes/dp/B00U62QM1S/ref=sr_1_45?ie=UTF8&qid=1502984139&sr=8-45&keywords=tube+pillow Visited Mar. 5, 2019.

* cited by examiner

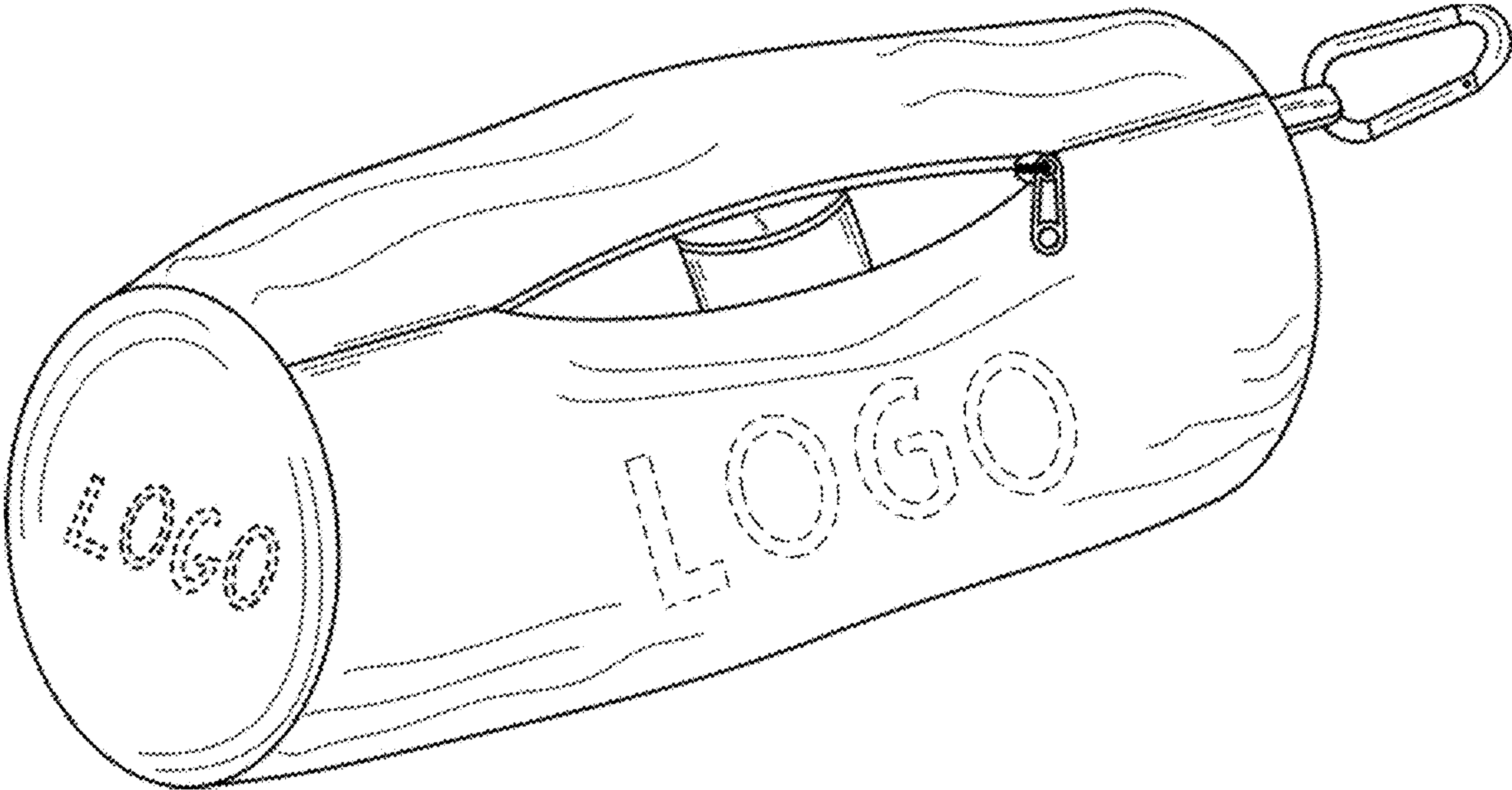


Fig. 1

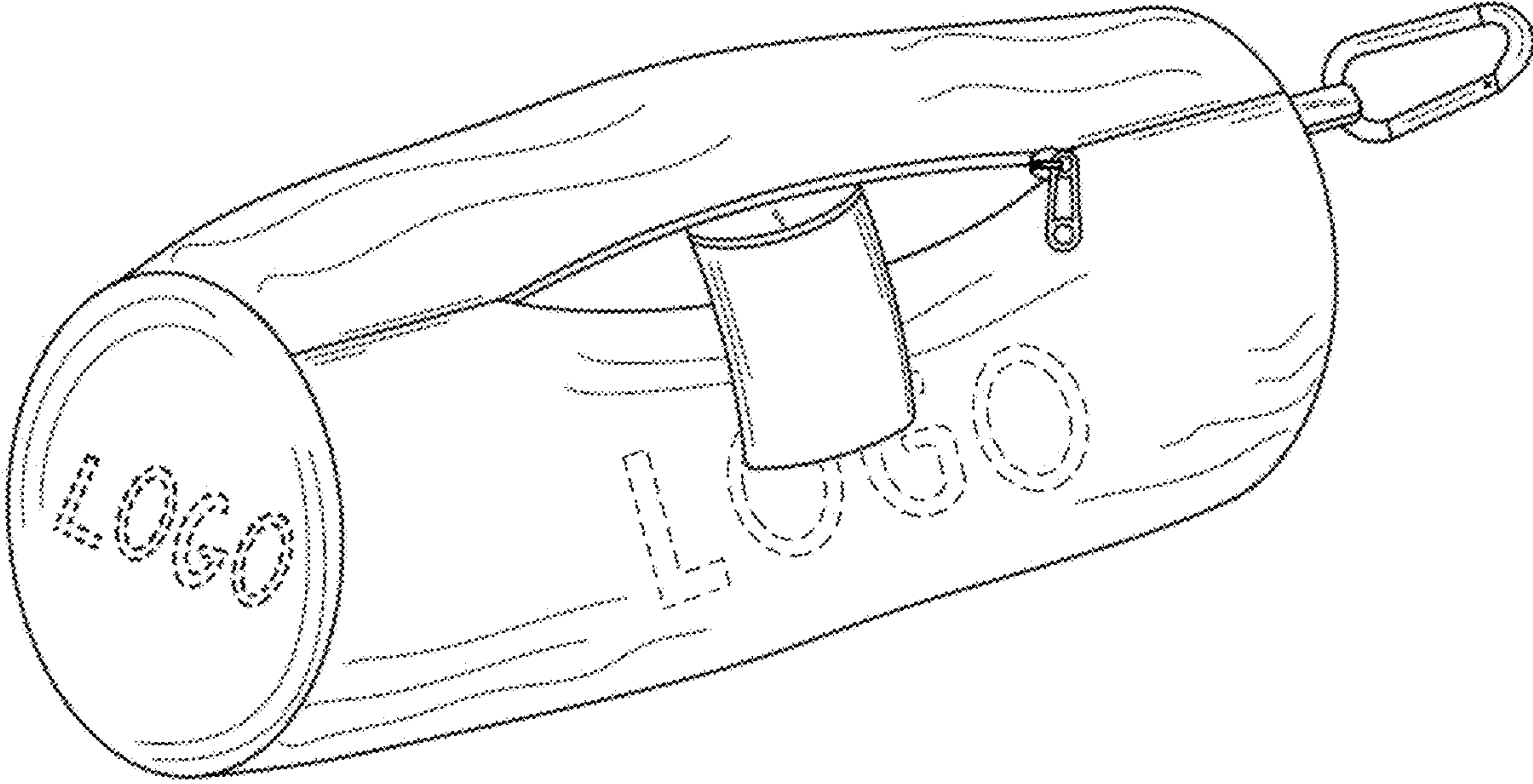


Fig. 2

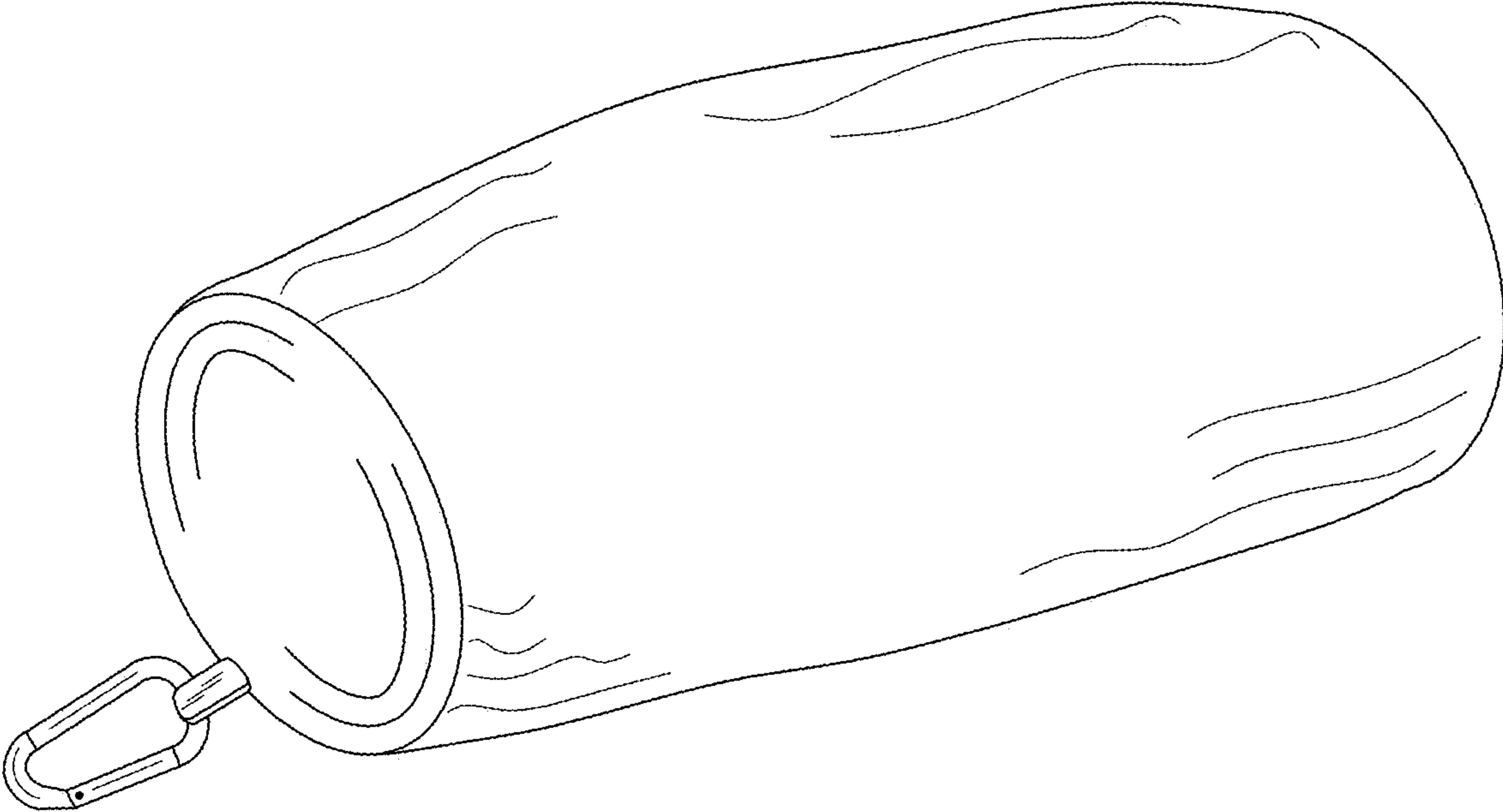


Fig. 3

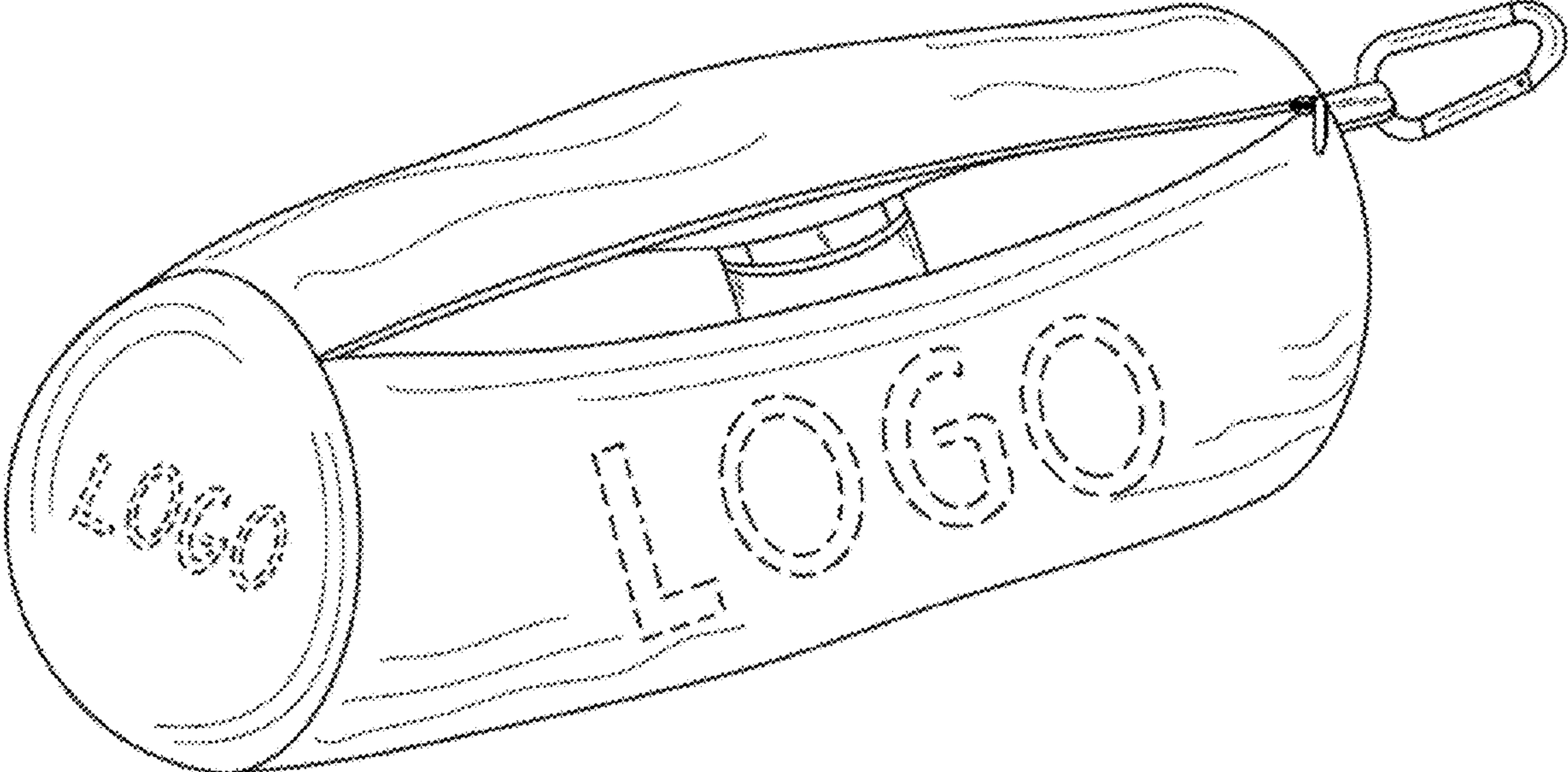


Fig. 4