

US00D929147S

(12) **United States Design Patent**
Ghiorghie

(10) **Patent No.:** **US D929,147 S**

(45) **Date of Patent:** **** Aug. 31, 2021**

(54) **TISSUE CONTAINER**

(71) Applicant: **InterDesign, Inc**, Solon, OH (US)

(72) Inventor: **Radu Alexandru Ghiorghie**, Copley, OH (US)

(73) Assignee: **InterDesign, Inc.**, Solon, OH (US)

(**) Term: **15 Years**

(21) Appl. No.: **29/770,752**

(22) Filed: **Feb. 16, 2021**

Related U.S. Application Data

(63) Continuation of application No. 29/733,178, filed on Apr. 30, 2020, now Pat. No. Des. 912,985, which is a continuation of application No. 29/678,010, filed on Jan. 25, 2019, now Pat. No. Des. 902,594, which is a continuation of application No. 29/638,819, filed on Mar. 1, 2018, now Pat. No. Des. 842,606, which is a continuation of application No. 29/546,621, filed on Nov. 24, 2015, now Pat. No. Des. 811,768, which is a continuation of application No. 29/423,096, filed on May 29, 2012, now Pat. No. Des. 746,643.

(51) **LOC (13) Cl.** **20-02**

(52) **U.S. Cl.**
USPC **D6/518**

(58) **Field of Classification Search**

USPC D6/518-524, 546-550; 211/13.1, 16, 211/60.1, 86.01, 87.01, 88.01, 88.04, 100, 211/105.1, 105.2, 123, 181.1, 182; 108/28-29; 248/175, 176.1, 251, 302; 242/570, 590, 595-598, 597.7; 16/110.1, 16/415; 220/216

CPC A47K 10/38; A47K 2010/3266; A47K 2010/3253; A47K 10/421; B65D 83/0805

See application file for complete search history.

(56) **References Cited**

U.S. PATENT DOCUMENTS

D264,782 S * 6/1982 Thompson D6/524
D297,311 S * 8/1988 Bussell D6/518

D362,947 S * 10/1995 Baker D1/105
D371,708 S * 7/1996 Haley D6/518
D372,386 S * 8/1996 Kuchenbecker D6/518
D436,273 S * 1/2001 Lange D6/519
D453,084 S * 1/2002 Lange D6/519
D594,754 S * 6/2009 Dretzka D6/518
D611,744 S * 3/2010 Mayer D6/518

(Continued)

OTHER PUBLICATIONS

Amazon.com, iDesign York Facial Tissue Box Cover, Mar. 5, 2019, <https://www.amazon.com/InterDesign-Facial-Vintage-Bathroom-Countertops/dp/B00BETR5IQ/> (Year: 2019).*

Primary Examiner — Nathan M Johnston

(74) *Attorney, Agent, or Firm* — Calfee, Halter & Griswold LLP

(57) **CLAIM**

The ornamental design for a tissue container, as shown and described.

DESCRIPTION

FIG. 1 is a front/right/top perspective view of a tissue container (a front/left/top perspective view would be a mirror image thereof);

FIG. 2 is a rear/right/bottom perspective view thereof (a rear/left/bottom perspective view would be a mirror image thereof);

FIG. 3 is a rear elevational view thereof (a front elevational view would be a mirror image thereof);

FIG. 4 is a left side elevational view thereof;

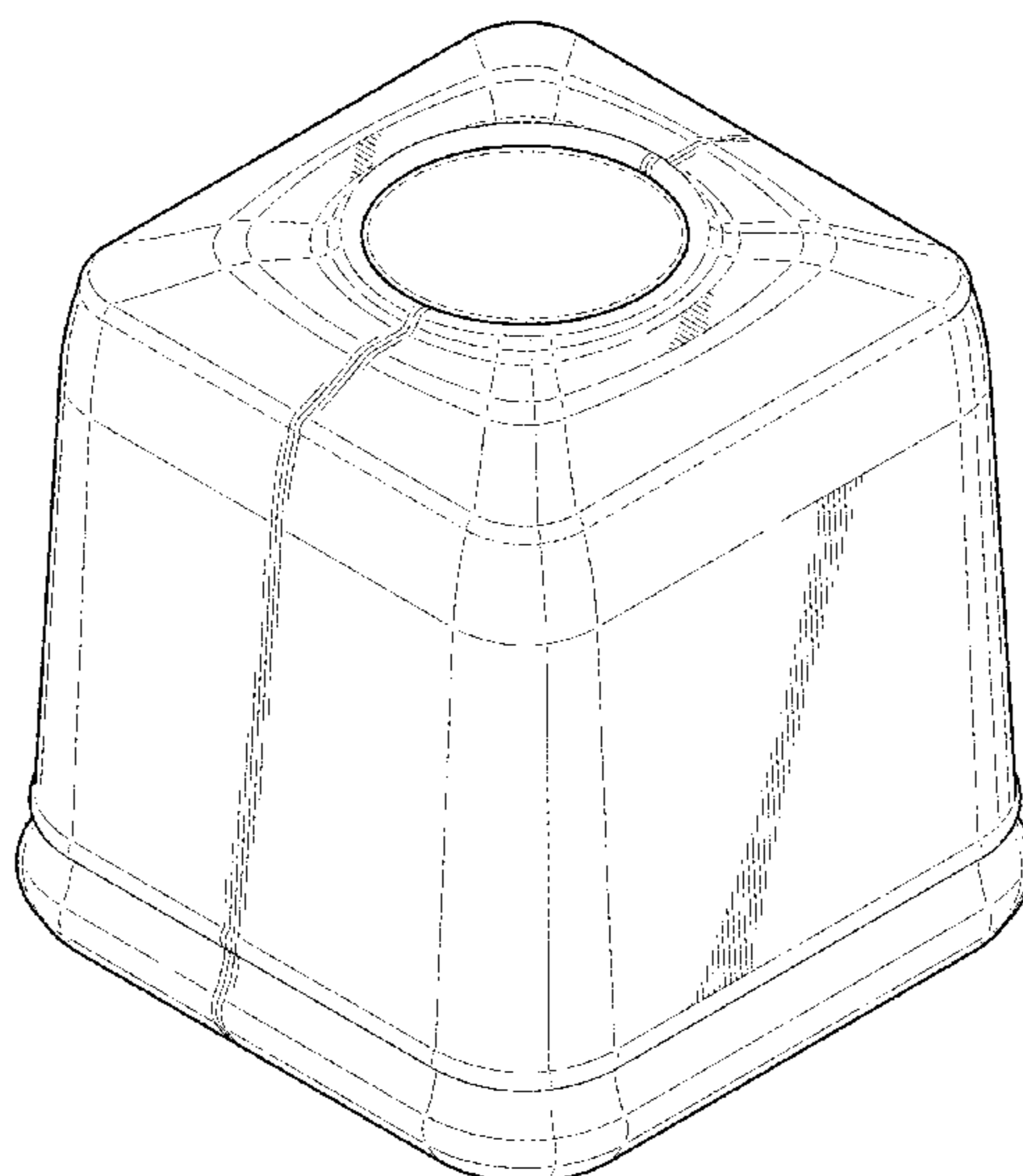
FIG. 5 is a right side elevational view thereof;

FIG. 6 is a top plan view thereof; and,

FIG. 7 is a bottom plan view thereof.

The broken lines depict portions of the tissue container that form no part of the claimed design.

1 Claim, 7 Drawing Sheets



(56)

References Cited

U.S. PATENT DOCUMENTS

D614,425 S *	4/2010	Mayer	D6/518
D631,268 S *	1/2011	Yang	D6/518
D777,027 S *	1/2017	Baker	D9/418
D822,401 S *	7/2018	Williquette	D6/518

* cited by examiner

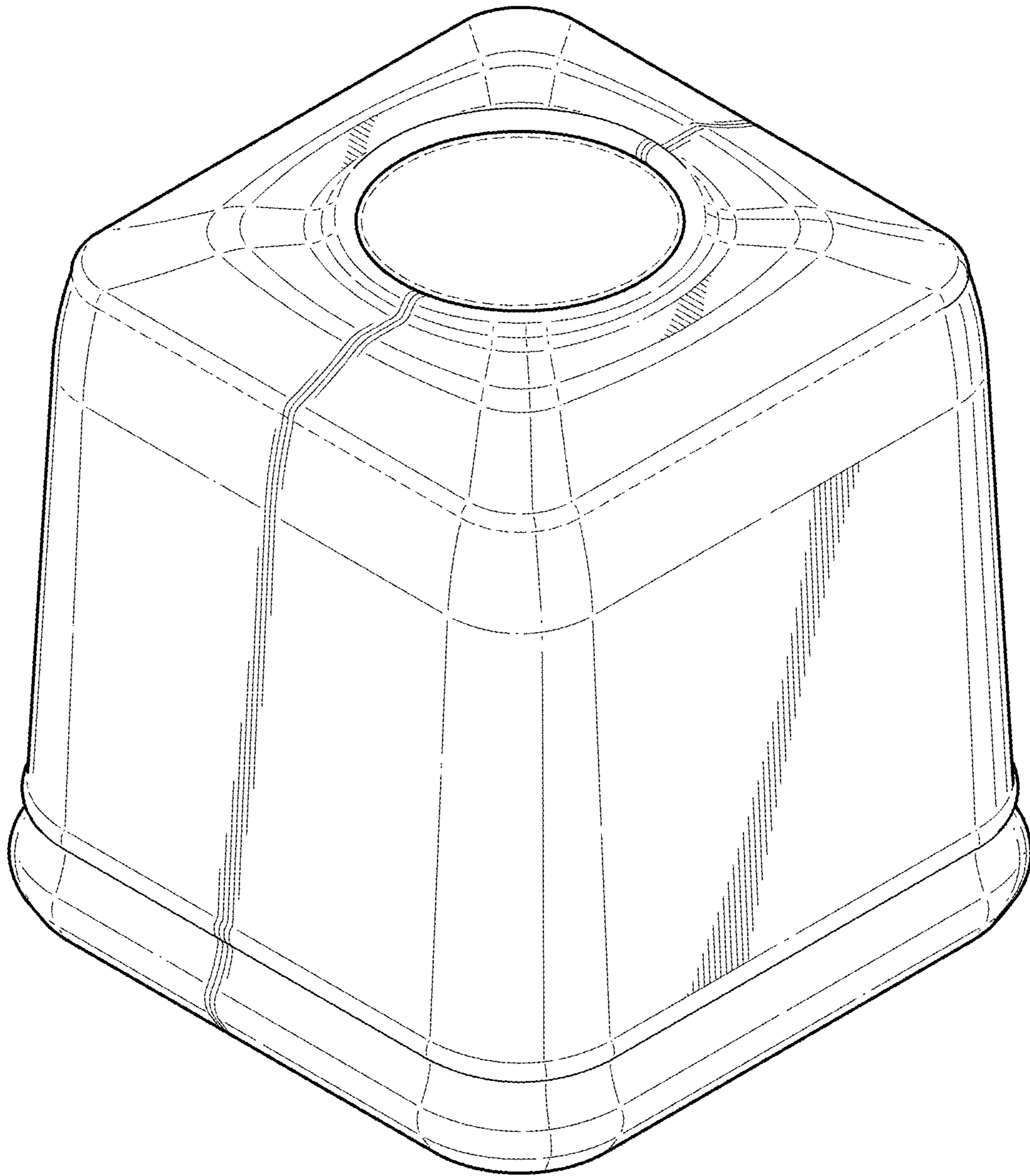


FIG. 1

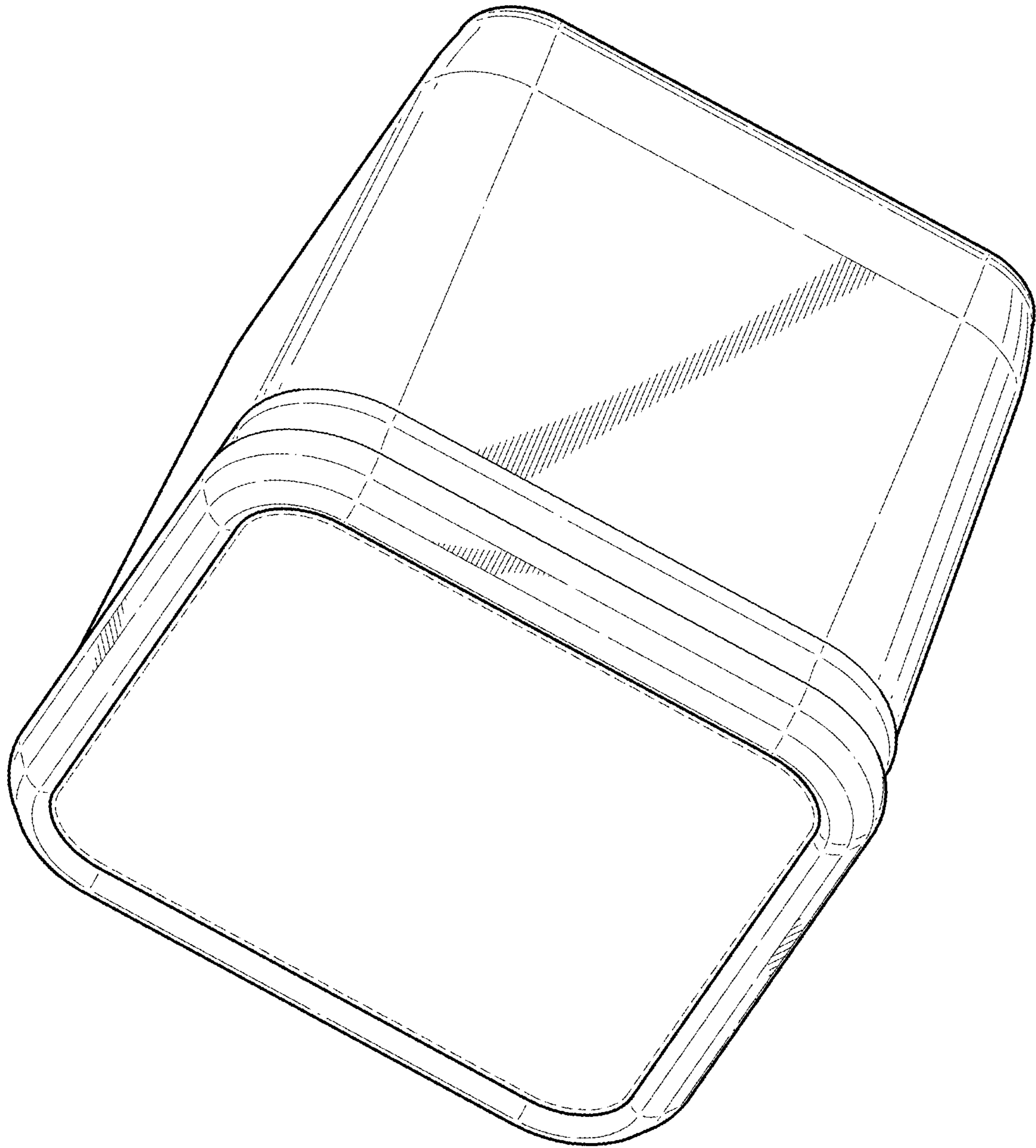


FIG. 2

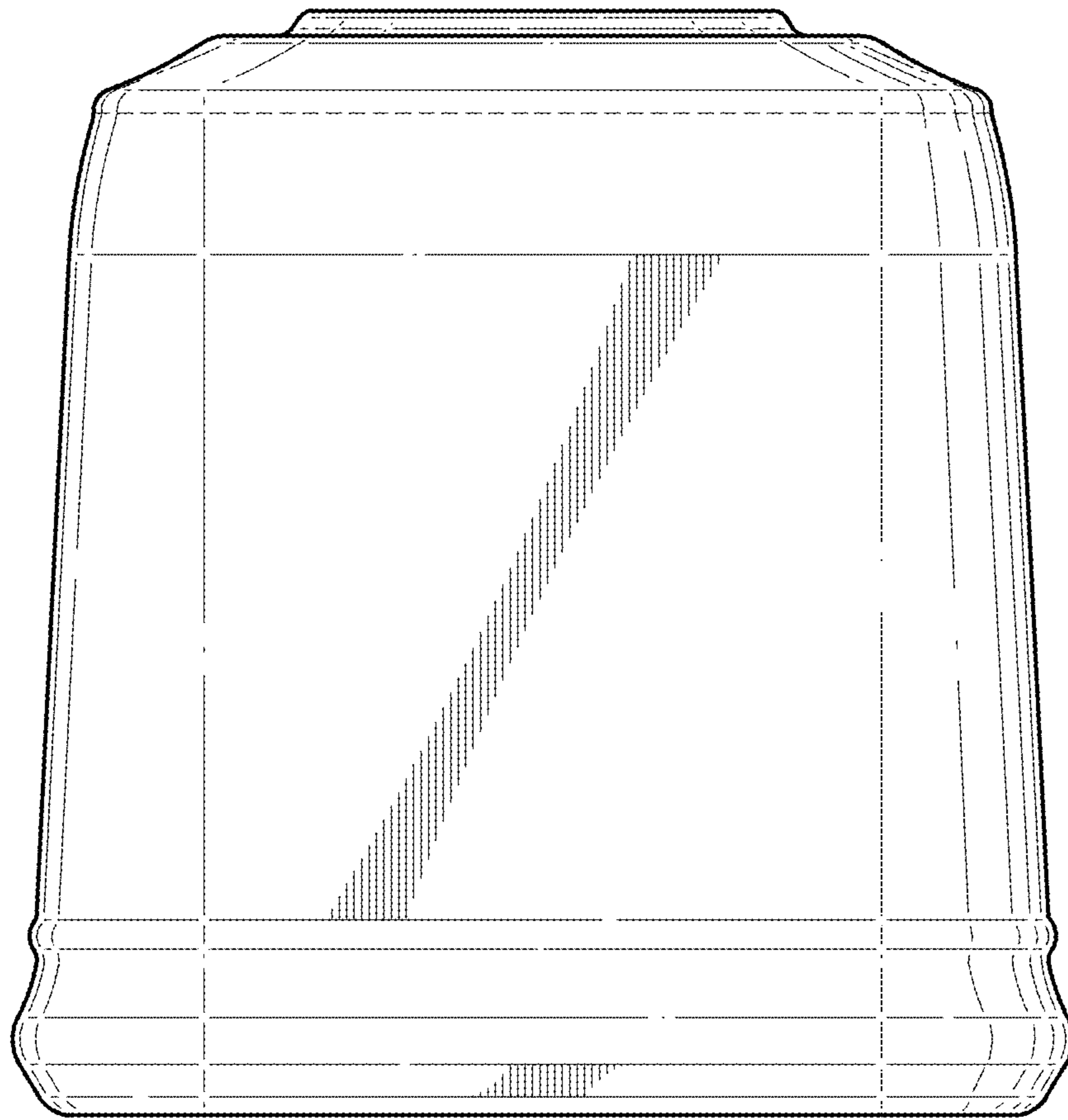


FIG. 3

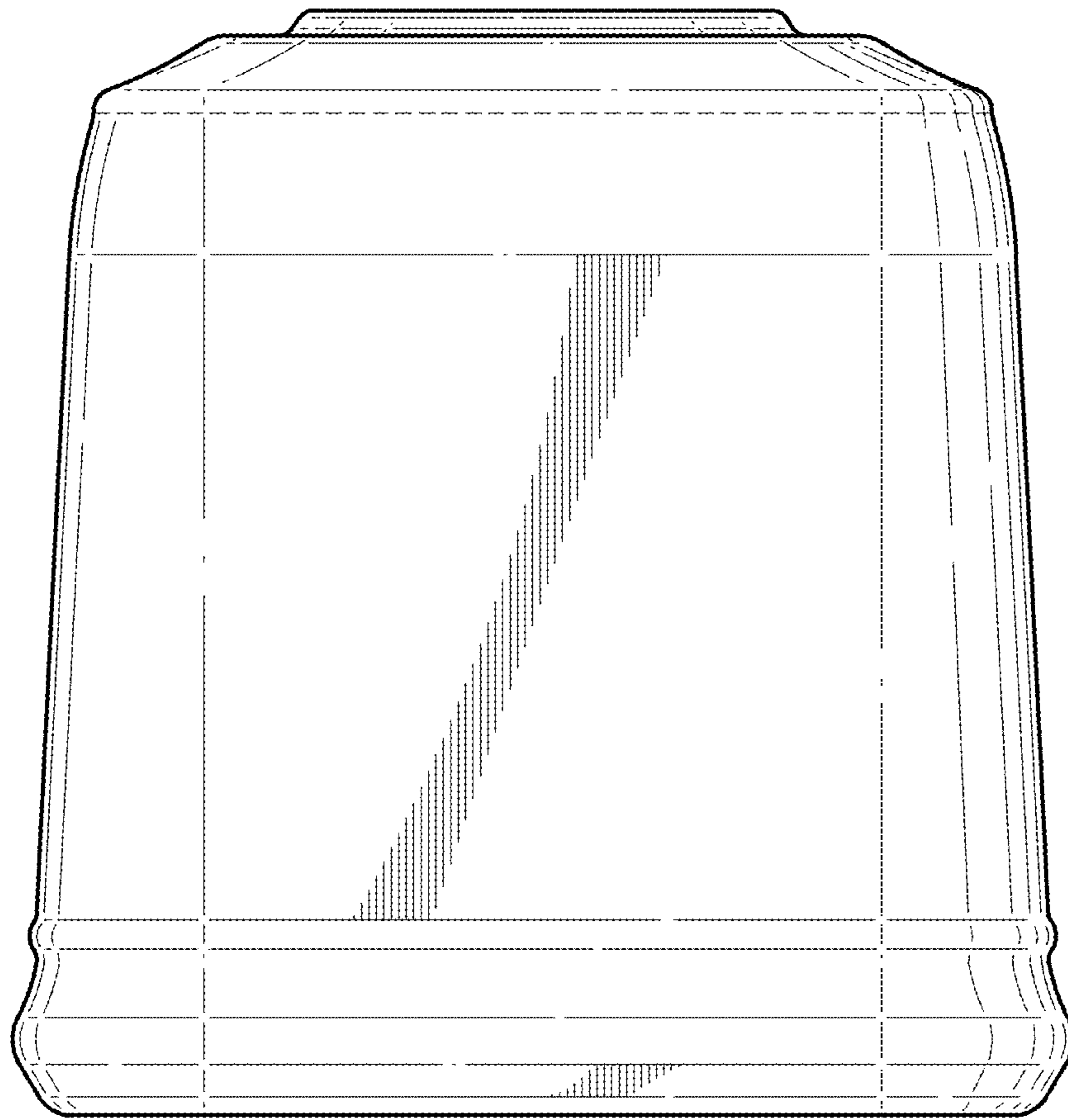


FIG. 4

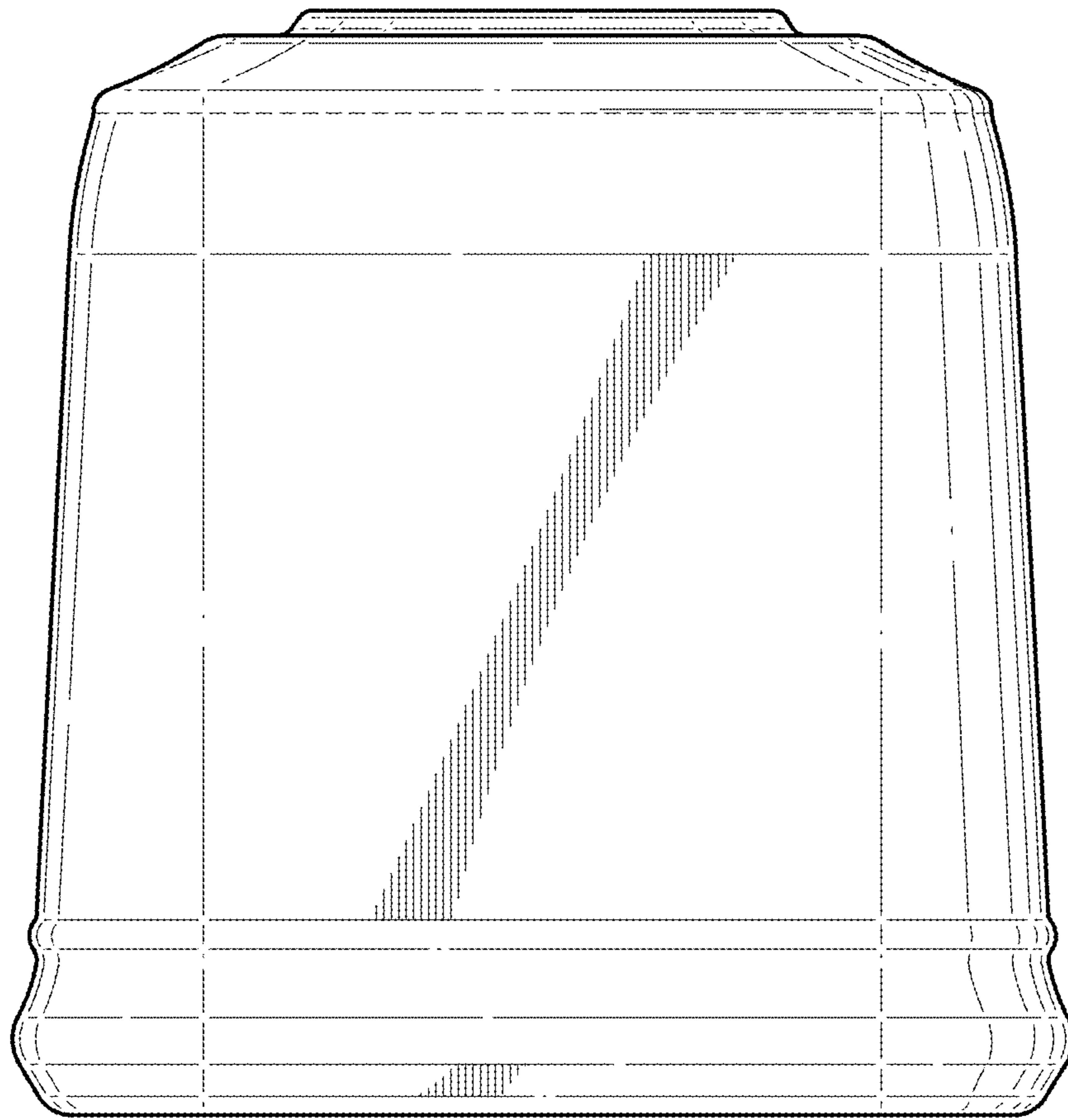


FIG. 5

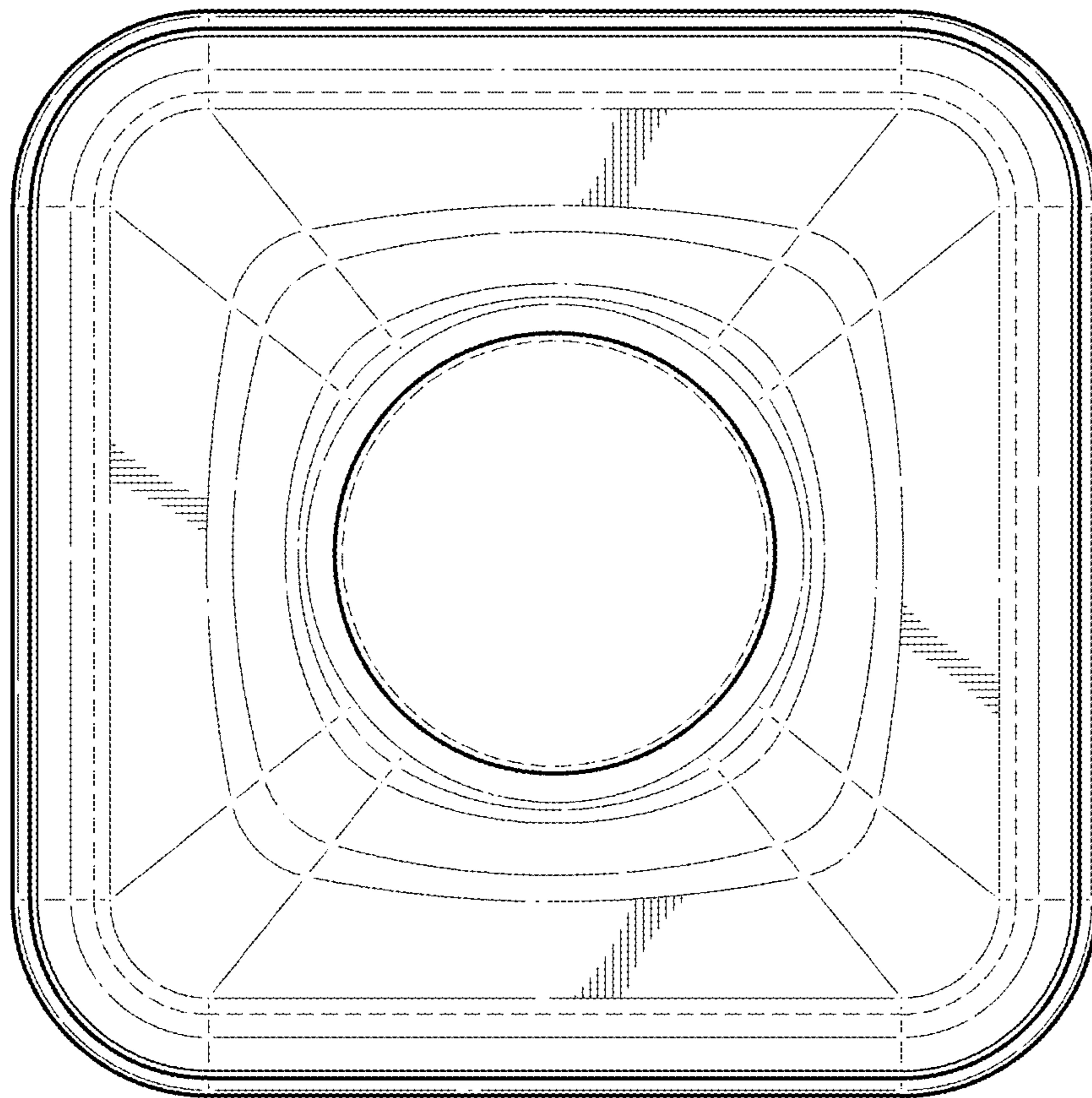


FIG. 6

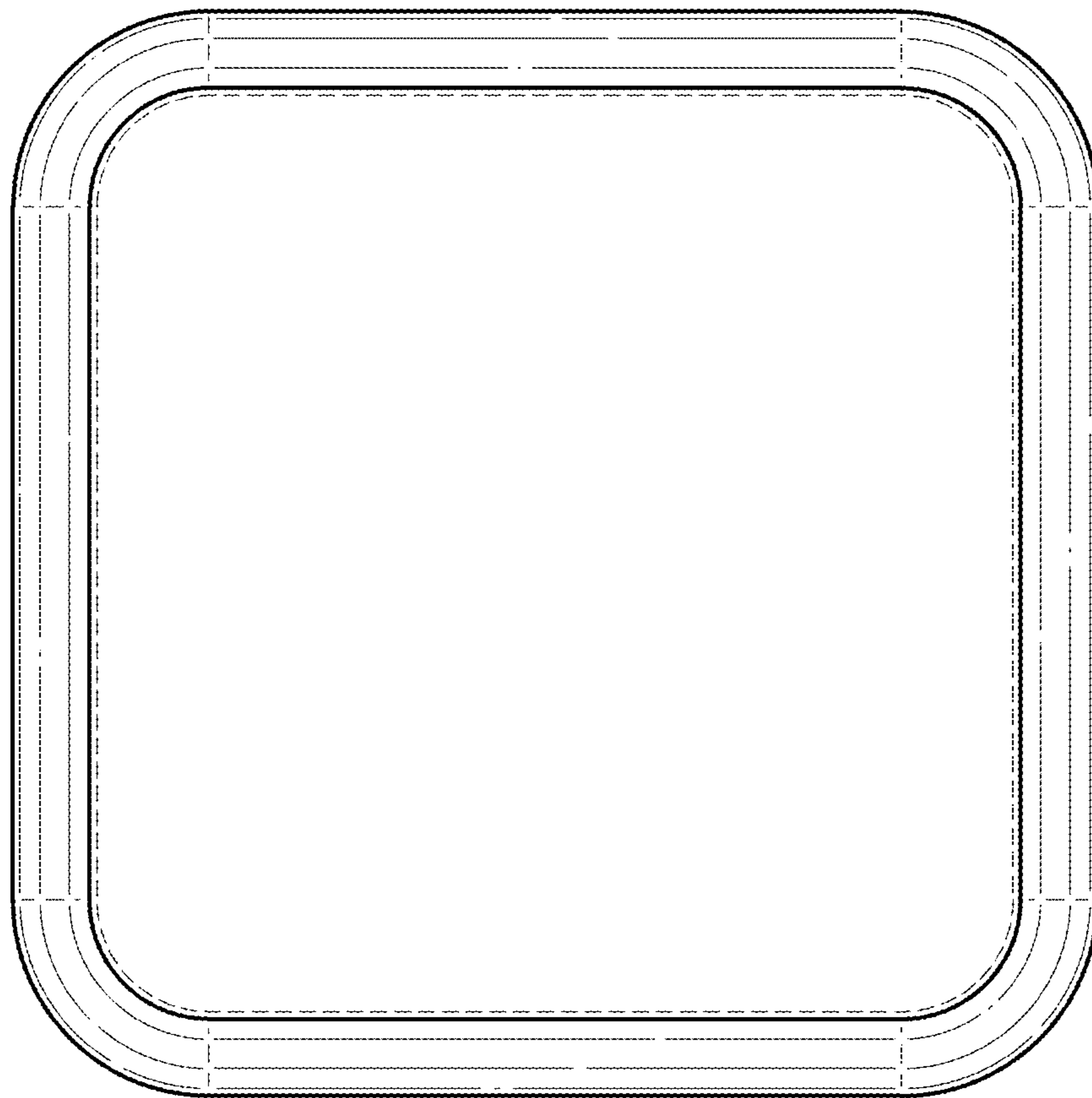


FIG. 7