



US00D929140S

(12) **United States Design Patent**  
**Petrucelli**

(10) **Patent No.:** **US D929,140 S**

(45) **Date of Patent:** **\*\* Aug. 31, 2021**

(54) **SALON CHAIR**

(71) Applicant: **P.S. Pibbs, Inc.**, Flushing, NY (US)

(72) Inventor: **Giulio Petrucelli**, Flushing, NY (US)

(73) Assignee: **P.S. PIBBS, INC.**, Flushing, NY (US)

(\*\*) Term: **15 Years**

(21) Appl. No.: **29/726,530**

(22) Filed: **Mar. 4, 2020**

(51) **LOC (13) Cl.** ..... **06-01**

(52) **U.S. Cl.**

USPC ..... **D6/364**

(58) **Field of Classification Search**

USPC ..... D6/334, 346, 349, 355, 360, 361, 362,  
D6/363, 364, 365, 366, 367, 368, 371,  
D6/372, 374, 375, 379, 380, 716.4  
CPC .... A47C 3/00; A47C 3/12; A47C 3/20; A47C  
3/32; A47C 1/00; A47C 1/022; A47C  
1/024; A47C 1/04; A47C 1/06; A47C  
7/24; A47C 7/36; A47C 7/46; A47C 7/18;  
A47C 7/40; A47C 17/02

See application file for complete search history.

(56) **References Cited**

**U.S. PATENT DOCUMENTS**

D181,215 S	*	10/1957	Lubberts et al.	.....	D6/379
D212,470 S	*	10/1968	Rutter	.....	D6/370
D234,064 S	*	1/1975	Noda et al.	.....	D6/379
D278,192 S	*	4/1985	Albanese	.....	D6/379
D311,461 S	*	10/1990	Lee	.....	D6/370
D320,894 S	*	10/1991	Pons	.....	D6/370
D399,665 S	*	10/1998	Muller	.....	D6/370

D418,321 S	*	1/2000	Regensburg	.....	D6/344
D422,423 S	*	4/2000	Lin	.....	D6/369
D434,576 S	*	12/2000	Manoukian	.....	D6/370
D481,214 S	*	10/2003	Chalmers	.....	D6/360
D844,340 S	*	4/2019	Zhao	.....	D6/370
D895,314 S	*	9/2020	Dardashti	.....	D6/370

**OTHER PUBLICATIONS**

AliExpress. <https://www.aliexpress.com/item/4000166363261.html>. "Hairdresser Chair Haircut Jobs Hair Cutting Chair". Date unknown: viewed Apr. 2021 (Year: 2021).\*

\* cited by examiner

*Primary Examiner* — R. Johnson

(74) *Attorney, Agent, or Firm* — Gerald E. Hespos;  
Michael J. Porco; Matthew T. Hespos

(57) **CLAIM**

The ornamental design for a salon chair, as shown and described.

**DESCRIPTION**

FIG. 1 is a perspective view of a salon chair in accordance with my design;

FIG. 2 is a front elevational view of the salon chair of FIG. 1;

FIG. 3 is a rear elevational view thereof;

FIG. 4 is a left side elevational view thereof;

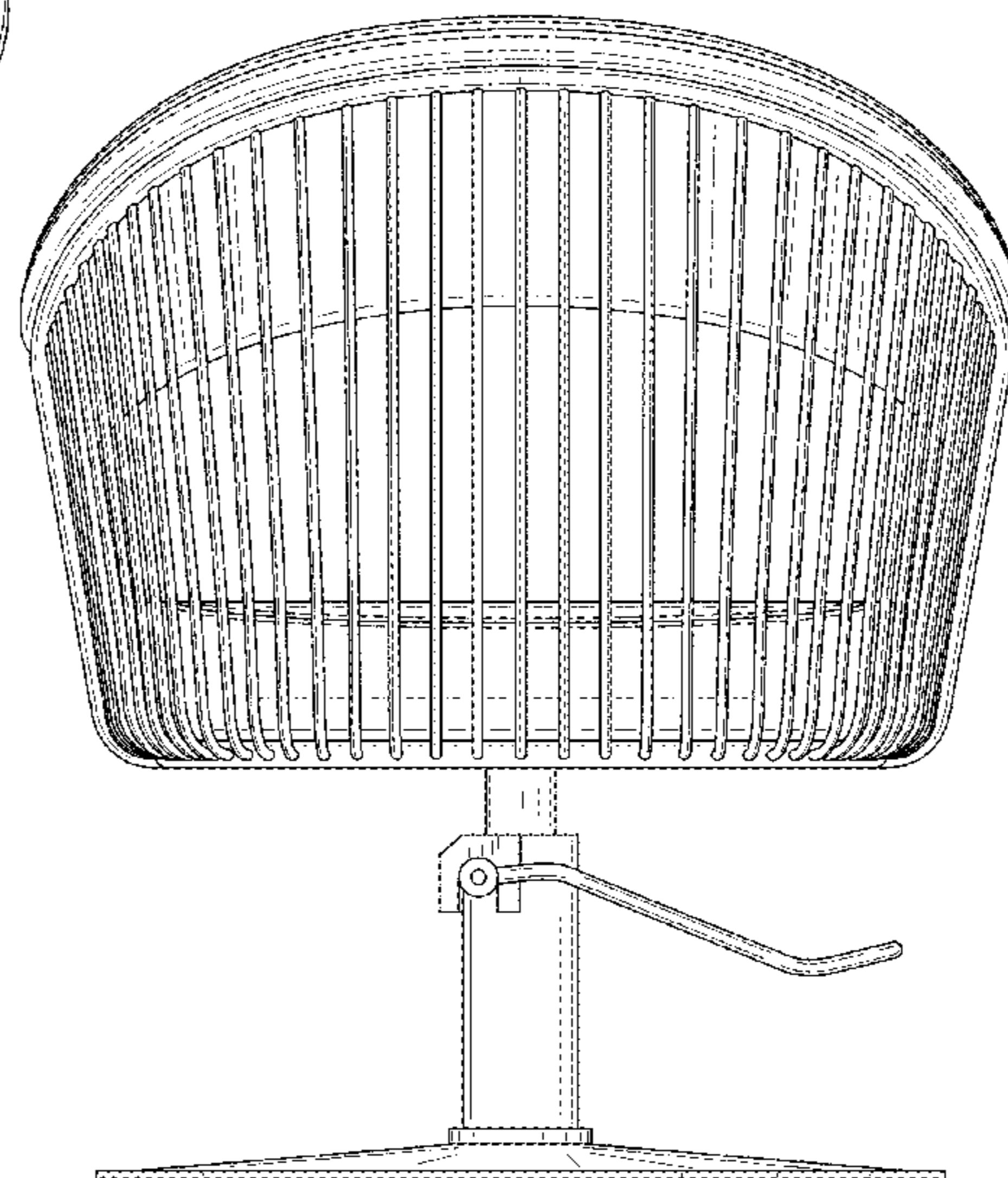
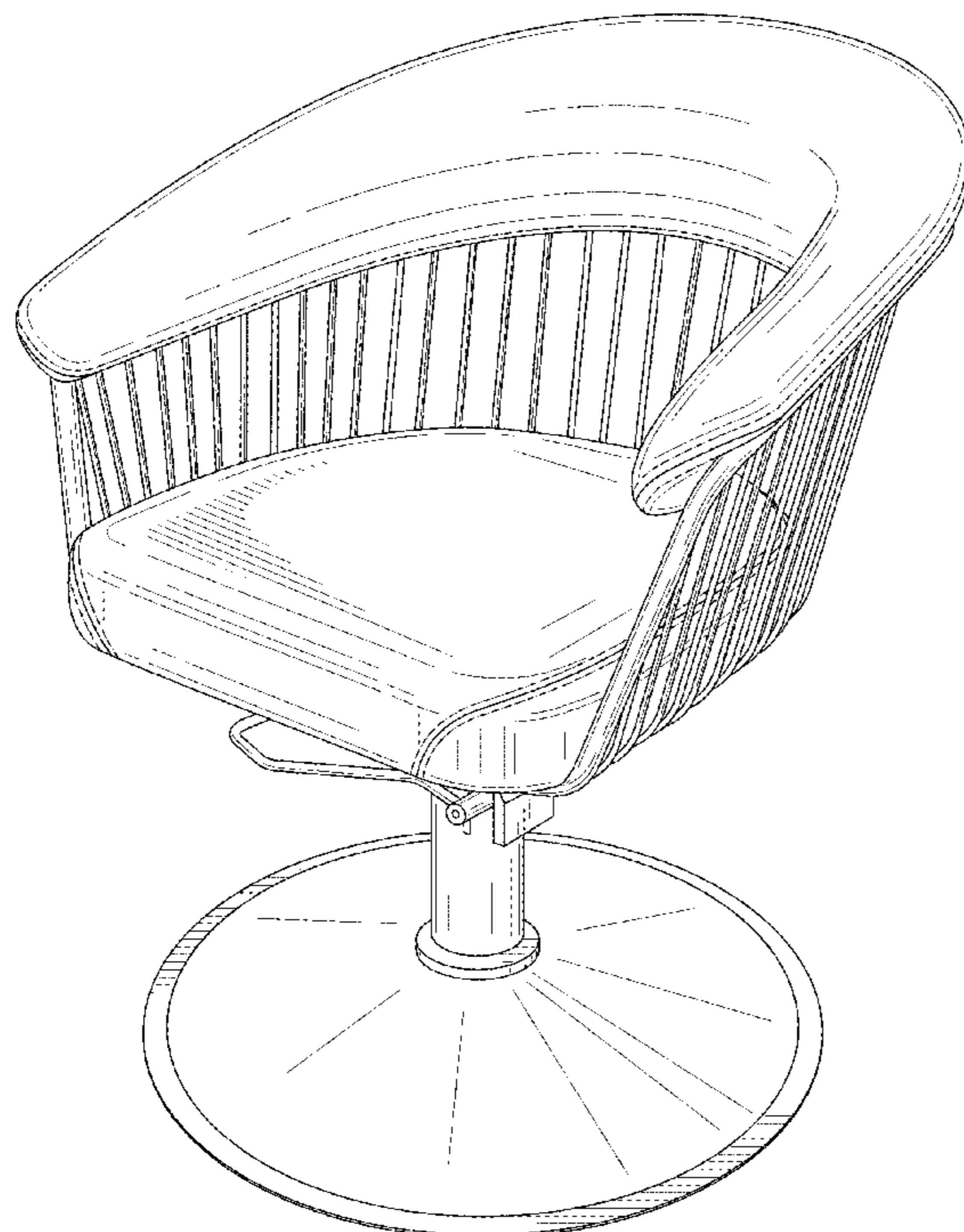
FIG. 5 is a right side elevational view thereof;

FIG. 6 is a top plan view thereof; and,

FIG. 7 is a bottom plan view thereof.

The broken lines represent the portions of the salon chair that form no part of the claimed design.

**1 Claim, 7 Drawing Sheets**



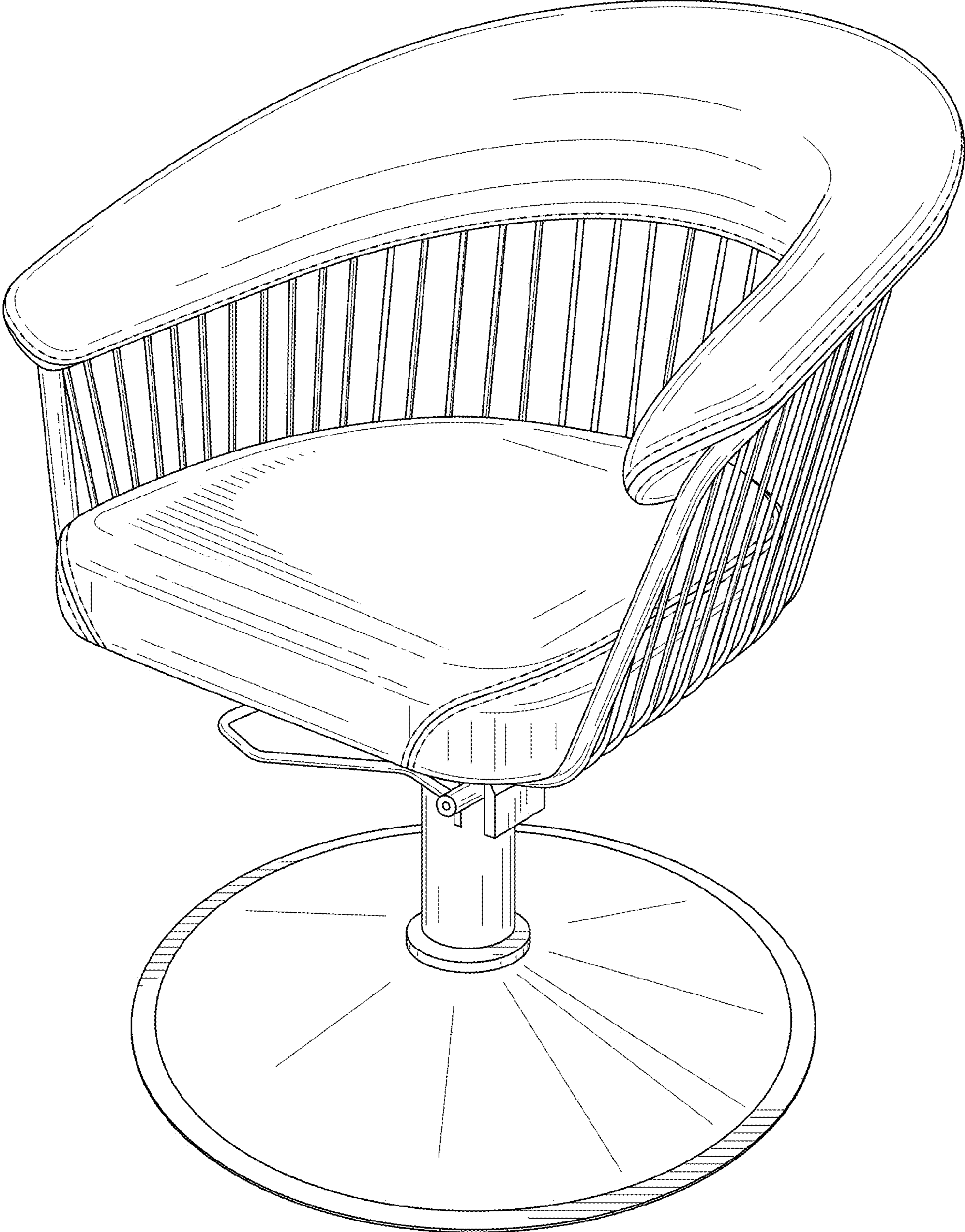


FIG. 1

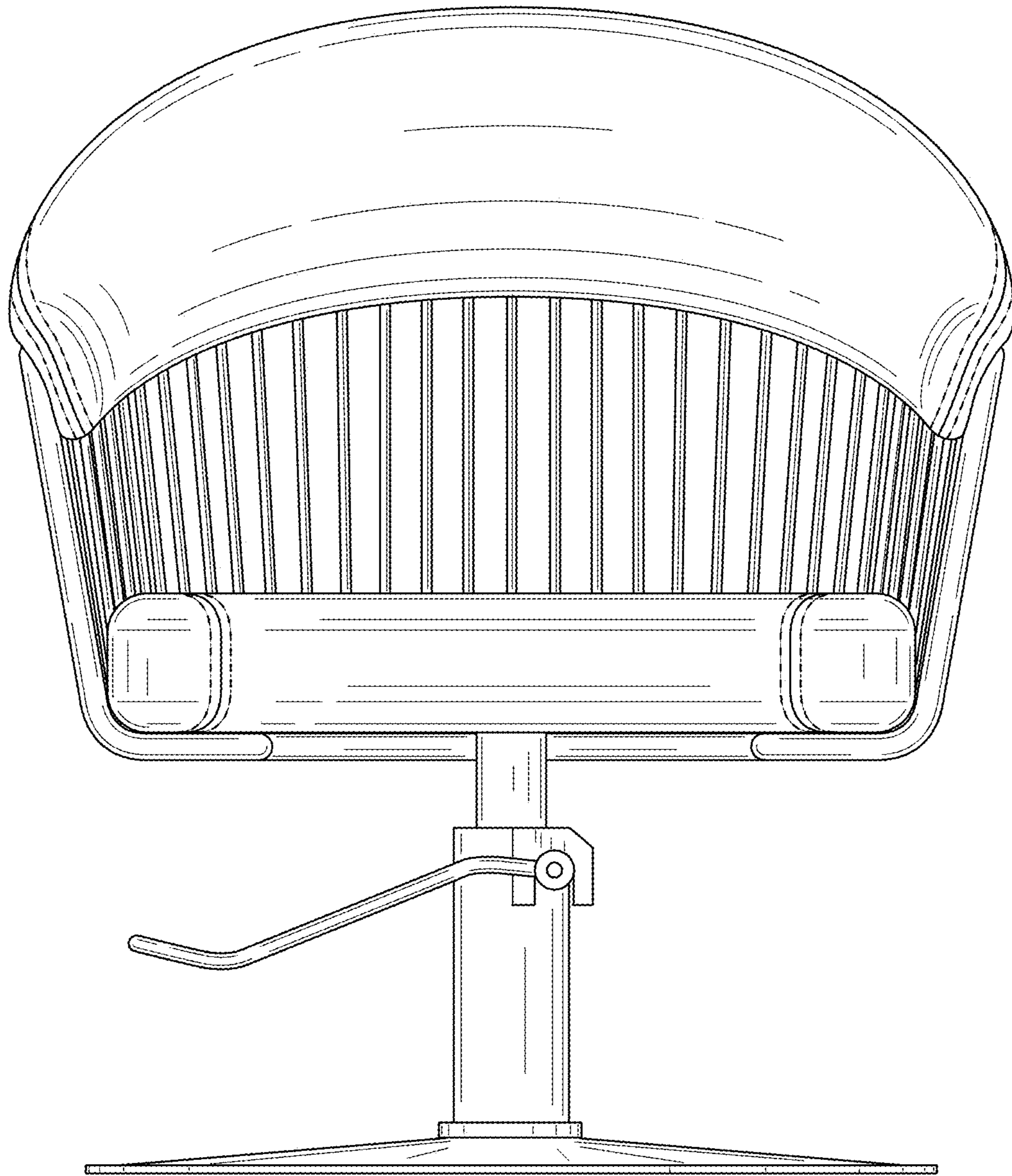


FIG. 2

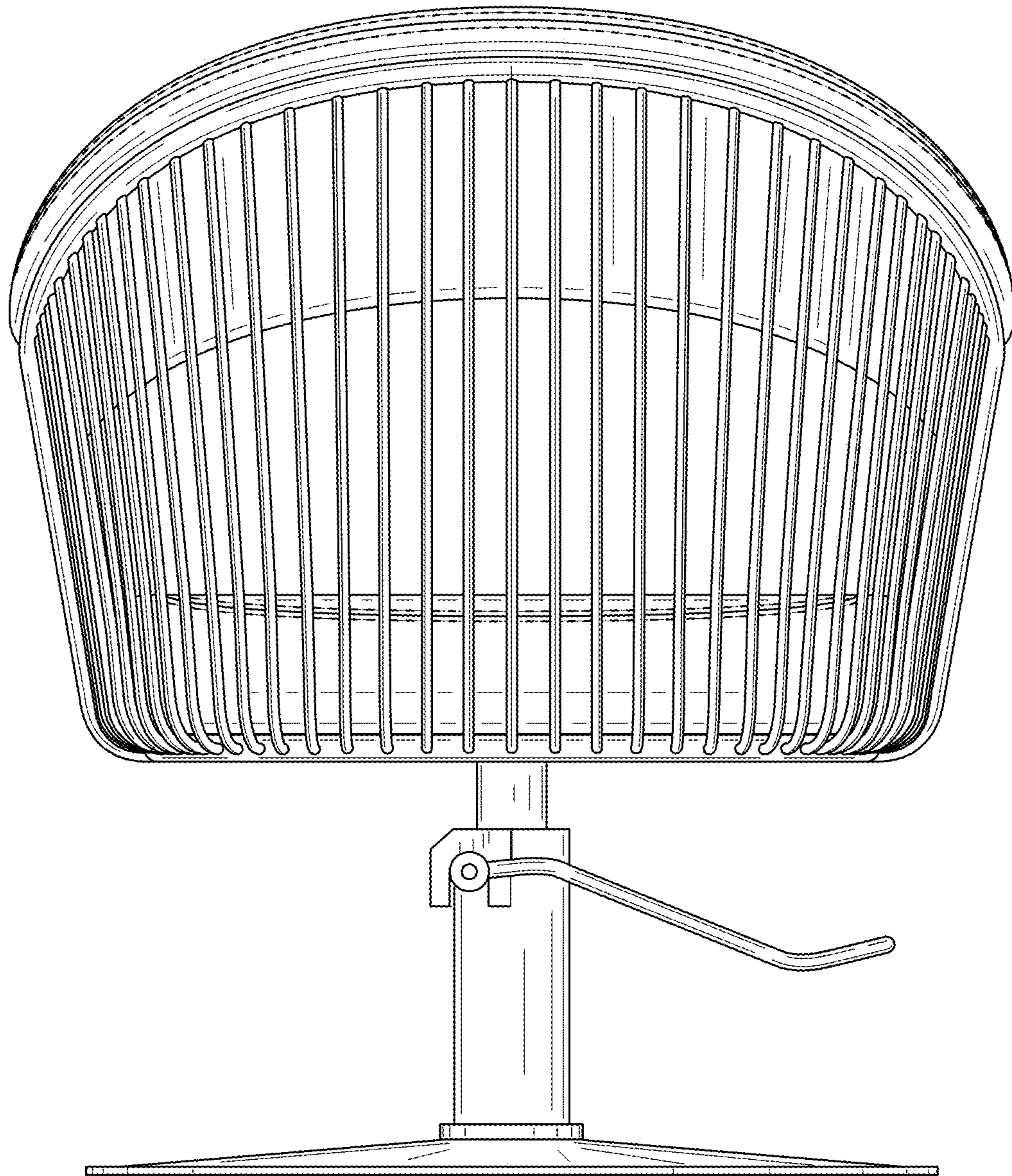


FIG. 3

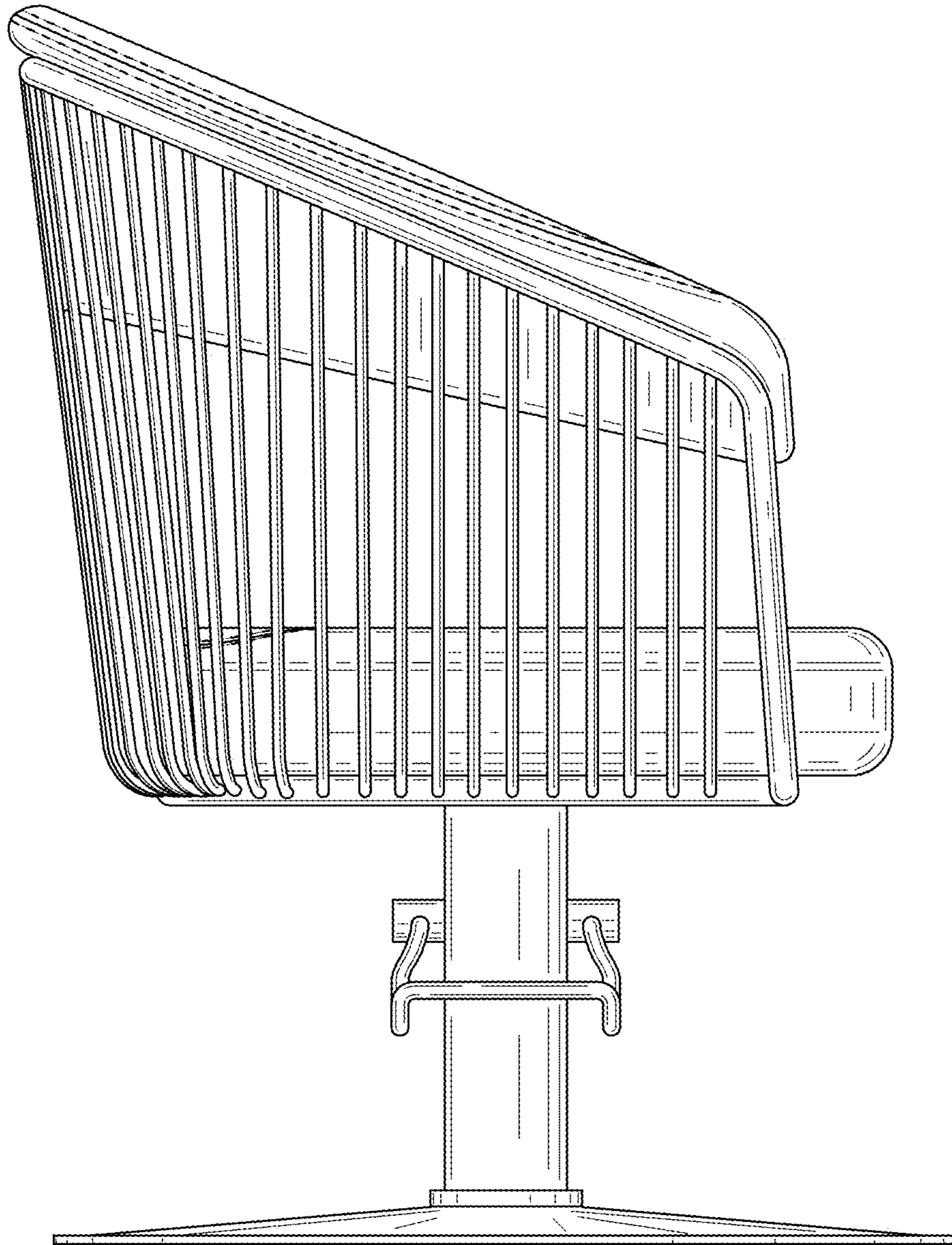


FIG. 4

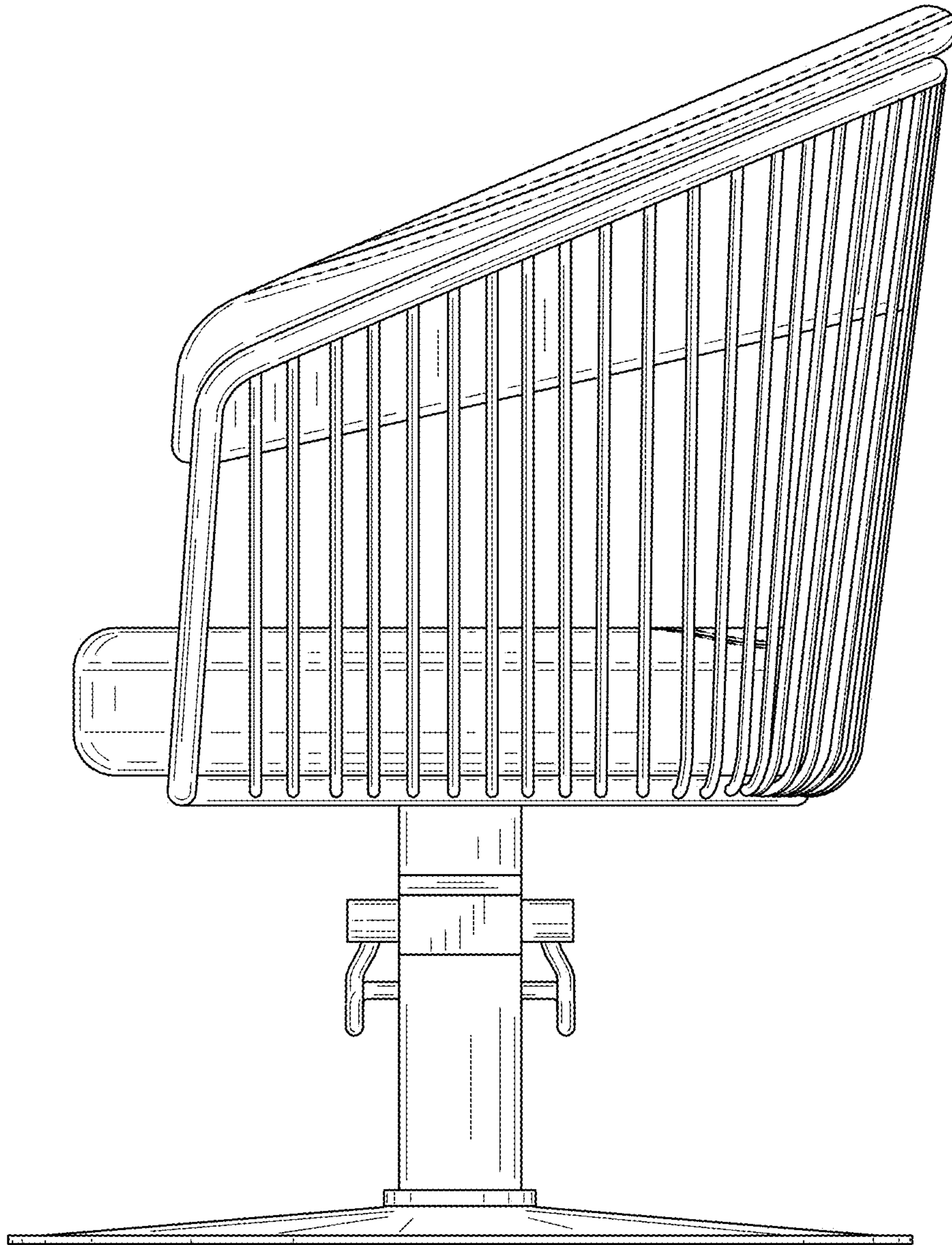


FIG. 5

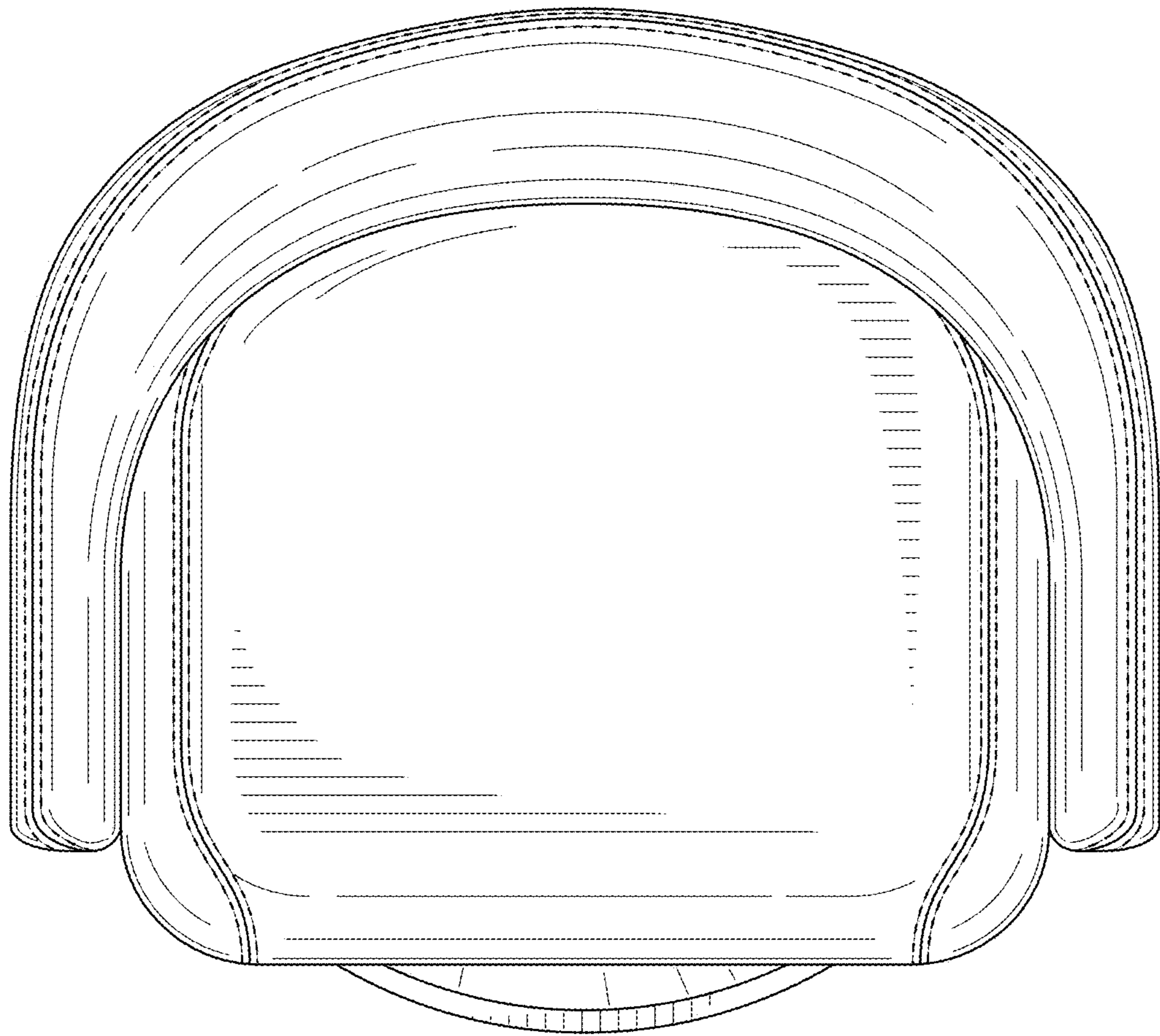


FIG. 6

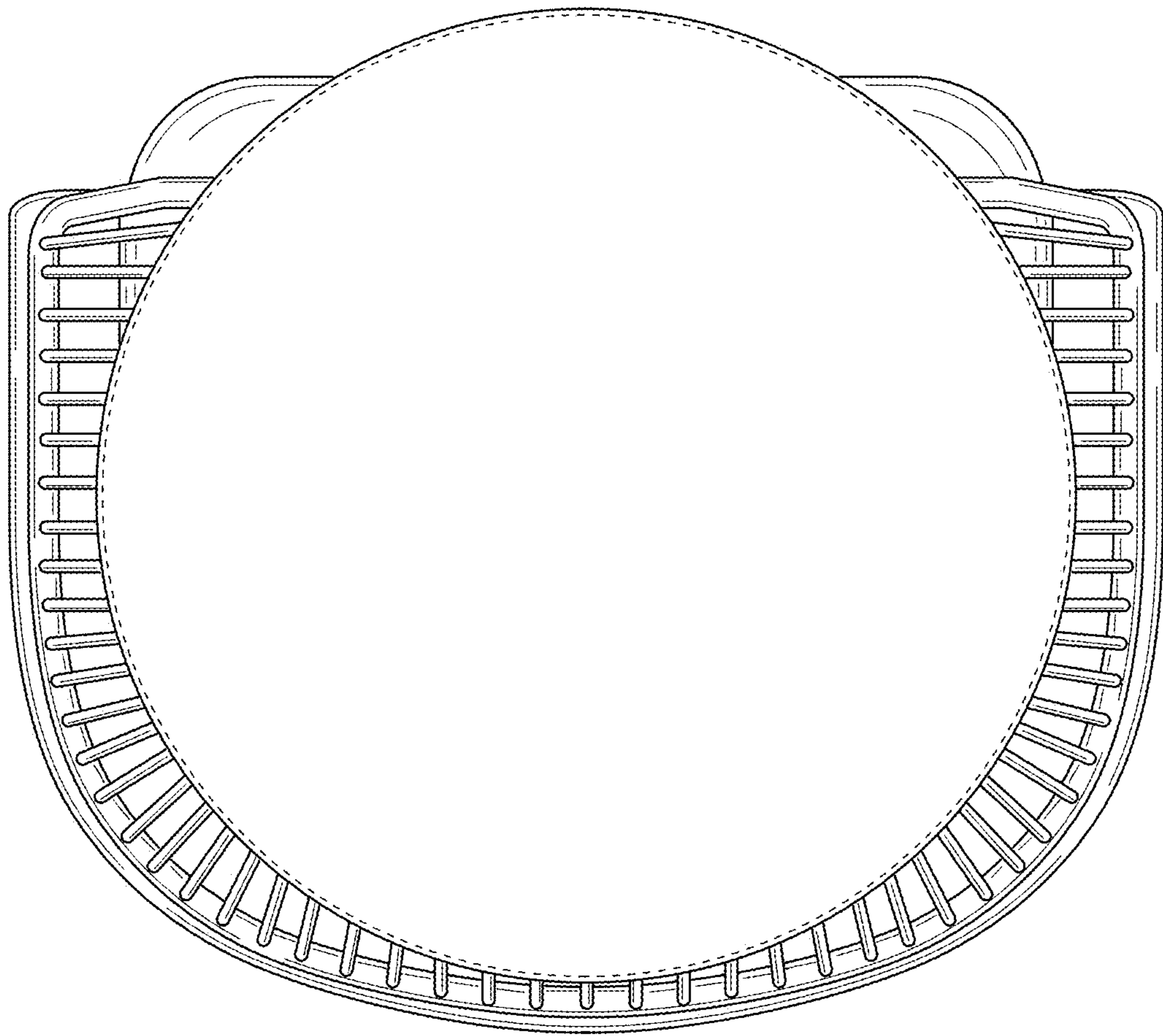


FIG. 7