



US00D929139S

(12) **United States Design Patent**  
**Edelman**

(10) **Patent No.:** **US D929,139 S**

(45) **Date of Patent:** **\*\* Aug. 31, 2021**

(54) **CHAISE LOUNGE**

(71) Applicant: **Loungera IP LLC**, New York, NY  
(US)

(72) Inventor: **Michael Edelman**, Bedford, NY (US)

(73) Assignee: **Loungera IP LLC**, New York, NY  
(US)

(\*\*) Term: **15 Years**

(21) Appl. No.: **29/699,154**

(22) Filed: **Jul. 23, 2019**

(51) **LOC (13) Cl.** ..... **06-01**

(52) **U.S. Cl.**  
USPC ..... **D6/361**

(58) **Field of Classification Search**  
USPC ..... D6/334, 361, 364, 365, 366, 367, 379,  
D6/380, 716.1, 716.2, 716.4; D12/415,  
D12/419, 421  
CPC .... A47C 3/00; A47C 3/18; A47C 3/20; A47C  
3/026; A47C 1/00; A47C 1/02; A47C  
1/022; A47C 1/03; A47C 1/14; A47C  
1/143; A47C 7/24; A47C 7/36; A47C  
7/46; A47C 7/18; A47C 7/40; A47C 7/54  
See application file for complete search history.

(56) **References Cited**

**U.S. PATENT DOCUMENTS**

D130,381 S \* 11/1941 Roth ..... D6/361  
D168,342 S \* 12/1952 Goldberg ..... D6/361

2,825,392 A \* 3/1958 Pederson ..... A47C 1/0265  
297/359  
D287,552 S \* 1/1987 Vanderminden ..... D6/361  
D379,722 S \* 6/1997 Good ..... D6/361  
D404,582 S \* 1/1999 Robertson, Jr. .... D6/361  
D414,616 S \* 10/1999 Walters ..... D6/361  
D427,443 S \* 7/2000 Hand ..... D6/361  
D429,908 S \* 8/2000 King ..... D6/358  
D478,138 S \* 8/2003 Juliusson ..... 21/690  
D513,368 S \* 1/2006 Nardi ..... D6/361  
D793,109 S \* 8/2017 Kaczmarek ..... D6/361  
D810,454 S \* 2/2018 Westfall ..... D6/361

\* cited by examiner

*Primary Examiner* — R. Johnson

(74) *Attorney, Agent, or Firm* — Foley & Lardner LLP

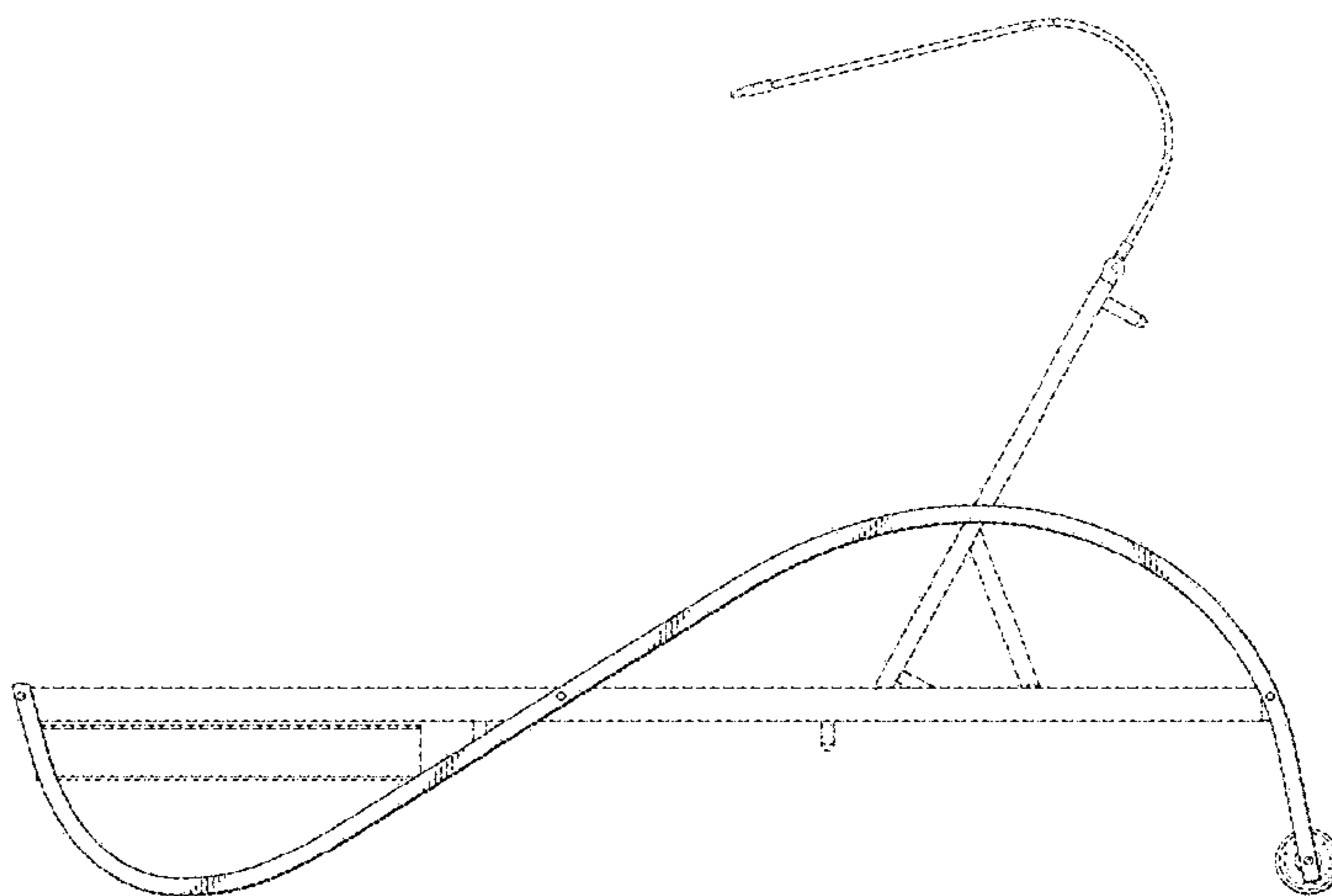
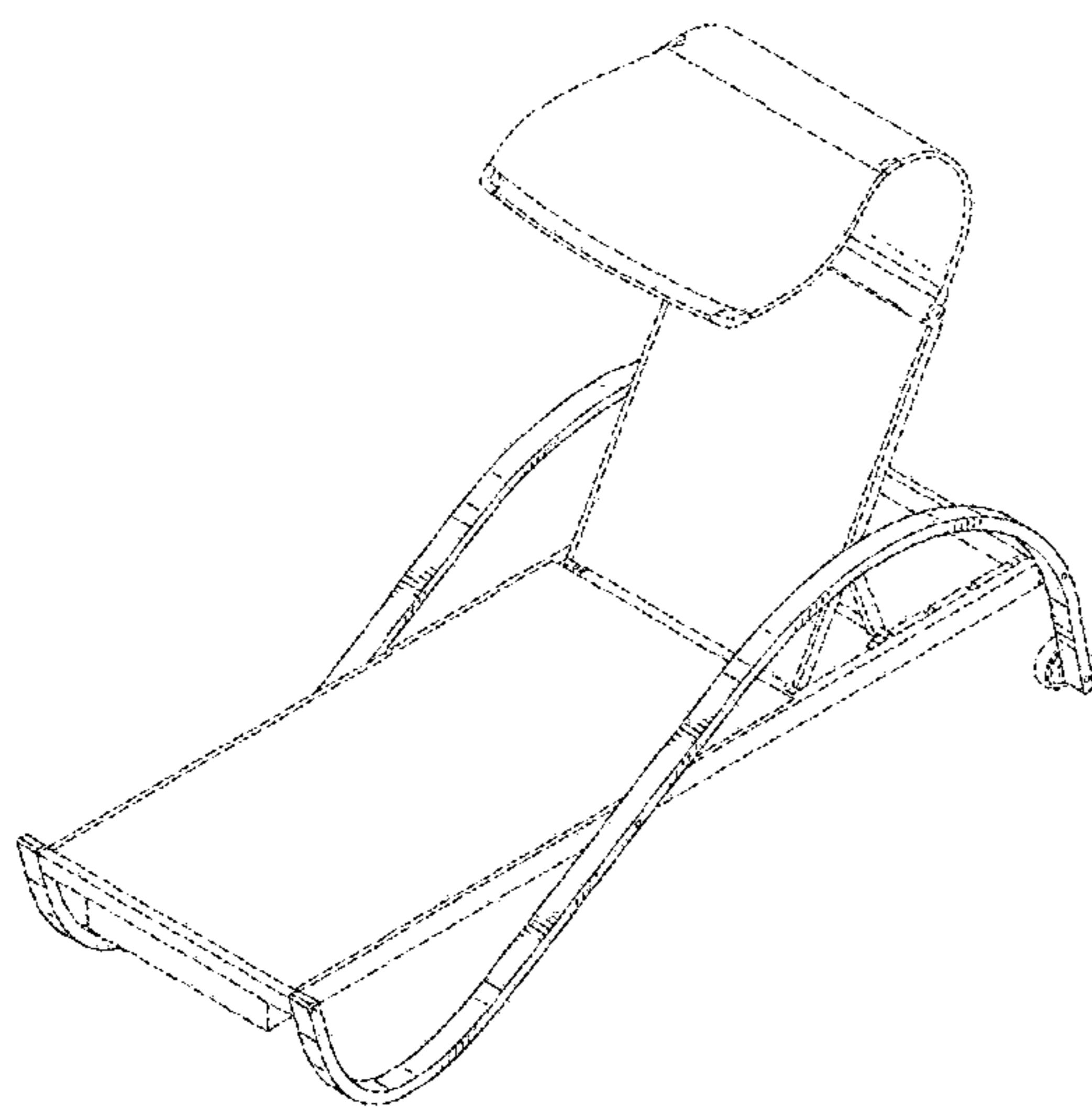
(57) **CLAIM**

An ornamental design for a chaise lounge, as shown and described.

**DESCRIPTION**

FIG. 1 is a front perspective view of a chaise lounge showing my new design;  
FIG. 2 is a front elevation view thereof;  
FIG. 3 is a rear elevation view thereof;  
FIG. 4 is a right-side elevation view thereof;  
FIG. 5 is a left-side elevation view thereof;  
FIG. 6 is a top view thereof; and,  
FIG. 7 is a bottom view thereof.  
The broken lines shown in the drawings represent unclaimed subject matter that form no part of the claimed design.

**1 Claim, 6 Drawing Sheets**



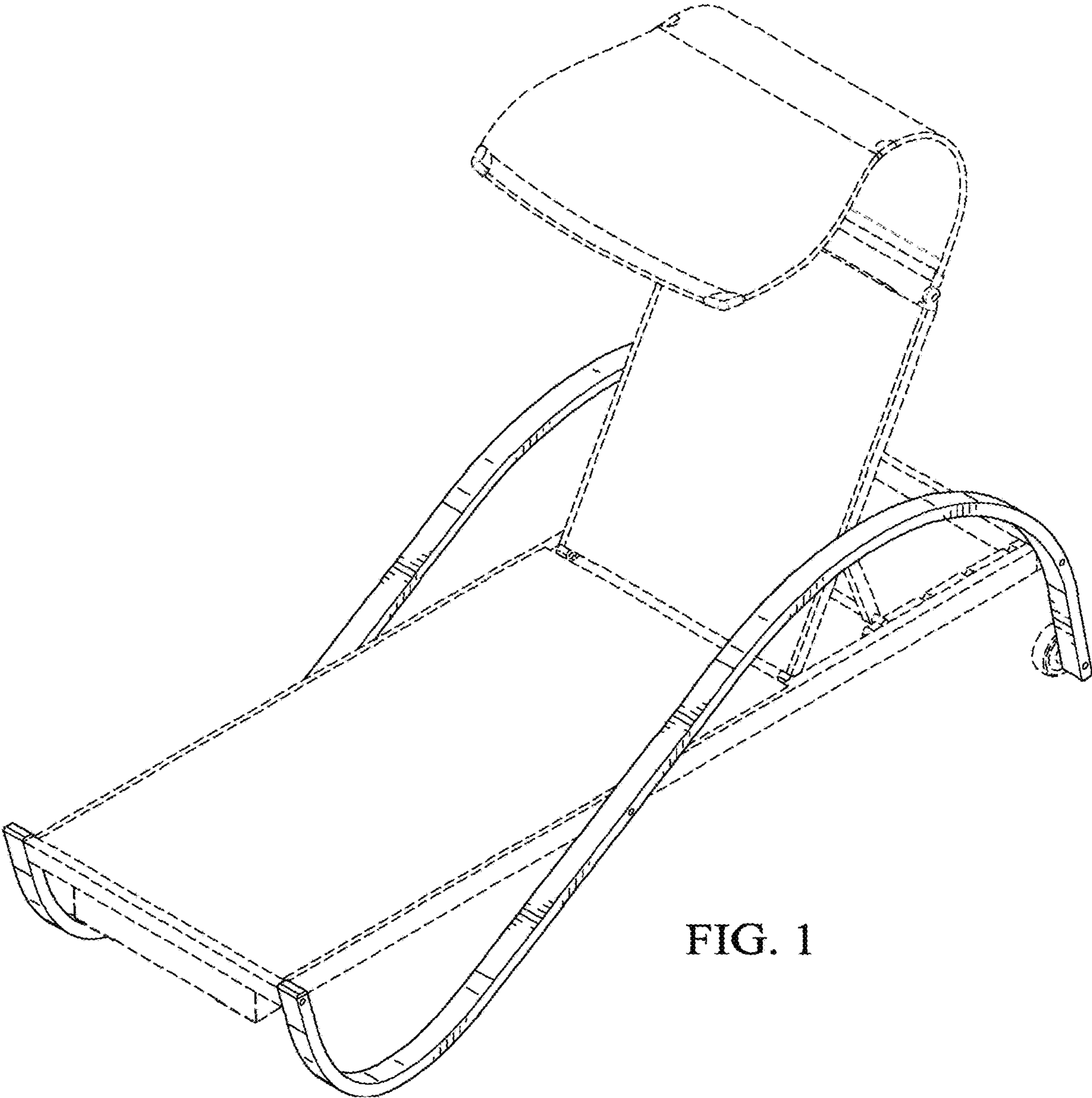


FIG. 1

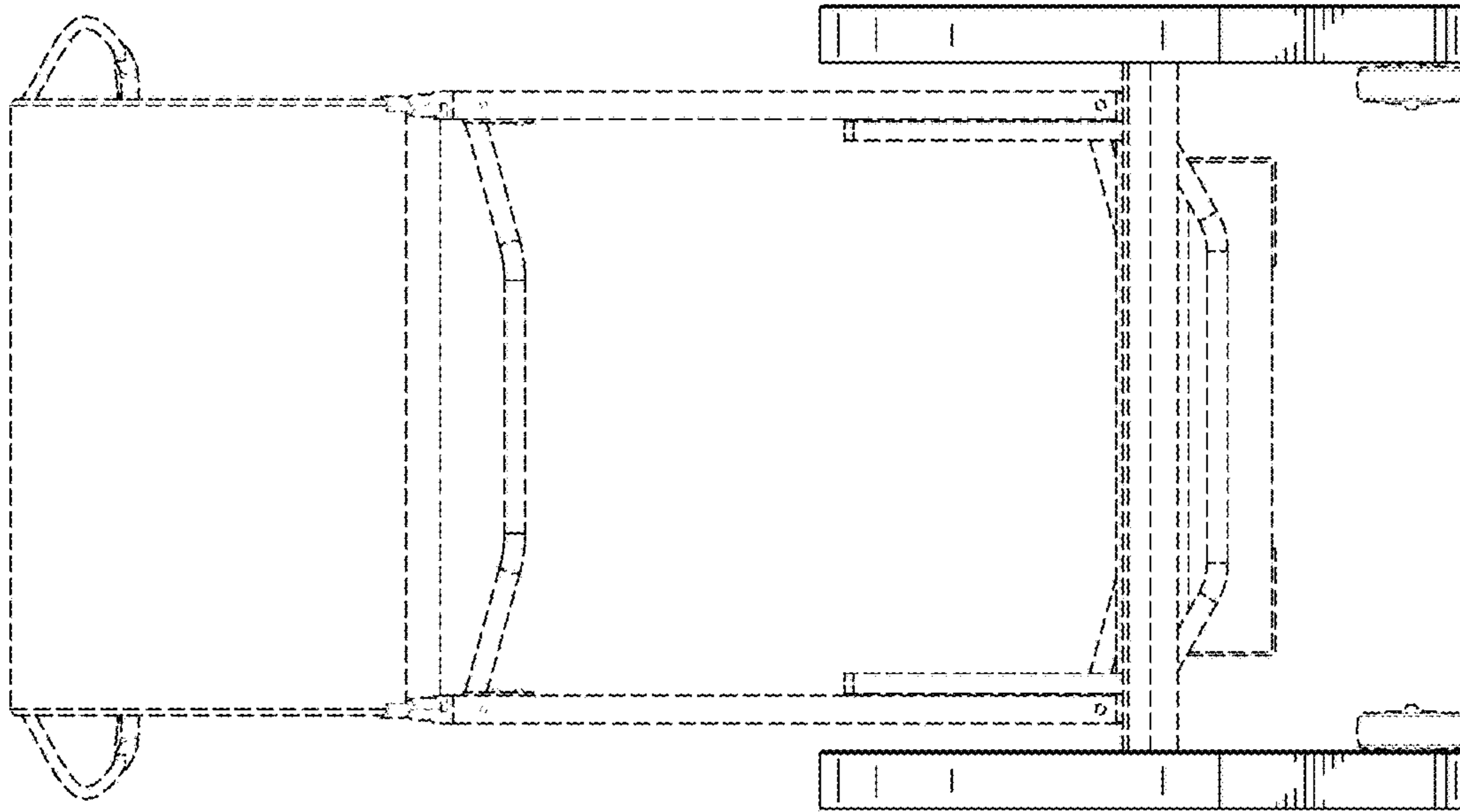


FIG. 3

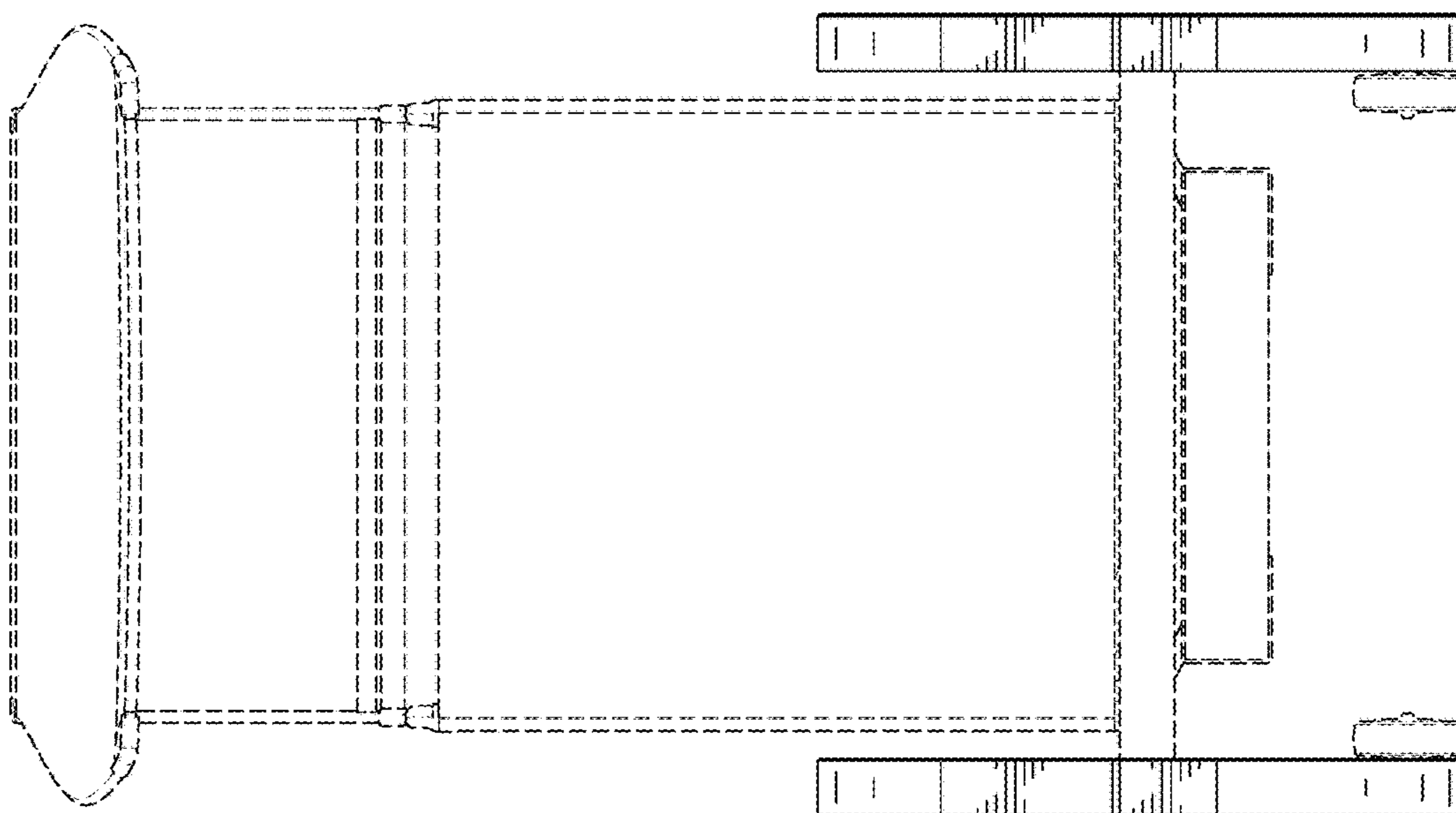


FIG. 2

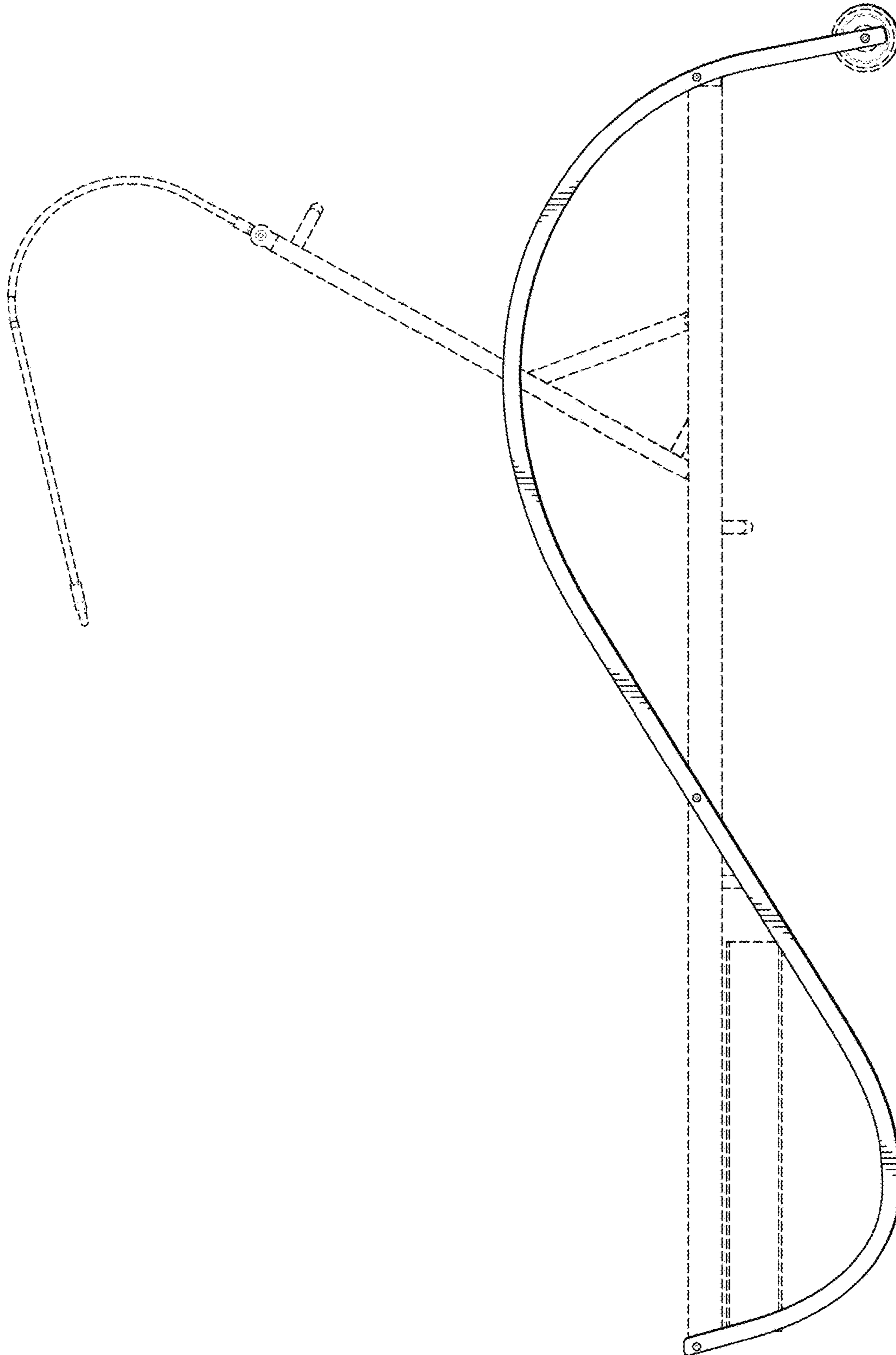


FIG. 4

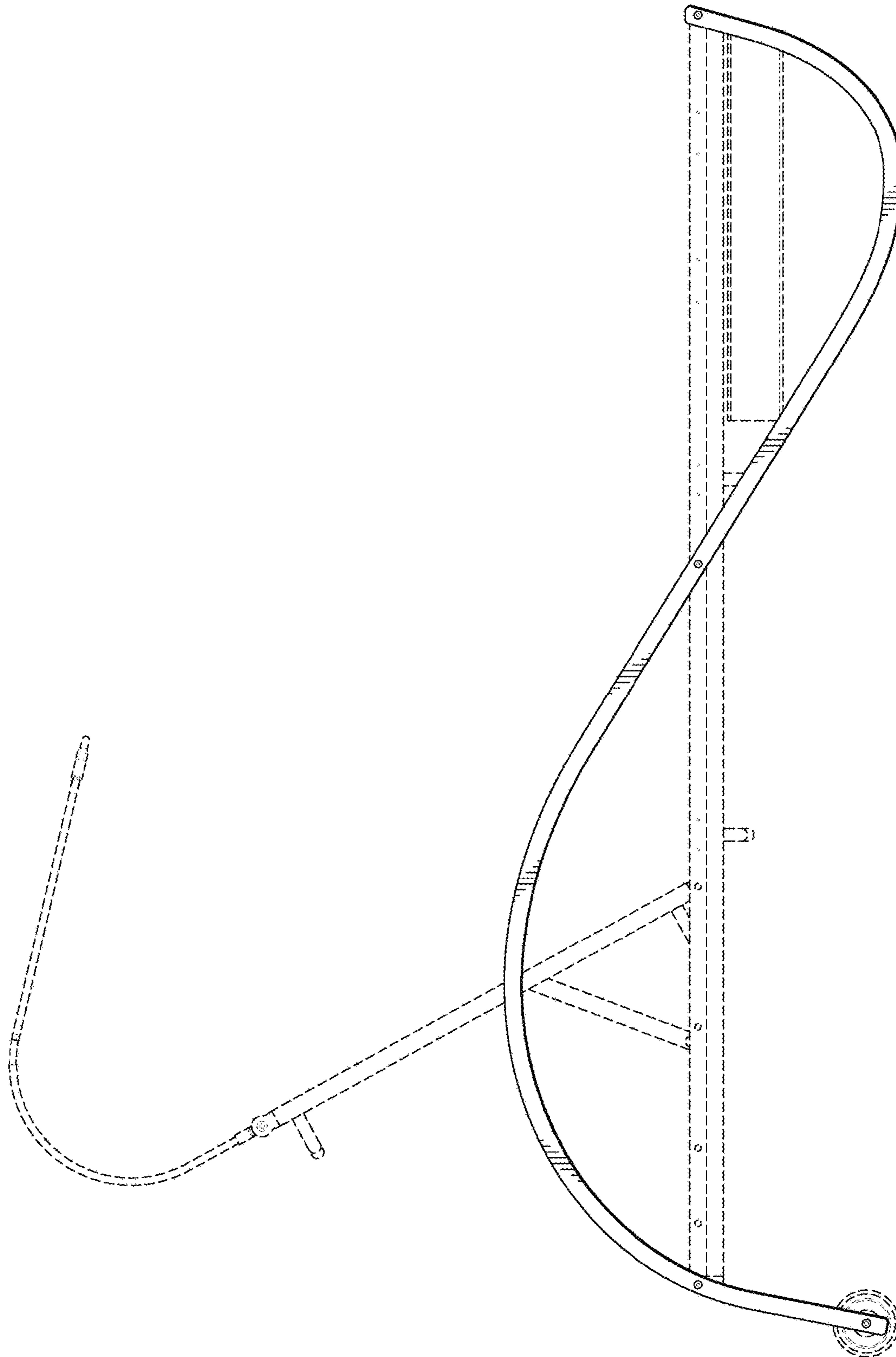


FIG. 5

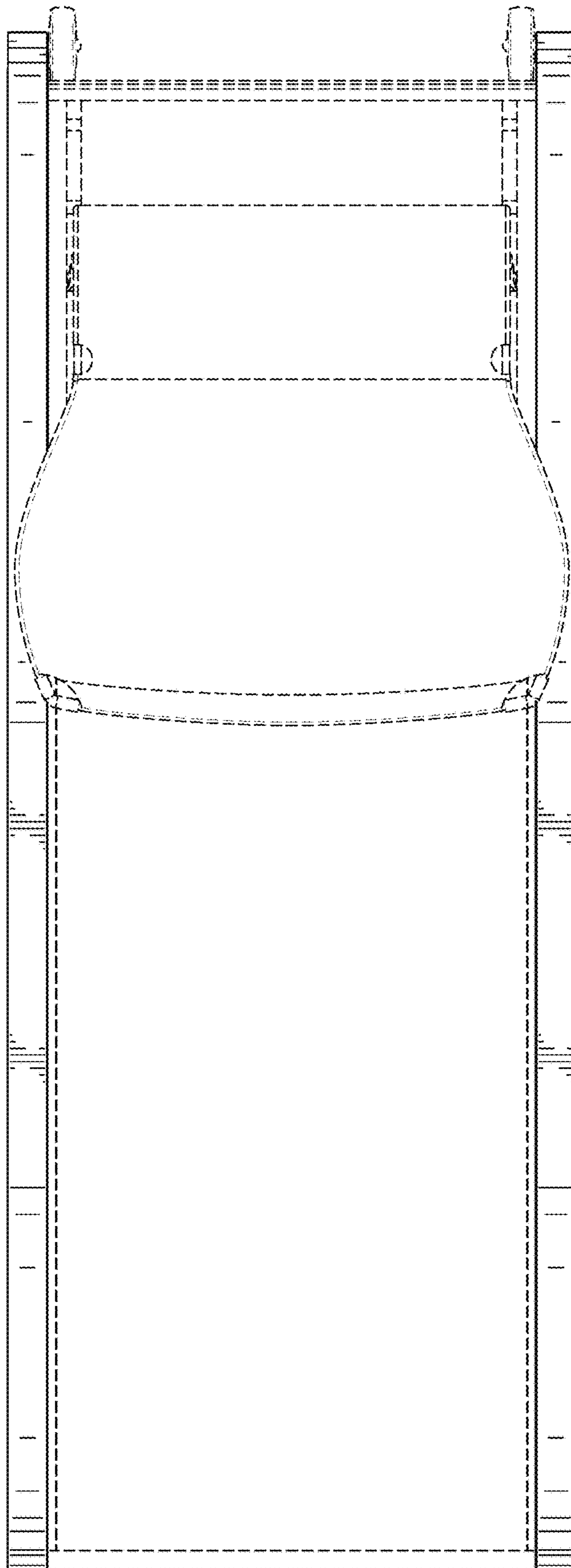


FIG. 6

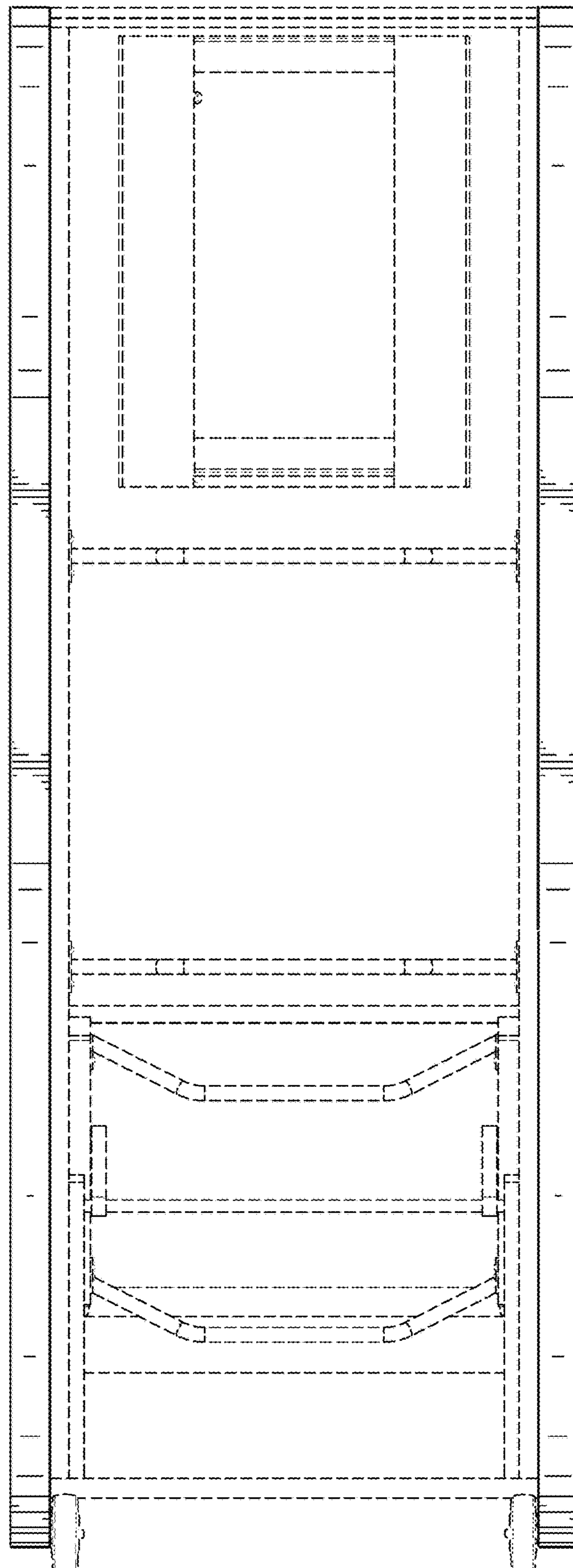


FIG. 7