



US00D929137S

(12) **United States Design Patent** (10) **Patent No.:** **US D929,137 S**
Shen (45) **Date of Patent:** **** Aug. 31, 2021**

(54) **HANGING CHAIR**
(71) Applicant: **LINHAI SUNRISE LEISURE PRODUCTS CO., LTD.**, Linhai (CN)
(72) Inventor: **Huaqiang Shen**, Linhai (CN)
(**) Term: **15 Years**
(21) Appl. No.: **29/690,832**
(22) Filed: **May 10, 2019**
(51) **LOC (13) Cl.** **06-01**
(52) **U.S. Cl.**
USPC **D6/347**
(58) **Field of Classification Search**
USPC D6/334, 341, 342, 347, 360, 364, 365, D6/386, 387, 389, 643, 650, 677, 716, D6/718.1, 718.11, 344, 359, 368, 369, D6/708.16; D21/521, 797, 707, 713, 781; D23/292; D12/52, 322; D30/124, 128
CPC A47C 3/02; A47C 3/12; A47C 3/18; A47C 3/26; A47C 3/0255; A47C 4/24; A47C 5/02; A47C 7/443; A47C 4/02; A47C 4/18; A47C 4/30; A47C 4/42; A47C 4/286; A47C 5/04; A47D 9/00; A47D 13/02; A47D 13/10; A47D 13/105; A63G 9/00; A63G 9/02; A63G 1/20; A63G 9/04; A63G 9/14; A63G 9/12; A45F 3/22; A45F 3/24; A45F 3/26; F21S 4/15; F21S 4/20; F21S 4/28; F21S 6/00; F21S 8/063; F21V 17/007; F21V 17/02; F21V 3/02; F21V 21/14; F21V 21/08; E04H 4/108; E04H 15/38; E04H 15/28; E04B 1/3441; B44C 5/00; A63B 69/0091; A63B 19/04; A61G 15/005

See application file for complete search history.

(56) **References Cited**
U.S. PATENT DOCUMENTS

3,164,382 A * 1/1965 Johnson A63B 19/04 472/17
3,186,711 A * 6/1965 Morrow A63B 69/0091 472/118

3,213,868 A * 10/1965 Forbes E04H 15/28 135/98
D230,109 S * 1/1974 Gass D6/708.16
4,047,752 A * 9/1977 Rohr A47C 4/286 297/19
D254,829 S * 4/1980 Gass D6/347
D265,611 S * 8/1982 Knudson D6/347
5,004,001 A * 4/1991 Bouchard E04H 4/108 135/133
5,695,253 A * 12/1997 Jenkins A47C 3/12 297/258.1
6,474,843 B2 * 11/2002 Shieh B44C 5/00 362/227
D705,499 S * 5/2014 Zamarripa D30/124
8,764,234 B1 * 7/2014 Acree F21S 4/15 362/249.01
D720,148 S * 12/2014 Urquiola D6/369
D773,221 S * 12/2016 Lee D6/708.16
9,554,653 B2 * 1/2017 Lee A47C 4/42
D778,656 S * 2/2017 Lee D6/708.16

(Continued)

Primary Examiner — Kevin K Rudzinski
Assistant Examiner — Paul D Bohannon

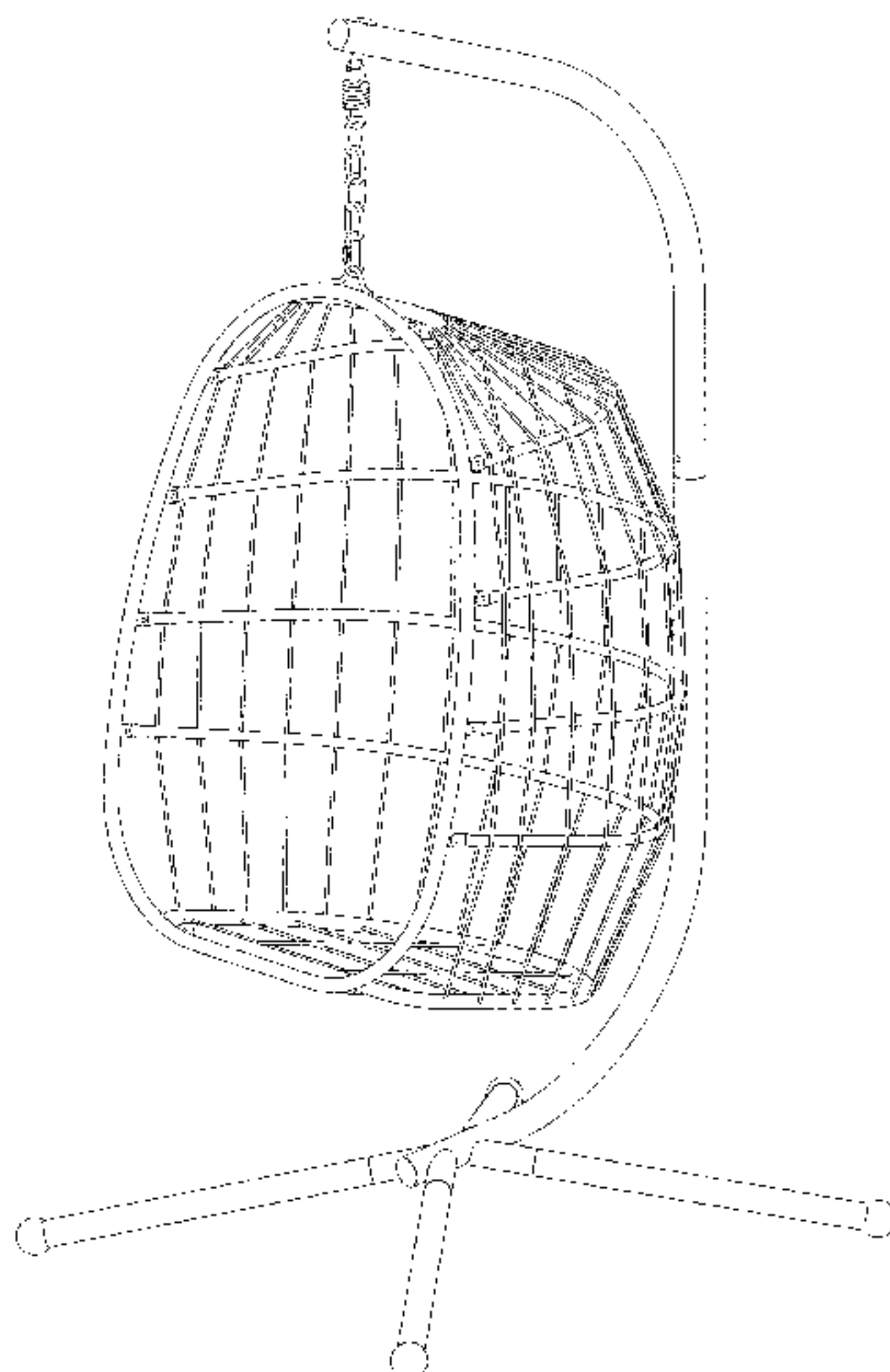
(57) **CLAIM**

The ornamental design for a hanging chair, as shown and described.

DESCRIPTION

FIG. 1 is a Front elevational view of a hanging chair showing my new design;
FIG. 2 is a Rear elevational view thereof;
FIG. 3 is a Left side view thereof;
FIG. 4 is a Right side view thereof;
FIG. 5 is a Top plan view thereof;
FIG. 6 is a Bottom plan view thereof; and,
FIG. 7 is a Perspective view thereof.

1 Claim, 7 Drawing Sheets



(56)

References Cited

U.S. PATENT DOCUMENTS

9,890,554	B2 *	2/2018	Duncan, III	E04H 15/04
10,631,647	B1 *	4/2020	Wu	A47C 3/0255
2012/0175928	A1 *	7/2012	Eber	A47C 3/0255
					297/311
2018/0310697	A1 *	11/2018	Wehner	A45F 3/26
2020/0128963	A1 *	4/2020	Wu	A47C 4/18

* cited by examiner

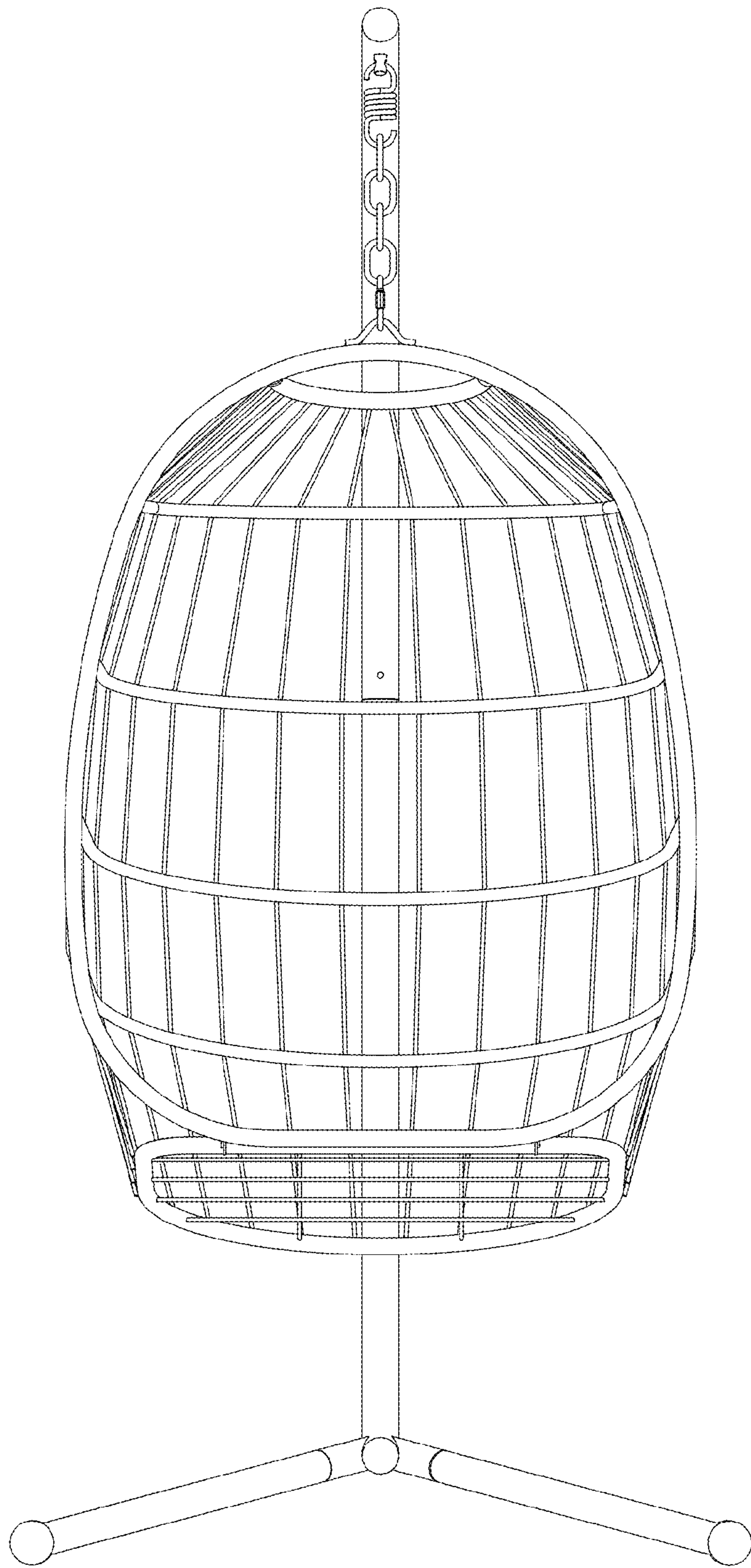


FIG. 1

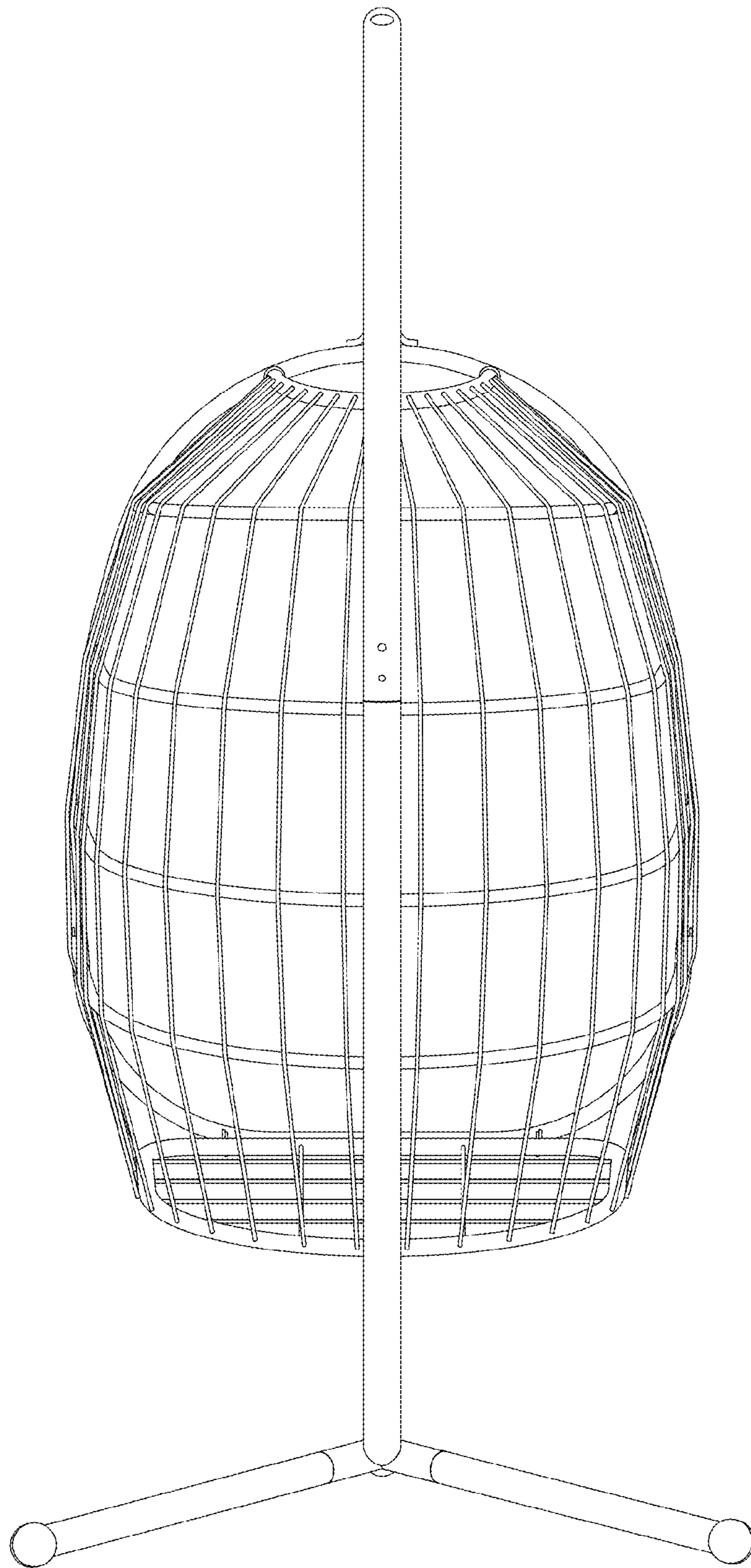


FIG. 2

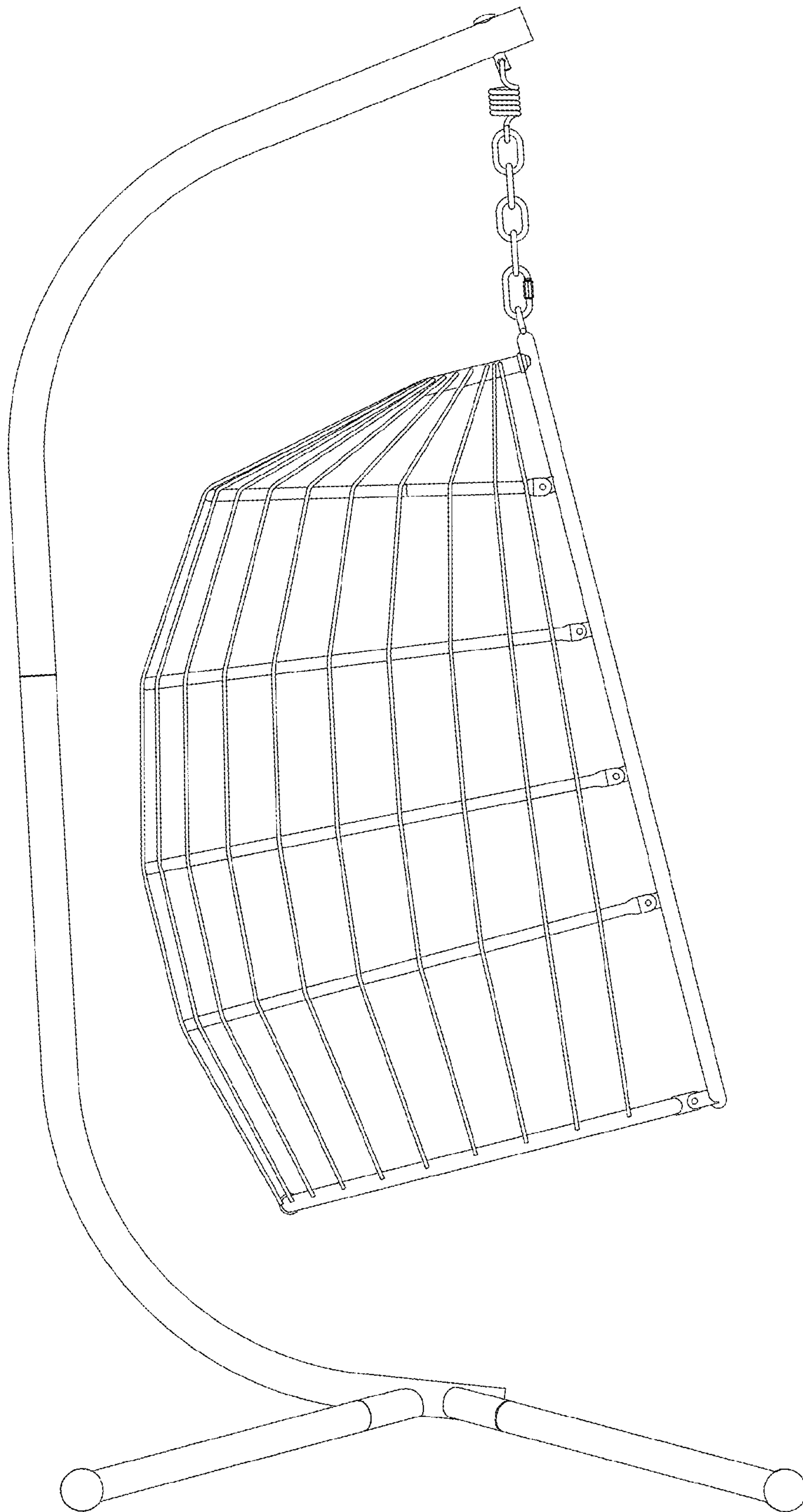


FIG. 3

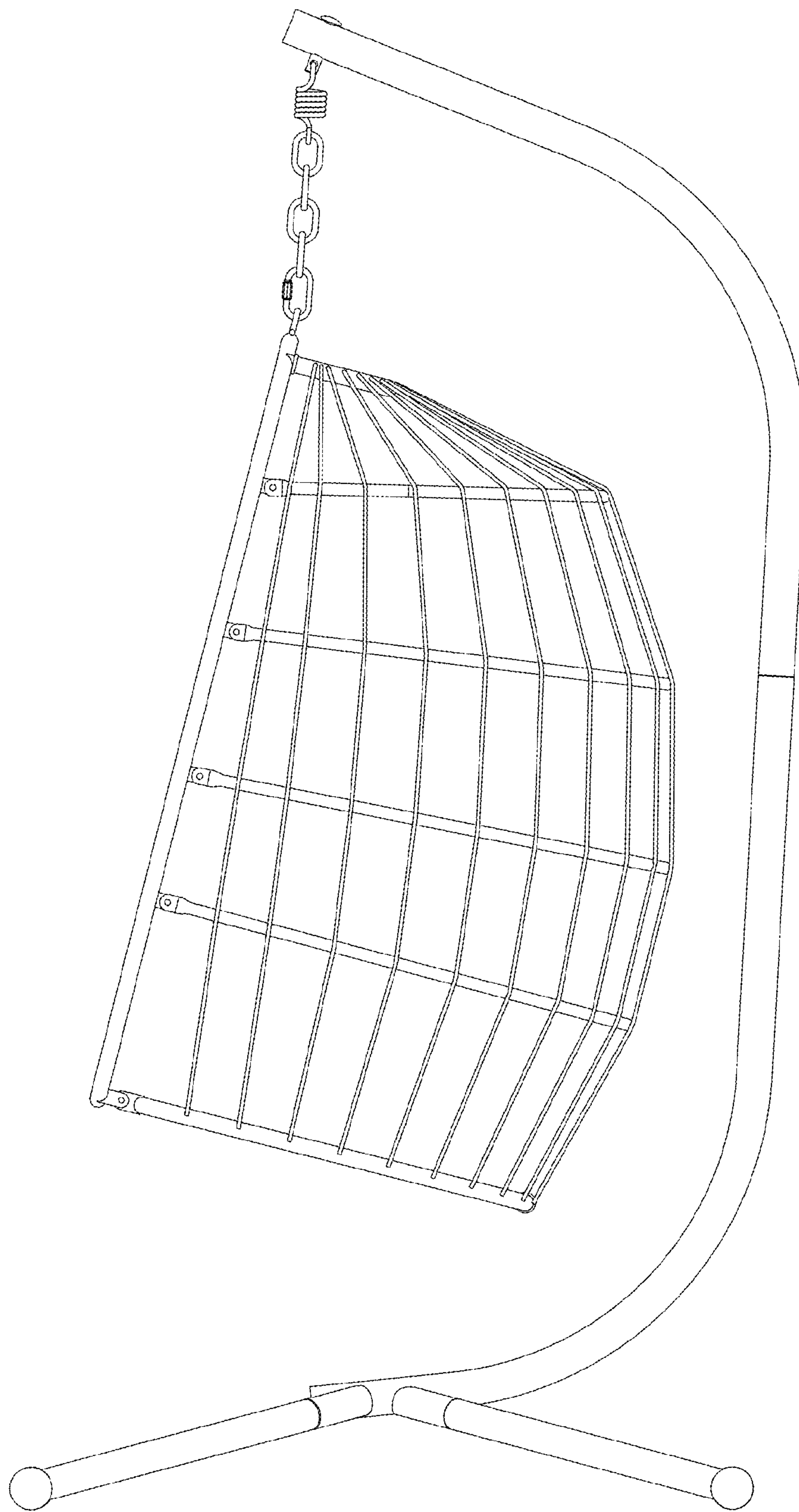


FIG. 4

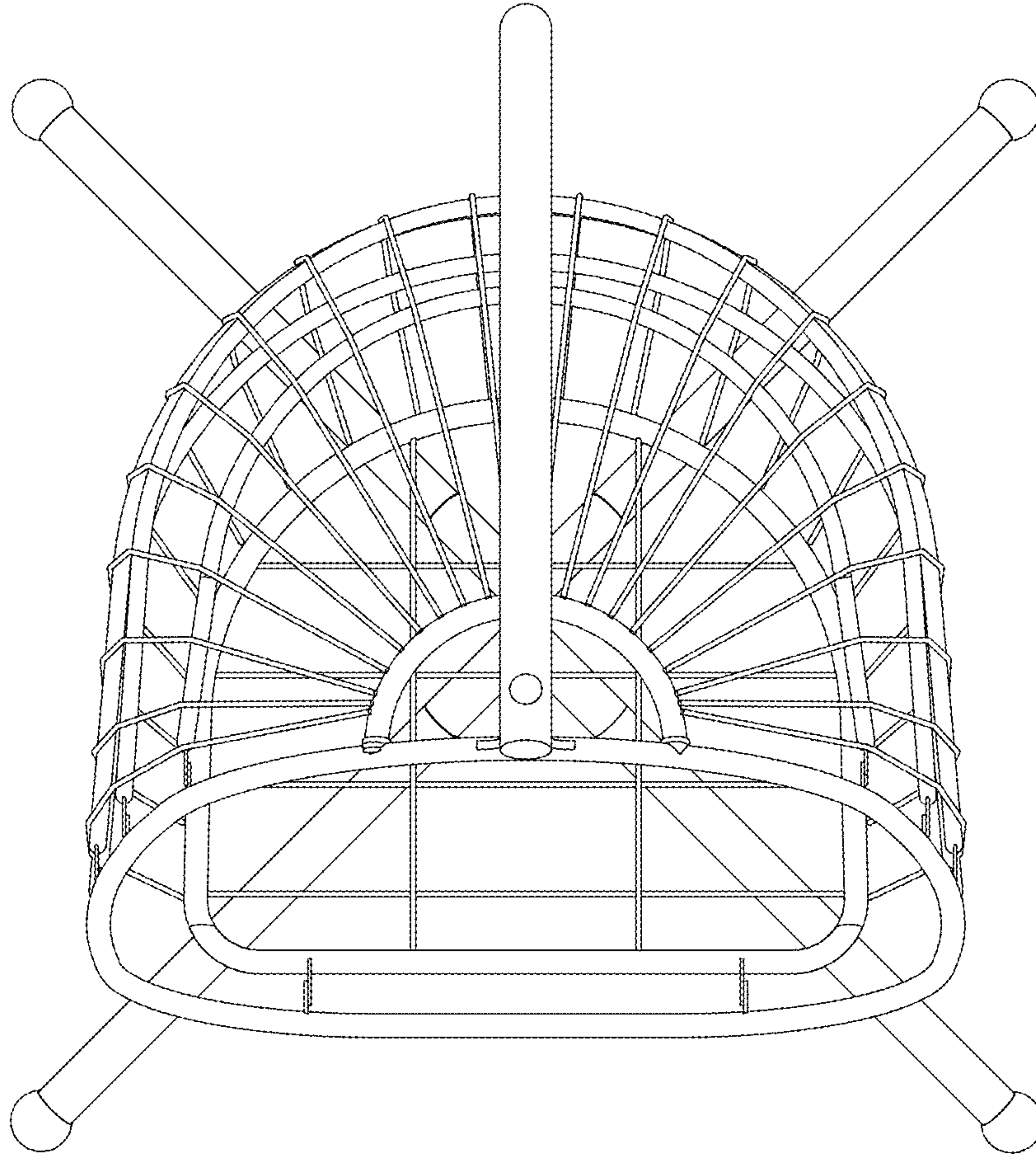


FIG. 5

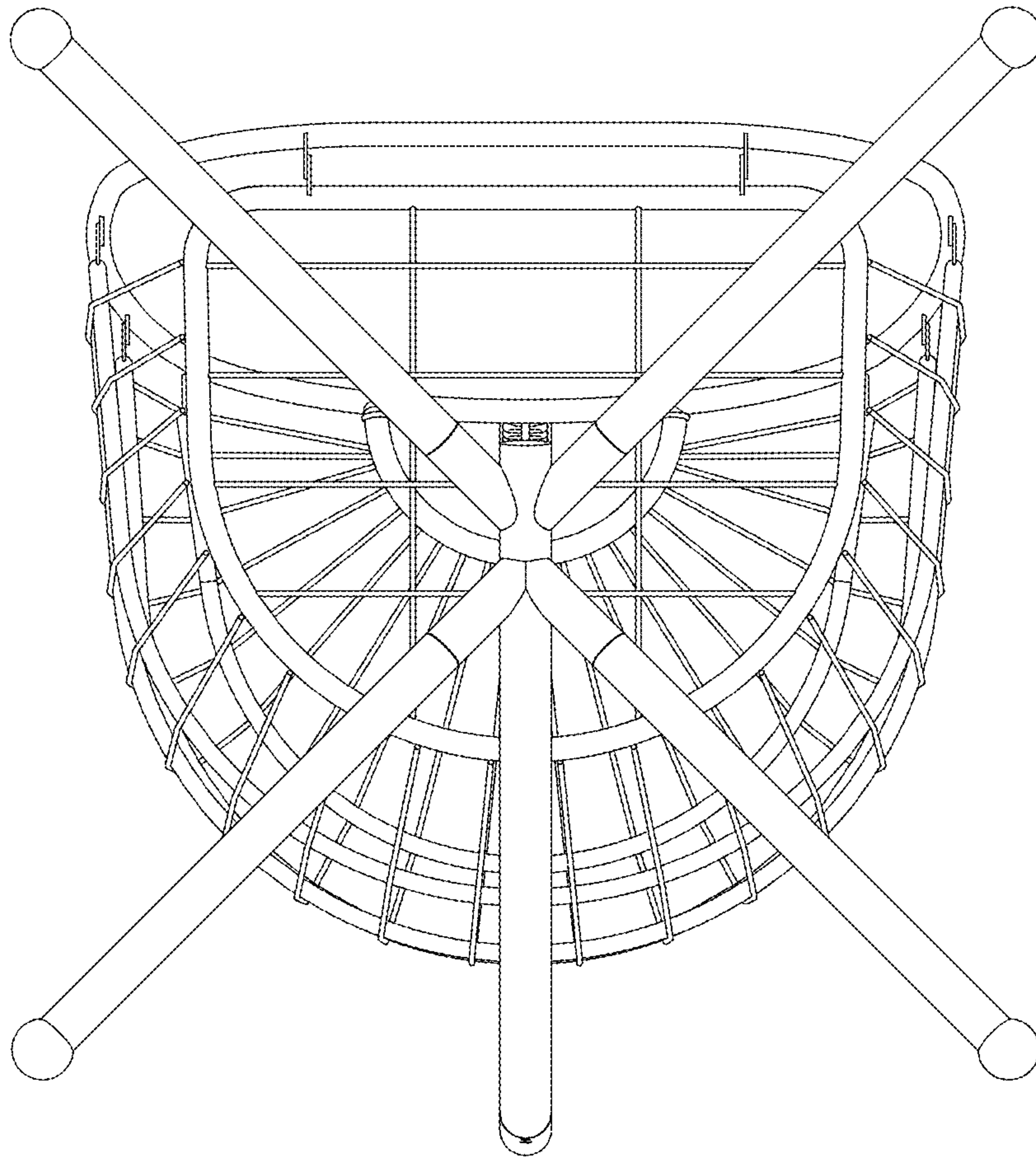


FIG. 6

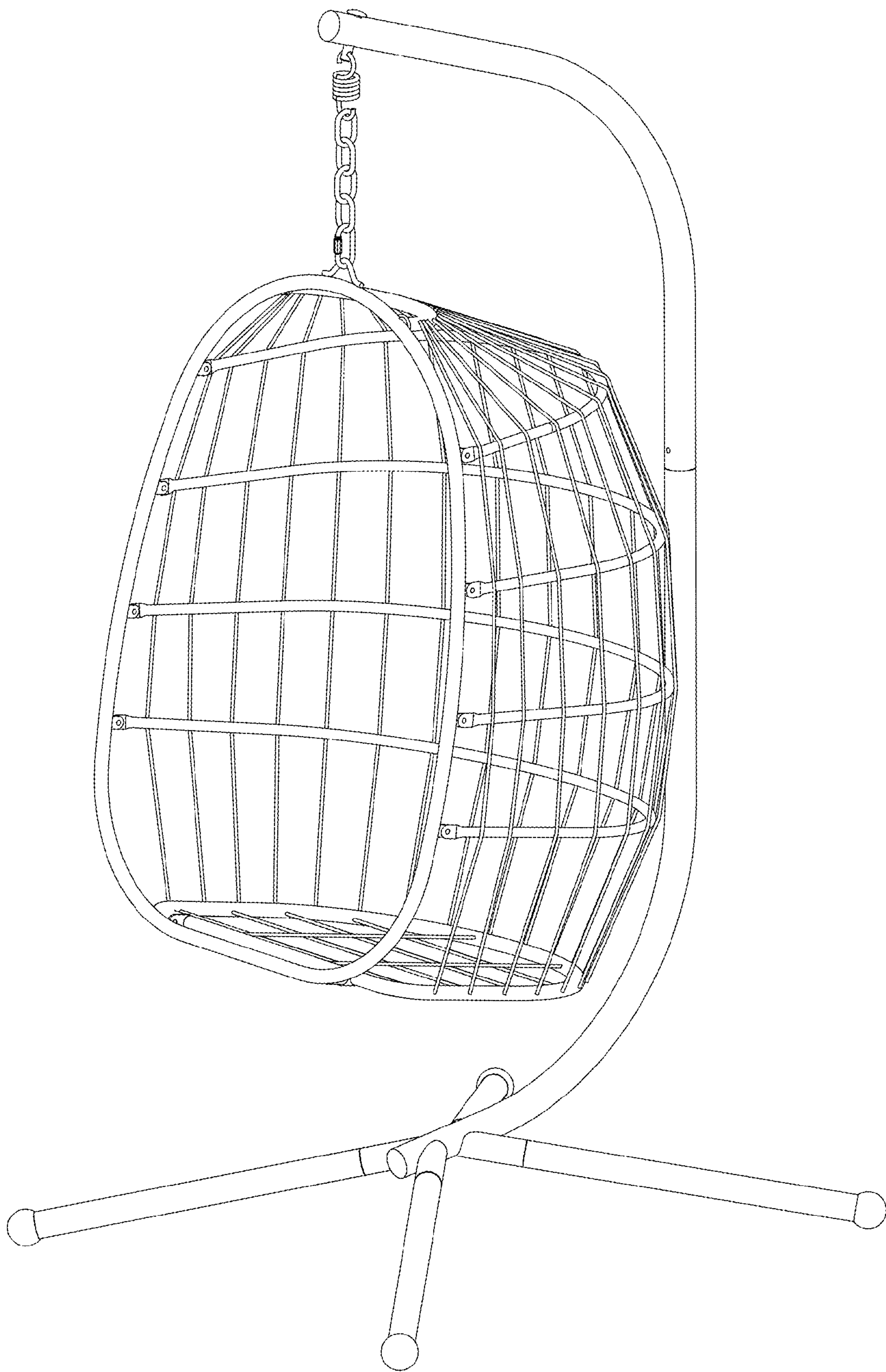


FIG. 7