



US00D929136S

(12) **United States Design Patent** (10) **Patent No.:** **US D929,136 S**
Holmes (45) **Date of Patent:** **** Aug. 31, 2021**

(54) **COMPACT PLAYPEN**
(71) Applicant: **Packinlight LLC**, Fairfax, VA (US)
(72) Inventor: **Benjamin R. Holmes**, Fairfax, VA (US)
(73) Assignee: **PACKINLIGHT LLC**, Fairfax, VA (US)
(**) Term: **15 Years**

(21) Appl. No.: **29/691,039**
(22) Filed: **May 13, 2019**
(51) **LOC (13) Cl.** **06-06**
(52) **U.S. Cl.**
USPC **D6/331; D6/391**
(58) **Field of Classification Search**
USPC D6/331, 333, 390, 391; D21/837;
D30/108
CPC E04H 15/40; A47D 9/005; A47D 13/063;
A47D 7/002; A01K 31/08
See application file for complete search history.

(56) **References Cited**
U.S. PATENT DOCUMENTS
3,430,273 A * 3/1969 Stillwaugh A47D 13/063
5/98.1
5,163,461 A * 11/1992 Ivanovich A01G 13/043
135/126
D369,492 S * 5/1996 Panno, Jr. D21/837
5,601,105 A * 2/1997 Blen E04H 15/40
135/126
D410,153 S * 5/1999 McAllister D6/331
7,523,719 B2 * 4/2009 Miller A01K 1/0254
119/496
7,578,306 B2 * 8/2009 Mettavant E04H 15/40
135/126
D640,483 S * 6/2011 Daley A47D 9/005
D6/390
9,179,785 B2 * 11/2015 Tricault A47D 9/005

D802,226 S * 11/2017 Caputo D30/108
D809,308 S * 2/2018 Vanbelle D6/331
D828,698 S * 9/2018 Furuland D6/391
D884,381 S * 5/2020 Tuckey D6/390
D898,498 S * 10/2020 Tong D6/716.8
2010/0101618 A1 * 4/2010 van Aalst E04H 15/40
135/126
2012/0311782 A1 * 12/2012 Tricault A47D 9/005
5/99.1

(Continued)

OTHER PUBLICATIONS

“MooMooBaby Pop-Up Baby Beach Crib Tent.” Found online Nov. 6, 2020 at www.amazon.com. Product reviewed Mar. 22, 2017. Retrieved from URL: <https://www.amazon.com/MooMooBaby-Pop-Up-Baby-Beach-Crib/dp/B01L8RBIBI?th=1> (Year: 2017).*

(Continued)

Primary Examiner — Michael C Stout
Assistant Examiner — Katelin G Kloberg
(74) *Attorney, Agent, or Firm* — Sanders IP Law

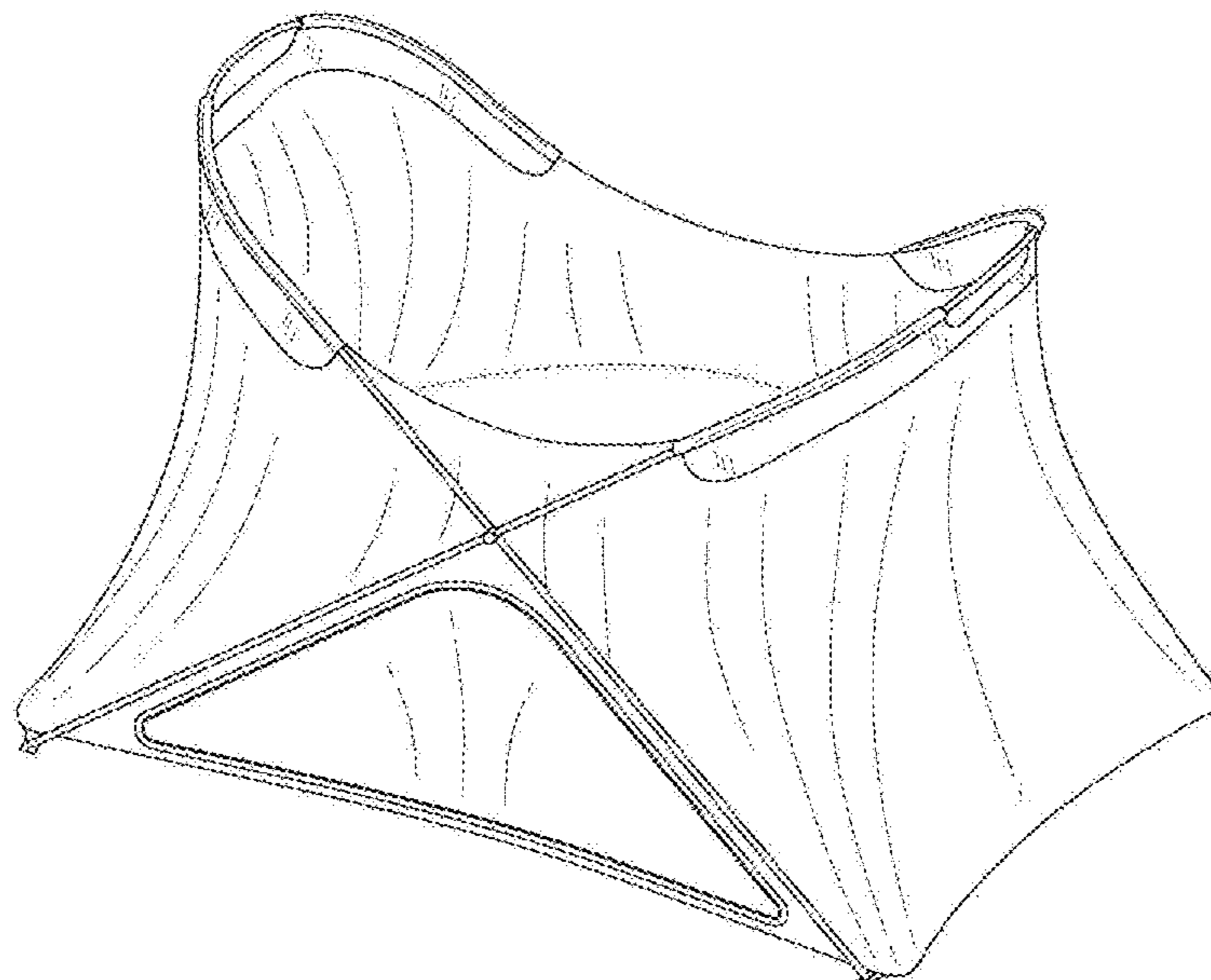
(57) **CLAIM**

I claim the ornamental design for a compact playpen, as shown and described.

DESCRIPTION

FIG. 1 is a perspective view of a compact playpen showing my design;
FIG. 2 is a left side elevation view thereof;
FIG. 3 is a right side elevation view thereof;
FIG. 4 is front elevation view thereof;
FIG. 5 is rear elevation view thereof;
FIG. 6 is a top plan view thereof; and,
FIG. 7 is a bottom plan view thereof.
The broken lines depict portions of the article and form no part of the claimed design.

1 Claim, 4 Drawing Sheets



(56)

References Cited

U.S. PATENT DOCUMENTS

2019/0343299 A1 * 11/2019 Holmes A47D 13/063

OTHER PUBLICATIONS

“Munchkin Brica Fold N’Go Travel Bassinet.” Found online Nov. 6, 2020 at www.amazon.com. Product question answered Mar. 11, 2014. Retrieved from URL: <https://www.amazon.com/Brica-Fold-Go-Travel-Bassinet/dp/B004L2JJ6E> (Year: 2014).*

“Simmons Kids Ultra-Compact Travel Bedside Bassinet.” Found online Nov. 6, 2020 at www.amazon.com. Product reviewed Apr. 10, 2019. Retrieved from URL: <https://tinyurl.com/y3aamp7b> (Year: 2019).*

“YouTube—nest baby travel cot—instructions—phil & teds.” Found online Nov. 6, 2020 at www.youtube.com. Video published Jul. 20, 2011. Retrieved from URL: <https://www.youtube.com/watch?v=3MybZoJHCqc> (Year: 2011).*

* cited by examiner

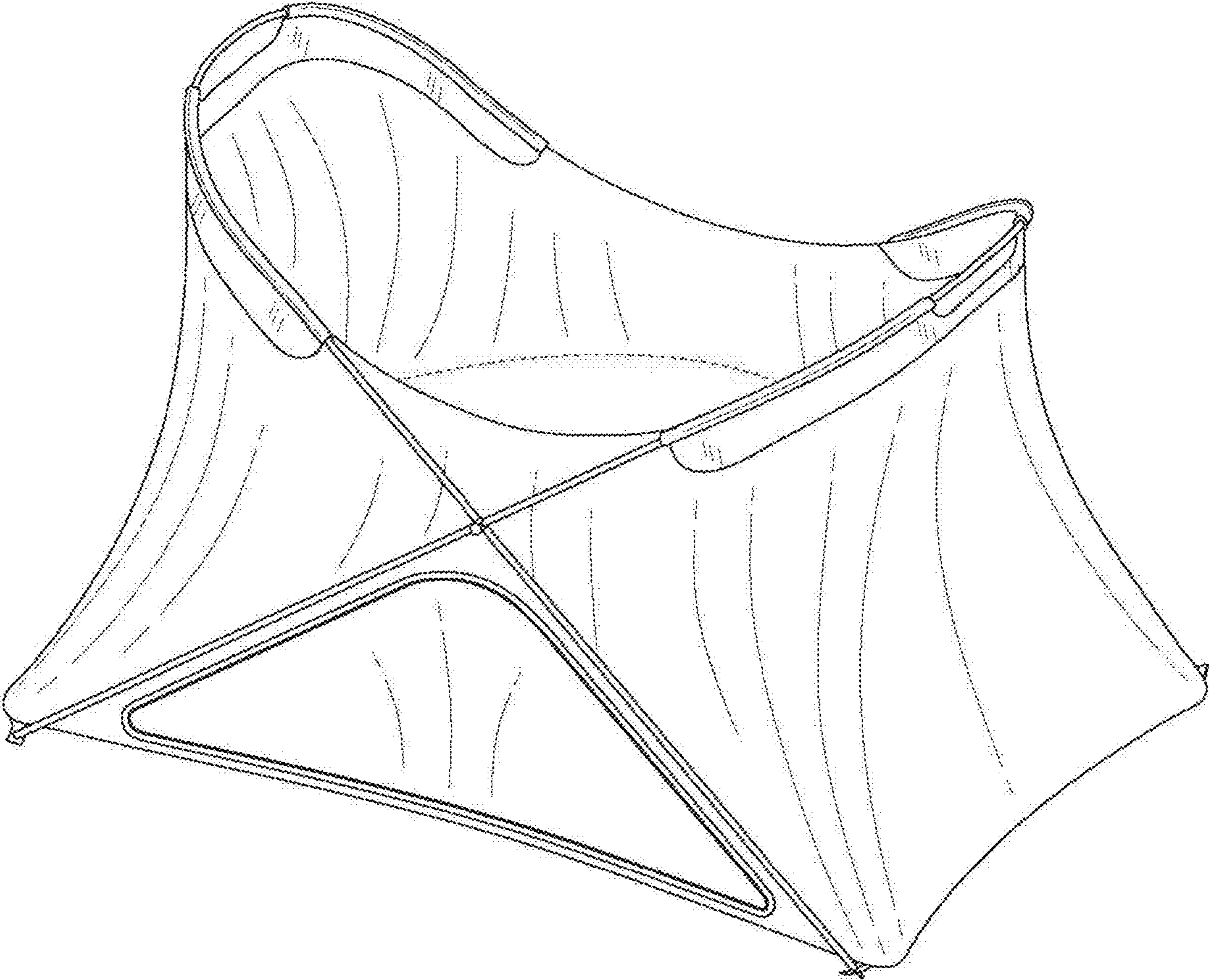


FIG. 1

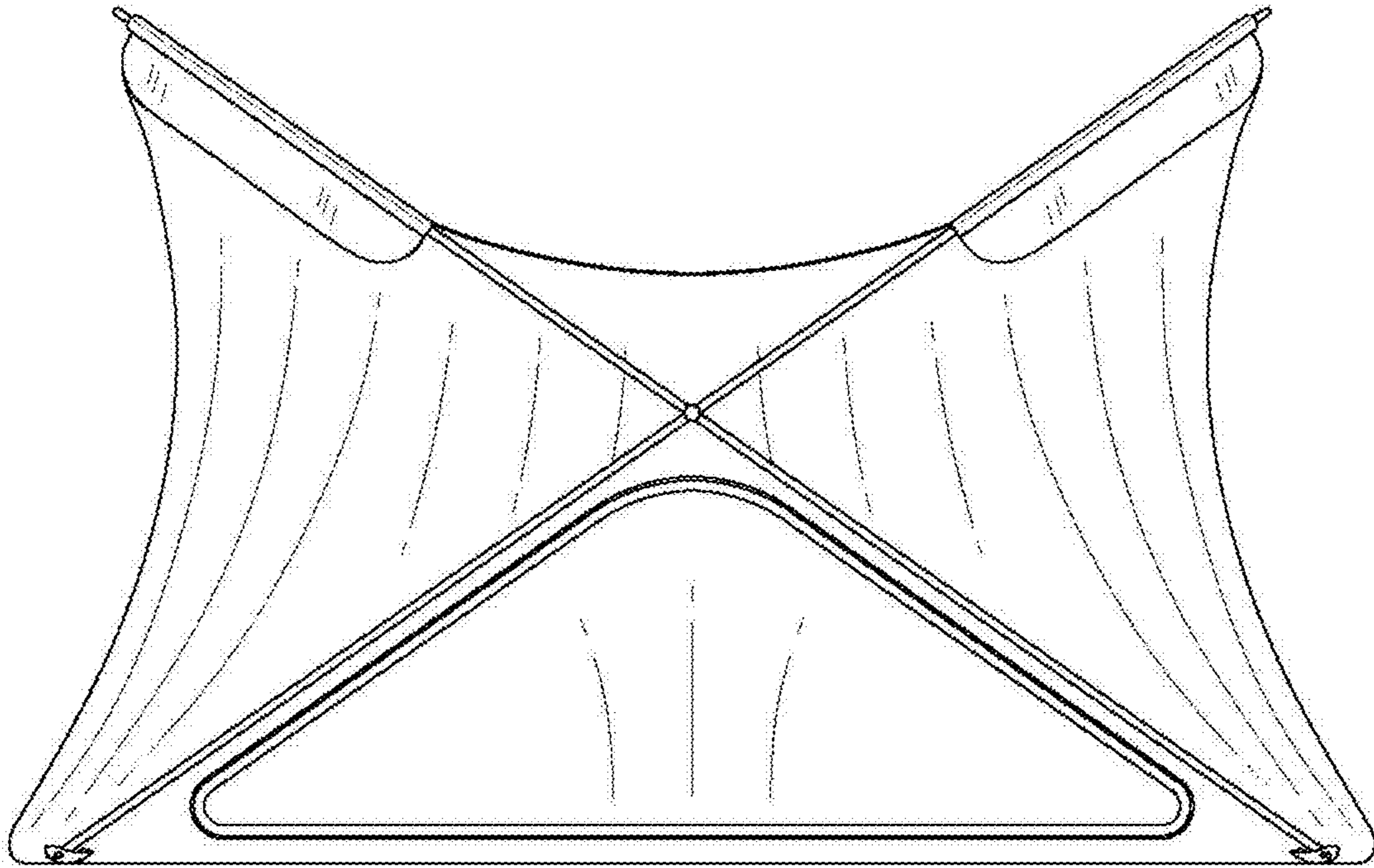


FIG. 2

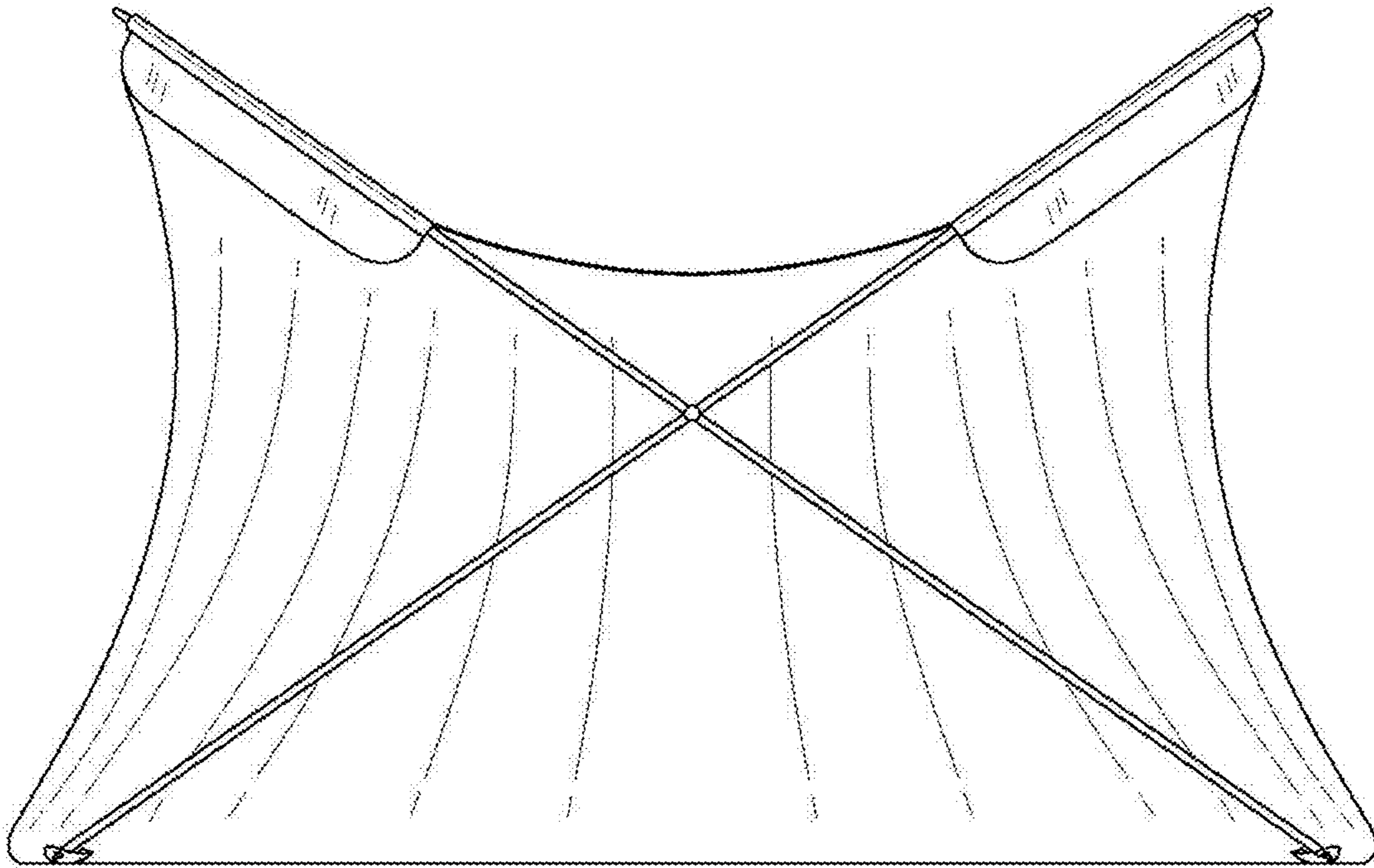


FIG. 3

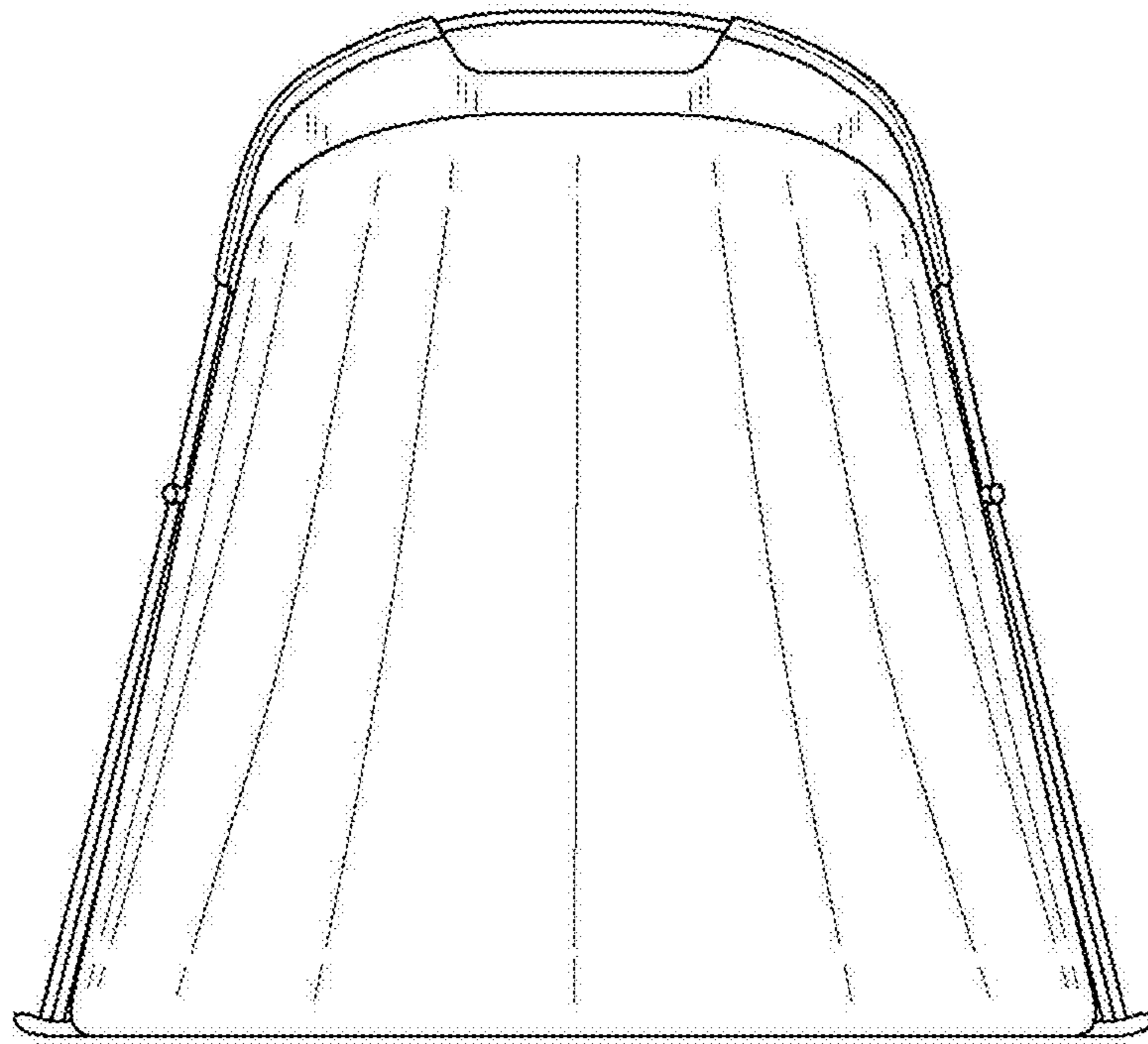


FIG. 4

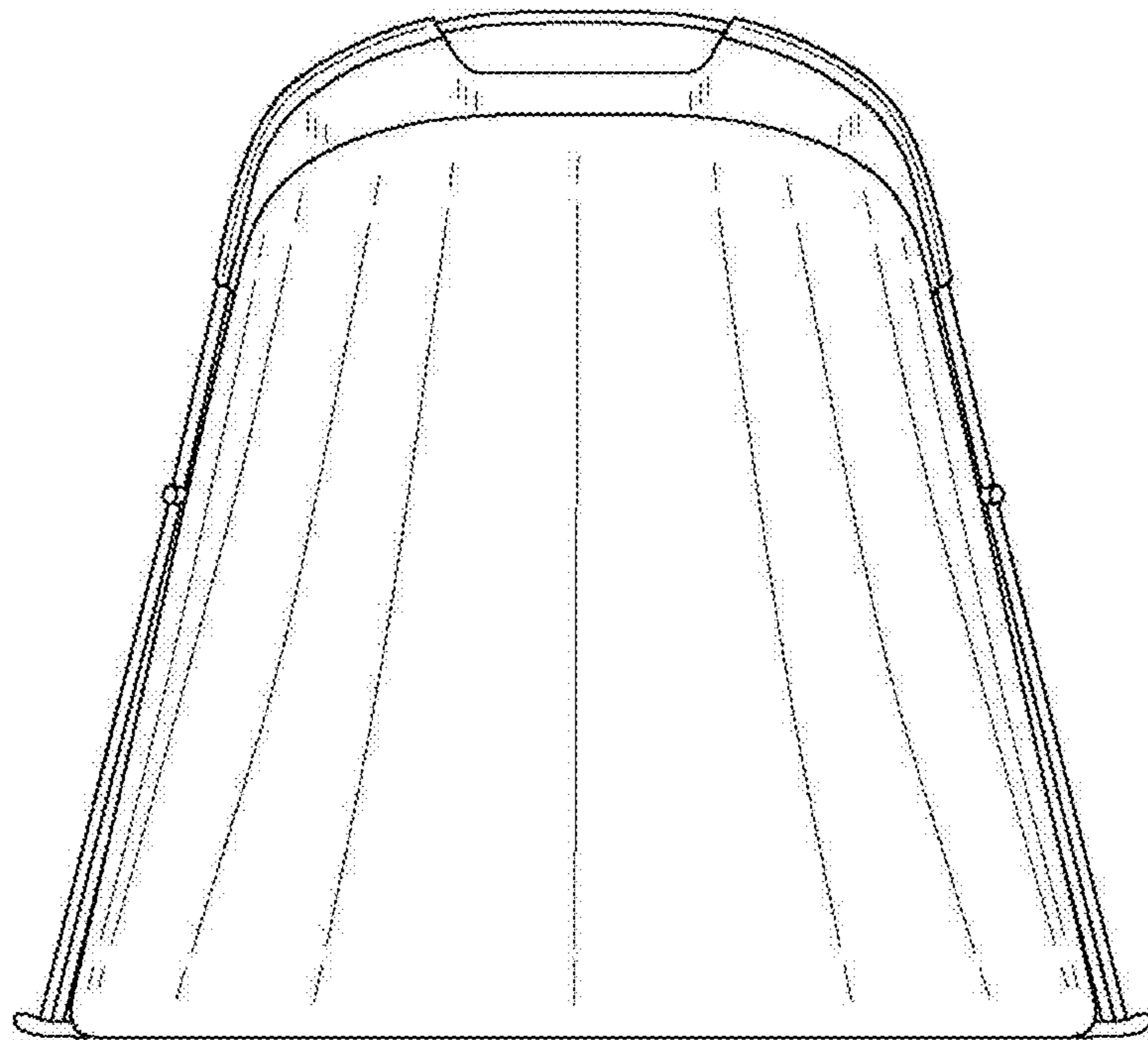


FIG. 5

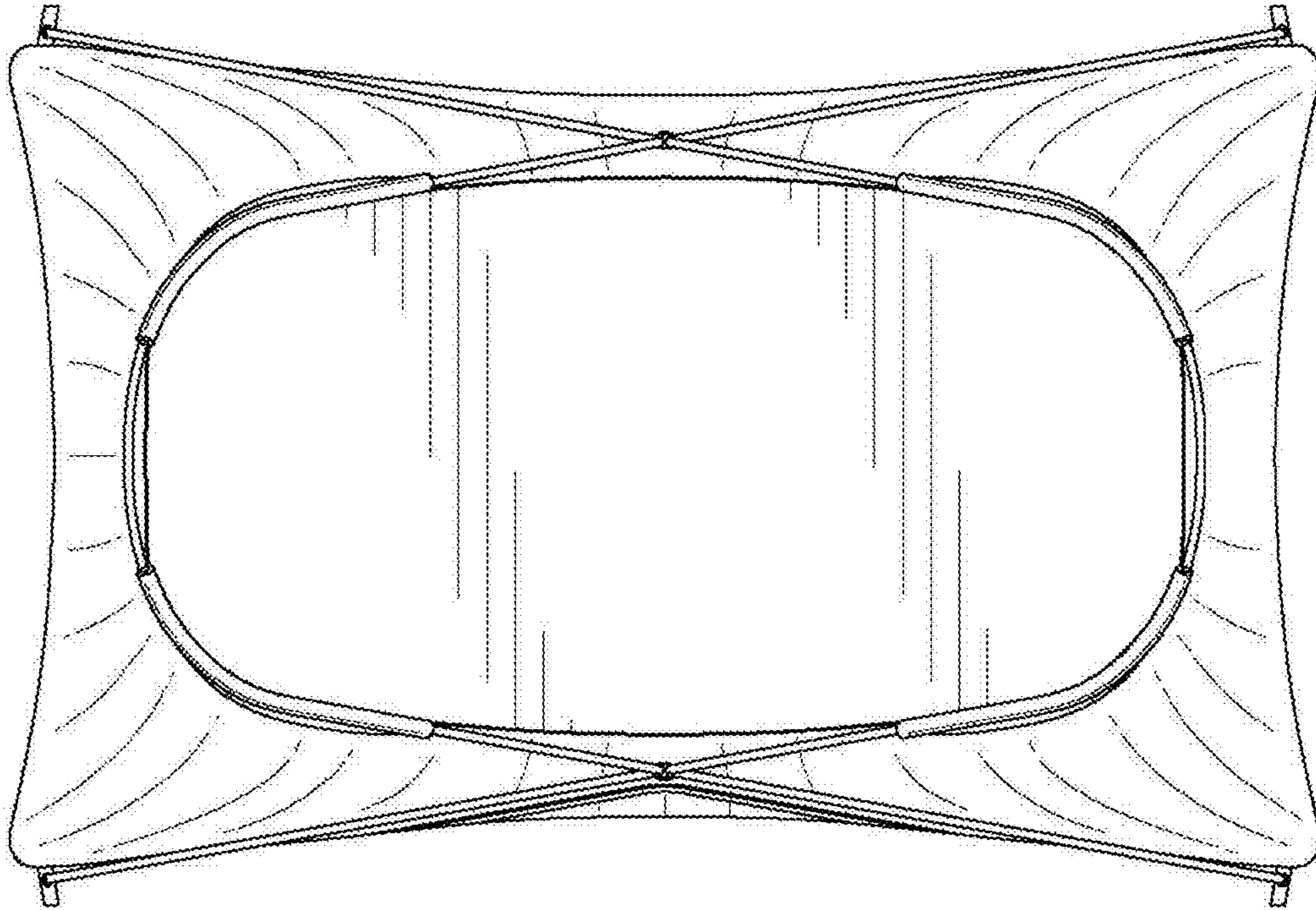


FIG. 6

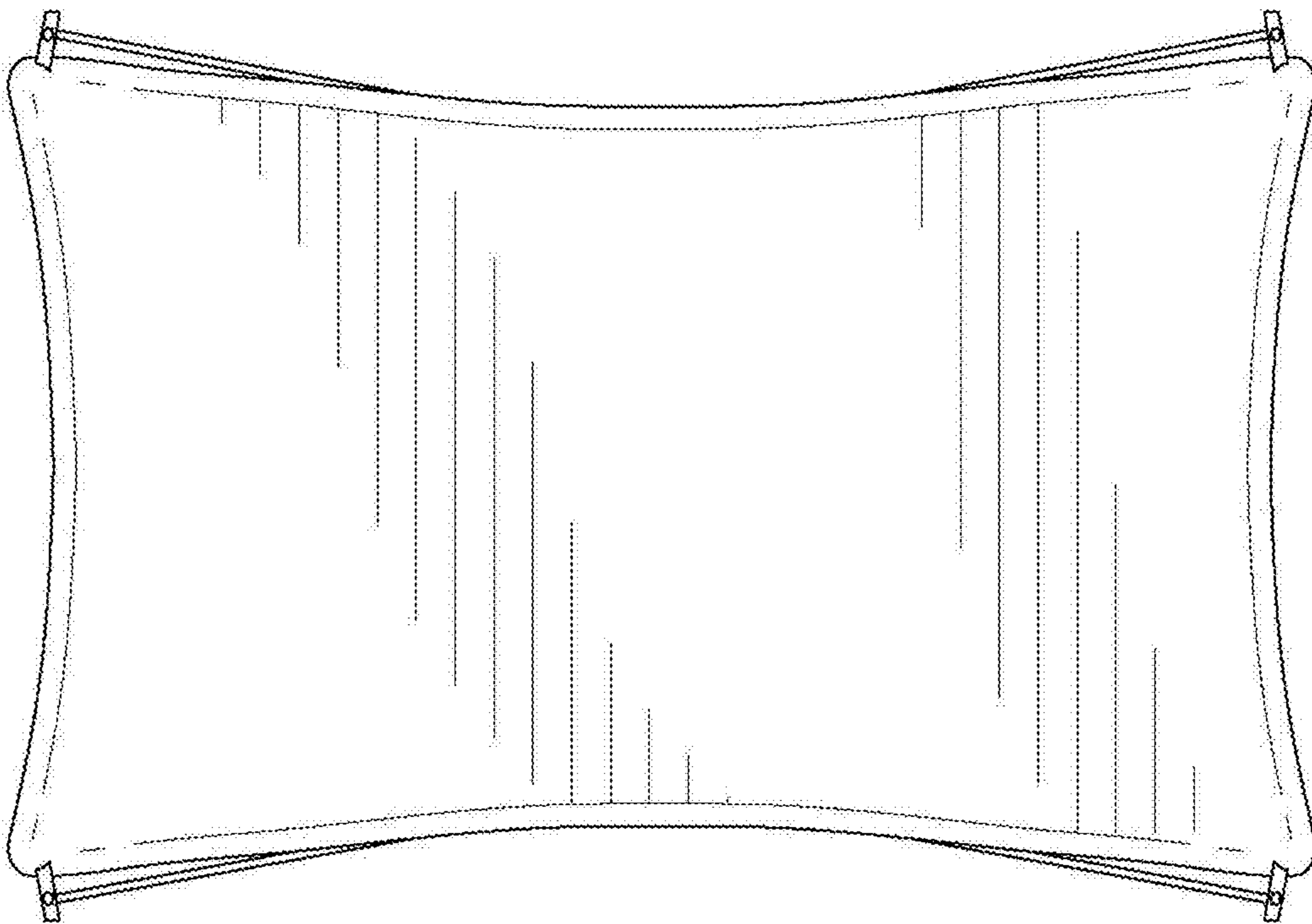


FIG. 7