



US00D929135S

(12) **United States Design Patent** (10) **Patent No.:** **US D929,135 S**  
**Losness et al.** (45) **Date of Patent:** **\*\* Aug. 31, 2021**

(54) **COORDINATE HANGER HOOP WITH BOTTOM CONNECTOR**

(71) Applicant: **TARGET BRANDS, INC.**,  
Minneapolis, MN (US)

(72) Inventors: **Laurie Losness**, Coon Rapids, MN  
(US); **Richard P. Riedel**, Blaine, MN  
(US); **Terrence J. Hornsby, Jr.**,  
Minneapolis, MN (US)

(73) Assignee: **TARGET BRANDS, INC.**,  
Minneapolis, MN (US)

(\*\*) Term: **15 Years**

(21) Appl. No.: **29/712,114**

(22) Filed: **Nov. 5, 2019**

(51) **LOC (13) Cl.** ..... **06-08**

(52) **U.S. Cl.**  
USPC ..... **D6/328**

(58) **Field of Classification Search**  
USPC ..... D6/315-328  
CPC .... A47G 25/186; A47G 25/16; A47G 25/481;  
A47G 25/442; A47G 25/1442; A41D  
27/22

See application file for complete search history.

(56) **References Cited**

**U.S. PATENT DOCUMENTS**

- 2,753,143 A \* 7/1956 Berlt ..... A47G 25/186  
248/317
- 3,606,967 A 9/1971 Roberts
- 3,692,218 A 9/1972 Friedman
- D234,243 S \* 2/1975 Lindemann ..... D6/328
- 4,112,541 A 9/1978 Tetradis
- 4,558,896 A \* 12/1985 Farnworth ..... A45F 5/1026  
294/156
- 4,696,505 A 9/1987 Shadoan
- 5,029,739 A \* 7/1991 Blanchard ..... A47G 25/16  
223/88

- 5,273,334 A \* 12/1993 Schopfer ..... B65D 73/0071  
294/137
- D365,978 S 1/1996 Rekuc et al.
- 5,695,234 A 12/1997 Coticchio et al.
- 5,797,640 A \* 8/1998 Schopfer ..... B65D 73/0071  
294/152
- 5,806,904 A 9/1998 Smith
- 5,878,853 A 3/1999 DeRouen et al.
- D448,986 S 10/2001 Cook et al.
- 6,349,862 B1 2/2002 Smith et al.
- D463,124 S 9/2002 Godshaw et al.
- D469,964 S 2/2003 Gouldson
- 6,578,231 B1 6/2003 Godshaw et al.
- 6,688,502 B2 \* 2/2004 Kunreuther ..... A47G 25/186  
223/85
- D503,287 S 3/2005 Gouldson  
(Continued)

**OTHER PUBLICATIONS**

U.S. Appl. No. 16/545,810, Riedel, Richard P., filed Aug. 20, 2019  
(54 pages).

*Primary Examiner* — Lauren R Calve  
(74) *Attorney, Agent, or Firm* — JoAnn M. Seaton;  
Griffiths & Seaton PLLC

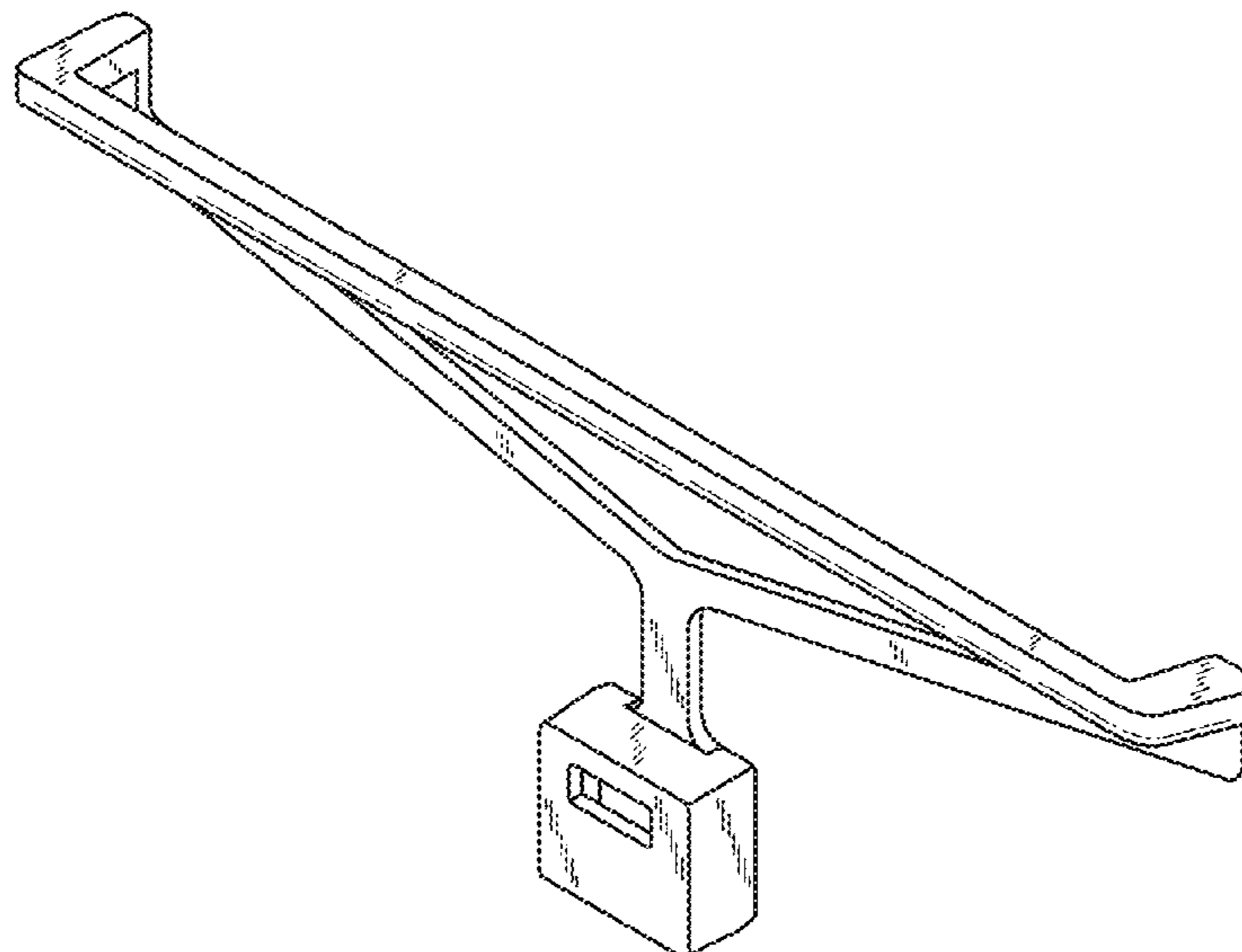
(57) **CLAIM**

The ornamental design for a coordinate hanger hoop with  
bottom connector, as shown and described.

**DESCRIPTION**

FIG. 1 is a front perspective view of a coordinate hanger  
hoop with bottom connector showing our new design;  
FIG. 2 is a front view thereof;  
FIG. 3 is a rear view thereof;  
FIG. 4 is a right side view thereof;  
FIG. 5 is a left side view thereof;  
FIG. 6 is a top view thereof; and,  
FIG. 7 is a bottom view thereof.

**1 Claim, 3 Drawing Sheets**



(56)

**References Cited**

U.S. PATENT DOCUMENTS

2005/0284899 A1\* 12/2005 Fleming ..... A47G 25/16  
223/85  
2006/0278671 A1\* 12/2006 Gouldson ..... A47G 25/48  
223/85  
2007/0194063 A1\* 8/2007 Wu ..... A47G 25/186  
223/85  
2014/0361053 A1\* 12/2014 Laibe ..... A47G 25/442  
223/85  
2020/0085221 A1\* 3/2020 Riedel ..... A47G 25/16

\* cited by examiner

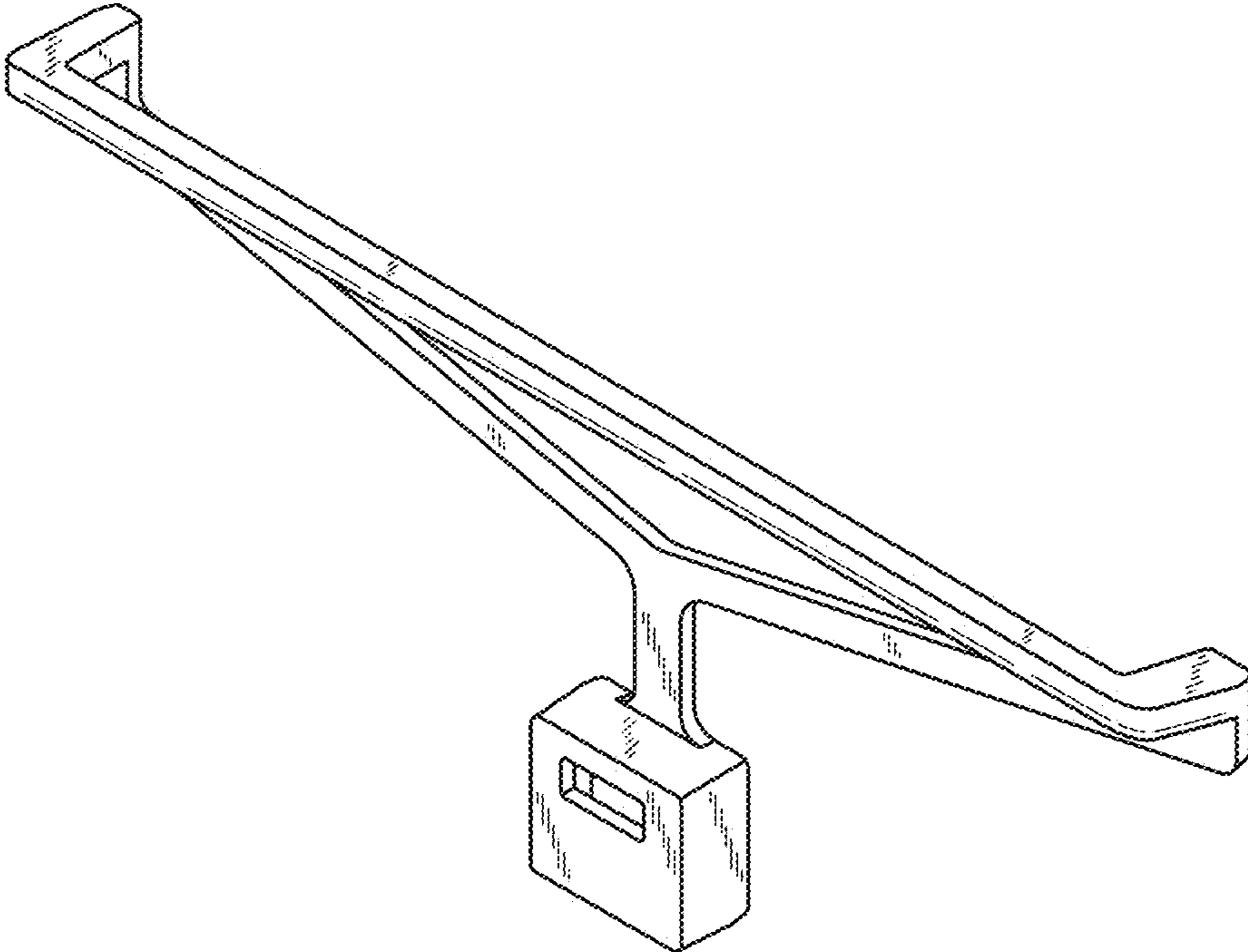
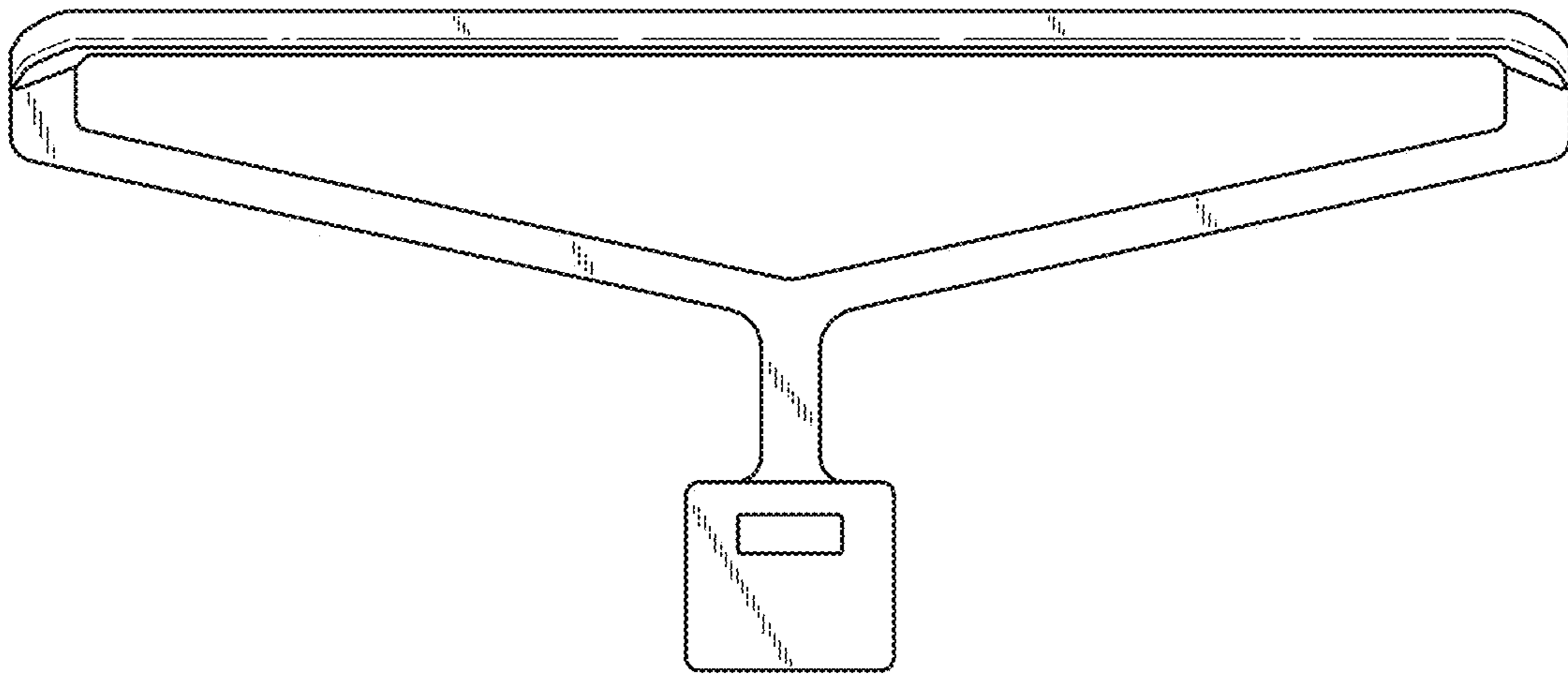
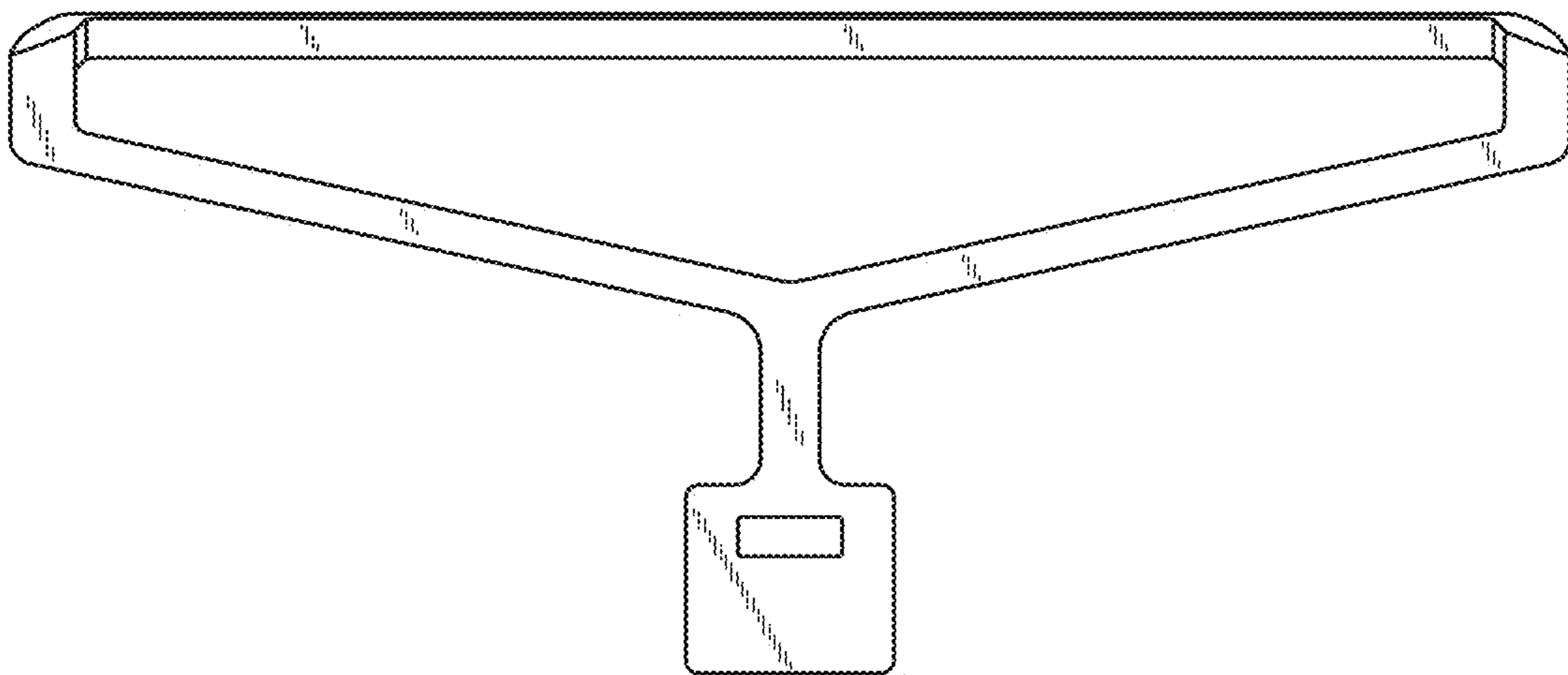


FIG. 1



**FIG. 2**



**FIG. 3**

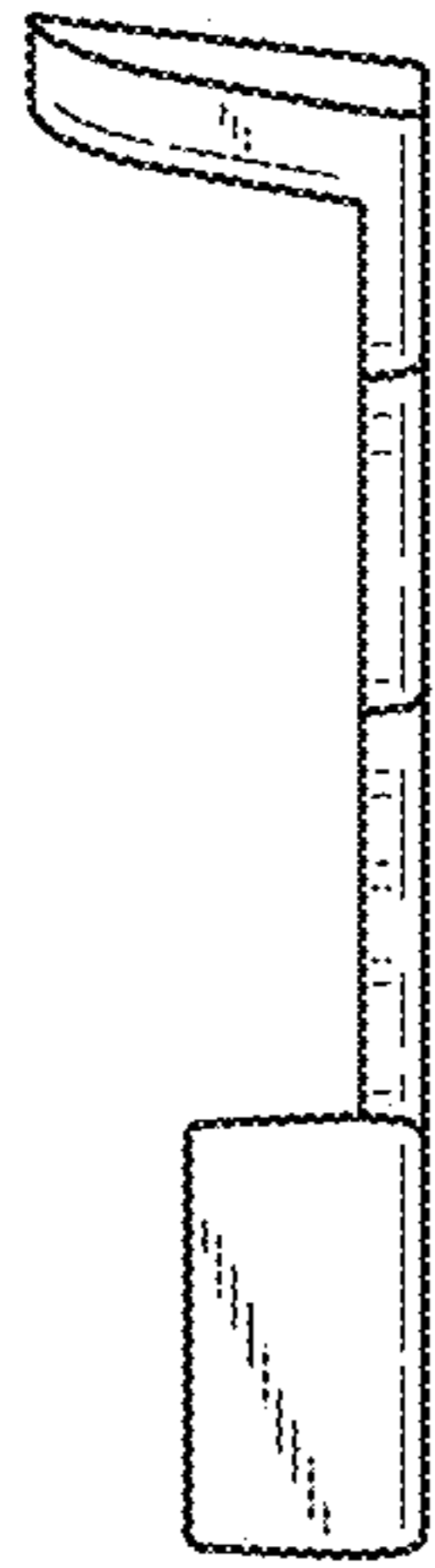


FIG. 4



FIG. 5

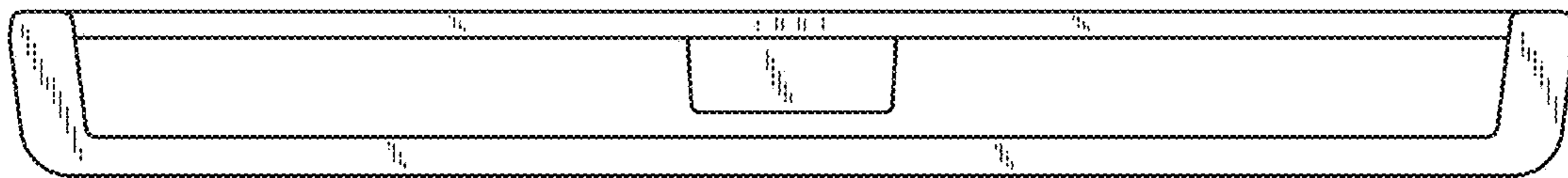


FIG. 6

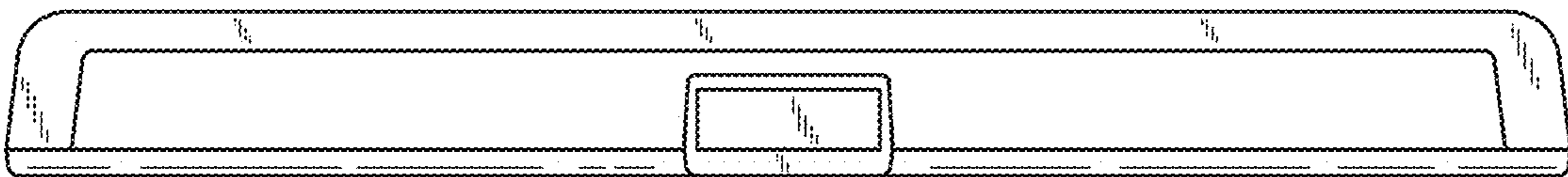


FIG. 7