



US00D929133S

(12) **United States Design Patent** (10) **Patent No.:** **US D929,133 S**  
**He** (45) **Date of Patent:** **\*\* Aug. 31, 2021**

(54) **FACIAL BRUSH**  
(71) Applicant: **Gaofeng He**, Guangdong (CN)  
(72) Inventor: **Gaofeng He**, Guangdong (CN)  
(73) Assignee: **Shenzhen Golden Wish Personal Care Co., Ltd**

D817,571 S \* 5/2018 Campbell ..... D32/35  
D819,338 S \* 6/2018 Xiong ..... D4/102  
D835,795 S \* 12/2018 Tai ..... D24/214  
D880,869 S \* 4/2020 Li ..... D4/100  
D882,961 S \* 5/2020 Luo ..... D4/116  
D883,575 S \* 5/2020 Liu ..... D28/63  
D910,314 S \* 2/2021 Alexander ..... D4/102  
2016/0135582 A1 \* 5/2016 Yen ..... A47K 7/04  
15/22.1

(\*\*) Term: **15 Years**

**FOREIGN PATENT DOCUMENTS**

(21) Appl. No.: **29/712,770**  
(22) Filed: **Nov. 12, 2019**  
(51) **LOC (13) Cl.** ..... **28-03**  
(52) **U.S. Cl.**  
USPC ..... **D4/128**  
(58) **Field of Classification Search**  
USPC ..... D4/100, 102, 121, 127, 126, 128, 129,  
D4/130, 132, 133, 134, 135, 136, 138,  
D4/199; D24/211, 214, 215; D30/158,  
D30/159, 160; D32/35  
CPC ..... A46B 2200/1006; A46B 2200/102; A46B  
2200/10  
See application file for complete search history.

CN 303891964 \* 10/2016  
CN 305941397 \* 7/2020  
CN 306074866 \* 9/2020  
CN 306134306 \* 10/2020  
CN 306134311 \* 10/2020  
CN 306164827 \* 11/2020  
KR 3020190034605 \* 3/2020

\* cited by examiner

*Primary Examiner* — Karen E Eldridge Powers

(57) **CLAIM**

The ornamental design for a facial brush, as shown and described.

**DESCRIPTION**

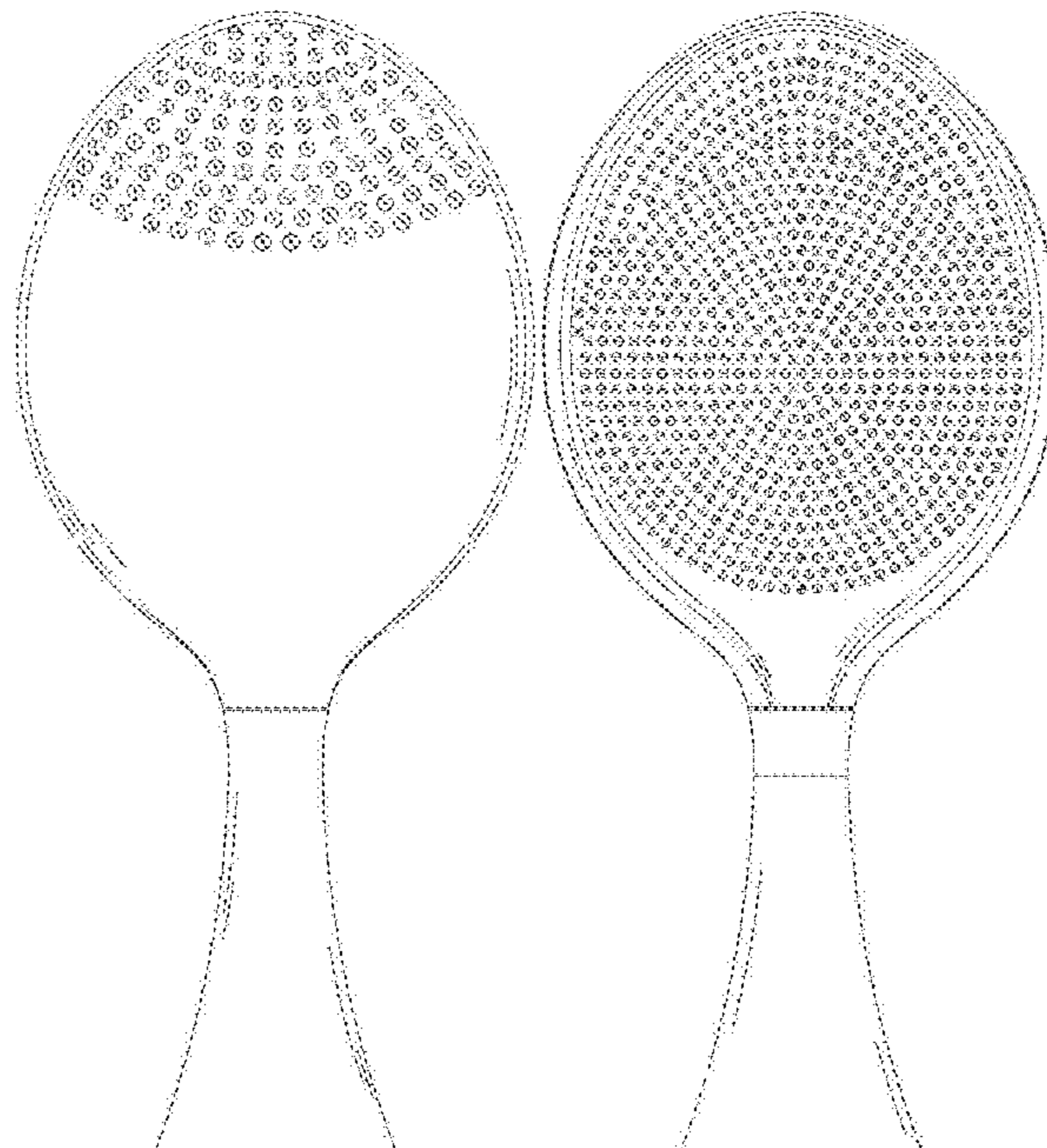
FIG. 1 is a perspective view of a facial brush showing the claimed design;  
FIG. 2 is a top plan view thereof;  
FIG. 3 is a rear elevational view thereof;  
FIG. 4 is a bottom plan view thereof;  
FIG. 5 is a right side view thereof;  
FIG. 6 is a front elevational view thereof; and,  
FIG. 7 is a left side view thereof.  
The broken lines depict environment that forms no part of the claimed design.

**1 Claim, 7 Drawing Sheets**

(56) **References Cited**

**U.S. PATENT DOCUMENTS**

309,668 A \* 12/1884 Weightman ..... A01K 13/002  
119/613  
D411,048 S \* 6/1999 Pinon ..... D4/136  
7,500,282 B1 \* 3/2009 Park ..... A47K 7/02  
15/160  
D710,112 S \* 8/2014 Dunn ..... D4/125  
D716,961 S \* 11/2014 Sedic ..... A61H 23/004  
D24/215  
D767,226 S \* 9/2016 Albers ..... D32/35  
D768,997 S \* 10/2016 Schlaferman ..... D4/111  
D812,379 S \* 3/2018 Ng ..... D4/120



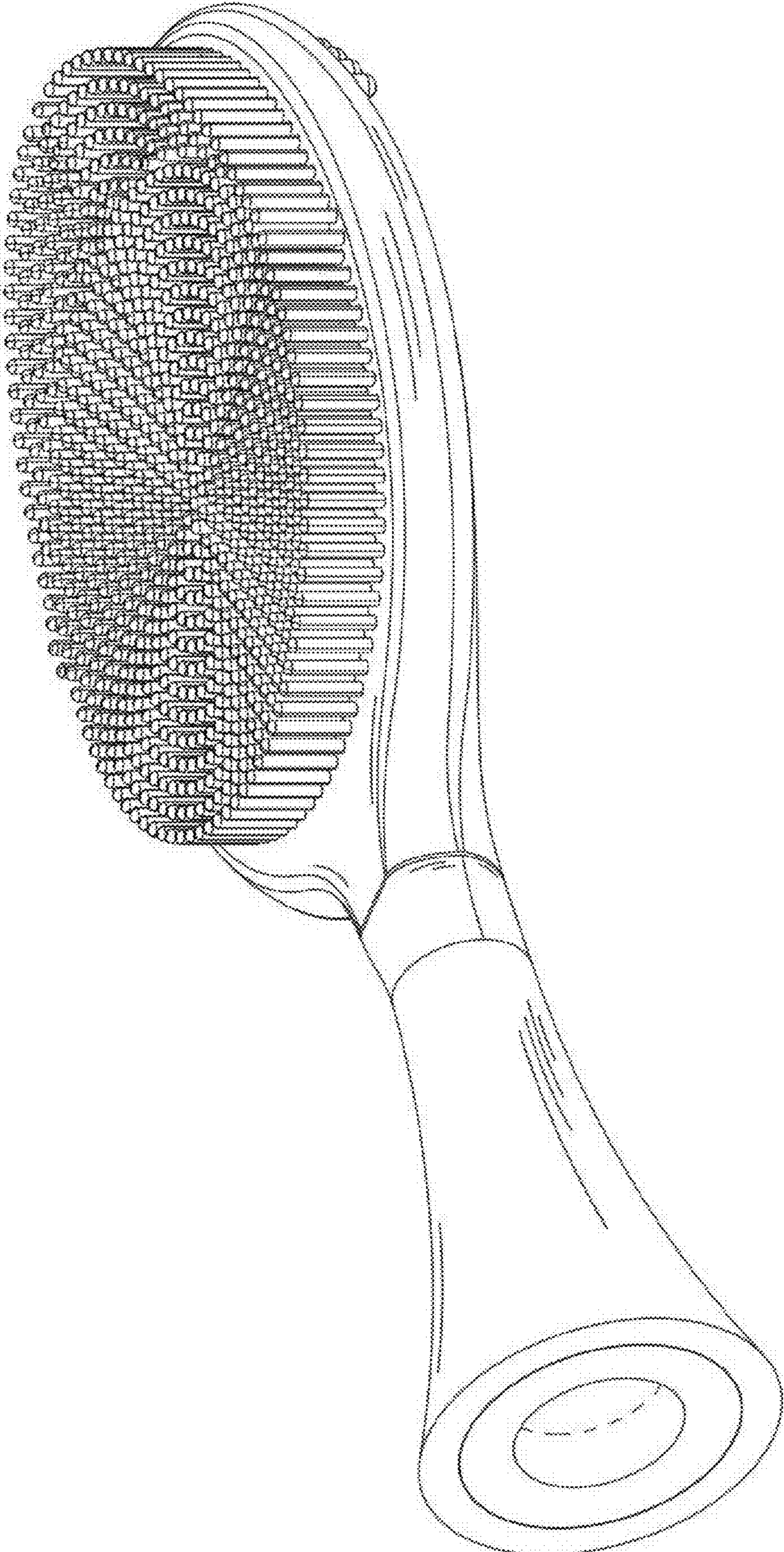


FIG.1

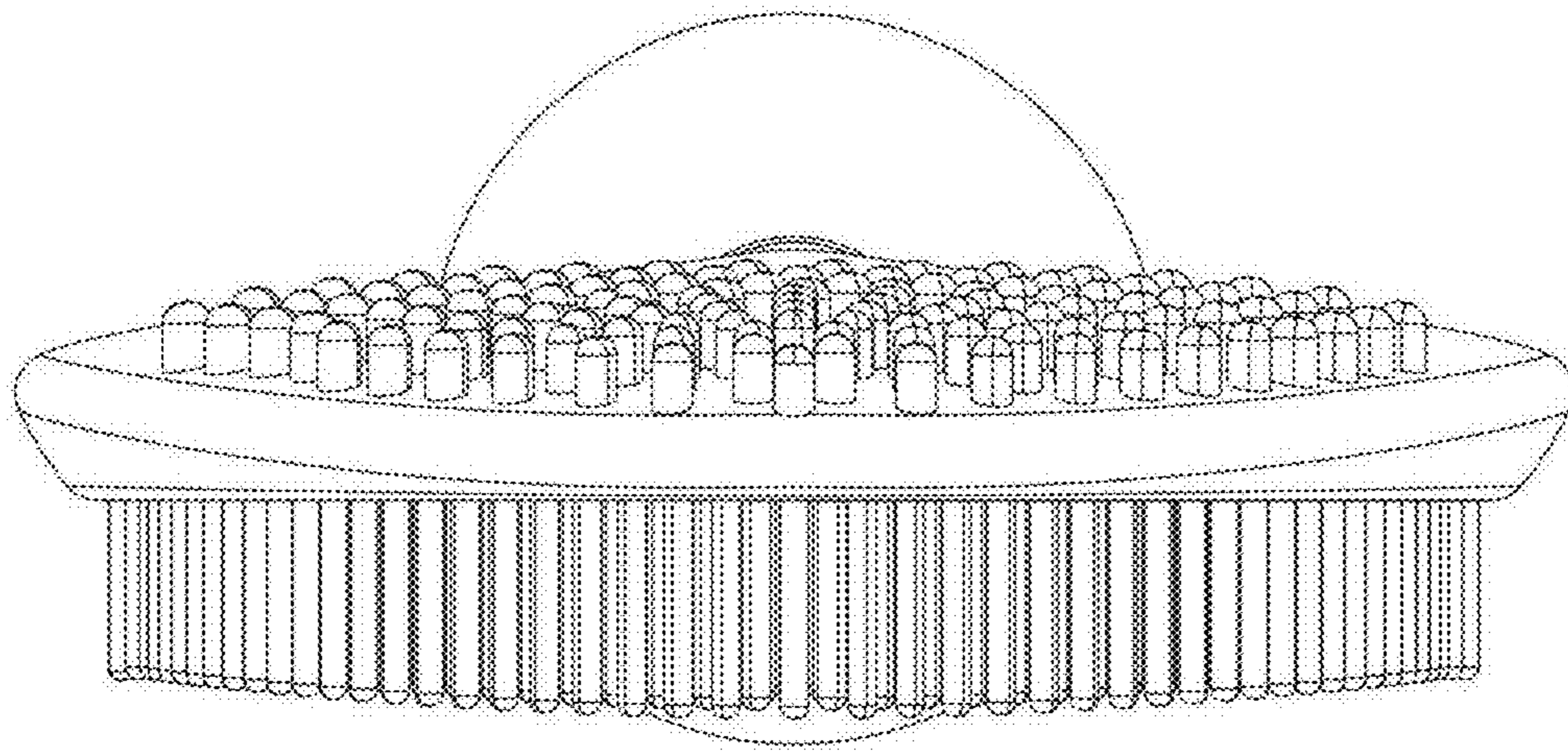


FIG.2

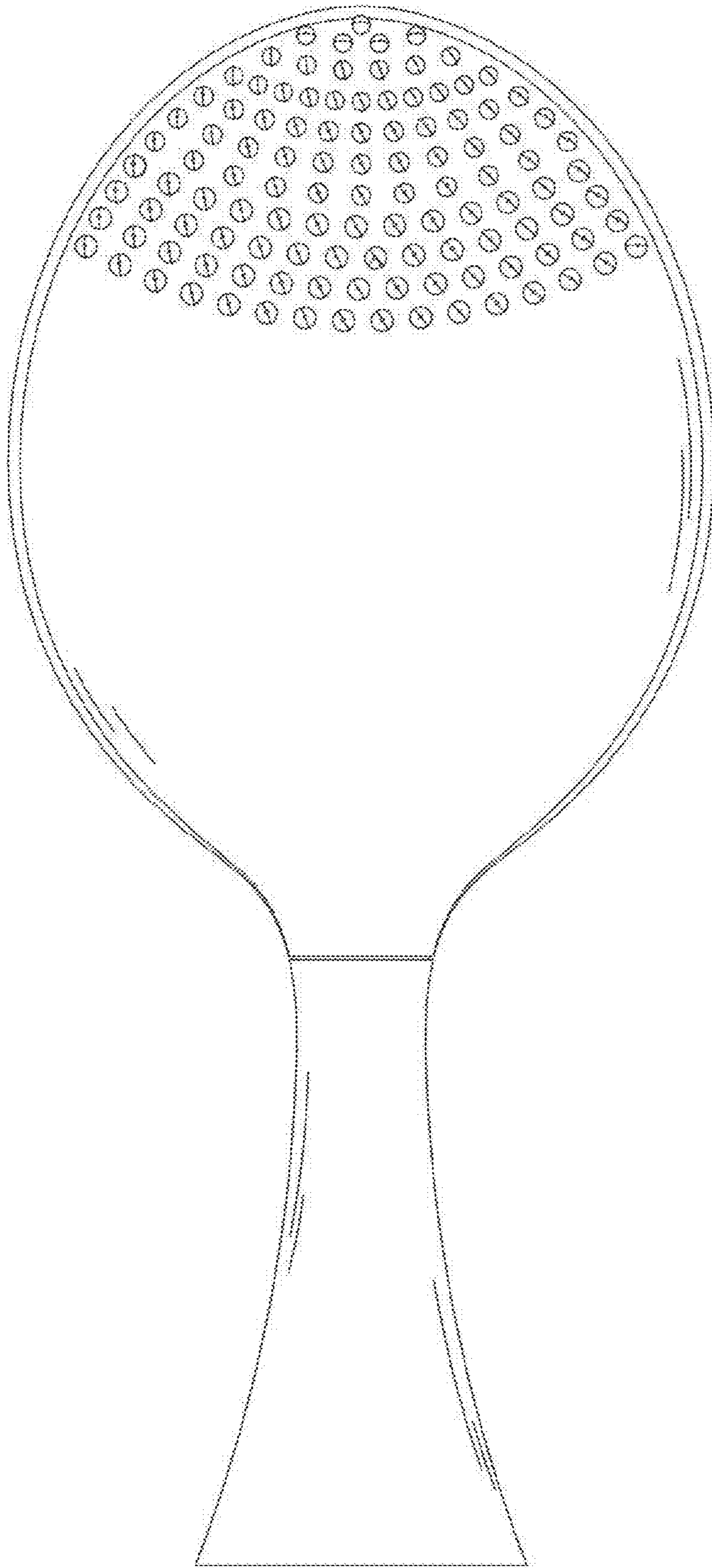
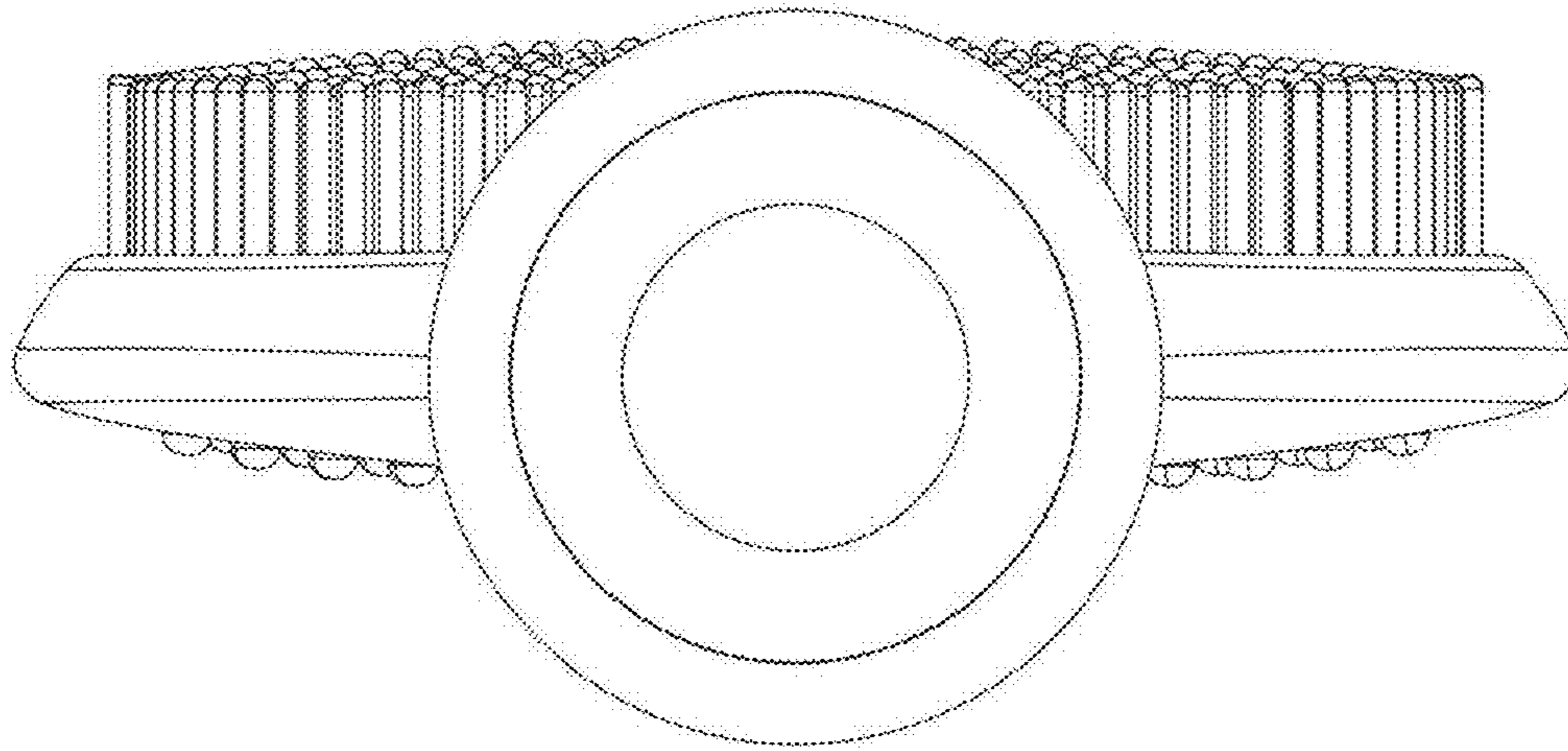


FIG.3



**FIG.4**

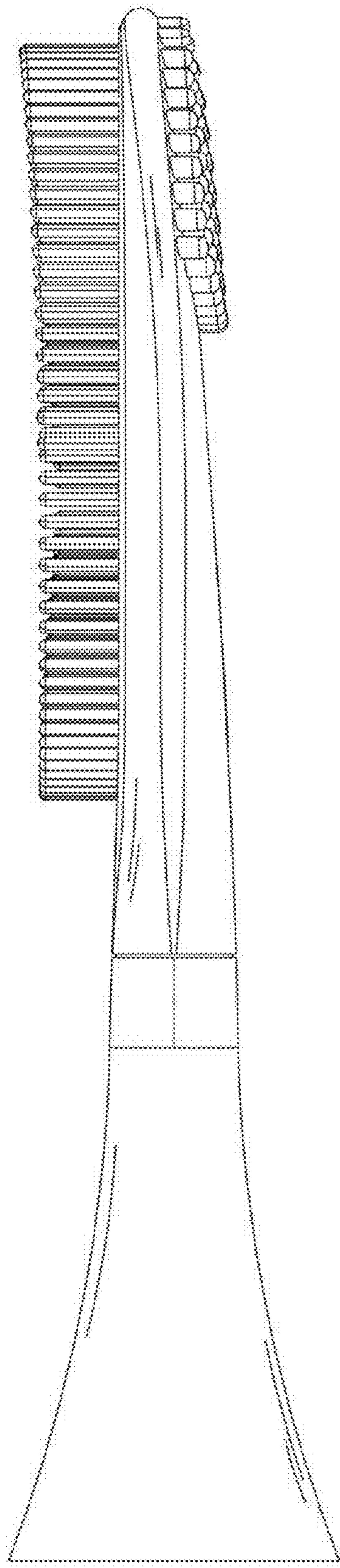


FIG.5

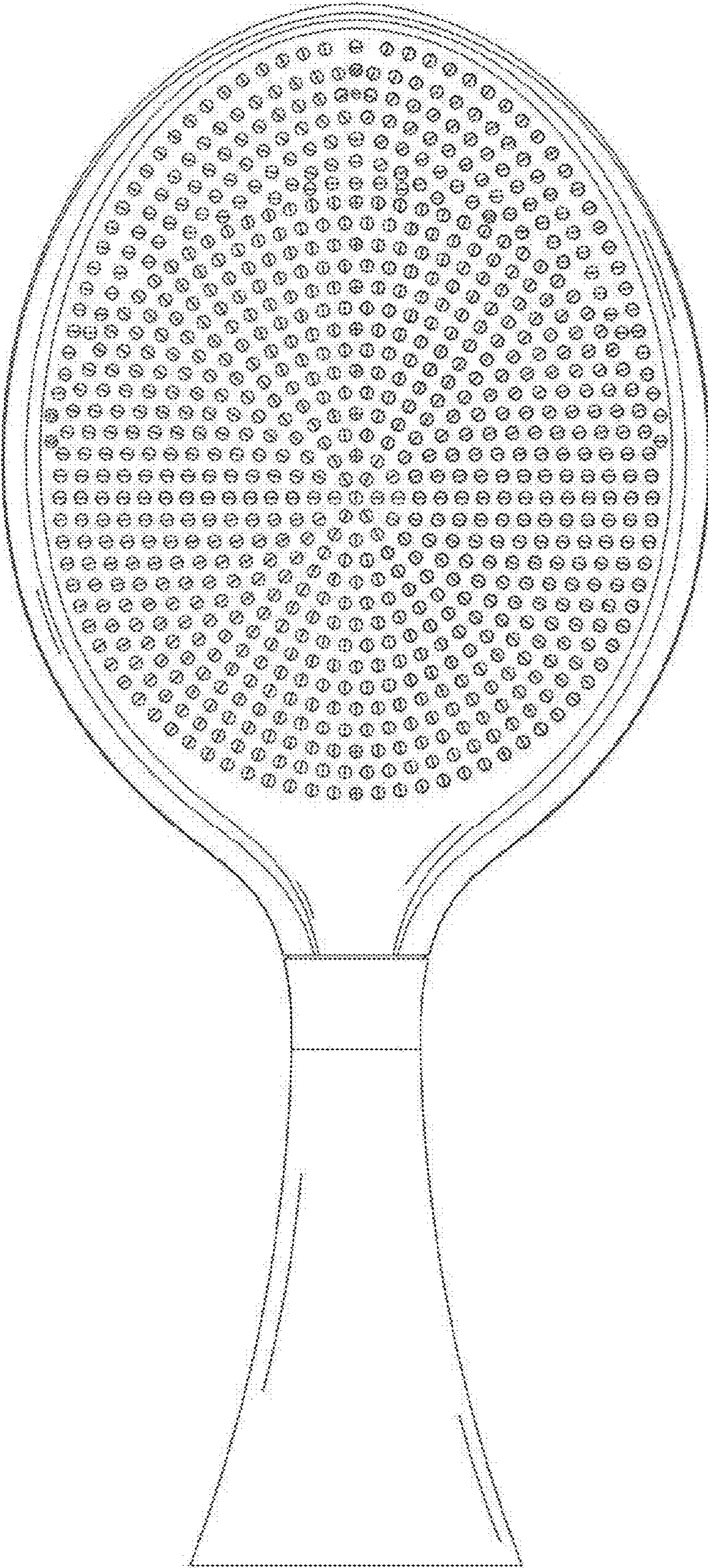


FIG.6

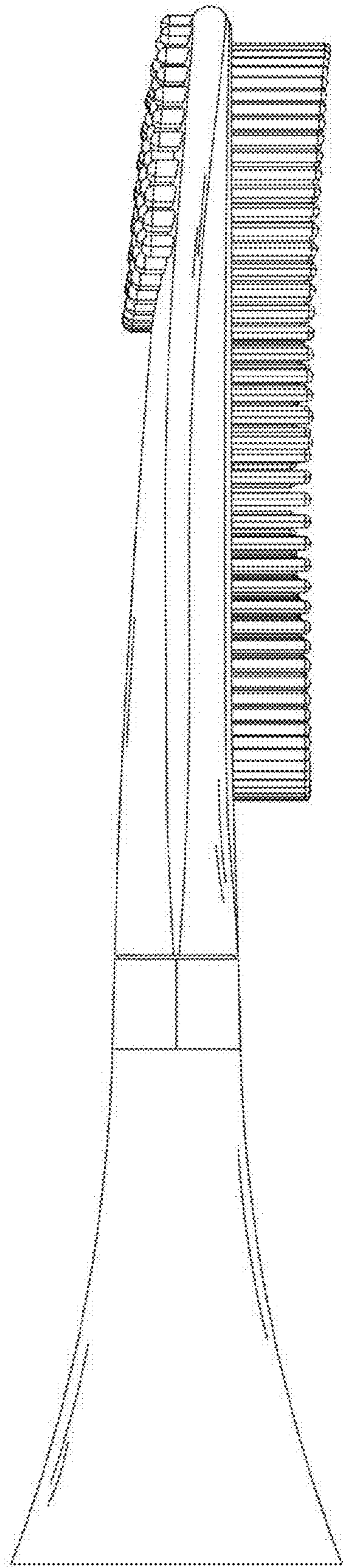


FIG.7