



US00D929129S

(12) **United States Design Patent**
Greenwood

(10) **Patent No.:** **US D929,129 S**
(45) **Date of Patent:** **** Aug. 31, 2021**

(54) **ROLLING TRAY**

(71) Applicant: **YouCopia Products Inc.**, Chicago, IL (US)

(72) Inventor: **Mark Greenwood**, Arlington Heights, IL (US)

(**) Term: **15 Years**

(21) Appl. No.: **29/727,561**

(22) Filed: **Mar. 11, 2020**

(51) **LOC (13) Cl.** **09-04**

(52) **U.S. Cl.**
USPC **D3/307**

(58) **Field of Classification Search**

USPC D3/272, 304–315, 318–319, 321, D3/901–902; D6/672–673, 675, 675.1, D6/683, 683.1, 583; D7/600, 600.1; D15/89; D34/17, 24
CPC ... B65D 1/00; B65D 1/22; B65D 1/24; B65D 1/34; B65D 1/36; B65D 1/38; B65D 1/225; B65D 1/243; B65D 5/00; B65D 5/42; B65D 7/14; B65D 11/00; B65D 11/14; B65D 11/20; B65D 19/00; B65D 19/02; B65D 21/00; B65D 21/02; B65D 43/162; B65D 71/0003; B65D 81/3813; B65D

(Continued)

(56) **References Cited**

U.S. PATENT DOCUMENTS

D265,768 S * 8/1982 Howley D19/90
D274,967 S * 8/1984 Taylor D3/304
D335,309 S * 5/1993 Evenson D19/75

(Continued)

OTHER PUBLICATIONS

Rolling Storage Bin with Wheels on the Bottom, first available Sep. 10, 2020, amazon.com [online], [site visited Apr. 8, 2021], Available at internet URL: <https://www.amazon.com/Rolling-Storage-Bin->

Wheels-Bottom/dp/B08HSDRJ1N/ref=asc_df_B08HSDRJ1N/?tag=hyprod-20&linkCode=df0&hvadid=497792254487&hvpos=&hvnetw=g&hvrnd=16430129264561417442&hvpone=&hvptwo=&hvqmt=&hvdev=c&hvdvcmld=&hvlocint=&hvlocphy=9008156&hvtargid=pla-1203432952703&psc=1 (Year: 2020).*

(Continued)

Primary Examiner — Jeffrey D Asch

Assistant Examiner — Caitlin A Laverty

(74) *Attorney, Agent, or Firm* — Lowe Graham Jones PLLC

(57) **CLAIM**

I claim the ornamental design for a rolling tray, as shown and described.

DESCRIPTION

FIGS. 1-7 show a first embodiment of a rolling tray, showing my new design.

FIG. 1 is a top perspective view of a rolling tray.

FIG. 2 is a front elevational view of the rolling tray, the rear elevational view being a mirror image.

FIG. 3 is a left side elevational view of the rolling tray.

FIG. 4 is a right side elevational view of the rolling tray.

FIG. 5 is a top plan view of the rolling tray.

FIG. 6 is a bottom plan view of the rolling tray.

FIG. 7 is a top perspective exploded view of a rolling tray.

FIGS. 8-13 show a second embodiment of a rolling tray.

FIG. 8 is a top perspective view of the rolling tray.

FIG. 9 is a front elevational view of the rolling tray, the rear elevational view being a mirror image.

FIG. 10 is a left side elevational view of the rolling tray.

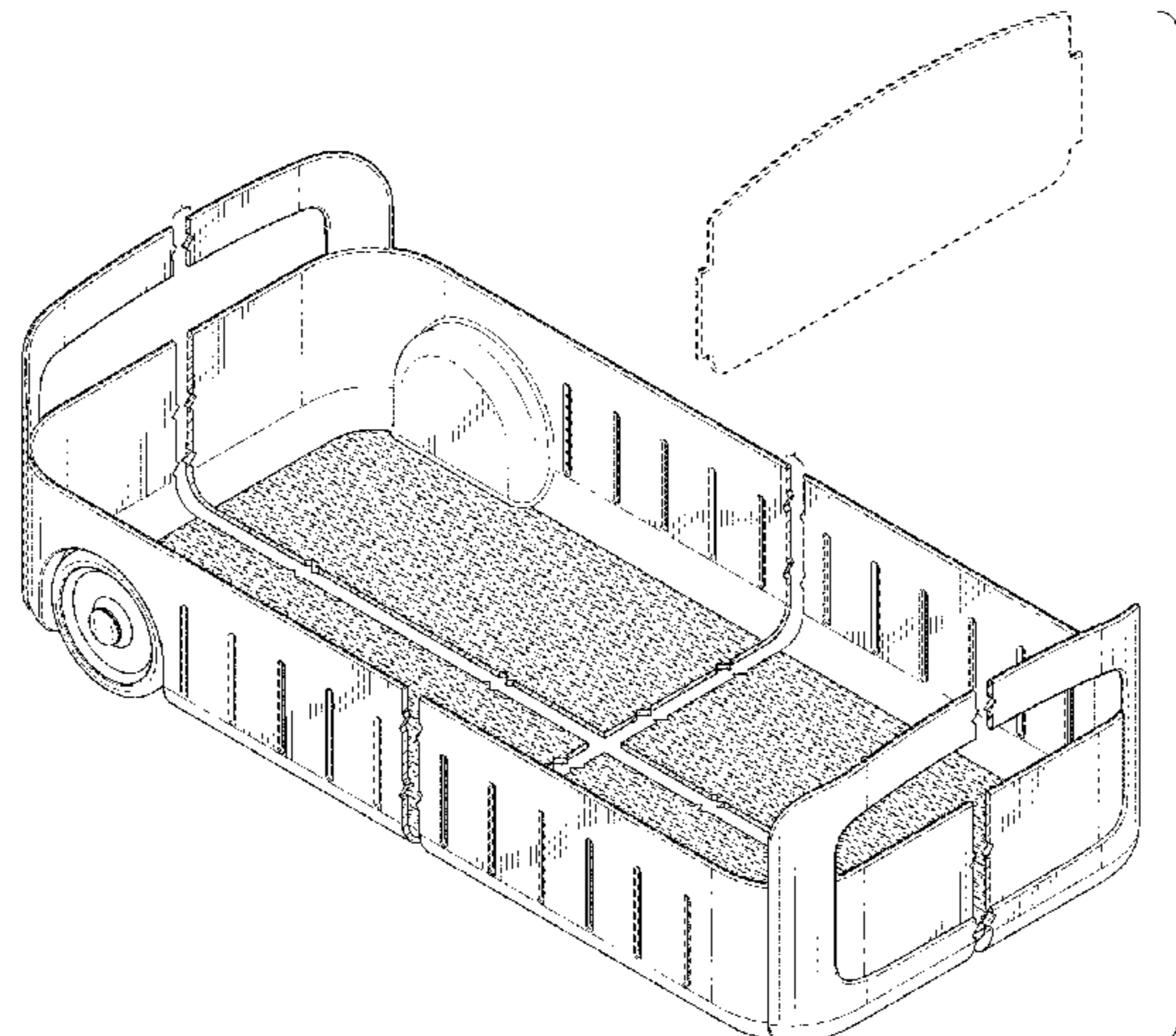
FIG. 11 is a right side elevational view of the rolling tray.

FIG. 12 is a top plan view of the rolling tray; and,

FIG. 13 is a bottom plan view of the rolling tray.

The broken lines depict portions of the article that form no part of the claimed design. The broken lines in FIG. 7 show environment of a divider forming no part of the claimed design. The rolling tray is shown with a symbolic break in

(Continued)



its length and width. The appearance of any portion of the article between the break lines forms no part of the claimed design.

1 Claim, 13 Drawing Sheets

(58) Field of Classification Search

CPC 81/02; B65D 2543/00194; B65D 2543/00296; B65D 2543/00222

See application file for complete search history.

(56)

References Cited

U.S. PATENT DOCUMENTS

D344,695	S	*	3/1994	Baumann	D12/223
D374,819	S	*	10/1996	Wells	D9/425
D387,558	S	*	12/1997	Mann	D3/307
D463,648	S	*	9/2002	Johnson	D34/12
D467,732	S	*	12/2002	Taylor	D3/304
D468,663	S	*	1/2003	Fan	D11/156
D530,919	S	*	10/2006	Snell	D3/304

D551,453	S	*	9/2007	Snell	D3/304
D555,904	S	*	11/2007	Snell	D3/304
D663,525	S	*	7/2012	Rhoades	D3/314
D734,611	S	*	7/2015	Baruch	D3/313
D743,171	S	*	11/2015	Reinhart	D3/304
D747,102	S	*	1/2016	Kraemer	D3/307
D772,575	S	*	11/2016	Stelmarski	D3/304
D781,585	S	*	3/2017	Levie	D3/310
D815,835	S	*	4/2018	Levie	D3/310
D874,827	S	*	2/2020	Li	D3/313
D884,347	S	*	5/2020	Nelson	D3/318
D904,030	S	*	12/2020	Piccininni	D3/304
2016/0107803	A1	*	4/2016	Reinhart	B65D 43/0208 220/315

OTHER PUBLICATIONS

RollOut Under Sink Caddy, 5", unknown first available date, youcopia.com [online], [site visited Apr. 8, 2021], Available at internet URL: https://youcopia.com/collections/woomaker/products/rollout-under-sink-caddy-5?_pos=2&_sid=2d1aad7de&_ss=r (Year: 2021).*

* cited by examiner

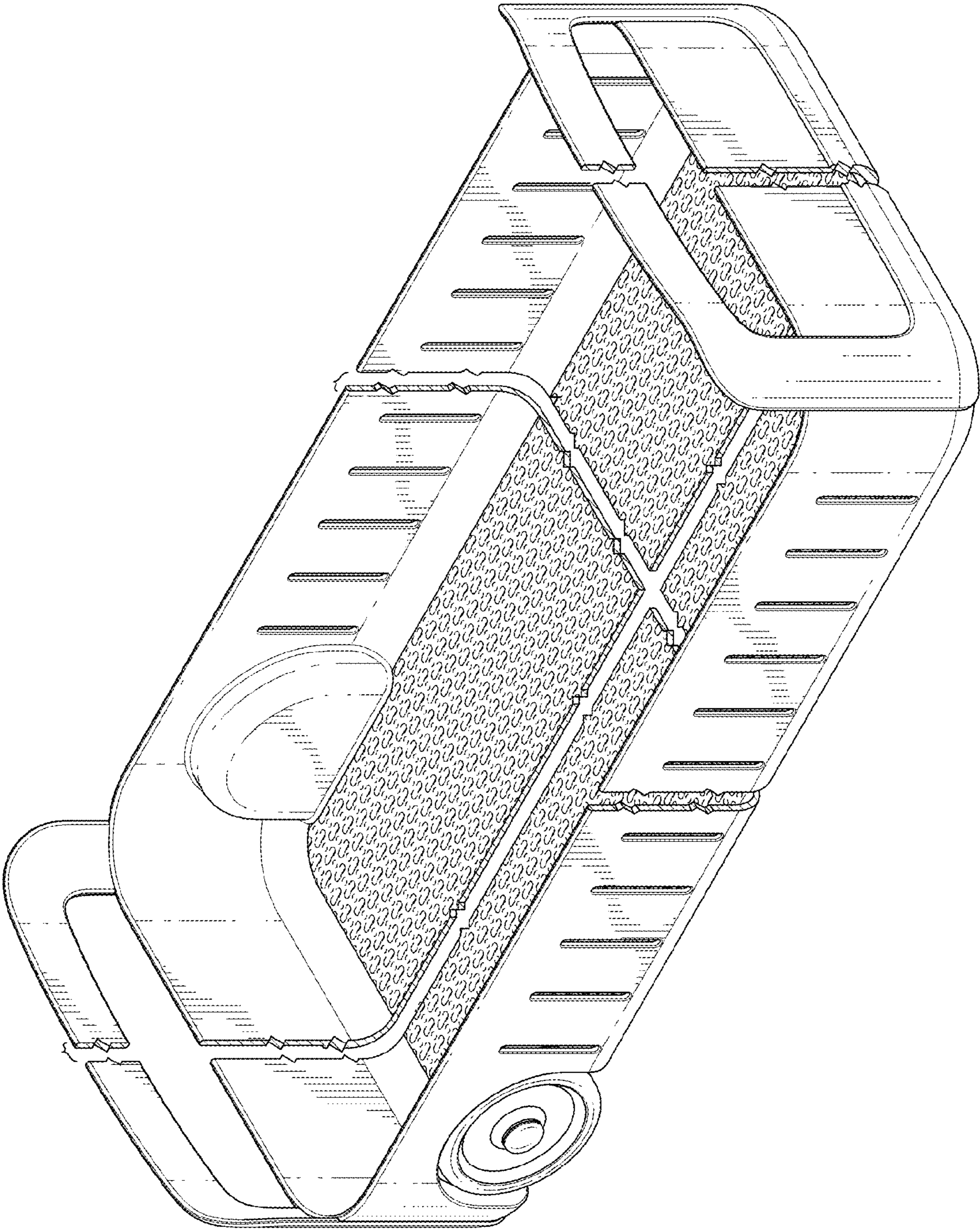


FIG.1

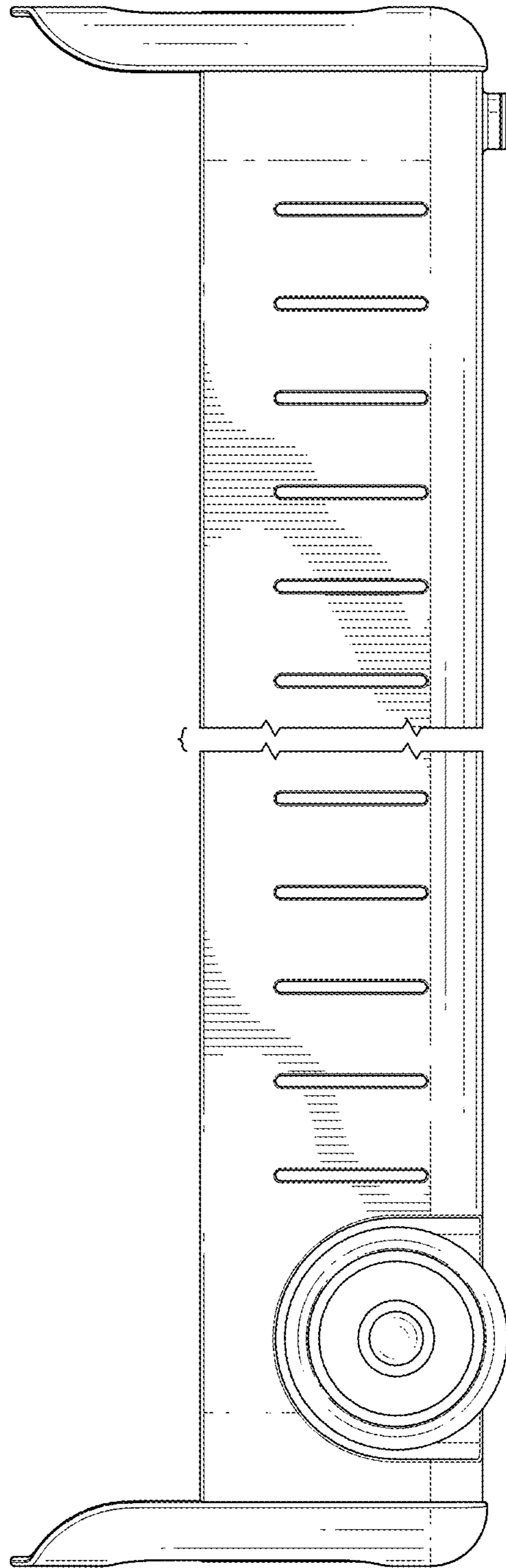


FIG. 2

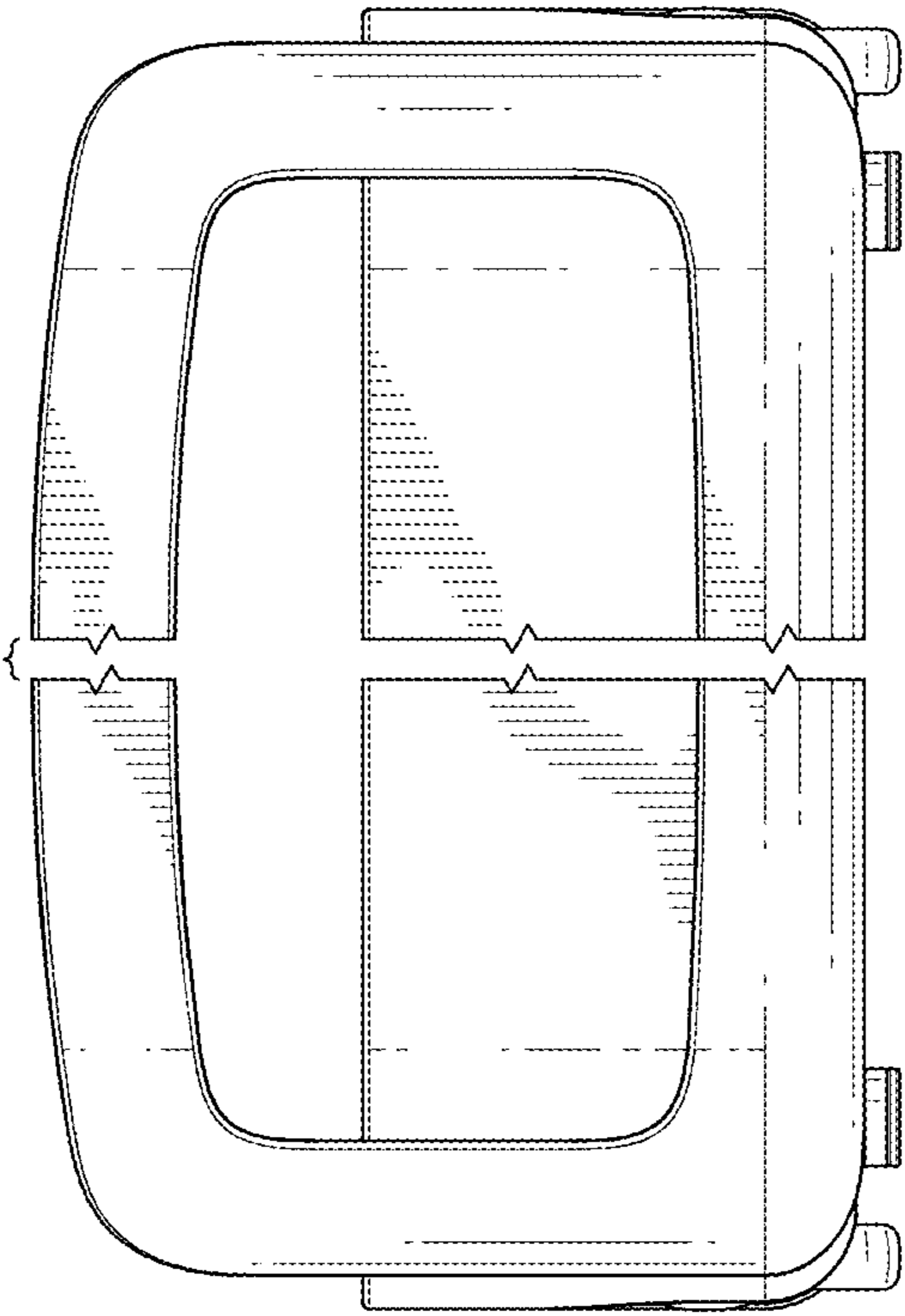


FIG.3

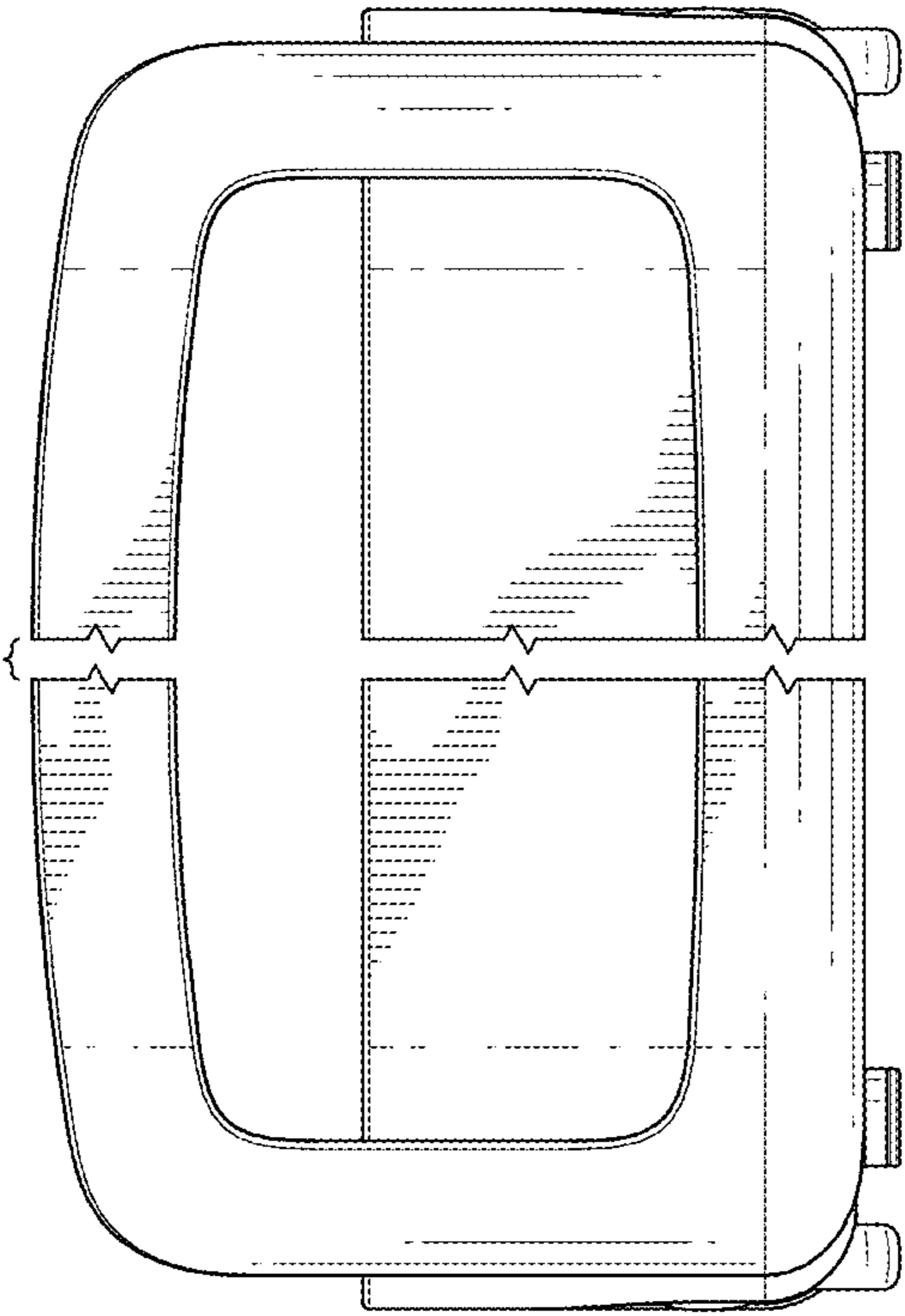


FIG.4

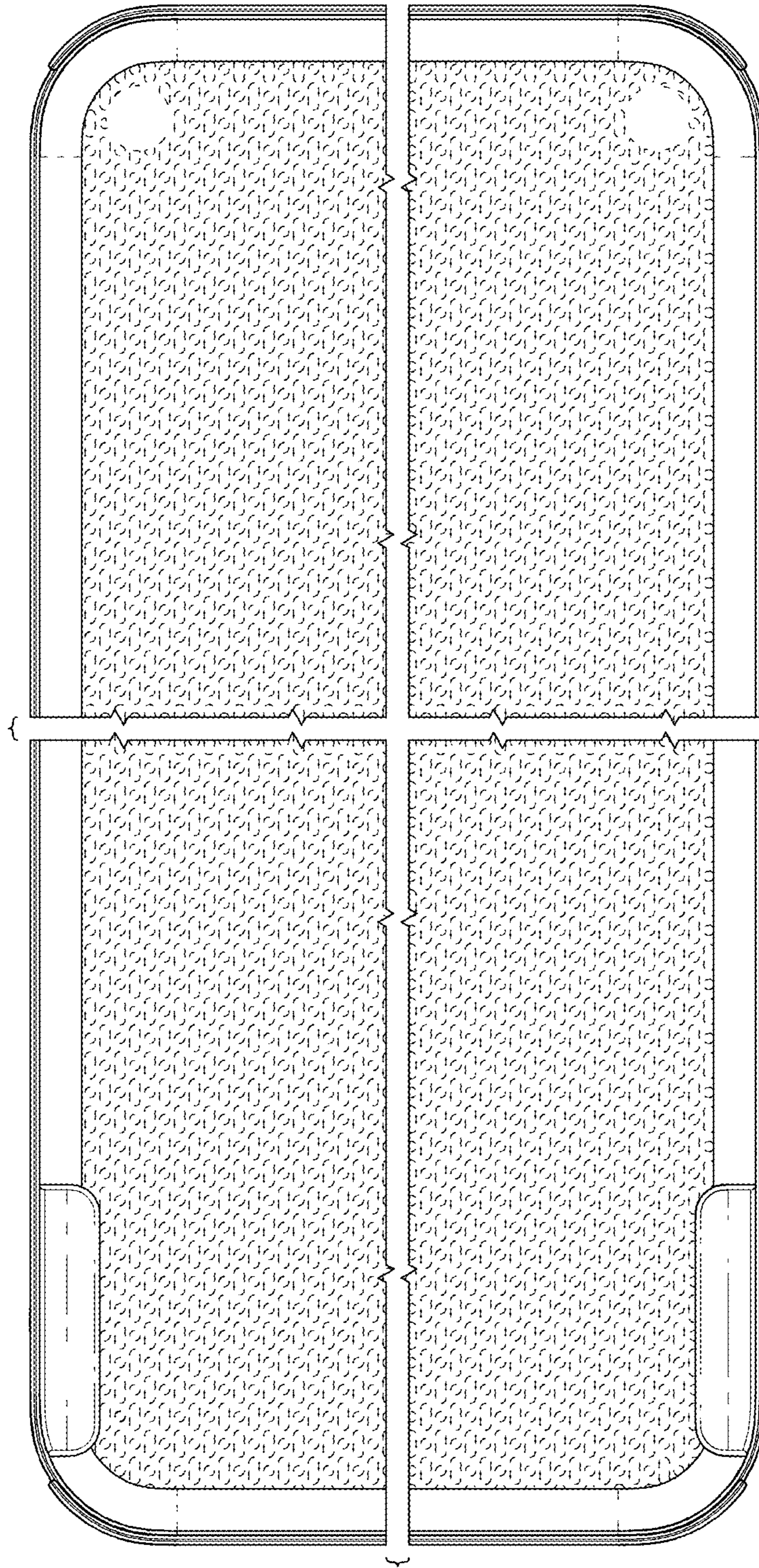


FIG. 5

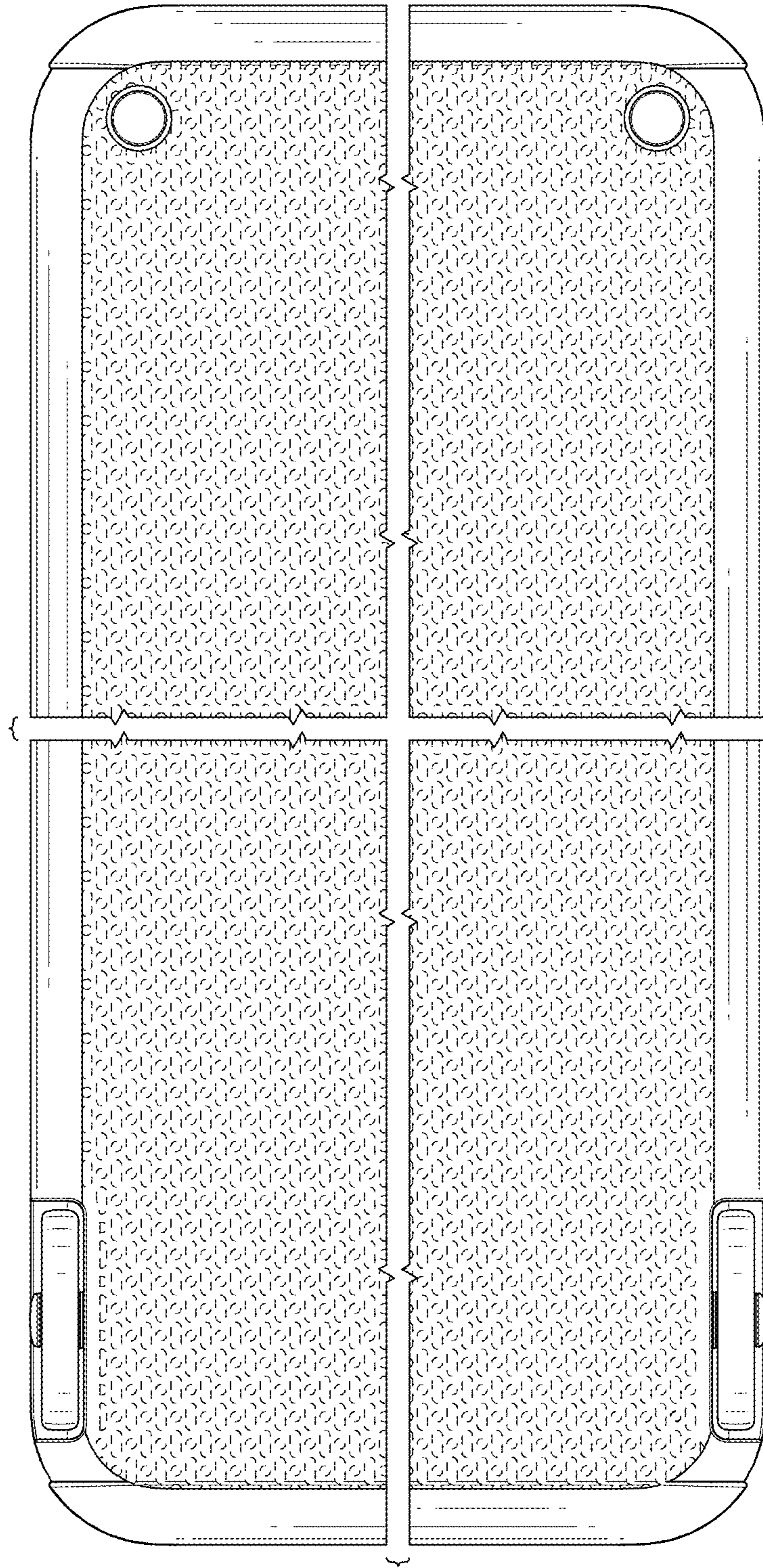


FIG. 6

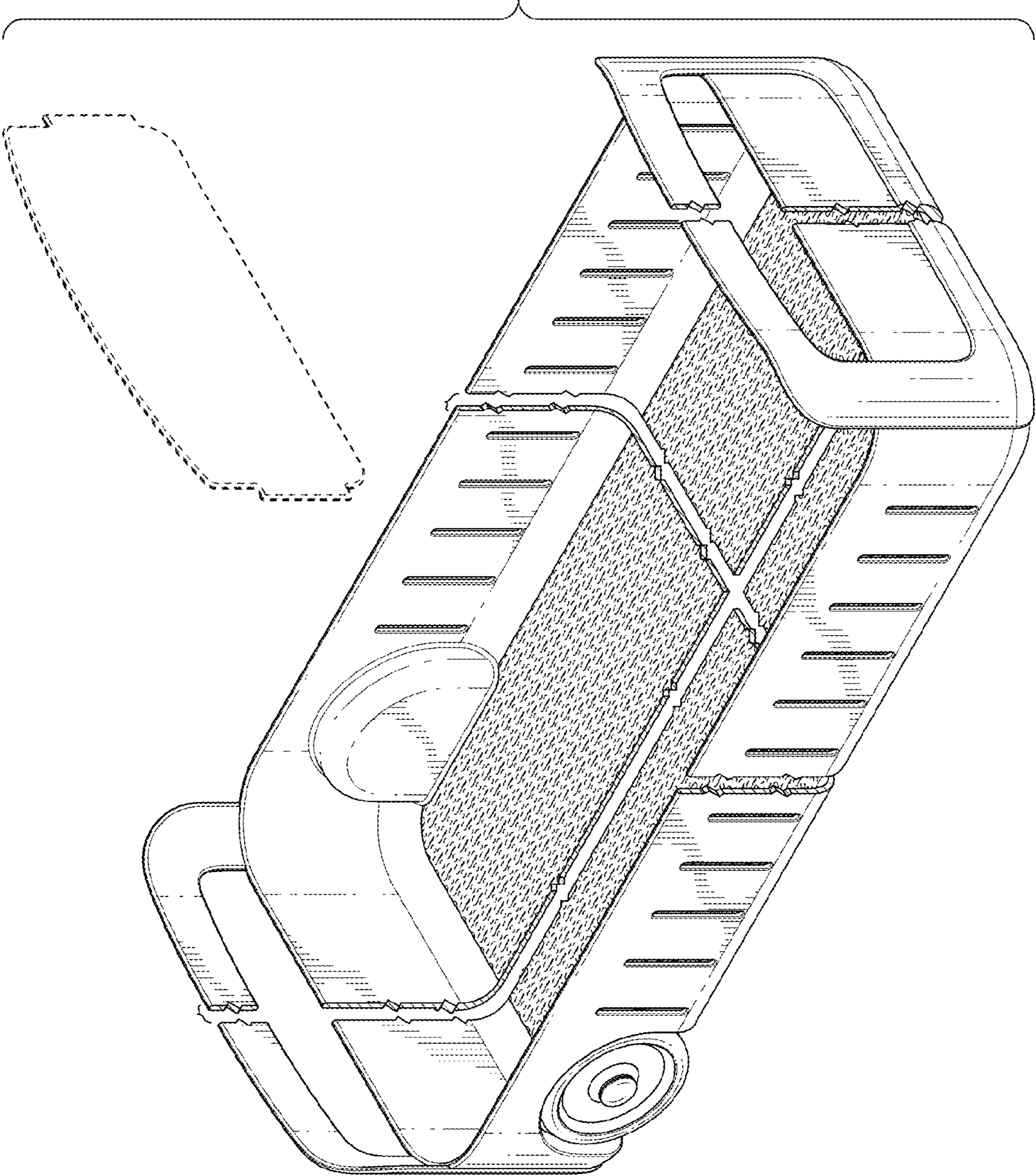


FIG. 7

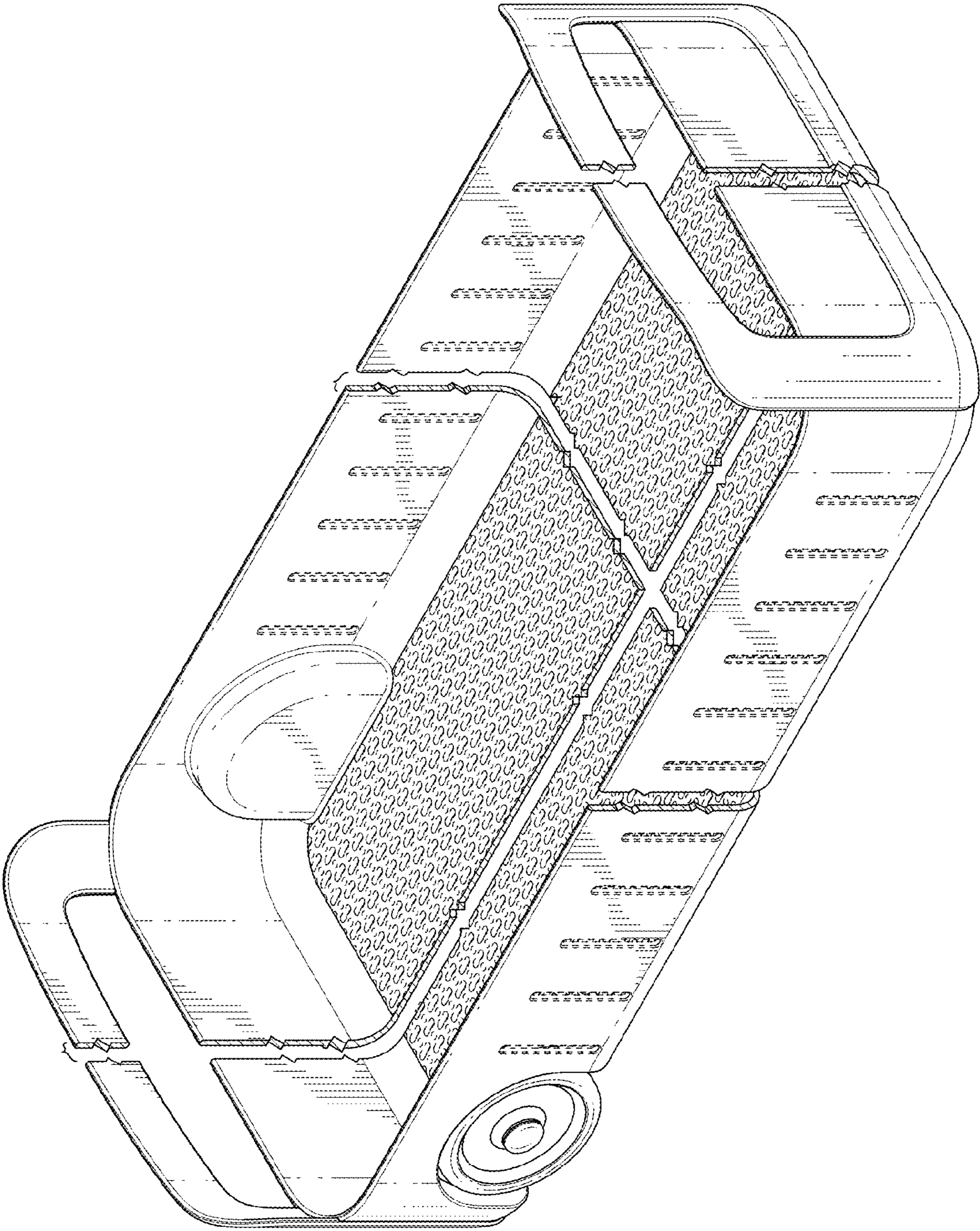


FIG.8

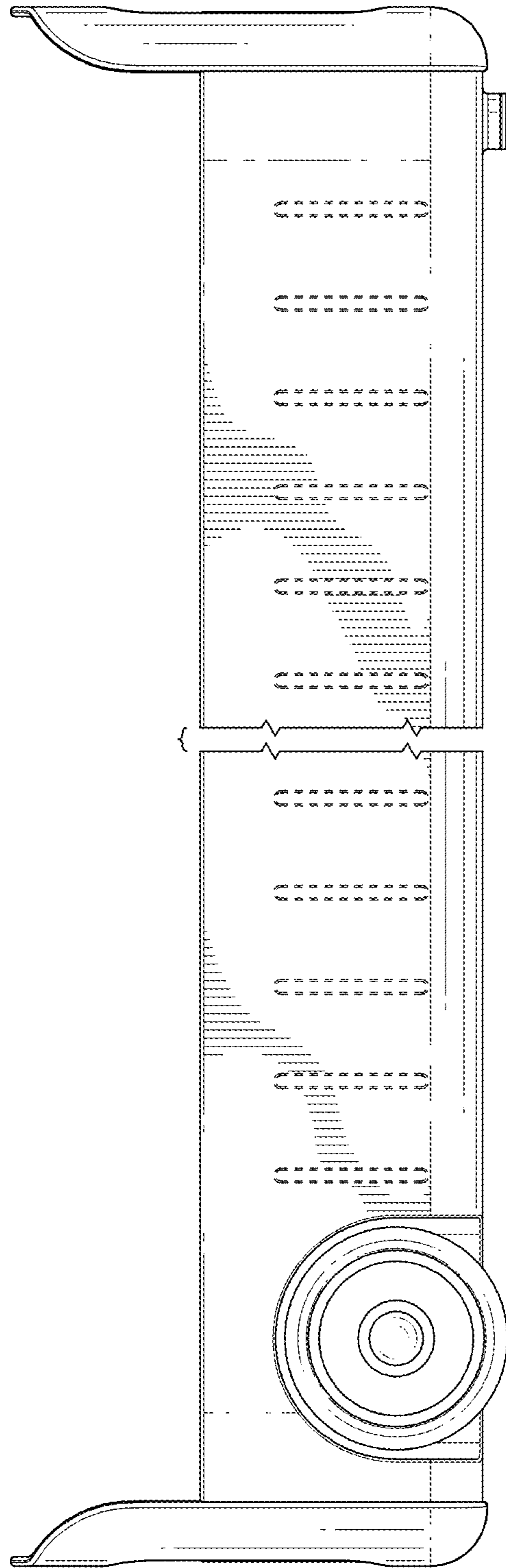


FIG. 9

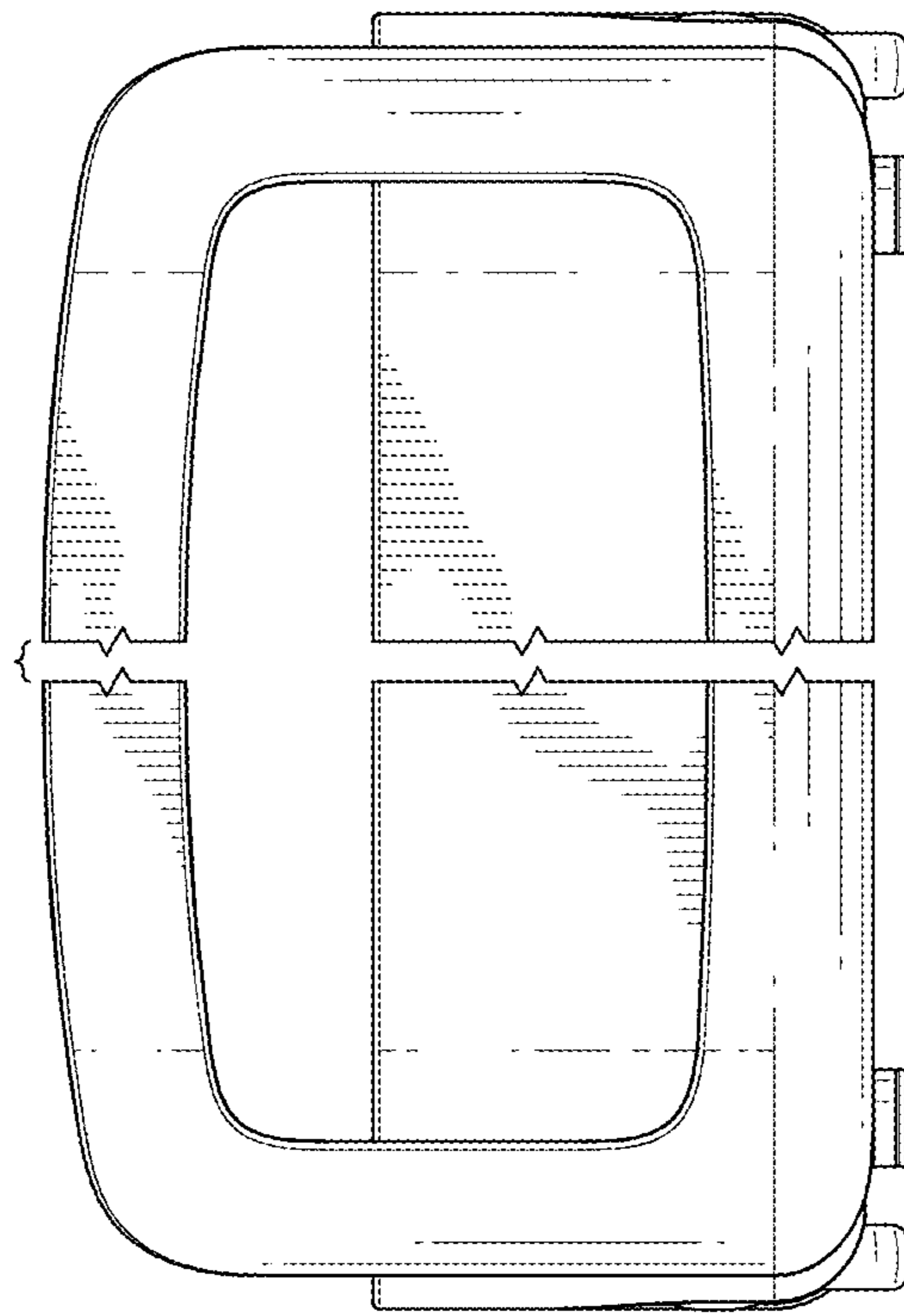


FIG. 10

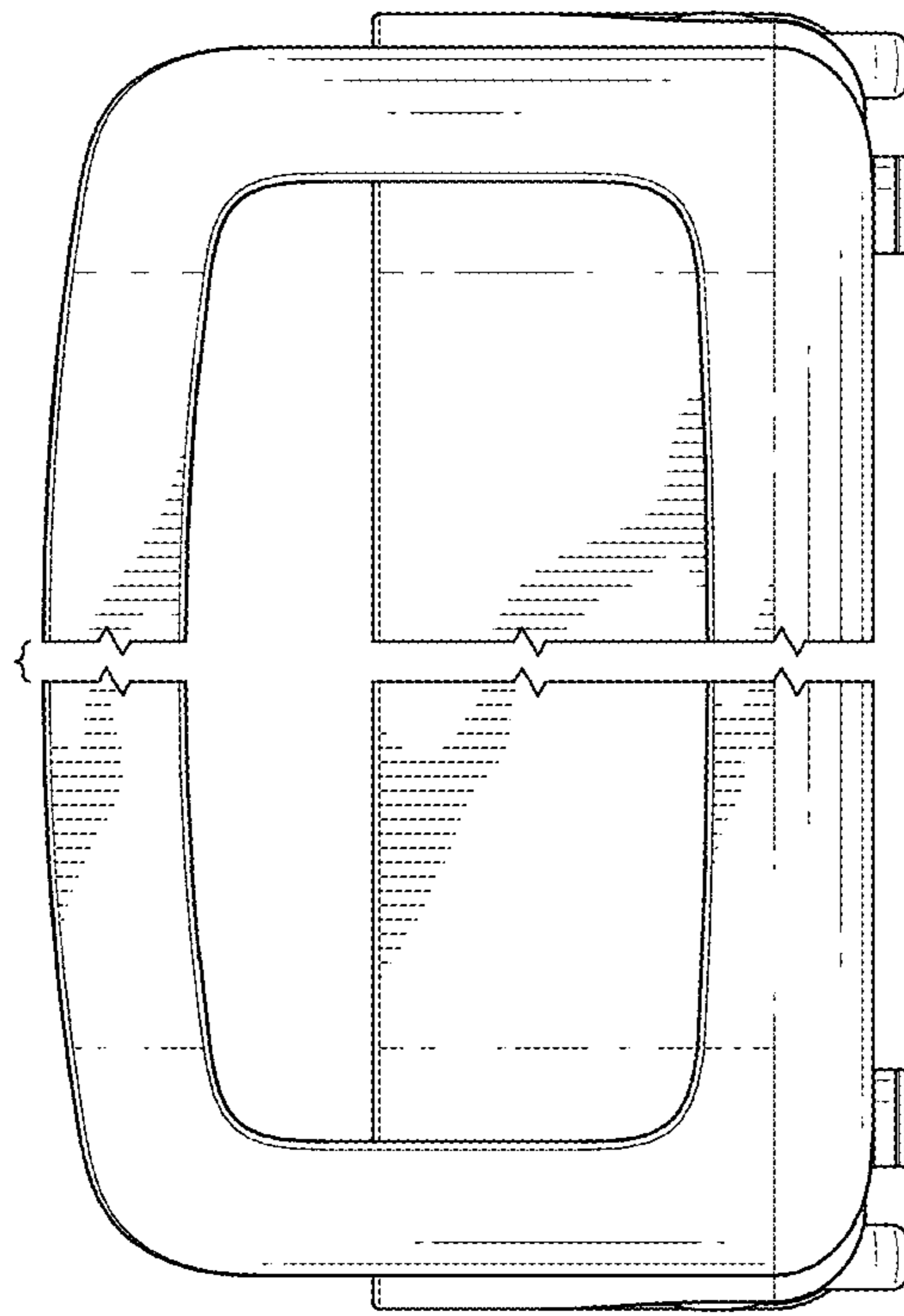


FIG.11

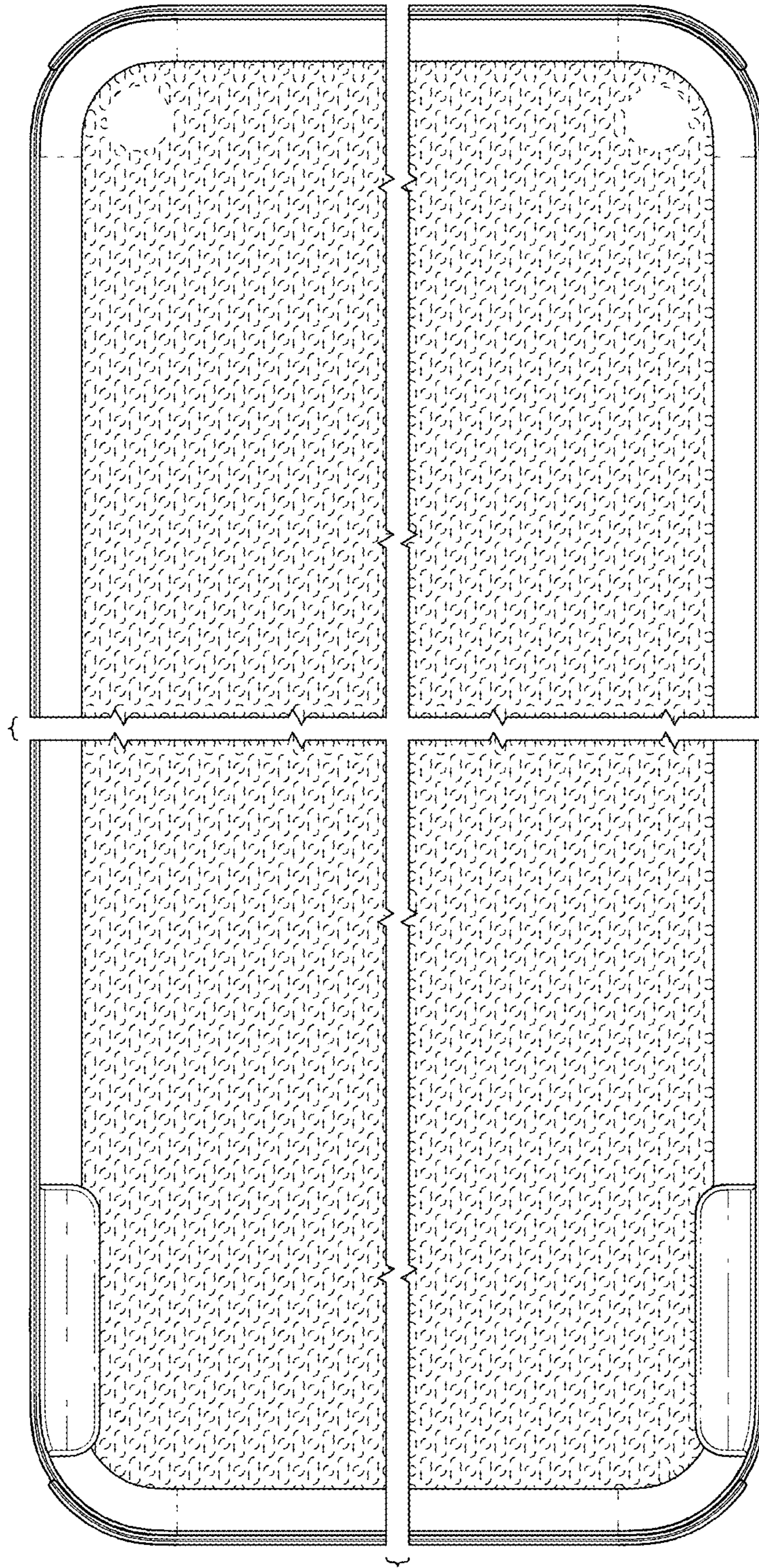


FIG. 12

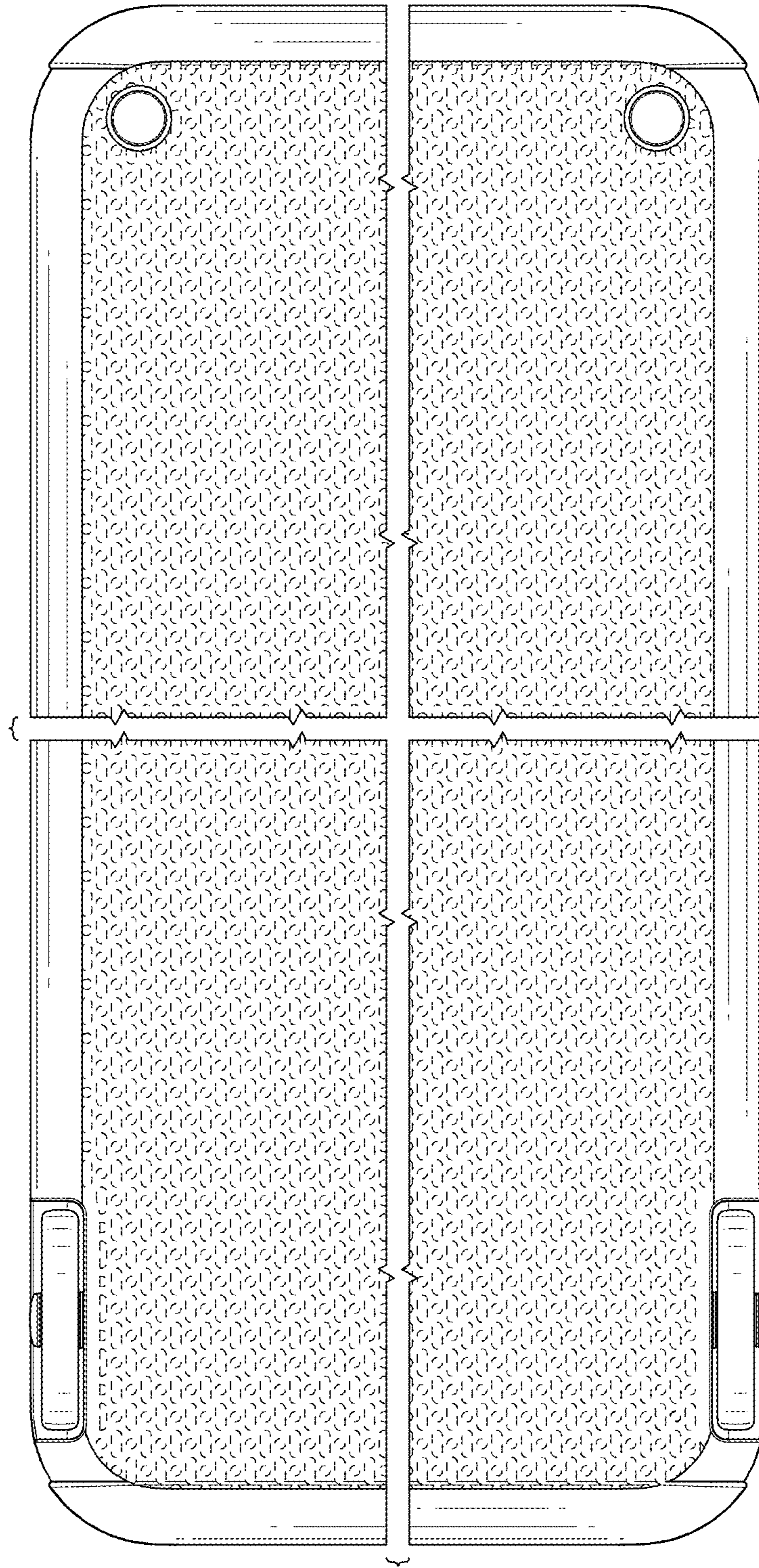


FIG. 13